



**COMFY**  
**CALF** Suites

## THE TRUSTED SOLUTION FOR RAISING CALVES INDOORS.

INNOVATIVE • ERGONOMIC • LABOR-EFFICIENT • DURABLE

### FEATURES

- No more feeding calves outside. Comfy Calf Suites makes feeding easier for you.
- Calves are easier to see in the Comfy Calf Suites compared to enclosed shelters.
- Better air quality improves the health of your calves.
- Plastic dividers isolate each calf, keeping your calves healthy.
- Dividers remove quickly and easily when required. Cleaning is simple and removal of dividers makes group penning an option as your calves mature.
- Vented back wall allows fresh air to flow through the Comfy Calf Suite, removing airborne organisms, dust, odors and excess moisture.
- Lower panels of the vented back wall allow calves to nest during colder temperatures.
- Available in various sizes and with various options to suit your requirements.

**NEW**



"Dealing with baby calves in the BSM (brand) individual Calf Suite has made life much easier. Labor time has been cut in half. No more bending over to get inside a covered hutch."  
Dennis Rieman, Rieman-way Dairy, Ohio



Visit [www.comfycalfsuits.com](http://www.comfycalfsuits.com)  
for more information, photos,  
testimonials and a video!



## STANDARD SIZES OR CUSTOM OPTIONS

Choose from standard sizes or customize to suit your needs:

### STANDARD SIZES:

On center stall widths: 36" (91.4 cm), 42" (106.7 cm), 48" (121.9 cm)  
 Pen lengths: 72" (182.9cm), 96" (243.8cm)  
 Panel heights: 41" (104.1cm), 51" (129.5cm)

### SAMPLES OF CUSTOM REQUESTS:

- Custom front widths
- Special divider lengths
- Freestanding suites
- Fronts with headlocks
- Custom wall attachments



## ACCESSORIES

### EACH COMFY CALF SUITES PACKAGE INCLUDES:

- Plastic planks that snap together with stainless steel end channels to create panels.
- Galvanized double posts or hoop style post to hold swinging front gate and keeps dividers in place.
- Galvanized dual pail holder.
- Pull out handles on panels.
- Identification card and clip for calf information included with double post.
- Two white pails for milk, water or grain.
- Stainless steel, quick-attach bracket to mount panel divider to back wall.
- Galvanized front spindle gate for suite front.

### ADDITIONAL ACCESSORIES

- A calf pail hold-down which prevents calves from dislocating pails.
- A calf bottle holder.
- Stainless steel pail divider.
- A manual lock and flipper to lock a calf's head forward.
- Hay feeder.



## ASSEMBLY

### STEP #1

#### STEP #1

SNAP PLANK TOGETHER AS SHOWN.  
SNAP CAP ON LAST TO COMPLETE PANEL.

#### STEP #2

FASTEN HANDLE TO CHANNEL (OPTIONAL)  
BOLT ON CHANNEL w/SUPPLIED HDW.

#### STEP #3

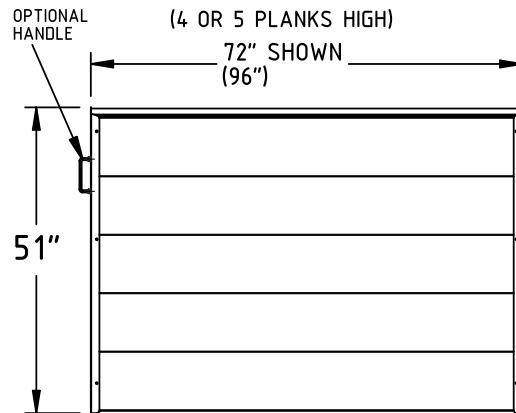
INSTALL DBL POSTS, 36", 42", 48" O.C.  
HANG GATES AND INSTALL LATCH.

#### STEP #4

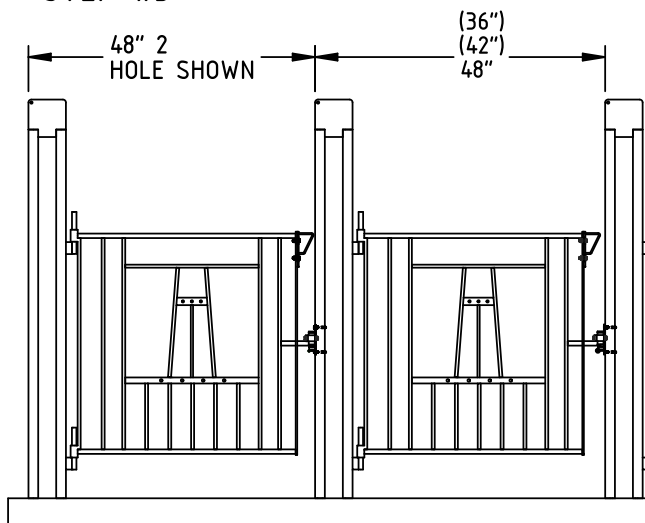
INSTALL 24" WIDE CHANNEL AT BACK.  
SLIDE PANEL THRU POST INTO 24" CHANNEL.  
INSTALL EYE BOLT TO SECURE PANEL.



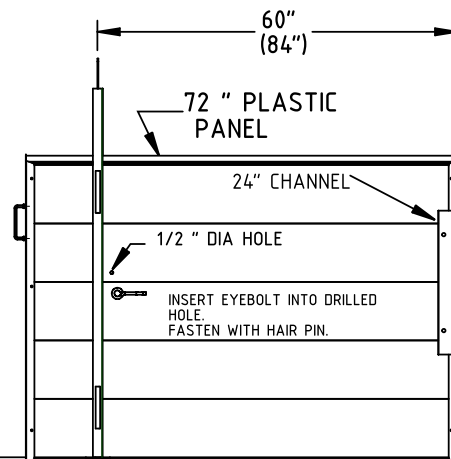
### STEP #2



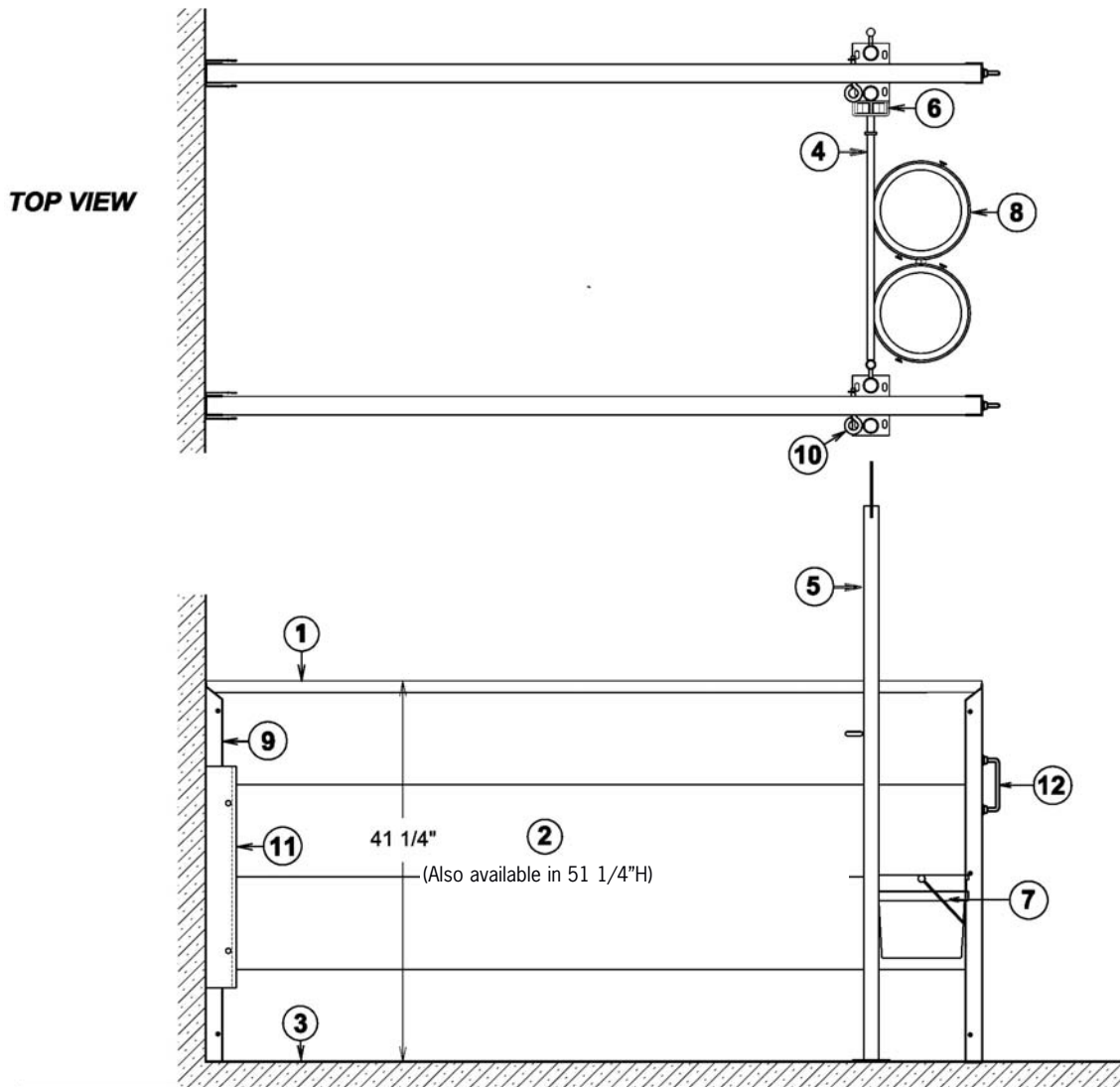
### STEP #3



### STEP #4

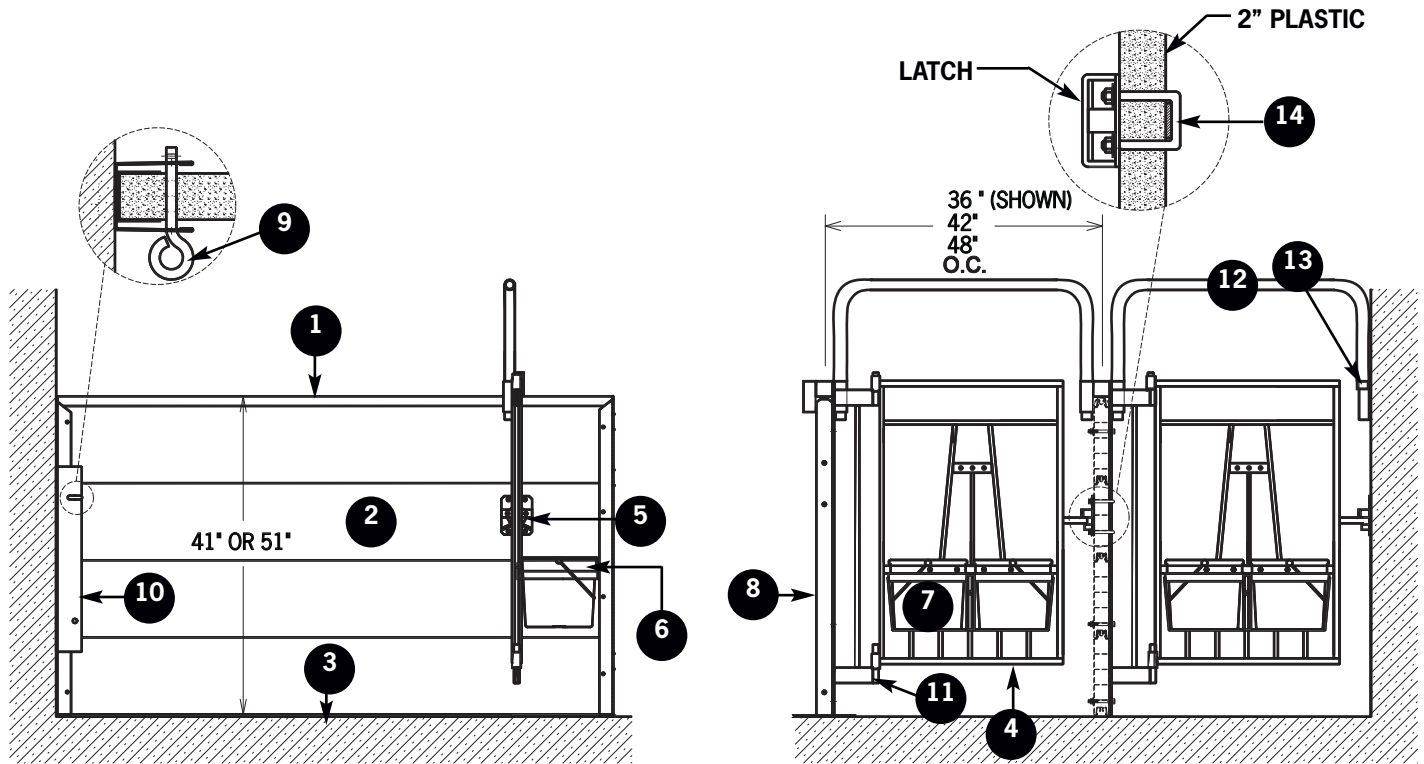


## ASSEMBLY



ILLUS.	DESCRIPTION	PART #
1	PL CAP 1.5" X 24' (cut to size)	2013124
2	PL PLANK 10" X 24' (cut to size)	2013024
3	BOTTOM PLUG/PLNK 20' LG (cut to size)	2013220
4	GALV. 36" O.C. CALF FRONT (shown)	1241136
N/S	GALV. 42" O.C. CALF FRONT (optional)	1241142
N/S	GALV. 48" O.C. CALF FRONT (optional)	1241148
5	GALV. 60" DBL POST BOLT DOWN	1240200
6	GALV 2-WAY CALF LATCH (1 ONLY)	1240100
7	GALV. DBL PAIL HOLDER + HDW.	1241210
8	PLASTIC CALF PAIL (WHITE)	1235033
9	41" SS CHANNEL (20 GA.)	1240041
N/S	51" SS CHANNEL (20 GA.)	1240051
10	EYE PIN+HAIRPIN (BAG 5)	1240225
11	SS 24" MOUNT CHANNEL (20 GA.)	1240226
12	BAG OF 5 HANDLES & HDW ZP	1240250

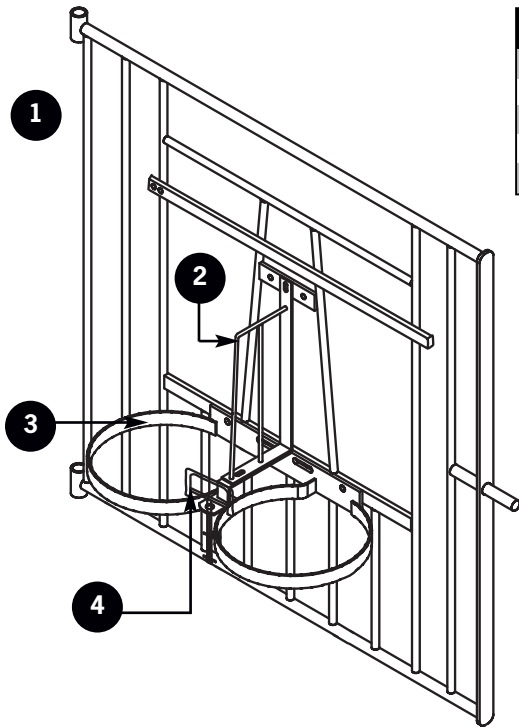
## ASSEMBLY



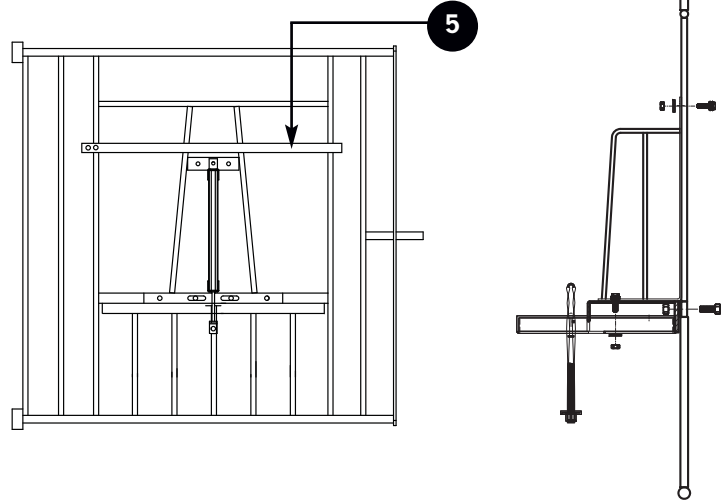
ILLUS.	DESCRIPTION	PART #
1	PLASTIC CAP 1.5" X 72" (OR 96" LG)	2013130-72 / 2013130-96
2	PLASTIC PLANK 10" X 72" LG (OR 96" LG)	2013030-72 / 2013030-96
3	BOTTOM PLUG / PLANK 20' LG (cut to size)	2013220
4	GALVANIZED CALF FRONT ONLY - 36"	1241136
	42"	1241142
	48"	1241148
5	GALVANIZED 2-WAY CALF LATCH	1240100
6	GALVANIZED DBL PAIL HOLDER + HDW	1241210
7	PLASTIC CALF PAIL (WHITE)	1235033
8	STAINLESS STEEL CALF CHANNEL (20 GA) + PLATE 41" HIGH	1270041
	51" HIGH	1270051
9	BAG OF 5 EYE PIN + HAIR PIN / QUICK RELEASE	1240225
10	STAINLESS STEEL 24" MOUNT CHANNEL / CALF SUITE	1240226
11	HINGE STRAP / CALF SUITE - 41" LG	1275241
	51" LG	1275251
12	33" OD CALF ARCH (36" O.C. PEN)	1290136
	(42" O.C. PEN)	1290142
	(48" O.C. PEN)	1290148
13	FORMED CLAMP (1" PIPE) (FOR ROW END ONLY)	2060260
14	SQUARE U-BOLT 1.75" ID X 3" LG. (3/8" DIA.)	1270260

# CALF PAIL HOLDER & HOLD DOWN ASSEMBLY

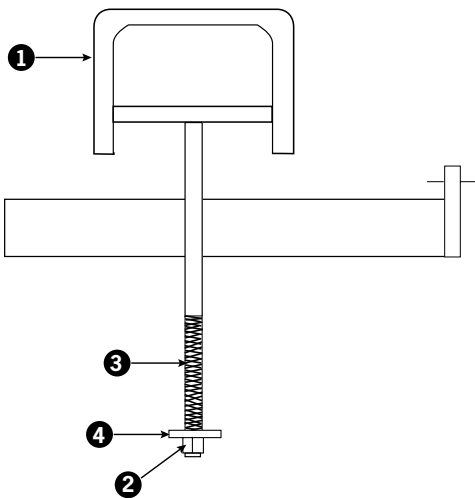
## 1241148 CALF PAIL HOLDER ASSEMBLY



ILLUS.	DESCRIPTION	PART #	QTY
1	2 HOLE CALF FRONT (48"OC shown)	1241148	1
2	NEW 1 PC STAINLESS STEEL PAIL DIVIDER + HDW	1241280SS-ND	1
3	GALV. DBL PAIL HOLDER ONLY	1240210A	1
4	CALF PAIL HOLD DOWN ASSEMBLY	1241011	1
5	CALF HOLE REDUCER	1241120	1



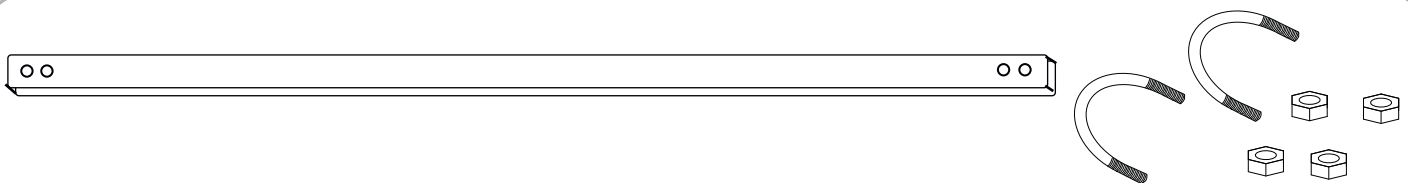
## 1241011 CALF PAIL HOLD DOWN ASSEMBLY



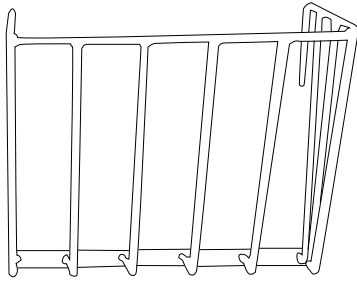
- 1) Insert hold down handle through the hole in the hole in the angle.
- 2) Slide the spring on from the bottom.
- 3) Pull spring up and install heavy washer & lock nut.

ILLUS.	DESCRIPTION	PART #	QTY
1	HOLD DOWN HANDLE		1
2	3/8" LOCK NUT	NUT3/8LN	1
3	SPRING	1310154	1
4	HEAVY WASHER	W-179	1

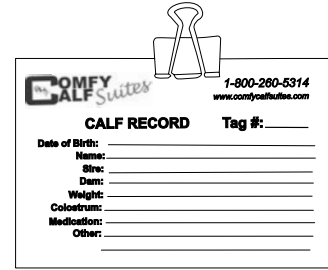
## 1241120 CALF HEAD HOLE REDUCER



**1235030**  
HAY FEEDER



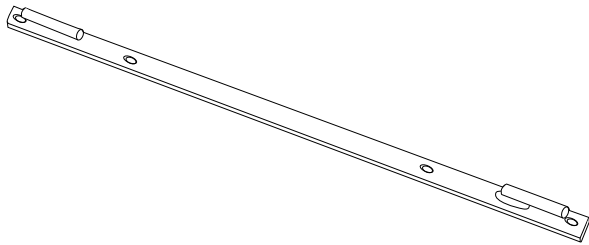
**CALFCARD-50**  
COMFY CALF SUITE RECORD CARD  
(BOX 50)



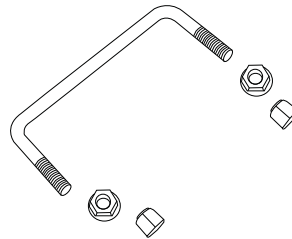
**2060892**  
CARD HOLDER CLIP

## PARTS

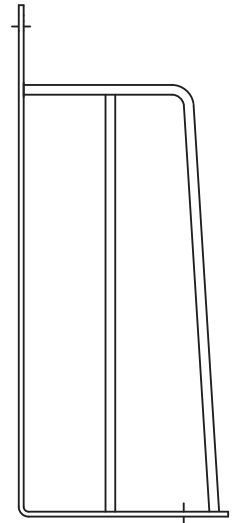
**1240205**  
WALL STRAP & HINGE



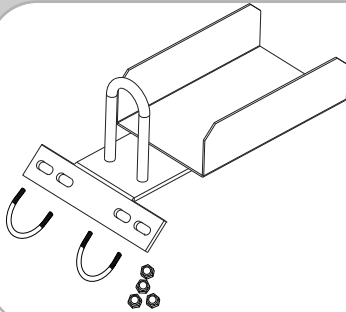
**1240250**  
BAG OF 5 HANDLES



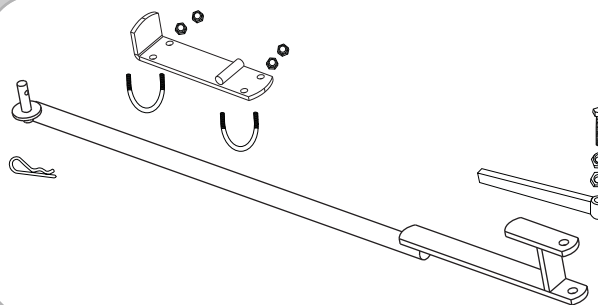
**1241280SS-ND**  
CALF PAIL DIVIDER



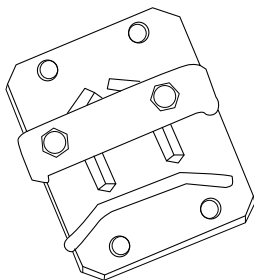
**1240235**  
BOTTLE HOLDER + HDW



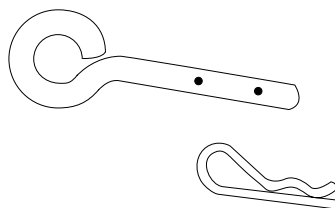
**1240245PK**  
MANUAL LOCK & FLIPPER PACKAGE



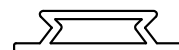
**1240100**  
GALV. 2-WAY CALF LATCH (1 ONLY)  
(NO U-BOLTS)



**1240225**  
BAG OF 5 EYE PIN + HAIR PIN / QR



**2013220**  
BOTTOM PLUG/20' PLANK  
**2013224**  
BOTTOM PLUG/24' PLANK



## Stationary Style

\*\* Easy order packages include double post, plank divider and hardware, calf front, latch, pails, pail holder, quick attach. Just add a row end if required. See page CALF SUITES-P1.\*\*  
**NOTE: Back wall NOT INCLUDED in package.**

### Comfy Calf Suites as Parts

1. **Order fronts**                   - Specify length  
                                          - One for each suite
  
2. **Order double posts & wall hinges**  
OR                                   - one double post for each pen & end of row  
                                          - order 1 wall hinge for end of row, instead of double post
  
3. **Order side panels**           - one for each double post  
                                          - 6' & 8' panels can be purchased as complete packages  
                                          - other sizes should be ordered as parts
  
4. **Order latches**               - these are available individually  
                                          - order u-bolts separately
  
5. **Order hardware packages**  
                                          - specify post style or hoop style
  
6. **Order accessories**       - pail holders, pails, pail hold-downs, pail dividers,  
                                          hay feeders, anchors
  
7. **Order optional parts**
  1. **Galvanized Manual Lock & Flipper** - turns the calf front into a locking front for calf management duties
  2. **Galvanized Bottle Holder** - holds standard milk bottles (4" square)



# HOOP STYLE COMFY CALF SUITES

## INSTALLATION INSTRUCTIONS



Installation or product problems? Call 1-800-260-5314

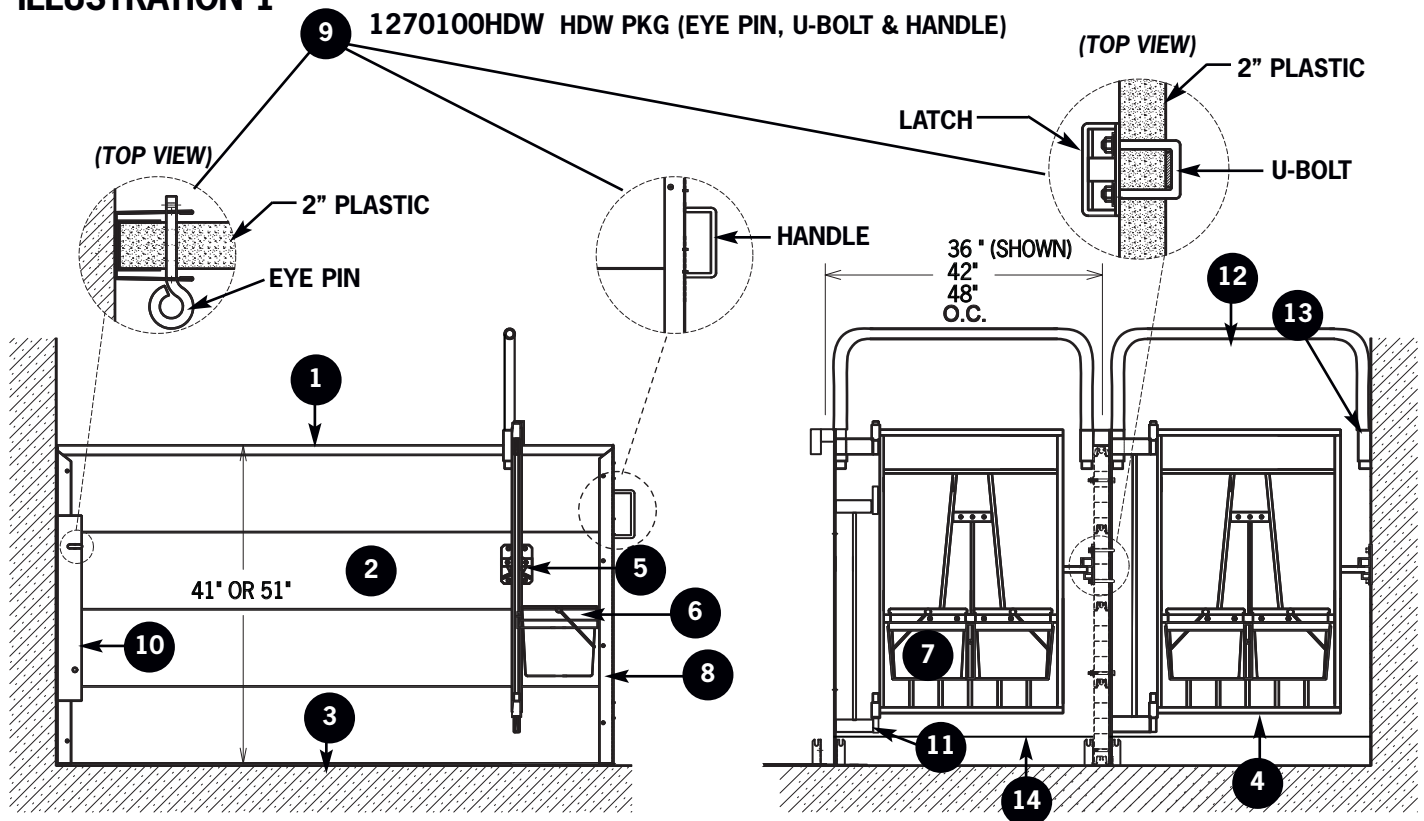
# COMFY CALF SUITES - HOOP STYLE



Congratulations on the purchase of Comfy Calf Suites! These instructions will guide you through the installation process and identify parts and accessories so please read through them and save them for future reference.

ILLUS.	DESCRIPTION	PART #
1	PLASTIC CAP 1.5" X 72" (OR 96" LG)	2013130-72 / 2013130-96
2	PLASTIC PLANK 10" X 72" LG (OR 96" LG)	2013030-72 / 2013030-96
3	BOTTOM PLUG / PLANK 20' LG (cut to size)	2013220
4	GALVANIZED 24" FRONT (2 HOLE) (36" OC PEN)	1241136
	GALVANIZED 30" FRONT (2 HOLE) (42" OC PEN)	1241142
	GALVANIZED 36" FRONT (2 HOLE) (48" OC PEN)	1241148
5	GALVANIZED 2-WAY CALF LATCH	1240100
6	GALVANIZED DBL PAIL HOLDER ONLY	1241210A
7	PLASTIC CALF PAIL (WHITE)	1235033
8	STAINLESS STEEL CALF CHANNEL (20 GA) 41" HIGH	1240041
	51" HIGH	1240051
9	HDW PKG (HOOP SUITE) INCL U-BOLT, EYE PIN & HANDLE	1270100HDW
10	STAINLESS STEEL 24" MOUNT CHANNEL / CALF SUITE	1240226
11	HINGE STRAP / CALF SUITE - 41" LG	1275241
	51" LG	1275251
12	33" OD CALF ARCH (36" O.C. PEN)	1290136
	(42" O.C. PEN)	1290142
	(48" O.C. PEN)	1290148
13	FORMED CLAMP (1" PIPE) (FOR ROW END ONLY)	2060260
14	GALVANIZED 32 3/4" RETAINER CHANNEL (36" OC PEN)	1240264-36
	GALVANIZED 38 3/4" RETAINER CHANNEL (42" OC PEN)	1240264-42
	GALVANIZED 44 3/4" RETAINER CHANNEL (48" OC PEN)	1240264-48

## ILLUSTRATION 1



## INSTALLATION:

**Step #1:** Install handle to front channel (2 flange nuts on outside and 2 nylon locks on inside of channel). **\*TIGHTEN\***. Snap planks together for dividers.

! **TIP: Slide hoop strap onto divide before putting channels on planks.**

Install front and back channels, then snap on top cap. Drill through plastic with a 1/4" bit, then fasten channels with 1/4" x 2 1/2" hex bolts.

**Step #2:** Install hoop strap to divider panel approximately 10" from the front with 3/8" x 3" hex bolts and 2" square washers and lock nut which are to be installed on the plank side. Fasten the 24" SS channels to the back wall at **EXACTLY** 48"OC, 42"OC or 36"OC to match your front gates.

! **TIP: When mounting hoop straps, note which way your gate will swing out for animal flow.**

**Note:** With our 2-way latch, you can always open gate into the pen.

**Step #3:** Slide divider into the back 24" channel and drill 1/2" hole through divider, then attach divider to 24" channel with removable eye pin.

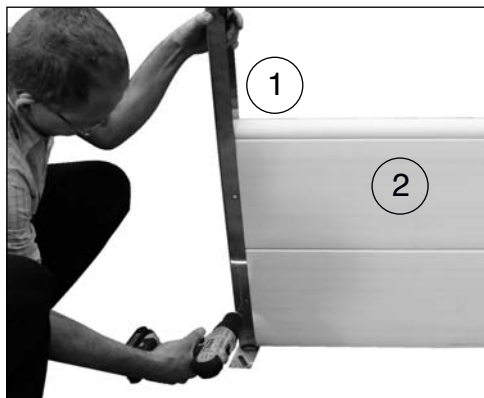
**Step #4:** Install front gate and block post up so it is level, locate latch and mark hole locations. Drill 4 through holes to mount latch with 2 square U-bolts (around hoop strap and through holes in divider plank).

! **TIP: Add 2 more 9/16" holes on latch side only to countersink the nuts of the latch.**

**Step #5:** Install pail holder with 2 washers per bolt between front and pail holder.

**Step #6:** Install **OPTIONAL** accessories (shown on back page).

## VENTED BACK WALL INSTALLATION:

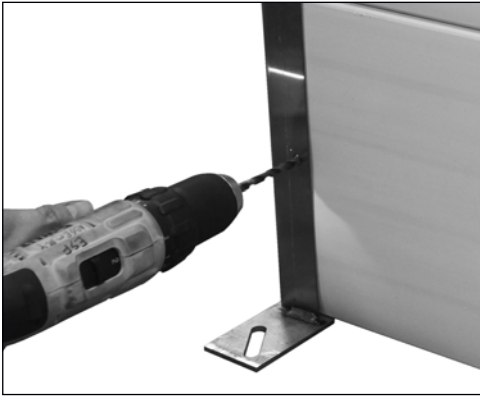


**Step #1:** Lag one channel post where you are starting your back wall.

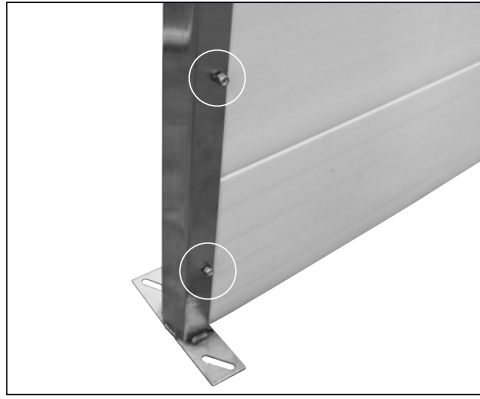
**Step #2:** Snap together two back wall planks. Snap top cap on the planks.



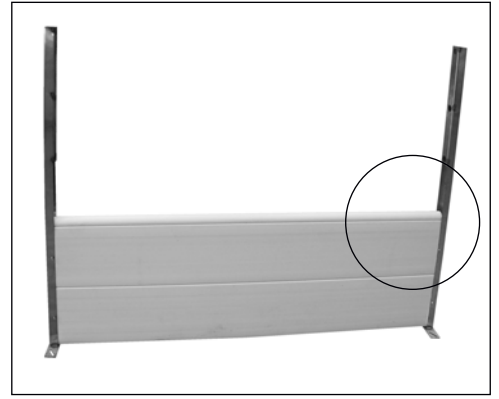
**Step #3:** Slide the planks into the channel post



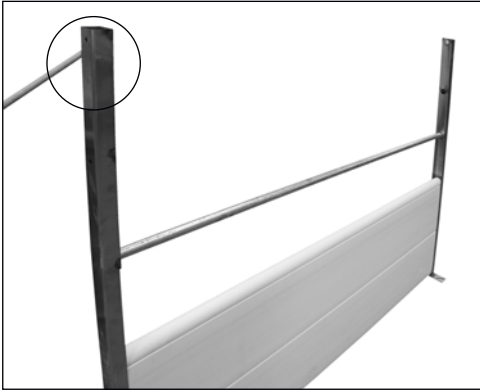
**Step #4:** Drill into plastic planks with 1/4" bit. (Make sure to start the hole coming from the front and the back. Don't try to go all the way through. You may not line the drill up with the hole on the backside.)



**Step #5:** Fasten 1/4" x 2 - 2 1/2" hex bolt and tighten.



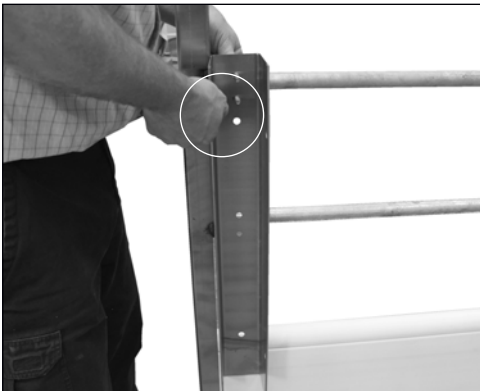
**Step #6:** Slide the other channel post on to the other end of the plank. (Do not fasten to post yet.)



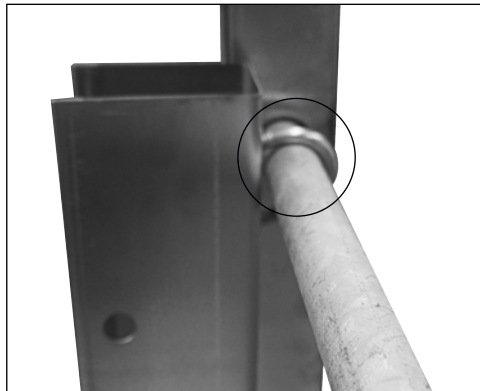
**Step #7:** Slide the rails in the holes at the tip of the posts.



**Step #8:** Repeat step #4 and #5 and drill holes and fasten with bolts.



**Step #9:** Attach receiving channel with U-Bolts. (The channel should be attached to the bottom rails and on the inside of the calf suite)



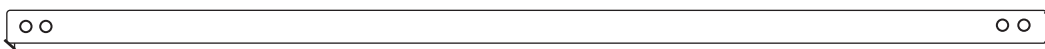
# FINISHED VENTED BACK WALL



## COMFY CALF SUITES - HOOP STYLE PARTS:

**1241120**

CALF HEAD HOLE REDUCER

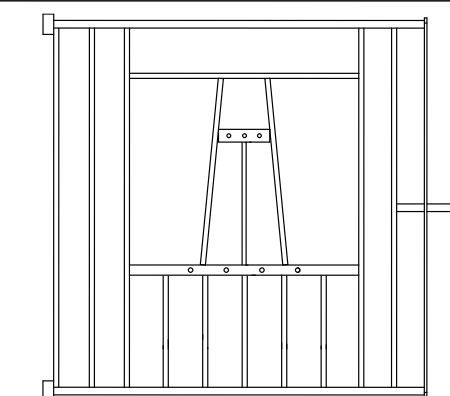


**1240041**

41" SS CHANNEL

**1240051**

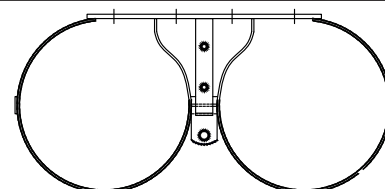
51" SS CHANNEL



**1241136** 36" OC CALF FRONT (24" LG)

**1241142** 42" OC CALF FRONT (30" LG)

**1241148** 48" OC CALF FRONT (36" LG)



**1241210A** PAIL HOLDER ONLY

**1270100HDW**  
HDW PKG/HOOP SUITE INCL HANDLE

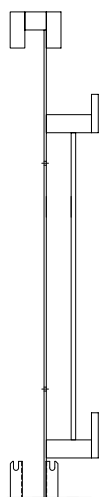
PART NUMBER	DESCRIPTION	QTY
124025A	HANDLE ONLY 5" I.D X 2.125" LG	1
1240221	ULTRASEAL EYEBOLT 3 3/4" LG	1
1270260	SQUARE U-BOLT US 1.75" IDX 3" LG 3/8"	2
HP4	HAIR PIN (HP4)	1
BOL3/8 - 3H	+3/8 - 16 X 3 HEXBOLT US	2
BOL3/8 - 11/4H	+3/8 - 16 X 1 1/4 HEXBOLT US	2
NUT3/8FL	3/8" - 16 FLANGE NUT ULTRASEAL	2
NUT3/8LN	3/8 - 16 N.I. LOCK NUT, US	11
WAS3/8	+3/8" FLAT WASHER	7
BOL1/4 - 21/2HSS	1/4 - 20 X 2 - 1/2 SS HEX BOLT	6
NUT1/4LSS	1/4 - 20 N.I. LOCK NUT SS 304	7
1270101	2" X 2" GALV WASHER	2

**1275241**

41" HINGE STRAP/  
HOOP SUITE

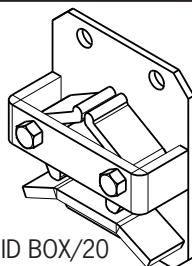
**1275251**

51" HINGE STRAP/  
HOOP SUITE



**1240100**

GALV 2-WAY LATCH ONLY  
20-620 - U-BOLTS 1 5/8" ID BOX/20  
(U-BOLTS NOT INCLUDED)



PART NUMBER	DESCRIPTION
2013030-72	10" HIGH PLANK X 72" LG
2013030-96	10" HIGH PLANK X 96" LG
2013130-72	TOP CAP X 72" LG
2013130-96	TOP CAP X 96" LG
CALFCARD-50	PKG OF 50 CALF SUITE RECORD CARDS
1235033	PLASTIC CALF PAIL (WHITE)

**1290136**

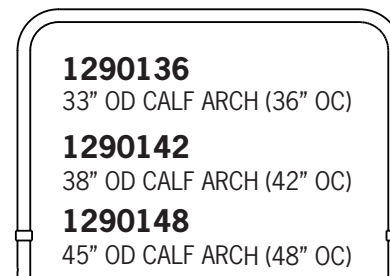
33" OD CALF ARCH (36" OC)

**1290142**

38" OD CALF ARCH (42" OC)

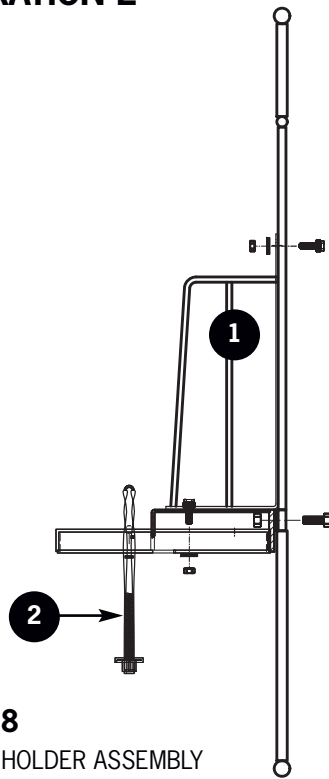
**1290148**

45" OD CALF ARCH (48" OC)



# OPTIONAL ACCESSORIES

## ILLUSTRATION 2



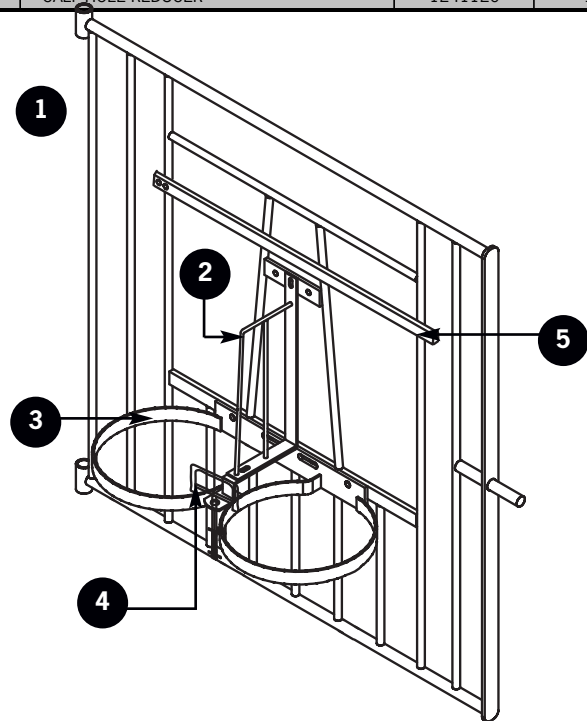
**1241148**

CALF PAIL HOLDER ASSEMBLY

ILLUS.	DESCRIPTION	PART #
1	1 PC STAINLESS STEEL PAIL DIVIDER + HDW	1241280SS-ND
2	CALF PAIL HOLD DOWN ASSEMBLY	1241011

## ILLUSTRATION 3

ILLUS.	DESCRIPTION	PART #	QTY
1	SW CALF FRONT	1241148	1
2	1 PC STAINLESS STEEL PAIL DIVIDER + HDW	1241280SS-ND	1
3	GALV. DBL PAIL HOLDER ONLY	1240210A	1
4	CALF PAIL HOLD DOWN ASSEMBLY	1241011	1
5	CALF HOLE REDUCER	1241120	1



## ONE PIECE STAINLESS PAIL DIVIDER

**(1241280SS-ND)** (Item #1 in above diagram)

**Step #1:** Insert bolts through holes in pail holder.

**Step #2:** Fasten nut and washer.

## SS CALF PAIL HOLD DOWN (NO ANGLE)

**(1241011)** (Item #4 in above diagram)

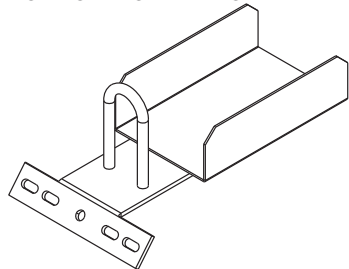
**Step #1:** Remove nut washer and spring.

**Step #2:** Install hold down through hole in pail holder.

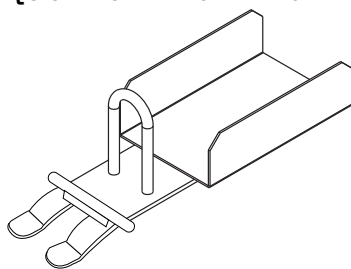
**Step #3:** Install spring, washer and nut.

**REMEMBER TO PUT TWO WASHER SPACERS BETWEEN PAIL HOLDER & FRONT**

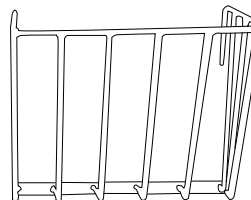
**1240235-3**  
BOLT ON BOTTLE HOLDER



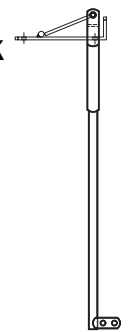
**1241235**  
QUICK INSTALL BOTTLE HOLDER



**1235030**  
HAY FEEDER



**1240245PK**  
MANUAL LOCK



Please visit [www.comfyalfsuites.com](http://www.comfyalfsuites.com) for more information on our Comfy Calf Suites and [www.canarm.com](http://www.canarm.com) for detailed information on all our Dairy and Ventilation products.

**CANARM LTD. - Corporate Office**  
2157 Parkedale Ave., PO Box 367 Brockville, ON  
Canada K6V 5V6  
Tel: (613) 342-5424 Fax: 1-800-263-4598  
E-Mail: [agsales@canarm.ca](mailto:agsales@canarm.ca)

[www.canarm.com](http://www.canarm.com)

**CANARM LTD. - USA Warehouse**  
808 Commerce Park Drive  
Ogdensburg, New York, USA 13669  
Tel: 1-800-267-4427 Fax: 1-800-263-4598

[www.comfyalfsuites.com](http://www.comfyalfsuites.com)

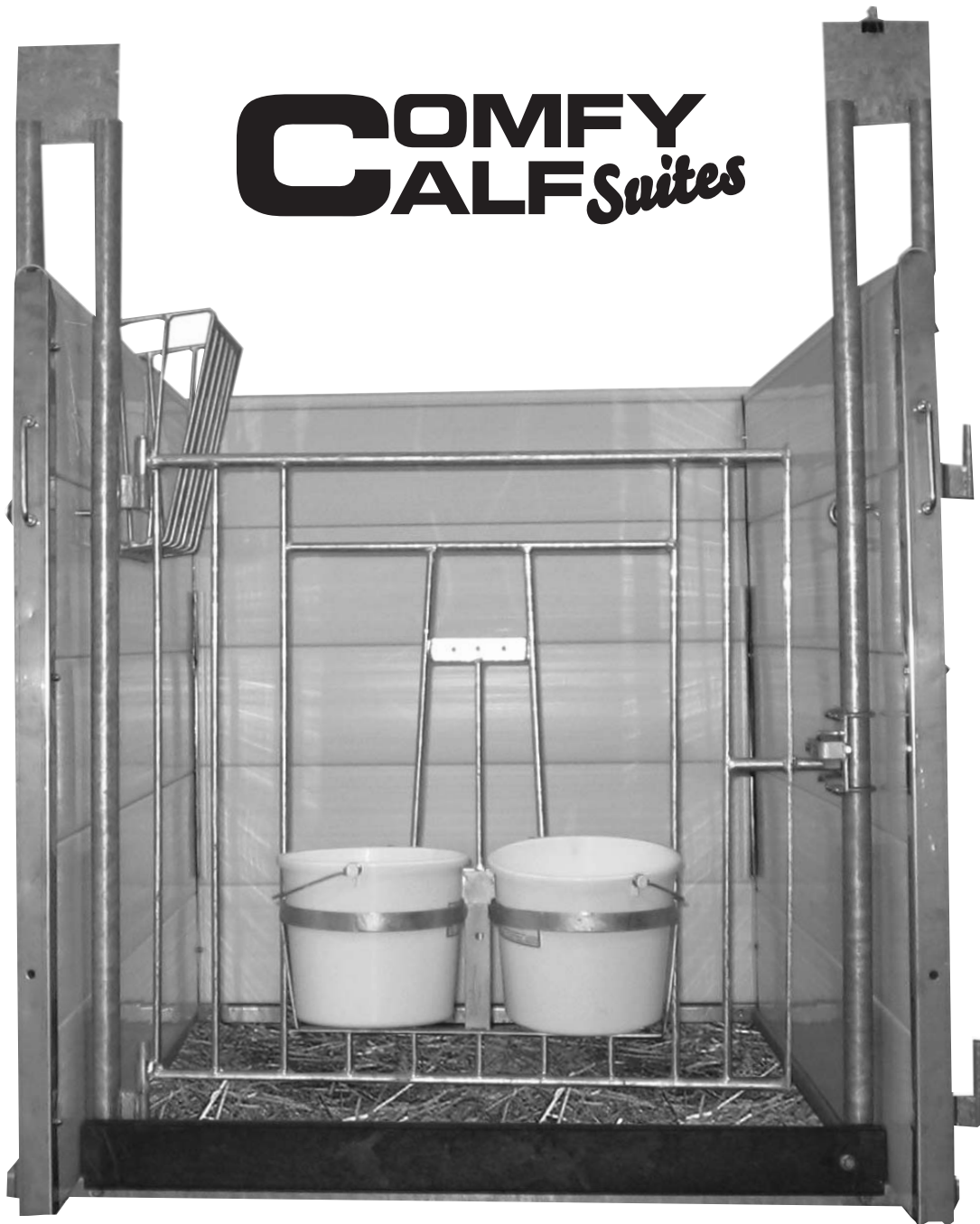
**Arthur Manufacturing Facility**  
#7686 Concession 16, RR 4 Arthur, ON  
Canada N0G 1A0  
Tel: (519) 848-3910 Fax: (519) 848-3948  
E-Mail: [agsales@canarm.ca](mailto:agsales@canarm.ca)



# POST STYLE COMFY CALF SUITES

## INSTALLATION INSTRUCTIONS

**COMFY**  
**CALF** *Suites*



Installation or product problems? Call 1-800-260-5314

# COMFY CALF SUITES - POST STYLE

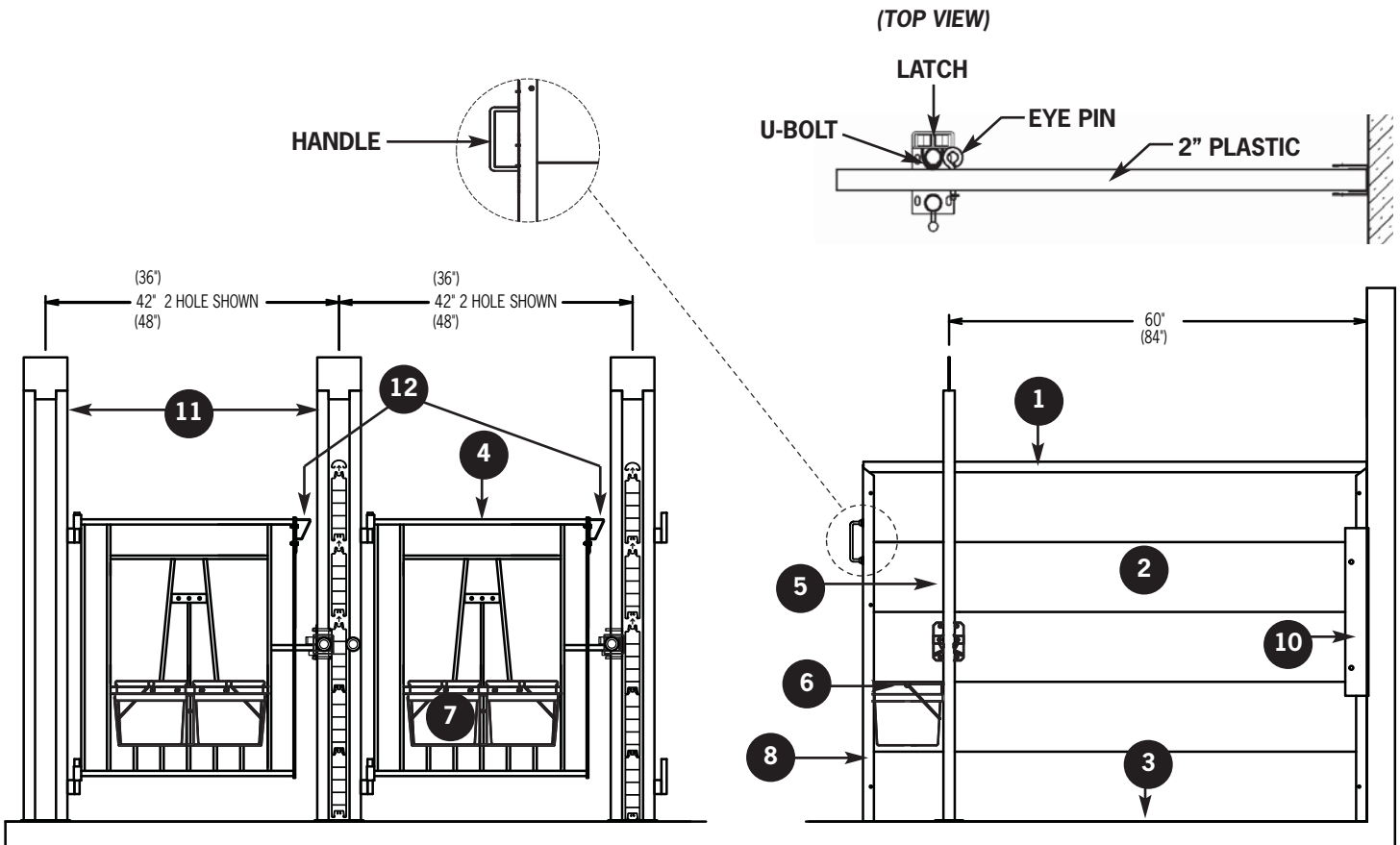


Congratulations on the purchase of Comfy Calf Suites! These instructions will guide you through the installation process and identify parts and accessories so please read through them and save them for future reference.

ILLUS.	DESCRIPTION	PART #
1	PLASTIC CAP 1.5" X 72" (OR 96" LG)	2013130-72 / 2013130-96
2	PLASTIC PLANK 10" X 72" LG (OR 96" LG)	2013030-72 / 2013030-96
3	BOTTOM PLUG / PLANK 20' LG (cut to size)	2013220
4	GALVANIZED 24" FRONT (2 HOLE) (36" OC PEN) GALVANIZED 30" FRONT (2 HOLE) (42" OC PEN) GALVANIZED 36" FRONT (2 HOLE) (48" OC PEN)	1241136 1241142 1241148
5	GALVANIZED 2-WAY CALF LATCH	1240100
6	GALVANIZED DBL PAIL HOLDER ONLY	1241210A
7	PLASTIC CALF PAIL (WHITE)	1235033
8	STAINLESS STEEL CALF CHANNEL (20 GA) 41" HIGH 51" HIGH	1240041 1240051
9	HDW PKG (POST SUITE) INCL U-BOLT, EYE PIN & HANDLE	1240100HDW
10	STAINLESS STEEL 24" MOUNT CHANNEL / CALF SUITE	1240226
11	60" GALVANIZED DOUBLE CALF SUITE POST	1240200
12	CALF SUITE BOLT ON GAP FILLER	1240222

## ILLUSTRATION 1

### 9 1240100HDW HDW PKG (EYE PIN, U-BOLT & HANDLE)





## INSTALLATION:

**Step #1:** Install handle to front channel (2 flange nuts on outside and 2 nylon locks on inside of channel). **\*TIGHTEN\***. Snap planks together for dividers, install front and back channels, then snap on top cap. Drill through plastic with a 1/4" bit, then fasten channels with 1/4" x 2 1/2" hex bolts.

**Step #2:** Anchor front posts to floor and 24" SS channels to the back wall at EXACTLY 48"OC, 42"OC OR 36"OC to match your fronts.

**⚠ TIP:** When mounting posts, note which way your gate will swing out for animal flow.

**Note:** With our 2-way latch, you can always open gate into the pen.

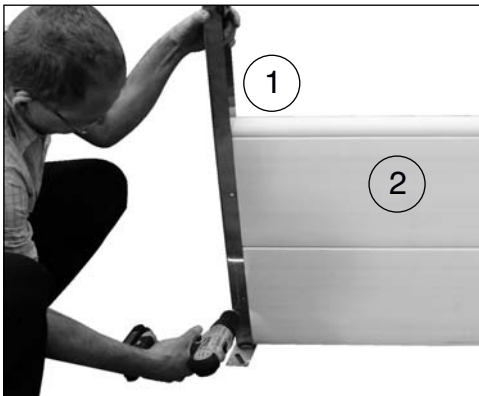
**Step #3:** Slide divider panel between double post and into the back channel. Drill 1/2" hole just behind the post and insert eye pin to keep the divider in place.

**Step #4:** Install front gate and block post up so it is level, then attach latch to post with 2 U-bolts.

**Step #5:** Install pail holder **with 2 washers per bolt between front and pail holder.**

**Step #6:** Install **OPTIONAL** accessories (shown on back page).

## VENTED BACK WALL INSTALLATION:

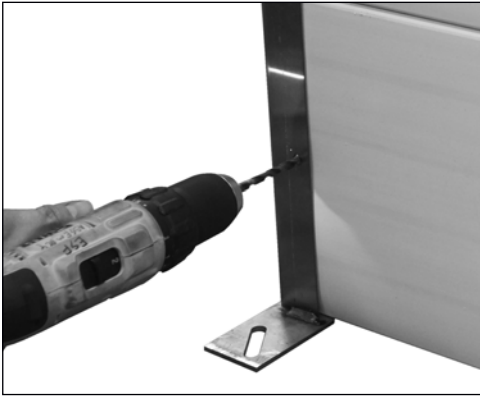


**Step #1:** Lag one channel post where you are starting your back wall.

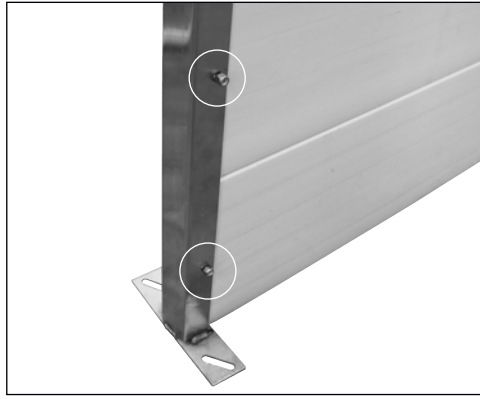
**Step #2:** Snap together two back wall planks. Snap top cap on the planks.



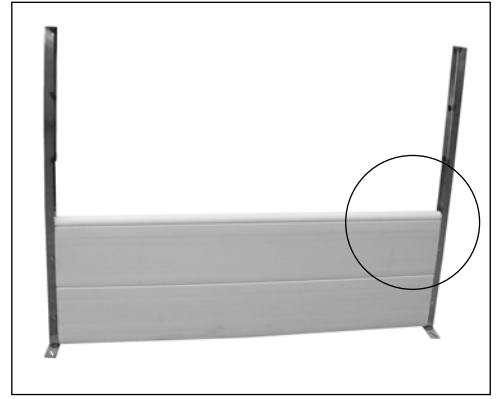
**Step #3:** Slide the planks into the channel post



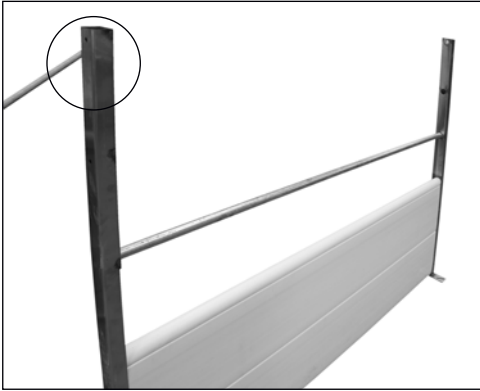
**Step #4:** Drill into plastic planks with 1/4" bit. (Make sure to start the hole coming from the front and the back. Don't try to go all the way through. You may not line the drill up with the hole on the backside.)



**Step #5:** Fasten 1/4" x 2 - 2 1/2" hex bolt and tighten.



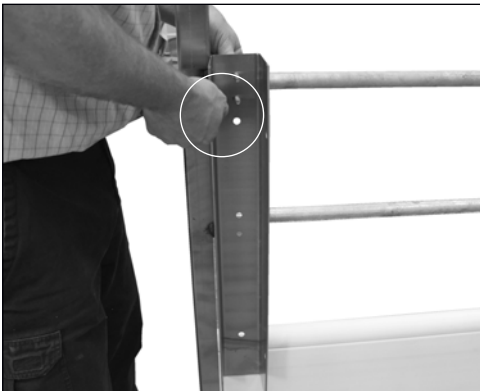
**Step #6:** Slide the other channel post on to the other end of the plank. (Do not fasten to post yet.)



**Step #7:** Slide the rails in the holes at the tip of the posts.



**Step #8:** Repeat step #4 and #5 and drill holes and fasten with bolts.



**Step #9:** Attach receiving channel with U-Bolts. (The channel should be attached to the bottom rails and on the inside of the calf suite)



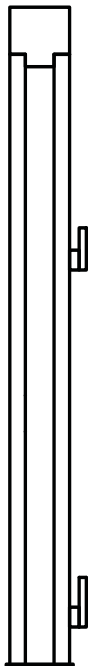
# FINISHED VENTED BACK WALL



## COMFY CALF SUITES - POST STYLE PARTS:

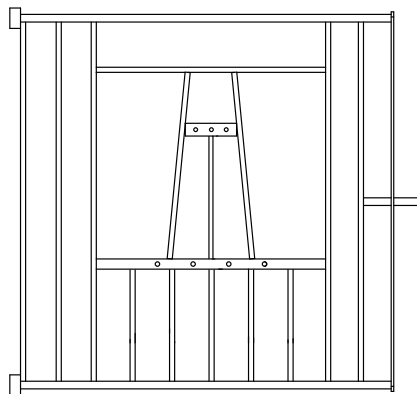
**1241120**

CALF HEAD HOLE REDUCER



**1240200**

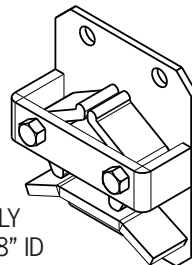
GALV 60" DBL POST BOLT DOWN



**1241136** 36" OC CALF FRONT (24" LG)

**1241142** 42" OC CALF FRONT (30" LG)

**1241148** 48" OC CALF FRONT (36" LG)



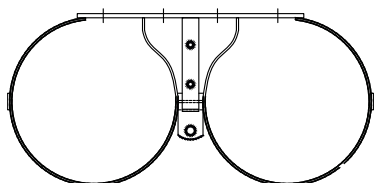
**1240100**

GALV 2-WAY LATCH ONLY  
20-620 - U-BOLTS 1 5/8" ID  
BOX/20  
(U-BOLTS NOT INCLUDED)



**1240041** 41" SS CHANNEL

**1240051** 51" SS CHANNEL



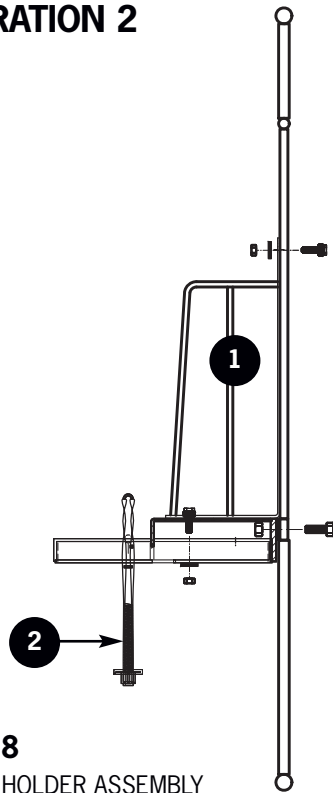
**1241210A** PAIL HOLDER ONLY

PART NUMBER	DESCRIPTION
2013030-72	10" HIGH PLANK X 72" LG
2013030-96	10" HIGH PLANK X 96" LG
2013130-72	TOP CAP X 72" LG
2013130-96	TOP CAP X 96" LG
CALFCARD-50	PKG OF 50 CALF SUITE RECORD CARDS
1235033	PLASTIC CALF PAIL (WHITE)

1240100HDW HDW PKG/POST SUITE INCL HANDLE		
PART NUMBER	DESCRIPTION	QTY
2060892	CARD HOLDER CLIP	1
1240250A	HANDLE ONLY 5" I.D. X 2.125" LG	1
20-6A	U-BOLT ONLY 1/75" IDX 2 9/16" L	2
1240221	ULTRASEAL EYEBOLT 3 3/4" LG	1
HP4	HAIR PIN (HP4)	1
BOL3 / 8-11 / 4H	+3/8 - 16 X 11/4 HEXBOLT US	2
NUT3 / 8FL	3/8" - 16 FLANGE NUT ULTRASEAL	2
NUT3 / 8LN	3/8 - 16 N.I. LOCK NUT, US	9
WAS3 / 8	+3/8" FLAT WASHER, US	4
BOL1 / 4 - 21 / 2HSS	1 / 4 - 20 X 2 - 1 / 2 SS HEXBOLT	6
NUT1 / 4LSS	1 / 4 - 20 N.I. LOCK NUT SS 304	7

# OPTIONAL ACCESSORIES

## ILLUSTRATION 2



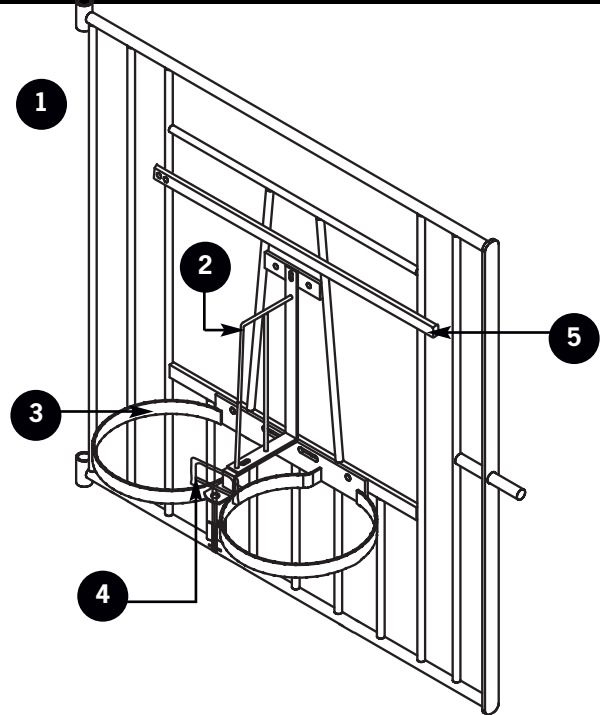
**1241148**

CALF PAIL HOLDER ASSEMBLY

ILLUS.	DESCRIPTION	PART #
1	1 PC STAINLESS STEEL PAIL DIVIDER + HDW	1241280SS-ND
2	CALF PAIL HOLD DOWN ASSEMBLY	1241011

## ILLUSTRATION 3

ILLUS.	DESCRIPTION	PART #	QTY
1	SW CALF FRONT	1241148	1
2	1 PC STAINLESS STEEL PAIL DIVIDER + HDW	1241280SS-ND	1
3	GALV. DBL. PAIL HOLDER ONLY	1240210A	1
4	CALF PAIL HOLD DOWN ASSEMBLY	1241011	1
5	CALF HOLE REDUCER	1241120	1



## ONE PIECE STAINLESS PAIL DIVIDER

**(1241280SS-ND)** (Item #1 in above diagram)

**Step #1:** Insert bolts through holes in pail holder.

**Step #2:** Fasten nut and washer.

## SS CALF PAIL HOLD DOWN (NO ANGLE)

**(1241011)** (Item #4 in above diagram)

**Step #1:** Remove nut washer and spring.

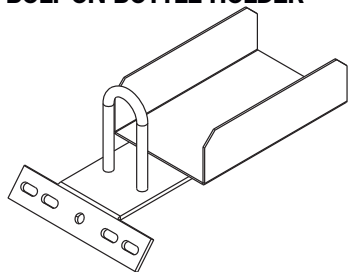
**Step #2:** Install hold down through hole in pail holder.

**Step #3:** Install spring, washer and nut.

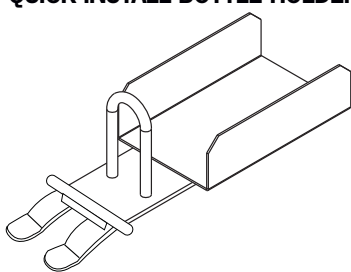


**REMEMBER TO PUT TWO WASHER SPACERS BETWEEN PAIL HOLDER & FRONT**

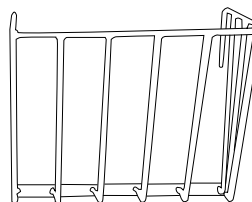
**1240235-3**  
BOLT ON BOTTLE HOLDER



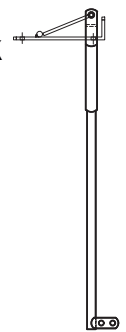
**1241235**  
QUICK INSTALL BOTTLE HOLDER



**1235030**  
HAY FEEDER



**1240245PK**  
MANUAL LOCK



Please visit [www.comfycalfsuites.com](http://www.comfycalfsuites.com) for more information on our Comfy Calf Suites and [www.canarm.com](http://www.canarm.com) for detailed information on all our Dairy and Ventilation products.

**CANARM LTD. - Corporate Office**  
2157 Parkedale Ave., Brockville, ON  
Canada K6V 5V6  
Tel: (613) 342-5424 Fax: 1-800-263-4598  
E-Mail: [agsales@canarm.ca](mailto:agsales@canarm.ca)

[www.canarm.com](http://www.canarm.com)

**CANARM LTD. - USA Warehouse**  
808 Commerce Park Drive  
Ogdensburg, New York, USA 13669  
Tel: 1-800-267-4427 Fax: 1-800-263-4598

[www.comfycalfsuites.com](http://www.comfycalfsuites.com)

**Arthur Manufacturing Facility**  
#7686 Concession 16, RR 4 Arthur, ON  
Canada N0G 1A0  
Tel: (519) 848-3910 Fax: (519) 848-3948  
E-Mail: [agsales@canarm.ca](mailto:agsales@canarm.ca)