

Farm King

OPERATOR AND PARTS MANUAL

C13 CONVENTIONAL AUGER LIGHT KIT

Models 1342, 1352, 1362

TABLE OF CONTENTS

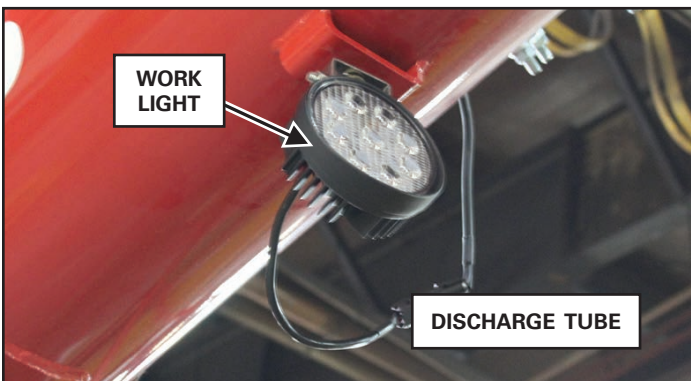
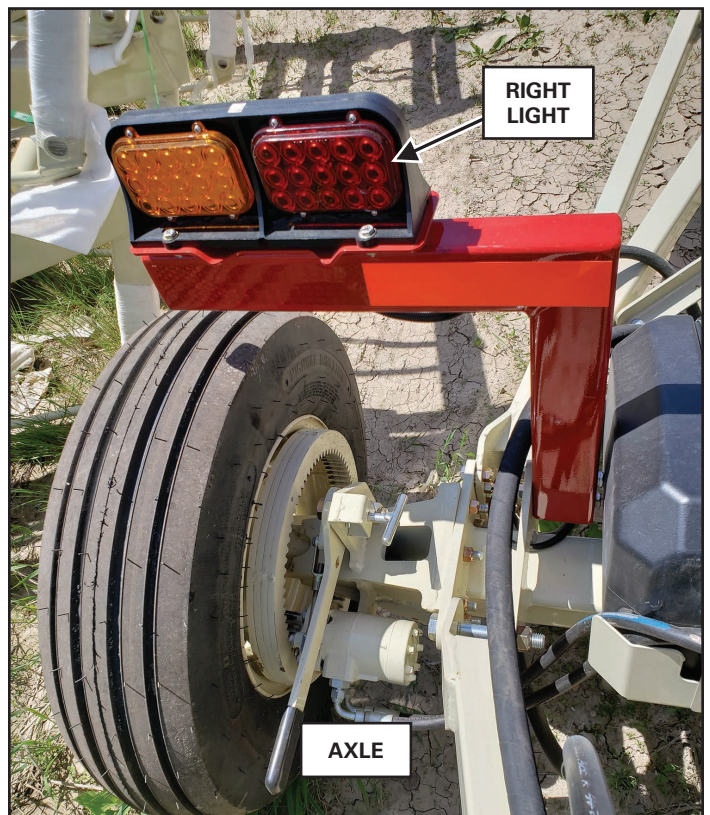
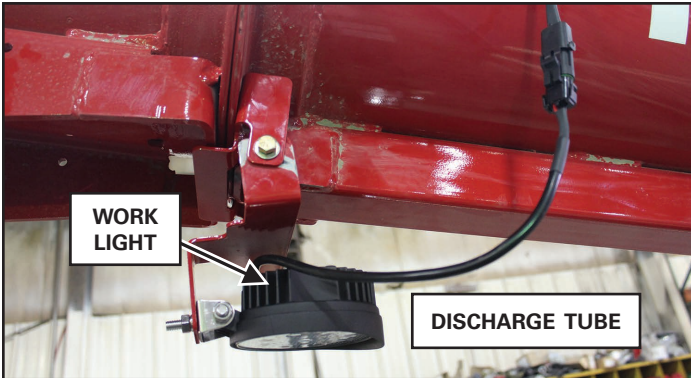
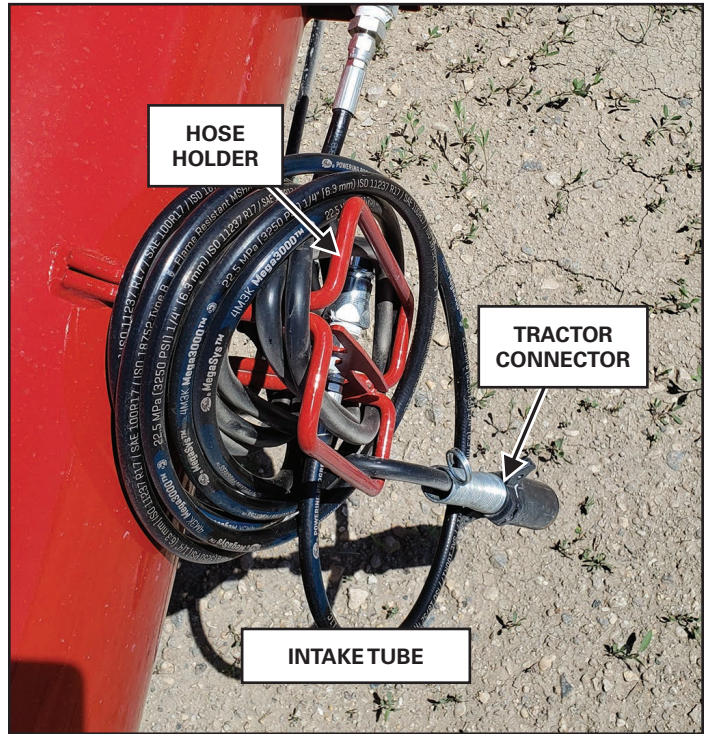
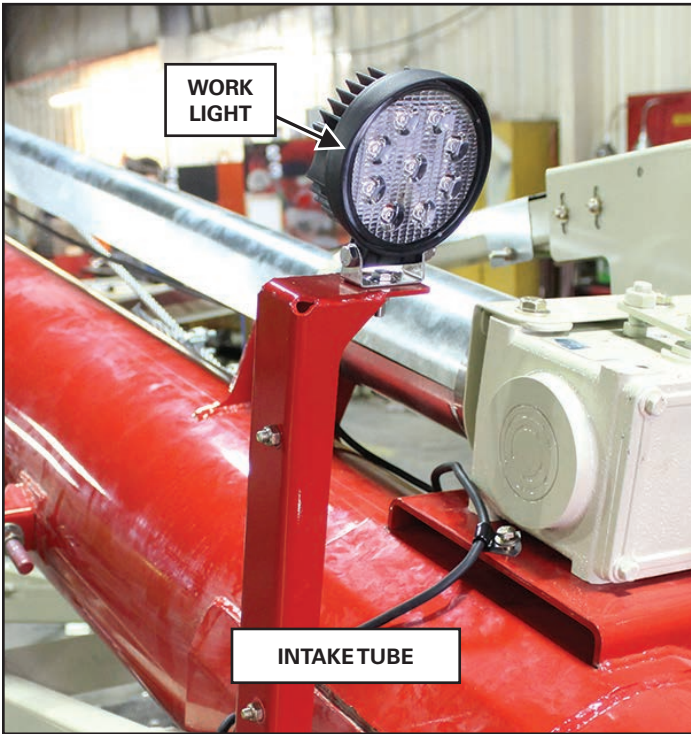
Manufacturer’s Statement: For technical reasons, Farm King reserves the right to modify machinery design and specifications provided herein without any preliminary notice. Information provided herein is of descriptive nature. Performance quality may depend on soil fertility, applied agricultural techniques, weather conditions, and other factors.

EQUIPMENT IDENTIFICATION.....	3
SAFETY.....	4
Safety Rules.....	4
Electrical Safety.....	4
DIRECTIONS VIEWED AROUND EQUIPMENT.....	4
ASSEMBLY.....	5
OPERATION.....	17
MAINTENANCE.....	17
PARTS IDENTIFICATION.....	18
LIGHT KIT - 1342.....	18
LIGHT KIT - 1352.....	20
LIGHT KIT - 1362.....	22
LIGHTS, HARNESS - 1342.....	24
LIGHTS, HARNESS - 1352.....	25
LIGHTS, HARNESS - 1362.....	26
HARDWARE TORQUE VALUES.....	27
Metric Chart.....	27
Imperial Chart.....	28
FARM KING BASE LIMITED WARRANTY.....	29
Repair Parts Limited Warranty.....	29
What Is Not Covered.....	29
Authorized Dealer And Labor Costs.....	29
Warranty Requirements.....	30

Farm King



EQUIPMENT IDENTIFICATION



SAFETY

Safety Rules

- Read and follow instructions in this manual and the tractor’s Operators Manual before operating.
- Under no circumstances should young children be allowed to work with this equipment.
- This equipment is dangerous to children and persons unfamiliar with its operation.
- Stay clear of overhead power lines when raising or lowering the auger. Electrocutation can occur without direct contact.
- Check for overhead and / or underground lines before operating equipment (if applicable).
- In addition to the design and configuration of equipment, hazard control and accident prevention are dependent upon the awareness, concern, prudence and proper training of personnel involved in the operation, transport, maintenance and storage of equipment.
- Operate the equipment only from the operator’s position.
- Operate the equipment according to the Operator And Parts Manual.
- When learning to operate the equipment, do it at a slow rate in an area clear of bystanders, especially small children.
- DO NOT permit personnel to be in the work area when operating the equipment.
- The equipment must be used ONLY on approved tractors / transport vehicles.
- DO NOT modify the equipment in any way.
- Unauthorized modification may impair the function and / or safety and could affect the life of the equipment.
- DO NOT make any adjustments or repairs on the equipment while the machine is running.
- Keep shields and guards in place. Replace if damaged.

Electrical Safety

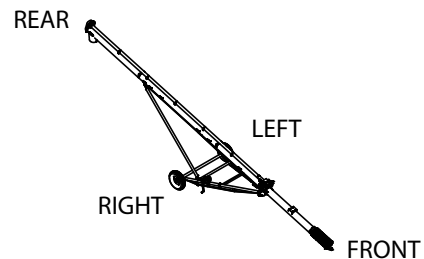


- Check all electrical wiring and connections for damage.
- Keep the battery terminals clean and tight.
- Repair or replace any damaged part or wires that are loose or frayed.
- Battery gas can explode and cause serious injury. Do not jump start or charge a frozen or damaged battery.
- Keep any open flames or sparks away from batteries.
- Do not smoke in battery charging area.

DIRECTIONS VIEWED AROUND EQUIPMENT



DIRECTIONS



The directions left, right, front and rear, as mentioned throughout this manual, are as viewed as the operator sitting in the tractor’s seat with the equipment hitched to the tractor.

ASSEMBLY

Unload the crate(s) and components in flat level area of adequate size to assemble the equipment.



IMPORTANT

Unload crate(s) and components carefully, not to cause damage to any of the components.

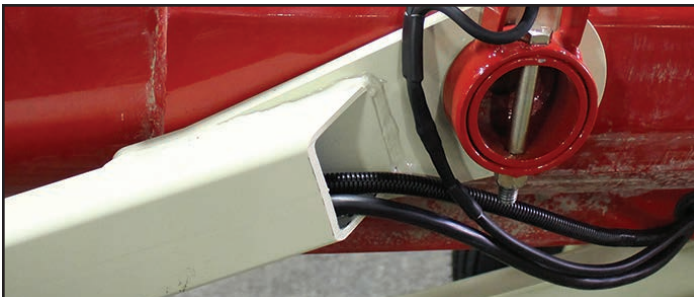
Using the packing list, locate and place all components and hardware in one area. Count the individual components and verify that you have received the correct number of components to fully assemble the equipment.

If any components are damaged, missing or replacement parts are required, contact your Farm King Dealer.



IMPORTANT

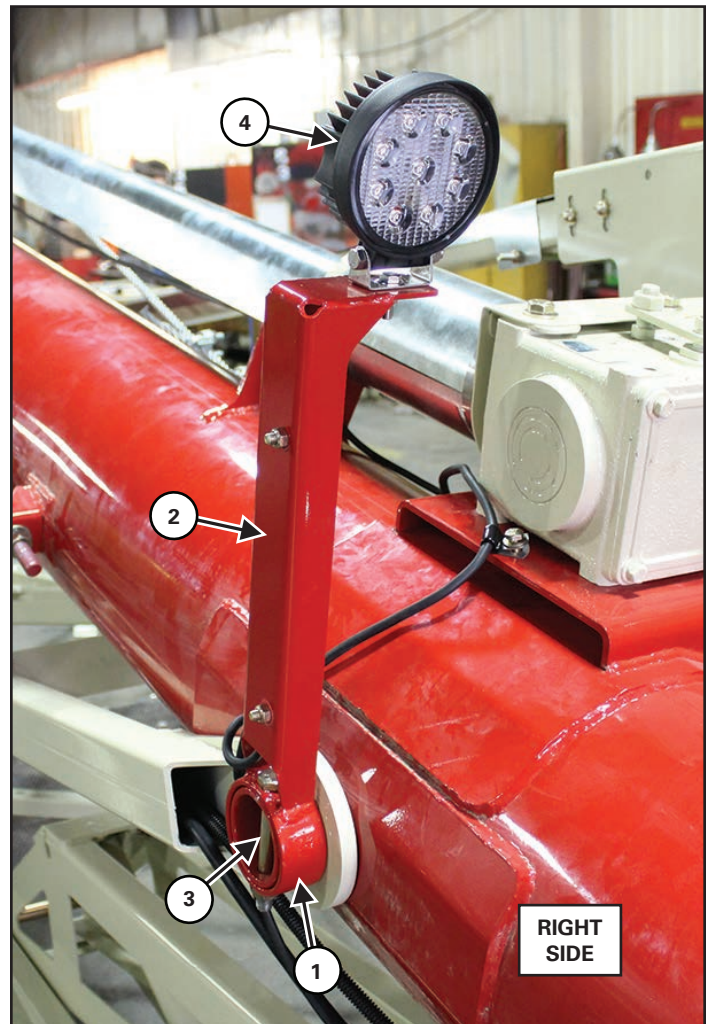
HOSE / HARNESS ROUTING



Certain hoses and wire harnesses are routed together inside the undercarriage arm tubes.

Any hoses / harnesses **MUST** be pulled through the arm at the **SAME** time. Cannot be done after or before.

Figure 1



Install the sleeve (Item 1) of the light stand (Item 2) over the tube mount on the RH side [Figure 1].

Note: Remove the existing 3-1/2" OD sleeve from the tube mount if applicable.

Attach the light stand using one 1/2" x 4-1/2" hex bolt (Item 3) and one 1/2" lock nut [Figure 1].

Attach one work light (Item 4) to the light stand using one mounting bracket, 5/16" x 3/4" hex bolt, and 5/16" lock nut [Figure 1].

Figure 2

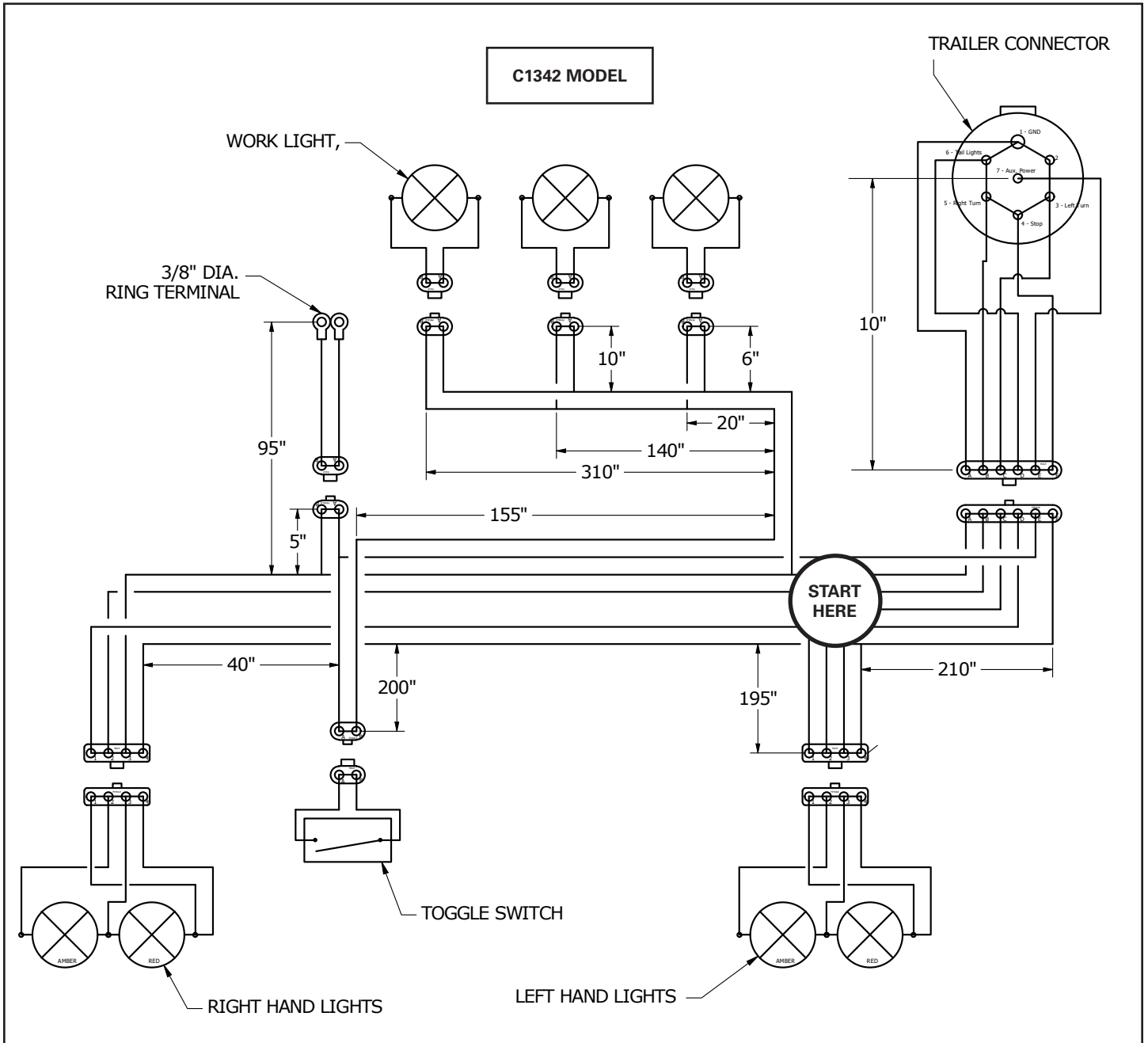


Figure 3

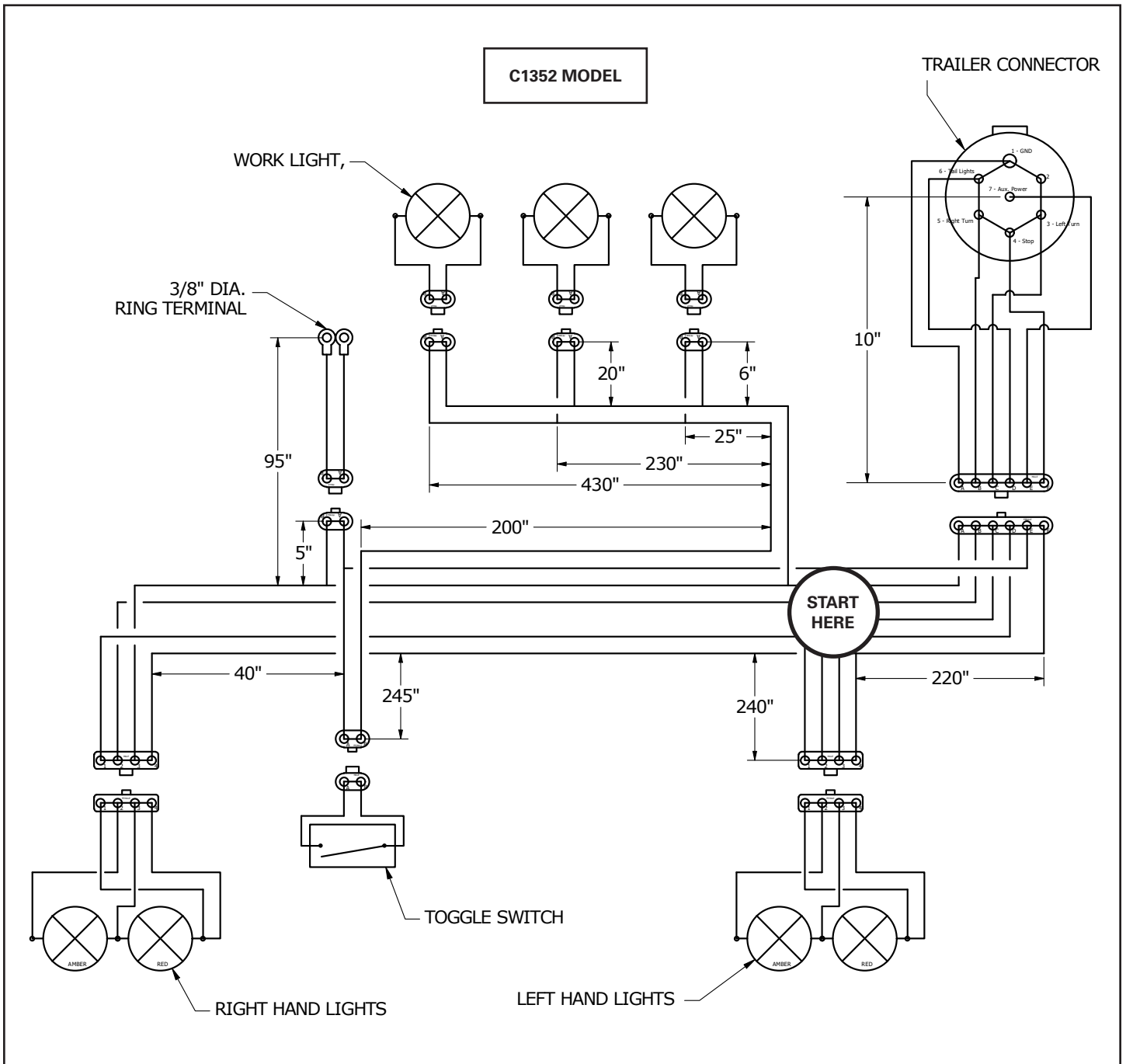
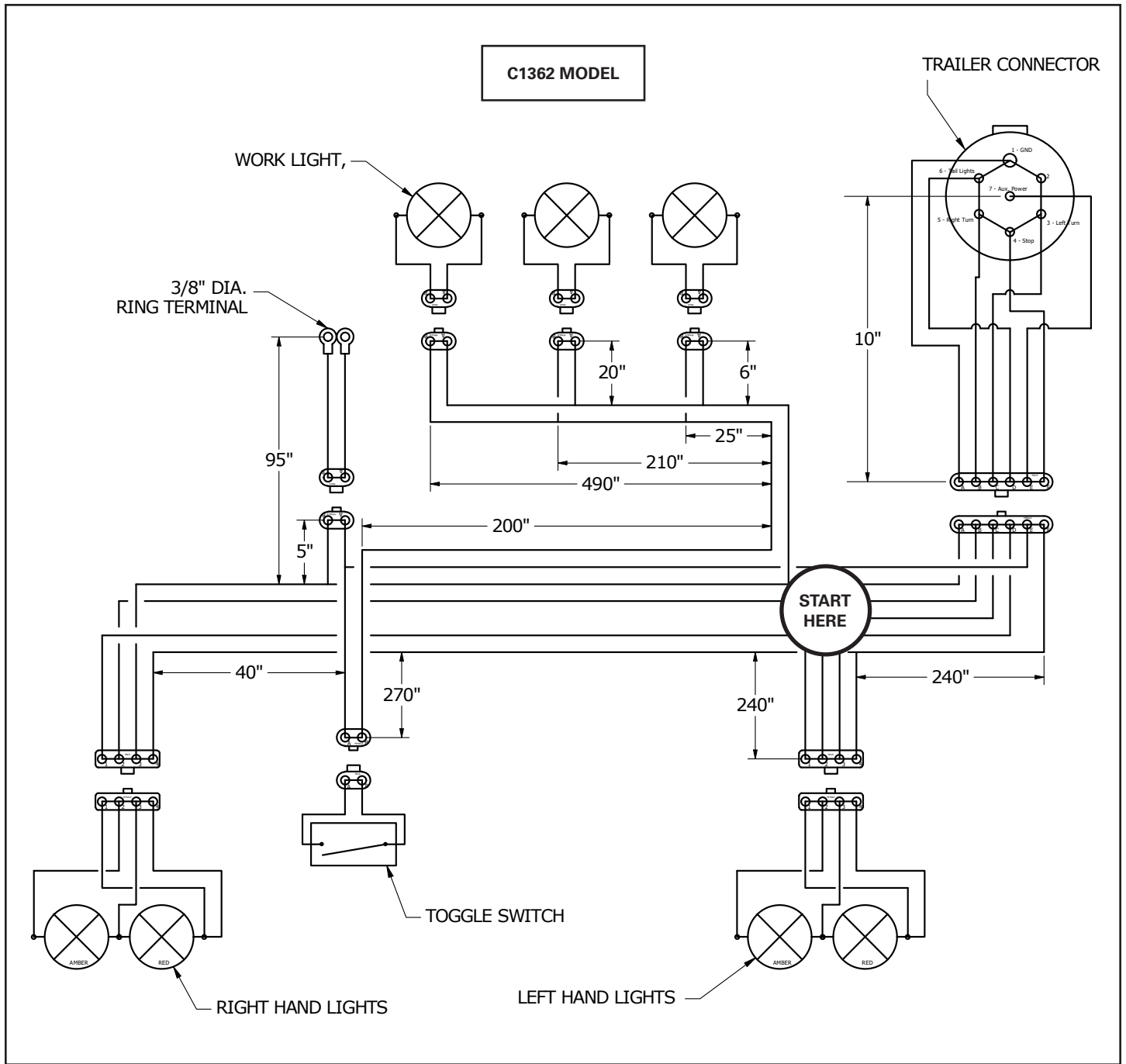


Figure 4



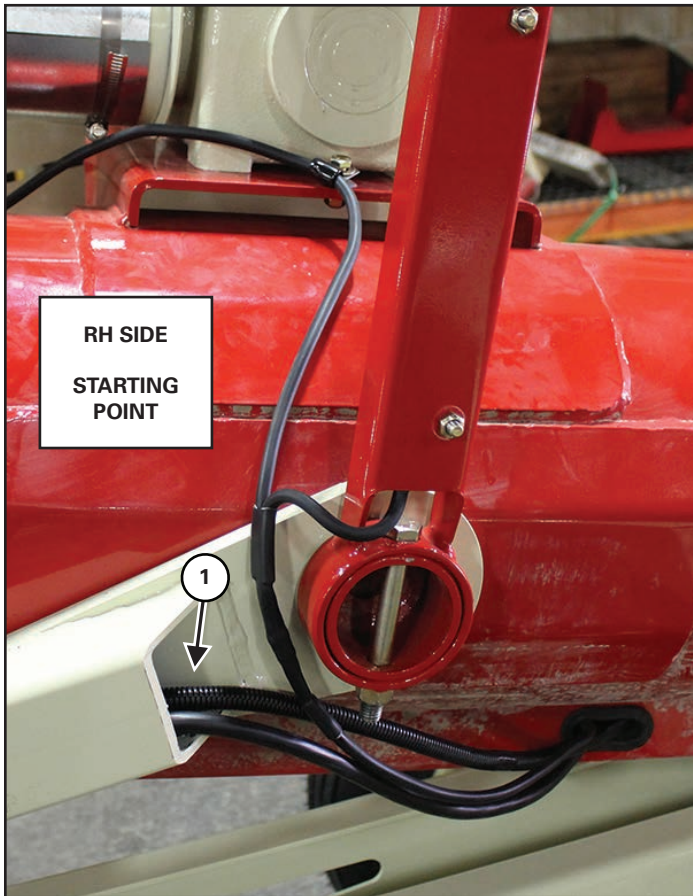


IMPORTANT

HARNESS ROUTING

Start routing the harness where the following sections join: work lights, trailer connector, and LH light. See [Figure 2], [Figure 3], [Figure 4] for harness section lengths depending on model.

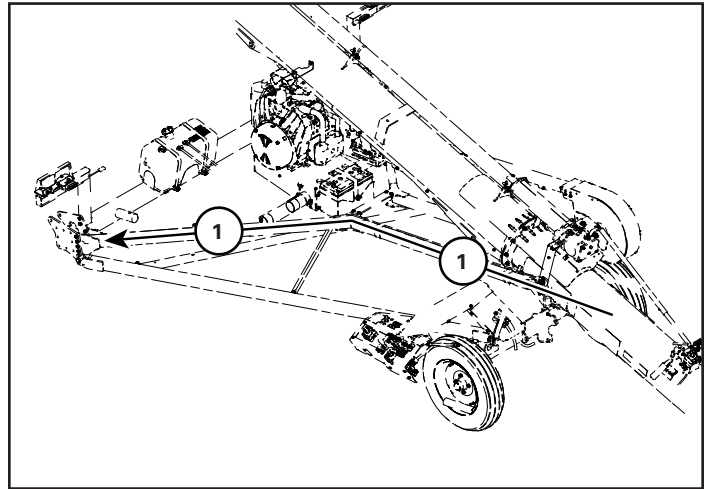
Figure 6



Route the following harness sections inside the RH undercarriage arm (Item 1) [Figure 5]:

- RH light section
- Toggle switch section
- Ring terminal section (if equipped with engine)

Figure 7

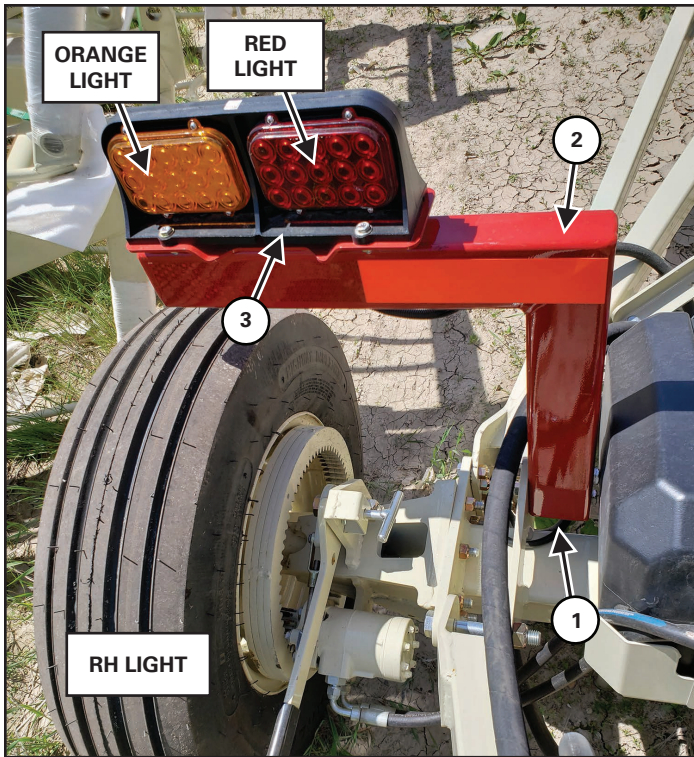


Route the ring terminal harness section, toggle switch section, and RH light section through the undercarriage arm (Item 1) [Figure 7].

Note: Remove and store the ring terminal section if not equipped with engine.

Note: If not equipped with mover, the toggle switch will need to be routed back through the undercarriage arm, see [Figure 11].

Figure 8



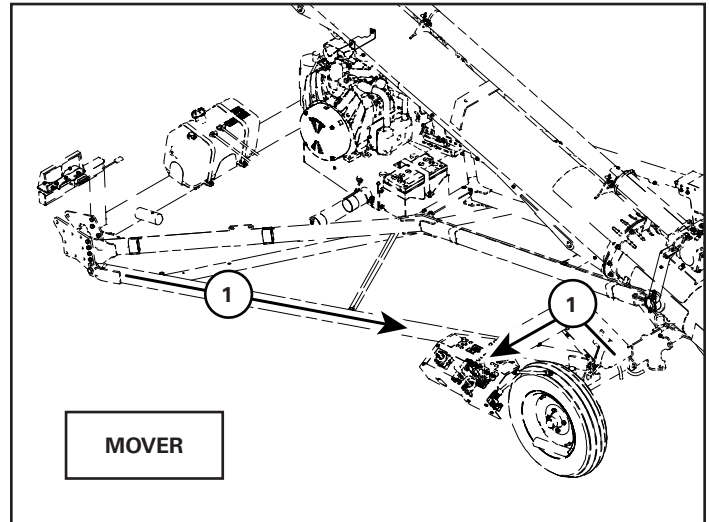
Route the RH light section up inside the bottom of the RH bracket (Item 2) and out the hole on top [Figure 8].

Note: The light bracket will need to be removed to properly route the RH light section through the bracket. Reinstall the bracket.

Attach one RH dual light (Item 3) to the bracket using four 1/4" x 3/4" hex bolts, four 1/4" flat washers, and four 1/4" lock nuts [Figure 8].

Connect the harness to the light. Make sure the orange light is positioned on the outside [Figure 8].

Figure 9



Mover Models: Route the toggle switch section (Item 1) inside the RH mover arm tube to the console [Figure 9].

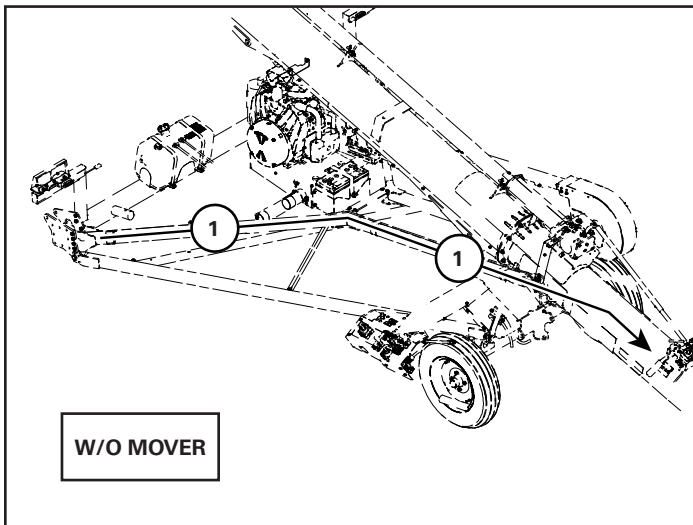
Note: Route the toggle switch to the mover console along with any hydraulic lines, electric clutch, and e-stop harnesses.

Figure 10



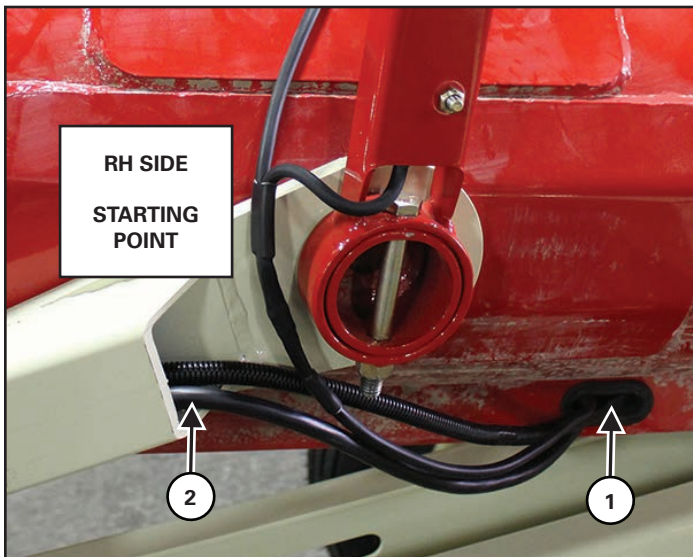
Mover Models: Install the toggle switch (Item 1) to the mover console. Connect the harness to the switch [Figure 10].

Figure 11



Models Without Mover: Route the toggle switch section (Item 1) back through the undercarriage arm to the starting point (easier to do as the RH light section is routed) [Figure 11].

Figure 12



Return to the starting point.

Remove the trailer connector and route the trailer connector harness section inside the enclosed tube (Item 1) beneath the auger main tube [Figure 12].

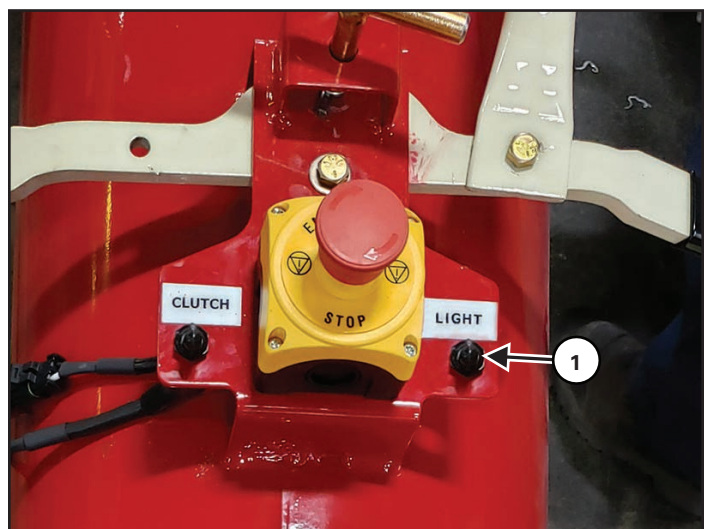
Without Mover Models: Route the toggle switch section from the undercarriage arm (Item 2), with the trailer connector section, and inside the enclosed tube (Item 1) [Figure 12].

Route the harnesses through the enclosed tube beneath the auger main tube to the hitch.



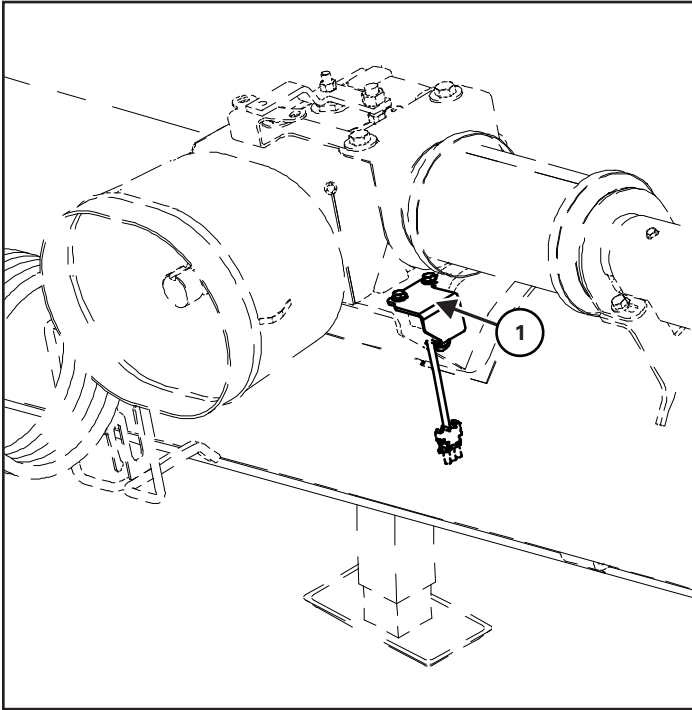
Mover Models: Make sure the trailer connector harness is routed prior to installing the mover scissor pin. The pin will block the enclosed tube.

Figure 13



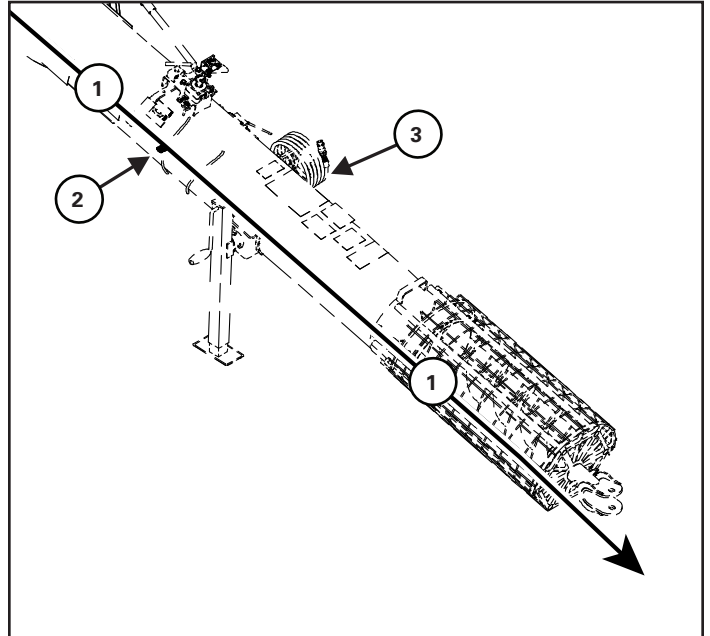
Models Without Mover: Install the toggle switch (Item 1) to the gearbox shifter bracket. Connect the harness to the switch [Figure 13].

Figure 14



Direct Drive Models: Install the toggle switch (Item 1) to the bracket on the gearbox. Connect the harness to the switch [Figure 14].

Figure 15

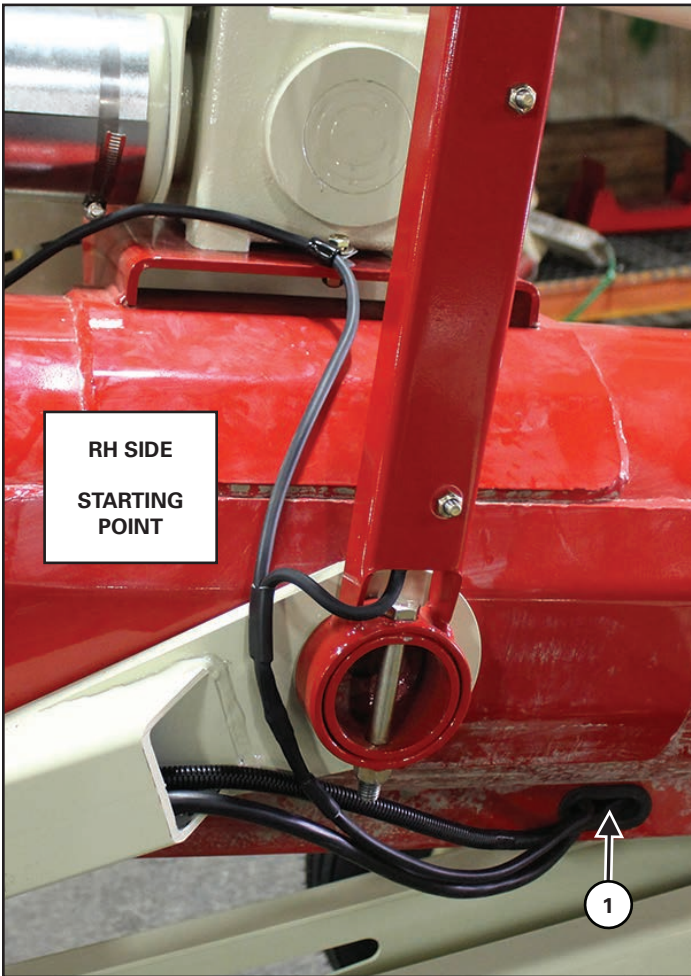


Route the trailer connector section (Item 1) to the hitch and reinstall the connector [Figure 15].

Attach the harness to the side of auger tube using one cable clamp (Item 2), 5/16" x 3/4" hex bolt, 5/16" flat washer, and 5/16" lock nut [Figure 15].

Wrap the excess wire harness around the hose holder (Item 3) [Figure 15].

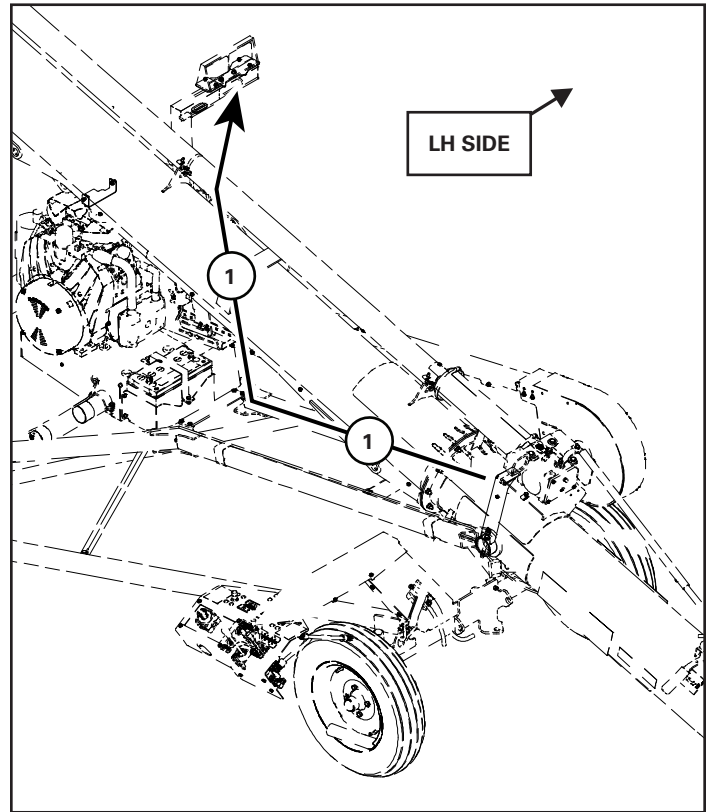
Figure 16



Return to the starting point.

Route the LH light harness section through the hole (Item 1) to the left side of the auger tube [Figure 16].

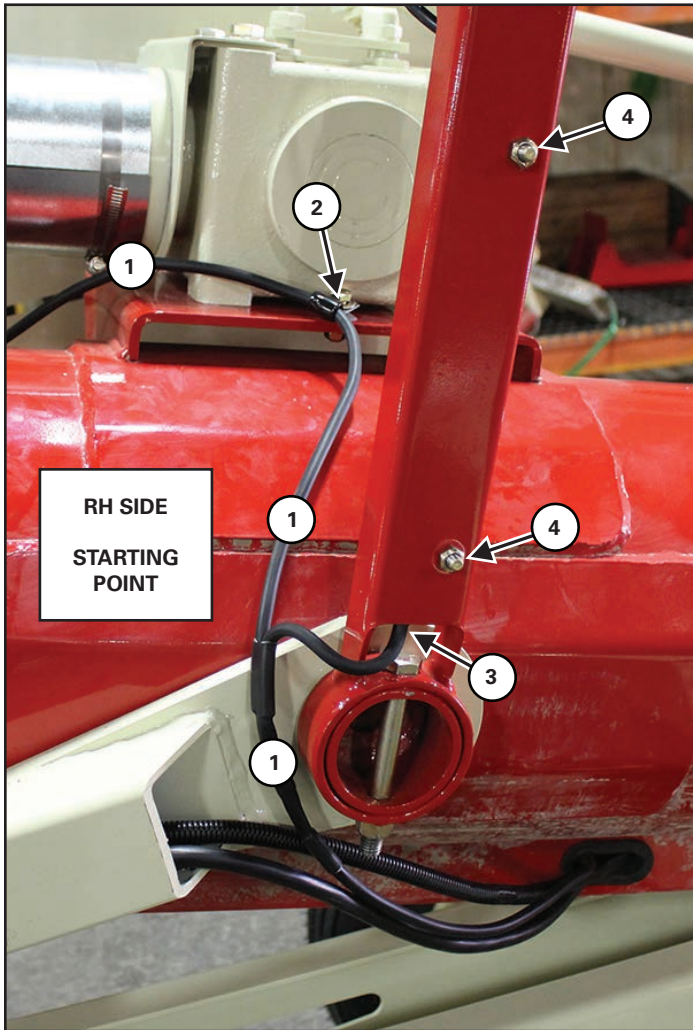
Figure 17



Route the LH light harness section (Item 1) from the gearbox, inside the LH undercarriage arm, and to the LH side of the axle [Figure 17]:

Install the wire harness to the LH light bracket and connect to the LH dual lamp. See [Figure 8] to install bracket and harness.

Figure 18



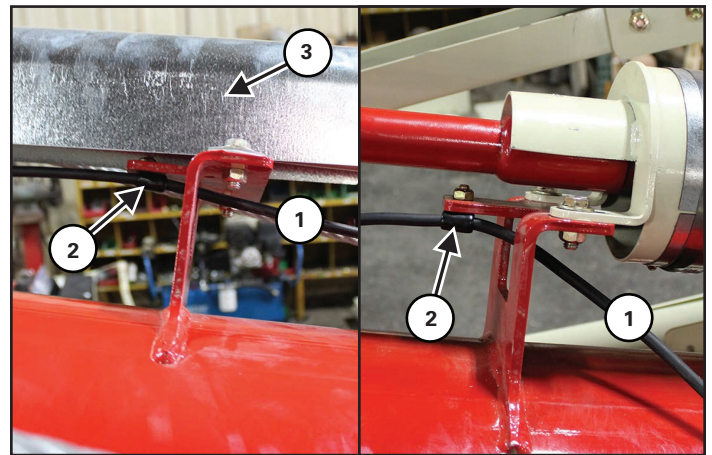
Return to the starting point.

Attach the work light harness section (Item 1) to the side of the gearbox mount using one cable clamp (Item 2), 3/8" x 1" hex bolt, 3/8" flat washer, and 3/8" lock nut [Figure 18].

Route the first section (Item 3) of the work light harness up inside the light stand [Figure 18].

Secure the harness to the light stand using two cable clamps, two 5/16" x 3/4" hex bolts, two 5/16" flat washers, and two 5/16" lock nuts (Item 4). Connect the harness to the work light [Figure 18].

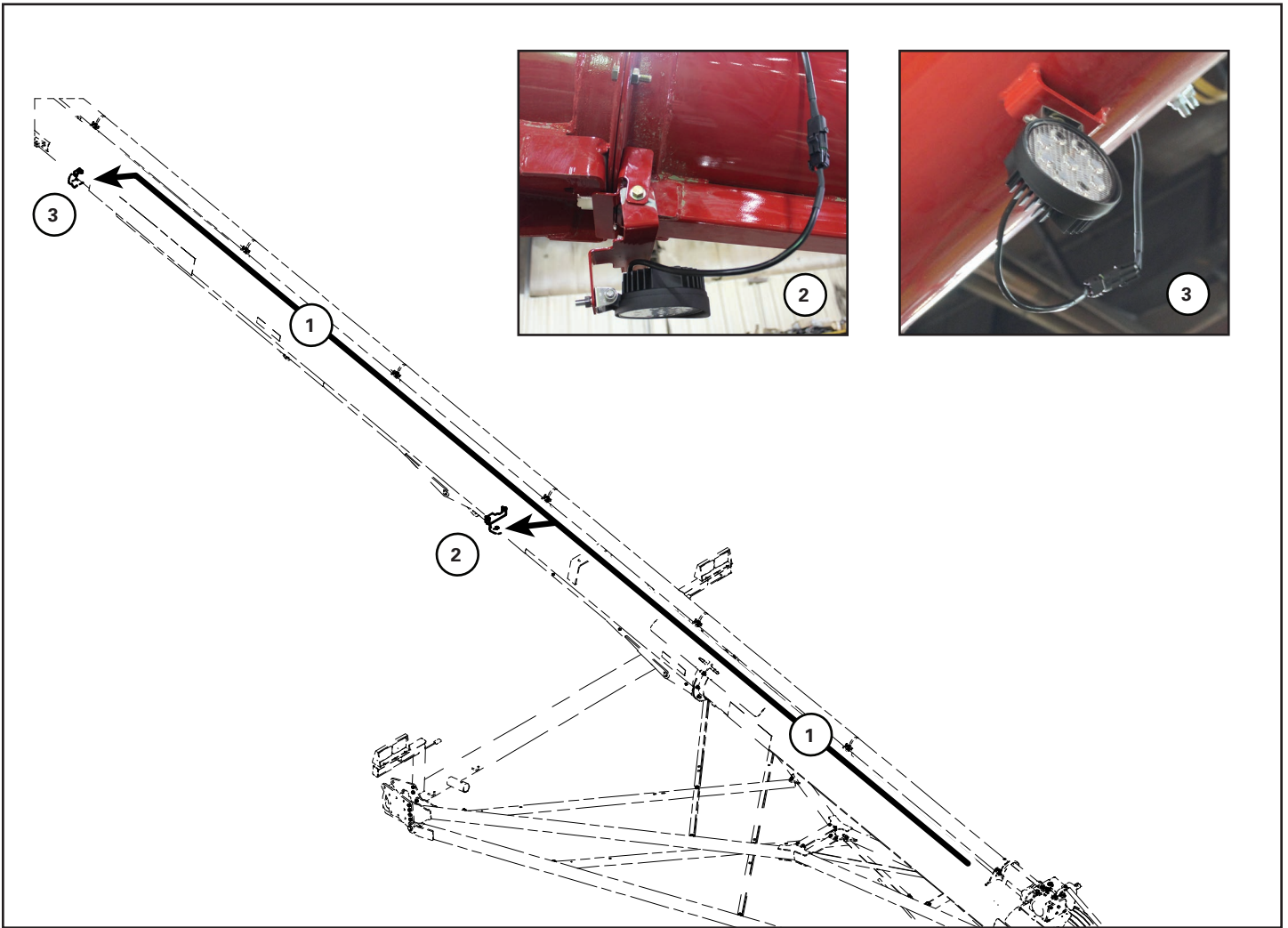
Figure 19



Route the work light harness (Item 1) down the auger tube toward the discharge. Secure the harness underneath the drive line to the mounts. Attach using cable clamps (Item 2) and 3/8" x 3/4" thread cutting screws [Figure 19].

Note: The drive line shields (Item 3) will need to be removed to attach the cable clamps [Figure 19].

Figure 20

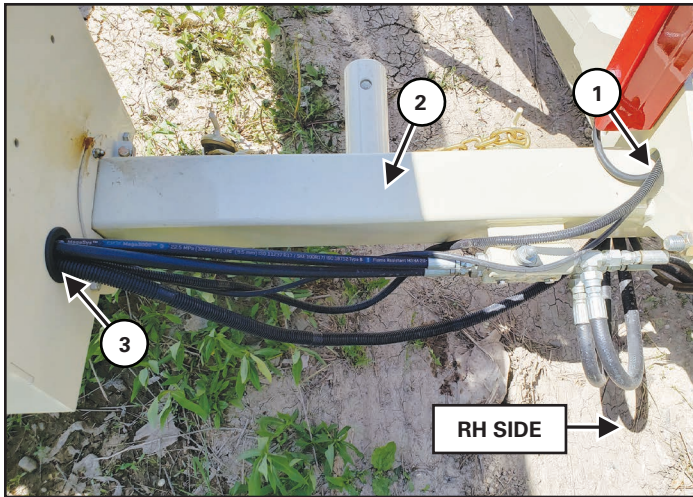


Continue to route the work light harness (Item 1) down the tube toward the discharge **[Figure 20]**.

Connect the harness to the second work light (Item 2). Connect the harness to the third work light (Item 3). Attach the work lights using one mounting bracket, 5/16" x 3/4" hex bolt, and 5/16" lock nut **[Figure 20]**.

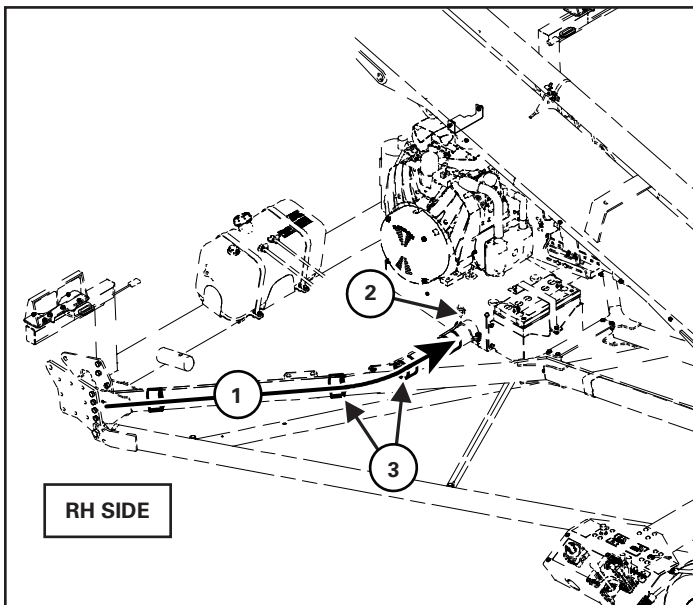
Note: Remove and store the ring terminal section if not equipped with engine.

Figure 21



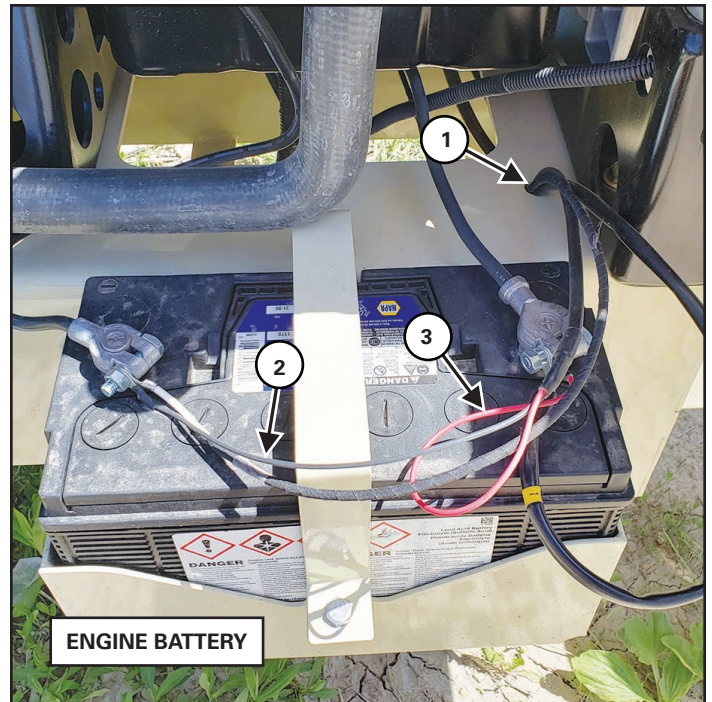
C1352, C1362 Engine Models: Route the ring terminal harness from the RH undercarriage arm (Item 1), along the axle (Item 2), and to the motor mount hole (Item 3) [Figure 21].

Figure 22



C1342 Engine Models: Route the ring terminal harness from the RH undercarriage arm, along the top of the undercarriage weldment (Item 1), and to the motor mount hole (Item 2). Secure the harness to the weldment using hose straps (Item 3) [Figure 22].

Figure 23



Engine Models: Route the ring terminal harness through the hole (Item 1) on the motor mount [Figure 23].

Attach the 3/8" ringed black wire (Item 2) of the harness to the ground terminal on the battery [Figure 23].

Attach the 3/8" ringed red wire (Item 3) of the harness to the power terminal on the battery [Figure 23].

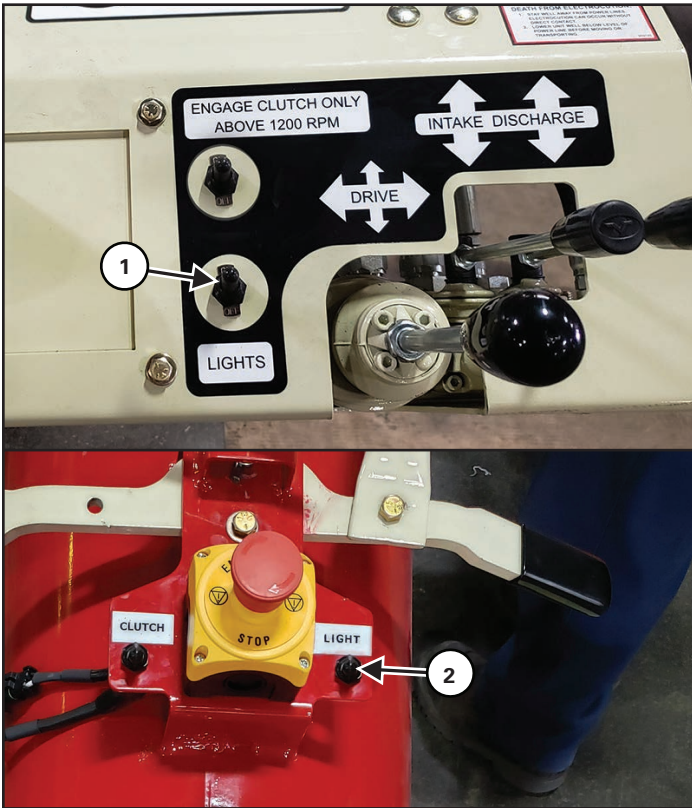
WARNING

Keep wires away from heat sources found around the engine.

OPERATION

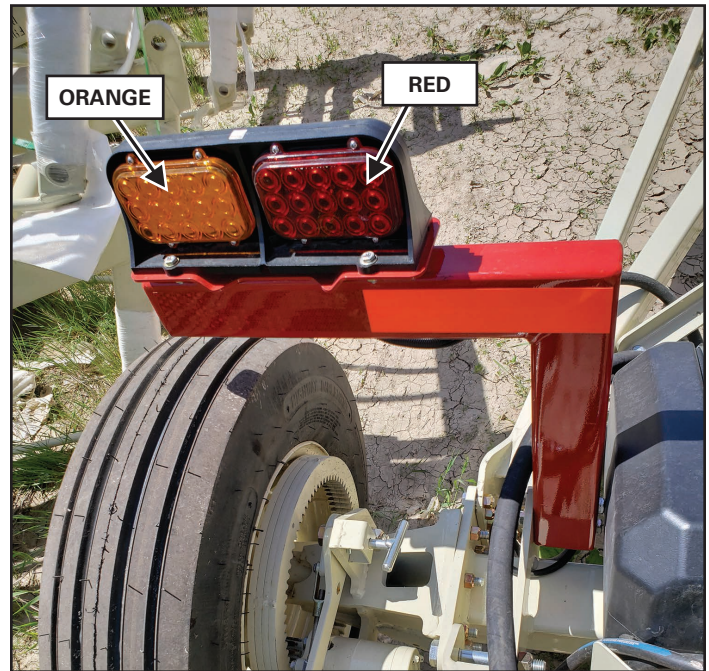
Before operating equipment check that the tractor and battery connections are secure.

Figure 24



Engage the switch (Item 1) on the console, or bracket (Item 2) to operate the lights [Figure 24].

Figure 25



Light Functions are as follows [Figure 25]:

- Red: Brake / tail / running light
- Orange: Turn / warning light

MAINTENANCE

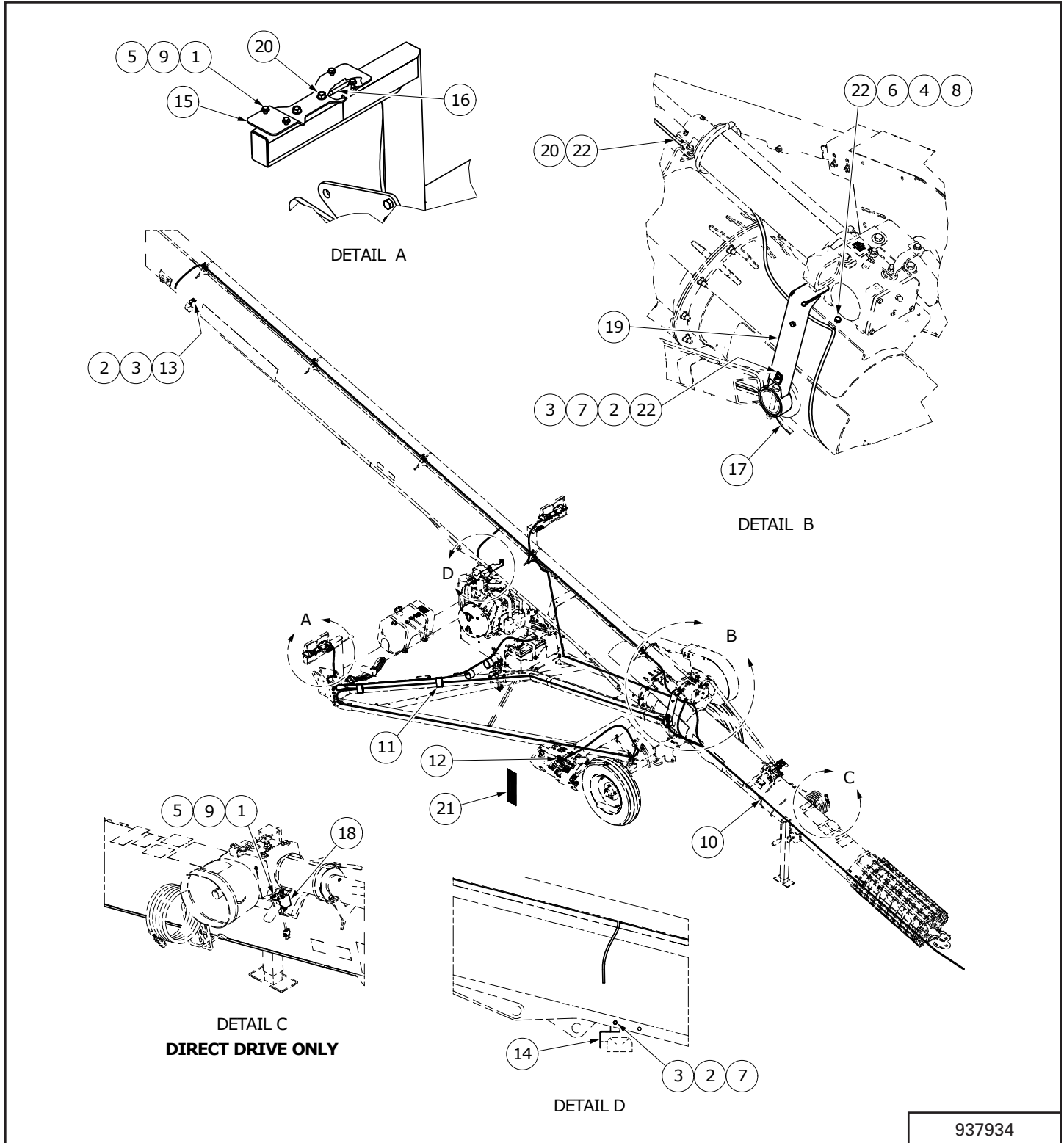
Every 100 hours of use, check the following:

- Switches engage and disengage smoothly
- Switches and lights are mounted securely
- Fasteners are tight
- Wires and connectors are in good condition
- Wires are routed correctly and are positioned away from sources of heat
- Battery terminals are clean and tight

PARTS IDENTIFICATION

The parts identification section list descriptions, part numbers and quantities for all North America Base Model C13 Auger Light Kits. Contact your Farm King dealer for additional parts information.

LIGHT KIT - 1342

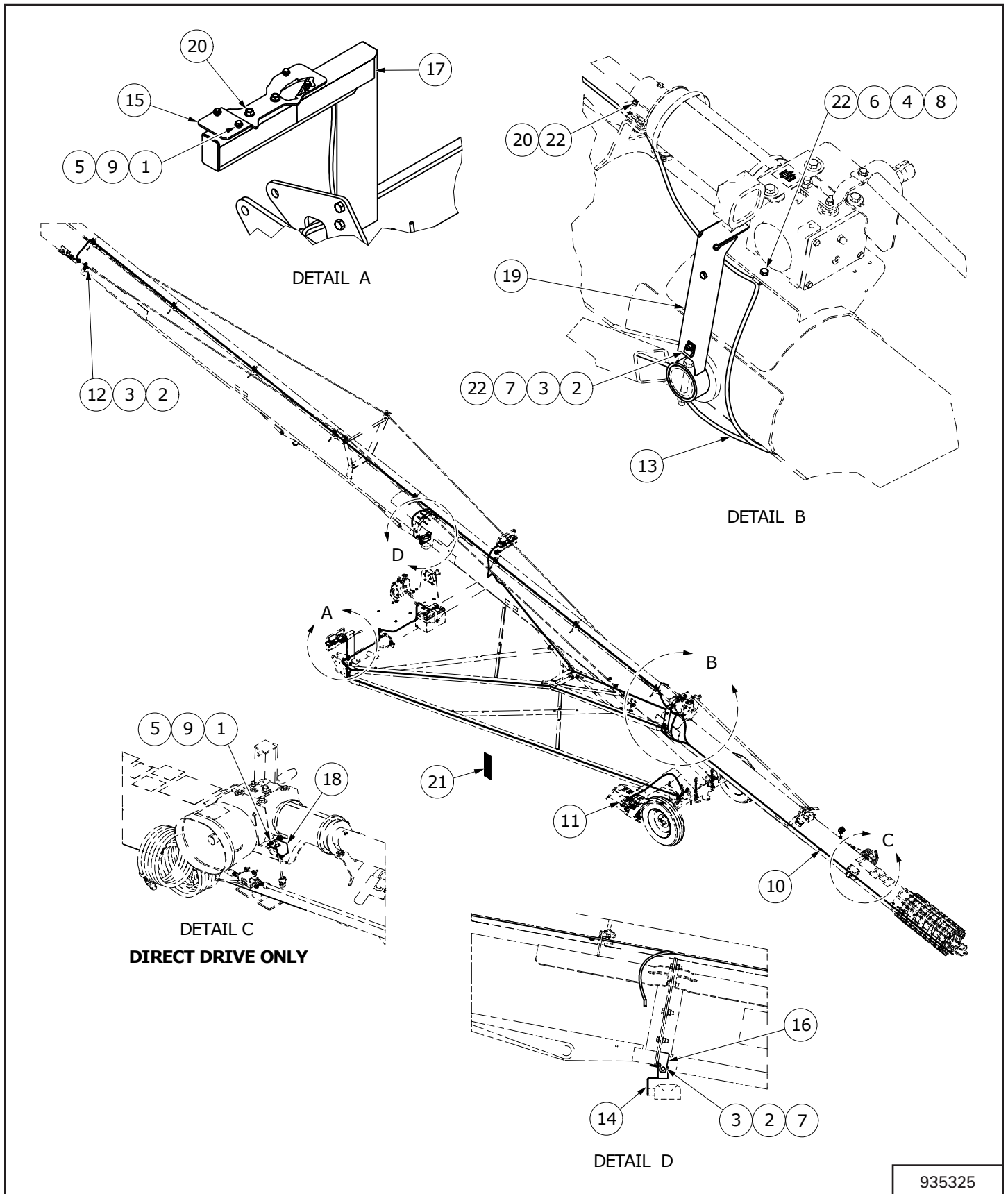


937934

ITEM	PART NUMBER	DESCRIPTION	QTY.
1	81525	1/4" X 3/4" HEX BOLT (PL)	11
2	81546	5/16" FLAT WASHER (PL)	5
3	81549	5/16" X 3/4" HEX BOLT (PL)	5
4	84039	WASHER - 3/8" SAE FLAT (PL)	1
5	84498	1/4" LOCK NUT (PL)	11
6	86170	3/8" X 1" HEX BOLT GR.5 (PL)	1
7	812362	5/16" LOCK NUT (PL)	4
8	812363	3/8" LOCK NUT (PL)	1
9	812624	1/4" FLAT WASHER PL	11
10	919485	SUPPORT CLAMP-3/8 DIA	1
11	931999	HOSE STRAP-HOOK AND LOOP	4
12	932094	DECAL-LIGHTS	1
13	933615	BRKT - WORKING LIGHT MOUNT	1
14	937369	BRKT - HANGER MOUNT	1
15	937374	BRKT - TRAILER LIGHT MOUNT	2
16	937419	RUBBER GROMMET	2
17	937936	C1342 LIGHT KIT	1
18	937974	BRKT - SWITCH MOUNT	1
19	937977	WELDT - LIGHT STAND	1
20	937979	3/8"-16 UNC X 3/4" THREAD CUTTING SCREW	9
21	967184	14 1/2" STRAP	5
22	SZ000566	5/16X0.406 HOLE VINYL DIP CLAMP	8

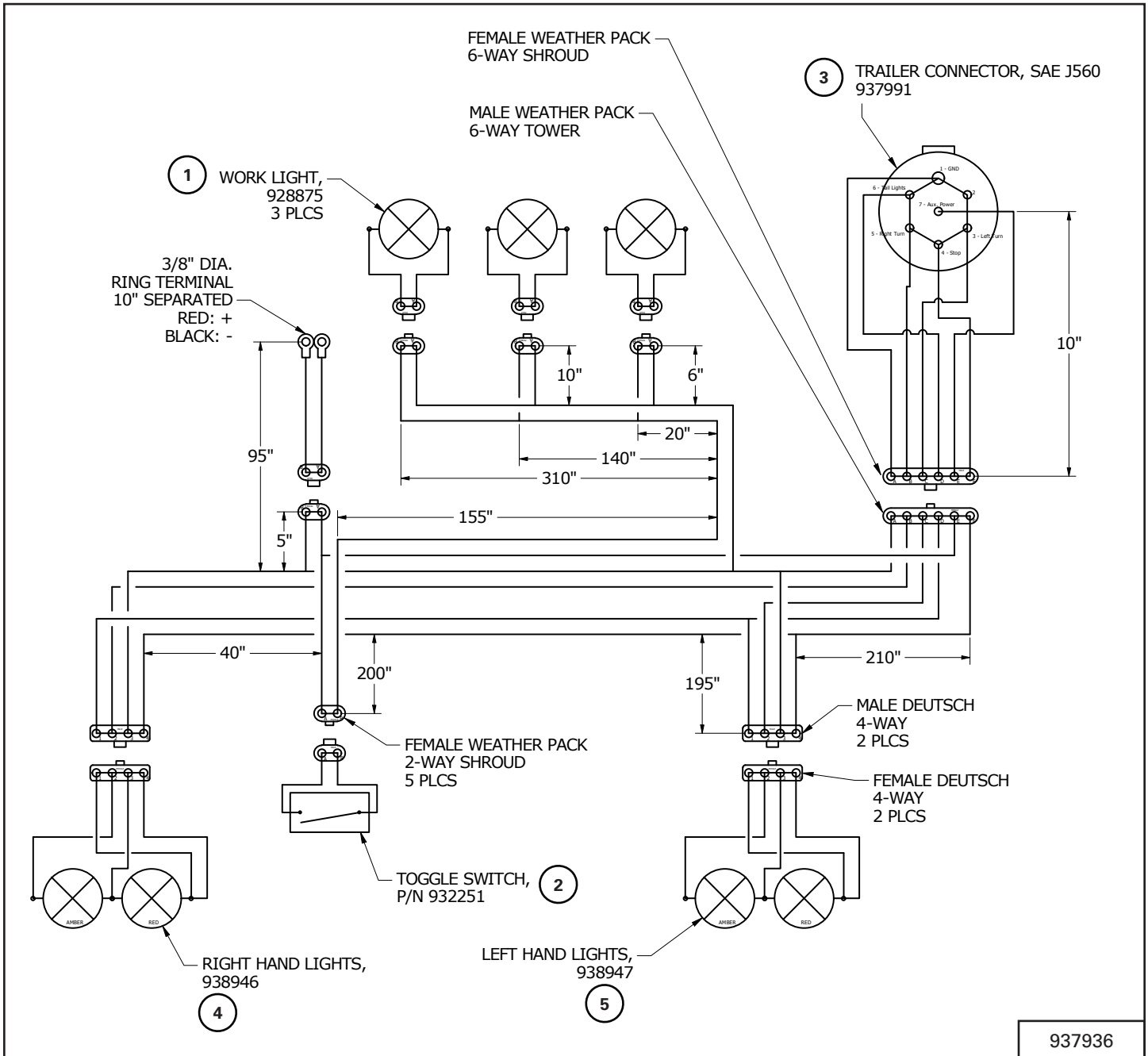
ITEM	PART NUMBER	DESCRIPTION	QTY.
1	81525	1/4" X 3/4" HEX BOLT (PL)	11
2	81546	5/16" FLAT WASHER (PL)	5
3	81549	5/16" X 3/4" HEX BOLT (PL)	5
4	84039	WASHER - 3/8" SAE FLAT (PL)	1
5	84498	1/4" LOCK NUT (PL)	11
6	86170	3/8" X 1" HEX BOLT GR.5 (PL)	1
7	812362	5/16" LOCK NUT (PL)	4
8	812363	3/8" LOCK NUT (PL)	1
9	812624	1/4" FLAT WASHER PL	11
10	919485	SUPPORT CLAMP-3/8 DIA	1
11	932094	DECAL-LIGHTS	1
12	933615	BRKT - WORKING LIGHT MOUNT	1
13	937369	BRKT - HANGER MOUNT	1
14	937374	BRKT - TRAILER LIGHT MOUNT	2
15	937419	RUBBER GROMMET	2
16	937932	C1352 LIGHT KIT	1
17	937974	BRKT - SWITCH MOUNT	1
18	937977	WELDT - LIGHT STAND	1
19	937979	3/8"-16 UNC X 3/4" THREAD CUTTING SCREW	11
20	967184	14 1/2" STRAP	5
21	SZ000566	5/16X0.406 HOLE VINYL DIP CLAMP	10

LIGHT KIT - 1362



ITEM	PART NUMBER	DESCRIPTION	QTY.
1	81525	1/4" X 3/4" HEX BOLT (PL)	11
2	81546	5/16" FLAT WASHER (PL)	5
3	81549	5/16" X 3/4" HEX BOLT (PL)	5
4	84039	WASHER - 3/8" SAE FLAT (PL)	1
5	84498	1/4" LOCK NUT (PL)	11
6	86170	3/8" X 1" HEX BOLT GR.5 (PL)	1
7	812362	5/16" LOCK NUT (PL)	4
8	812363	3/8" LOCK NUT (PL)	1
9	812624	1/4" FLAT WASHER PL	11
10	919485	SUPPORT CLAMP-3/8 DIA	1
11	932094	DECAL-LIGHTS	1
12	933615	BRKT - WORKING LIGHT MOUNT	1
13	935341	C1362 LIGHT KIT	1
14	937369	BRKT - HANGER MOUNT	1
15	937374	BRKT - TRAILER LIGHT MOUNT	2
16	937390	BRKT - LIGHT HOLDER	1
17	937419	RUBBER GROMMET	2
18	937974	BRKT - SWITCH MOUNT	1
19	937977	WELDT - LIGHT STAND	1
20	937979	3/8"-16 UNC X 3/4" THREAD CUTTING SCREW	12
21	967184	14 1/2" STRAP	5
22	SZ000566	5/16X0.406 HOLE VINYL DIP CLAMP	11

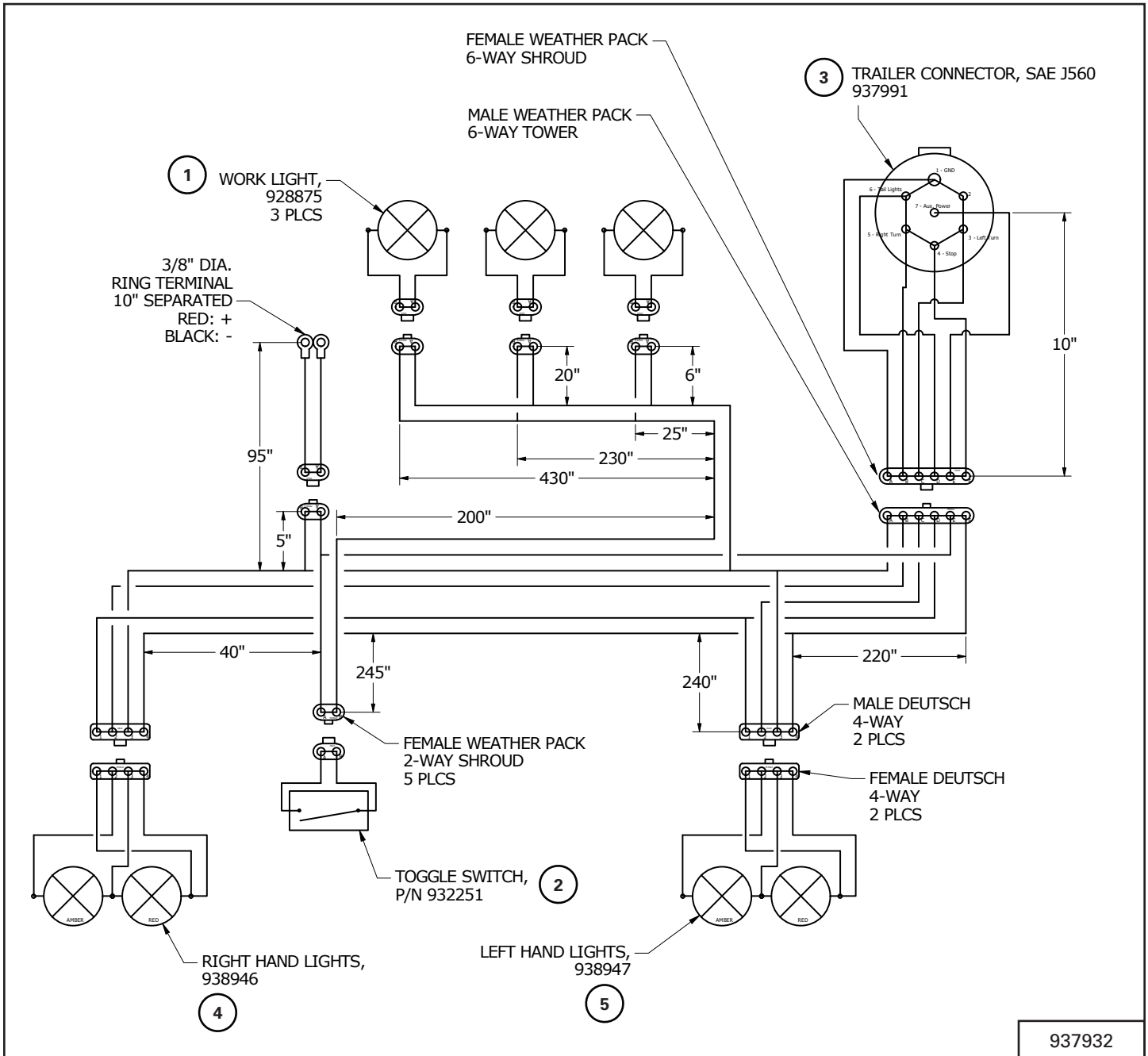
LIGHTS, HARNESS - 1342



937936

ITEM	PART NUMBER	DESCRIPTION	QTY.
1	928875	WORK LIGHT-LED	3
2	932251	TOGGLE SWITCH-SPST	1
3	937991	TRAILER CONNECTOR	1
4	938946	LED DUAL AG LIGHT, RIGHT	1
5	938947	LED DUAL AG LIGHT, LEFT	1
-	937994	C1342 LIGHT KIT - HARNESS ONLY	1

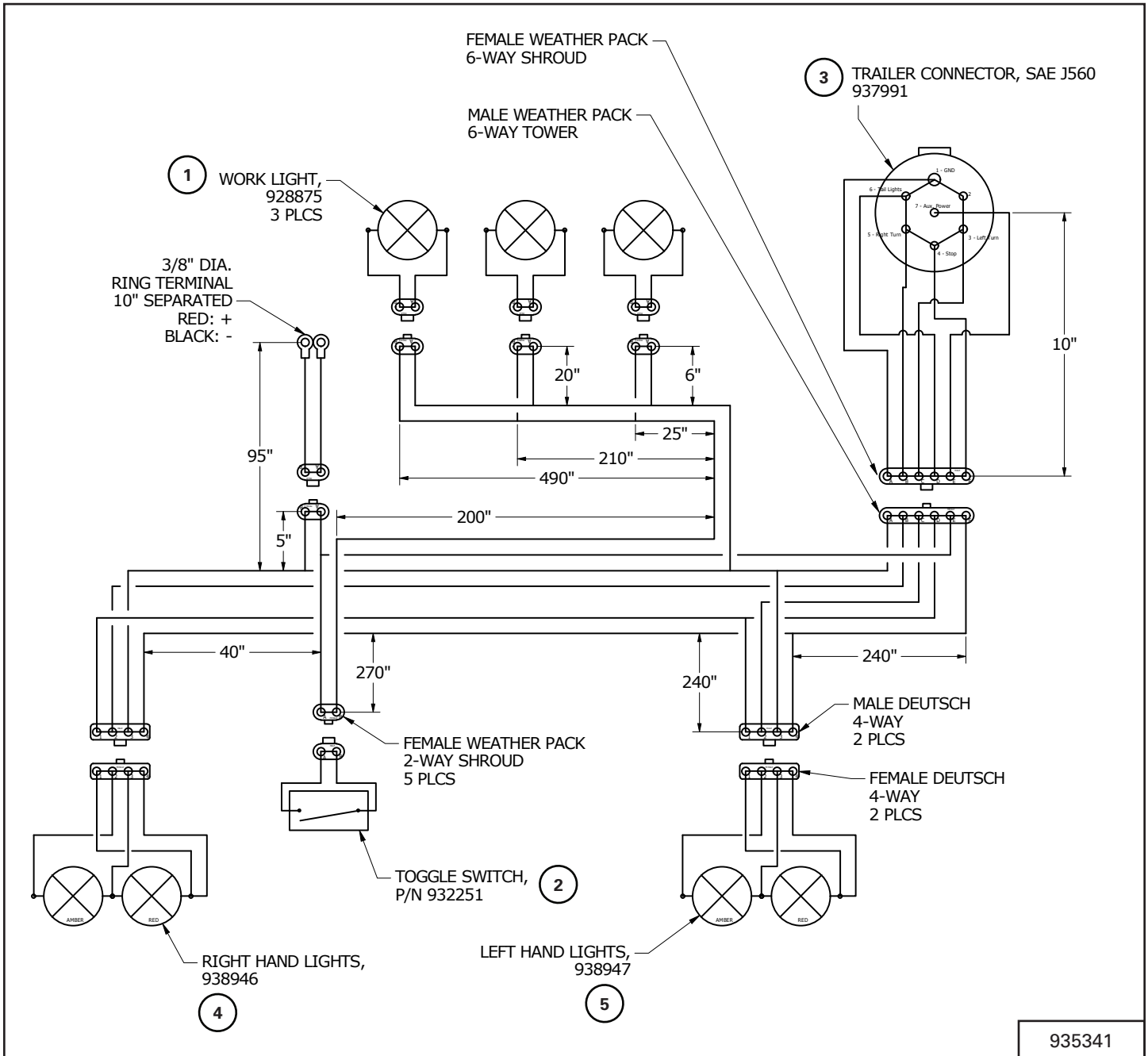
LIGHTS, HARNESS - 1352



937932

ITEM	PART NUMBER	DESCRIPTION	QTY.
1	928875	WORK LIGHT-LED	3
2	932251	TOGGLE SWITCH-SPST	1
3	937991	TRAILER CONNECTOR	1
4	938946	LED DUAL AG LIGHT, RIGHT	1
5	938947	LED DUAL AG LIGHT, LEFT	1
-	937995	C1352 LIGHT KIT - HARNESS ONLY	1

LIGHTS, HARNESS - 1362



935341

ITEM	PART NUMBER	DESCRIPTION	QTY.
1	928875	WORK LIGHT-LED	3
2	932251	TOGGLE SWITCH-SPST	1
3	937991	TRAILER CONNECTOR	1
4	938946	LED DUAL AG LIGHT, RIGHT	1
5	938947	LED DUAL AG LIGHT, LEFT	1
-	937996	C1342 LIGHT KIT - HARNESS ONLY	1

HARDWARE TORQUE VALUES

Metric Chart

NOTE: Do not use the values listed in the charts if a different torque value or tightening procedure is specified in this manual for a specific application. Torque values listed are for general use only.

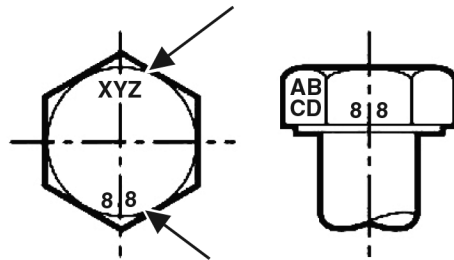
Use the following charts to determine the correct torque when checking, adjusting or replacing hardware. **Torque values are listed in newton-meters (inch* or foot pounds) for normal assembly applications.**

Nominal Size	Class 5.8		Class 8.8		Class 10.9		Lock nuts
	Unplated	Plated W / ZnCr	Unplated	Plated W / ZnCr	Unplated	Plated W / ZnCr	CL.8 w/ CL. 8.8 Bolt
M4	1.7 (15*)	2.2 (19*)	2.6 (23*)	3.4 (30*)	3.7 (33*)	4.8 (42*)	1.8 (16*)
M6	5.8 (51*)	7.6 (67*)	8.9 (79*)	12 (102*)	13 (115*)	17 (150*)	6.3 (56*)
M8	14 (124*)	18 (159*)	22 (195*)	28 (248*)	31 (274*)	40 (354*)	15 (133*)
M10	28 (21)	36 (27)	43 (32)	56 (41)	61 (45)	79 (58)	30 (22)
M12	49 (36)	63 (46)	75 (55)	97 (72)	107 (79)	138 (102)	53 (39)
M16	121 (89)	158 (117)	186 (137)	240 (177)	266 (196)	344 (254)	131 (97)
M20	237 (175)	307 (226)	375 (277)	485 (358)	519 (383)	671 (495)	265 (195)
M24	411 (303)	531 (392)	648 (478)	839 (619)	897 (662)	1160 (855)	458 (338)

NOTE: Torque values shown with * are inch pounds.

Identification of Hex Cap Screws and Carriage Bolts - Classes 5 and up

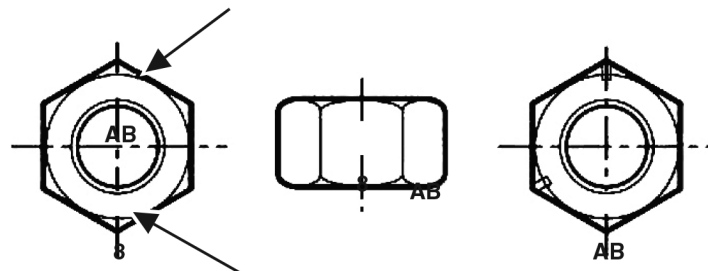
MANUFACTURER'S IDENTIFICATION



PROPERTY CLASS

Identification of Hex Nuts and Lock Nuts - Classes 5 and up

MANUFACTURER'S IDENTIFICATION



PROPERTY CLASS

Imperial Chart

NOTE: Do not use the values listed in the charts if a different torque value or tightening procedure is specified in this manual for a specific application. Torque values listed are for general use only.

Use the following charts to determine the correct torque when checking, adjusting or replacing hardware. **Torque values are listed in newton-meters (inch* or foot pounds) for normal assembly applications.**

Nominal Size	SAE Grade 5		SAE Grade 8		LOCK NUTS			
	Unplated or Plated Silver	Plated W / ZnCr Gold	Unplated or Plated Silver	Plated W / ZnCr Gold	Unplated or Plated Silver	Plated W / ZnCr Gold	Grade W / Gr. 5 Bolt	Grade W / Gr. 8 Bolt
1/4	6.2 (55*)	8.1 (72*)	9.7 (86*)	12.6 (112*)	13.6 (121*)	17.7 (157*)	6.9 (61*)	9.8 (86*)
5/16	13 (115*)	17 (149*)	20 (178*)	26 (229*)	28 (250*)	37 (324*)	14 (125*)	20 (176*)
3/8	23 (17)	30 (22)	35 (26)	46 (34)	50 (37)	65 (48)	26 (19)	35 (26)
7/16	37 (27)	47 (35)	57 (42)	73 (54)	80 (59)	104 (77)	41 (30)	57 (42)
1/2	57 (42)	73 (54)	87 (64)	113 (83)	123 (91)	159 (117)	61 (45)	88 (64)
9/16	81 (60)	104 (77)	125 (92)	163 (120)	176 (130)	229 (169)	88 (65)	125 (92)
5/8	112 (83)	145 (107)	174 (128)	224 (165)	244 (180)	316 (233)	122 (90)	172 (127)
3/4	198 (146)	256 (189)	306 (226)	397 (293)	432 (319)	560 (413)	217 (160)	306 (226)
7/8	193 (142)	248 (183)	495 (365)	641 (473)	698 (515)	904 (667)	350 (258)	494 (364)
1	289 (213)	373 (275)	742 (547)	960 (708)	1048 (773)	1356 (1000)	523 (386)	739 (545)

NOTE: Torque values shown with * are inch pounds.

Identification of Hex Cap Screws and Carriage Bolts



SAE GRADE 2 BOLTS



SAE GRADE 5 BOLTS



SAE GRADE 8 BOLTS



SAE GRADE 2 NUTS

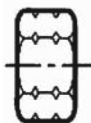


SAE GRADE 2 NUTS



SAE GRADE 2 NUTS

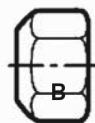
Identification of Hex Nuts and Lock Nuts



Grade A - No Notches

Grade B - One Circumferential Notch

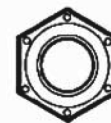
Grade C - One Circumferential Notches



Grade A - No Mark

Grade B - Letter B

Grade C - Letter C



Grade A - No Marks

Grade B - Three Marks

Grade C - Six Marks

(Marks not always located at corners)

FARM KING BASE LIMITED WARRANTY

Farm King provides this warranty only to original retail purchasers of its products. Farm King warrants to such purchasers that all Farm King manufactured parts and components used and serviced as provided for in the Operator's Manual shall be free from defects in materials and workmanship for a period following delivery to the original retail purchaser of two (2) years. This limited warranty applies only to those parts and components manufactured by Farm King. Parts and components manufactured by others are subject to their manufacturer's warranties, if any.

Farm King will fulfill this limited warranty by, at its option, repairing or replacing any covered part that is defective or is the result of improper workmanship, provided that the part is returned to Farm King within thirty (30) days of the date that such defect or improper workmanship is, or should have been, discovered. Parts must be returned through the selling representative and the buyer must prepay transportation charges.

Farm King will not be responsible for repairs or replacements that are necessitated, in whole or part, by the use of parts not manufactured by or obtained from Farm King. Under no circumstances are component parts warranted against normal wear and tear. There is no warranty on product pump seals, product pump bearings, rubber product hoses, pressure gauges, or other components that require replacement as part of normal maintenance.

Repair Parts Limited Warranty

Farm King warrants genuine Farm King replacement parts purchased after the expiration of the Farm King Limited Warranty, and used and serviced as provided for in the Operator's Manual, to be free from defects in materials or workmanship for a period of thirty (30) days from the invoice date for the parts. Farm King will fulfill this limited warranty by, at its option, repairing or replacing any covered part that is defective or is the result of improper workmanship, provided that the part is returned to Farm King within thirty (30) days of the date that such defect or improper workmanship is, or should have been, discovered. Such parts must be shipped to the Farm King factory at the purchaser's expense.

What Is Not Covered

Under no circumstances does this limited warranty cover any components or parts that have been subject to the following: negligence; alteration or modification not approved by Farm King; misuse; improper storage; lack of reasonable and proper maintenance, service, or repair; normal wear; damage from failure to follow operating instructions; accident; and/or repairs that have been made with parts other than those manufactured, supplied, and or authorized by Farm King.

Authorized Dealer And Labor Costs

Repairs eligible for labor under this limited warranty must be made by Farm King or an authorized Farm King dealer. Farm King retains the exclusive discretion to determine whether it will pay labor costs for warranty repairs or replacements, and the amount of such costs that it will pay and the time in which the repairs will be made. If Farm King determines that it will pay labor costs for warranty work, it will do so by issuing a credit to the dealer's or distributor's account. Farm King will not approve or pay invoices sent for repairs that Farm King has not previously approved. Warranty service does not extend the original term of this limited warranty. Payment of labor costs will only be considered on repairs made to manufactured parts and components that have been found defective during a period of one (1) year following delivery to the original retail purchaser.

Warranty Requirements

To be covered by warranty, each new product must be registered with Farm King within thirty (30) days of delivery to original retail purchaser. If the customer decides to purchase replacement components before the warranty disposition of such components is determined, Farm King will bill the customer for such components and then credit the replacement invoice for those components later determined to be covered by this limited warranty. Any such replacement components that are determined not to be covered by this limited warranty will be subject to the terms of the invoice and shall be paid for by the purchaser.

EXCLUSIVE EFFECT OF WARRANTY AND LIMITATION OF LIABILITY

TO THE EXTENT PERMITTED BY LAW, FARM KING DISCLAIMS ANY WARRANTIES, REPRESENTATIONS, OR PROMISES, EXPRESS OR IMPLIED, AS TO THE QUALITY, PERFORMANCE, OR FREEDOM FROM DEFECT OF THE COMPONENTS AND PARTS COVERED BY THIS WARRANTY AND NOT SPECIFICALLY PROVIDED FOR HEREIN.

TO THE EXTENT PERMITTED BY LAW, FARM KING DISCLAIMS ANY IMPLIED WARRANTIES OF MERCHANTABILITY AND FITNESS FOR A PARTICULAR PURPOSE ON ITS PRODUCTS COVERED HEREIN, AND DISCLAIMS ANY RELIANCE BY THE PURCHASER ON FARM KING'S SKILL OR JUDGMENT TO SELECT OR FURNISH GOODS FOR ANY PARTICULAR PURPOSE. THE PURCHASER'S ONLY AND EXCLUSIVE REMEDIES IN CONNECTION WITH THE BREACH OR PERFORMANCE OF ANY WARRANTY ON FARM KING'S PRODUCTS ARE THOSE SET FORTH HEREIN. IN NO EVENT SHALL FARM KING BE LIABLE FOR INCIDENTAL OR CONSEQUENTIAL DAMAGES (INCLUDING, BY WAY OF EXAMPLE ONLY AND NOT LIMITATION, LOSS OF CROPS, LOSS OF PROFITS OR REVENUE, OTHER COMMERCIAL LOSSES, INCONVENIENCE, OR COST OF REPLACEMENT OF RENTAL EQUIPMENT). IN NO EVENT SHALL FARM KING'S CONTRACT OR WARRANTY LIABILITY EXCEED THE PURCHASE PRICE OF THE PRODUCT. (Note that some states do not allow limitations on how long an implied warranty lasts or the exclusion or limitation of incidental or consequential damages, so the above limitations and exclusion may not apply to you.) This warranty gives you specific legal rights and you may also have other rights, which vary from state to state.

Farm King neither assumes nor authorizes any person or entity, including its selling representatives, to assume any other obligations or liability in connections with the sale of covered equipment, or to make any other warranties, representations, or promises, express or implied, as to the quality, performance, or freedom from defect of the components and parts covered herein. No one is authorized to alter, modify, or enlarge this limited warranty, or its exclusions, limitations and reservations.

Corrections of defects and improper workmanship in the manner, and for the applicable time periods, provided for herein shall constitute fulfillment of all responsibilities of Farm King to the purchaser, and Farm King shall not be liable in negligence, contract, or on any other basis with respect to the subject equipment.

This limited warranty is subject to any existing conditions of supply which may directly affect Farm King's ability to obtain materials or manufacturer replacement parts.

Buhler Industries Inc. reserves the right to make improvements in design or changes in specifications to its products at anytime, without incurring any obligation to owners of units previously sold.

www.farm-king.com

Farm King

301 Mountain Street South
Morden, MB R6M 1X7
E-mail: info@buhler.com
www.farm-king.com

Equipment shown is subject to change without notice.
©2020 Buhler Trading Inc. Printed in Canada TSX: BUI