

Farm King

OPERATOR AND PARTS MANUAL

Tedder

Models G2P - G2LP

Table of Contents

Introduction4

Safety.....4

- Safety Instruction5
- General Safety6
- Operating Safety6
- Safety Decals and Precautions.....7

Assembly.....8

- Assembly for Pull Type Models G2P - G2LP8
- Assembly for 3-Point Hitch Models G2P - G2LP8

Operation9

- Operation for Pull Type Models G2P - G2LP9
- Operation for 3-Point Hitch Models G2 - G2LP9

Maintenance 10

- Lubrication Chart 10
- Transport..... 11
- Working Speeds 11
- Greasing/Lubrication 11

Part Drawings.....12

- Pull Type G2P - G2LP - Table 3 12
- 3-Point Hitch G2P - G2LP - Table 4..... 14
- Tedder Assembly G2P - G2LP - Table 1B 16
- Tedder Assembly G2P - G2LP - Table 1 18
- Rotor Group G2P - G2LP - Table 222
- PTO G2P - G2LP - Table 524

Warranty28

Manufacturer’s statement: for technical reasons Buhler Industries Inc. reserves the right to modify machinery design and specifications provided herein without any preliminary notice. Information provided herein is of descriptive nature. Performance quality may depend on soil fertility, applied agricultural techniques, weather conditions and other factors.

Introduction

Farm King offers a wide range of pull type and 3-point hitch hay tedders for spreading, aerating and turning all types of forage allows a homogeneous and anticipated drying of the product obtaining a high quality forage. It is ideal for all types of ground even hilly ones. Our machines are characterized by robustness, easy management and long duration over time. The hay tedders are available with two and six rotors with mechanical and hydraulic versions.

Keep this manual handy for frequent reference. All new operators or owners must review the manual before using the equipment and at least annually thereafter. Contact your Farm King Dealer if you need assistance, information, or additional copies of the manual. Visit our website at www.farm-king.com for a complete list of dealers in your area.

The directions left, right, front and rear, as mentioned throughout this manual, are as seen facing in the direction of travel of the implement.

Safety

Safety Instructions

Remember, YOU are the key to safety. Good safety practices not only protect you, but also the people around you. Make these practices a working part of your safety program. Be certain that everyone operating this equipment is familiar with the recommended operating and maintenance procedures and follows all the safety precautions. Most accidents can be prevented. Do not risk injury or death by ignoring good safety practices.

The alert symbol is used throughout this manual. It indicates attention is required and identifies hazards. Follow the recommended precautions.



The safety alert symbol means...
ATTENTION! BECOME ALERT! YOUR SAFETY IS INVOLVED!



CAUTION

The caution symbol indicates a potentially hazardous situation that, if not avoided, may result in minor or moderate injury. It may also be used to alert against unsafe practices.



WARNING

The Warning Symbol indicates a potentially hazardous situation that, if not avoided, could result in death or serious injury, and includes hazards that are exposed when guards are removed. It may also be used to alert against unsafe practices.



DANGER

The Danger Symbol indicates an imminently hazardous situation that, if not avoided will result in death or serious injury. This signal word is to be limited to the most extreme situations, typically for machine components that, for functional purposes, cannot be guarded.

General Safety


- Read and understand the Operators Manual.
- Stop tractor engine and set parking brake before leaving operators platform.
- Keep riders off the machine.
- Make certain everyone is clear of the machine before starting the tractor engine and operating.
- Keep shields in place.
- Never lubricate, adjust, unclog, or service the machine with tractor engine running.
- Wait for all movement to stop before servicing.
- Keep hands, feet and clothing away from moving parts.
- Use flashing warning lights when operating on highways except when prohibited by law.
- Maximum transport speed should not exceed 20 mph (32 km/h).
- Tractor must be equipped with Rollover Protective Structure (ROPS) and seatbelt.

Operating Safety

- In addition to equipment configuration and design, hazard control and accident prevention depends on awareness, concern, prudence and proper training of personnel in the operation, maintenance, transport and storage of equipment.
- Always shut off tractor engine, disengage PTO, shift to park position (or shift to neutral), set brakes and allow machine to completely stop before dismounting tractor or working around the machine.
- Remove tractor start key when tractor and implement will be unattended.
- Do not attempt to lubricate or adjust tedder while machine is in operation.
- Machinery operation should be performed only by persons who are responsible and delegated to do so.
- Only the operators should be permitted on the tractor when tractor and tedder are moving. Never permit anyone to ride on the tedder.
- Wear personal protective equipment (PPE) such as, but not limited to, protection for eyes, lungs, ears, head, hands and feet when operating tractor or tedder.
- Do not leave tractor or implement unattended with tractor engine running.
- Never attempt to operate the tedder unless sitting in the drivers seat.
- Keep all guards and shields in place when machine is in operation.
- Do not stand between tractor and tedder to install hitch pin when tractor engine is running.
- Regulate ground speed to field conditions and maintain control at all times.
- Do not allow children to ride on, play on, or operated equipment. Always keep children away from equipment operating, servicing and storage areas.
- Be sure tractor is in safe operating condition and has adequate braking capabilities.
- Tractor should be equipped with rollover protective structure (ROPS) and a seat belt. Use the seat belt during operation.
- Detach and store tedder where children do not normally play. Always block the wheels.
- Avoid wearing loose-fitting clothing and tie up long hair that can be caught in moving parts.

Safety Decals and Precautions

	<p>⚠ DANGER</p> <p><i>Stay clear to...</i></p> <ul style="list-style-type: none">. Avoid entanglement. Avoid thrown objects	
---	---	---

	<p>⚠ DANGER</p> <ul style="list-style-type: none">. Keep away from rotating driveline.. Keep driveline shields, implement shields, and tractor PTO master shield in place and in good repair.. Operate only with 540 rpm PTO.
---	--

	<p>⚠ WARNING</p> <p>Install hitch jack and tip rotors forward with adjustment crank before removing tractor hitch pin.</p>
---	---

Assembly Instructions

Assembly for Pull Type Models G2P - G2LP

1. Connect the drawbar (N° 1, Tab. 3) to central body group (A, Tab. 3) and fasten it to upper with drawbar rod (N° 15, Tab. 3). Place adjustment crank as shown in table 3, reference A.
Connect fork (N° 12, Tab. 3) of crank (N° 2, Tab. 3) in lower part and fasten with screw TE 20 x 70 (N° 13, Tab. 3). Mount PTO shaft protection guard (N° 1, Tab. 1B) and fasten tight with clamp (N° 2, Tab. 1B). Assemble drawbar casing (N° 18, Tab. 3) and fasten with screw TE 6 x 25 (N° 7, Tab. 3).
2. Turn main body over and install wheel spindle (N° 28 and N° 38 Tab. 1B) into bushing. Secure with rollpins 10 x 60 N° 26, Tab. 1B).
Important: Be sure wheels face inward with wheels spindles angled forward toward front of machine (See drawing, Tab. 1B)
3. Turn tedder upright in normal position and mount tine arms (N° 20, Tab. 1B) on rotor discs and fasten with screws TE 12 x 30 (N° 16, Tab. 1B) and self locking nuts (N° 17, Tab. 1B) and respect inclination of spring (Tab. 1B).
4. Mount protection guards (N° 39, Tab 1B) and fasten with screws TE 10 x 50 (N° 40, Tab. 1B).
5. Mount PTO shaft on tedder and connect to tractor in order to avoid damage it is important that PTO shaft slides out at least 4 to 8" (10 to 20 cm) once the two ends of PTO shaft have been connected between tractor and tedder.

Assembly for 3-Point Hitch Models G2P - G2LP

1. Mount transport arch (N° 1, Tab. 4) to left and right attachment bars (N° 8-9, Tab. 4) and connect to central body of tedder (A, Tab. 4) using screws TE 18 x 55 (N° 6, Tab. 4). Mount PTO protection guard (N° 1, Tab. 1B) and fasten with clamp (N° 2, Tab. 1B).
2. Turn main body over and install the two pivoting wheels (N° 50 and 51, Tab. 1) into bushing N° 44 (Fig. B, Tab 1) and secure with screw (N° 49, Tab 1) and nut (N° 48, Tab 1).
Important: Be sure wheels face inward with wheel spindles angled forward toward front of machine (see drawing, Tab. 1B). Before operating tedder unblock pivoting wheels by pulling back lock (N° 46, Fig. B - Tab. 1B).
Turn main body over and insert foot support (N° 5, Tab. 4).
3. Mount tine arms (N° 20, Tab. 1B) on rotor discs and fasten with screws TE 12 x 30 (N° 16, Tab. 1B) and self locking nuts (N° 17, Tab. 1B) and respect inclination of spring (Tab. 1B). Mount protection guards (N° 39, Tab. 1B) and fasten with screws (N° 40, Tab. 1B). Connect the two lower hitch points of transport arch to the two lower arms of tractor and fasten upper link to 3-point hitch arm.
4. Connect PTO shaft to the tractor PTO. In order to avoid damage to PTO shaft we recommend that shaft slides out about 8 to 12" (20-30 cm) after two PTO joints are connected between tractor and tedder.

Operation Instructions

Operation for Pull Type Models G2P-G2LP





















1. Once in field, incline rotors using crank (N° 2, Tab. 3) so that front teeth of rotors are 1" to 1-1/2" (3-4 cm) from ground level.

Operation for 3-Point Hitch Models G2P-G2LP

1. Also in this case make sure that before starting work, front tedding teeth of rotors are 1 to 1-1/2" (3-4 cm) from ground level. This is done by adjusting the upper link of the three point hitch and not by using the hydraulics of tractor.

Maintenance

Lubrication Chart

Item	Lube Points	10 Hrs (Daily)	50 Hrs (Weekly)	200 Hrs (Annually)	Beginning of Season	End of Season
Driveline U-joints and Shaft	6					
Tilt Crank Threads	1					
Gearbox	1					
Rotor Pivots	2 or 4					
Rotor Gearset	2 or 4					
Lift Linkage	-					
Jack	1					



Check; add fluid if necessary



Lubricate with pressure gun, using multipurpose grease



Lubricate with a few drops of light oil



Drain and replace with SAE #140 gear oil

Transport

On tedder models G2P-G2LP dimensions can be reduced by pulling back arm teeth carriers (N° 20, Tab. 1) and by pulling up protection guards (N° 39, Tab 1); then block 2 rotors by lowering pin (N° 42, Tab. 1B) in detail (see Fig A, Tab 1B).

Important: Do not engage PTO with tine arms in transport position or with rotor lock in place.

Working Speeds

We recommend to follow below indicated working speeds:

Working speeds are determined by:

- Hay moisture
- Hay density
- Composition of hay

For hay with high moisture, 4-5 mph (7-8 km/h).

For dry hay, 6-9 mph (10-15 km/h).

Greasing/Lubrication

Before operating tedder make sure to control if rotor pivots (Pos. 19, Tab 1) and rotor gearsets (Pos. 19, Tab 1) are well greased.

Remember that improper lubrication will cause rotor bearing failures and possible gear failures. Our company will not be responsible for damages caused by not following our greasing and lubrication instructions.

Pivot rotors: Pos. 19, Tab.1. If grease is missing, please check, usually on initial setup tedder requires.

Pivot rotors:

Pos. 19, Tab 1. If grease is missing, please check, usually on initial setup tedder requires at least 20 pumps of multipurpose grease into pivot rotor cavity. Grease every 10 hours in normal working conditions. Severe or unusual conditions may require more frequent greasing. Position of grease zerk for each rotor is N° 19, table 1.

Rotor gearsets:

Pos. 19, Tab 1. If grease is missing, please check, initial setup will require at least 25 pumps of multipurpose grease into rotor gearset cavity. We suggest that you turn rotors by hand as gearsets are lubricated to ensure that bevel gears get thoroughly greased. Grease every 10 hours in normal conditions.

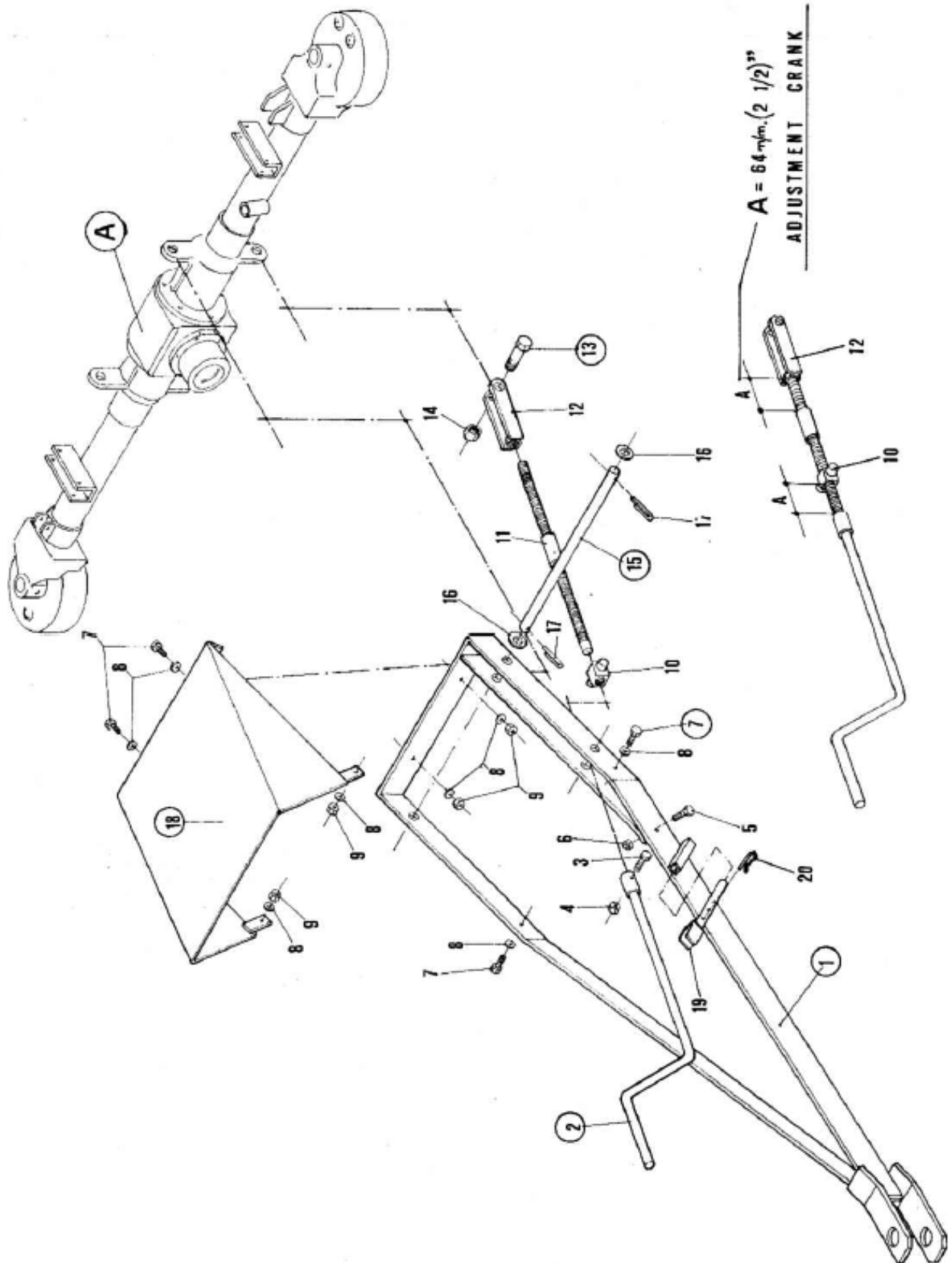
Severe or unusual conditions may require more frequent lubrication.

Grease zerks are placed on top of each rotor and visible to eye.

Before starting working operations check oil level in gearbox and if necessary add oil, SAE 140:

- Every 20 working hours check oil level and grease levels.
- Every 10 working hours make sure all screws and nuts are well tightened.
- Change oil after 200 working hours.

Pull Type G2P - G2LP - Table 3

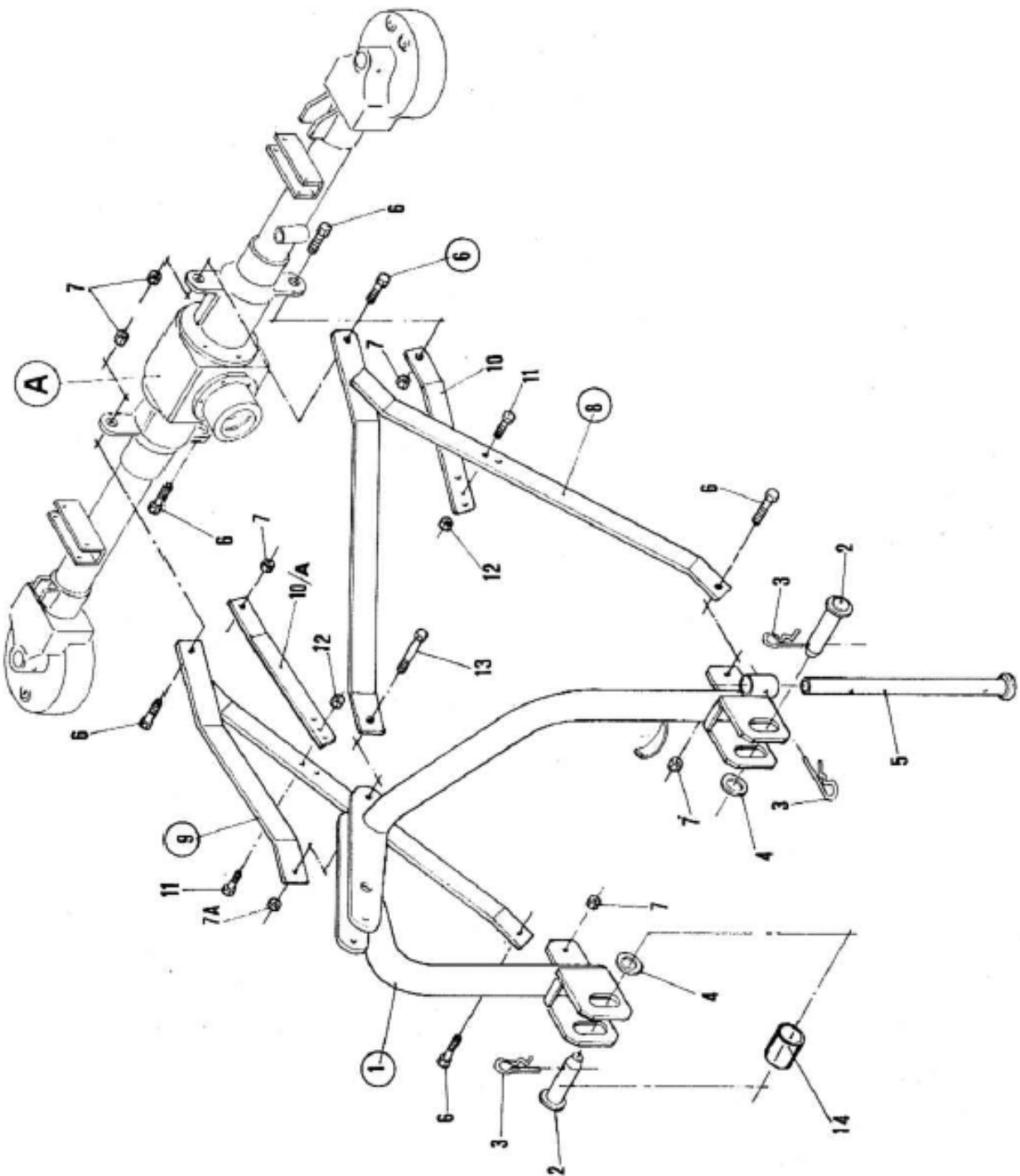


When Ordering Parts

Always give your dealer the Model, Color and Serial Number of your machine to assist him in ordering and obtaining the correct parts. Use the exploded view and tabular listing of the area of interest to exactly identify the required part.

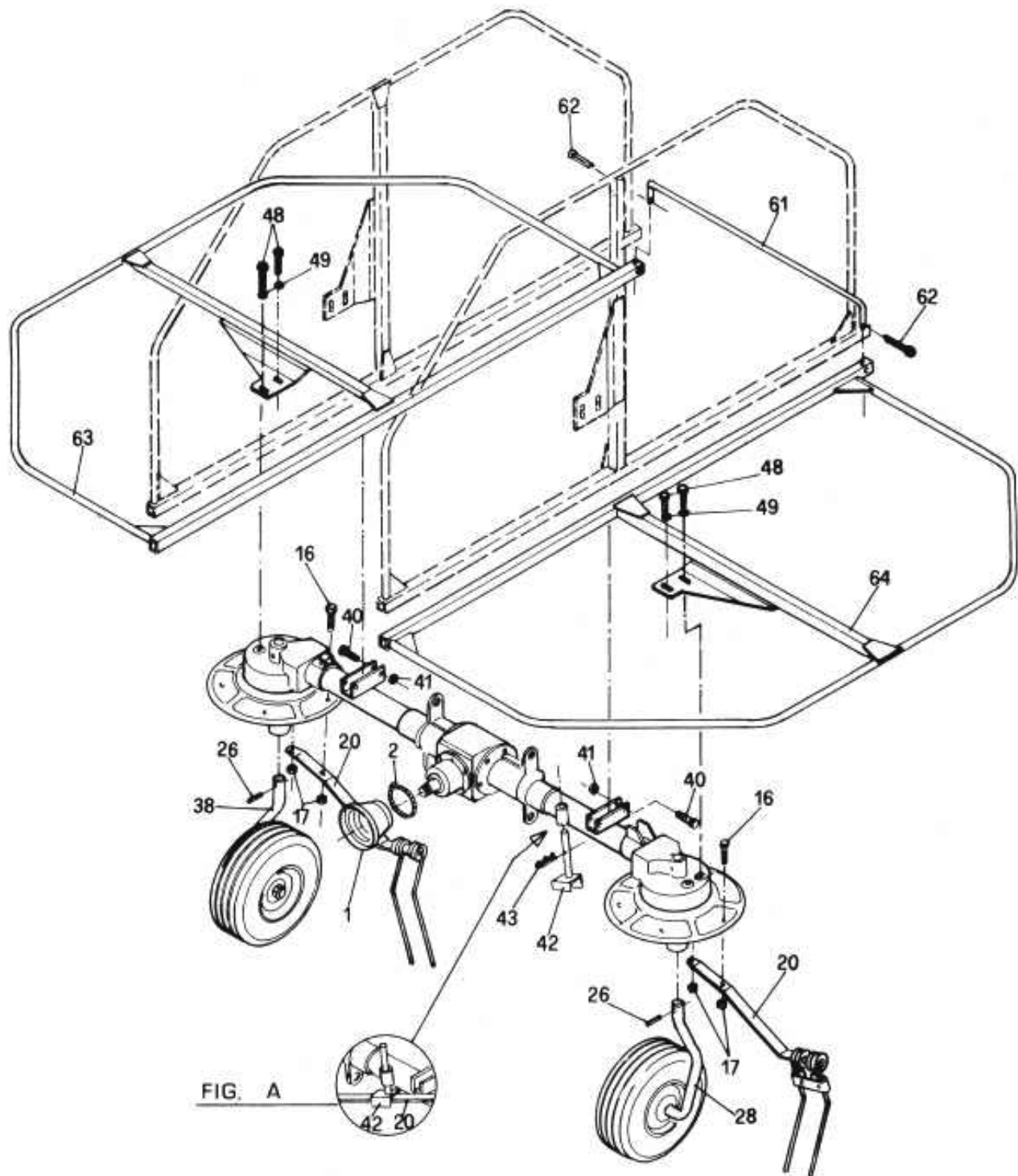
Item	Models	Part #	Description
1	G2P-G2LP	18030651	Drawbar
2	G2P-G2LP	18030652	Crank
3	G2P-G2LP	3011252	Screw TE 8 x35
4	G2P-G2LP	3020209	Self Locking Nut 8 MA
5	G2P-G2LP	3011216	Screw Te 12 x 35 UNI 5737
6	G2P-G2LP-G4L-G4LPE	3020202	Self Locking Nut M 12
7	G2P-G2LP	3011601	Screw TE 6 x 25
8	G2P-G2LP	3030160	Washer 6 x 18
9	G2P-G2LP	3020213	Self Locking Nut 6 MA
10	G2P-G2LP	12070316	Split Nut 6 MA
11	G2P-G2LP	12760118	Threaded Tie Rod 20 MA (R&L)
12	G2P-G2LP	18030653	Fork
13	G2P-G2LP	3011299	Screw TE 20 x 70
14	G2P-G2LP	3020216	Self Locking Nut 20 MA
15	G2P-G2LP	180030654	Drawbar Rod
16	G2P-G2LP	3030134	Washer 20
17	G2P-G2LP	3040103	Roll Pin 4 x 40
18	G2P-G2LP	18030665	Drawbar Casing
19	G2P-G2LP-G4L-G4LPE	18030691	Crank Holder
20	G2P-G2LP-G4L-G4LPE	3040201	Clip Pin 3 x 60

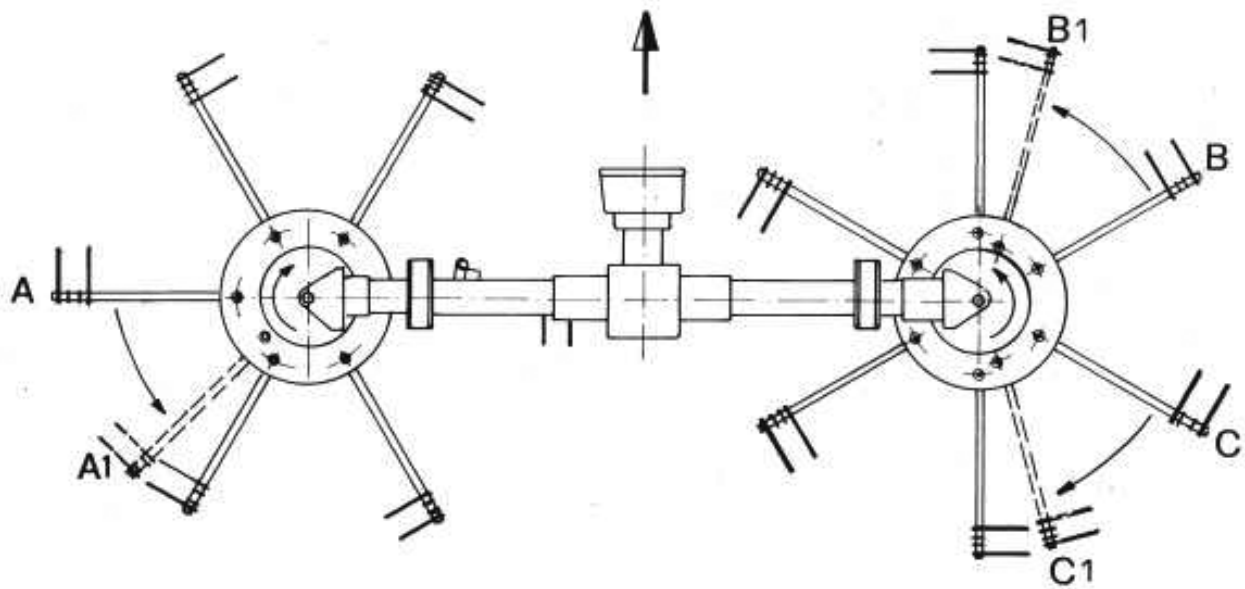
3-Point Hitch G2P - G2LP - Table 4



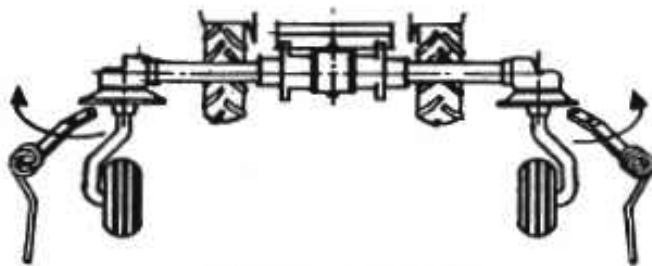
Item	Models	Part #	Description
1	G2P-G2LP-G4L-G4LPE	18030646	Transport Frame
2	G2P-G2LP-G4L-G4LPE	12880513	Arms Attachment Pin
3	G2P-G2LP-G4L-G4LPE	3040202	Split Pin R5 x 130
4	G2P-G2LP-G4L-G4LPE	3030176	Flat Washer 22
5	G2P-G2LP-G4L-G4LPE	18030647	Leg Support 26, 89 L 710
6	G2P-G2LP-G4L-G4LPE	3011218	Bolt 18 x 55
7	G2P-G2LP-G4L-G4LPE	3020214	Self Locking Nut 18 MA
7A	G2P-G2LP-G4L-G4LPE	3020204	Self Locking Nut 16 MA
8	G2P-G2LP	18030648	Left Attachment Bar
9	G2P-G2LP	18030649	Right Attachment Bar
10	G2P-G2LP	18030650	Left Height Adjustment Bar
10A	G2P-G2LP	18030617	Right Height Adjustment Bar
11	G2P-G2LP	3011632	Screw TE 14 x 45
12	G2P-G2LP	3020203	Self Locking Nut 14 MA
13	G2P-G2LP-G4L-G4LPE	3011295	Screw TE 16 x 130
14	G2P-G2LP-G4L-G4LPE	12920101	Bushing for Pin

Tedder Assembly G2P - G2LP - Table 1B





*A - B - C : WORKING POSITION
A1 - B1 - C1 : TRANSPORT POSITION*

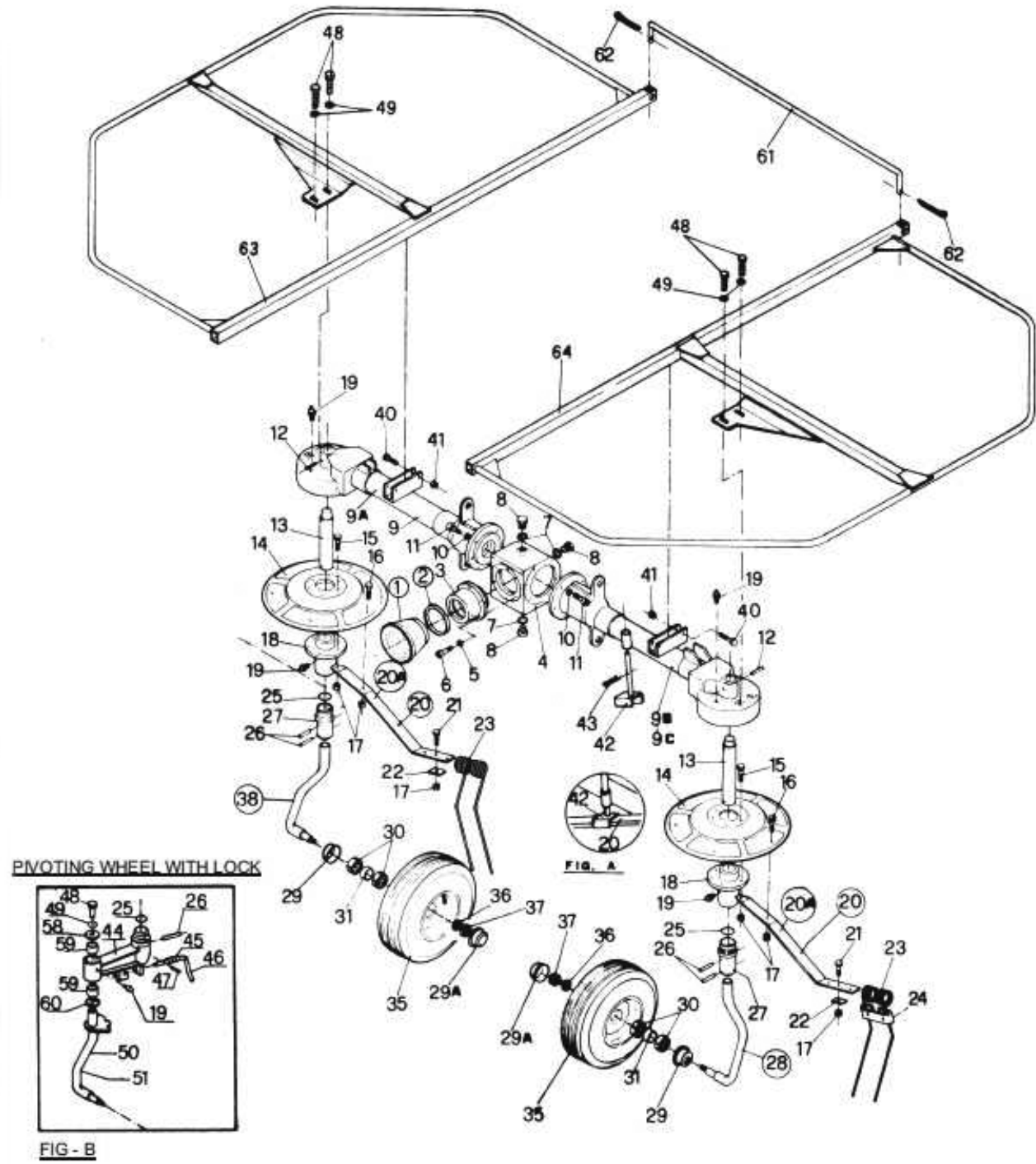


WORKING POSITION



WHEEL POSITION

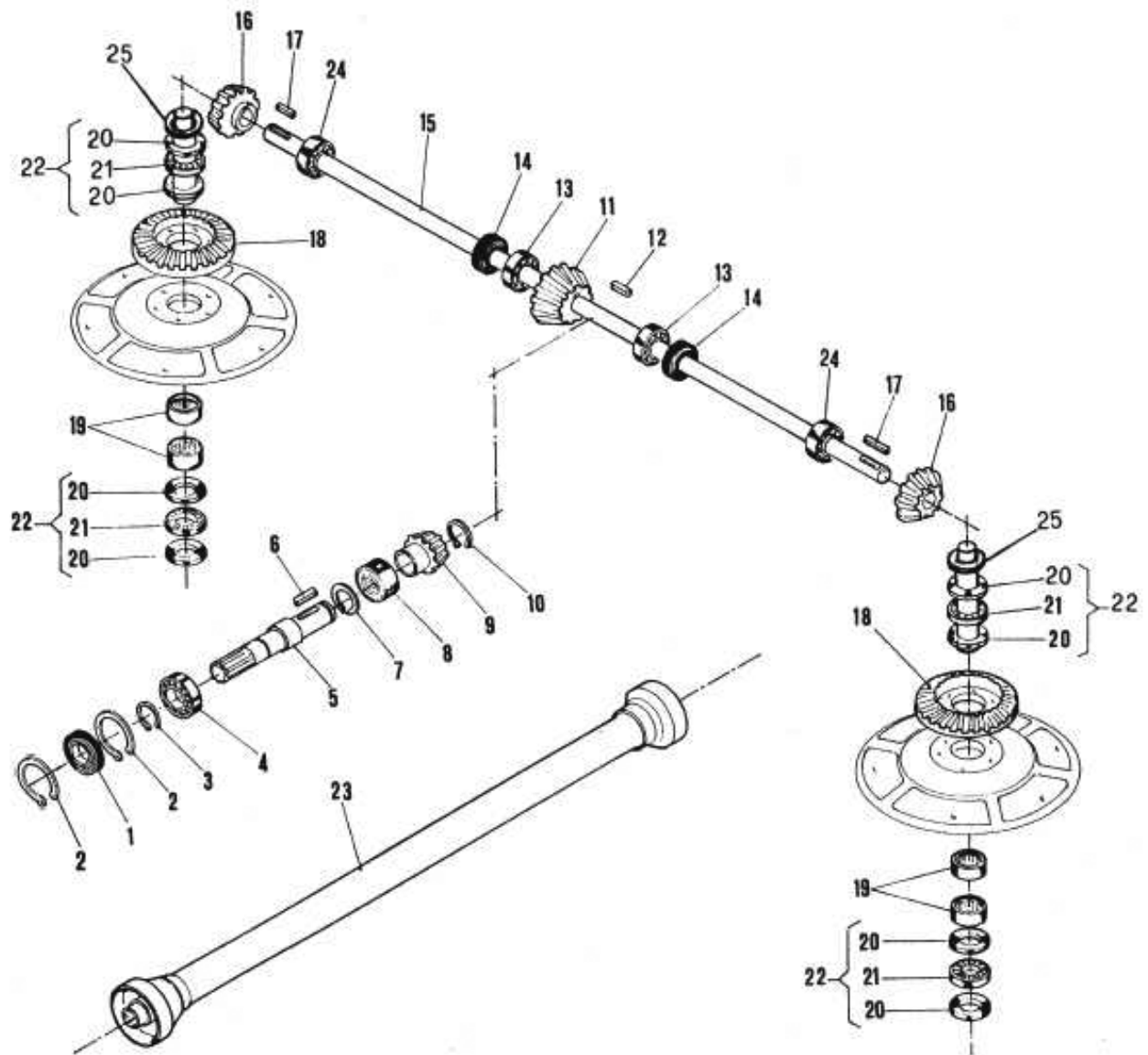
Tedder Assembly G2P - G2LP - Table 1



Item	Models	Part #	Description
1	G2P-G2LP-G4L-G4LPE	9070101	Protection Guard
2	G2P-G2LP-G4L-G4LPE	4010702	Clamp 80 +100
3	G2P-G2LP-G4L-G4LPE	18030657	Central Gearbox Coupling
4	G2P-G2LP-G4L-G4LPE	18030657	Central Gearbox 180
5	G2P-G2LP-G4L-G4LPE	3030704	Schnor Washer 8
6	G2P-G2LP-G4L-G4LPE	3010606	Screw T.C.C.E.I M 8 x 20
7	G2P-G2LP-G4L-G4LPE	303048	Copper Washer 14
8	G2P-G2LP-G4L-G4LPE	3010232	Screw TE M 14 x 20
9	G2P	18030658	Right Arm
9A	G2LP	18030659	Right Arm
9B	G2P	18030660	Left Arm
9C	G2LP	18030661	Left Arm
10	G2P-G2LP-G4L-G4LPE	3030703	Lockwasher 12
11	G2P-G2LP-G4L-G4LPE	3010607	Screw T.C.C.E.I M 12 x 25
12	G2P-G2LP-G4L-G4LPE	3080129	Roll Pin 10 x 70
13	G2P-G2LP-G4L-G4LPE	12060901	Terminal Pin 35 x 240
14	G2P-G2LP-G4L-G4LPE	18030643	Arm Linkage Flange
15	G2P-G2LP-G4L-G4LPE	3010601	Screw T.C.C.E.I 12 x 50
16	G2P-G2LP-G4L-G4LPE	3011241	Screw TE 12 x 30
17	G2P-G2LP-G4L-G4LPE	3020202	Self Locking Nut M 12
18	G2P-G2LP-G4L-G4LPE	18030662	Crown Coupling
19	G2P-G2LP-G4L-G4LPE	3090101	Greaser 8 MB
20	G2P	18030619	Spring Arm
20A	G2LP-G4LPE	18030620	Spring Holder Arm
21	G2P-G2LP-G4L-G4LPE	3011297	Screw TE 12 x 45
22	G2P-G2LP-G4L-G4LPE	18030627	Spring Clamp
23	G2P-G2LP-G4L-G4LPE	18030616	Spring
24	G2P-G2LP-G4L-G4LPE	18030644	Tooth Safety Clamp (Optional)
25	G2P-G2LP-G4L-G4LPE	10010604	O-Ring 44, 45 x 3,53
26	G2P-G2LP-G4L-G4LPE	3080128	Spring Pin 10 x 60
27	G2P-G2LP-G4L-G4LPE	12880509	Fixed Wheel Axle Bush
28	G2P-G2LP-G4L-G4LPE	18031508	Fixed Wheel Axle
29	G2P-G2LP-G4L-G4LPE	12070314	Internal Dust Shield 25
29A	G2P-G2LP-G4L-G4LPE	12070315	External Dust Shield 16
30	G2P-G2LP-G4L-G4LPE	12240113	Bearing 6205 2RS
31	G2P-G2LP-G4L-G4LPE	12070307	Spacer 25
35	G2P-G2LP-G4L-G4LPE	12170103	Complete Wheel 15-600-6

Item	Models	Part #	Description
36	G2P-G2LP-G4L-G4LPE	3030175	Washer 16
37	G2P-G2LP-G4L-G4LPE	3020204	Self Lock Nut 16 MA
38	G2P-G2LP-G4L-G4LPE	18031507	Right Wheel Axle
40	G2P-G2LP	3011246	ScrewTE 10 x 50
41	G2P-G2LP-G4L-G4LPE	3020201	Self Locking Nut M10
42	G2P-G2LP	18030637	Rotors Lock
43	G2P-G2LP-G4L-G4LPE	3040201	Clip Pin 3 x 60
44	G2P-G2LP-G4L-G4LPE	28031103	Pivot Wheel Attachment
45	G2P-G2LP-G4L-G4LPE	11010603	Spring
46	G2P-G2LP-G4L-G4LPE	12880504	Locking Handle
47	G2P-G2LP-G4L-G4LPE	3080103	Spring Pin 6 x 40
48	G2P-G2LP-G4L-G4LPE	3011211	ScrewTE 10 x 25 5739
49	G2P-G2LP-G4L-G4LPE	3030159	Washer M10
50	G2P-G2LP-G4L-G4LPE	18031101	Crazy Wheel Axle R
51	G2P-G2LP-G4L-G4LPE	18031102	Crazy Wheel Axle L
58	G4L-G4LPE-G2P-G2LP	18041104	Washer 55-11-6
59	G2P-G2LP-G4L-G4LPE	12240152	Glycodur Bearing 30 x 34 x 30 F
60	G2P-G2LP-G4L-G4LPE	12280203	Glycodur Washer 32 x 54 x 45
61	G2LP	18031119	Protection Guard Rod
62	G2LP	3040103	Roll Pin 4 x 40
63	G2LP	18031501	Right Protection Guard
64	G2LP	18031502	Left Protection Guard

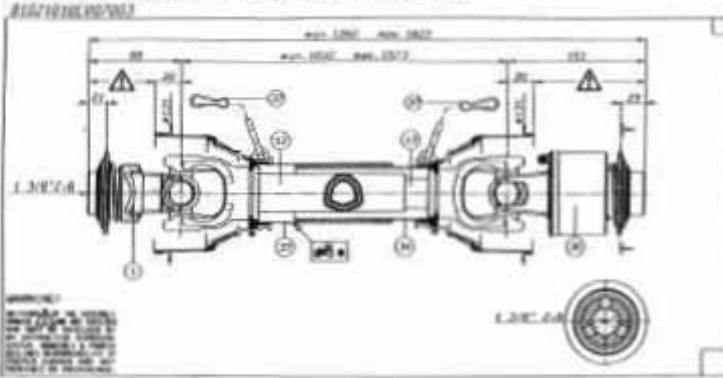
Rotor Group G2P - G2LP - Table 2



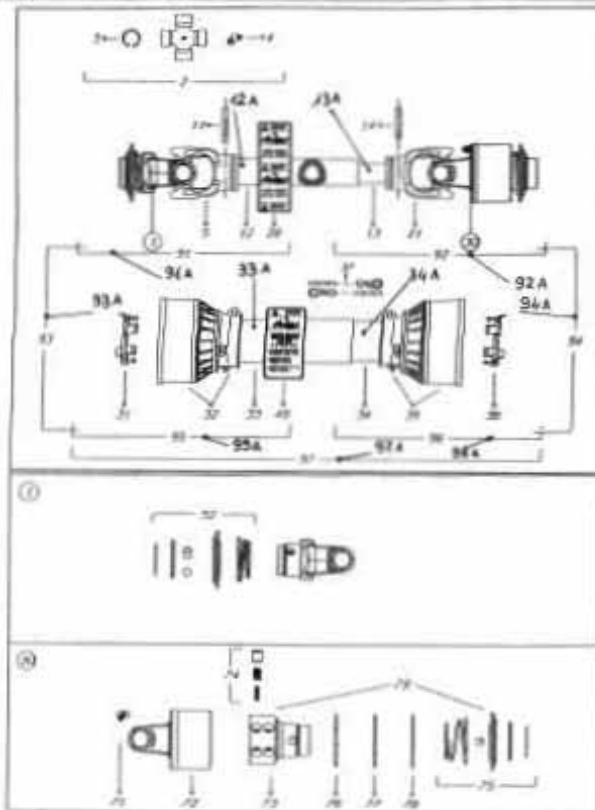
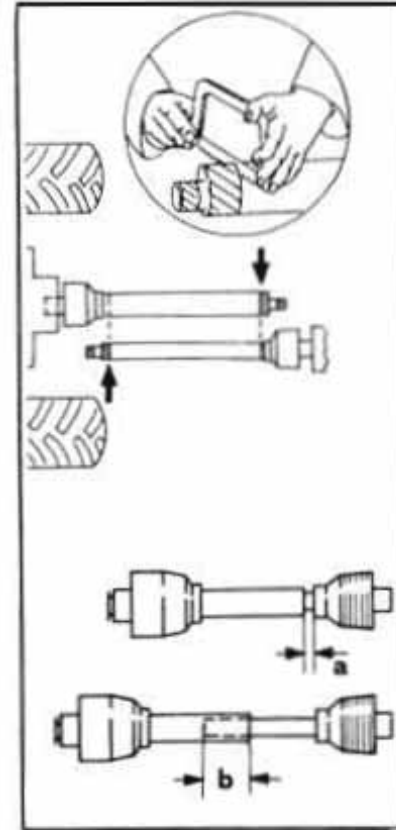
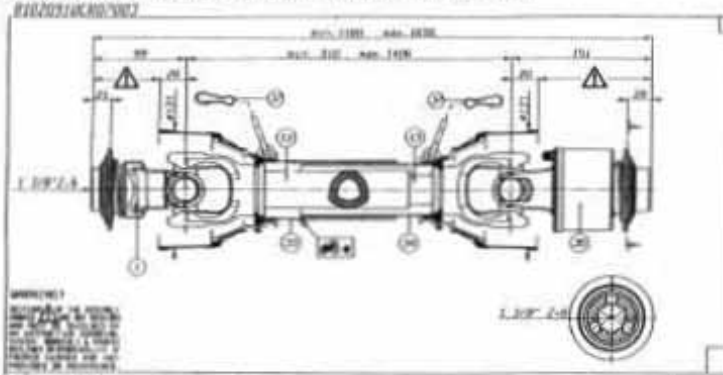
Item	Models	Part #	Description
1	G2P-G2LP-G4L-G4LPE	12260003	Oil Seal 35.72.10
2	G2P-G2LP-G4L-G4LPE	3120105	Snap Ring I 72-7437-75
3	G2P-G2LP-G4L-G4LPE	3120102	Sna Ring E 35 7435-75
4	G2P-G2LP-G4L-G4LPE	12240109	Bearing 6207
5	G2P-G2LP-G4L-G4LPE	12320301	Shaft for PTO
6	G2P-G2LP-G4L-G4LPE	3110003	Key 8 x 7 x 40
7	G2P-G2LP-G4L-G4LPE	3120120	Snap Ring BR 52 INA
8	G2P-G2LP-G4L-G4LPE	12070302	Roller Bush HK 4520
9	G2P-G2LP-G4L-G4LPE	8010302	Bevel Pinion Gear Z16
10	G2P-G2LP-G4L-G4LPE	3120101	Snap Ring E 30 7435-75
11	G2P-G2LP-G4L-G4LPE	8010304	Ring Bevel Gear Z23
12	G2P-G2LP-G4L-G4LPE	3110002	Key 8 x 7 x 35
13	G2P-G2LP-G4L-G4LPE	12240108	Bearing 6206 2RS
14	G2P-G2LP-G4L-G4LPE	12260002	Oil Seal 30.55.10
15	G2P	12010201	Central Shaft
15A	G2PL	12010202	Central Shaft
16	G2P-G2LP-G4L-G4LPE	8010303	Bevel Pinion Z17
17	G2P-G2PL	3110001	Key 8 x 7 x 25
18	G2P-G2LP-G4L-G4LPE	18030655	Ring Bevel Gear
19	G2P-G2LP-G4L-G4LPE	12070301	Roller Bush HK 3520
20	G2P-G2LP-G4L-G4LPE	12280001	Axle Thrust Bearing AS 3552
21	G2P-G2LP-G4L-G4LPE	12270001	Axial Housing AXK 3552
22	G2P-G2LP-G4L-G4LPE	180030656	Complete Axle Cage
23	G2P-G2PL	8020406	Cardan Shaft
24	G2P-G2LP-G4L-G4LPE	12240102	Taper Roller Bearing 6006
25	G2P-G2LP-G4L-G4LPE	3120126	Flat Washer from 0.3 to 0.5mm

PTO G2P - G2LP - Table 5

P.T.O FOR PULL TYPE MOD. - POS. 100



P.T.O FOR 3° POINT HITCH MOD. - POS. 101



Adapting PTO Shaft

Sometimes it is necessary to shorten PTO shafts according to type of tractor with which unit is used. First check length before operating.

- Separate two shaft section and fit same to PTO shaft end of tractor and other to machine side. Slip clutch must be on machine side. This operation must be carried out with unit hooked up to tractor.
- Overlap two shaft section and make sure safety tolerances are respected both when three-point hitch is lowered or lifted. See above drawing. Minimum tolerance must be 6" (15 cm), (B) when PTO shaft is open. Minimum tolerance, when closed, should be 0.8" (2 cm).
- If shortening is necessary cut off sliding and protection tubes uniformly.
- Trim tube ends, remove all swarfs and abundantly grease all sliding surfaces.

Item	Models	Part #	Description
1	G2P-G2LP	12881166	Yoke S2
2	G2P-G2LP	12880702	Cross Journal Ass
3	G2P-G2LP	12880703	Circlip
4	G2P-G2LP	12880704	Grease Nipple
5	G2P-G2LP	12880705	Outer Tube Yoke
11	G2P-G2LP	12880706	Flexible Pin
12	G2P-G2LP	12881151	Cardan Tube - Only Pull Type
13	G2P-G2LP	12881152	Cardan Tube - Only Pull Type
14	G2P-G2LP	12880709	Flexible Pin
21	G2P-G2LP	12880710	Inner Tube Yoke
28	G2P-G2LP	12881153	Label with Danger
30	G2P-G2LP	12881178	LS2/2 600 Nm 1 3/8Z6 RT
31	G2P-G2LP	12880712	Shield Support 2
32	G2P-G2LP	1288013	O Cone Sets F1-2
33	G2P-G2LP	12881155	Safety Tube
34	G2P-G2LP	12881156	Safety Tube - Only Pull Type
35	G2P-G2LP	12880716	I Cone Sets F1-2 - Only Pull Type
36	G2P-G2LP	12880717	Shield Support
37	G2P-G2LP	12880718	Complete Chain
49	G2P-G2LP	12881157	Label with Greaser
52	G2P-G2LP	12881158	Locking Kit
71	G2P-G2LP	12881179	Greaser 8 x 1 25 x 90
72	G2P-G2LP	12881180	LS2 Body and Fork
73	G2P-G2LP	12881181	Hub LS2/LC2 1 3/8Z6
74	G2P-G2LP	12881182	Ratchet with Spring
75	G2P-G2LP	12881183	Locking Kit
76	G2P-G2LP	12881184	Closing Plate
77	G2P-G2LP	12881185	Dust Shield
78	G2P-G2LP	12880739	Circlip
79	G2P-G2LP	12881187	Assembled Hub
91	G2P-G2LP	12881188	External S. 102 R07
92	G2P-G2LP	12881189	Internal Shaft 102 V28
93	G2P-G2LP	12881161	External Shaft 102 - Only Pull Type
94	G2P-G2LP	12881198	Internal S. 102 UC V28 - Only Pull Type
95	G2P-G2LP	12881163	External S. Shield - Only Pull Type
96	G2P-G2LP	12881164	Internal Safety S. - Only Pull Type
97	G2P-G2LP	12881165	Complete S. Shield - Only Pull Type
100	G2P-G2LP	8020428	Cardan Shaft
101	G2P-G2LP	8020427	Cardan Shaft
12A	G2P-G2LP	12881190	Cardan Tube
13A	G2P-G2LP	12881191	Cardan Tube

Item	Models	Part #	Description
33A	G2P-G2LP	12881192	Safety Tube - 3-Point Hitch
34A	G2P-G2LP	12881193	Safety Tube - 3-Point Hitch
91A	G2P-G2LP	12881301	External Shaft 102 - 3-Point Hitch
92A	G2P-G2LP	12881199	Internal Shaft 102 - 3-Point Hitch
93A	G2P-G2LP	12881302	External Shaft 102 - 3-Point Hitch
94A	G2P-G2LP	12881194	Internal Shaft 102 - 3-Point Hitch
95A	G2P-G2LP	12881195	External Safety - 3-Point Hitch
96A	G2P-G2LP	12881196	Internal Safety S. - 3-Point Hitch
97A	G2P-G2LP	12881197	Complete Safety S. - 3-Point Hitch

Farm King Limited Warranty

This document limits your warranty rights.

Base Limited Warranty

Buhler Industries Inc. provides this warranty only to original retail purchasers of its product. Buhler Industries Inc. warrants to such purchasers that all Buhler Industries Inc. manufactured parts and components used and serviced as provided for in the Operator's Manual shall be free from defects in materials and workmanship for a period following delivery to the original retail purchaser of 12 months (80 days for commercial applications). This limited warranty applies only to those parts and components manufactured by Buhler Industries Inc. Parts and components manufactured by others are subject to their manufacturer's warranties, if any.

Buhler Industries Inc. will fulfill this limited warranty by, at its option, repairing or replacing any covered part that is defective or is the result of improper workmanship, provided that the part is returned to Buhler Industries Inc. within thirty (30) days of the date that such defect or improper workmanship is, or should have been, discovered. Buhler Industries Inc. reserves the right to either inspect the product at the buyer's location or have it returned to the factory for inspection. Parts must be returned through the selling representative and the buyer must prepay transportation charges.

Buhler Industries Inc. will not be responsible for repairs or replacements that are necessitated, in whole or part, by the use of parts not manufactured by or obtained from Buhler Industries Inc. Under no circumstances are component parts warranted against normal wear and tear. There is no warranty on product pump seals, product pump bearings, rubber product hoses, pressure gauges, or other components that require replacement as part of normal maintenance. Also: Buckets and Bucket Tines carry no warranty, Bent Spears carry no warranty, Snowblower Fan Shafts carry no warranty, Mower Blades carry no warranty, Portable Auger Parts Have Two (2) Year Warranty, Loader Parts Have Two (2) Year Warranty. The purchaser is solely responsible for determining suitability of goods sold. This warranty is expressly in lieu of all other warranties expressed or implied. Buhler Industries Inc. will in no event be liable for any incidental or consequential damages whatsoever. Nor for any sum in excess of the price received for the goods for which liability is claimed.

Repair Parts Limited Warranty

Buhler Industries Inc. warrants Farm King replacement parts purchased after the expiration of the Buhler Industries Inc. Limited Warranty, and used and serviced as provided for in the Operator's Manual, to be free from defects in materials or workmanship for a period of thirty (30) days from the invoice date for the parts. Buhler Industries Inc. will fulfill this limited warranty by, at its option, repairing or replacing any covered part that is defective or is the result of improper workmanship, provided that the part is returned to Buhler Industries Inc. within thirty (30) days of the date that such defect or improper workmanship is, or should have been, discovered. Such parts must be shipped to Buhler Industries Inc. at the purchaser's expense.

What is Not Covered

Under no circumstances does this limited warranty cover any components or parts that have been subject to the following: negligence; alteration or modification not approved by Buhler Industries Inc.; misuse; improper storage; lack of reasonable and proper maintenance, service, or repair; normal wear; damage from failure to follow operating instructions; accident; and/or repairs that have been made with parts other than those manufactured, supplied, and or authorized by Buhler Industries Inc.

Authorized Dealer and Labor Costs

Repairs eligible for labor under this limited warranty must be made by Buhler Industries Inc. or an authorized Farm King dealer. Buhler Industries Inc. retains the exclusive discretion to determine whether it will pay labor costs for warranty repairs or replacements, and the amount of such costs that it will pay and the time in which the repairs will be made. If Buhler Industries Inc. determines that it will pay labor costs for warranty work, it will do so by issuing a credit to the dealer's or distributor's account. Buhler Industries Inc. will not approve or pay invoices sent for repairs that Buhler Industries Inc. has not previously approved. Warranty service does not extend the original term of this limited warranty.

Warranty Requirements

To be covered by warranty, each Farm King new product must be registered with Buhler Industries Inc. within thirty (30) days of delivery to original retail purchaser. If the customer decides to purchase replacement components before the warranty disposition of such components is determined, Buhler Industries Inc. will bill the customer for such components and then credit the replacement invoice for those components later determined to be covered by this limited warranty. Any such replacement components that are determined not be covered by this limited warranty will be subject to the terms of the invoice and shall be paid for by the purchaser.

Warranty Claims:

Warranty requests must be prepared on Buhler Industries Inc. Warranty Claim Forms with all requested information properly completed. Warranty Claims must be submitted within a thirty (30) day period from date of failure repair.

Warranty Labor:

Any labor subject to warranty must be authorized by Buhler Industries Inc. The labor rate for replacing defective parts, where applicable, will be credited at 100% of the dealer's posted shop rate.

Exclusive Effect of Warranty and Limitation of Liability

TO THE EXTENT PERMITTED BY LAW, BUHLER INDUSTRIES INC. DISCLAIMS ANY WARRANTIES, REPRESENTATIONS, OR PROMISES, EXPRESS OR IMPLIED, AS TO THE QUALITY, PERFORMANCE, OR FREEDOM FROM DEFECT OF THE COMPONENTS AND PARTS COVERED BY THIS WARRANTY AND NOT SPECIFICALLY PROVIDED FOR HEREIN.

TO THE EXTENT PERMITTED BY LAW, BUHLER INDUSTRIES INC. DISCLAIMS ANY IMPLIED WARRANTIES OF MERCHANTABILITY AND FITNESS FOR A PARTICULAR PURPOSE ON ITS PRODUCTS COVERED HEREIN, AND DISCLAIMS ANY RELIANCE BY THE PURCHASER ON BUHLER INDUSTRIES INC.'S SKILL OR JUDGMENT TO SELECT OR FURNISH GOODS FOR ANY PARTICULAR PURPOSE. THE PURCHASER'S ONLY AND EXCLUSIVE REMEDIES IN CONNECTION WITH THE BREACH OR PERFORMANCE OF ANY WARRANTY ON PRODUCTS MANUFACTURED BY BUHLER INDUSTRIES INC. ARE THOSE SET FORTH HEREIN. IN NO EVENT SHALL BUHLER INDUSTRIES INC. BE LIABLE FOR INCIDENTAL OR CONSEQUENTIAL DAMAGES (INCLUDING, BY WAY OF EXAMPLE ONLY AND NOT LIMITATION, LOSS OF CROPS, LOSS OF PROFITS OR REVENUE, OTHER COMMERCIAL LOSSES, INCONVENIENCE, OR COST OF REPLACEMENT OF RENTAL EQUIPMENT). IN NO EVENT SHALL FARM KING'S CONTRACT OR WARRANTY LIABILITY EXCEED THE PURCHASE PRICE OF THE PRODUCT.

(Note that some provinces or states do not allow limitations on how long an implied warranty lasts or the exclusion or limitation of incidental or consequential damages, so the above limitations and exclusion may not apply to you.) This warranty gives you specific legal rights and you may also have other rights, which vary from province to province or state to state.

Buhler Industries Inc. neither assumes nor authorizes any person or entity, including its selling representatives, to assume any other obligations or liability in connections with the sale of covered equipment, or to make any other warranties, representations, or promises, express or implied, as to the quality, performance, or freedom from defect of the components and parts covered herein. No one is authorized to alter, modify, or enlarge this limited warranty, or its exclusions, limitations and reservations.

Corrections of defects and improper workmanship in the manner, and for the applicable time periods, provided for herein shall constitute fulfillment of all responsibilities of Buhler Industries Inc. to the purchaser, and Buhler Industries Inc. shall not be liable in negligence, contract, or on any other basis with respect to the subject equipment.

This limited warranty is subject to any existing conditions of supply which may directly affect Buhler Industries Inc.'s ability to obtain materials or manufacture replacement parts.

Buhler Industries Inc. reserves the right to make improvements in design or changes in specifications to its products at anytime, without incurring any obligation to owners of units previously sold.

Government Legislation:

Warranty terms and conditions are subject to provincial or state legislation.

Important Note: This warranty does not apply to rentals.

www.farm-king.com

Farm King

1330 43rd Street NW
Fargo, ND USA 58102
Ph.: 701.282.7014 | Fax: 701.282.5865
Toll Free: 888.524.1004
E-mail: info@buhler.com
www.farm-king.com

Equipment shown is subject to change without notice.
©2012 Buhler Trading Inc. Printed in USA. TSX:BUI

bühler | a division of Buhler Industries Inc.