



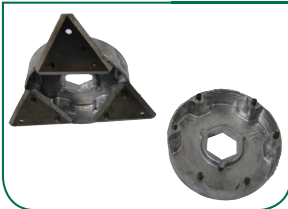
**Serving the *agricultural producers*
since 1970!**

BLIZZARD BEDDING CHOPPER



- Ideal for residential, commercial landscaping and agricultural work.
- Large selection of stationary, portable and on wheels models.
- Stationary model available with 540RPM PTO or 7.5HP or 10HP electric motor.
- Powerful blower, located under the rotor, insuring complete and even distribution of straw, hay and paper.
- Fast connection system facilitating the installation of flexible or rigid hose.
- Portable model can be moved easily by one single person with the leverage handle.
- Easy maintenance access to the rotor.

Option : Blizzard Bedding Chopper with round steel tub



- WIC exclusive rotor made with 33 triangular knives with 6 cutting edges for a prolonged use.
- The rope winding is eliminated because the separator's surface is perfectly smooth.



- Re-cutter fixed grill insures a regular cut length and an even discharge without any accumulation.
- Easily adjustable grill with a lever that regulates the flow accordingly to the required consistency of the chopped material.

BLIZZARD BEDDING CHOPPER

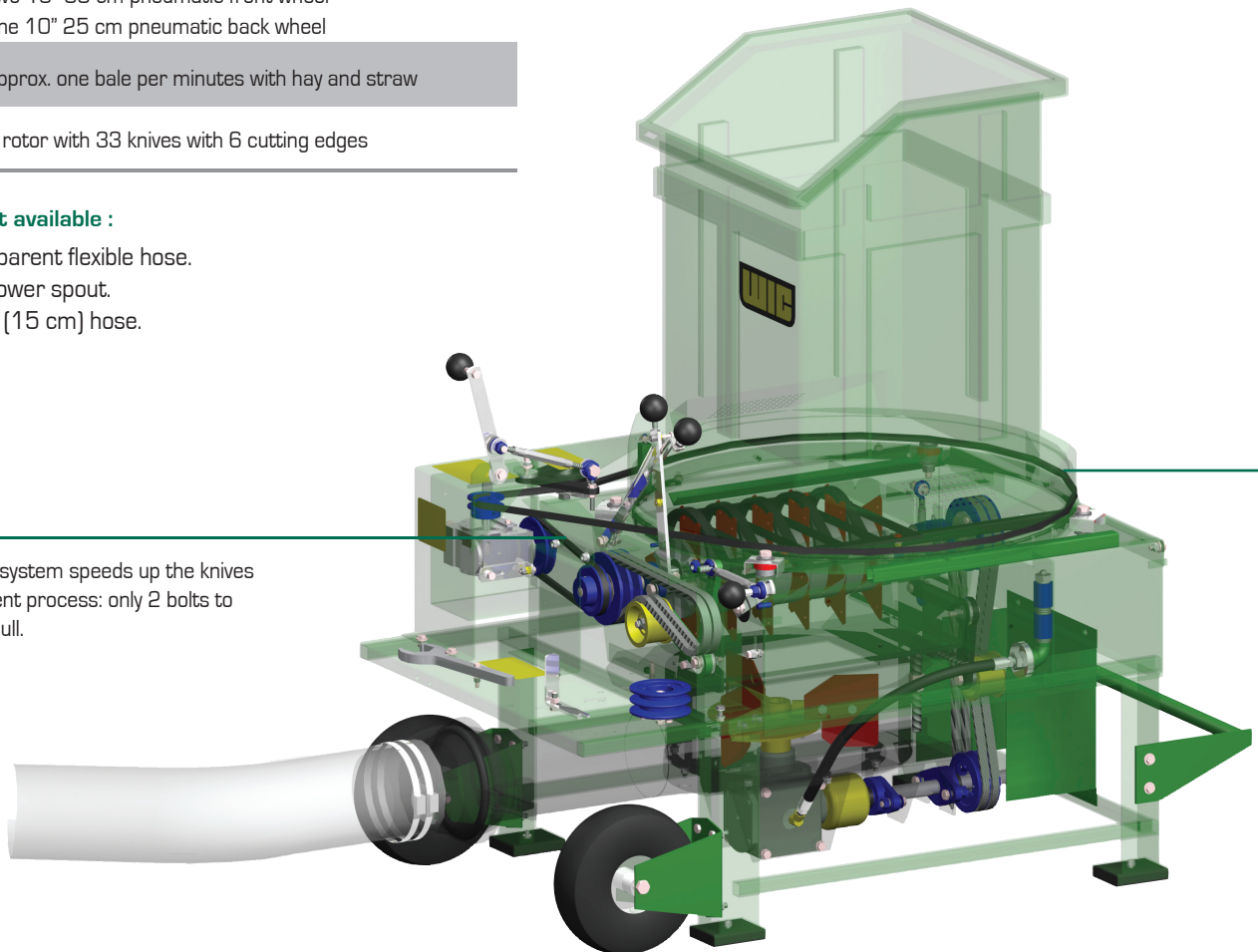
	GASOLINE	ELECTRIC	PTO
Lenght	55" (140cm)	31" (78cm)	28" (70cm)
Width	33" (84cm)	33" (83cm)	30" (76cm)
Height	56" (142cm)	37" (93cm)	34" (86cm)
Weight	11 HP • 420 lbs 13 HP • 520 lbs 18 HP • 545 lbs	7.5 HP 587 lbs 10 HP 607 lbs	580 lbs
Wheels	Two 16" 39 cm pneumatic front wheel One 10" 25 cm pneumatic back wheel		
Performance	Approx. one bale per minutes with hay and straw		
Rotor & Knives	1 rotor with 33 knives with 6 cutting edges		

Upper section on hinge for a fast and easy access to the rotor.

Optional equipment available :

- 6" (15 cm) transparent flexible hose.
- 5' (1,5 m) high blower spout.
- 90° elbow for 6" (15 cm) hose.

Revolutionary spacer system speeds up the knives rotation or replacement process: only 2 bolts to unscrew, no rods to pull.



WIC Warranty

All WIC products have a one-year warranty (tires and labor not included) against all manufacturing defects. WIC reserves the right to modify manufacturing and specifications of its products without notice or incurring the obligation to effect those changes on products already sold. This warranty is valid under normal use for which the machine was made.

WIC Liability

WIC, its dealers and/or agents cannot guarantee individual results from the use of the WIC equipments due to factor beyond our control. Even if the WIC equipments are very safe when operation procedures are followed, accidents which may occasionally result from equipment failure are not liable to WIC. The security use of this equipment does not eliminate all the risks connected to its use.



Phone : **819.398.7575**
 Toll free : **1.877.390.7575**
 Fax : **819.398.7557**
 service@interwic.com
 www.interwic.com

784 Principale, C.P. 356, Wickham Qc J0C 1S0

Your dealer