

KÄRCHER



makes a difference

Spare Parts List

(1.013-100.0, 1.013-101.0)

ECO! T11 Bp LINER

How to Use this Spare Parts List

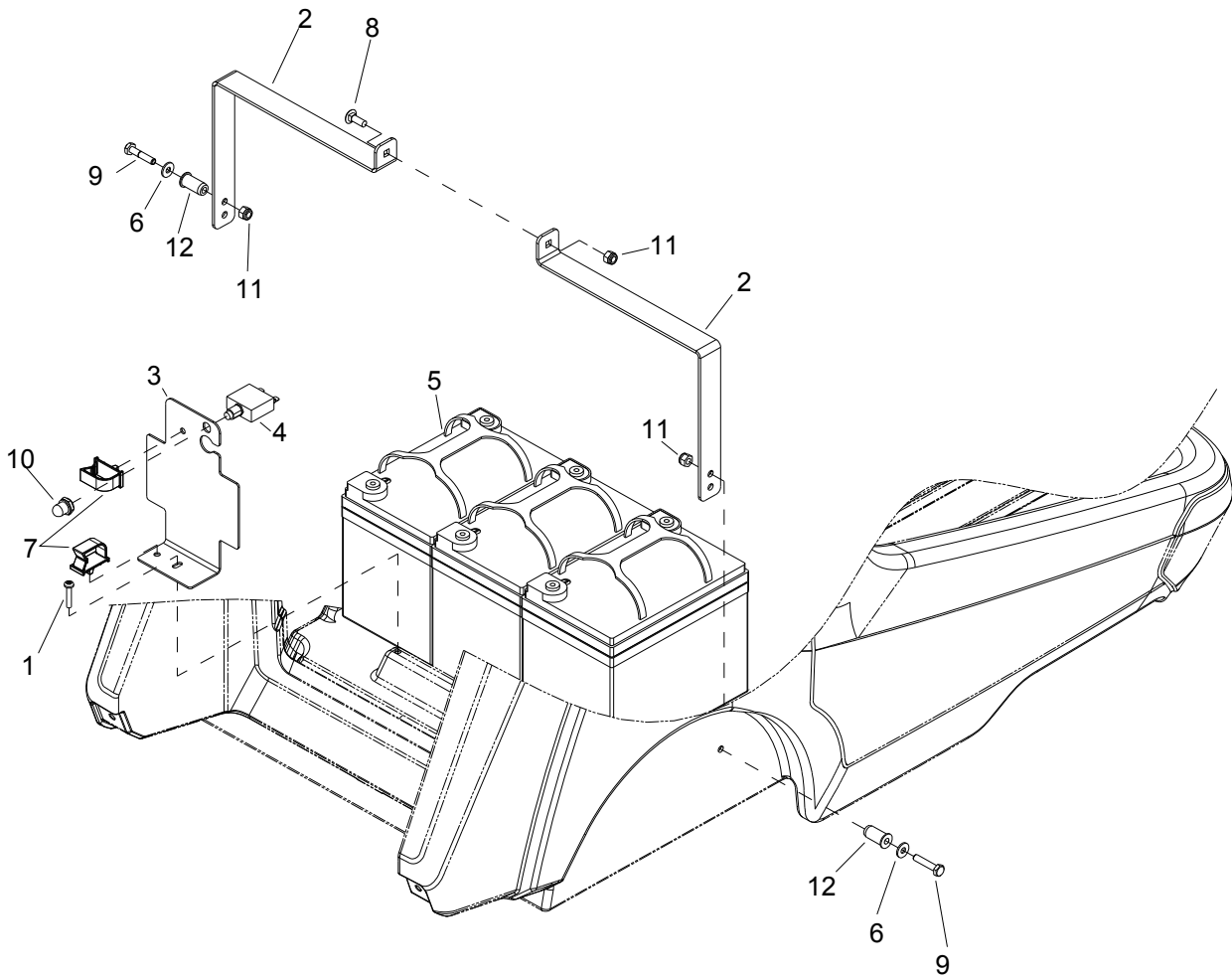
The PARTS LIST section contains assembled parts illustrations and corresponding parts list. The parts lists include a number of columns of information:

- REF - column refers to the reference number on the parts illustration.
- PART NO. - column lists the part number for the part.
- QTY - column lists the quantity of the part used in that area of the machine.
- DESCRIPTION - column is a brief description of the part.
- SERIAL NO. FROM - If this column has an (*) and a Reference number, see the SERIAL NUMBERS page in the back of your manual. If column has two asterisk (**), call manufacturer for serial number. The serial number indicates the first machine the part number is applicable to. The main illustration shows the most current design of the machine. When a boxed illustration is shown, it displays the older design.
- NOTES - column for information not noted by the other columns.

NOTE: *If a service or option kit is installed on your machine, be sure to keep the KIT INSTRUCTIONS which came with the kit. It contains replacement parts numbers needed for ordering future parts.*

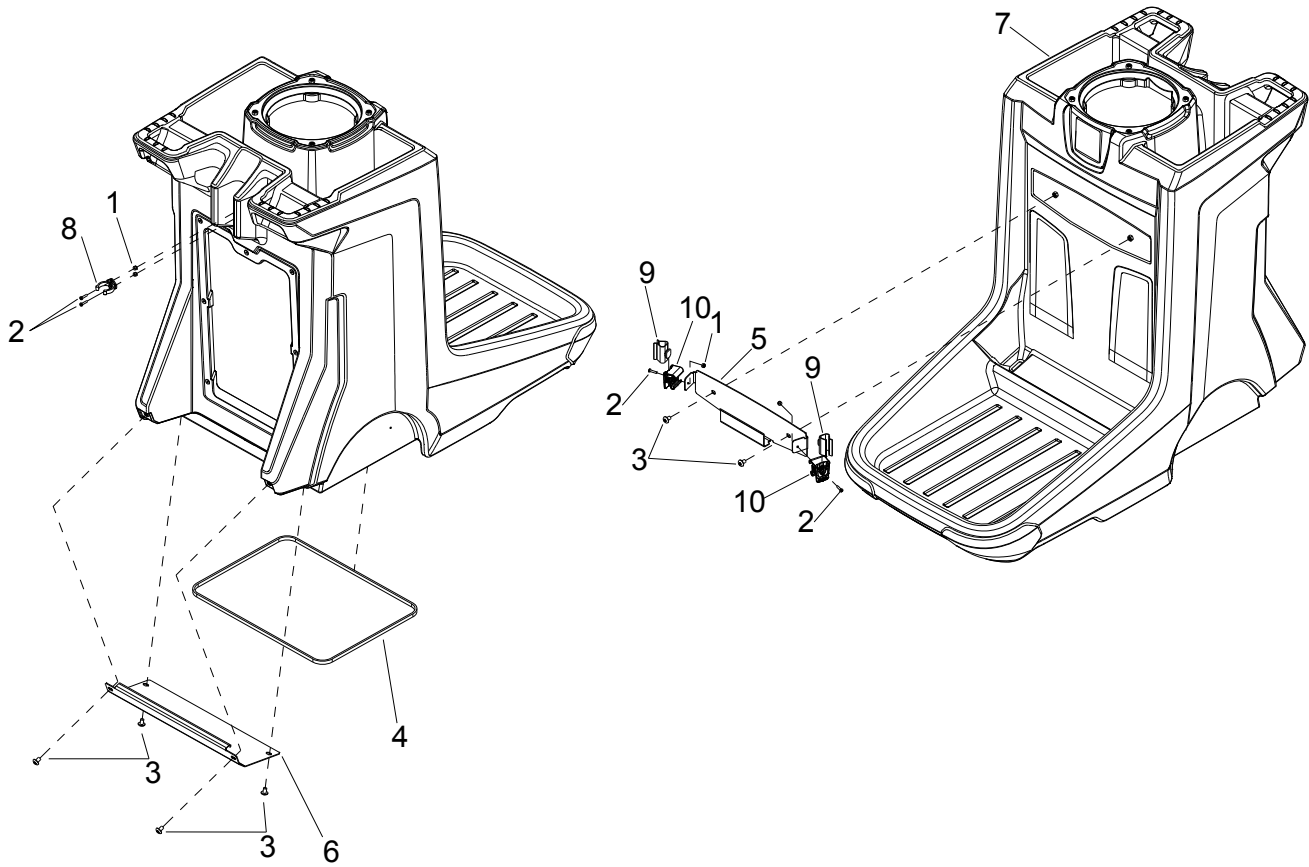
How to Use this Spare Parts List	2
Table of Contents	3
Batteries	4
Body	6
Charger	8
Labels	10
Trash Accessories	12
Vacuum	14
Wand	16
Wheels	18
Wiring Diagram	20
Wiring Diagram 2	22
Serial Number	24
Notes	25

Batteries



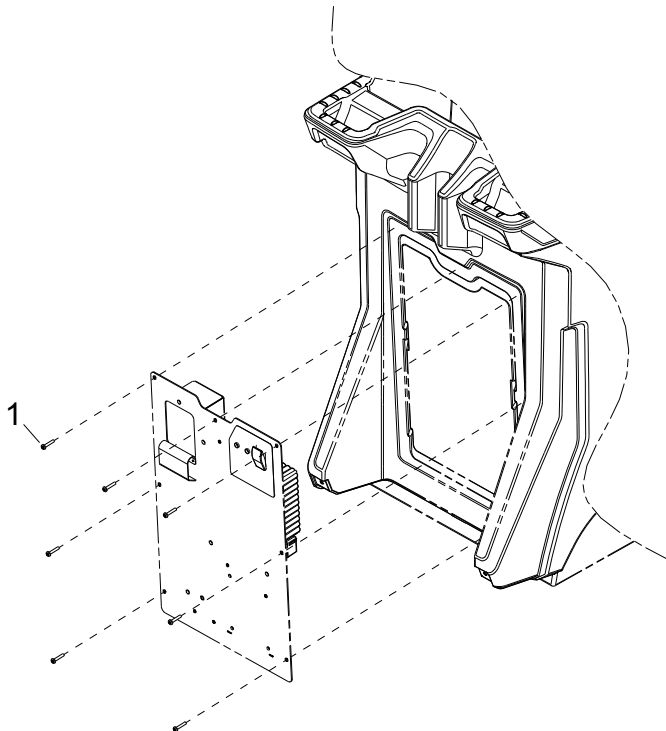
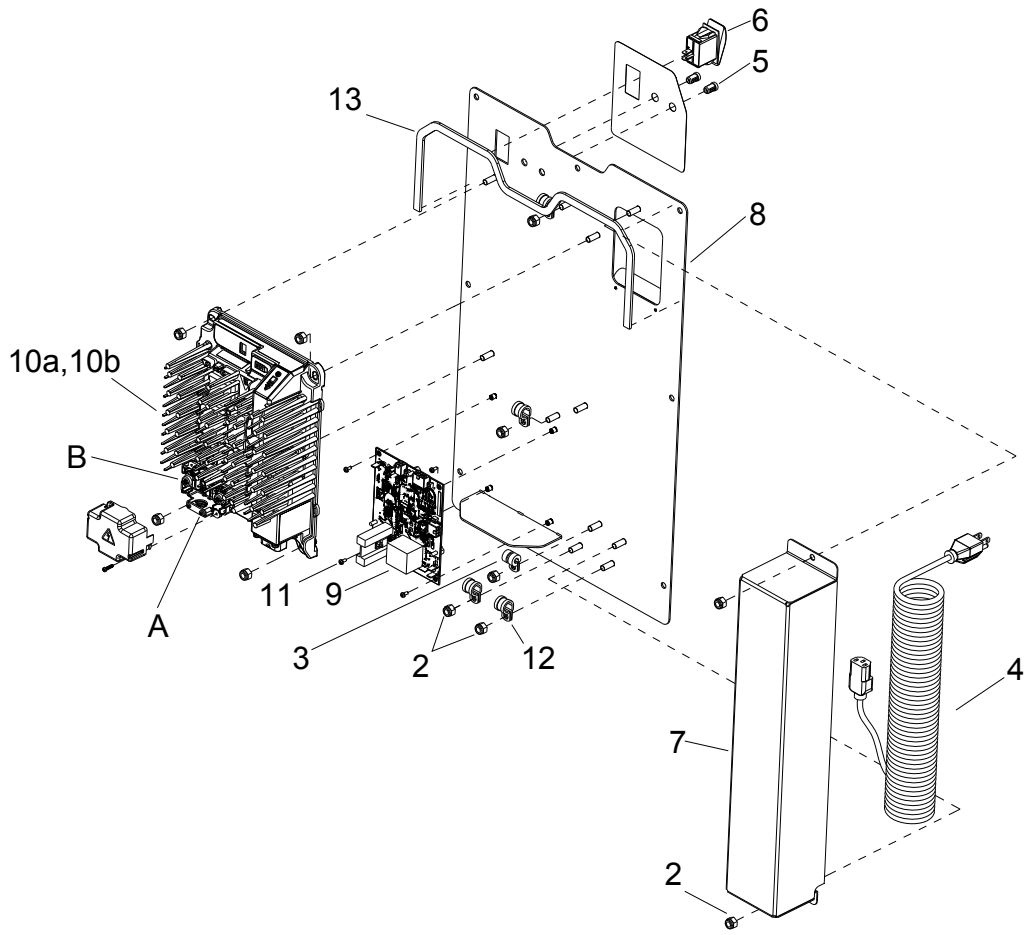
REF	PART NO.	QTY	DESCRIPTION	SERIAL NO. FROM	NOTES
1	86408580	1	SCREW, 10-32 X 1 TPNHMS SS BLK ZNPLT		
2	86403950	2	BRKT, BATTERY STRAP		
3	86402400	1	BRKT, BATTERY HARNESS		
4	86402140	1	BREAKER, 30A, 250VAC, 50VDC		
5	86374630	3	BATTERY, 12V, 33AH		
6	86361770	3	WASHER, 1/4 FLT SS		
7	86361520	2	CLIP CABLE ENTRY		
8	86276950	1	SCREW, 1/4-20 X .75 CARR SS		
9	86273820	2	SCREW, 1/4-20 X 1.25 HHMS SS		
10	86008900	1	BOOT, SEAL-PUSH BUTTON 7/16-28		
11	86005810	3	NUT, 1/4-20 HEX NYLOCK SS		
12	86005620	2	NUT, 1/4-20 WELL		

Body



REF	PART NO.	QTY	DESCRIPTION	SERIAL NO. FROM	NOTES
1	86402790	4	NUT, 8-32 HEX NYLOCK SS BLKOX		
2	86402780	4	SCREW, 8-32 X.75 TPNHMS SS BLK ZNPLT		
3	86402760	6	SCREW, 5/16-18 X 1/2 TTRHMS SS BLK ZNPLT		
4	86401860	1	GASKET, .188 X .37 X 61		
5	86401850	1	BRKT, TRASH, HOME BASE		
6	86401840	1	BRKT, WAND SHELF		
7	86401640	1	CART, TRIMMED, GRY, T11BPB		
8	86002990	1	CLIP, C 1 1/2" PLASTIC		
9	69800780	2	HOLDER HANDHOLD GREY		
10	50354880	2	ADAPTER HOMEBASE		

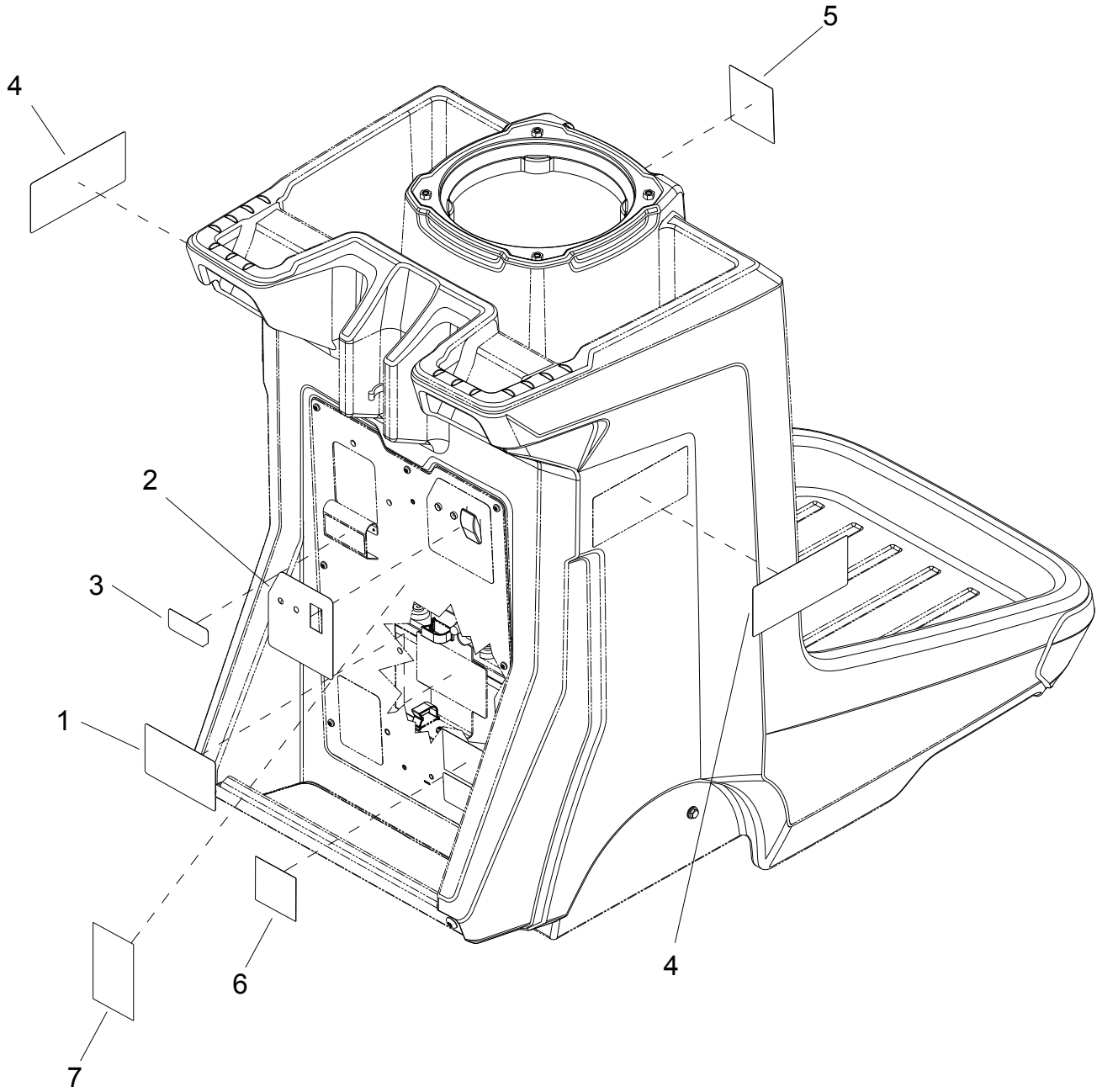
Charger



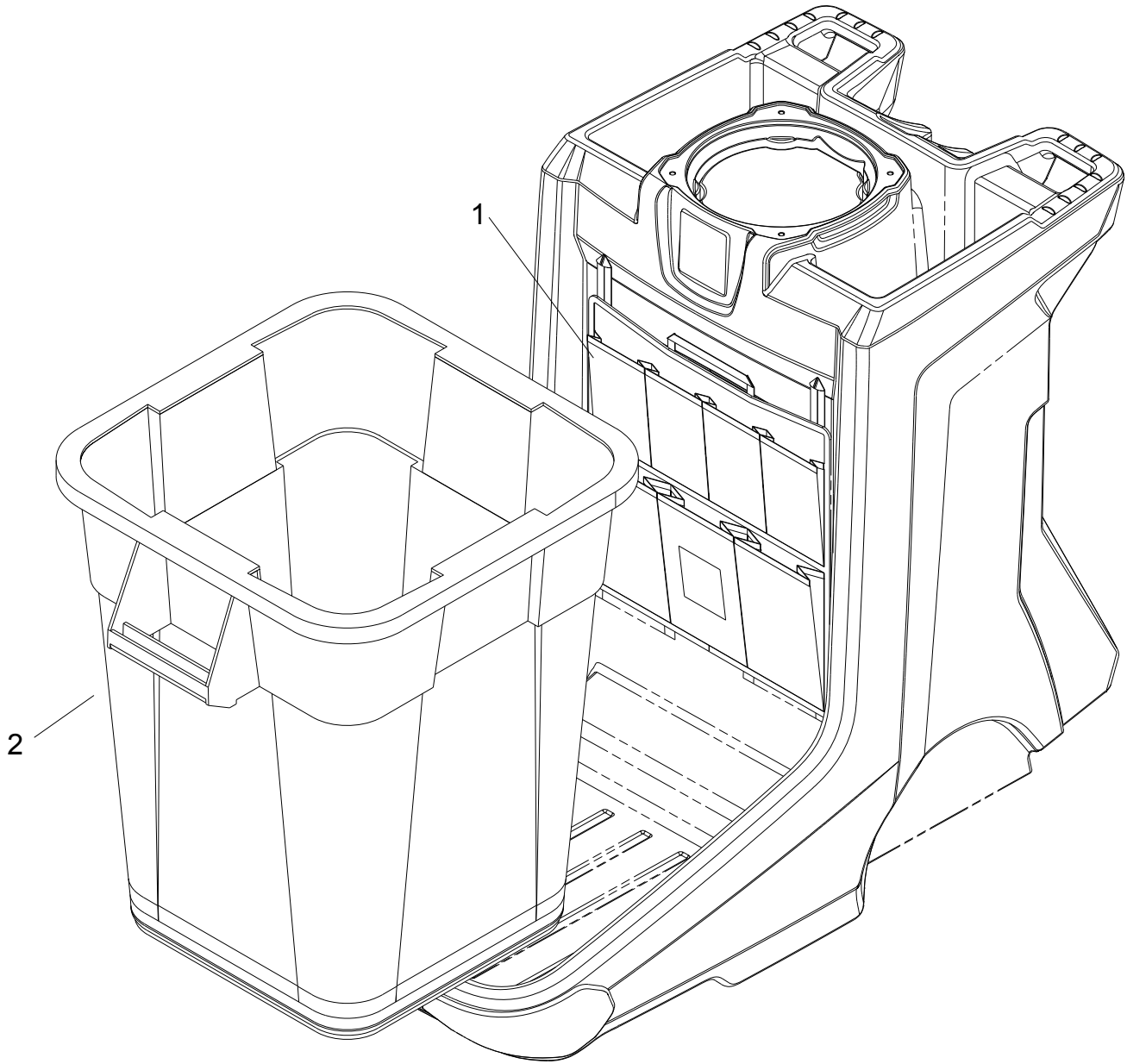
A: TORQUE TO 85±5 OZ-IN
B: TORQUE TO 40±2 LB-IN

REF	PART NO.	QTY	DESCRIPTION	SERIAL NO. FROM	NOTES
1	86408580	7	SCREW, 10-32 X 1 TPNHMS SS BLK ZNPLT		
2	86005810	11	NUT, 1/4-20 HEX NYLOCK SS		
3	86402220	1	CLAMP, 1/4 CUSHIONED, .265 MTG		
4	86402030	1	CORD SET, 18/3 SVEO COIL, 20 FT		
5	86402020	2	BEZEL, LED		
6	86402010	1	SWITCH, SPST 2-POS MOM ROCKER		
7	86401930	1	BRKT, CORD HOUSING		
8	86401910	1	PANEL, CONTROL, T11BPB		
9	86395300	1	PCB ASSEMBLY, T11BPB		
10a	86388160	1	CHRGR, 36V 18A IC650 ALG 196	*(1)	
10b	86372010	1	CHARGER, DELTA Q, 36V		
11	86274570	4	SCREW, 4-40 X .25 PHPNHMS STL ZNPLT		
12	86177090	4	CLAMP, CABLE 1/2I.D. 1/4BLT		
13	86237900	1	GASKET, .125T X .37W X 23L		

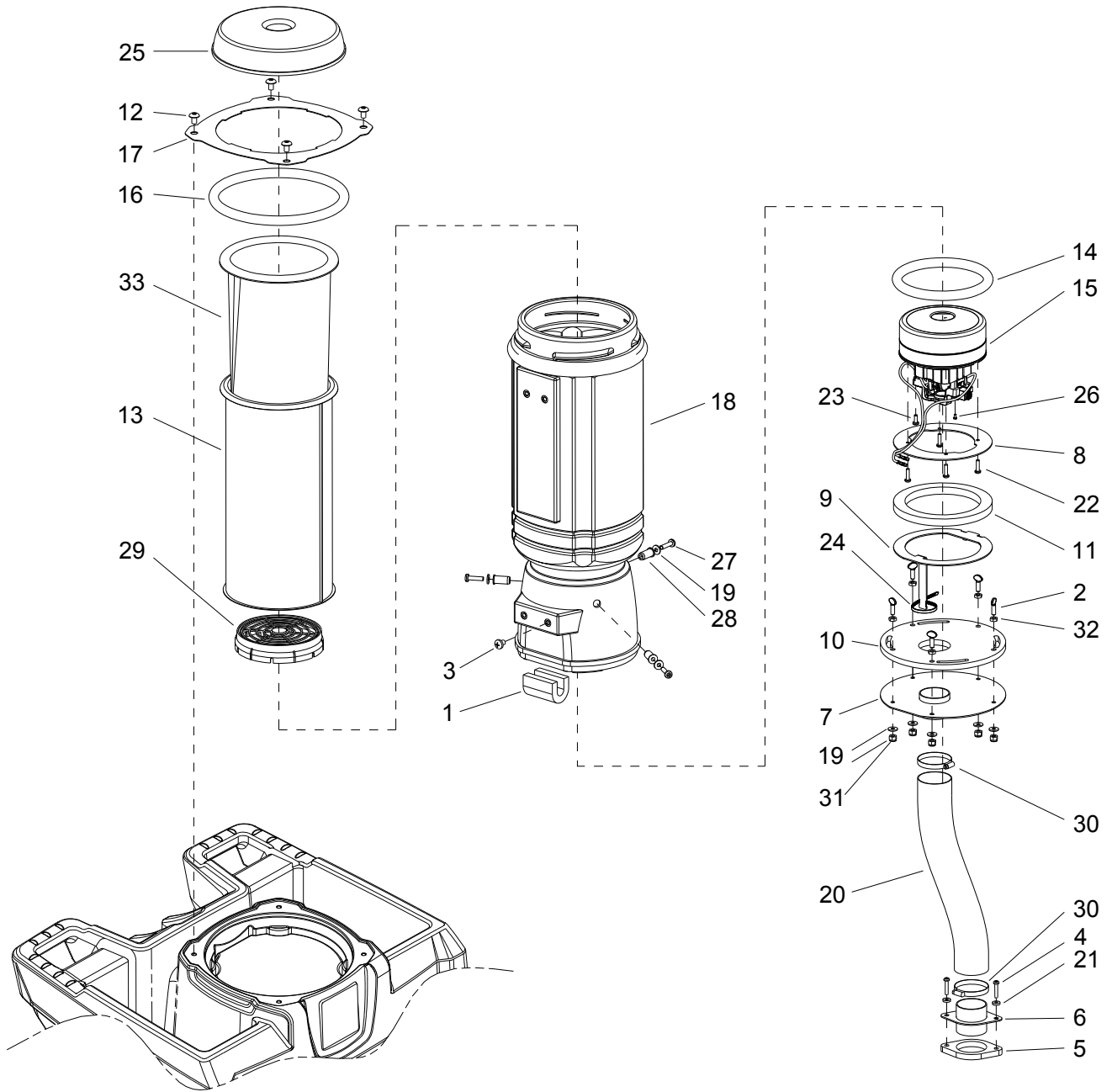
Labels



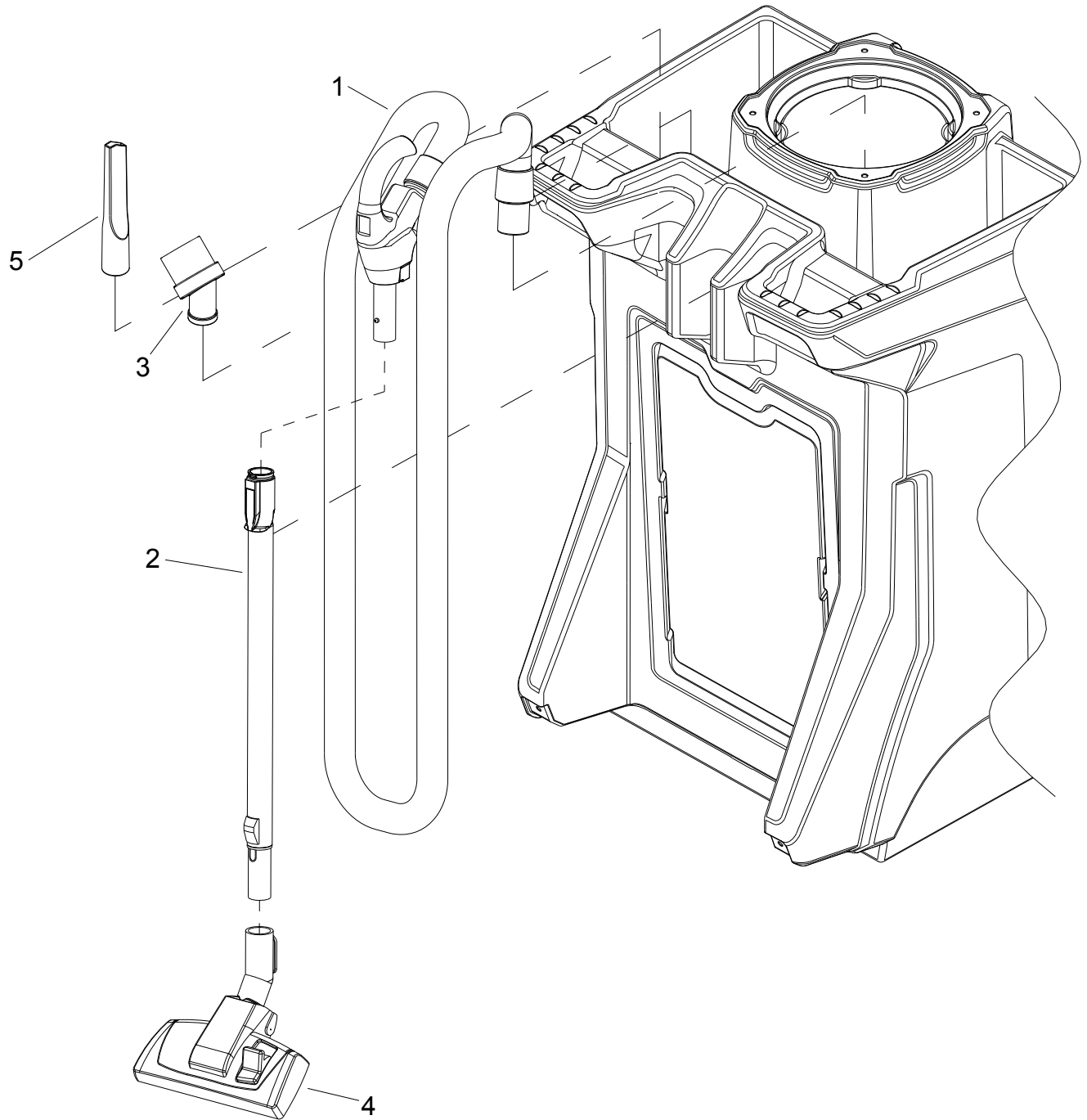
REF	PART NO.	QTY	DESCRIPTION	SERIAL NO. FROM	NOTES
1	86402750	1	LABEL, BATTERY CABLING		
2	86402360	1	LABEL, CONTROL PANEL, T11BPB		
3	86402380	1	LABEL, CORD		
4	86402370	2	LABEL, SIDE		
5	86335000	1	LABEL, AKW DOMED LOGO		
6	86415350	1	LABEL, CRI, BRONZE		
7	87581670	1	LABEL QR CODE MORPH ECO T11 BP LINER BAS		10131000
-	87581680	1	LABEL QR CODE MORPH ECO T11 BP LINER DEL		10131010



REF	PART NO.	QTY	DESCRIPTION	SERIAL NO. FROM	NOTES
1	86401890	1	POUCH, CART SUPPLIES		1.013-101.0 ONLY
2	86401870	1	CAN, TRASH, 40 GAL, BLK		1.013-101.0 ONLY

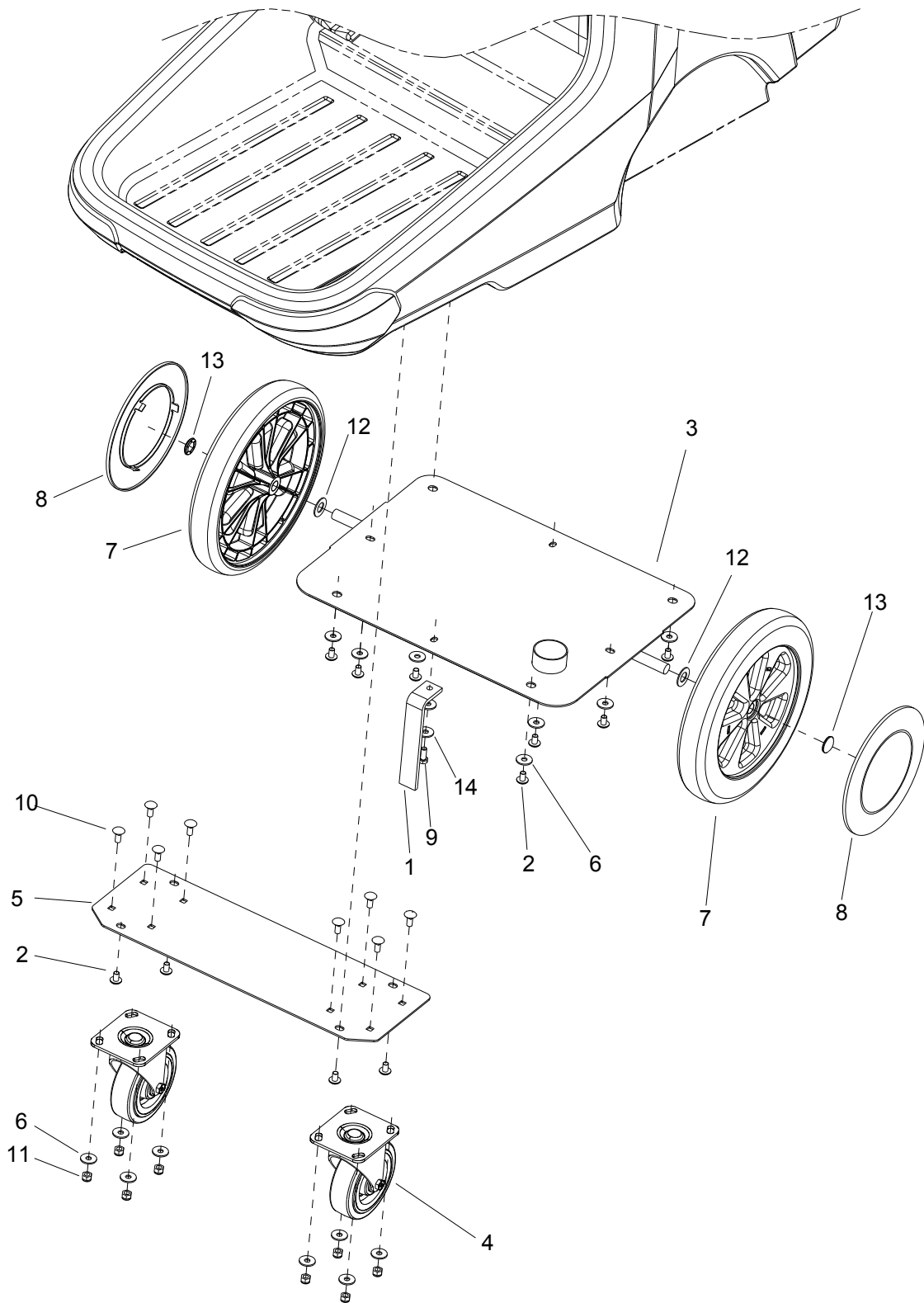


REF	PART NO.	QTY	DESCRIPTION	SERIAL NO. FROM	NOTES
1	86409350	1	GASKET, HARNESS SEAL		
2	86371880	5	SCREW, 1/4-20 x .75 THUMB SS		
3	86409040	1	SCREW, M8-1.25 X 10 PHPNHMS SS		
4	86408580	2	SCREW, 10-32 X 1 TPNHMS SS BLK ZNPLT		
5	86404140	1	GASKET, MUFFLER BRKT		
6	86403880	1	BRKT, MUFFLER HOSE		
7	86403740	1	BRKT, VAC EXHAUST, WELDMENT		
8	86403580	1	BRKT, VAC MOTOR MOUNT, UPPER		
9	86403570	1	BRKT, VAC MOTOR MOUNT, LOWER		
10	86403550	1	GASKET, MOTOR CAP		
11	86403540	1	GASKET, MOTOR ISOLATOR		
12	86402760	4	SCREW, 5/16-18 X 1/2 TTRHMS SS BLK ZNPLT		
13	86402110	1	BAG, CLOTH VAC, 10 QT		
14	86401980	1	GASKET, VACUUM MOTOR		
15	86413030	1	ASM, VAC MOTOR, 36VDC 2ST FT		
16	86401960	1	GASKET, BAG HOUSING MOUNT		
17	86401950	1	PLATE, BAG HOUSING MOUNT		
18	86388410	1	HOUSING, VAC BAG TRIMMED		
19	86361770	8	WASHER, 1/4 FLT SS		
20	86281180	1	HOSE, 2.0 VAC EXHAUST X 17"		
21	86279290	2	WASHER,#10 FLAT W/NEOPRENE		
22	86276290	4	SCREW, 10 X .75 PHPNHMS STL BLK ZNPLT		
23	86274350	1	SCREW, 10-24 X .5 PHPNHTC		
24	86264920	1	CABLE TIE, 7" UL/CSA		
25	86198740	1	CAP, BLACK		
26	86173100	1	SCREW, M3 X 6 BTNHSCHCS SS ISO7380		
27	86006530	3	SCREW, 1/4-20 X 1 PHPNHMS SS		
28	86005620	3	NUT, 1/4-20 WELL		
29	86003510	1	FILTER, VAC MOTOR		
30	86002380	2	CLAMP, 2.25" WORM GEAR		
31	86005810	5	NUT, 1/4-20 HEX NYLOCK SS		
32	86270930	5	NUT, 1/4-20 HEXTHIN SS		
33	86198850	1	FILTER BAG, VP10 PAPER **(PKG/10)**		



REF	PART NO.	QTY	DESCRIPTION	SERIAL NO. FROM	NOTES
1	86403610	1	ASM, HANDLE, HOSE 20 FT		
2	86402040	1	WAND, TELESCOPIC, ALUM		
3	86344870	1	BRUSH, DUST		
4	69074100	1	COMBINATION NOZZLE PACKAGED BASALT GREY		
5	69034030	1	CREVICE NOZZLE DN32		

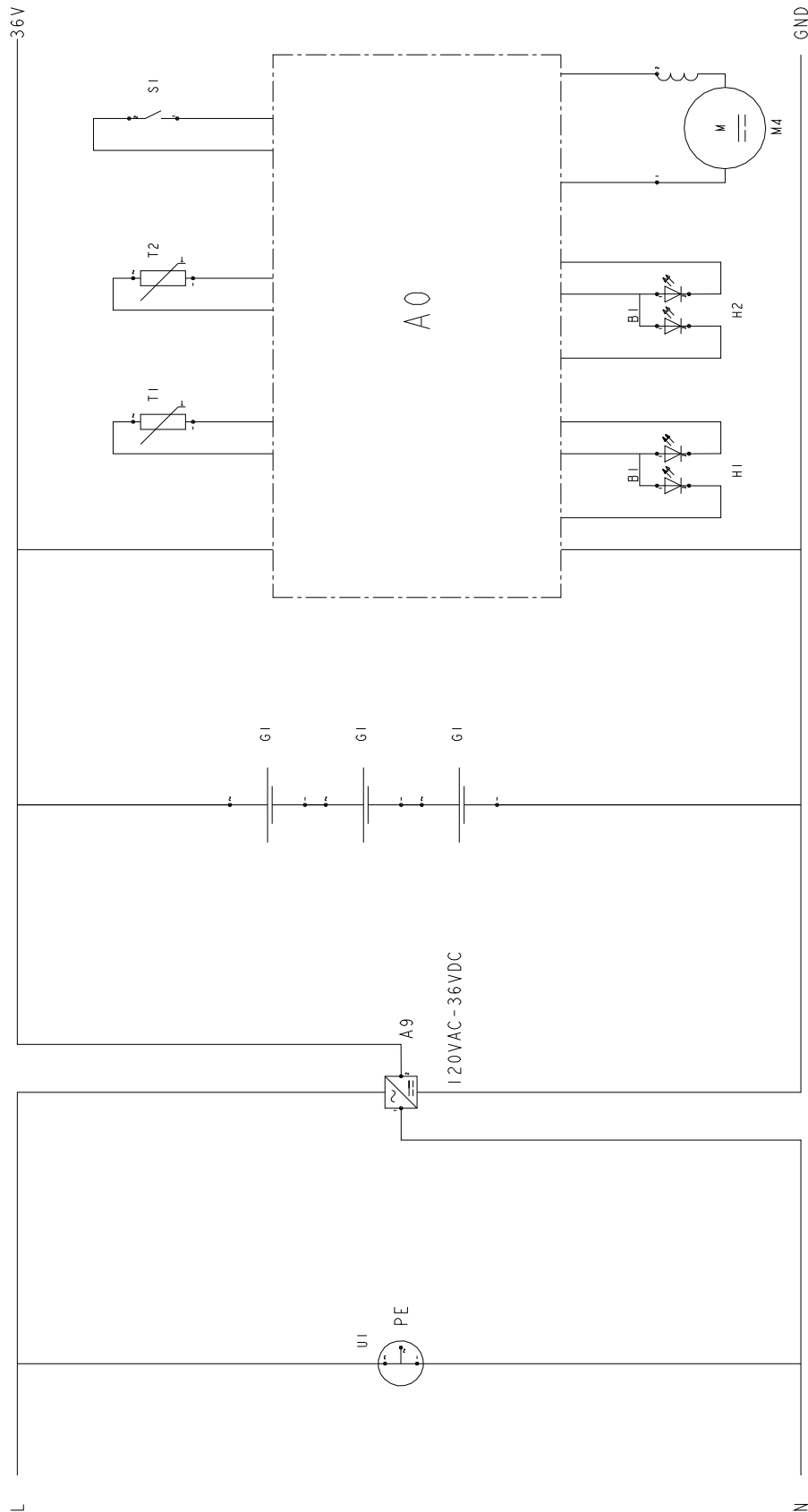
Wheels



REF	PART NO.	QTY	DESCRIPTION	SERIAL NO. FROM	NOTES
1	86408770	1	STRAP, STATIC, .25T X 1.12W X 8L		
2	86402760	11	SCREW, 5/16-18 X 1/2 TTRHMS SS BLK ZNPLT		
3	86401810	1	BRKT, REAR WHEEL MOUNT		
4	86401800	2	CASTER, 5" DIA		
5	86401790	1	PLATE, CASTER MOUNT		
6	98028170	16	WASHER, 3/8" x 1"		
7	86309790	2	WHEEL, 12" X 2.25"		
8	86300070	2	HUBCAP, 9.75" WHEEL, BLACK		
9	87186180	1	BOLT, 5/16-18 X 3/4", HH GR 5 CS ZINC		
10	87186250	8	BOLT, 5/16'-18X3/4', NC CRRGE ZNC(6159)		
11	98027760	8	NUT, 5/16-18, ESNA		
12	86010730	2	WASHER, 5/8 X .64 X 1.188 SS		
13	86001660	2	HUBCAP, 5/8" SHAFT		
14	87528170	1	5/16" EXTERNAL TOOTH LOCK WASHER, ZINC		

REF	PART NO.	QTY	DESCRIPTION	SERIAL NO. FROM	NOTES
1	86402160	1	HARNESS, MAIN, T11BPB		
2	86404470	1	HARNESS, BAG FULL		

Wiring Diagram 2



REF	DESCRIPTION	NOTES
A0	CPU MODULE	
A9	BATTERY CHARGER	
M4	VACUUM MOTOR	
S1	MAIN SWITCH	
T1	TEMP MONITOR, VACUUM MOTOR	
T2	TEMP MONITOR, BATTERY	
G1	BATTERY 12-VOLT, 33AH	
H1	LED GN/RD CHARGER	
H2	LED GN/RD BAG FULL	
U1	MAINS CONNECTION, 120V/60Hz/15A	

Serial Number

REF. NO.	MODEL: SERIAL #
1	10131000000012, 10131010000301

