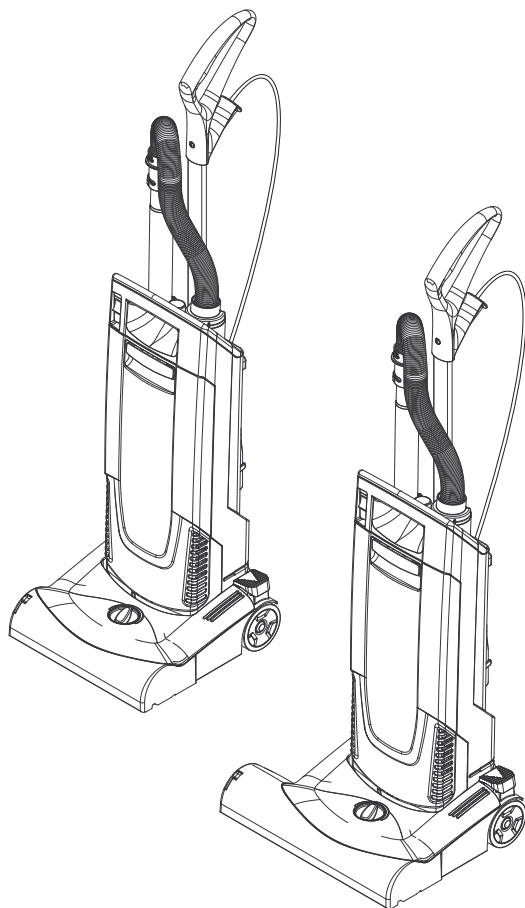


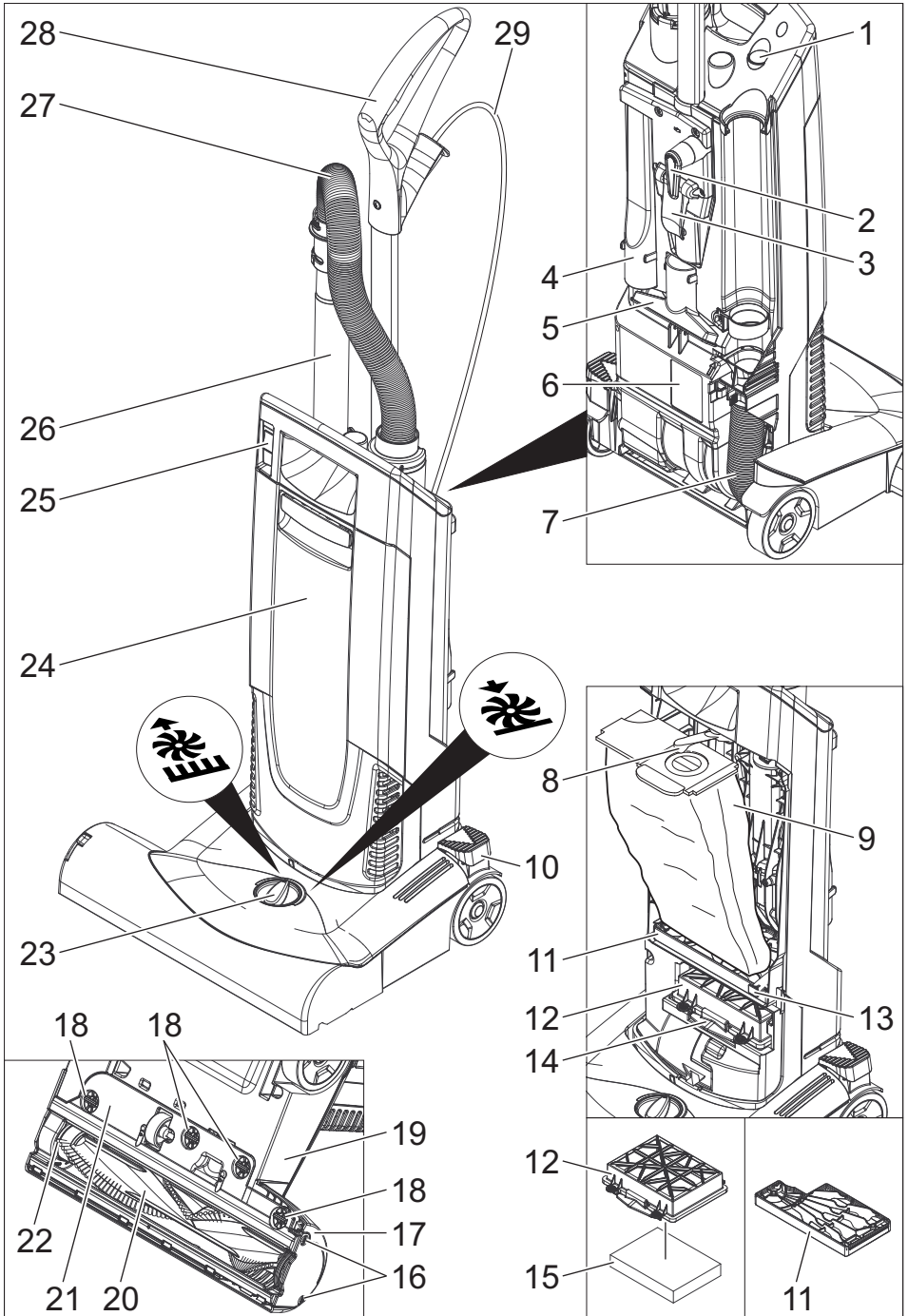
CV 30/1  
CV 38/1

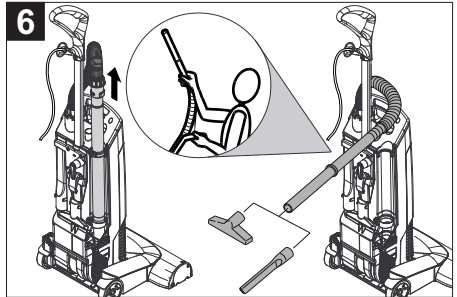
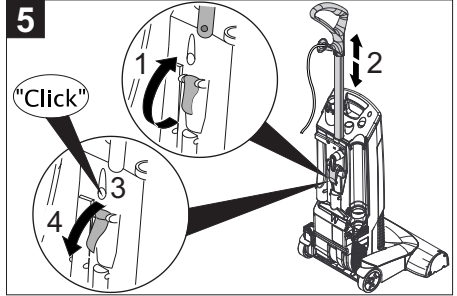
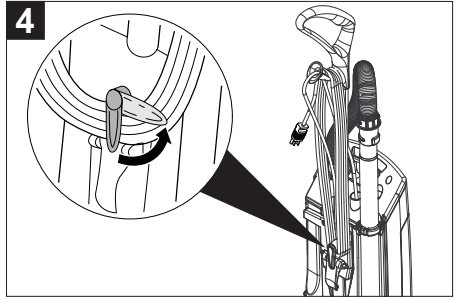
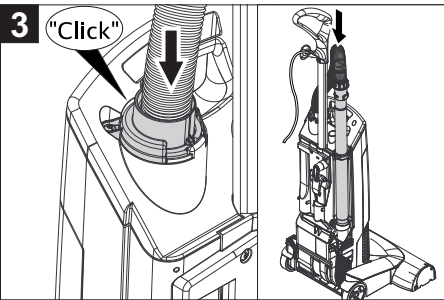
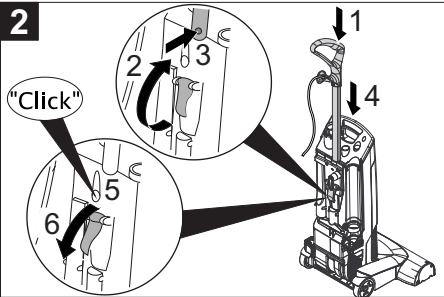
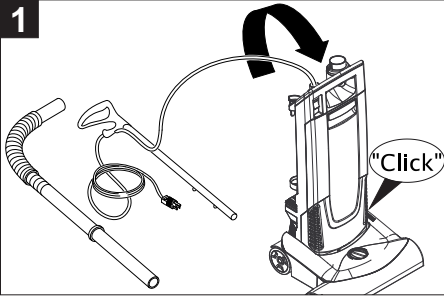
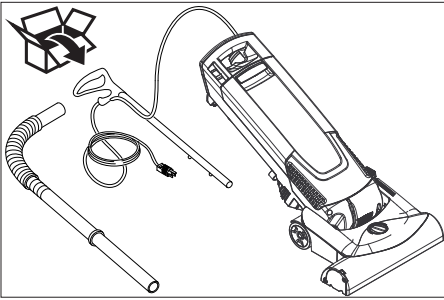


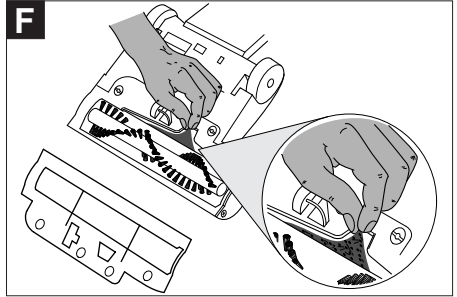
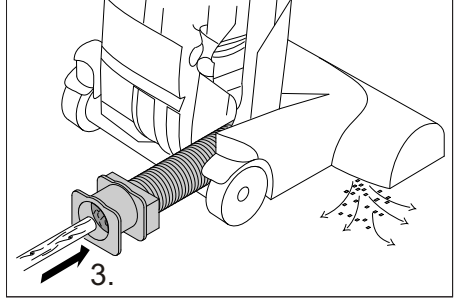
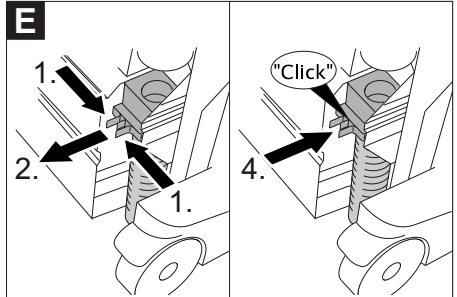
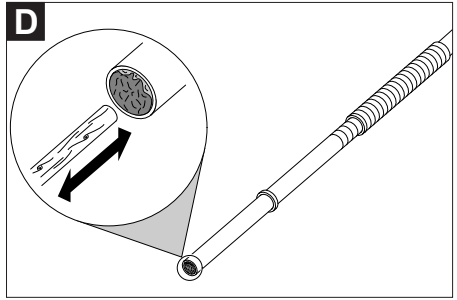
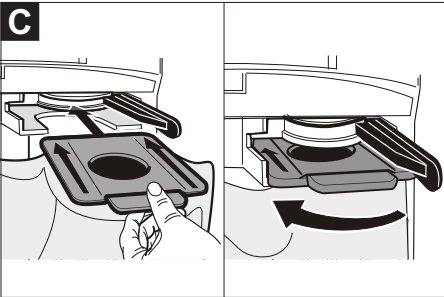
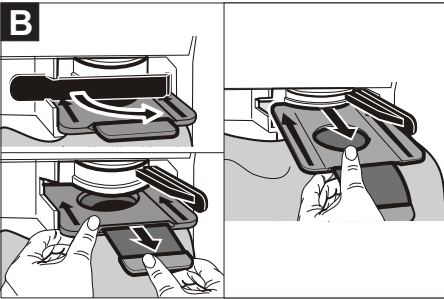
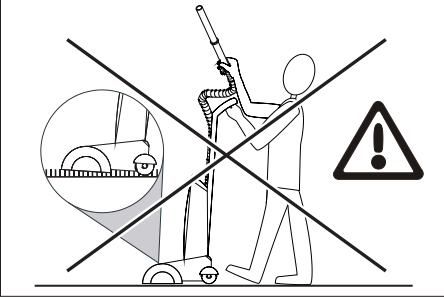
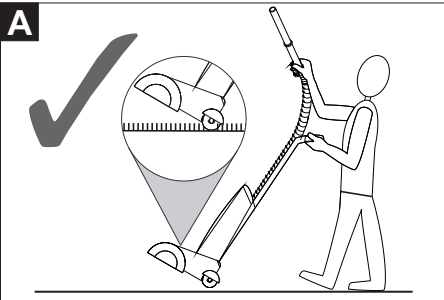
English	5
Français	13
Español	21

Register and win!  
[www.karcher.com](http://www.karcher.com)









# IMPORTANT SAFETY INSTRUCTIONS

## READ ALL INSTRUCTIONS BEFORE USING THIS MACHINE

- Inform your dealer immediately if there is any shipping damage.
- Completely remove the accessories from the box.
- The suction unit is not suitable for sucking up hazardous dusts as asbestos. Please consult your Kärcher branch or your Kärcher dealer with regard to such applications.
- Only operate the vacuum from a grounded outlet. Refer to the Technical data for the necessary main fuse.
- Connect to a properly grounded outlet only. See Grounding Instructions.

When using an electrical machine, basic precautions should always be followed, including the following: This vacuum is intended for commercial use.

- 1 DISCONNECT VACUUM CLEANER FROM POWER CIRCUIT before removing the cover, performing maintenance work, and when not in use.
- 2 DO NOT LEAVE the machine unattended when plugged in.
- 3 ALWAYS CHECK THE POWER SUPPLY CORD for damage or signs of any aging before each use.
- 4 DO NOT PULL OR CARRY VACUUM CLEANER BY CORD. Do not close door on cord or pull cord around sharp edges.
- 5 KEEP CORD AWAY FROM HEAT AND OIL. Do not leave cord lying around after job is complete. It can become a tripping hazard.
- 6 DO NOT RUN VACUUM OVER CORD.
- 7 TURN SWITCH TO OFF before unplugging power supply cord.
- 8 DO NOT UNPLUG BY PULLING CORD. To unplug, grasp plug, not cord.
- 9 DO NOT GRASP PLUG WITH WET HANDS.

- 10 A DAMAGED CORD OR PLUG should only be replaced by an authorized service center representative. DO NOT ATTEMPT TO REPAIR POWER CORD.
- 11 TO AVOID SHOCK, do not expose to rain. Store indoors.
- 12 USE ONLY AS RECOMMENDED BY THIS MANUAL. Use only with recommended attachments.
- 13 KEEP HAIR, CLOTHING, LOOSE JEWELRY, FINGERS and all parts of the body away from openings and moving parts.
- 14 DO NOT BLOCK OR OBSTRUCT OPENINGS. Keep openings free of lint, hair, dust, and anything that restricts air flow.
- 15 DO NOT PICK UP ANYTHING THAT IS BURNING, smoldering, or smoking such as matches, cigarettes, or hot ashes.
- 16 DO NOT USE TO VACUUM COMBUSTIBLE EXPLOSIVE MATERIALS, such as coal, grain, and other finely divided combustible material.
- 17 DO NOT USE TO VACUUM COMBUSTIBLE, hazardous, toxic, or carcinogenic materials, including gasoline, diesel fuel, acetone, paint thinner, heating oils, undiluted acids and solvents, pesticide, and asbestos.
- 18 USE RECOMMENDED FILTERS when vacuuming drywall materials.
- 19 DO NOT USE WITHOUT FILTER and/or dust bag in proper place.
- 20 CONNECT VACUUM CLEANER WITH PROPERLY GROUNDED OUTLET ONLY. See grounding instructions.
- 21 DO NOT ALLOW VACUUM CLEANER TO BE USED AS A TOY. Keep children away from Vacuum Cleaner.
- 22 DO NOT LEAVE UNATTENDED while Vacuum Cleaner is running.

- 23 DO NOT USE IF CORD, PLUG, FILTER, OR VACUUM CLEANER IS IN POOR CONDITION. If the Vacuum Cleaner has been dropped, damaged, exposed to weather, or dropped into water; have it checked by an authorized service.
- 24 ALWAYS USE EYE PROTECTION when operating Vacuum Cleaner.
- 25 USE EXTRA CAUTION when operating on stairs.
- 26 STAY ALERT! Do not use Vacuum Cleaner when you are tired or under the influence of drugs, alcohol or medication.

### **SAVE THESE INSTRUCTIONS**

**This vacuum is intended for commercial use.**

### **SAFETY INSTRUCTIONS**

#### **GROUNDING INSTRUCTIONS**

- This appliance must be grounded. If it should malfunction or break down, grounding provides a path of least resistance for electric current to reduce the risk of electric shock.
- This appliance is equipped with a cord having an equipment grounding conductor and ground plug.
- The plug must be inserted into an appropriate outlet that is properly installed and grounded in accordance with all local codes and ordinances.

#### **WARNING:**

- Improper connection of the equipment-grounding conductor can result in a risk of electric shock.
- Check with a qualified electrician or service person if you are in doubt as to whether the outlet is properly grounded.
- Do not modify the plug provided with the appliance.
- If it will not fit the outlet, have a proper outlet installed by a qualified electrician.
- This appliance is for use on a nominal 120-volt circuit, and has a grounded plug that looks like the plug illustrated in Fig.A.
- A temporary adapter that looks like the adapter illustrated in Fig.B, may be used to connect this plug to a two-pole receptacle as shown in Fig.B, if a properly grounded outlet is not available.
- The temporary adapter should be used only until a properly grounded outlet (Fig.A) is installed by a qualified electrician.
- The green colored rigid ear, lug, or the like extending from the adapter must be connected to a permanent ground such as a properly grounded outlet box cover.
- Whenever the adapter is used, it must be held in place by a metal screw.

**IN ALL CASES, MAKE SURE THE RECEPTACLE IN QUESTION IS PROPERLY GROUNDED.**

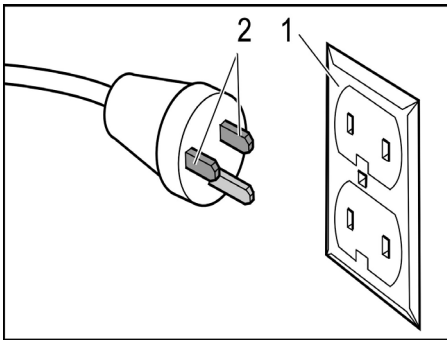
**NEVER REMOVE GROUNDING PRONG FROM POWER PLUG.**

**EXTENSION CORDS**

Use only three-wire extension cords that have three-prong grounding-type plugs and three-pole receptacle that accepts the appliance's plug. Replace damaged or worn cord immediately.

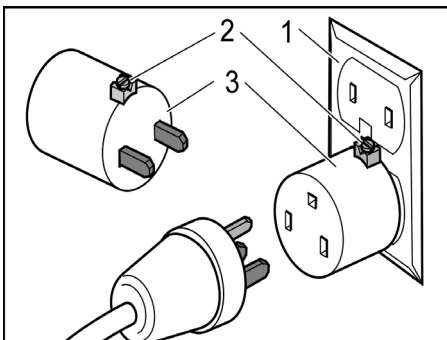
**DO NOT ATTEMPT TO REPAIR POWER CORD.**

Figure A



- 1 Grounded outlet box
  - 2 Current carrying prongs
- Grounding prong is longest of the 3 prongs

Figure B



- 1 Grounded outlet box
- 2 Grounding means
- 3 Adapter

Note: In Canada, the use of a temporary adapter is not permitted by the Canadian Electrical Code.

**Servicing of double-insulated machines**

In a double-insulated machine, two systems of insulation are provided instead of grounding. No grounding means is provided on a double-insulated machine, nor should a means for grounding be added to the machine. Servicing a double-insulated machine requires extreme care and knowledge of the system, and should be done only by qualified service personnel. Replacement parts for a double-insulated machine must be identical to the parts they replace.



Please read and comply with these original instructions prior to the initial operation of your appliance and store them for later use or subsequent owners.

- Before first start-up it is definitely necessary to read the safety indications Nr. 5.956-249!
- The non-compliance of the operating and safety instructions may lead to damages of the appliance and to dangers for the operator and other persons.
- In case of transport damage inform vendor immediately
- When unpacking the product, make sure that no accessories are missing and that none of the package contents have been damaged.

## Contents

Environmental protection . . .	EN . . . 1
Symbols in the operating instructions . . . . .	EN . . . 1
Proper use . . . . .	EN . . . 1
Device elements . . . . .	EN . . . 2
Operation . . . . .	EN . . . 2
Transport . . . . .	EN . . . 2
Storage . . . . .	EN . . . 2
Maintenance and care . . . .	EN . . . 2
Troubleshooting . . . . .	EN . . . 3
Warranty . . . . .	EN . . . 4
Accessories and Spare Parts	EN . . . 4
Technical specifications . . .	EN . . . 5

## Environmental protection



The packaging material can be recycled. Please do not throw the packaging material into household waste; please send it for recycling.



Old appliances contain valuable materials that can be recycled; these should be sent for recycling. Batteries, oil, and similar substances must not enter the environment. Please dispose of your old appliances using appropriate collection systems.

### Notes about the ingredients (REACH)

You will find current information about the ingredients at:

[www.kaercher.com/REACH](http://www.kaercher.com/REACH)

## Symbols in the operating instructions

### **Danger**

*Immediate danger that can cause severe injury or even death.*

### **Warning**

*Possible hazardous situation that could lead to severe injury or even death.*

### **Caution**

*Possible hazardous situation that could lead to mild injury to persons or damage to property.*

## Proper use

### **Warning**

*The appliance is not suitable for vacuuming dust which endangers health.*

### **Caution**

*This unit is only to be used indoors.*

- The vacuum cleaner is meant for dry cleaning of floors and walls.
- This appliance is suited for the commercial use, e.g. in hotels, schools, hospitals, factories, shops, offices, and rental companies.



## Device elements

### Illustration on Page 2

- 1 Indicator lamp (red)
- 2 Cable hook, rotating
- 3 Handle adjustment
- 4 Crevice nozzle
- 5 Upholstery nozzle
- 6 Nameplate
- 7 Suction hose on the brush head
- 8 Locking mechanism of the filter bag
- 9 Filter bag
- 10 Unlocking brush head
- 11 Motor protection filter
- 12 Filter casing
- 13 Locking mechanism of the motor protection filter
- 14 Locking mechanism of the filter casing
- 15 Exhaust filter
- 16 Fastening screw of the side part
- 17 Side part
- 18 Turn-lock fastener of the brush cover
- 19 Brush head
- 20 Brush roller
- 21 Brush cover
- 22 Indicator bundle (red)
- 23 Pile height adjustment knob
- 24 Filter cover
- 25 Main switch
- 26 Suction tube
- 27 Suction hose
- 28 Handle
- 29 Power cord

## Operation

### Turning on the Appliance

- ➔ Plug in the main plug.
- ➔ Switch on the appliance at the main switch.

## Cleaning operations

### Brush roller operation

- ➔ Set the pile height via the adjustment knob of the brush head.
- ➔ Perform the cleaning operation.

### Suction pipe operation

Illustration 

#### **Warning**

*When sucking with the vacuum wand, the brush head with the rotating brush roller may not be placed on a long pile carpet. Longer contact with the rotating brush roller could damage or destroy the carpet.*

### Turn off the appliance

- ➔ Switch off the appliance at the main switch.
- ➔ Pull out the mains plug.

## Transport

### Caution

*Risk of injury and damage! Observe the weight of the appliance when you transport it.*

- ➔ When transporting in vehicles, secure the appliance according to the guidelines from slipping and tipping over.

## Storage

### Caution

*Risk of injury and damage! Note the weight of the appliance in case of storage.*

This appliance must only be stored in interior rooms.

## Maintenance and care

### **Danger**

*First pull out the plug from the mains before carrying out any tasks on the machine.*

## Maintenance intervals

### Daily

- Clean the brush roller.

### Weekly

- Check the wear of the brush roller.

**Note:** The degree of the wear is shown by a comparison with the indicator bundle of a different colour. When the black bristles are at the same height as the red ones, replace the brush roller.

## Cleaning the brush roller

- Dismount the brush cover if necessary: Turn the turn-lock fasteners by 90° and remove the brush cover.
- Cut hair and threads that have got wound on the brush roller using a pair of scissors or just remove them.

## Replacing the filter bag

- Unlock and remove the filter cover.

Illustration 

- Turn the locking mechanism of the filter bag towards the right. Close, remove, and dispose of the filter bag.

Illustration 

- Insert a new filter bag and turn the locking mechanism of the filter bag towards the left.
- Insert and lock filter cover.

## Replace exhaust filter

- Unlock and remove the filter cover.
- Push the locking mechanism of the filter casing upwards and remove the filter casing.
- Remove the exhaust filter from the filter housing.
- Insert new exhaust filter into filter housing.
- Insert and click the filter housing into its place.
- Insert and lock filter cover.

## Replace motor protection filter

- Unlock and remove the filter cover.
- Push the locking mechanism of the motor protection filter upwards. Remove and dispose of the motor protection filter.
- Install and lock the new motor protection filter.
- Insert and lock filter cover.

## Replacing the brush roller

- Dismount the side part by means of a coin.
- Pull out the brush roller and dispose of.
- Insert a new brush roller.
- Reinstall side part.

## Troubleshooting

### **Danger**

*First pull out the plug from the mains before carrying out any tasks on the machine.*

## Remove blockings

### Suction pipe/suction hose

Illustration 

### Suction hose on the brush head

Illustration 

### Brush roller/brush head

Illustration 

**Note:** If necessary, dismount brush cover (refer to "Cleaning of the brush roller").

## Motor does not run

- No electrical voltage.
- Check the receptacle and the fuse of the power supply.
- Check the power cable and the power plug of the device.
- Thermostat switched off the motor because of overheating
- Replace blocked filters or remove blockages from the suction hose.

The unit is operational again after it has cooled down.

### Rattling noise when switched off

**Note:** The brush roller is equipped with a slip clutch that disengages when oversized or blocking objects are sucked in.

**Note:** The clutch is re-engaged after the unit is switched off. This produces a loud rattling sound.

- Check the brush roller for obstructing objects and remove them if necessary.
- The noise can not be heard when the unit is switched back on.

### Unsatisfying suction result

- Check the brush roller for obstructing objects and remove them if necessary.
- Remove obstructions from brush head, suction pipe and suction hose.
- Replace the filter bag.
- Replace exhaust air filter or motor protection filter.
- Check the pile height adjustment knob for correct adjustment.
- Replace the brush roller.

### The red indicator lamp is ON

- Remove obstructions from brush head, suction pipe and suction hose.
- Replace the filter bag.


## Warranty

The warranty terms published by the relevant sales company are applicable in each country. We will repair potential failures of your appliance within the warranty period free of charge, provided that such failure is caused by faulty material or defects in manufacturing. In the event of a warranty claim please contact your dealer or the nearest authorized Customer Service centre. Please submit the proof of purchase.

## Accessories and Spare Parts

- Only use accessories and spare parts which have been approved by the manufacturer. The exclusive use of original accessories and original spare parts ensures that the appliance can be operated safely and trouble free.
- At the end of the operating instructions you will find a selected list of spare parts that are often required.
- For additional information about spare parts, please go to the Service section at [www.kaercher.com](http://www.kaercher.com).

## Technical specifications

		CV 30/1	CV 38/1
Mains voltage	V	120	120
Frequency	Hz	1~ 60	1~ 60
Rated current	A	9	9
Air volume (max.)	CFM (l/s)	102 (48)	102 (48)
Negative pressure (max.)	mm (kPa)	2140 (21.0)	2140 (21.0)
Protective class		II	II
Length x width x height	in (mm)	48.0 x 12.0 x 12.5 (1220 x 310 x 320)	48.0 x 15.5 x 12.5 (1220 x 390 x 320)
Width of the brush roller	in (mm)	12.0 (300)	15.0 (380)
Typical operating weight	lbs (kg)	19.6 (8.9)	20.3 (9.2)
Max. ambient temperature	°F (°C)	104 (+40)	104 (+40)
<b>Values determined to EN 60335-2-69</b>			
Sound pressure level $L_{pA}$	dB(A)	67	67
Uncertainty $K_{pA}$	dB(A)	1	1

<b>Power cord</b>	SJT 3x18 AWG	
	Part no.:	Cable length
USA	4.649-026.0	39.5 ft (12 m)

## CONSIGNES DE SÉCURITÉ IMPORTANTES

### OBSERVEZ LES POINTS SUIVANTS AVANT LA MISE EN SERVICE DE L'AP- PAREIL

- En cas de dommages dus au transport, veuillez en informer immédiatement votre revendeur.
- Sortir tous les accessoires du carton.
- L'aspirateur ne convient pas pour aspirer des poussières nocives comme p. ex. l'amiante. Pour de telles applications, veuillez vous adresser à votre représentation Kärcher ou à votre revendeur Kärcher.
- Ne brancher l'aspirateur qu'à une prise de courant de sécurité conforme. Faisible nécessaire, voir les caractéristiques techniques.
- Brancher uniquement sur une prise correctement reliée à la terre. Voir les instructions de mise à terre.

Lorsque vous utilisez un appareil électrique, vous devez prendre certaines précautions de base, dont la suivante: Cet aspirateur est conçu pour l'usage professionnel.

- 1 DÉBRANCHER L'ASPIRATEUR avant d'enlever le couvercle, d'effectuer tout entretien et lorsqu'il n'est pas utilisé.
- 2 Ne laissez pas l'appareil sans surveillance tant qu'il est branché.
- 3 TOUJOURS VÉRIFIER QUE LE CORDON D'ALIMENTATION n'est ni vieilli, ni abîmé, avant chaque usage.
- 4 NE PAS TRANSPORTER L'ASPIRATEUR OU LE TIRER PAR LE CORDON. Ne pas fermer de portes sur le cordon ou faire passer celui-ci sur des bords tranchants.
- 5 NE PAS METTRE LE CORDON À LA CHALEUR OU DANS DE L'HUILE. Ne pas laisser le cordon traîner par terre après la fin du travail. Il pourrait provoquer une chute.

- 6 NE PAS PASSER L'ASPIRATEUR SUR LE CORDON.
- 7 METTRE L'INTERRUPTEUR SUR avant de débrancher l'appareil.
- 8 NE PASTIRER SUR LE CORDON POUR DÉBRANCHER l'appareil. Tirer sur la prise.
- 9 NE PAS SAISIR LA PRISE AVEC DES MAINS MOUILLÉES.
- 10 SI LE CORDON OU LA PRISE EST ABÎMÉ, le faire remplacer par un agent d'un centre de service agréé uniquement. NE PAS ESSAYER DE RÉPARER SOI-MÊME.
- 11 POUR ÉVITER TOUT CHOC ÉLECTRIQUE, ne pas laisser l'appareil sous la pluie. Le stocker à l'intérieur.
- 12 N'UTILISER L'APPAREIL QUE COMME IL EST CONSEILLÉ DANS CE MODE D'EMPLOI. Utiliser exclusivement les accessoires recommandés.
- 13 ÉLOIGNER LES CHEVEUX, LES VÊTEMENTS, LES BIJOUX FLOTTANTS, LES DOIGTS et toutes les parties du corps des ouvertures et des pièces mobiles.
- 14 NE PAS FERMER OU OBSTRUER LES OUVERTURES. Enlever les peluches, cheveux, poussières et tout ce qui pourrait gêner le passage de l'air.
- 15 NE PAS AGRÉER D'OBJETS EN FEU, rougissants ou dégageant de la fumée tels que des allumettes, des cigarettes ou des cendres chaudes.
- 16 NE PAS ASPIRER DE MATÉRIAUX COMBUSTIBLES EXPLOSIFS, tels que charbon, grains et autres matériaux combustibles finement divisés.
- 17 NE PAS ASPIRER DE MATÉRIAUX COMBUSTIBLES, dangereux, toxiques ou cancérigènes comme l'essence, le gas-oil, l'acétone, les diluants à peinture, le fuel domestique, les acides et les solvants non dilués, les pesticides et l'amiante.
- 18 UTILISER LES FILTRES RECOMMANDÉS pour aspirer les solides.

- 19 NE PAS UTILISER L'APPAREIL SI LE FILTRE ou le sac à poussière n'est pas en place.
- 20 NE BRANCHER L'ASPIRATEUR QUE SUR UNE PRISE PROPREMENT RELIÉE À LA TERRE. Voir les consignes de raccordement à la terre.
- 21 INTERDIRE DE JOUER AVEC L'ASPIRATEUR. En tenir les enfants éloignés.
- 22 NE PAS LAISSER L'ASPIRATEUR SANS SURVEILLANCE pendant le fonctionnement.
- 23 NE PAS L'UTILISER SI LE CORDON, LA PRISE, LE FILTRE OU L'ASPIRATEUR EST EN MAUVAIS ÉTAT. Si l'aspirateur est tombé, a été abîmé, a été exposé, aux intempéries ou est tombé dans de l'eau, le faire vérifier par un agent de service.
- 24 TOUJOURS PORTER UNE PROTECTION OCULAIRE lors de l'utilisation de l'aspirateur.
- 25 REDOUBLER DE PRUDENCE pour l'utilisation dans un escalier.
- 26 RESTER VIGILANT! Ne pas utiliser l'aspirateur quand on est fatigué ou après avoir pris de la drogue, de l'alcool ou des médicaments.

## CONSERVER CES CONSIGNES

**Cet aspirateur est conçu pour l'usage professionnel.**

## CONSIGNES DE SÉCURITÉ

### INSTRUCTIONS DE MISE À LA TERRE

- Cet appareil doit être connecté à la terre. En cas de dysfonctionnement ou de panne, la mise à la terre fournit un chemin de moindre résistance pour le courant électrique pour réduire le risque de choc électrique.
- Cet appareil est équipé d'un câble doté d'un équipement conducteur de terre et d'une prise de terre.

- La fiche doit être branchée dans une prise électrique qui est correctement installée et raccordée à la terre en conformité avec les réglementations et directives locales.

### AVERTISSEMENT :

- Une connexion incorrecte du conducteur de terre de l'équipement peut avoir pour résultat un risque de choc électrique.
- Contrôler avec un électricien qualifié ou un technicien de service si vous avez des doutes relatifs à la mise à la terre correcte de la prise.
- Ne pas modifier la fiche fournie avec l'appareil.
- Si la fiche ne rentre pas dans la prise, faites installer une prise appropriée par un électricien qualifié.
- Cet appareil est destiné à une utilisation sur un circuit 120 V nominaux, et est équipé d'une prise de terre qui ressemble à la prise illustrée dans la fig. A.
- Un adaptateur temporaire qui ressemble à l'adaptateur illustré dans la fig. B peut être utilisé pour connecter cette fiche au réceptacle deux pôles comme indiqué dans la fig. B si une prise correctement reliée à la terre n'est pas disponible.
- L'adaptateur temporaire doit être utilisé uniquement jusqu'à ce qu'une prise correctement reliée à la terre (fig. A) soit installée par un électricien qualifié.
- L'oreille rigide de couleur verte, la lame ou l'équivalent étendu depuis l'adaptateur doit être connecté à une terre permanente comme un couvercle de prise relié correctement à la terre.
- Quel que soit l'endroit où l'adaptateur est utilisé, il doit être maintenu en place par une vis métallique.

**DANS TOUS LES CAS, S'ASSURER QUE LE RECEPTACLE EN QUESTION EST CORRECTEMENT RELIÉ À LA TERRE.**

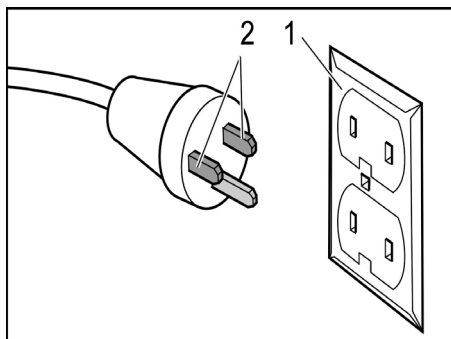
**NE JAMAIS RETIRER LA LANGUETTE DE CONTACT DE TERRE DE LA FICHE ELECTRIQUE.**

**RALLONGES**

Utiliser uniquement des câbles de rallonge à trois fils équipés de fiches à mise à la terre à trois languettes et des réceptacles à trois pôles qui acceptent la fiche de l'appareil. Remplacer le câble endommagé ou usé immédiatement.

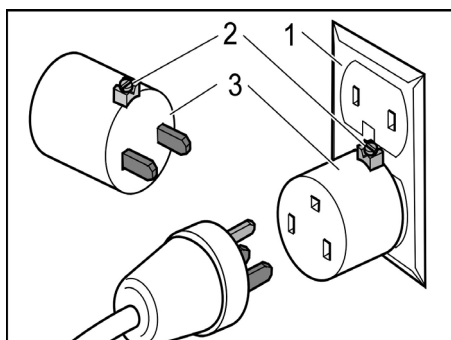
**NE PAS TENTER DE REPARER UN CABLE D'ALIMENTATION.**

Figure A



- 1 Socle de prise de courant
  - 2 Languettes conduisant le courant
- La languette de terre est la plus longue.

Figure B



- 1 Socle de prise de courant
- 2 Moyens de mise à la terre

**3 Adapteur**

Note : au Canada, l'utilisation d'un adaptateur temporaire n'est pas autorisée par le Code Electrique Canadien.

**Entretien des appareils à double-isolation**

Dans un appareil à double isolation, deux isolations distinctes remplacent la mise à la terre. L'appareil à double isolation n'est pourvu d'aucun dispositif de mise à la terre et un tel dispositif ne doit pas être ajouté. L'entretien d'un appareil à double isolation demande beaucoup de soins ainsi qu'une bonne connaissance du système et net devrait être effectué que par un technicien d'entretien qualifié. Les pièces de rechange d'un appareil à double isolation doivent être identiques aux pièces originales.



Lire ces notice originale avant la première utilisation de votre appareil, se comporter selon ce qu'elles requièrent et les conserver pour une utilisation ultérieure ou pour le propriétaire futur.

- Avant la première mise en service, vous devez impérativement avoir lu les consignes de sécurité N° 5.956-249 !
- En cas de non-respect des instructions de service et des consignes de sécurité, l'appareil risque de subir des dommages matériel et l'utilisateur ainsi que toute tierce personne sont exposés à des dangers potentiels.
- Contactez immédiatement le revendeur en cas d'avarie de transport.
- Contrôler le matériel lors du déballage pour constater des accessoires manquants ou des dommages.

## Table des matières

Protection de l'environnement	FR	... 1
Symboles utilisés dans le mode d'emploi	FR	... 1
Utilisation conforme	FR	... 1
Éléments de l'appareil	FR	... 2
Utilisation	FR	... 2
Transport	FR	... 2
Entreposage	FR	... 2
Entretien et maintenance	FR	... 2
Assistance en cas de panne	FR	... 3
Garantie	FR	... 4
Accessoires et pièces de rechange	FR	... 4
Caractéristiques techniques	FR	... 5

## Protection de l'environnement



Les matériaux constitutifs de l'emballage sont recyclables. Ne pas jeter les emballages dans les ordures ménagères, mais les remettre à un système de recyclage.



Les appareils usés contiennent des matériaux précieux recyclables lesquels doivent être apportés à un système de recyclage. Il est interdit de jeter les batteries, l'huile et les substances similaires dans l'environnement. Pour cette raison, utiliser des systèmes de collecte adéquats afin d'éliminer les appareils hors d'usage.

## Instructions relatives aux ingrédients (REACH)

Les informations actuelles relatives aux ingrédients se trouvent sous :

[www.kaercher.com/REACH](http://www.kaercher.com/REACH)

## Symboles utilisés dans le mode d'emploi

### **Danger**

*Pour un danger immédiat qui peut avoir pour conséquence la mort ou des blessures corporelles graves.*

### **Avertissement**

*Pour une situation potentiellement dangereuse qui peut avoir pour conséquence des blessures corporelles graves ou la mort.*

### **Attention**

*Pour une situation potentiellement dangereuse qui peut avoir pour conséquence des blessures légères ou des dommages matériels.*

## Utilisation conforme

### **Avertissement**

*Cet appareil n'est pas conçu pour aspirer des poussières nocives.*

### **Attention**

*Le présent appareil n'est destiné qu'à un usage intérieur.*

- l'aspirateur est destiné au nettoyage sec des sols et des cloisons.
- Cet appareil convient à un usage industriel, par exemple dans le cadre d'hôtels, d'écoles, d'hôpitaux, d'usines, de magasins, de bureaux et d'agences de location.



## Éléments de l'appareil

### Illustration voir page 2

- 1 Lampe témoin (rouge)
- 2 Crochet de câble, rotatif
- 3 Réglage poignée
- 4 Suceur fente
- 5 Buse-brosse pour coussins
- 6 Plaque signalétique
- 7 Tuyau d'aspiration sur le sabot
- 8 Verrouillage du sac aspirateur
- 9 Sac
- 10 Déverrouillage tête de brosse
- 11 Filtre protecteur du moteur
- 12 Boîtier du filtre
- 13 Verrouillage du filtre de protection moteur
- 14 Verrouillage du corps de filtre
- 15 Filtre d'air évacué
- 16 Vis de fixation de la partie latérale
- 17 Partie latérale
- 18 Fermeture rotative du recouvrement de brosse
- 19 Tête de brosse
- 20 Rouleau de brosse
- 21 Couverture des brosses
- 22 Faisceau indicateur (rouge)
- 23 Bouton de réglage pour hauteur de poils
- 24 Couvercle filtre
- 25 Interrupteur principal
- 26 Tuyau d'aspiration
- 27 Flexible d'aspiration
- 28 Poignée
- 29 Câble d'alimentation

## Utilisation

### Mettre l'appareil en marche


- ➔ Brancher la fiche secteur.
- ➔ Mettre l'appareil en service au niveau de l'interrupteur principal.

## Fonctionnement de nettoyage

### Fonctionnement de la brosse-rouleau

- ➔ Régler la hauteur de fil au niveau du bouton de réglage du sabot.
- ➔ Procéder au nettoyage.

### Fonctionnement du tube d'aspiration

Illustration 

#### **Avertissement**

*Lors de l'aspiration avec le flexible, la tête de la brosse avec rouleau rotatif ne doit pas être mise sur le tapis à poils longs. Le tapis pourrait être endommagé, voire détruit si le rouleau de brosse rotatif restait longtemps sur celui-ci.*

### Mise hors service de l'appareil

- ➔ Mettre l'appareil hors service au niveau de l'interrupteur principal.
- ➔ Retirer le connecteur de la prise.

## Transport

### Attention

*Risque de blessure et d'endommagement ! Respecter le poids de l'appareil lors du transport.*

- ➔ Sécuriser l'appareil contre les glissements ou les basculements selon les directives en vigueur lors du transport dans des véhicules.

## Entreposage

### Attention

*Risque de blessure et d'endommagement ! Prendre en compte le poids de l'appareil à l'entreposage.*

Cet appareil doit uniquement être entreposé en intérieur.

## Entretien et maintenance

#### **Danger**

*Avant d'effectuer tout type de travaux sur l'appareil, le mettre hors service et débrancher la fiche électrique.*

## Fréquence de maintenance

### Tous les jours

- Nettoyer la brosse rotative

### Hebdomadairement

- Vérifier l'usure de la brosse-rouleau.

**Remarque :** Le degré de l'usure peut être vu en comparant avec le faisceau indicateur de l'autre couleur. Si les poils noirs sont à la même hauteur que les rouges, remplacer la brosse-rouleau.

## Nettoyage du rouleau de brosse

- Le cas échéant, démonter le recouvrement de brosse : Tourner les fermetures rotatives à 90° et retirer le recouvrement de brosse.
- Pour retirer d'éventuels cheveux et fils s'étant enroulés autour du rouleau de brosse, il faut les couper avec des ciseaux et les retirer.

## Changer le papier filtre

- Déverrouiller et retirer le couvercle de filtre.

Illustration **B**

- Tourner à droite le verrouillage du sac aspirateur. Fermer le sac aspirateur, le retirer et l'éliminer.

Illustration **C**

- Mettre en place un nouveau sac aspirateur et tourner vers la gauche le verrouillage du sac aspirateur.
- Mettre en place et verrouiller le couvercle de filtre.

## Remplacer le filtre d'air évacué

- Déverrouiller et retirer le couvercle de filtre.
- Appuyer vers le bas sur le verrouillage du corps de filtre et retirer le corps de filtre.
- Extraire le filtre d'air d'échappement du corps du filtre.
- Mettre en place un nouveau filtre d'air d'échappement dans le corps de filtre.

- Positionner le corps de filtre et l'enclencher.
- Mettre en place et verrouiller le couvercle de filtre.

## Remplacement du filtre protecteur du moteur

- Déverrouiller et retirer le couvercle de filtre.
- Appuyer vers le bas sur le verrouillage du filtre de protection moteur. Retirer et éliminer le filtre de protection moteur.
- Mettre en place le nouveau filtre de protection moteur et le verrouiller.
- Mettre en place et verrouiller le couvercle de filtre.

## Remplacement de la brosse rotative

- Démonter la partie latérale à l'aide d'une pince.
- Retirer la brosse-rouleau et l'éliminer.
- Mettre un nouveau rouleau-brosse en place.
- Remonter la partie latérale.

## Assistance en cas de panne

### **⚠ Danger**

*Avant d'effectuer tout type de travaux sur l'appareil, le mettre hors service et débrancher la fiche électrique.*

## Retirer les bourrages

### Tube d'aspiration/tuyau d'aspiration

Illustration **D**

### Tuyau d'aspiration sur le sabot

Illustration **E**

### Brosse-rouleau/sabot

Illustration **F**

**Remarque :** Le cas échéant, démonter le recouvrement de brosse (cf. "Nettoyage de la brosse-rouleau").

## Le moteur ne marche pas

- Aspirateur hors tension.
  - Vérifier la prise et le fusible de l'alimentation électrique.
  - Vérifier le câble d'alimentation et la fiche secteur de l'appareil.
  - L'interrupteur thermique a arrêté le moteur à cause de surchauffage
  - Changer le filtre bouché ou éliminer le bouchage dans le flexible d'aspiration.
- Une fois refroidi, l'appareil est à nouveau prêt à être mis en service.

## Bruit de broutage lors de l'arrêt

**Remarque :** La brosse-rouleau est équipée d'un embrayage de glissement, qui s'enclenche lors de l'aspiration d'objets trop gros ou qui bloquent.

**Remarque :** Le raccord ne s'enclenche qu'après l'arrêt de l'appareil, ce qui produit un bruit de pétarade important.

- Contrôler que des objets ne bloquent pas la brosse-rouleau et les retirer le cas échéant.

Lors de la remise en marche de l'appareil, le bruit ne retentit plus.

## Résultat de l'aspiration insatisfaisant

- Contrôler que des objets ne bloquent pas la brosse-rouleau et les retirer le cas échéant.
- Éliminer les colmatages de la tête de brosse, du tuyau d'aspiration et du flexible d'aspiration.
- Changer le papier filtre.
- Remplacer le filtre pour l'air vicié ou le filtre de protection moteur.
- Contrôler le bon réglage du bouton de réglage de la hauteur de voile.
- Remplacer la brosse rotative.

## Le voyant de contrôle rouge est allumé

- Éliminer les colmatages de la tête de brosse, du tuyau d'aspiration et du flexible d'aspiration.
- Changer le papier filtre.


## Garantie

Dans chaque pays, les conditions de garantie en vigueur sont celles publiées par notre société de distribution responsable. Les éventuelles pannes sur l'appareil sont réparées gratuitement dans le délai de validité de la garantie, dans la mesure où celles-ci relèvent d'un défaut matériel ou d'un vice de fabrication. En cas de recours en garantie, adressez-vous à votre revendeur ou au service après-vente agréé le plus proche munis de votre preuve d'achat.

## Accessoires et pièces de rechange

- Utiliser uniquement des accessoires et des pièces de rechange autorisés par le fabricant. Des accessoires et des pièces de rechange d'origine garantissent un fonctionnement sûr et parfait de l'appareil.
- Une sélection des pièces de rechange utilisées le plus se trouve à la fin du mode d'emploi.
- Plus information sur les pièces de rechange vous les trouverez sous [www.kaercher.com](http://www.kaercher.com) sous le menu Service.

## Caractéristiques techniques

		CV 30/1	CV 38/1
Tension du secteur	V	120	120
Fréquence	Hz	1~ 60	1~ 60
Courant nominal	A	9	9
Débit d'air (maxi)	CFM (l/s)	102 (48)	102 (48)
Dépression (maxi)	mm (kPa)	2140 (21.0)	2140 (21.0)
Classe de protection		II	II
Longueur x largeur x hauteur	in (mm)	48.0 x 12.0 x 12.5 (1220 x 310 x 320)	48.0 x 15.5 x 12.5 (1220 x 390 x 320)
Largeur de la brosse-rouleau	in (mm)	12.0 (300)	15.0 (380)
Poids de fonctionnement typique	lbs (kg)	19.6 (8.9)	20.3 (9.2)
Température ambiante (maxi)	°F (°C)	104 (+40)	104 (+40)
<b>Valeurs définies selon EN 60335-2-69</b>			
Niveau de pression sonore $L_{pA}$	dB(A)	67	67
Incertitude $K_{pA}$	dB(A)	1	1

Câble d'alimentation	SJT 3x18 AWG	
	Référence	Longueur de câble
USA	4.649-026.0	39.5 ft (12 m)

## **INSTRUCCIONES IMPORTANTES DE SEGURIDAD**

### **ANTES DE LA PRIMERA PUESTA EN MARCHA DEL APARATO DEBERÁN OBSERVARSE LOS SIGUIENTES PUNTOS**

- Si al desembalar el aparato comprobara Vd. algún daño o desperfecto en el mismo atribuible al transporte, rogamos se dirija inmediatamente al distribuidor en donde adquirió el aparato.
- Extraiga la totalidad de las piezas y accesorios del aparato que se encuentran en el recipiente del mismo o en la caja de cartón del embalaje.
- El aparato no es apropiado para la aspiración de polvos nocivos para la salud, como por ejemplo amianto. Para este tipo de aplicaciones deberá ponerse en contacto con su Distribuidor o la Delegación Nacional de Kärcher.
- El aspirador sólo se deberá conectar a tomas de corriente instaladas correctamente y provistas de una puesta a tierra reglamentaria. Los datos necesarios para el fusible de la red figuran en el apartado <<Características Técnicas>>.
- Conectar exclusivamente a una toma con puesta a tierra. Consultar las instrucciones de puesta a tierra.

En caso de utilizar herramientas eléctricas acopladas al aparato, deberán observarse estrictamente todas las normas de seguridad básicas, a fin de prevenir cualquier riesgo de incendio, descargas eléctricas o daños o lesiones del personal encargado de manipular los mismos: Esta aspiradora está diseñada para uso comercial.

- 1 **DESCONECTE LA ASPIRADORA DEL CIRCUITO DE ALIMENTACIÓN** antes de quitar la tapa, antes de realizar trabajo de mantenimiento y cuando no la esté utilizando.
- 2 **NO DEJAR EL APARATO sin vigilancia**, mientras esté enchufado.

- 3 **SIEMPRE VERIFIQUE QUE EL CABLE ELECTRICO** no esté dañado o desperfecto antes de usar el aparato.
- 4 **NO TIRE (Jale) O LLEVE LA ASPIRADORA POR EL CABLE ELECTRICO.** Tampoco debe pellizcarlo con una puerta o estirarlo por ningún canto (borde) agudo.
- 5 **NO EXPONGA EL CABLE A LO CALIENTE NI A ACEITES.** Para prevenir un tropiezo, no deje el cable suelto después de usarlo.
- 6 **NO PASE LA ASPIRADORA POR ENCIMA DEL CABLE DE ALIMENTACIÓN.**
- 7 **PONGA EL SELECTOR EN LA POSICION DE <<OFF>>** antes de desenchufar el aparato.
- 8 **NO DESENCHUFE EL CABLE DE UN TIRON (Jalón).** Para desenchufarle agarre la clavija (enchufe) no el cable.
- 9 **NO AGARRE LA CLAVIJA (ENCHUFE) CON LAS MANOS MOJADAS.**
- 10 **EL CABLE ELECTRICO (O LA CLAVIJA)** sólo debe ser reemplazado por un representante de un Centro de Servicio Autorizado. **SE NINGUNA MANERA DEBE INTENTAR LA REPARACION DEL CABLE ELECTRICO.**
- 11 **PARA PREVENIR CHOQUES ELECTRICOS,** no exponga la herramienta a la lluvia. Guárdela en un lugar seco.
- 12 **SOLO USE EL APARATO COMO ESTA RECOMENDADO EN ESTE MANUAL.** También use únicamente los accesorios recomendados.
- 13 **MANTENGA ALEJADOS EL CABELLO (PELO), ROPA, ALHAJAS SUELTAS, DEDOS o cualquier otra parte del cuerpo,** de las aberturas y partes móviles de la máquina.
- 14 **NO CUBRA NI OBSTRUYA LAS ABERTURAS.** Mantenga las aberturas libres de pelusa, pelo, polvo y cualquier cosa que limite la circulación del aire.

- 15 NO ACOGE NINGUNA COSA QUE SE ESTE QUEMANDO, ardiendo sin llama o echando humo, tal como cigarrillos (cigarros), fósforos (cerillos) o cenizas calientes.
- 16 NO ASPIRE MATERIALES COMBUSTIBLES O EXPLOSIVOS, tal como carbón de piedra, cereales (o su polvo) u otra sustancia fina y combustible.
- 17 NO ASPIRE MATERIALES COMBUSTIBLES, peligrosos, tóxicos o carcinógenos por ejemplo: gasolina, gasoil (petróleo para diesel), acetona, diluyente para pintura, aceite combustible, ácidos y disolventes no diluidos, pesticidas y amianto (asbesto).
- 18 USE LOS FILTROS RECOMENDADOS para limpiar (aspirar) materiales de paredes en seco o paneles de yeso.
- 19 NO OPERE LA ASPIRADORA SIN FILTRO ni sin instalar la bolsa de polvo.
- 20 OLO CONECTE LA ASPIRADORA A TOMAS DE CORRIENTE CON CONEXION A TIERRA. (Vea <<NORMAS DE SEGURIDAD>>).
- 21 NO DEJE QUE LA ASPIRADORA SEA USADA COMO JUGUETE. No permita que se acerquen niños a la Aspiradora.
- 22 NO DEJE LA ASPIRADORA EN MARCHA sin personal para cuidarla.
- 23 NO OPERE LA MAQUINA SI EL CABLE, EL ENCHUFE (La Clavija), EL FILTRO O LA PROPIA ASPIRADORA ESTA EN MALA CONDICION. Si la Aspiradora se ha caído o ha sido dañada o expuesta a la intemperie o si se ha caído en el agua, mándela o llévela a un representante de servicio autorizado para que el mismo verifique su funcionamiento.
- 24 SIEMPRE USE PROTECCION PARA LOS OJOS cuando opere la Aspiradora.
- 25 USE EXTREMA PRECAUCION al limpiar escaleras.
- 26 MANTENGASE ALERTA! No use la Aspiradora cuando esté cansado o bajo la influencia de medicación, alcohol o drogas.

## CONSERVE ESTAS INSTRUCCIONES

**Esta aspiradora está diseñada para uso comercial.**

## INSTRUCCIONES DE SEGURIDAD

### INSTRUCCIONES DE PUESTA A TIERRA

- Este aparato debe ser puesto a tierra. Si funciona mal o se estropea, la toma a tierra ofrece una ruta de menor resistencia para la corriente eléctrica para reducir el riesgo de una descarga eléctrica.
- Este aparato está equipado con un cable que tiene un conductor con toma a tierra para el equipo y un enchufe con toma a tierra.
- El enchufe se debe insertar en una clavija apropiada que esté instalada correctamente y puesta a tierra de acuerdo con los códigos y normativas locales.

### ADVERTENCIA:

- Una conexión incorrecta del conductor del equipo de toma a tierra puede provocar una descarga eléctrica.
- Consulte a un electricista cualificado o a un técnico si tiene dudas acerca de si el enchufe tiene la toma a tierra correcta.
- No modifique el enchufe suministrado del aparato.
- Si no encaja en el enchufe, solicite a un electricista cualificado que instale un enchufe correcto.
- El aparato se usa con un circuito de 120 voltios y tiene un enchufe con toma a tierra que tiene el mismo aspecto que la ilustración A.
- Se puede usar un adaptador temporal como el de la ilustración B para conectar este enchufe a un receptáculo bipolar como se indica en la ilustración B si no hay un enchufe con toma a tierra correcto.

- El adaptador temporal sólo se debe usar hasta que el electricista cualificado haya instalado el enchufe con toma a tierra (fig. A).
- La orejeta verde rígida o similares que se extiende desde el adaptador se debe conectar a una toma permanente a tierra como una cubierta de caja con toma a tierra correcta.
- Siempre que se use el adaptador se debe mantener sujeto con un tornillo metálico.

**EN TODOS LOS CASOS, ASEGÚRESE DE QUE EL RECEPTÁCULO EN CUESTIÓN TIENE UNA TOMA A TIERRA CORRECTA.**

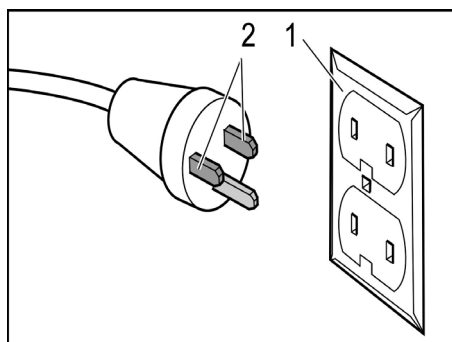
**NO RETIRE LA TOMA A TIERRA DEL ENCHUFE DE ALIMENTACIÓN.**

### CABLES ALARGADORES

Usar sólo cables alargadores de tres alambres que tengan enchufes triples y el receptáculo tripolar que acepta el enchufe del aparato. Sustituir inmediatamente el cable dañado o usado.

**NO INTENTE REPARAR EL CABLE DE ALIMENTACIÓN.**

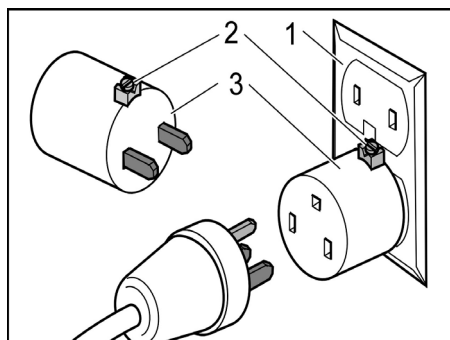
Figura A



- 1 Caja de toma de corriente con puesta a tierra
- 2 Horquillas conductoras de corriente

La horquilla de toma a tierra es la más larga de las 3

Figura B



- 1 Caja de toma de corriente con puesta a tierra
- 2 Medios de toma a tierra
- 3 Adaptador

Nota: en Canadá, el uso de un adaptador temporal no está permitido por el código canadiense de electricidad.

### Mantenimiento del aparato dotados de doble aislamiento

Un aparato dotado de doble aislamiento incorpora dos sistemas de aislamiento en lugar de la puesta a tierra. Es decir, el aparato dotado de doble aislamiento no incorporan ningún conductor ni dispositivo de puesta a tierra ni hay que acoplar a adicionalmente a los mismos una puesta a tierra. Los trabajos de mantenimiento de un aparato dotado de un sistema de doble aislamiento requieren unos conocimientos particularmente amplios y completos de dicho dispositivo y del aparato en cuestión, debiendo ser ejecutados exclusivamente por personal especializado del Servicio Técnico Postventa Oficial. En caso de tener que sustituir piezas o componentes defectuosos del aparato de doble aislamiento, las piezas de repuesto deberán ser idénticas a las piezas defectuosas.



Antes del primer uso de su aparato, lea este manual original, actúe de acuerdo a sus indicaciones y guárdelo para un uso posterior o para otro propietario posterior.

- ¡Antes de la primera puesta en marcha lea sin falta las instrucciones de uso y las instrucciones de seguridad n.º 5.956-249!
- El incumplimiento de las instrucciones de uso y de las indicaciones de seguridad puede provocar daños en el aparato y poner en peligro al usuario y a otras personas.
- En caso de daños de transporte informe inmediatamente al fabricante.
- Cuando desembale el contenido del paquete, compruebe si faltan accesorios o si el aparato presenta daños.

## Índice de contenidos

Protección del medio ambiente	ES	... 1
Símbolos del manual de instrucciones	ES	... 1
Uso previsto	ES	... 1
Elementos del aparato	ES	... 2
Manejo	ES	... 2
Transporte	ES	... 2
Almacenamiento	ES	... 2
Cuidados y mantenimiento	ES	... 2
Ayuda en caso de avería	ES	... 3
Garantía	ES	... 4
Accesorios y piezas de repuesto	ES	... 4
Datos técnicos	ES	... 5

## Protección del medio ambiente



Los materiales empleados para el embalaje son reciclables y recuperables. No tire el embalaje a la basura doméstica y entréguelo en los puntos oficiales de recogida para su reciclaje o recuperación.



Los aparatos viejos contienen materiales valiosos reciclables que deberían ser entregados para su aprovechamiento posterior. Evite el contacto de baterías, aceites y materias semejantes con el medio ambiente. Por este motivo, entregue los aparatos usados en los puntos de recogida previstos para su reciclaje.

### Indicaciones sobre ingredientes (REACH)

Encontrará información actual sobre los ingredientes en:

[www.kaercher.com/REACH](http://www.kaercher.com/REACH)

## Símbolos del manual de instrucciones

### Peligro

Para un peligro inminente que acarrea lesiones de gravedad o la muerte.

### Advertencia

Para una situación que puede ser peligrosa, que puede acarrear lesiones de gravedad o la muerte.

### Precaución

Para una situación que puede ser peligrosa, que puede acarrear lesiones leves o daños materiales.

## Uso previsto

### Advertencia

El aparato no es apto para aspirar polvos nocivos para la salud.

### Precaución

Este aparato sólo es apto para el uso en interiores.

- La aspiradora está diseñada para la limpieza en seco de pisos y superficies murales.
- Este aparato es apto para el uso en aplicaciones industriales, como en hoteles, escuelas, hospitales, fábricas, tiendas, oficinas y negocios de alquiler.



## Elementos del aparato

**Ilustración, véase la página 2**

- 1 Piloto de control (rojo)
- 2 Gancho de cable, giratorio
- 3 Ajuste del asa
- 4 Boquilla para juntas
- 5 Boquilla para acolchados
- 6 Placa de características
- 7 Manguera de aspiración en el cabezal del cepillo
- 8 Bloqueo de la bolsa filtrante
- 9 bolsa filtrante
- 10 Desbloqueo del cabezal del cepillo
- 11 Filtro protector del motor
- 12 Carcasa del filtro
- 13 Bloqueo del filtro del guarda motor
- 14 Bloqueo de la carcasa del filtro
- 15 Filtro de escape de aire
- 16 Tornillo de fijación de la parte lateral
- 17 parte lateral
- 18 Cierre de rosca de la cubierta del cepillo
- 19 cabeza de cepillo
- 20 cepillo rotativo
- 21 Cubierta de cepillos
- 22 Penacho indicador (rojo)
- 23 Botón de ajuste altura de la alfombra
- 24 Tapa del filtro
- 25 Interruptor principal
- 26 Tubo de aspiración
- 27 Manguera de aspiración
- 28 Mango
- 29 Cable de conexión a la red

## Manejo

### Conexión del aparato

- ➔ Enchufe la clavija de red.
- ➔ Conectar el aparato con el interruptor principal.

## Servicio de limpieza

### Modo de cepillo rotativo

- ➔ Ajustar la altura de la alfombra con la rosca del cabezal del cepillo.
- ➔ Llevar a cabo la limpieza.

### Modo de tubería de aspiración

Figura 

#### **Advertencia**

*Al aspirar con la manguera evite colocar la cabeza cepilladora con el cilindro en rotación sobre moquetas de fibra larga. La moqueta de fibra larga podría estropear o destruir al cabo de un rato el cilindro rotatorio cepillante.*

### Desconexión del aparato

- ➔ Desconectar el aparato con el interruptor principal.
- ➔ Extraer el enchufe de la red.

## Transporte

### Precaución

*¡Peligro de lesiones y daños! Respetar el peso del aparato para el transporte.*

- ➔ Al transportar en vehículos, asegurar el aparato para evitar que resbale y vuelque conforme a las directrices vigentes.

## Almacenamiento

### Precaución

*¡Peligro de lesiones y daños! Respetar el peso del aparato en el almacenamiento.*

Este aparato sólo se puede almacenar en interiores.

## Cuidados y mantenimiento

### **Peligro**

*Antes de efectuar cualquier trabajo en el aparato, hay que desconectar de la red eléctrica.*

## Intervalos de mantenimiento

### diariamente

- Limpiar el cepillo rotativo

### Todas las semanas

- Comprobar el desgaste del cepillo rotativo.

**Indicación:** El grado de desgaste se puede reconocer al comparar con el penacho de indicación de otro color. Si las cerdas negras están a la misma altura que las rojas, cambiar el cepillo rotativo.

## Limpieza del cepillo rotativo

- Desmontar la cubierta del cepillo si es necesario: Girar los cierres de rosca 90° y extraer la cubierta del cepillo.
- Corte los pelos e hilos que se hayan enrollado en el cepillo rotativo con una tijera y elimínelos.

## Cambiar la bolsa

- Desbloquear y extraer la cubierta del filtro.

Figura 

- Girar el boqueo de la bolsa filtrante hacia la derecha. Cerrar la bolsa filtrante, extraer y eliminar.

Figura 

- Colocar una nueva bolsa filtrante y girar el bloqueo de la bolsa filtrante hacia la izquierda.
- Colocar y bloquear la tapa del filtro.

## Recambiar el filtro de escape de aire

- Desbloquear y extraer la cubierta del filtro.
- Presionar hacia arriba el bloqueo de la carcasa del filtro y extraerla.
- Extraer el filtro de escape de aire de la carcasa del filtro.
- Colocar el nuevo filtro de escape de aire en la carcasa del filtro.
- Introducir y encajar la carcasa del filtro.
- Colocar y bloquear la tapa del filtro.

## Cambiar el filtro protector del motor

- Desbloquear y extraer la cubierta del filtro.
- Presionar hacia arriba el bloqueo del filtro del guarda motor. Extraer y eliminar el filtro del guarda motor.
- Colocar y bloquear el nuevo filtro del guarda motor.
- Colocar y bloquear la tapa del filtro.

## Recambio del cepillo rotativo

- Desmontar la parte lateral con ayuda de una moneda.
- Extraer y eliminar el cepillo rotativo.
- Instalar nuevo cepillo rotativo.
- Montar nuevamente la parte lateral.

## Ayuda en caso de avería

### Peligro

*Antes de efectuar cualquier trabajo en el aparato, hay que desconectar de la red eléctrica.*

## Eliminar la obstrucción

### Tubería/manguera de aspiración

Figura 

### Manguera de aspiración en el cabezal del cepillo

Figura 

### Cepillo rotativo/cabezal del cepillo

Figura 

**Indicación:** Si es necesario, desmontar la cubierta del cepillo (véase "Limpieza del cepillo rotativo").

## El motor no funciona

- No hay tensión eléctrica.
  - Comprobar la clavija y el seguro del suministro de corriente.
  - Comprobar el cable y el enchufe del aparato.
  - El interruptor termostático ha apagado el motor por sobrecalentamiento.
  - Cambiar el filtro atascado o solucionar el atasco de la manguera de aspiración.
- Tras enfriar, se puede volver a usar el aparato.

## Sonido de vibración al desconectar

**Indicación:** El cepillo rotativo está equipado con un acoplamiento deslizante que se desencaja cuando se aspiran objetos demasiado grandes o que bloqueen el sistema.

**Indicación:** El acoplamiento se encaja tras la desconexión del aparato, al hacerlo se produce un sonido alto y vibrante.

- Comprobar si el cepillo rotativo presenta objetos que lo bloqueen y si es así eliminarlos.

Cuando se conecte de nuevo el aparato, no volverá a sonar el ruido.

## Resultado de aspiración no satisfactorio

- Comprobar si el cepillo rotativo presenta objetos que lo bloqueen y si es así eliminarlos.
- Eliminar las obstrucciones del cabezal del cepillo, el tubo o manguera de aspiración.
- Cambiar la bolsa filtrante
- Cambiar el filtro de aire de escape o el filtro del guarda motor.
- Comprobar que el botón de ajuste de altura de alfombra tenga el ajuste correcto.
- Sustituir el cepillo rotativo.

## El piloto de control rojo se enciende

- Eliminar las obstrucciones del cabezal del cepillo, el tubo o manguera de aspiración.
- Cambiar la bolsa filtrante


## Garantía

En todos los países rigen las condiciones de garantía establecidas por nuestra empresa distribuidora. Las averías del aparato serán subsanadas gratuitamente dentro del periodo de garantía, siempre que se deban a defectos de material o de fabricación. En un caso de garantía, le rogamos que se dirija con el comprobante de compra al distribuidor donde adquirió el aparato o al servicio al cliente autorizado más próximo a su domicilio.

## Accesorios y piezas de repuesto

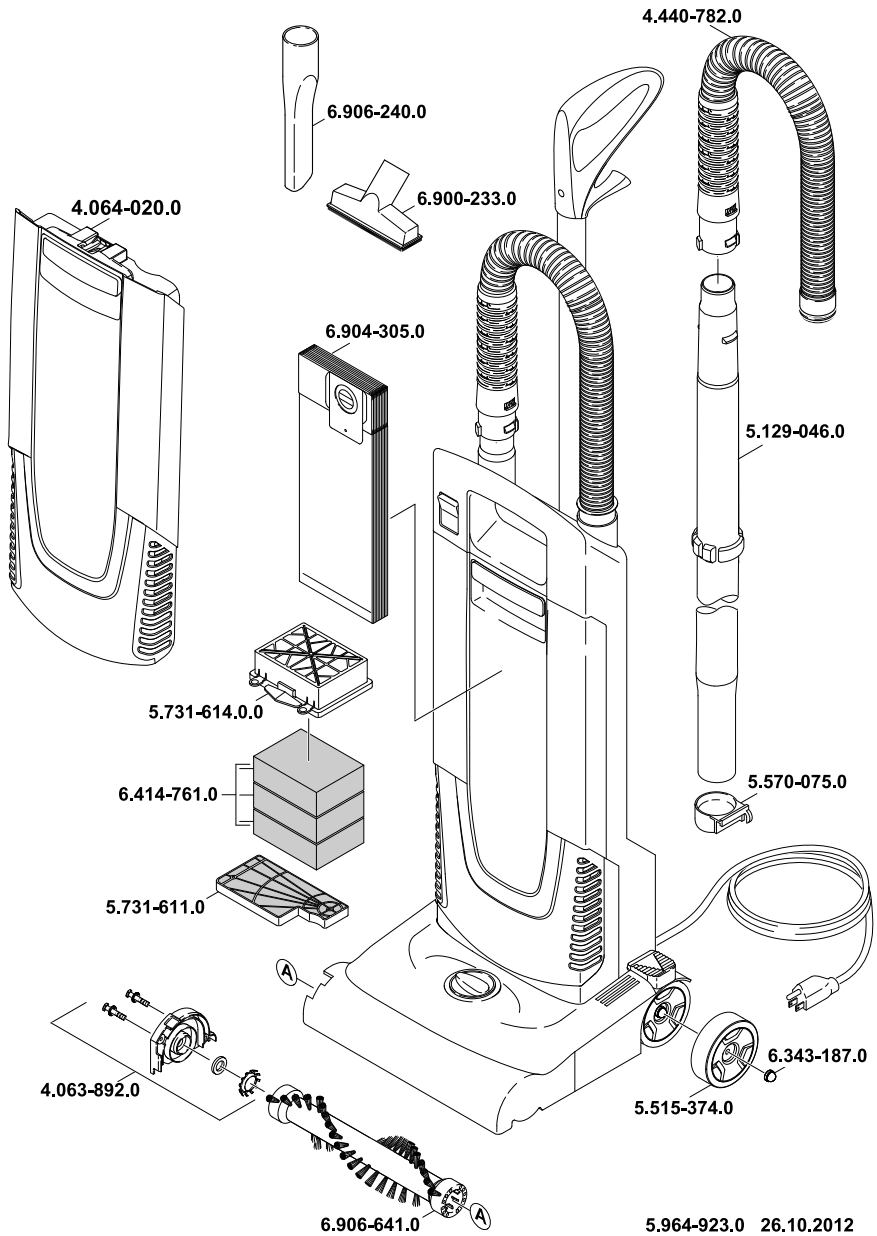
- Sólo deben emplearse accesorios y piezas de repuesto originales o autorizados por el fabricante. Los accesorios y piezas de repuesto originales garantizan el funcionamiento seguro y sin averías del aparato.
- Podrá encontrar una selección de las piezas de repuesto usadas con más frecuencia al final de las instrucciones de uso.
- En el área de servicios de [www.kaercher.com](http://www.kaercher.com) encontrará más información sobre piezas de repuesto.

## Datos técnicos

		CV 30/1	CV 38/1
Tensión de red	V	120	120
Frecuencia	Hz	1~ 60	1~ 60
Corriente nominal	A	9	9
Cantidad de aire (máx.)	CFM (l/s)	102 (48)	102 (48)
Depresión (máx.)	mm (kPa)	2140 (21.0)	2140 (21.0)
Clase de protección		II	II
Longitud x anchura x altura	in (mm)	48.0 x 12.0 x 12.5 (1220 x 310 x 320)	48.0 x 15.5 x 12.5 (1220 x 390 x 320)
Ancho del cepillo rotativo	in (mm)	12.0 (300)	15.0 (380)
Peso de funcionamiento típico	lbs (kg)	19.6 (8.9)	20.3 (9.2)
Temperatura ambiente (máx.)	°F (°C)	104 (+40)	104 (+40)
<b>Valores calculados conforme a la norma EN 60335-2-69</b>			
Nivel de presión acústica $L_{pA}$	dB(A)	67	67
Inseguridad $K_{pA}$	dB(A)	1	1

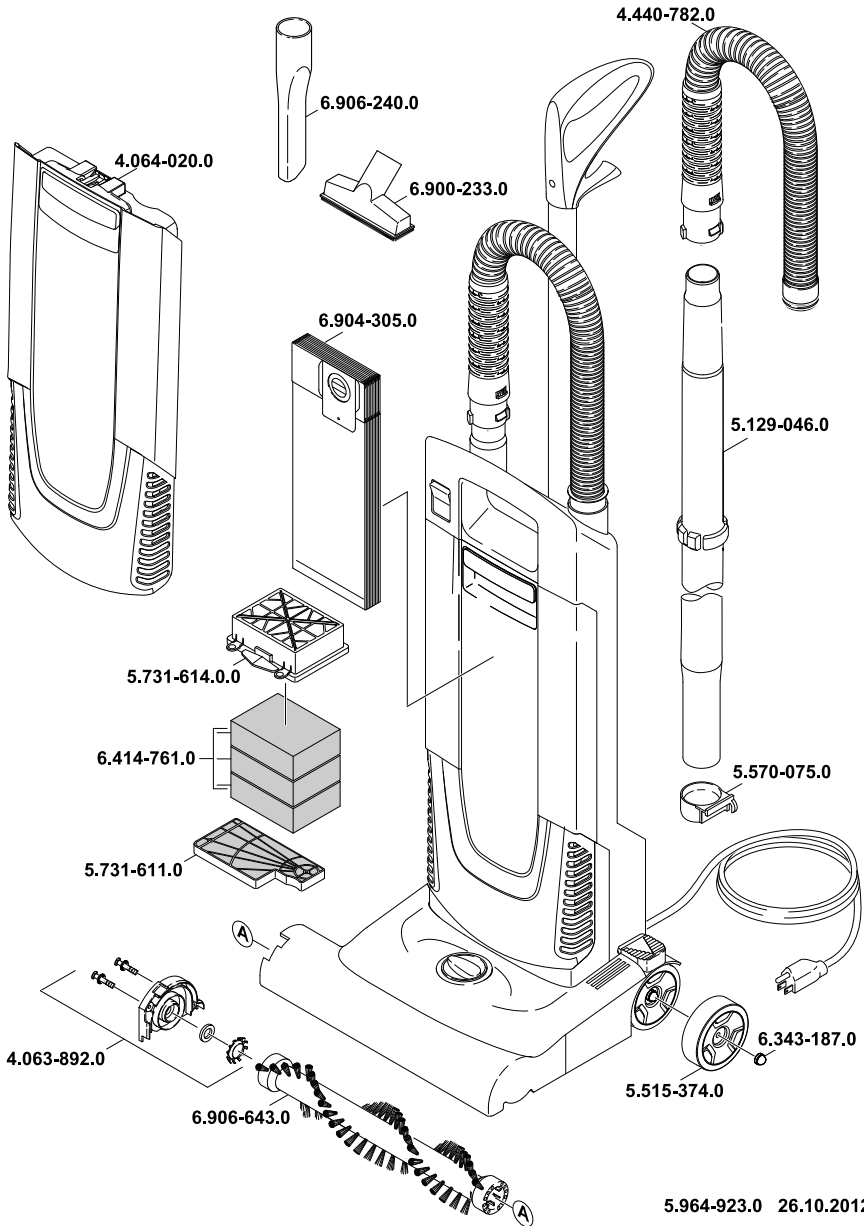
Cable de conexión a la red	SJT 3x18 AWG	
	No. de pieza	Longitud del cable
USA	4.649-026.0	39.5 ft (12 m)

# CV 30/1



5.964-923.0 26.10.2012

# CV 38/1



5.964-923.0 26.10.2012



- AE** Kärcher FZE, P.O. Box 17416, Jebel Ali Free Zone (South), Dubai, United Arab Emirates,  
☎+971 4 886-1177, www.kaercher.com
- AR** Kärcher S.A., Uruguay 2887 (1646) San Fernando, Pcia. de Buenos Aires  
☎+54-11 4506 3343, www.karcher.com.ar
- AT** Alfred Kärcher Ges.m.b.H., Lichtblaustraße 7, 1220 Wien,  
☎+43-1-25060-0, www.kaercher.at
- AU** Kärcher Pty. Ltd., 40 Koornang Road, Scoresby VIC 3179, Victoria,  
☎+61-3-9765-2300, www.karcher.com.au
- BE** Kärcher N.V., Industrieweg 12, 2320 Hoogstraten,  
☎+32-3-340 07 11, www.karcher.be
- BR** Kärcher Indústria e Comércio Ltda., Av. Professor Benedito Montenegro no 419, Betel, Paulínia - Estado de Sao Paulo, CEP 13.140-000  
☎+55-19-3884-9100, www.karcher.com.br
- CA** Kärcher Canada Inc., 6535 Millcreek Road, Unit 67, Mississauga, ON, L5N 2M2,  
☎+1-905-672-8233, www.karcher.ca
- CH** Kärcher AG, Industriestrasse, 8108 Dällikon, Kärcher SA, Croix du Péage, 1029 Villars-Ste-Croix,  
☎0844 850 864, www.kaercher.ch
- CN** Kärcher (Shanghai) Cleaning Systems, Co., Ltd., Part F, 2nd Floor, Building 17, No. 33, XI YA Road, Waigaoqiao Free Trade, Pudong, Shanghai, 200131  
☎+86-21 5076 8018, www.karcher.cn
- CZ** Kärcher spol. s r.o., Modletice c.p. 141, CZ-251 01 Ricany,  
☎+420/323/606 014, www.kaercher.cz
- DE** Alfred Kärcher Vertriebs-GmbH, Friedrich-List-Straße 4, 71364 Winnenden,  
☎+49-7195/903-0, www.kaercher.de
- DK** Kärcher Rengøringsystemer A/S, Helge Nielsens Alle 7A, 8723 Lösning,  
☎+45-70206667, www.karcher.dk
- ES** Kärcher, S.A., Pol. Industrial Font del Radium, Calle Josep Trueta, 6-7, 08403 Granollers (Barcelona),  
☎+34-902 17 00 68, www.karcher.es
- F** Kärcher S.A.S., Z.A. des Petits Carreaux, 5, avenue des Coquelicots, 94865 Bonneuil-sur-Marne,  
☎+33-1-4399-6770, www.karcher.fr
- FI** Kärcher OY, Yrittäjätie 17, 01800 Klaukkala,  
☎+358-207 413 600, www.karcher.fi
- GB** Kärcher (U.K.) Ltd., Kärcher House, Beaumont Road, Banbury, Oxon OX16 1TB,  
☎+44-1295-752-000, www.karcher.co.uk
- GR** Kärcher Cleaning Systems A.E., 31-33, Nikitara str. & Konstantinoupoleos str., 136 71 Athènes,  
☎+30-210-2316-153, www.karcher.gr
- HK** Kärcher Limited, Unit 10, 17/F., Apec Plaza, 49 Hoi Yuen Road, Kwun Tong, Kowloon,  
☎++(852)-2357-5863, www.karcher.com.hk
- HU** Kärcher Hungaria KFT, Tormásrét út 2., (Vendelpark), 2051 Biatorbagy,  
☎+36-23-530-64-0, www.kaercher.hu
- I** Kärcher S.p.A., Via A. Vespucci 19, 21013 Gallarate (VA),  
☎+39-848-998877, www.karcher.it
- IE** Kärcher Limited (Ireland), C1 Centrepoint Business Park, Oak Road, Dublin 12,  
☎(01) 409 7777, www.kaercher.ie
- JP** Kärcher (Japan) Co., Ltd., Irene Kärcher Building, No. 2, Matsusaka-Daira 3-chome, Taiwa-cho, Kurokawa-gun, Miyagi 981-3408,  
☎+81-22-344-3140, www.karcher.co.jp
- KR** Kärcher (Korea) Co. Ltd., 162 Gukhoe-daero, (872-2 Sinjeong-Dong), Seoul, Korea  
☎02-322 6588, A/S. 1544-6577, www.karcher.co.kr
- LV** Kärcher SIA, Mārupes nov., Mārupe, Kārļa Ulmaņa gatve 101, Rīga, LV-1046  
☎+371-67 80 87 07
- MX** Kärcher México, SA de CV, Av. Gustavo Baz No. 29-C, Col. Naucalpan Centro, Naucalpan, Edo. de México, C.P. 53000 México,  
☎+52-55-5357-04-28, www.karcher.com.mx
- MY** Kärcher Cleaning Systems Sdn. Bhd., 71 & 73 Jalan TPK 2/8, Taman Perindustrian Kinrara, Seksyen 2, 47100 Puchong, Selangor Darul Ehsan, Malaysia,  
☎+603 8073 3000, www.karcher.com.my
- NL** Kärcher B.V., Postbus 474, 4870 AL Etten-Leur,  
☎0900-33 666 33, www.karcher.nl
- NO** Kärcher AS, Stanseveien 31, 0976 Oslo, Norway,  
☎+47 815 20 600, www.karcher.no
- NZ** Kärcher Limited, 12 Ron Driver Place, East Tamaki, Auckland, New Zealand,  
☎+64 (9) 274-4603, www.karcher.co.nz
- PL** Kärcher Sp. z o.o., Ul. Stawowa 140, 31-346 Kraków,  
☎+48-12-6397-222, www.karcher.pl
- RO** Kärcher Romania srl, Sos. Odaii 439, Sector 1, RO-013606 BUKAREST,  
☎+40 37 2709001, www.kaercher.ro
- RU** Kärcher Ltd. Service Center, Москва, ул. Б.Почтовая, д. 40  
☎+7-495 789 90 76, www.karcher.ru
- SE** Kärcher AB, Tagenevägen 31, 42502 Hisings-Kärra,  
☎+46 (0)31-577 300, www.karcher.se
- SGP** Kärcher South East Asia Pte. Ltd., 5 Toh Guan Road East, #01-00 Freight Links Express Distripark, Singapore 608831,  
☎+65-6897-1811, www.karcher.com.sg
- SK** Kärcher Slovakia, s.r.o., Beniaková 2, SK-94901 NITRA,  
☎+421 37 6555 798, www.kaercher.sk
- TR** Kärcher Servis Ticaret A.S., Mahmutbey Mahallesi İstoç, Petrol Plaza C-Blok Kat: 2-3, Bağcılar, 34218 Istanbul  
☎+90-212-659-43 69, www.karcher.com.tr
- TW** Kärcher Limited, 7/F, No. 66, Jhongjijheng Rd., Sinjhuang City, Taipei County 24243, Taiwan,  
☎+886-2-2991-5533, +886-800-666-825, www.karcher.com.tw
- UA** Kärcher Ltd., Petropavlivska Str., 4, Petropavlivska Borschagivka, Kyiv region, 08130,  
☎+380 44 594 7576, www.karcher.com.ua
- USA** To locate your local dealer please visit our web site at <http://www.karchercommercial.com> or call us at 888.805.9852
- ZA** Kärcher (Pty) Ltd., 144 Kuschke Street, Meadowdale, Edenvale, 1614,  
☎+27-11-574-5360, www.karcher.co.za