



# H SERIES HEAVY DUTY CLUTCH PUMP

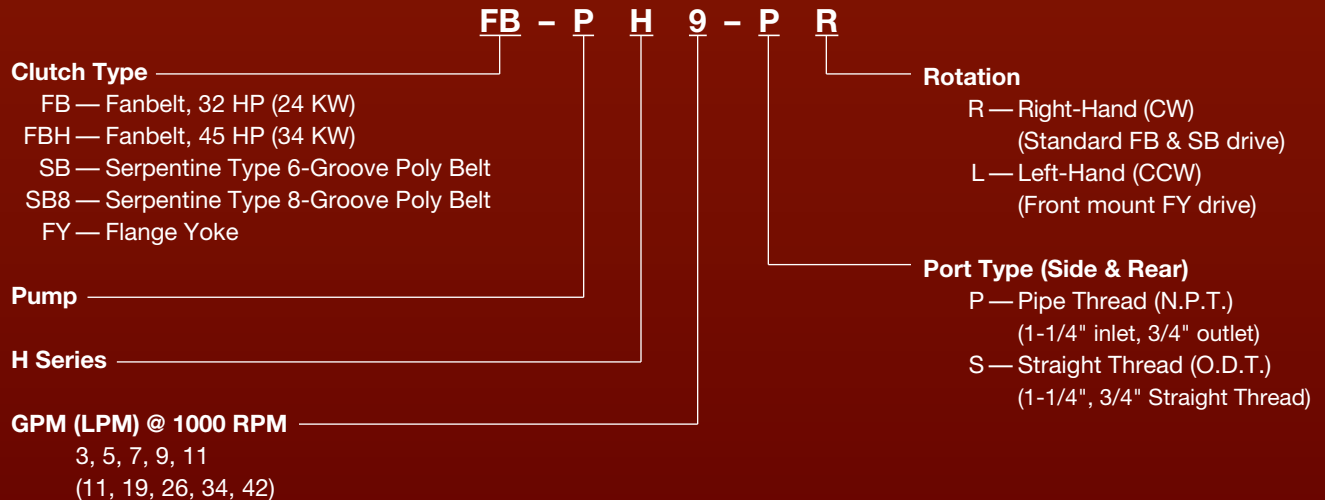
## PUMP FEATURES

- ALL CAST IRON CONSTRUCTION
- SPEEDS TO 4000 RPM
- PRESSURES TO 3500 PSI
- SOLID ONE PIECE SHAFT
- INTEGRAL MOUNTING PAD
- BOTH SIDE AND REAR PORTS
- ROCKER SWITCH WITH LIGHT, WIRING AND VEHICLE PROTECTION HARNESS KIT INCLUDED
- HEAVY DUTY CLUTCHES
  - \*32 HP/92 FT.LBS. (STANDARD)
  - 45 HP/130 FT.LBS. (OPTIONAL)
  - 70 HP/200 FT.LBS. (FLANGE YOKE)
- FULL ONE YEAR WARRANTY



Optional Engine Mounting Kit Available.  
Brochure MP87-01

## MODEL NUMBER CONSTRUCTION



# CLUTCH PUMP SPECIFICATIONS

MODEL NO.	DISPL. CU IN (CC)	MAX RPM	MIN RPM	FB/SB MAX PSI (BAR)	FBH*/FY MAX PSI (BAR)	MAX OIL TEMP.	MAX INLET VACUUM
PH3	0.62 (10)	4000	800	3500 (241)	3500 (241)	200°F (93°C)	5 IN. HG. (.17 BAR)
PH5	1.24 (20)	4000	800	3500 (241)	3500 (241)	200°F (93°C)	5 IN. HG. (.17 BAR)
PH7	1.55 (25)	3600	800	3000 (207)	3500 (241)	200°F (93°C)	5 IN. HG. (.17 BAR)
PH9	2.17 (36)	3000	800	2600 (179)	2900 (200)	200°F (93°C)	5 IN. HG. (.17 BAR)
PH11	2.48 (41)	3000	800	2000 (138)	2500 (172)	200°F (93°C)	5 IN. HG. (.17 BAR)

\*Belt horsepower limitations may result in belt slippage @ rated HP even though high torque clutch can carry the pressure. *NOTE: Never use Teflon Tape on ports.*

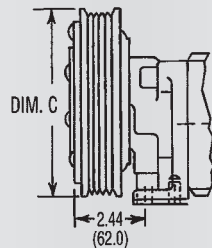
# CLUTCH PUMP OUTPUT FLOW RATE

MODEL	1000 RPM	1500 RPM	2000 RPM	2500 RPM	3000 RPM
PH3	2.25 (9)	3.5 (13)	5.0 (19)	6.5 (25)	7.5 (28)
PH5	4.5 (17)	7.3 (28)	10.1 (38)	12.5 (47)	15.5 (59)
PH7	5.4 (20)	9.1 (34)	12.4 (47)	15.7 (59)	19.0 (72)
PH9	7.6 (29)	12.8 (48)	17.4 (66)	22.0 (83)	26.6 (101)
PH11*	8.9 (34)	14.0 (53)	20.5 (78)	25.0 (95)	30.5 (115)

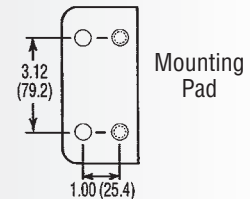
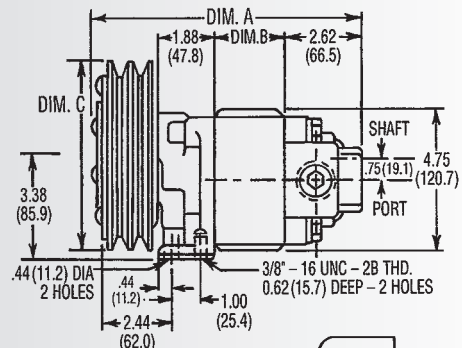
Flow Rate Tested at 2500 PSI (172 BAR), Measured in GPM (LPM). \*Model PH11 Tested at 2000 PSI (138 BAR)

**FB & SB** [32 HP (24 KW) • 95 FT.-LBS. (129 NM)]  
**FBH** [45 HP (34 KW) • 130 FT.-LBS. (176 NM)]

MODEL NO.	DIM A IN (MM)	DIM B IN (MM)
PH3	7.4 (188.0)	0.90 (22.9)
PH5	7.9 (200.7)	1.40 (35.6)
PH7	8.2 (208.3)	1.65 (41.9)
PH9	8.6 (218.4)	2.15 (54.6)
PH11	8.9 (226.1)	2.40 (61.0)



Optional 6 & 8-Groove  
Class K-Poly V Belt



Dim. C: 5.47 in. (138.9 mm) for SB8  
 6.00 in. (152.4 mm) for FB & SB  
 7.38 in. (187.5 mm) for FBH

Approx. Shipping Weights: 34 Lbs. (15.4 Kg) for FB & SB  
 38 Lbs. (17.2 Kg) for FBH

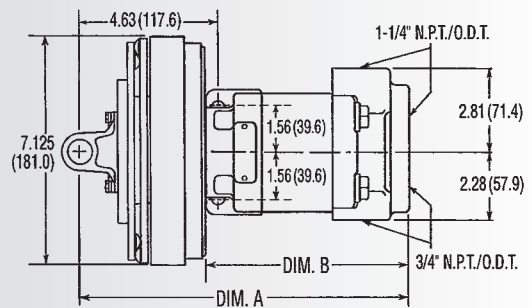
*NOTE: Basic pump dimensions for all models are the same no matter which clutch is installed.  
 Clutches require 6 Amps @ 12-VDC. Minimum 11.5-V required at clutch.*

**FY** [70 HP (52 KW) • 200 FT.-LBS. (271 NM)]

MODEL NO.	DIM A IN (MM)	DIM B IN (MM)
PH3	9.9 (251.5)	5.40 (137.2)
PH5	10.4 (264.2)	5.90 (149.9)
PH7	10.6 (269.2)	6.15 (156.2)
PH9	11.1 (281.9)	6.65 (168.9)
PH11	11.4 (289.6)	6.90 (175.3)

Approx. Shipping Weight:  
 56 Lbs. (25.4 Kg)  
 Manual Override Standard

*Clutches require 6 Amps @  
 12-VDC. Minimum 11.5-V  
 required at clutch.*



MP88-06 (Rev. 10-07) Printed in the U.S.A.  
 © Muncie Power Products, Inc. 2007

**Muncie Power Products, Inc.** Member of the Interpump Hydraulics Group  
 General Offices and Distribution Center • P.O. Box 548 • Muncie, IN 47308-0548  
 (765) 284-7721 • FAX (765) 284-6991 • E-mail info@munciepower.com  
 Web site <http://www.munciepower.com>

Drive Products, Exclusive Agents for Canada, ISO Certified by an Accredited Registrar

