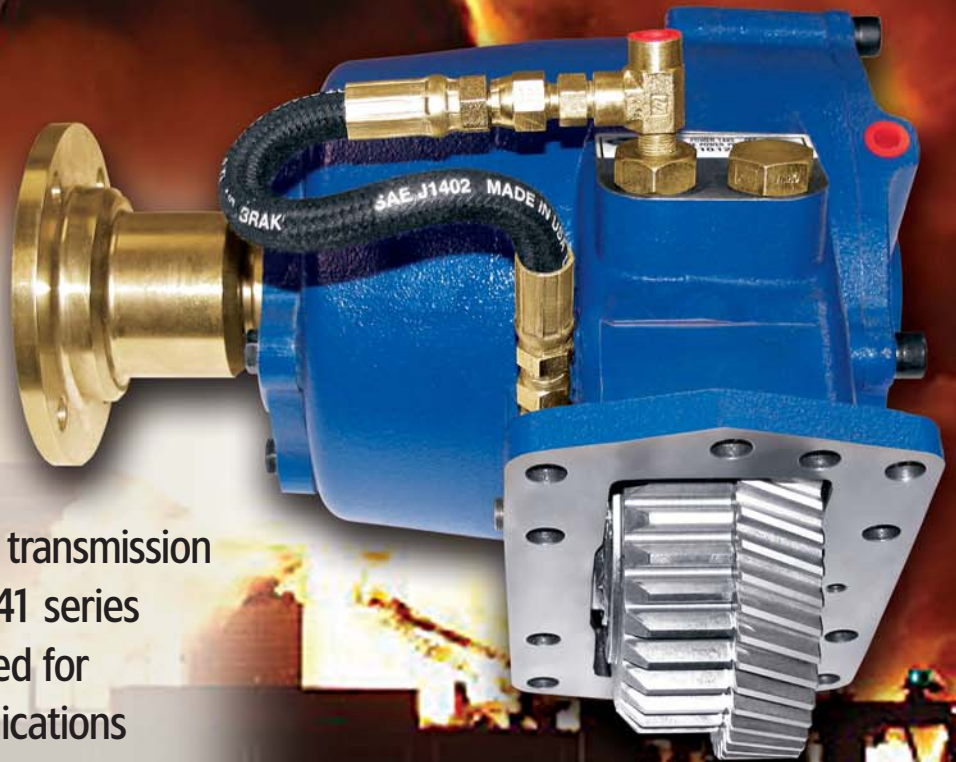


CS41 & CD40 SERIES PTOs

FOR ALLISON WORLD TRANSMISSIONS

Get the maximum PTO output

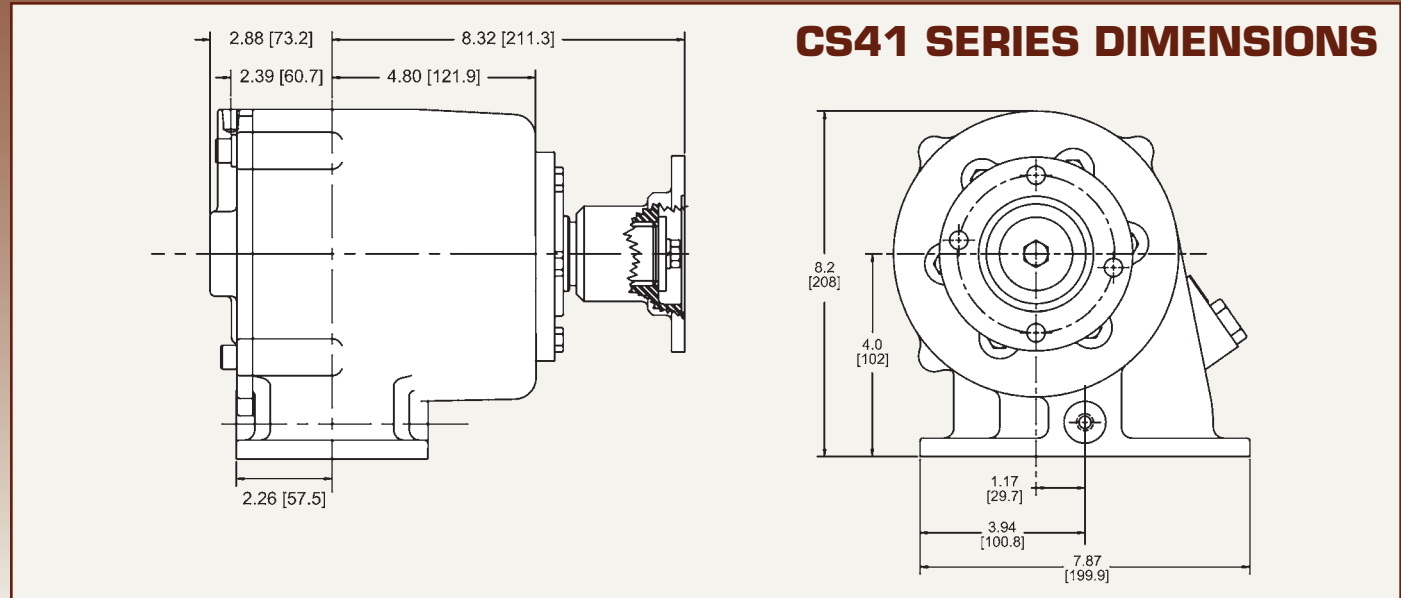
from your Allison World transmission by using the Muncie CS41 series PTO. This PTO is designed for intermittent torque applications up to 600 Ft-Lbs and built in a compact, robust housing design for most chassis applications. PTO gears are manufactured for maximum load and quiet operation. The CS41 is available in direct mount hydraulic or remote driveline output shaft versions. The CD40 is built with the same gear and housing designs and is used when PTO disengagement is not required, making this series of PTOs a specified unit for typical applications like fire pump equipment, large cranes, and road construction equipment.



PRODUCT FEATURES

- Highest Output Torque Rating available (Up To 600 Lb.Ft.)
- Large Idler Shaft And Input Bearings
- Three Internal Ratios Available
- CS41 Remotely Mounted Solenoid For Greater Clearance To Chassis Components
- 1410 Output Drive Line Flange, SAE-C Hydraulic and DIN 5462 Hydraulic Output Options
- CD40 is a Constant Drive version





MD/3000 SERIES - ALLI-5

MODEL	%	ROT	TORQ-INT	TORQ-CONT
CS41-A1007-H*CX	100%	CRNK	510 FT-LBS ⁽¹⁾	420 Cont
CS41-A1010-H*CX	144%	CRNK	335 FT-LBS ⁽¹⁾	335 Cont
CS41-A1012-H*CX	163%	CRNK	298 FT-LBS ⁽¹⁾	298 Cont

MD/3000 SERIES, TOP OPENING - ALLI-10

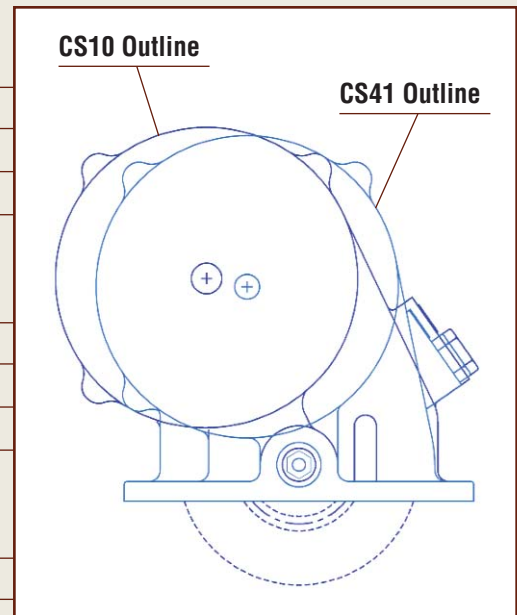
MODEL	%	ROT	TORQ-INT	TORQ-CONT
CS41-A1007-H*CX	122%	CRNK	600 FT-LBS	420 Cont
CS41-A1010-H*CX	175%	CRNK	447 FT-LBS ⁽¹⁾	381 Cont
CS41-A1012-H*CX	200%	CRNK	376 FT-LBS ⁽¹⁾	343 Cont

HD/4000 SERIES - ALLI-6

MODEL	%	ROT	TORQ-INT	TORQ-CONT
CS41-A1007-H*CX	144%	CRNK	453 FT-LBS ⁽¹⁾	420 Cont

-- Internal Interference on 10 and 12 ratio

CS41 does not have built in solenoid for added clearance. Remote mounted solenoid valve and installation kit is included.



CD40 AVAILABLE IN 07 OR 12 RATIO ONLY. CONSTANT DRIVE

Same Output Speed And Torque Ratings As The CS41

Part Number Configuration: CD40-A10** -M*CX

(1) Torque Rating shown is based on Maximum available torque rating of Allison transmission gear

The Muncie CS41 has a remote activation solenoid and can mount in the tight envelope applications as found in today's vehicles.

The over-all profile of the CS41 is smaller than the CS10 PTO.

CD40 dimensions are the same as the CS41.



MP05-03 Printed in the U.S.A.
© Muncie Power Products, Inc. 2005

Muncie Power Products, Inc. Member of the Interpump Hydraulics Group
General Offices and Distribution Center • P.O. Box 548 • Muncie, IN 47308-0548
(765) 284-7721 • FAX (765) 284-6991 • E-mail info@munciepower.com
Web site <http://www.munciepower.com>

Drive Products, Inc., Toronto, Exclusive Agents for Canada, ISO Certified by an Accredited Registrar

