



WHEELED AIR COMPRESSOR

AC658HB
AC708RB
AC908HB
AC908HB2
AC6520HB

User Manual

BEPOWEREQUIPMENT

.COM



TABLE OF CONTENTS

Introduction

4 Using the Operators Manual

Product Identification

5 Record Identification Numbers

Safety

6 Safety Instructions

7 Safety Rules

7 Hazard Symbols and Meanings

10 General Safety Information

Safety & Installation

11 Spraying Precautions

11 Hose Precautions

11 Installation and Location

11 Extension Cords

Assembly Instructions

12 Assembly

Product Features

13 Automatic ON/OFF

13 Regulator

13 Tank Pressure Gauge

13 Safety Valve

13 Tank Drain Fitting

13 Safety Guard



Operating Instructions

- 14 Initial Start Up
- 14 Start Up
- 14 Storage
- 14 Shut Down

Maintenance

- 15 When performing maintenance or service
- 15 Daily
- 15 Weekly
- 15 Monthly
- 15 Six Months or 250 Operating Hours
- 15 Oil Change

Troubleshooting

- 16 Troubleshooting Chart

Parts

- 17 AC708RB/AC658HB/AC908HB Parts Diagram and List
- 18 AC6520HB Parts
- 20 AC908HB2 Diagram & Parts List
- 23 AC708RB/AC658HB/AC6520HB Pump & Parts List
- 24 AC908HB Pump & Parts List
- 26 AC908HB2 Pump & Parts List

Warranty

- 28 Warranty Statement



Attention: Read through the complete manual prior to the initial use of your compressor.

Using the Operator's Manual

This manual gives information with respect to operation and maintenance of the Compressor. Be sure to read it carefully first before operation.

Following the manual can ensure the user's safety and get the best results from the compressor. All information and diagrams in this manual are in accordance with the newest products at the publishing time.

We strive for accuracy and this manual is accurate for the models described at the time of printing. We reserve the right to make improvements or changes at any time without notice or obligation.

Please keep this manual with the engine permanently, even if the engine ownership is transferred.

Congratulations on your purchase of a BE Power Equipment air compressor. You can be confident that this machine is constructed and tested with optimum performance and quality in mind.

Reading this manual will help get you the best results for set-up, operation, maintenance and avoid personal injury or damage to your machine. By knowing how best to operate this machine, you will be better positioned to show others who may also operate the unit.

All the information in this manual is based on the latest product information available at the time of printing. BE Power Equipment reserves the right to make changes at any time without notice or incurring any obligation.

Owner/Operator Responsibility

The owner/operator must have a thorough understanding of the operation, maintenance and dangers associated with using this machine. It must be understood that it is ultimately up to the owner/operator to safely use this machine as outlined in this manual.

This manual is considered a part of the machine and needs to be kept in a safe location. If the machine is resold or given to someone else, this manual needs to be included.

Product Registration

Please register your product online to get the maximum benefit from your warranty. Use the QR code below or register online at: bepowerequipment.com/product-registration



It is recommended that you record the product identification numbers in this manual. These numbers are important to have on hand if you need to contact technical support (1-866-850-6662). The model and serial number can be found on the box and on decal on the machine.

PRODUCT IDENTIFICATION

Model Number: _____

Serial Number: _____

Date of Purchase: _____

Dealer Name: _____



SAFETY

Safety Instructions


- Carefully read through the entire owners manual before operating this compressor.
- Keep manual with important records for safety instructions, operating procedures and warranty.
- After unpacking your new air compressor, please inspect it carefully for any damage that may have occurred during transit.
- Do not operate this air compressor if damaged during shipment, handling or misuse.
- Damage may result in bursting, which can cause serious injury or property damage.
- All damaged parts must be repaired or replaced as needed prior to operating this air compressor.
- Check to see that all nuts, bolts and fittings are secure.
- Check to see that the proper lubrication oil, which has been included with the air compressor, is used to fill the compressor crankcase to the proper level.
- Please contact our customer service department at the numbers listed on the back of this instruction manual for any questions or comments regarding this air compressor.

Save these Instructions

SAFETY RULES



This is the safety alert symbol. It is used to alert you to potential personal injury hazards. Obey all safety messages that follow this symbol to avoid possible injury or death.

The safety alert symbol () is used with a signal word (DANGER, CAUTION, WARNING), a pictorial and/or a safety message to alert you to hazards.

DANGER indicates a hazard which, if not avoided, will result in death or serious injury.

WARNING indicates a hazard which, if not avoided, could result in death or serious injury.

CAUTION indicates a hazard which, if not avoided, might result in minor or moderate injury.

NOTICE indicates a situation that could result in equipment damage. Follow safety messages to avoid or reduce the risk of injury or death.

HAZARD SYMBOLS AND MEANINGS



EXPLOSION



FIRE



ELECTRIC SHOCK



TOXIC FUMES



KICKBACK



HOT SURFACE



WEAR EYE PROTECTION



SLIPPERY



FALL



FLUID INJECTION



MOVING PARTS



READ MANUAL

WARNING



AIR TANK WARNING: Drain liquid from air tank daily, or after each use, using the drain valve located on the bottom of the lower air tank. Failure to properly drain liquid from the tank will cause rust from moisture buildup, which weakens the tank and could lead to a violent tank explosion. Periodically inspect the tanks for unsafe conditions such as corrosion.

Never attempt to repair or make modifications to the tank or its attachments. Welding, drilling or any other modifications may weaken the tank, which may result in damage from rupture or explosion. Never remove or attempt to adjust the pressure switch, safety valve, or other factory set operating pressures.

WARNING



FIRE WARNING: Avoid dangerous environments. Do not use compressor near gasoline or other flammable materials. Keep work area well lit. Normal sparking of a motor or sparking from grinding metal could ignite fumes. Do not spray flammable materials in the vicinity of an open flame or other ignition source, including the air compressor itself. Do not direct paint or other spray material towards the compressor.

Read and follow all safety instructions for the material you are spraying. Be sure to use an approved respirator designed for use with your specific application.

WARNING



BREATHABLE AIR WARNING: This air compressor is not designed, nor intended for the supply of breathable quality air. Air produced by this unit may contain carbon monoxide or other toxic vapors.

Do not inhale air from the compressor or from a breathing device connected to it.

**WARNING**

AIR TOOLS AND ACCESSORIES WARNING: Do not exceed the pressure rating of any air tools, spray guns, air accessories, or inflatables. Excess pressure can cause them to explode, resulting in serious injury. Follow the manufacturers recommended pressure settings for all air tools and air accessories.

**WARNING**

Do not direct compressed air stream at people or pets. The powerful compressed air stream can damage exposed skin and easily propel loose dirt and other small objects. Always wear eye protection that meets ANSI Z28.1 specifications.

**WARNING**

Keep hands and fingers away from exposed metal parts on a running air compressor. Air compressors generate significant heat during normal operation, which can cause serious burns. The compressor will remain hot for some time after operation and should not be touched or moved until cool.

**WARNING**

ADVERTENCIA • AVERTISSEMENT

Cancer and Reproductive Harm
 Cáncer y Daño Reproductivo
 Cancer et dommages à la reproduction
www.P65Warnings.ca.gov

GENERAL SAFETY INFORMATION

Do not operate unit if damaged during shipping, handling or use. Damage may result in bursting and cause injury or property damage. Since the air compressor and other components (filters, lubricators, hoses, etc.) used, make up a high pressure pumping system, the following safety precautions must be observed at all times:

1. Read all manuals included with this product carefully. Be thoroughly familiar with the controls and the proper use of the equipment.
2. Follow all local electrical and safety codes
3. Only persons well acquainted with these rules of safe operation should be allowed to use the compressor.
4. Keep visitors away and NEVER allow children in the work area.
5. Wear safety glasses and use hearing protection when operating the pump or unit.
6. Do not stand on or use the pump or unit as a handhold.
7. Before each use, inspect compressed air system and electrical components for signs of damage, deterioration, weakness or leakage. Repair or replace defective items before using.

WARNING





Compressor parts may be hot even if the unit is stopped. Wait for at least 5 minutes after shutting the unit down before moving the unit.

8. Check all fasteners at frequent intervals for proper tightness.
9. Keep fingers away from a running compressor; fast moving and hot parts will cause injury and/or burns.
10. If the equipment should start to abnormally vibrate, STOP the engine/motor and check immediately for the cause. Vibration is generally a warning of trouble.
11. To reduce fire hazard, keep engine/motor exterior free of oil, solvent, or excessive grease. Never remove or attempt to adjust safety valve. Keep safety valve free from paint and other accumulations.
12. Never attempt to repair or modify a tank! Welding, drilling or any other modification will weaken the tank resulting in damage from rupture or explosion. Always replace worn or damaged tanks. Drain liquid from tank daily.
13. Tanks rust from moisture build-up, which weakens the tank. Make sure to drain tank daily and inspect periodically for unsafe conditions such as rust formation and corrosion.

- Fast moving air will stir up dust and debris which may be harmful. Release air slowly when draining moisture or depressurizing the compressor system.

SPRAYING PRECAUTIONS

- Do not smoke when spraying paint, insecticides, or other flammable substances.
- Use a face mask/respirator when spraying and spray in a well ventilated area to prevent health and fire hazards.
- Do not direct paint or other sprayed material at the compressor. Locate compressor as far away from the spraying area as possible

 WARNING	
	Do not spray flammable materials in vicinity of open flame or near ignition sources including the compressor unit.

to minimize overspray accumulation on the compressor.

- When spraying or cleaning with solvents or toxic chemicals, follow the instructions provided by the chemical manufacturer.

HOSE PRECAUTIONS

- Inspect hose before use. Do not exceed working pressure marked on hose. Do not twist, bend knot, or abrade hose. Do not wrap hose around body.
- Keep away from hot surfaces and chemicals.

Installation

INSTALLATION AND LOCATION

The compressor must be used on a stable level surface. The air compressor must be used in a clean and well-ventilated area. The compressor requires an unobstructed airflow and must be located a minimum of 18 inches from any walls or other obstructions.

Extension Cord Length	Wire Size (A.W.C.)
Up to 25 Feet	14
26 to 50 Feet	12
51 to 100 Feet	10

Assembly

Read all safety instructions before using air compressor.

WARNING

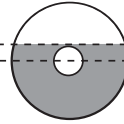


The compressor is shipped without oil in the crankcase. Add oil as indicated below.

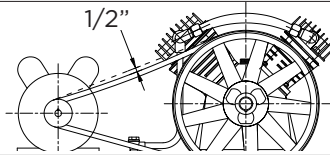
Check Oil
Level Daily

Oil Level OK

Refill Oil
Immediately



1. After opening the carton, please remove all parts and check against photograph on carton. If any parts are missing, please call 1-800-663-8331.
2. Place air compressor on a flat, level surface.
3. Pour supplied oil into crankcase until the oil level reaches the red dot in the oil level sight glass. Be careful not to overfill.



4. Adjust tension of belt to ensure that a maximum of 1/2" / 12mm of slack exists when pressure is placed on belt at centre line.
5. **NOTE:** If the belt is installed too tightly, overloading of the motor will occur. This will cause the motor to overheat. If the belt is installed too loosely, it will slip and unstable operation and vibration will occur. **Caution** - The rotating direction for the flywheel must follow the arrow shown on the belt guard.
6. Close tank drain valve on the bottom of the air tank by turning the valve clockwise until fully closed.
7. Attach the air coupler to the compressor regulator valve. Use Teflon thread-sealing tape on the threads to make sure you have an airtight connection. Do not over tighten fittings.
8. Attach the supplied air filter to the air intake port on the pump head.
9. Attach air hose and any desired air accessories (which are not included). Use Teflon thread-sealing tape on the threads to make sure you have an airtight connection. Do not over-tighten fittings.

NOTICE

Do not operate the compressor without lubricant or with low lubricant level. We are not responsible for damage caused to the compressor due to operation without proper lubrication.

Product Features

1. Automatic ON/OFF Pressure Switch

The compressor is equipped with an automatic on/off pressure switch. The compressor will only run when the switch is in the "I"(ON) position. Once the tank has reached the desired preset pressure (see Operation Instructions), the pump will automatically shut off. While the switch is in the "I"(ON) position, the pump will automatically turn back on once the pressure in the tank drops below the minimum preset pressure. Do not leave the compressor unattended while the power switch is in the "I"(ON) position.

2. Regulator

The regulator allows you to select the amount of air pressure that is output through the air hose into tools and accessories. Refer to the air delivery requirements of your tools for the proper pressure settings.

3. Tank Pressure Gauge

The tank pressure gauge provides a reading of the air pressure inside of the compressor tank.

4. Safety Valve

This compressor is equipped with a safety valve switch that will engage when the pressure in the tank exceeds the maximum rated pressure. DO NOT attempt to modify or remove safety valve.

5. Tank Drain Fitting

Water is produced whenever air is compressed. It is critical to drain water from the air tank on this compressor frequently. If unit is used only occasionally, tank should be drained after each use and prior to the next use. To drain the tank, slowly open the tank drain fitting by turning clockwise. Once all water has drained out, close the fitting securely. **NOTE:** tank will not pressurize while fitting is open.

6. Safety Guard

The belt drive mechanism is protected by a metal guard. Do not attempt to modify or remove this safety guard.

Operating Instructions

Initial Start Up

1. Disconnect tools and/or accessories from the air hose.
2. Open the tank drain valve to allow air to escape preventing air pressure buildup in the air tank.
3. Check to see that the belt is installed properly with the correct tension.
4. Plug power supply cord into proper power source receptacle. (See Grounding Instructions)
5. Run the compressor for a minimum of twenty minutes in this no-load position to lubricate the bearings and piston.
6. Turn off compressor, drain liquid from tanks and close drain valve.
7. The compressor is now ready for use.

Start Up

1. Slowly open tank drain by turning clockwise. Allow any water in tank to drain out. Close fitting securely.
2. Before starting the compressor, check for broken components and accessories, and check for damage to the hose.
3. Make sure the power switch is turned "O"(OFF) position.
4. Attach desired tool to the end of the air hose.
5. Turn the switch on the "I"(ON) position.
6. Adjust regulator knob to desired pressure level once the pump has shut off and the compressor has stopped running.

Storage

1. Disconnect tools and/or accessories from the air hose.
2. Locate drain valve on bottom side of tank.
3. Open drain valve to release remaining pressurized air and moisture from the air tank. Moisture buildup in the tank is normal with air compressors, so a small amount of water may come out while draining the tank. Draining the tank is vital for longevity and safety of your air compressor.
4. Close valve and store the compressor in a cool, dry place.

Shut Down

1. Turn the ON/OFF lever to the OFF position.
2. Rotate the pressure regulator knob counterclockwise until it is fully closed. Check regulated pressure gauge to ensure that it reads 0 PSI.
3. Remove air hose and other connected accessories.
4. Slowly open air tank drain valve to release remaining pressurized air, and tilt unit to fully drain accumulated liquid from air tanks. Moisture build-up in the tank is normal with air compressor, so a small amount of water may come out while draining the tank. Draining the tank is vital for the longevity and safety of your air compressor.
5. Close drain valve.
6. Allow compressor to cool down.
7. Clean and store compressor.

Maintenance

When performing any maintenance or service

- The air compressor must be turned off.
- Drain tanks.
- Allow compressor to cool down.

Daily

- Check oil level.
- Drain accumulated liquid from tanks.
- Check for oil leaks.
- Check for unusual noise and/or vibrations
- Check that all fasteners are secure.

Weekly

- Check safety relief valve.
- Inspect and clean air filter.
- Clean breather holes on oil check dipstick.

Monthly

- Check for air leaks.
- Apply a solution of soapy water around joints.
- Look for air bubbles around joints when compressor reaches the pressure cut-out limit and pump turns off.
- Adjust belt tension and replace if worn or damaged.

Six Months or 250 Operating Hours

- Change compressor oil.
- Use only SAE 20 or SAE 30 weight non-detergent oil.
- Replace oil more frequently when used in dusty operating environments.

Oil Change

1. Place oil drain pan below oil drain plug.
2. Remove dipstick to allow air to enter crankcase.
3. Remove oil drain plug.
4. Allow oil to drain completely.
5. Clean and replace oil drain plug.
6. Refill crankcase with SAE 20 or SAE 30 weight non-detergent oil to red dot on oil level sight glass. Be careful not to overfill.

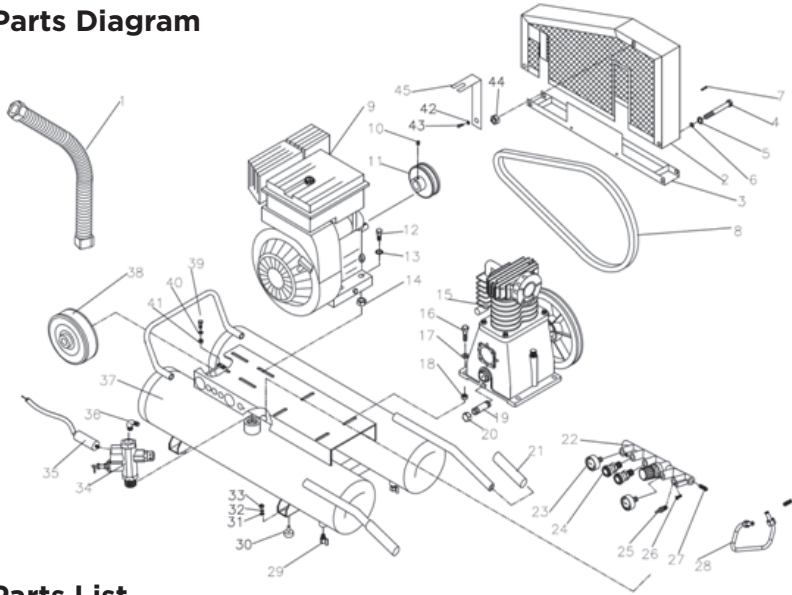
Troubleshooting Chart

Trouble	Possible Cause	Corrective Action
No start condition	Gas engine not running	Check operation of gas engine and ensure that the fuel valve is open.
Low pressure	Air leak in safety valve	Check valve manually by pulling upward on rings. If condition persists, replace valve.
	Loose tube or fittings	Tighten fittings
	Restricted air filter	Clean or replace
	Belt loose	Adjust belt tension
	Defective check valve	Replace check valve
Safety valve re-releasing	Defective pressure switch or improper adjustment	Check for proper adjustment and if problem persists, replace pressure switch
Oil discharge in air	Improper oil viscosity	Replace oil with 20-30 weight non-detergent oil
	Too much oil in crankcase	Drain crankcase and fill to proper level
	Restricted air filter	Clean or replace filter
	Worn piston rings	Replace piston rings
Excessive belt wear	Belt too loose	Adjust for proper tension
	Belt too tight	Adjust for proper tension
	Motor pulley out of alignment	Align motor pulley by adjusting the position of the electric motor

During the break-in period, nuts and bolts have a tendency to loosen. After two weeks, tighten all nuts and bolts including head bolts. Check every month to make sure all nuts and bolts stay tight.

AC708RB/AC658HB/AC908HB

Parts Diagram

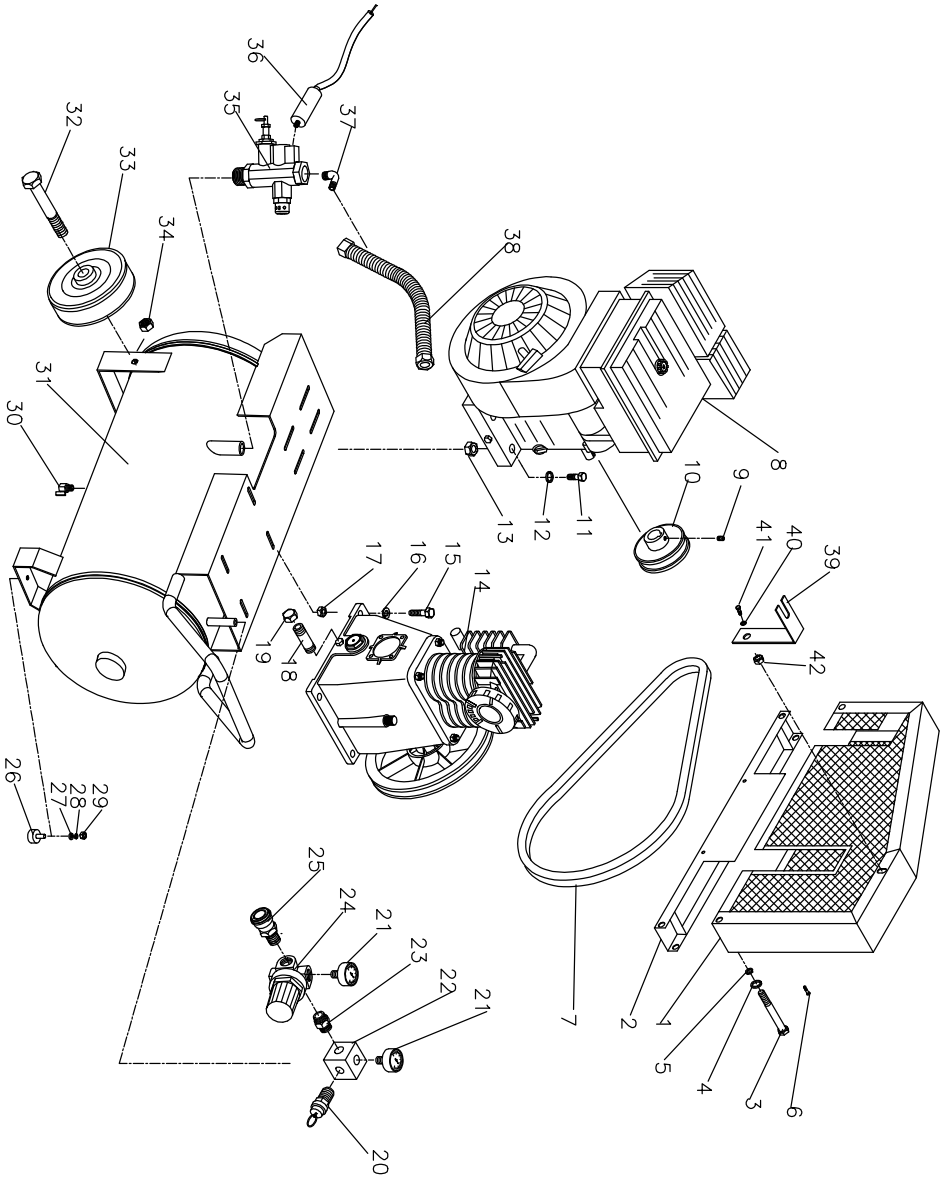


Parts List

No.	Description	Qty
1	Exhaust Pipe Assembly	1
2	Safety Guard	1
3	Safety Guard	1
4	Bolt	2
5	Spring Washer	2
6	Washer	2
7	M5x0.8x8 Screw	3
8	V-Belt	1
9	Engine	1
10	In-six Angle Bolt	1
11	Motor Pulley	1
12	Bolt	4
13	Spring Washer	4
14	Six Angle Nut	4
15	Pump	1
16	Bolt	4
17	Spring Washer	4
18	Six Angle Nut	4
19	Discharge tubing	1
20	Six Angle Nut	1
21	Grip, Handle	2
22	Manifold	1
23	Pressure Gauge	2

No.	Description	Qty
24	Quick Disconnect	2
25	Safety valve	1
26	Screw,Cross recess head	2
27	nipple	2
28	Pipe	1
29	Drain Cock	2
30	Foot Rubber Pad	4
31	8 Flat Washer	4
32	Spring Washer	4
33	Bolt	4
34	Pilot Unloader Valve	1
35	Gas Pedal	1
36	Exhaust Elbow	1
37	Air Tank	1
38	Tank Wheel	1
39	Screw,Cross recess head	2
40	Spring Washer	2
41	Six Angle Nut	2
42	Washer	2
43	Screw	1
44	Six Angle Nut	1
45	link span	1

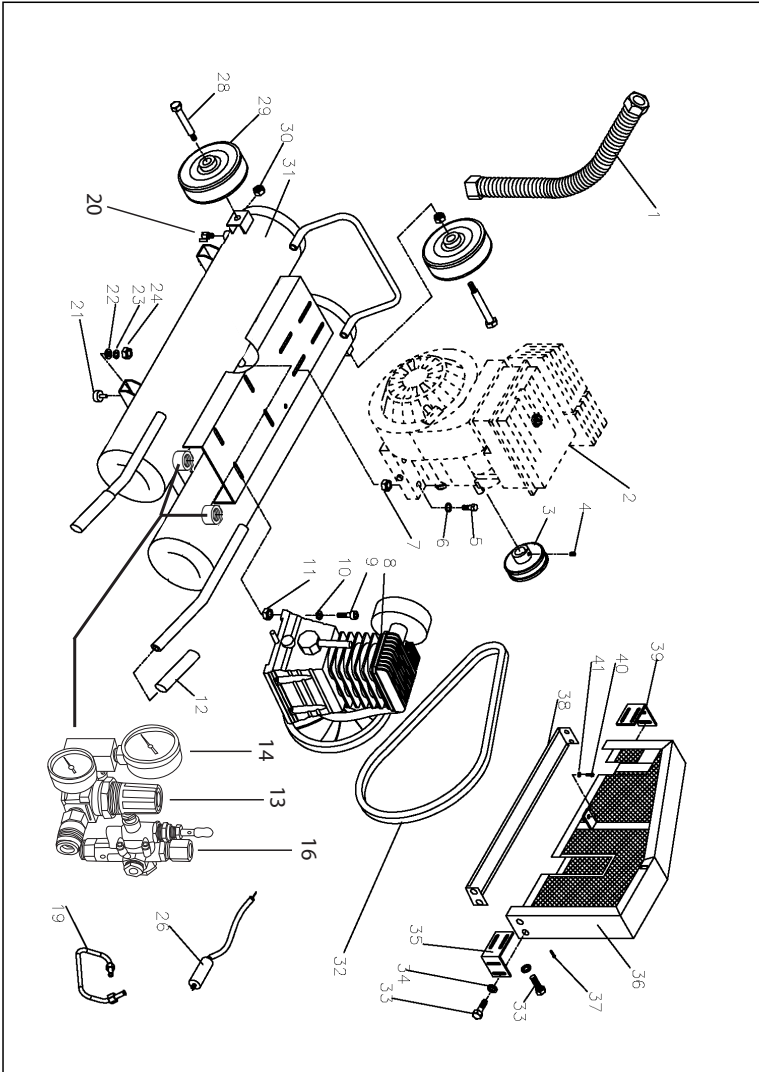
AC6520HB Parts



AC6520HB Parts

No.	Description	Q'ty			
1	Safety Guard	1	22	Manifold	1
2	Safety Guard	1	23	nipple	2
3	Bolt	2	24	Regulator	1
4	Spring Washer	2	25	Quick Disconnect	2
5	Washer	2	26	Foot Rubber Pad	2
6	M5x0.8x8 Screw	3	27	6 Flat Washer	2
7	V-Belt	1	28	Spring Washer	2
8	Engine	1	29	Six Angle Nut	2
9	In-six Angle Bolt	1	30	Drain Cock	1
10	Motor Pulley	1	31	Air Tank	1
11	Bolt	4	32	Bolt	2
12	Spring Washer	4	33	Tank Wheel	2
13	Six Angle Nut	4	34	Six Angle Nut	2
14	Pump	1	35	Pilot Unloader Valve	1
15	Bolt	4	36	Gas Pedal	1
16	Spring Washer	4	37	Exhaust Elbow	1
17	Six Angle Nut	4	38	Exhaust Pipe Assembly	1
18	Discharge tubing	1	39	link span	1
19	Six Angle Nut	1	40	Washer	1
20	Safety valve	1	41	Screw	1
21	Pressure Gauge	2	42	Six Angle Nut	1

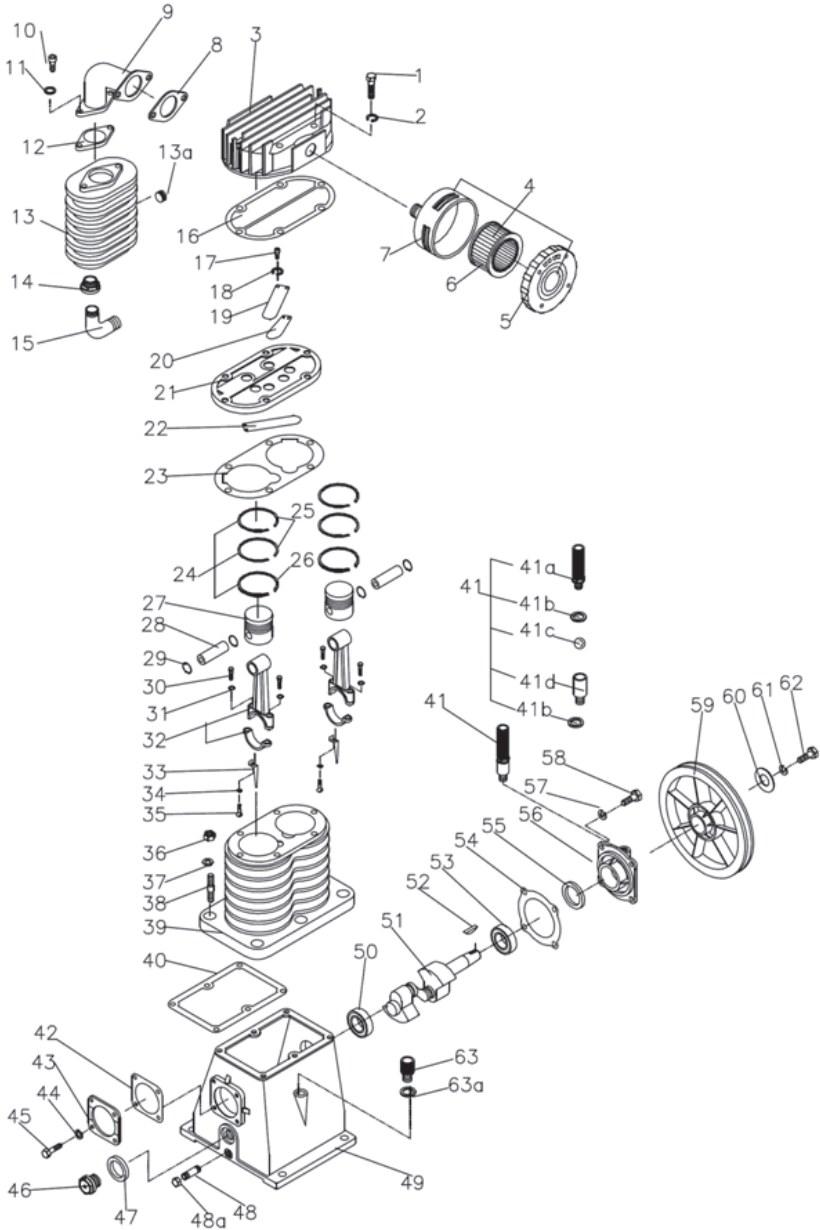
AC908HB2 Parts



AC908HB2 Parts

REF.	DESCRIPTION	QTY
1	Exhaust Pipe Assembly	1
3	Motor Pulley	1
8	Pump	1
13	Manifold	1
19	Pipe	1
28	Screw,	2
29	Tank Wheel	2
30	Six Angle Nut	2
32	V-Belt	1
33	Bolt	8
34	Washer	8
35	Safety Guard Seat L	1
36	Safety Guard	1
37	M5x0.8x8 Screw	3
38	Safety Guard	1
39	Safety Guard Seat S	1
40	Bolt	1
41	Spring Washer	1
14	Pressure Gauge	2
15	Coupler	2
16	Safety valve	1

AC708RB/AC658HB/AC6520HB Pump

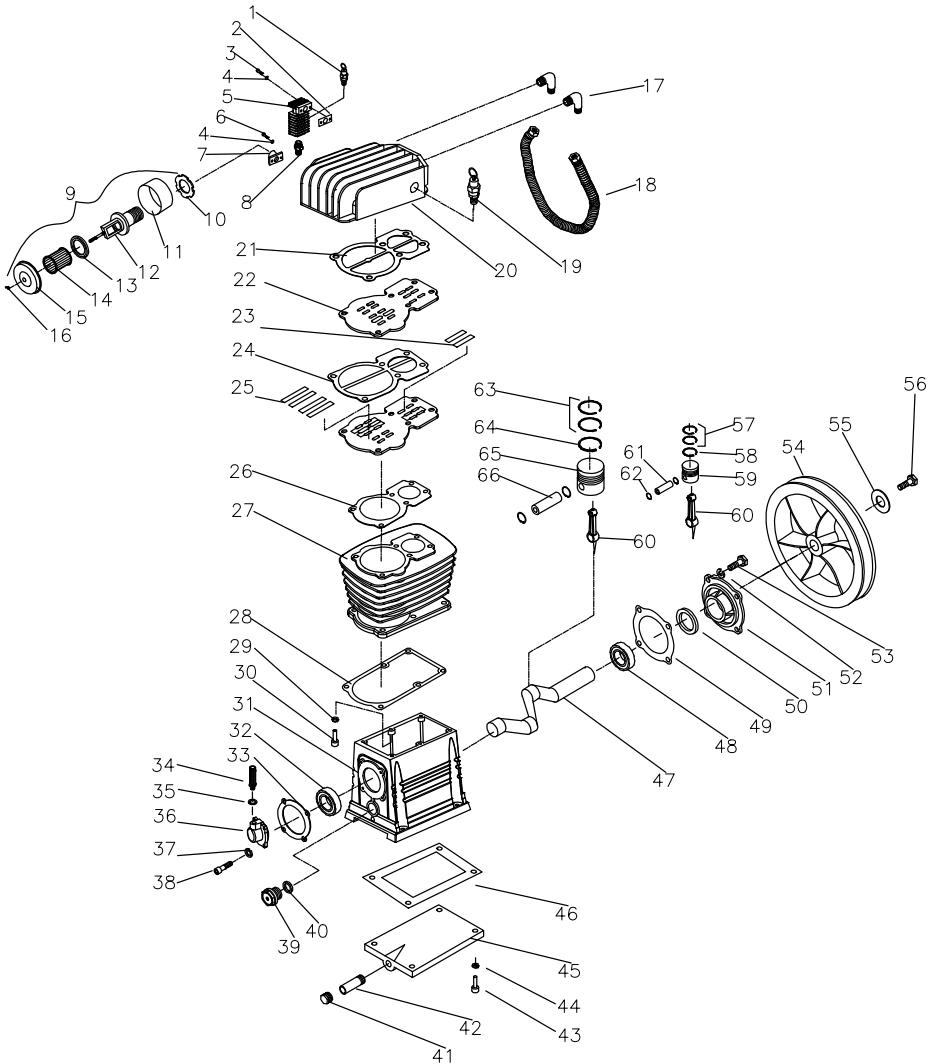


Parts List

No.	Description	Qty
1	Bolt	6
2	Spring Washer	6
3	Cylinder Head	1
4	Air Filter Assy	1
5	Front Cover, Air Filter	1
6	Element, Air Filter	1
7	Rear Cover, Air Filter	1
8	Exht. Elbow Gasket	1
9	Exht. Elbow	1
10	In-six Angle Bolt	4
11	Copper Washer	4
12	Exht. Elbow Gasket	1
13	Exht. Cooler	1
13a	Bolt	1
14	Nut,Exhaust	1
15	Exhaust Elbow	1
16	Gasket, Cylinder Head	1
17	M4*10 Screw	8
18	Spring Washer	8
19	Outlet Valve Guard	2
20	Valve Plate	2
21	Vavle Seat	1
22	Valve Plate	2
23	Gasket, Cylinder	1
24	Piston Ring Set	2
25	Compression Ring	4
26	Oil Ring	2
27	Piston	2
28	Piston Pin	2
29	Piston Pin Clip	4
30	In-Six Angle Bolt	4
31	Spring Washer	4
32	Connecting Rod	2
33	Splasher	2
34	Spring Washer	2
35	Screw,Cross recess head	2
36	Six Angle Nut	6
37	Spring Washer	6

No.	Description	Qty
38	Stud	6
39	Cylinder	1
40	Gasket, Cylinder	1
41	Breather Assy	1
41a	Breather	1
41b	Washer,Breather	2
41c	Ball	1
41d	Rod, Breather	1
42	Gasket, Bearing Cover	1
43	Bearing Cover	1
44	Spring Washer	4
45	Bolt	4
46	Oil Leveler	1
47	Washer, Oil Leveler	1
48	Discharge tubing	1
48a	Six Angle Nut	1
49	Crankcase	1
50	Bearing	1
51	Crankshaft	1
52	Woodruff Key	1
53	Bearing	1
54	Gasket, Bearing Seat	1
55	Oil Seal	1
56	Bearing Seat	1
57	Spring Washer	4
58	Bolt 8.8	4
59	Pulley	1
60	Pulley Washer	1
61	Spring Washer	1
62	Bolt	1
63	Oil Filling Plug	1
63a	Washer	1

AC908HB Pump

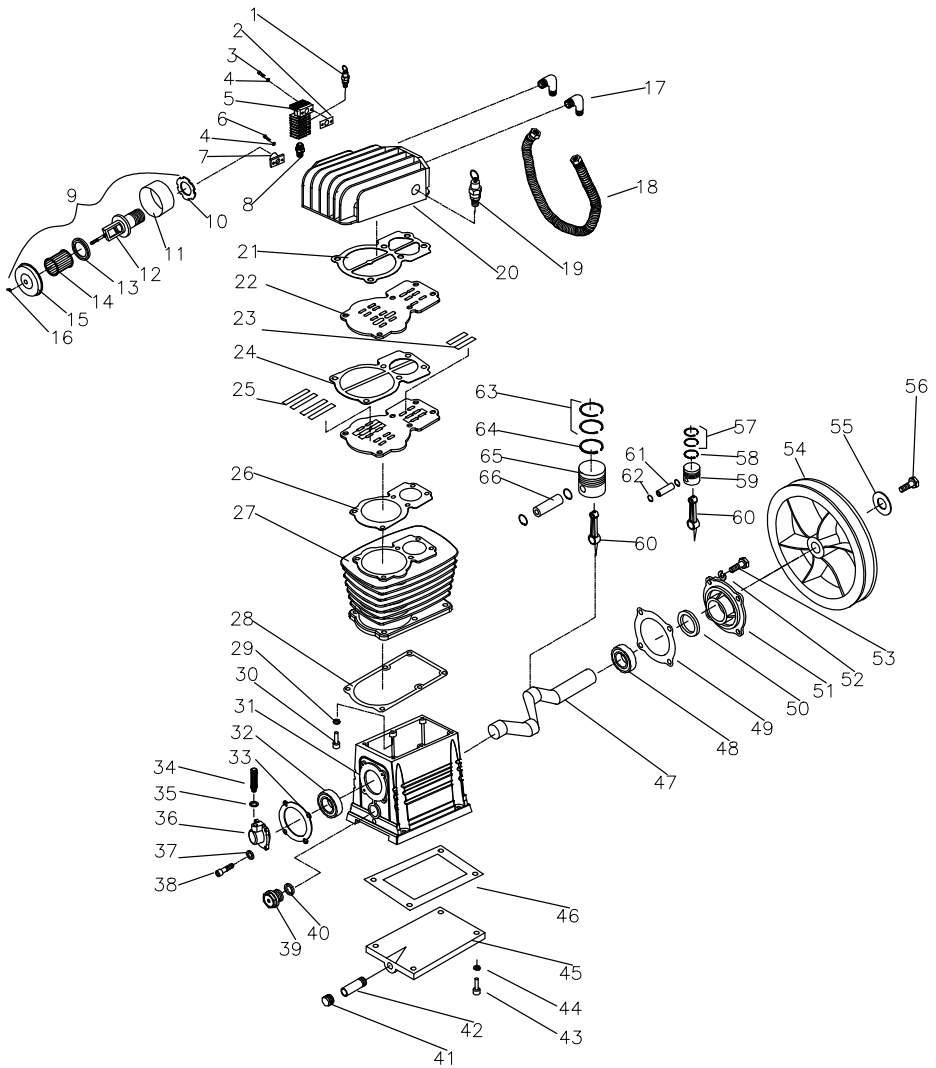


Parts List

No.	Description	Qty
1	Safety Valve	1
2	Cooler Washer	1
3	In-Six Angle Bolt	2
4	Spring Washer	4
5	Exhaust Cooler	1
6	In-Six Angle Bolt	2
7	Flange	1
8	Nipple	1
9	Air Filter Assy	1
10	Check Washer, Air Filter	1
11	Rear Cover, Air Filter	1
12	Connect Seat, Air Filter	1
13	Washer, Air Filter	1
14	Element, Air Filter	1
15	Front Cover, Air Filter	1
16	Nut	1
17	Cooler Elbow	2
18	Intercooler copper pipe	1
19	Safety Valve	1
20	Cylinder Head	1
21	Gasket, Cylinder Head	1
22	Vavle Seat	2
23	Valve Plate	2
24	Al. Gasket	1
25	Valve Plate	4
26	Gasket, Cylinder	1
27	Cylinder	1
28	Gasket, Cylinder	1
29	Spring Washer	6
30	In-Six Angle Bolt	6
31	Crankcase	1
32	Bearing	1
33	Gasket, Bearing Cover	1
34	Breather	1
35	Washer, Breather	1
36	Bearing Cover	1
37	Spring Washer	4
38	In-Six Angle Bolt	4

No.	Description	Qty
39	Oil Leveler	1
40	Washer, Oil Leveler	1
41	Oil Drain Plug	1
42	Oil Drain pipe	1
43	In-Six Angle Bolt	4
44	Spring Washer	4
45	Soleplate	1
46	seat gasket	1
47	Crankshaft	1
48	Brearing	1
49	Gasket, Bearing Seat	1
50	Oil Seal	1
51	Bearing Seat	1
52	Spring Washer	6
53	Bolt	6
54	Pulley	1
55	Washer	1
56	Bolt	1
57	Compression Ring	2
58	Oil Ring	1
59	Piston	1
60	Connecting Rod	2
61	Piston Pin	1
62	Circlip for Hole	4
63	Compression Ring	2
64	Oil Ring	1
65	Piston	1
66	Piston Pin	1

AC908HB2 Pump



Parts List

No.	Description	Qty
1	Safety Valve	1
2	Cooler Washer	1
3	In-Six Angle Bolt	2
4	Spring Washer	4
5	Exhaust Cooler	1
6	In-Six Angle Bolt	2
7	Flange	1
8	Nipple	1
9	Air Filter Assy	1
10	Check Washer, Air Filter	1
11	Rear Cover, Air Filter	1
12	Connect Seat, Air Filter	1
13	Washer, Air Filter	1
14	Element, Air Filter	1
15	Front Cover, Air Filter	1
16	Nut	1
17	Cooler Elbow	2
18	Intercooler copper pipe	1
19	Safety Valve	1
20	Cylinder Head	1
21	Gasket, Cylinder Head	1
22	Valve Seat	2
23	Valve Plate	2
24	Al. Gasket	1
25	Valve Plate	4
26	Gasket, Cylinder	1
27	Cylinder	1
28	Gasket, Cylinder	1
29	Spring Washer	6
30	In-Six Angle Bolt	6
31	Crankcase	1
32	Bearing	1
33	Gasket, Bearing Cover	1
34	Breather	1
35	Washer, Breather	1
36	Bearing Cover	1
37	Spring Washer	4
38	In-Six Angle Bolt	4

No.	Description	Qty
39	Oil Leveler	1
40	Washer, Oil Leveler	1
41	Oil Drain Plug	1
42	Oil Drain pipe	1
43	In-Six Angle Bolt	4
44	Spring Washer	4
45	Sole-plate	1
46	seat gasket	1
47	Crankshaft	1
48	Bearing	1
49	Gasket, Bearing Seat	1
50	Oil Seal	1
51	Bearing Seat	1
52	Spring Washer	6
53	Bolt	6
54	Pulley	1
55	Washer	1
56	Bolt	1
57	Compression Ring	2
58	Oil Ring	1
59	Piston	1
60	Connecting Rod	2
61	Piston Pin	1
62	Circlip for Hole	4
63	Compression Ring	2
64	Oil Ring	1
65	Piston	1
66	Piston Pin	1



WARRANTY

CALIFORNIA AND FEDERAL EXHAUST AND EVAPORATIVE EMISSIONS CONTROL WARRANTY STATEMENT

YOUR WARRANTY RIGHTS AND OBLIGATIONS

The California Air Resources Board, the United States Environmental Protection Agency and Chongqing Rato Technology Co., Ltd. (Rato), are pleased to explain the exhaust and evaporative emissions (“emissions”) control system warranty on your 2019/2020 small off-road engine/equipment.

In California, new equipment that use small off-road engines must be designed, built, and equipped to meet the State’s stringent anti-smog standards. Rato must warrant the emissions control system on your small off-road engine/equipment for the period listed below provided there has been no abuse, neglect or improper maintenance of your small off-road engine/equipment leading to the failure of the emissions control system.

Your emissions control system may include parts such as the carburetor or fuel-injection system, the ignition system, catalytic converter, fuel tanks, fuel lines (for liquid fuel and fuel vapors), fuel caps, valves, canisters, filters, clamps and other associated components. Also included may be hoses, belts, connectors, and other emission-related assemblies.

Where a warrantable condition exists, Rato will repair your small off-road engine/equipment at no cost to you including diagnosis, parts and labor.

MANUFACTURER’S WARRANTY COVERAGE

The exhaust and evaporative emissions control system on your small off-road engine/equipment is warranted for two years. If any emissions-related part on your small off-road engine/equipment is defective, the part will be repaired or replaced by Rato.

OWNER’S WARRANTY RESPONSIBILITIES

As the small off-road engine/equipment owner, you are responsible for performance of the required maintenance listed in your owner’s manual. Rato recommends that you retain all receipts covering maintenance on your small off-road engine/equipment, but Rato cannot deny warranty coverage solely for the lack of receipts or for your failure to ensure the performance of all scheduled maintenance.

As the small off-road engine/equipment owner, you should however be aware that Rato may deny your warranty coverage if your small off-road engine/equipment or a part has failed due to abuse, neglect, or improper maintenance or unapproved modifications.

You are responsible for presenting your small off-road engine/equipment to a Rato



distribution center or service center as soon as the problem exists. The warranty repairs shall be completed in a reasonable amount of time, not to exceed 30 days.

If you have any questions regarding your warranty rights and responsibilities, you should contact BE POWER EQUIPMENT at 1-800-663-8331 (free phone) or Email at info@bepressure.com

DEFECTS WARRANTY REQUIREMENTS

A - The warranty period begins on the date the small off-road engine/equipment is delivered to an ultimate purchaser.

B - General Emissions Warranty Coverage. Rato warrants to the ultimate purchaser and each subsequent owner that the engine or equipment is:

1. Designed, built, and equipped so as to conform with all applicable regulations adopted by the Air Resources Board; and
2. Free from defects in materials and workmanship that causes the failure of a warranted part for a period of two years.

C - The warranty on emission-related parts will be interpreted as follows:

1. Any warranted part that is not scheduled for replacement as required maintenance in the written instructions must be warranted for the warranty period defined in Subsection (b)(2). If any such part fails during the period of warranty coverage, it must be repaired or replaced by Rato according to Subsection (4) below. Any such part repaired or replaced under the warranty must be warranted for the remaining warranty period.
2. Any warranted part that is scheduled only for regular inspection in the written instructions must be warranted for the warranty period defined in Subsection (b) (2). A statement in such written instructions to the effect of "repair or replace as necessary" shall advise owners of the warranty coverage for emissions related parts. Replacement within the warranty period is covered by the warranty and will not reduce the period of warranty coverage. Any such part repaired or replaced under warranty must be warranted for the remaining warranty period.
3. Any warranted part that is scheduled for replacement as required maintenance in the written instructions must be warranted for the period of time prior to the first scheduled replacement point for that part. If the part fails prior to the first scheduled replacement, the part must be repaired or replaced by Rato according to Subsection (4) below. Any such part repaired or replaced under warranty must be warranted for the remainder of the period prior to the first scheduled replacement point for the part.
4. Repair or replacement of any warranted part under the warranty provisions must be performed at no charge to the owner at a warranty station.



WARRANTY

1. Notwithstanding the provisions of Subsection (4) above, warranty services or repairs must be provided at distribution centers that are franchised to service the subject engine/equipment.
2. The owner must not be charged for diagnostic labor that leads to the determination that a warranted part is in fact defective, provided that such diagnostic work is performed at a warranty station.
3. Rato is liable for damages to other engine/equipment components proximately caused by a failure under warranty of any warranted part.
4. Throughout the emissions control system's warranty period set out in subsection (b)(2), Rato must maintain a supply of warranted parts sufficient to meet the expected demand for such parts and must obtain additional parts if that supply is exhausted.
5. Manufacturer-approved replacement parts that do not increase the exhaust or evaporative emissions of the engine or emissions control system must be used in the performance of any warranty maintenance or repairs and must be provided without charge to the owner. Such use will not reduce the warranty obligations of Rato.
6. Add-on or modified parts that are not exempted by the Air Resources Board may not be used. The use of any non-exempted add-on or modified parts will be grounds for disallowing a warranty claim. Rato will not be liable to warrant failures of warranted parts caused by the use of a non-exempted add-on or modified part.
11. Rato issuing the warranty shall provide any documents that describe that warranty procedures or policies within five working days of request by the Executive Officer.

D - Emission Warranty Parts List for Exhaust

1. Fuel Metering System
 - Carburetor and internal parts (and/or pressure regulator or fuel injection system).
 - Air/fuel ratio feedback and control system.
 - Cold start enrichment system.
2. Air Induction System
 - Controlled hot air intake system.
 - Intake manifold.
 - Air filter.
3. Ignition System
 - Spark Plugs.
 - Magneto or electronic ignition system.
 - Spark advance/retard system.
4. Exhaust Gas Recirculation (EGR) System
 - EGR valve body, and carburetor spacer if applicable.
 - EGR rate feedback and control system.
5. Air Injection System
 - Air pump or pulse valve.

- Valves affecting distribution of flow.
 - Distribution manifold.
6. Catalyst or Thermal Reactor System
 - Catalytic converter.
 - Thermal reactor.
 - Exhaust manifold.
 7. Particulate Controls
 - Traps, filters, precipitators, and any other device used to capture particulate emissions.
 8. Miscellaneous Items Used in Above Systems
 - Electronic controls.
 - Vacuum, temperature, and time sensitive valves and switches.
 - Hoses, belts, connectors, and assemblies.

E - Emission Warranty Parts List for Evap

1. Fuel Tank
2. Fuel Cap
3. Fuel Lines (for liquid fuel and fuel vapors)
4. Fuel Line Fittings
5. Clamps*
6. Pressure Relief Valves*
7. Control Valves*
8. Control Solenoids*
9. Electronic Controls*
10. Vacuum Control Diaphragms*
11. Control Cables*
12. Control Linkages*
13. Purge Valves*
14. Gaskets*
15. Liquid/Vapor Separator
16. Carbon Canister
17. Canister Mounting Brackets
18. Carburetor Purge Port Connector

*Note: As they relate to the evaporative emission control system.

Rato will furnish with each new small off-road engine/equipment written instructions for the maintenance and use of the engine/equipment by the owner.

BE

THE POWER YOU NEED.

**If you need assistance with the
assembly or operation of this
Compressor please call**

1-800-663-8331

1-800-663-8331

**SI VOUS AVEZ BESOIN D'AIDE AVEC LE
ASSEMBLAGE OU FONCTIONNEMENT DE CETTE
COMPRESSEUR S'IL VOUS PLAÎT APPELEZ**

THE POWER YOU NEED.

BE

RATO fournira avec chaque nouveau petit moteur / équipement tout-terrain des instructions écrites pour l'entretien et l'utilisation du moteur / équipement par le propriétaire.

* Remarque: En ce qui concerne le système de contrôle des émissions par évaporation.

18. Connecteur du port de purge du carburateur
 17. Supports de montage de bidon
 16. Bidon de carbone
 15. Séparateur Liquide / Vapeur
 14. Joints *
 13. Vannes de purge *
 12. Liens de contrôle *
 11. Câbles de contrôle *
 10. Diaphragmes de contrôle du vide *
 9. Commandes électroniques *
 8. Solénoïdes de contrôle *
 7. Vannes de contrôle *
 6. Soupapes de décharge de pression*
 5. Pincees *
 4. Raccords de conduite de carburant
 3. Lignes de carburant (pour le carburant liquide et les vapeurs de carburant)
 2. Bouchon du réservoir d'essence
 1. Réservoir d'essence
- E - Liste des pièces sous garantie Emission pour Evap

4. Divers articles utilisés dans les systèmes ci-dessus
 - Commandes électroniques.
 - Vannes et commutateurs sensibles au vide, à la température et au temps.
 - Tuyaux, courroies, connecteurs et assemblages.
3. Contrôle des particules
 - Les pièges, filtres, précipitateurs et tout autre dispositif utilisé pour capter les émissions de particules.
2. Catalyseur ou système de réacteur thermique
 - Collecteur de distribution.
 - Les vannes affectant la distribution du flux.
 - Pompe à air ou valve à impulsion.
1. Système d'injection d'air
 - Système de retour et de contrôle du taux EGR.
 - Corps de la vanne EGR et entretoise de carburateur, le cas échéant.



GARANTIE

1. La réparation ou le remplacement de toute pièce sous garantie en vertu des dispositions de la garantie doit être effectué sans frais pour le propriétaire dans un centre de garantie.
 2. être effectué sans frais pour le propriétaire dans un centre de garantie.
 3. Nonobstant les dispositions du paragraphe (4) ci-dessus, des services de garantie ou des réparations doivent être fournis dans des centres de distribution franchisés pour assurer la maintenance du moteur / équipement en question.
 4. Le propriétaire ne doit pas être facturé pour le travail de diagnostic menant à la conclusion qu'une pièce garantie est effectivement défectueuse, à condition que ce travail de diagnostic soit effectué dans un centre de garantie.
 5. RATO est responsable des dommages subis par d'autres composants du moteur / de l'équipement et causés par une défaillance sous garantie de toute pièce sous garantie.
 6. Pendant toute la période de garantie du système de contrôle des émissions définie au paragraphe (b) (2), RATO doit maintenir une quantité de pièces sous garantie suffisante pour répondre à la demande attendue pour ces pièces et doit obtenir des pièces supplémentaires si cette offre est épuisée.
 7. Les pièces de rechange approuvées par le fabricant qui n'augmentent pas les émissions d'échappement ou d'évaporation du moteur ou du système de contrôle des émissions doivent être utilisées dans le cadre de tout entretien ou réparation sous garantie et doivent être fournies sans frais pour le propriétaire. Une telle utilisation ne réduira pas les obligations de garantie de RATO.
 8. Les pièces ajoutées ou modifiées qui ne sont pas exemptées par le Air Resources Board ne peuvent pas être utilisées. L'utilisation de pièces ajoutées ou modifiées non exemptées constituera un motif de rejet d'une demande de garantie. RATO ne sera pas tenu de garantir les défaillances des pièces sous garantie causées par l'utilisation d'une pièce ajoutée ou modifiée non exemptée.
 9. RATO émettant la garantie doit fournir tous les documents décrivant ces procédures ou politiques de garantie dans les cinq jours ouvrables suivant la demande de l'Administrateur.
- D - Emission Warranty Parts List for Exhaust
1. Système de dosage de carburant
 - Carburateur et pièces internes (et / ou régulateur de pression ou système d'injection de carburant).
 2. Contrôle du rapport air / carburant et système de contrôle
 - Système d'enrichissement à démarrage à froid.
 - Système d'induction d'air
 3. Système de mise à feu
 - Filtre à air.
 - Tubulure d'admission.
 - Bougies.
 - Magnéto ou allumage électronique.
 - Système d'avance / retard à l'allumage.
 4. Système de recyclage des gaz d'échappement (EGR)

- de modifications non approuvées.
- Vous êtes responsable de présenter votre petit moteur / équipement tout-terrain à un centre de distribution ou de service après-vente RATO dès que le problème existe. Les réparations sous garantie doivent être effectuées dans un délai raisonnable ne dépassant pas 30 jours.
- Si vous avez des questions concernant vos droits et responsabilités en matière de garantie, vous devez contacter BE POWER EQUIPMENT au 1-800-663-8331 (téléphone gratuit) ou par courrier électronique à l'adresse info@bepowersure.com.
- ### DÉFAUTS EXIGENCES DE LA GARANTIE
- A - La période de garantie commence à la date à laquelle le petit moteur / équipement tout-terrain est livré à l'acheteur final.
- B - Couverture générale de la garantie des émissions. RATO garantit à l'acheteur final et à chaque propriétaire ultérieur que le moteur ou l'équipement est:
1. Conçus, construits et équipés de manière à être conformes à tous les règlements applicables adoptés par le Air Resources Board; et
 2. Exempt de défauts de matériaux et de fabrication entraînant la défaillance d'une pièce sous garantie pendant une période de deux ans.
- C - La garantie sur les pièces liées aux émissions sera interprétée comme suit:
1. Toute pièce garantie dont le remplacement n'est pas planifié en raison des travaux de maintenance requis dans les instructions écrites doit être garantie pour la période de garantie définie à la sous-section (b) (2). Si l'une de ces pièces tombe en panne pendant la période de garantie, elle doit être réparée ou remplacée par RATO conformément au paragraphe (4) ci-dessous. Toute pièce réparée ou remplacée dans le cadre de la garantie doit être garantie pour la période de garantie restante.
 2. Toute pièce sous garantie qui ne doit être inspectée régulièrement que dans les instructions écrites doit être garantie pour la période de garantie définie à la sous-section (b) (2). Une déclaration dans de telles instructions écrites à l'effet de «réparer ou remplacer selon les besoins» informera les propriétaires de la couverture de la garantie pour les pièces liées aux émissions. Le remplacement effectué pendant la période de garantie est couvert par la garantie et ne réduira pas la période de couverture. Toute pièce de ce type réparée ou remplacée sous garantie doit être garantie pour la période de garantie restante.
 3. Toute pièce sous garantie dont le remplacement est programmé conformément aux instructions écrites de la maintenance doit être justifiée pour la période précédant le premier remplacement prévu pour cette pièce. Si la pièce fait défaut avant le premier remplacement prévu pour cette pièce, être réparée ou remplacée par RATO conformément au paragraphe (4) ci-dessous. Toute pièce de ce type réparée ou remplacée sous garantie doit être garantie pour le reste de la période précédant le premier point de remplacement prévu de la pièce.



En tant que propriétaire petit de moteur / d'équipement hors route, vous êtes responsable de l'exécution de l'entretien requis indiqué dans votre manuel du propriétaire. RATO vous recommande de conserver tous les reçus concernant la maintenance de votre petit moteur / équipement tout-terrain, mais RATO ne peut pas refuser la couverture de la garantie uniquement pour le manque de reçus ou pour ne pas avoir assuré l'exécution de toutes les tâches de maintenance programmées. En tant que propriétaire de petit moteur / équipement hors route, vous devez toutefois savoir que RATO peut refuser votre couverture de garantie si votre petit moteur / équipement tout-terrain ou une pièce est tombé en panne en raison d'un abus, d'une négligence, d'un mauvais entretien ou

RESPONSABILITÉS DE LA GARANTIE DU PROPRIÉTAIRE

Le système de contrôle des gaz d'échappement et de l'évaporation sur votre petit moteur / équipement tout-terrain est garanti pendant deux ans. Si une pièce liée aux émissions de votre petit moteur / équipement tout-terrain est défectueuse, elle sera réparée ou remplacée par RATO.

COUVERTURE DE GARANTIE DU FABRICANT

Lorsqu'il existe une condition de garantie, RATO réparera gratuitement votre petit moteur / équipement tout-terrain, pièces et main-d'œuvre compris.

liés aux émissions. Les composants associés. Sont également inclus les tuyaux, courroies, connecteurs et autres ensembles de carburant, les conduites de carburant (pour le carburant liquide et les vapeurs de carburant), les bouillons de carburant, les soupapes, les bidons, les filtres, les colliers de serrage et autres. Votre système de contrôle des émissions peut inclure des pièces telles que le carburateur ou le système d'injection de carburant, le système d'allumage, le convertisseur catalytique, les réservoirs de carburant, les conduites de carburant (pour le carburant liquide et les vapeurs de carburant), les bouillons de carburant, les soupapes, les bidons, les filtres, les colliers de serrage et autres. liés aux émissions.

En Californie, les nouveaux équipements utilisant de petits moteurs tout-terrain doivent être conçus, construits et équipés pour répondre aux normes strictes de l'État en matière de lutte contre le smog. RATO doit garantir le système de contrôle des émissions de votre petit moteur / équipement tout-terrain pour la période indiquée ci-dessous, à condition qu'aucun abus, négligence ou mauvais entretien de votre petit moteur / équipement non-route n'ait entraîné l'échec du système de contrôle des émissions.

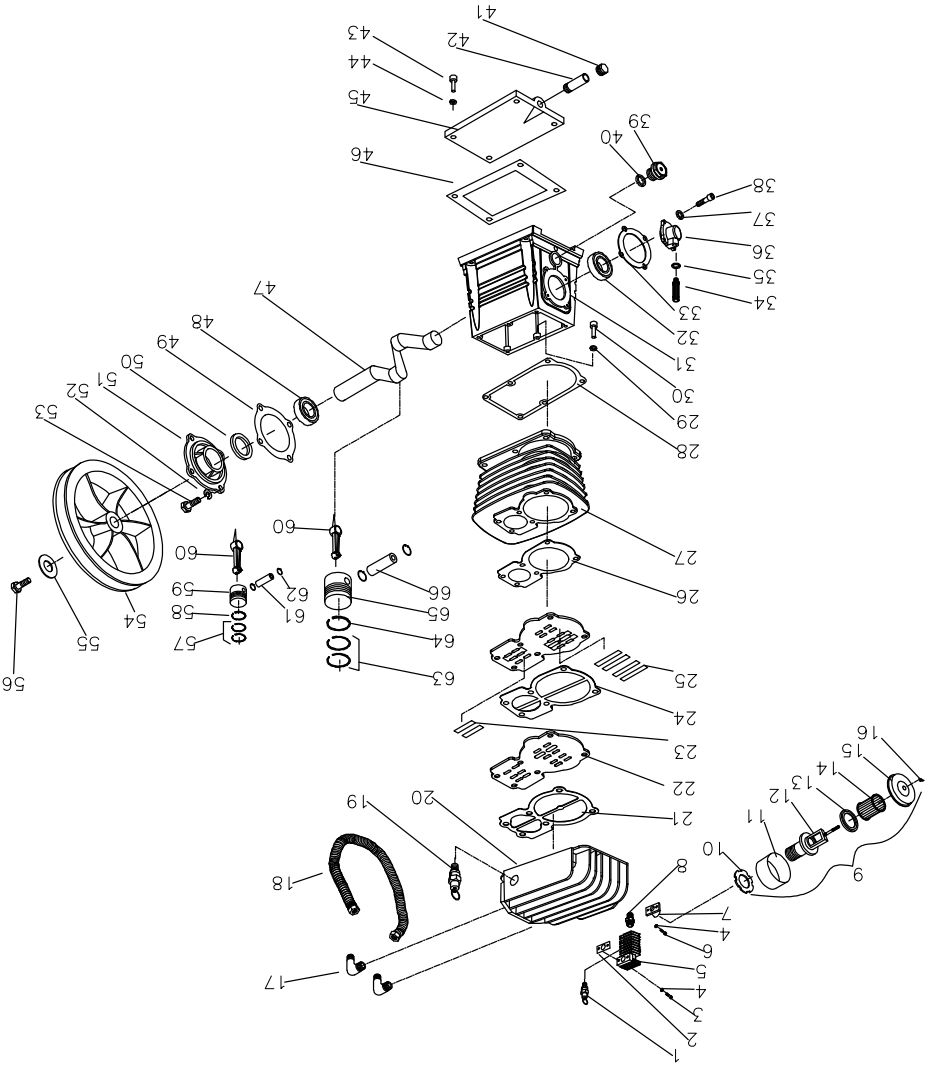
California Air Resources Board, l'Environmental Protection Agency des États-Unis et Chongqing RATO Technology Co., Ltd. (RATO) ont le plaisir de vous expliquer la garantie du système de contrôle des émissions et des émissions par évaporation («émissions») de votre petit appareil 2019/2020. moteur / équipement de route.

VOS DROITS ET OBLIGATIONS DE GARANTIE

Liste des pièces

No.	Description	Qty
1	boulon	6
2	Ressort rondelle	6
3	Culasse	1
4	Filter à air assemblage	1
5	Lentilles frontales, Filtre à air	1
6	éléments , Filtre à air	1
7	couverture, Filtre à air	1
8	Joint d'échappement coude	1
9	coude d'échappement	1
10	In-six boulon d'angle	4
11	cuivre rondelle	4
12	Joint d'échappement coude	1
13	Refroidisseur de gaz d'échappement	1
13a	boulon	1
14	l'écrou, d'échappement	1
15	coude d'échappement	1
16	joint d'étanchéité, tête de cylindre	1
17	M4*10 vis	8
18	rondelle	8
19	sortie de la tulipe	2
20	Plaque de soupape	2
21	Siège de soupape	1
22	Plaque de soupape	2
23	Joint cylindre	1
24	bague de piston	2
25	Anneau de compression	4
26	à l'huile anneau	2
27	Piston	2
28	Axe de piston	2
29	Piston Tige Clip	4
30	In-six boulon d'angle	4
31	Ressort rondelle	4
32	Bielle	2
33	Rondelle déflectrice	2
34	Ressort rondelle	2
35	Vis	2
36	Six Angle l'écrou	6
37	Ressort rondelle	6

No.	Description	Qty
38	clou	6
39	cylindre	1
40	Joint d'étanchéité, cylindre	1
41	Renfiard assemblage	1
41a	Renfiard	1
41b	rondelle, Renfiard	2
41c	Bielle	1
41d	Tige, Renfiard	1
42	Bague de roulement	1
43	Roulement avant	1
44	Ressort rondelle	4
45	boulon	4
46	Voyant vitré d'huile	1
47	rondelle, Voyant vitré d'huile	1
48	tuyau d'évacuation	1
48a	Six Angle l'écrou	1
49	Carte de la pompe	1
50	Roulement à billes	1
51	Vilbrequin	1
52	Cie demi-lune	1
53	Roulement à billes	1
54	Bouchon arrière du joint d'étanchéité	1
55	Joint d'étanchéité d'huile	1
56	Roulement à billes	1
57	Ressort rondelle	4
58	boulon 8,8	4
59	poulie	1
60	poulie rondelle	1
61	Ressort rondelle	1
62	boulon	1
63	bouchon d'huile	1
63a	rondelle	1



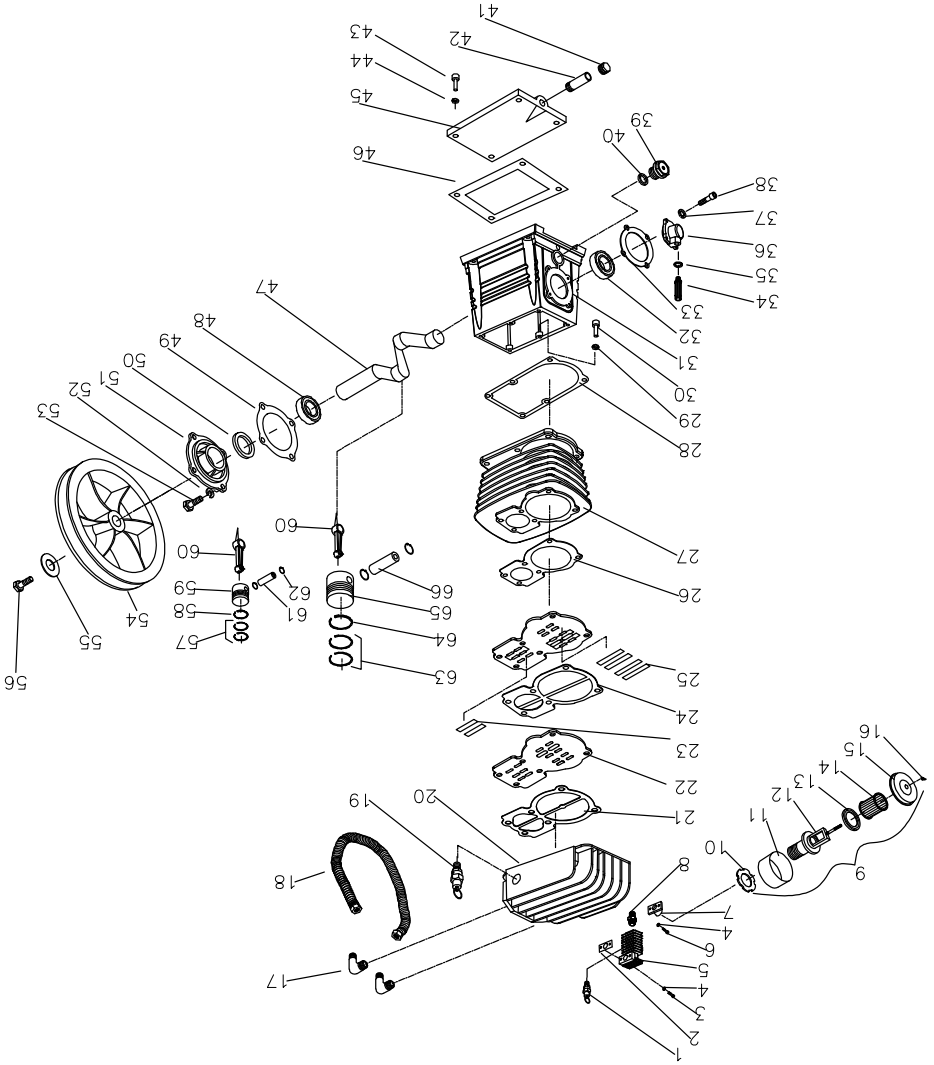
AC908HB2 Pompe

Liste des pièces

No.	Description	Qty
1	Souape de sécurité	1
2	rondelle	1
3	In-six boulon d'angle	2
4	Ressort rondelle	4
5	Refrigerateur de gaz dechappement	1
6	In-six boulon d'angle	2
7	bride	1
8	fileté	1
9	Filtre à air assemblage	1
10	rondelle, Filtre à air	1
11	couverture, Filtre à air	1
12	connecteur, Filtre à air	1
13	rondelle, Filtre à air	1
14	éléments , Filtre à air	1
15	Lentilles frontales, Filtre à air	1
16	lécrou	1
17	Cooler Elbow	2
18	Echappement Assemblée tuyaux	1
19	Souape de sécurité	1
20	Culasse	1
21	joint d'étanchéité, tête de cylindre	1
22	Siège de soupape	2
23	Plaque de soupape	2
24	Joint cylindre	1
25	Plaque de soupape	4
26	joint d'étanchéité, tête de cylindre	1
27	cylindre	1
28	Joint cylindre	1
29	Ressort rondelle	6
30	In-six boulon d'angle	6
31	Carter de la pompe	1
32	Roulement à billes	1
33	Bague de roulement	1
34	Reniflard	1
35	rondelle, Reniflard	1
36	Roulement avant	1
37	Ressort rondelle	4
38	In-six boulon d'angle	4

No.	Description	Qty
39	Voyant vitré d'huile	1
40	rondelle, Voyant vitré d'huile	1
41	bouchon de vidange	1
42	tuyau de vidange	1
43	In-six boulon d'angle	4
44	Ressort rondelle	4
45	Plaque	1
46	Plaque Joint d'étanchéité	1
47	Vibreurquin	1
48	Roulement à billes	1
49	Bague de roulement	1
50	Joint d'étanchéité d'huile	1
51	Roulement à billes	1
52	Ressort rondelle	6
53	boulon	6
54	poulie	1
55	rondelle	1
56	boulon	1
57	bague de compression	2
58	à l'huile anneau	1
59	Piston	1
60	Bielle	2
61	Axe de piston	1
62	trou	4
63	bague de compression	2
64	à l'huile anneau	1
65	Piston	1
66	Axe de piston	1

AC908HB Pompe



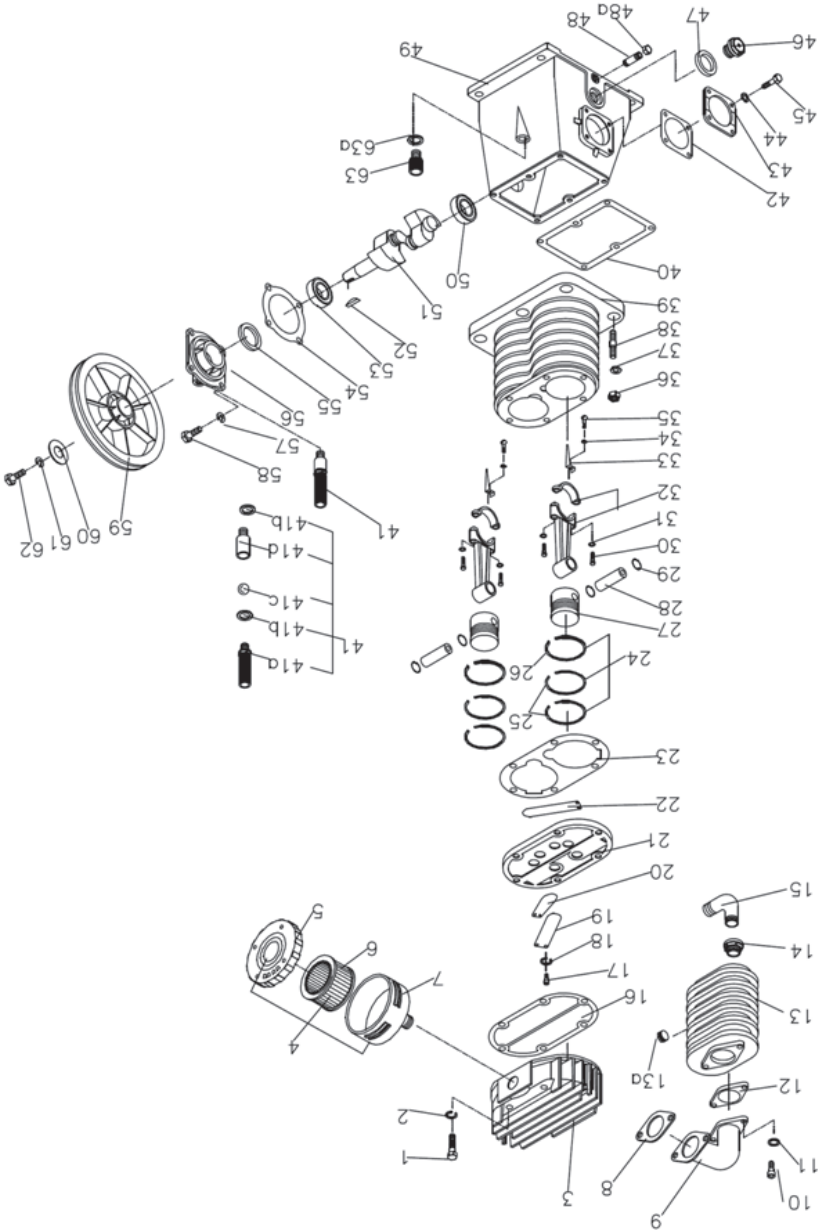
PIÈCES



Liste des pièces

No.	Description	Qty
1	boulon	6
2	Ressort rondelle	6
3	Culasse	1
4	Filtre à air assemblage	1
5	Levilles frontales, Filtre à air	1
6	éléments , Filtre à air	1
7	couverture, Filtre à air	1
8	Joint d'échappement coude	1
9	coude d'échappement	1
10	In-six boulon d'angle	4
11	cuire rondelle	4
12	Joint d'échappement coude	1
13	Refrigidisseur de gaz d'échappement	1
13a	boulon	1
14	l'écrin, d'échappement	1
15	coude d'échappement	1
16	Joint d'étanchéité, tête de cylindre	1
17	M4*10 vis	8
18	rondelle	8
19	sortie de la tulipe	2
20	Plaque de soupape	2
21	Siège de soupape	1
22	Plaque de soupape	2
23	Joint cylindre	1
24	bague de piston	2
25	Anneau de compression	4
26	à l'huile anneau	2
27	Piston	2
28	Axe de piston	2
29	Piston Tige Clip	4
30	In-six boulon d'angle	4
31	Ressort rondelle	4
32	Bielle	2
33	Rondelle déflectrice	2
34	Ressort rondelle	2
35	Vis	2
36	Six Angle l'écrin	6
37	Ressort rondelle	6

No.	Description	Qty
38	clou	6
39	cylindre	1
40	Joint d'étanchéité, cylindre	1
41	Renfard assemblage	1
41a	Renfard	1
41b	rondelle, Renfard	2
41c	Bille	1
41d	Tige, Renfard	1
42	Bague de roulement	1
43	Roulement avant	1
44	Ressort rondelle	4
45	boulon	4
46	Voyant vitré d'huile	1
47	rondelle, Voyant vitré d'huile	1
48	tuyau d'évacuation	1
48a	Six Angle l'écrin	1
49	Carter de la pompe	1
50	Roulement à billes	1
51	Vilbrequin	1
52	Cté demi-lune	1
53	Roulement à billes	1
54	Bouchon arrière du joint d'étanchéité	1
55	Joint d'étanchéité d'huile	1
56	Roulement à billes	1
57	Ressort rondelle	4
58	boulon 8.8	4
59	poulie	1
60	poulie rondelle	1
61	Ressort rondelle	1
62	boulon	1
63	bouchon d'huile	1
63a	rondelle	1

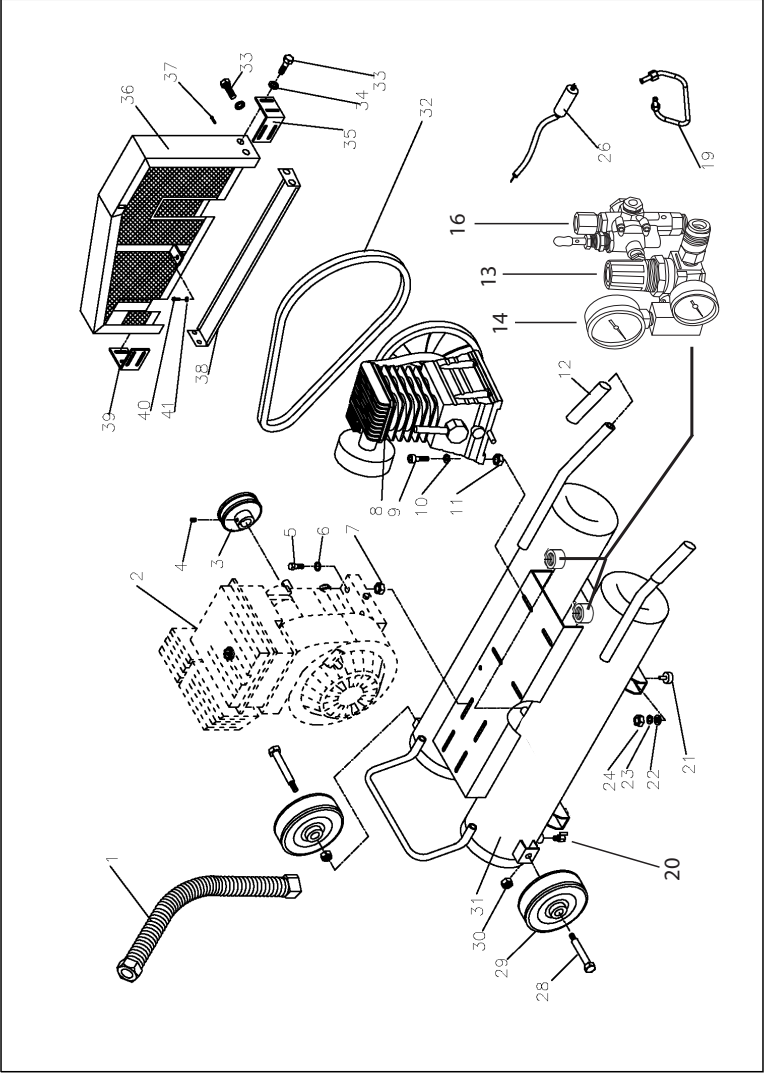


AC6520HB/AC708RB/AC658HB Pompe

REF	LA DESCRIPTION	QTÉ
1	Assemblage de tuyau d'échappement	1
3	Poulie de moteur	1
8	Pompe	1
13	Collecteur	1
19	Tuyau	1
28	Vis,	2
29	Roue de réservoir	2
30	Six écrous d'angle	2
32	Ceinture en V	1
33	Boulon	8
34	Machine à laver	8
35	Siège de sécurité L	1
36	Agent de sécurité	1
37	Vis M5X0.8X8	3
38	Agent de sécurité	1
39	Siège de sécurité S	1
40	Boulon	1
41	Rondelle à ressort	1
14	Manomètre	2
15	Coupleur	2
16	Soupape de sécurité	1

Liste des pièces





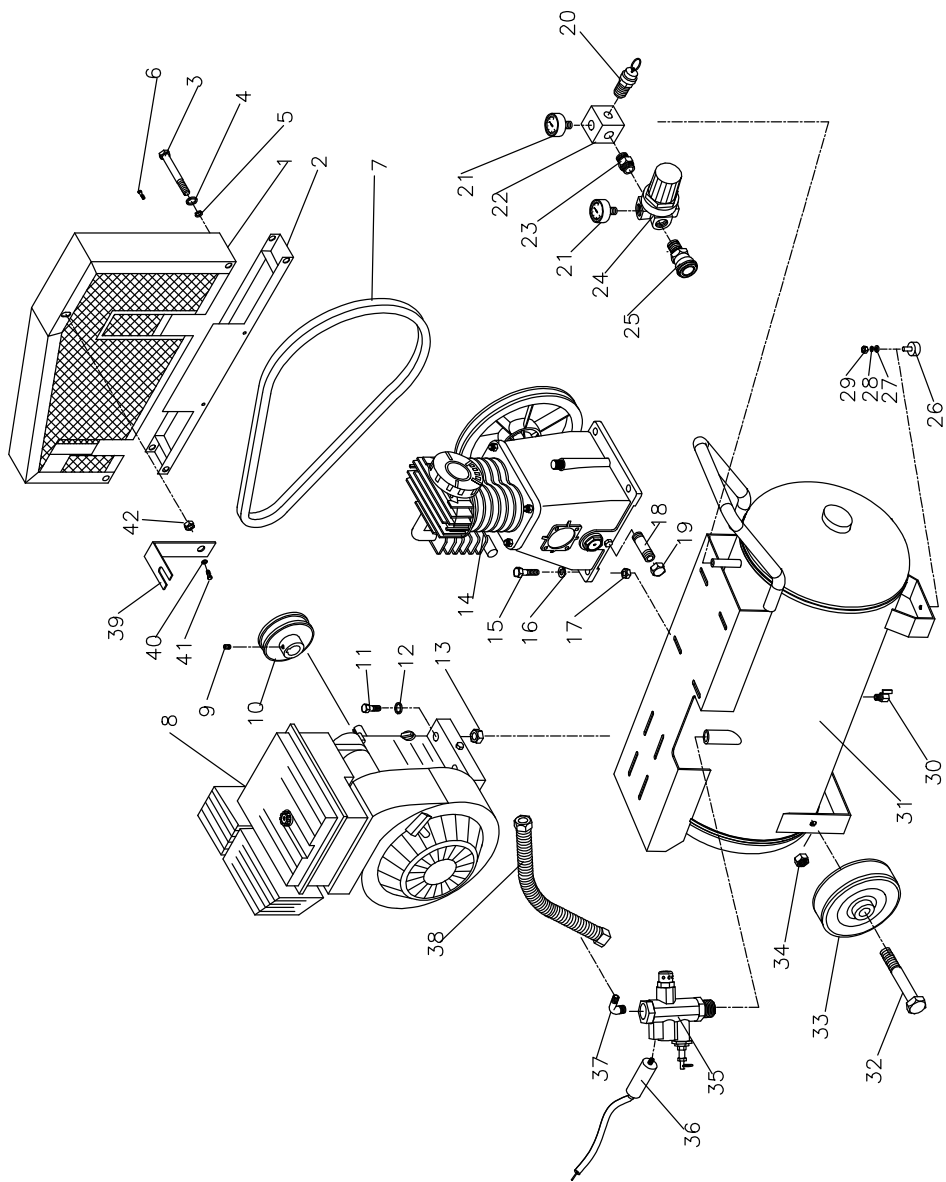
AC908HB2 Pièces

PIÈCES



22	Collecteur	1
23	mamelon	2
24	Régulateur	1
25	Déconnexion rapide	2
26	Pad en caoutchouc pour les pieds	2
27	6 rondelles plates	2
28	Rondelle à ressort	2
29	Six écrous d'angle	2
30	Drain de bête	1
31	Réservoir d'air	1
32	Boulon	2
33	Roue de réservoir	2
34	Six écrous d'angle	2
35	Valve de déchargement pilote	1
36	Pédale de gaz	1
37	Coude d'échappement	1
38	Assemblage de tuyau d'échappement	1
39	liaison	1
40	Machine à laver	1
41	Vis	1
42	Six écrous d'angle	1

No.	Description	Q'ty
1	Agent de sécurité	1
2	Agent de sécurité	1
3	Boulon	2
4	Rondelle à ressort	2
5	Machine à laver	2
6	Vis M5X0,8X8	3
7	Ceinture en V	1
8	Moteur	1
9	In-six Boulon d'Angle	1
10	Pouille de moteur	1
11	Boulon	4
12	Rondelle à ressort	4
13	Six écrous d'angle	4
14	Pompe	1
15	Boulon	4
16	Rondelle à ressort	4
17	Six écrous d'angle	4
18	Tubes de décharge	1
19	Six écrous d'angle	1
20	Soupape de sécurité	1
21	Manomètre	2

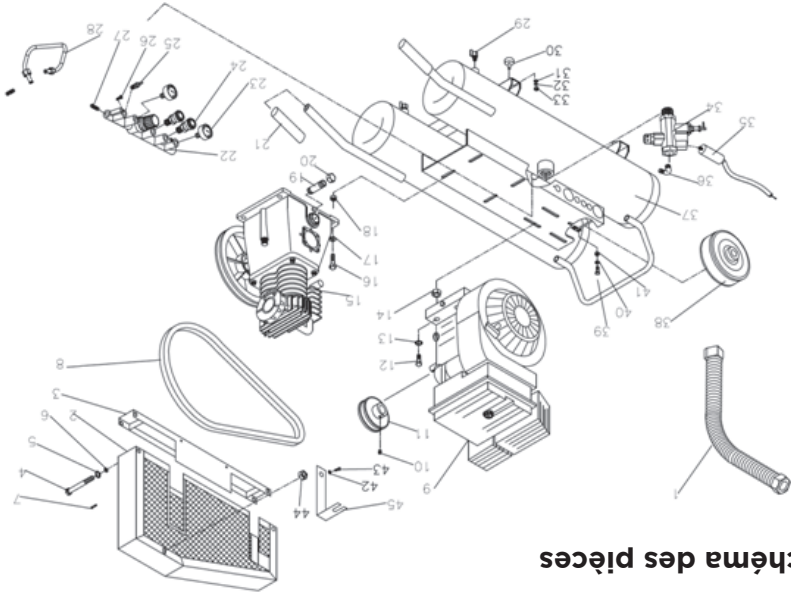


NAC6520HB Pièces

PIÈCES



Schéma des pièces



Liste des pièces

No.	Description	Qty
1	Echappement Assemblée tuyaux	1
2	Ecran protecteur	1
3	Ecran protecteur	1
4	boulon	2
5	rondelle	2
6	Rondelle	2
7	M5x0,8x8 vis	3
8	v-ceinture	1
9	moteur	1
10	In-six boulon d'angle	1
11	Pouille du moteur	1
12	boulon	4
13	rondelle	4
14	Six angle écrou	4
15	Pompe	1
16	boulon	4
17	rondelle	4
18	Six angle écrou	4
19	tuyauterie de refoulement	1
20	Six angle écrou	1
21	Poignée	2
22	Collecteur	1
23	Jauge de pression	2

No.	Description	Qty
24	records rapides	2
25	soupape de sécurité	1
26	Vis	2
27	fileté	2
28	tuyaux	1
29	Bouchon de vidange	2
30	coussinet planétaire	4
31	8 Rondelle plate	4
32	rondelle	4
33	boulon	4
34	soupape pilote	1
35	pédale de gaz	1
36	coude d'échappement	1
37	réservoir d'air	1
38	Roue réservoir	1
39	Vis	2
40	rondelle	2
41	Six angle écrou	2
42	Rondelle	2
43	vis	1
44	Six angle écrou	1
45	lien durée	1

Pendant la période de rodage, les écrous et boulons ont tendance à se desserrer. Après deux semaines, serrer tous les écrous et boulons, y compris les boulons à tête. Chaque mois, vérifier que tous les écrous et boulons sont serrés.

Problème	Cause	Solution
Ne démarre pas	Le moteur ne démarre pas	Vérifier le fonctionnement du moteur à essence
Baisse de pression	Fuite d'air dans la soupape de sécurité	Vérifier la soupape manuellement en la tirant vers le haut sur les anneaux. Si le problème persiste, la remplacer.
	Tube ou raccords lâches	Serrer les raccords
	Filter à air encrassé	Nettoyer ou remplacer
	Courroie lâche	Ajuster la tension de la courroie
	Clapet antiretour défectueux	Remplacer le clapet
Soupape de sécurité qui fuit	Manocontacteur défectueux ou mauvais réglage	Vérifier le réglage et, si le problème persiste, remplacer le manocontacteur
Rejets d'huile dans l'air	Viscosité de l'huile incorrecte	Remplacer avec de l'huile non détergente 20-30
	Trop d'huile dans le carter	Drainer le carter et le remplir au niveau approprié
	Filter à air encrassé	Nettoyer ou remplacer le filter
	Segments de piston usés	Remplacer les segments de piston
Usure excessive de la courroie	Courroie trop lâche	L'ajuster à la tension adéquate
	Courroie trop serrée	Pouille du moteur désalignée
	Motor pulley out of alignment	Aligner la pouille du moteur en ajustant la position du moteur électrique

Charte de Dépannage

Lorsque vous entreprenez un travail d'entretien

- Le compresseur d'air doit être non fonctionnel
- Videz les réservoirs
- Permettez au compresseur de se refroidir

De façon quotidienne

- Vérifiez le niveau d'huile.
- Videz le liquide accumulé dans les réservoirs.
- Vérifiez l'appareil pour toute forme de fuite d'huile.
- Vérifiez l'appareil pour des bruits inhabituels et/ou des vibrations.
- Assurez-vous que toutes les fermetures et les attaches sont sécurisées.

De façon hebdomadaire

- Vérifiez le robinet de sécurité et d'échappement.
- Assurez-vous du bon fonctionnement et de la propreté du filtre à air.
- Nettoyez les trous d'évent sur la jauge graduée destinée aux vérifications d'huile.

De façon mensuelle

- Vérifiez pour toutes fuites d'air.
- Appliquez un mélange d'eau et de savon aux contours des joints.
- Vérifiez s'il y a formation de bulles d'air à l'entour des joints lorsque le compresseur atteint la limite de pression et la pompe s'éteint.
- Régler la tension de la courroie et la remplacer si elle est usée ou endommagée.

Six Mois ou 250 Heures D'Utilisation

- Changez l'huile du compresseur.
- N'utilisez que de l'huile sans détergent de type SAE 20 ou SAE 30.
- Remplacez l'huile plus fréquemment lorsque l'outil est utilisé dans des environnements poussiéreux.

Changement D'Huile

1. Placez une cuvette de vidange d'huile sous le bouchon de vidange du carter.
2. Enlevez la jauge graduée afin de laisser l'air s'échapper du carter.
3. Enlevez le bouchon de vidange du carter.
4. Laissez drainer l'huile complètement
5. Nettoyez et remplacez le bouchon de vidange du carter.
6. Remplissez le carter avec de l'huile sans détergent de type SAE 20 ou SAE 30 jusqu'à ce que le niveau atteigne le point rouge sur le voyant liquide destiné à cet effet. Assurez-vous de ne pas trop remplir.

Consignes d'utilisation

Démarrage Initial

1. Débranchez les outils et/ou les accessoires du tuyau à air.
2. Ouvrez le robinet de vidange du réservoir afin de laisser l'air s'échapper et de prévenir la pression de s'accumuler dans le réservoir à air.
3. Vérifier que la courroie est correctement installée et que sa tension est correcte.
4. Branchez le cordon d'alimentation électrique dans la prise appropriée (voir Directives de mise à la masse)
5. Mettez le compresseur en marche pendant un minimum de vingt minutes dans cette position hors charge afin de lubrifier les articulations et les pistons.
6. Éteignez le compresseur, drainez le liquide des réservoirs et fermez le robinet de vidange.
7. Le compresseur est maintenant prêt pour l'utilisation.

Démarrage

1. Slowly open tank drain by turning clockwise. Allow any water in tank to drain out. Close fitting securely.
2. Before starting the compressor, check for broken components and accessories, and check for damage to the hose.
3. Make sure the power switch is turned "O"(OFF) position.
4. Attach desired tool to the end of the air hose.
5. Turn the switch on the "I"(ON) position.
6. Adjust regulator knob to desired pressure level once the pump has shut off and the compressor has stopped running.

Entreposage

1. Débranchez les outils et/ou les accessoires du tuyau d'air.
2. Prenez connaissance du robinet de vidange sur le dessus du réservoir
3. Ouvrez le robinet de vidange afin de laisser la pression et l'humidité s'échapper du réservoir d'air. L'accumulation d'humidité dans le réservoir est normale avec les compresseurs d'air, il est donc possible qu'un léger montant d'eau s'échappe du réservoir. Vidier le réservoir est essentiel pour la longévité et la fiabilité de votre compresseur d'air.
4. Fermez le robinet de vidage et entreposez le compresseur dans un endroit frais et sec.

Arrêt

1. Placer le levier « ON/OFF » à la position « OFF » afin que l'appareil ne soit pas fonctionnel.
2. Tournez le régulateur de pression dans le sens des aiguilles d'une montre jusqu'à ce qu'il soit complètement fermé. Vérifiez l'indicateur de pression (manomètre) afin de vous assurer qu'il indique bel et bien 0 PSI.
3. Enlevez le tuyau d'air et les autres accessoires branchés au compresseur. Slowly open air tank drain valve to release remaining pressurized air, and tilt unit to fully drain accumulated liquid from air tanks. Moisture build-up in the tank is normal with air compressor, so a small amount of water may come out while draining the tank. Draining the tank is vital for the longevity and safety of your air compressor.
5. Fermez le robinet de vidange.
6. Permettez au compresseur de se refroidir.
7. Nettoyez le compresseur et rangez-le.

Caractéristiques de l'appareil

1. Interrupteur à pression Marche/Arrêt (On/Off) automatique
 Le compresseur est équipé d'un interrupteur à pression Marche/Arrêt (On/Off) automatique.
 Le compresseur ne fonctionne que si l'interrupteur est en position "I" (Marche/On), donc en marche. Une fois que le réservoir aura atteint la pression préétablie (voir les Consignes d'utilisation), le moteur de la pompe s'arrêtera automatiquement. Lorsque l'interrupteur est en position "I", donc en marche, le moteur de la pompe se rallumera automatiquement lorsque la pression aura chuté à son minimum préétabli. Ne jamais laisser le compresseur sans surveillance lorsque l'interrupteur est en position "I" (Marche/On), donc en marche.

2. Régulateur

Le régulateur vous permet de sélectionner une quantité de pression d'air qui sera débitée dans les outils et les accessoires utilisés. Veuillez vous référer aux spécifications de pression de vos outils afin d'établir les bons paramètres sur le compresseur d'air.

3. Indicateur de pression du réservoir

L'indicateur de pression du réservoir fournit une lecture de la pression d'air à l'intérieur du réservoir du compresseur.

4. Valve de sécurité

Ce compresseur est équipé d'une soupape de sûreté qui s'enclenchera automatiquement si la pression du réservoir dépasse le maximum pré-établi. NE JAMAIS tenter de modifier ou d'enlever la soupape de sûreté.

5. Accessoire de drainage du réservoir

De l'eau est produite lorsque de l'air est comprimé. Il est donc primordial de drainer l'eau du réservoir sur ce compresseur de façon fréquente. Si l'appareil n'est utilisé qu'à l'occasion, le réservoir devrait être drainé après et avant chaque utilisation. Pour vider le réservoir, veuillez ouvrir l'embouttement de drainage lentement en tournant dans le sens des aiguilles d'une montre. Une fois l'eau drainée, fermez l'embouttement et sécurisez-le.



Remarque: le réservoir ne se pressurisera pas si l'accessoire de drainage est ouvert.

6. Ecran protecteur

Le mécanisme d'entraînement de courroie est protégé par un carter métallique. Ne pas essayer de modifier ou de retirer ce dispositif de sécurité.

Assemblage

Lisez toutes les consignes de sécurité avant d'utiliser le compresseur.

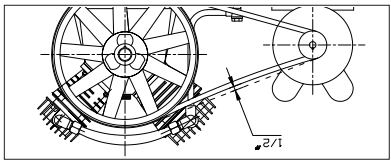
 <p>AVERTISSEMENT</p>	<p>Le compresseur vous est envoyé sans huile dans le carter. Veuillez ajouter l'huile selon les directives ci-dessous.</p>	 <p>huile</p>
---	--	--

	<p>Niveau d'huile OK</p>	<p>Ajoutez de l'huile immédiatement</p>
--	---------------------------------	--

1. Après avoir déballé la cartouche, veuillez enlever toutes les pièces et prendre connaissance de la photo qui figure sur la cartouche. Placez le compresseur d'air sur une surface à niveau plate.

2. Versez l'huile fournie dans le carter jusqu'à ce que le niveau de l'huile atteigne le point rouge sur la vitre destinée à cet effet. Assurez-vous de ne pas trop en verser.

3. Ajuster la tension de la courroie pour s'assurer qu'il y ait un jeu maximum de 12 mm (1/2 po) lorsqu'une pression est exercée en son centre. **Remarque** : Une courroie trop serrée entraîne une surcharge du moteur qui surchauffera. Une courroie trop lâche peut glisser et vibrations peuvent se produire. Attention - Le sens de rotation du volant doit suivre la flèche indiquée sur le protecteur de courroie.



4. Fermez le robinet de vidange situé sur le bas du réservoir d'air en tournant la valve dans le sens des aiguilles d'une montre jusqu'à ce que le robinet soit fermé.

5. Attachez le coupleur d'air à la soupape de régulation du compresseur. Utilisez du ruban isolant de Téflon sur les connexions afin de vous assurer que les joints sont étanches. Ne pas trop serrer les emmanchements.

6. Attachez le filtre à air fourni à l'orifice d'entrée d'air sur la tête de la pompe.

7. Attachez le tuyau à air ou tout autre accessoire désiré (ceux-ci n'étant pas fournis). Utilisez le ruban isolant de Téflon sur les connexions afin de vous assurer que les joints sont étanches. Ne pas trop serrer les emmanchements.

10	De 51 à 100 pieds
12	De 26 à 50 pieds
14	Jusqu'à 25 pieds
Grosseur du fil électrique (A.W.C.)	Longueur du cordon prolongateur

Le compresseur doit être utilisé sur une surface stable et à niveau. Le compresseur à air doit être utilisé dans un endroit propre et bien aéré. Le compresseur nécessite un apport et des sorties d'air libres de toute obstruction et doit être localisé à au moins 18 pouces de tout mur ou autres obstructions.

INSTALLATION ET EMPLACEMENT

1. Inspecter le tuyau avant l'utilisation. Ne pas dépasser la pression de service indiquée sur le tuyau. Ne pas plier, faire un noeud ou érafler le tuyau.
2. Ne pas enrouler le tuyau autour du corps.

Précautions pour les Tuyaux

Ne pas pulvériser les matériaux inflammables dans un endroit de flamme ouverte ni près d'une source d'ignition y compris le compresseur.



AVERTISSEMENT

chimiques toxiques.

18. Suivre les instructions du fabricant de produits chimiques pendant la pulvérisation ou le nettoyage avec des solvants ou produits

compresseur.

de pulvérisation pour réduire l'accumulation de surpulvérisation sur le compresseur. Situer le compresseur aussi loin que possible de l'endroit.

17. Ne pas diriger la peinture ou autre matériel pulvérisé vers le com-
d'incendie.

16. Utiliser un masque/respirateur pendant la pulvérisation et pulvériser dans un endroit bien ventilé pour éviter le risque de blessures et
ou autres matières inflammables.

15. Ne pas fumer pendant la pulvérisation de la peinture, d'insecticides
Précautions du Pulvérisations



dépressurisation du système du compresseur.

dangereux. Lâcher l'air lentement en purgeant l'humidité ou pendant la
14. L'air mouvant peut agiter la poussière et le débris, ce qui peut être
pour de conditions dangereuses comme la rouille et la corrosion.



13. L'accumulation d'humidité cause la rouille qui peut affaiblir le réservoir. Purger le réservoir quotidiennement et l'inspecter périodiquement
voir. Purger le réservoir quotidiennement et l'inspecter périodiquement







9. Garder les doigts loin du compresseur ; les pièces mobiles et chaudes peuvent causer des blessures et/ou des brûlures.
10. Si l'équipement vibre anormalement, ARRÊTER le moteur et inspecter immédiatement. La vibration est généralement une indication de problème.
11. Pour réduire le risque d'incendie, garder l'extérieur du moteur libre d'huile, de solvant ou de graisse excessive. Ne jamais enlever ni essayer d'ajuster la soupape de sûreté. Garder la soupape de sûreté libre de peinture et d'autres accumulations.
12. Ne jamais essayer de réparer ou de modifier un réservoir ! Le soudage, perçage ou autres modifications peuvent affaiblir le réservoir et peuvent résulter en dommage de rupture ou d'explosion. Toujours remplacer un réservoir usé, fendu ou endommagé. Purger le réservoir quotidiennement.

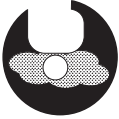

 AVERTISSEMENT	
Les pièces du compresseur peuvent être chaudes, même si l'appareil est hors circuit.	

1. Lire attentivement tous les manuels inclus avec ce produit. Se familiariser avec ce produit, ses commandes et son utilisation correcte.
2. Suivre tous les codes de sécurité locaux ainsi que les codes nationaux. Seules les personnes bien familiarisées avec ces règles d'utilisation doivent être autorisées à se servir du compresseur.
4. Garder les visiteurs à distance et NE JAMAIS laisser les enfants dans l'endroit de travail.
5. Utiliser des lunettes de sécurité et une protection auditive pendant l'utilisation de la pompe ou de l'appareil.
6. Ne pas se tenir debout ni utiliser la pompe ou l'appareil comme une prise.
7. Inspecter le système d'air comprimé et pièces détachées électriques pour toute indication de dommage, détérioration, faiblesse ou fuites avant chaque utilisation. Réparer ou remplacer toutes pièces défectueuses avant l'utilisation.
8. Inspecter le niveau de serrage de toutes les attaches régulièrement.
- Généralités sur la Sécurité**
- Ne pas utiliser un appareil qui a été endommagé pendant le transport, la manipulation ou l'utilisation. Le dommage peut mener à une explosion et peut causer des blessures ou dommages matériels. Puisque le compresseur d'air et les autres composants (filtres, lubrificateurs, tuyaux, etc.) utilisés forment un système de pompage haute pression, il faut respecter les précautions suivantes en tout temps :



<p>Gardez vos mains et vos doigts loin de toute partie de métal d'un outil fonctionnant à l'air comprimé. Des compresseurs à air génèrent une chaleur significative lorsqu'en opération et peuvent donc causer de graves brûlures. Le compresseur demeurera chaud pour une période de temps suite à l'opération et ne devrait donc pas être touché ou bougé jusqu'à ce qu'il refroidisse.</p>	
AVERTISSEMENT 	

<p>Ne dirigez jamais un jet d'air comprimé à une personne ou un animal. Le jet puissant d'air comprimé peut endommager la peau et projeter de la poussière et d'autres petits objets à une haute vitesse, pouvant causer de graves blessures. Veuillez toujours porter des lunettes de sécurité qui rencontrent les spécifications du ANSI Z28.1. N'utilisez rien d'autre que les souffiettes approuvées par la Loi de sécurité et de salubrité au travail.</p>	
AVERTISSEMENT 	



<p>AVERTISSEMENT POUR OUTILS À AIR COMPRIMÉ ET ACCESSOIRES: N'exécédez jamais la limite maximale de pression des outils à air comprimé, des fusils vaporisateurs ou des outils pneumatiques. La pression excessive peut causer des explosions et de graves blessures. Veuillez toujours suivre les consignes recommandées par les manufacturiers à l'égard des paramètres de pression pour tous les outils à air comprimé.</p>	
AVERTISSEMENT 	

<p>AVERTISSEMENT D'AIR RESPIRABLE: Ce compresseur d'air n'est pas conçu ou destiné à produire de l'air respirable. L'air produit par cet engin pourrait possiblement contenir du monoxyde de carbone ou autres vapeurs toxiques.</p>	
<p>AVERTISSEMENT </p>	

Ne respirez pas l'air produit par le compresseur ou d'un appareil respiratoire qui y est branché.

<p>AVERTISSEMENT DE FEU: Évitez les environnements dangereux. N'utilisez pas le compresseur près de l'essence ou autre matériau combustibles. Gardez votre lieu de travail bien illuminé. La formation d'étincelles par le moteur ou le broyage de métaux pourrait causer un feu. Ne vaporisez pas de matériaux combustibles en proximité d'une flamme nue ou une source d'inflammation, ce qui inclut le compresseur d'air lui-même. Ne dirigez pas de peinture ou autre forme de matériaux vaporisés en direction du compresseur.</p>	
<p>AVERTISSEMENT </p>	

Veillez lire et suivre toutes directives d'utilisation du matériel que vous vaporisez. Assurez-vous de porter un appareil respiratoire conçu pour votre utilisation particulière.


<p>AVERTISSEMENT POUR LE RÉSERVOIR D'AIR: Drainez le liquide du réservoir d'air de façon quotidienne, ou après chaque usage, en utilisant le robinet de vidange situé sur le dessous du réservoir d'air du bas. Si le réservoir n'est pas proprement vidé, une accumulation de vapeurs d'eau pourrait causer de la rouille, ce qui affaiblirait le réservoir et pourrait engendrer une explosion violente de celui-ci. Vérifiez périodiquement les réservoirs pour des conditions dangereuses telle la corrosion.</p>	
<p>AVERTISSEMENT </p>	

Ne jamais tenter de réparer ou de modifier le réservoir ou ses attaches-ments. Le soudage, le forage ou toute autre modification peut affaiblir le réservoir, ce qui pourrait engendrer des dommages de rupture ou d'explosion. Ne jamais enlever ou tenter d'ajuster le manostat, la soupape de sûreté ou autres pressions d'utilisation réglées en usine.

Conservez ces consignes
RÈGLES DE SÉCURITÉ



Ceci est le symbole d'alerte de sécurité. Il est utilisé afin de vous avertir d'un risque potentiel de blessure. Suivez toujours les indications suivant ce symbole afin d'éviter des blessures ou même la mort.

Ce symbole () est utilisé avec un mot d'avertissement (DANGER, ATTENTION, AVERTISSEMENT), un pictogramme ou un message d'avertissement pour vous informer du risque.













DANGER indique un risque qui, s'il n'est pas évité, entraînera de graves blessures ou la mort.

AVERTISSEMENT indique un risque qui, s'il n'est pas évité, pourrait entraîner de graves blessures ou la mort.

MISE EN GARDE indique un risque qui, s'il n'est pas évité, pourrait entraîner des blessures mineures.

Remarque indique une situation qui pourrait entraîner des dommages matériels. Suivez ces consignes afin d'éviter ou de réduire les risques de blessures ou de mortalité.

Symboles de risque et significations

			
CHUTE	INJECTION DE LIQUID	ENGRENAGE ROTATIF	LIRE LE MANUAL
			
EXPLOSION	INCENDIE	ELECTROCUTION	VAPEURS TOXIQUES
			
CONTRECOUP	SURFACE CHAUD	OBJET PROJETES	SOL GLISSANT

Consignes de Sécurité

- Veuillez lire le manuel de l'utilisateur attentivement et en entier avant d'opérer ce compresseur.
- Gardez le manuel avec vos dossiers importants afin de conserver les consignes de sécurité, les procédures opérationnelles et la garantie.
- Après avoir déballe votre nouveau compresseur, veuillez SVP l'examiner attentivement afin de détecter tout dommage ayant possiblement eu lieu lors du transit.
- Ne pas opérer le compresseur d'air si ce dernier a été endommagé pendant l'envoi, la manipulation ou lors d'un mauvais usage.
- Ces dommages pourraient entraîner une explosion, ce qui pourrait causer de graves blessures ou des dommages à votre propriété.
- Toutes pièces endommagées doivent être réparées ou remplacées selon le besoin avant l'opération de ce compresseur d'air.
- Assurez-vous que tous les écrous, les boulons et les ferrures d'attache sont fixés solidement.
- Pour toutes questions, veuillez communiquer avec notre département du service à la clientèle aux numéros apparaissant sur la couverture arrière de ce manuel d'instructions.

_____ Nom du Détaillant:
 _____ Date d'Achat:
 _____ Numéro de Série:
 _____ Numéro de Modèle:

IDENTIFICATION DE PRODUIT

Il est recommandé d'enregistrer l'identification du produit dans ce manuel. Il est important d'avoir ces numéros sous la main si vous avez besoin de contacter le support technique (1-866-850-6662). Les numéros du modèle et de série peuvent être trouvés sur la boîte et sur l'autocollant de l'appareil.

Enregistrement et Identification du Produit



Vous devez enregistrer votre produit sur notre site internet pour la garantie. Svp visitez notre site internet sur ce lien et remplir toutes les informations requises. bepowerequipment.com/product-registration

Enregistrement de la Garantie du Produit

Le propriétaire/opérateur doit avoir une compréhension approfondie du fonctionnement, de l'entretien et dangers associé à l'utilisation de cet appareil. Il faut comprendre que c'est la responsabilité du propriétaire/opérateur d'utiliser cet appareil en toute sécurité tel que mentionné dans ce manuel. Ce manuel est considéré comme une pièce de l'appareil et doit être gardé dans un endroit sécuritaire. Si l'appareil est revendu ou donné à quelqu'un d'autre, ce manuel doit être inclus.

Responsabilité du Propriétaire/Opérateur

Toutes les informations dans ce manuel sont basées sur les informations disponibles lors de l'impression. Be Power Equipment se réserve le droit de faire des changements à n'importe quel moment sans préavis ou obligation. Lire ce manuel vous permettra d'avoir les meilleurs résultats pour préparer, mettre en marche, entretenir et éviter des blessures personnelles ou dommage à votre appareil. En sachant comment opérer votre appareil adéquatement, vous serez en mesure de le montrer aux autres personnes qui opéreraient l'appareil.

Félicitations pour votre achat d'un compresseur d'air BE Power Equipment. Vous pouvez être sûr que cette machine a été construite et testée dans un souci de performance et de qualité optimales.





Lisez le guide de l'utilisateur entièrement avant d'utiliser l'appareil pour la première fois.



Utilisation du guide de l'utilisateur

Merci d'avoir choisi notre compresseur! Ce guide de l'utilisateur contient de l'information concernant l'utilisation et l'entretien du compresseur.

Assurez-vous de le lire attentivement avant de l'utiliser. Les consignes contenues dans ce guide peuvent aider l'utilisateur à obtenir de meilleurs résultats d'utilisation tout en assurant une utilisation sécuritaire.

Tous les informations et diagrammes contenus dans ce guide correspondent aux modèles les plus récents au moment de la publication. Nous mettons beaucoup d'efforts afin que ces informations soient le plus exactes possible. Nous nous garantissons le droit de modifier ce guide de l'utilisateur, en tout ou en partie, sans avis préalable ni obligation.

Assurez-vous de toujours garder ce guide avec l'appareil, même s'il change de propriétaire.



Consignes d'utilisation

14 Démarrage initial

14 Démarrage

14 Entreposage

14 Arrêt

Entretien

15 Lorsque vous faites l'entretien ou des réparations

15 Quotidien

15 Hebdomadaire

15 Mensuel

15 Six mois ou 250 heures d'utilisation

15 Changement d'huile

Dépannage

16 Tableau de dépannage

Pièces

17 Schéma et liste des pièces AC708RB / AC658HB / AC908HB

18 Pièces AC6520HB

20 Schéma AC908HB2 et liste des pièces

23 AC708RB / AC658HB / AC6520HB Pompe et liste de pièces

24 Pompe AC908HB et liste des pièces

26 AC908HB2 Pompe et liste des pièces

Garantie

28 déclaration de garantie

4	Introduction
4	Utilisation du guide de l'utilisateur
4	Spécifications
5	Identification du produit
5	Enregistrement du numéro d'identification du produit.
6	Consignes de sécurité
7	Règles de sécurité
7	Signification des symboles de sécurité
10	Informations générales concernant la sécurité
11	Précautions d'arrosage
11	Manipulation des boyaux
11	Installation en emplacement
11	Cordons prolongateurs
12	Consignes d'assemblage
12	Assemblage
13	Caractéristiques du produit
13	Marche/Arrêt (ON/OFF) automatique
13	Régulateur
13	Jauge de pression du réservoir
13	Valve de sécurité
13	Raccord de drain du réservoir
13	Écran protecteur

GUIDE DE L'UTILISATEUR

AC6520HB
AC908HB2
AC908HB
AC708RB
AC658HB

**COMPRESSEUR À
GAZ SUR ROUES**

