



# PARTS BREAKDOWN

## 3" WATER PUMP

MODEL:WP-3065HL



**BEPOWEREQUIPMENT**

**.COM**

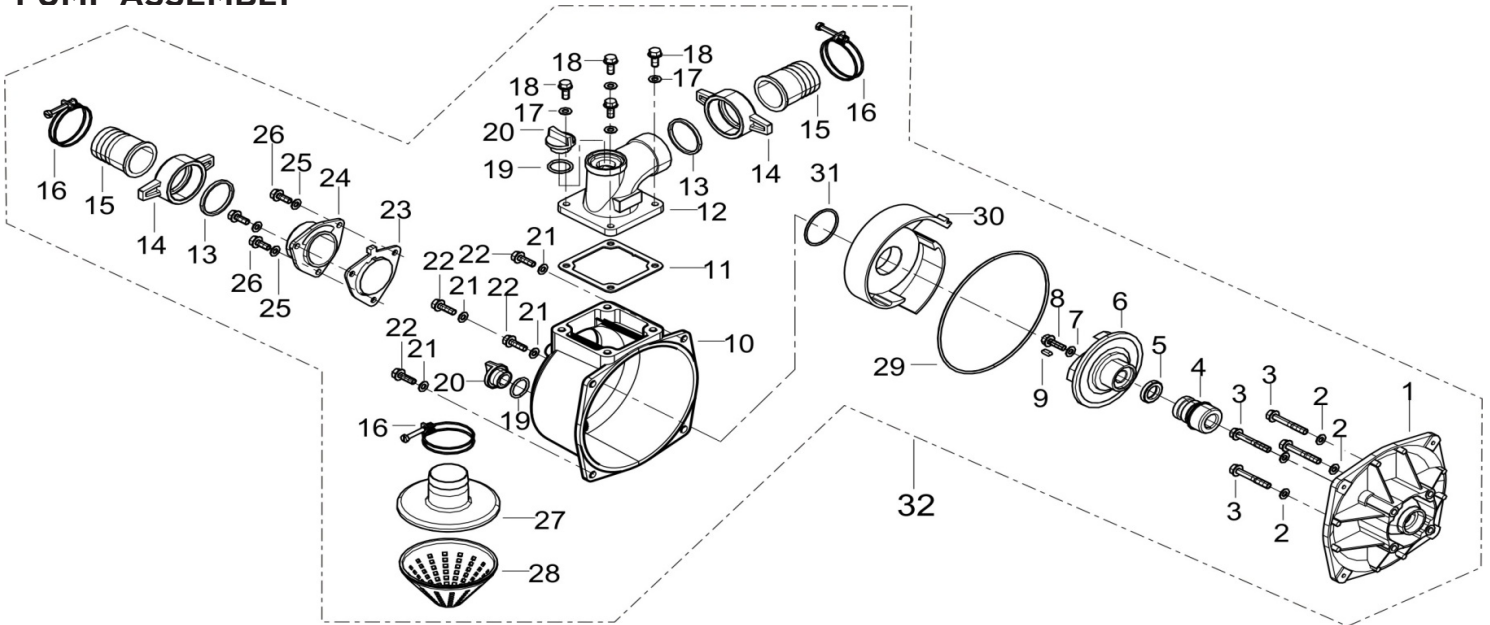


# PARTS BREAKDOWN

## 3" WATER PUMP

MODEL:WP-3065HL

### PUMP ASSEMBLY



REF #	DESCRIPTION	QTY	BE PART #
1	Water Pump Joint	1	50.003.207
2	Washer	4	50.003.200
3	Bolt	4	
7	Washer	1	
8	Bolt	1	
9	Key	1	
17	Washer	4	
22	Bolt	4	50.003.202
4	Mechanical Seal	1	
5	Porcelain Seal	1	
11	Outlet Gasket	1	
23	Inlet Gasket	1	
29	Joint Cushion	1	50.003.201
31	Whorl Case Sealing Ring	1	
6	Impeller	1	50.003.206
10	Pump Body	1	50.003.204
12	Outlet	1	
24	Inlet	1	50.002.203
19	Plug Washer	2	
20	Plug	2	50.003.208
27	Strainer Top	1	
28	Strainer Bottom	1	50.003.205
30	Whorl Case	1	
**	Complete Frame and Pump Assembly	1	85.150.203

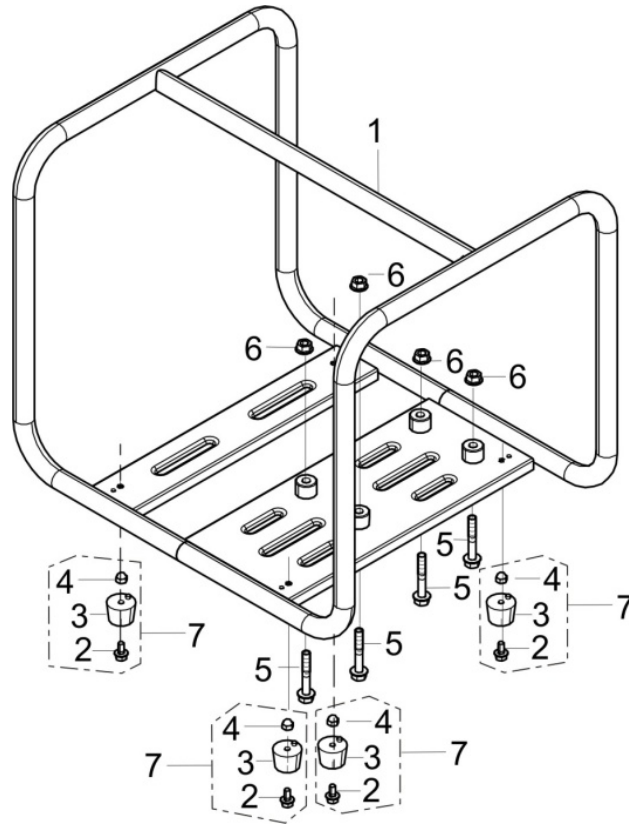


# PARTS BREAKDOWN

## 3" WATER PUMP

MODEL:WP-3065HL

### FRAME ASSEMBLY



REF #	DESCRIPTION	QTY	BE PART #
2	Bolt	4	50.002.205
3	Engine Frame Shock Absorption Seat	4	
4	Acorn Nut	4	

**\*CHECK WITH HONDA FOR ENGINE BREAKDOWN AND PARTS**

# BE

**POWER EQUIPMENT**

---

If you need technical assistance call:

**1-866-850-6662**

(8:00am - 4:30pm PST, Mon - Fri)