

# BE

## ELECTRIC PRESSURE WASHER



P2014EN

Operation Manual

94237-DM

**BEPOWEREQUIPMENT**

**.COM**

## TABLE OF CONTENTS

Product Specifications..... 2

Package Contents..... 3

Hardware Contents ..... 3

Safety Information..... 4

Assembly Instructions..... 8

Operating Instructions..... 13

Care and Maintenance..... 16

Pump Saver ..... 18

Troubleshooting..... 19

Limited Warranty ..... 20

Replacement Parts List..... 21

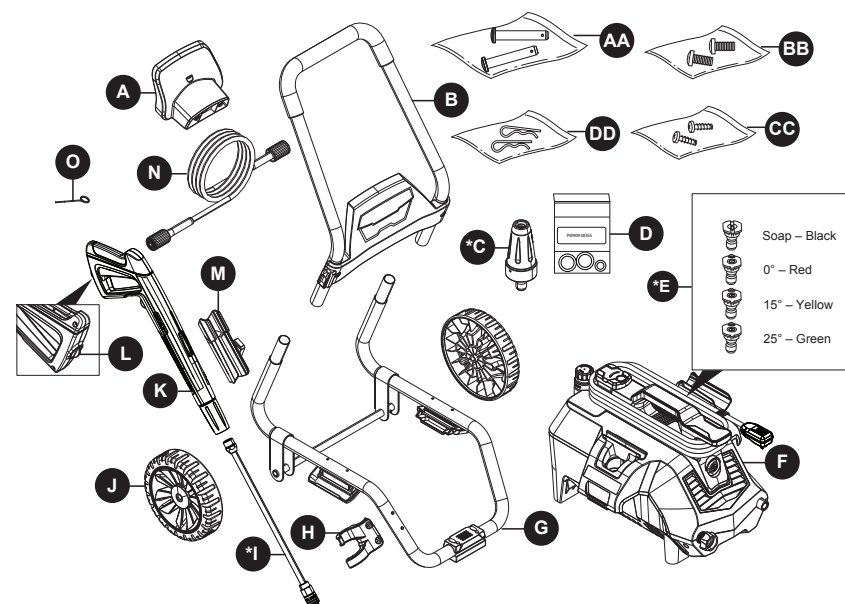
## PRODUCT SPECIFICATIONS

SPECIFICATIONS						
Model	Max PSI (lbs/sq. in.)	Max GPM (Gal/per min)	Cold Water	Volts	Amps	Weight (lbs.)
P2014EN	2050	1.4	✓	120	13	36.4

**⚠ WARNING**

This product can expose you to chemicals including lead, which is known to the State of California to cause cancer and birth defects or other reproductive harm. For more information, go to [www.P65Warnings.ca.gov](http://www.P65Warnings.ca.gov). Wash hands after handling.

## PACKAGE CONTENTS



PART	DESCRIPTION	QTY
A	Hose Holder	1
B	Handle	1
*C	Rotary Nozzle	1
D	O-Ring Replacement Kit	1
*E	Quick Connect Nozzles	4
F	Power Washer Unit	1
G	Lower Frame	1
H	Nozzle Holder	1
*I	Extension Lance	1
J	Wheels	2

PART	DESCRIPTION	QTY
K	Spray Gun	1
L	Spray Gun Trigger Lock	1
M	Spray Gun Holster	1
N	Soft PVC Hose	1
O	Nozzle Cleaning Wire	1
AA	Axle Pin	2
BB	Screw	2
CC	Screw	2
DD	Cotter Pin	2

\*Packaged on the power washer unit.

## HARDWARE CONTENTS



**AA** Axle Pin Qty. 2

**BB** Screw Qty. 2

**CC** Screw Qty. 2

**DD** Cotter Pin Qty. 2

## SAFETY INFORMATION

Please read and understand this entire manual before attempting to assemble, operate, or install the product.

This manual contains information that relates to PROTECTING PERSONAL SAFETY and PREVENTING EQUIPMENT PROBLEMS. It is very important to read this manual carefully and understand it thoroughly before using the product. The symbols listed below are used to indicate this information.

**DANGER**

Potential hazard that **will result in serious injury or loss of life.**

**WARNING**

Hazard that **could result in serious injury or loss of life.**

**CAUTION**

Potential hazard that **may result in moderate injury or damage to equipment.**

**Note:** The word “Note” is used to inform the reader of something the operator needs to know about the tool.

**WARNING**

To reduce the risk of injury, the user must

read and understand the instructions before using this product.

1. Warning – When using this product basic, precautions should always be followed, including the following
2. Read all the instructions before using the product
3. Know how to stop the product and bleed pressures quickly. Be thoroughly familiar with the controls.
4. Keep operating area clear of persons
5. Do not overreach or stand on unstable support. Keep good footing and balance at all times.
6. Follow the maintenance instructions as specified in the manual
7. To avoid personal injury and/or damage to property and to maximize your power washing experience, carefully follow all of the safety tips, instructions, warnings and safeguards and become familiar with all of the controls.
8. This power washer conforms to CSA and other safety and consumer standards. **DO NOT** modify or rebuild any part of your power washer.
9. **DO NOT** use your power washer when you are under the influence of alcohol or drugs. Use this power tool carefully and only when you are alert.
10. Watch your balance and footing while using your power washer. Surfaces become slippery when wet and are

## SAFETY INFORMATION

extra slippery when using a detergent or cleaner.

11. **NEVER** operate the power washer in bare feet, sandals, or open-toed shoes.
12. When using the power washer near children, make sure they are closely supervised by an adult to avoid injury. **NEVER** let a child use the power washer.
13. Keep fingers, hands, feet and any part of your body clear of the stream of high pressure water. The powerful spray can cause blindness or blast holes in the skin. It can break a window if you are too close when you pull the trigger on the spray gun.
14. **ALWAYS** wear eye protection to prevent injury to eyes when operating the power washer.
15. To avoid mishaps or injury, **ALWAYS** use the trigger safety lock when not using the power washer even if the spraying stops for a moment.
16. The power washer is equipped with a Ground Fault Circuit Interrupter (GFCI) which greatly reduces the chance of electric shock while the unit is in use. If replacement of the plug or cord is needed, use only identical replacement parts.
17. Point the spray gun in a safe direction when beginning a power washing session.
18. **NEVER** spray directly at a person, animal, electrical device or the unit

itself.

19. When first using the spray gun, hold the spray gun and lance with two hands when pulling the trigger (one hand to pull the trigger and the other to stabilize the gun assembly) until you get used to the “kickback” from the spray gun.
20. When you press the power switch to turn off the power washer, water pressure may remain in the system. To discharge the pressure, point the spray gun in a safe direction and pull the trigger.
21. **NEVER** spray flammable liquids.
22. **NEVER** use the power washer in areas that contain combustible dust, liquids or vapors.
23. Avoid contact of the pressure hose with sharp objects and examine the hose regularly. Replace if damaged. Due to the high pressure involved, it cannot be repaired if cut or damaged.
24. Only use detergent specifically formulated for power washers and follow instructions on the detergent’s label.
25. Protect eyes, lungs, and skin from exposure to detergent. Dish or laundry soap is too thick and will clog the nozzle of your detergent bottle.

**IMPORTANT:** Store the power washer indoors to prevent the water in the unit from expanding under freezing

conditions. When the water freezes and expands, your power washer will be damaged and become inoperable. Or, if storing outdoors, it is recommended you use pump saver (not included) to protect pumps.

- 26. **NEVER** use hot water with your power washer. It will overheat and damage the high pressure pump.
- 27. **NEVER** leave the power washer unattended while it is powered "ON".
- 28. **ALWAYS** turn the water supply "ON" before turning the power washer power to "ON". Running the pump dry will cause damage to the internal components.
- 29. **NEVER** use a water supply to your power washer that exceeds 150 PSI maximum.
- 30. **NEVER** disconnect the high pressure hose from the power washer while the system is pressurized.
- 31. **NEVER** permanently engage the trigger mechanisms on the spray gun.
- 32. **NEVER** operate the power washer unless all components are properly and securely connected.
- 33. **NEVER** allow the power washer pump to run for more than one minute after you have turned off the water supply.

This can cause the motor and pump to overheat and fail.

- 34. **NEVER** use lances or other parts that are not compatible for this specific BE unit.
- 35. **NEVER USE AN EXTENSION POWER CORD** since it defeats the effectiveness of the GFCI and increases the chance of electrocuting the operator.
- 36. **NEVER** spray any electrical outlet with your power washer.
- 37. Inspect the power cord before using. **DO NOT** use it if it is damaged.

**KEEP THESE INSTRUCTIONS FOR FUTURE REFERENCE.**

### Servicing of a Double-Insulated Appliance

Ground Fault Circuit Interrupter Protection:

This pressure washer is provided with a ground-fault circuit-interrupter (GFCI) built into the plugs of the power-supply cord. This device provides additional protection from the risk of electric shock. Should replacement of the plug or cord become necessary, use only identical replacement parts that include GFCI protection.

In a double-insulated product, two systems of insulation are provided instead of grounding. Grounding means are not provided for a double insulated product, nor should grounding means be added to the product.

Servicing a double-insulated product

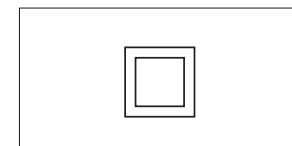
requires extreme care and knowledge of the system, and should only be done by qualified service personnel.

Replacement parts for a double-insulated product must be identical to the original parts.

A double-insulated product is marked with the words "Double Insulation" or "Double Insulated". Product may also be marked with symbol shown here.



### Double Insulated Product

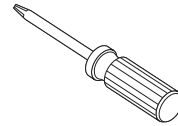


## PREPARATION

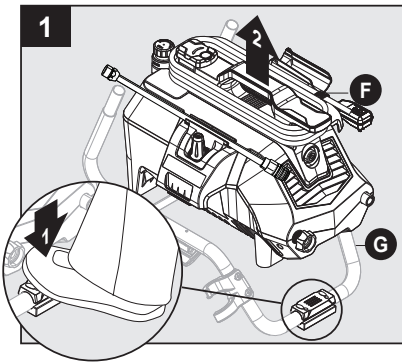
Before beginning assembly of product, make sure all parts are present. Compare parts with package contents list and hardware contents list. If any part is missing or damaged, **DO NOT** attempt to assemble the product.

Estimated Assembly Time: 5 minutes

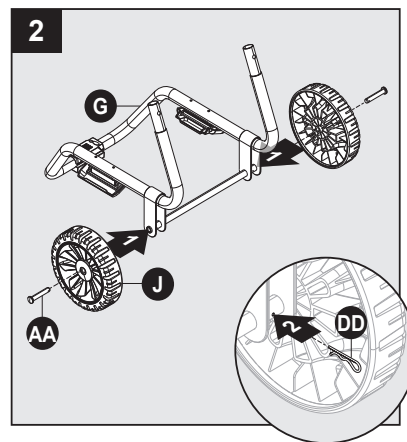
Tools Required for Assembly (not included): Phillips screwdriver



## ASSEMBLY INSTRUCTIONS



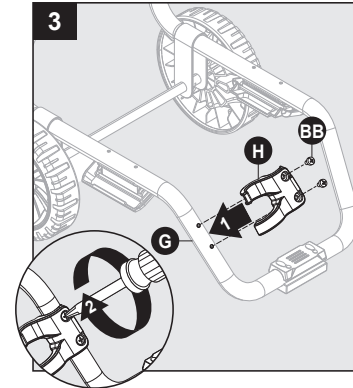
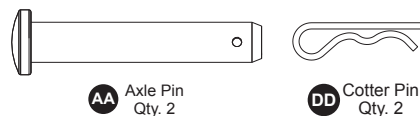
Place a foot on the pad at the front of the lower frame (G) and then lift the power washer unit (F) off the frame. Set pressure washer (F) to the side.



### Frame Assembly

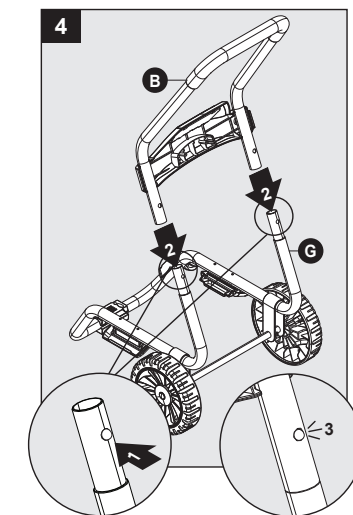
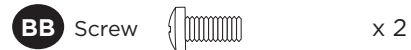
Install axle pins (AA) and wheels (J) to lower frame (G). Secure with cotter pins (DD).

### Hardware Used:

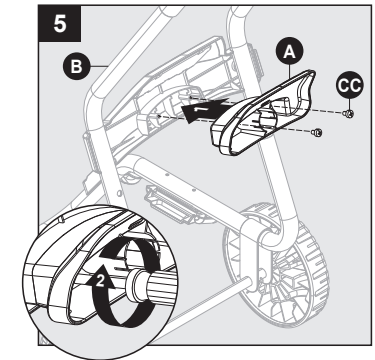


Install nozzle holder (H) to lower frame (G). Secure with two screws (BB).

### Hardware Used:



Press buttons on lower frame (G) extensions and install handle (B). Lower frame extensions will click when handle is in proper position.

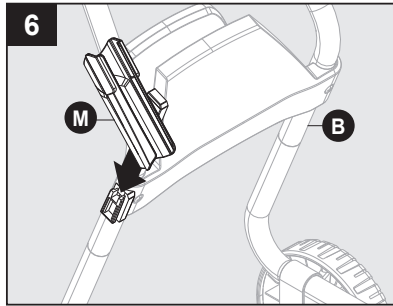


Install hose holder (A) onto back side of upper handle (B). Secure with two screws (CC).

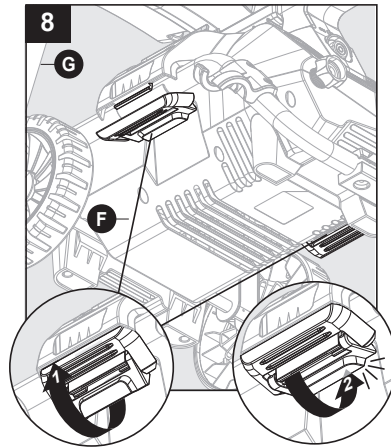
### Hardware Used:



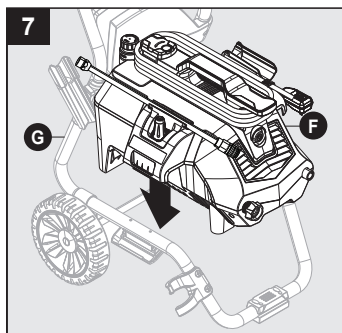
## ASSEMBLY INSTRUCTIONS



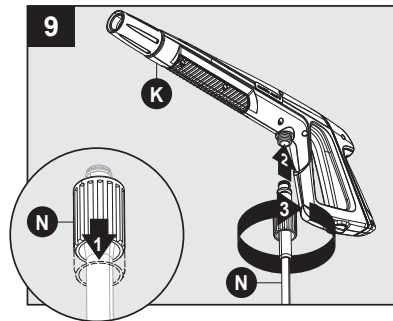
Slide spray gun holster (M) into place on the upper handle (B).



Pull upward on latches that are located on sides of lower frame (G). Once upper latch is flush with the lower lip, push down until lower latch clicks into place.

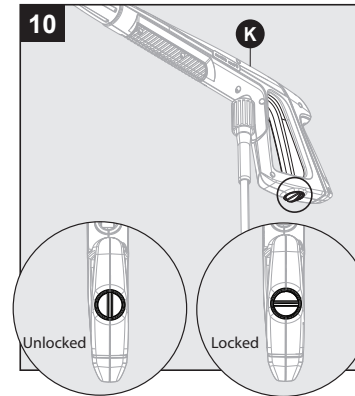


Place power washer unit (F) into position on the lower frame (G).



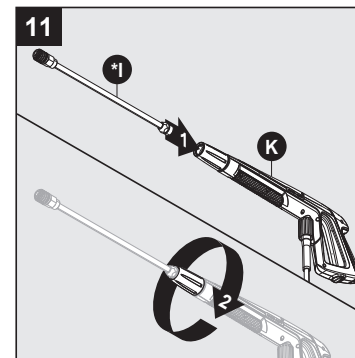
Pull back on collar at one end of soft PVC hose (N). Push firmly to connect hose to spray gun (K). Twist collar to secure. Confirm hose is locked into spray gun by slightly pulling on them. The hose is now securely attached to spray gun.

## ASSEMBLY INSTRUCTIONS

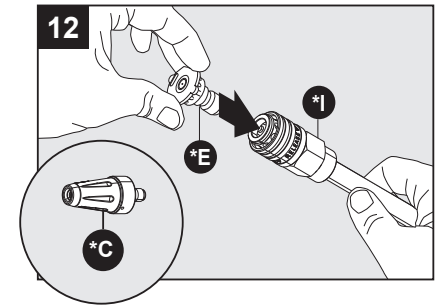


Locking Spray Gun (before Lance installation) To lock trigger of spray gun (K), point gun away from you and turn dial to lock ("3" and "9" position). Squeeze or pull trigger to make sure it is locked. Always leave in locked position when not in use. This ensures the gun is in "safe" mode until it is ready for use. Turn dial to unlock ("12" and "6" position) to release spray gun trigger.

**Note:** The trigger lock prevents trigger from being accidentally engaged.

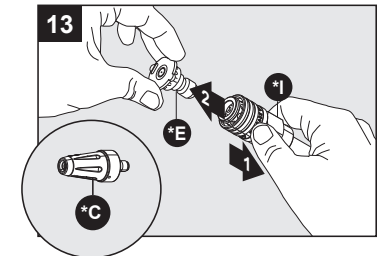


**Extension Lance installation**  
While spray gun (K) is in the locked position, insert lance (\*I) into the end of spray gun by inserting and turning clockwise until fully in place. To remove, turn counterclockwise.



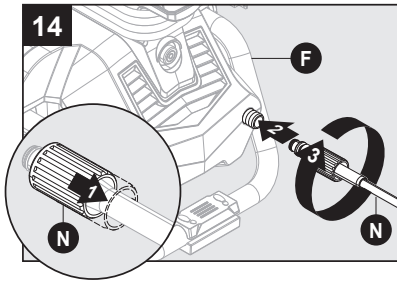
Attach nozzle (\*E) and Rotary nozzle (\*C) into end of lance (\*I) by pressing selected nozzle into place. It will make a "click" sound when firmly in place.

**Note:** Always push safety lock button to lock trigger when changing lances and nozzles to ensure that they do not accidentally eject with force during removal.

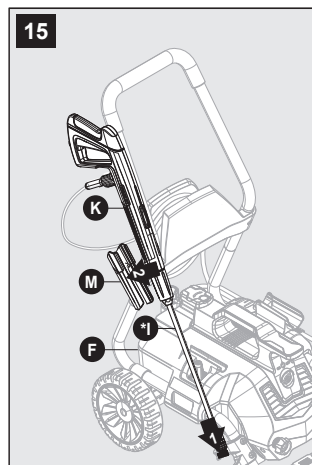


To remove nozzle (\*E) and Rotary nozzle (\*C), pull back on collar of lance (\*I) and pull out nozzle.

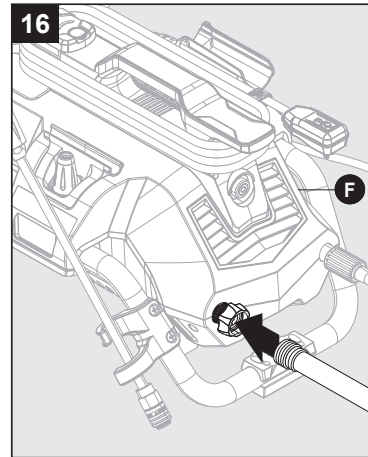
## ASSEMBLY INSTRUCTIONS



Pull back on collar at the other end of soft PVC hose (N). Push firmly to connect hose to power washer unit. Twist collar to secure. Confirm hose is locked into power washer unit by slightly pulling on hose. The hose is now securely attached.



Insert extension lance (\*I) into nozzle holder (H), and press spray gun (K) with extension lance (\*I) into spray gun holster (M).

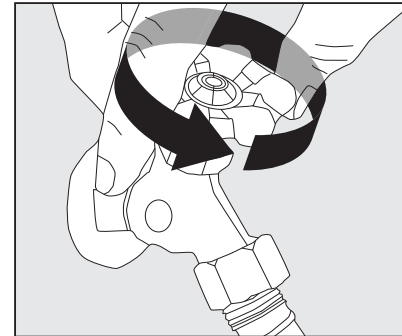


Attach a garden hose to built in garden hose adapter. The water is now connected to your power washer.

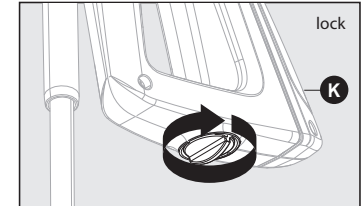
**Note:** Flush out garden hose before connecting to garden hose adapter

You have now completed the assembly and are ready to begin using your electric power washer. Read and observe all safety instructions.

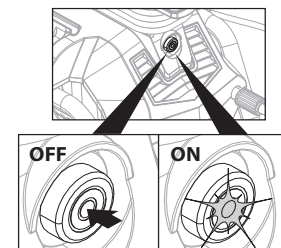
## OPERATING INSTRUCTIONS



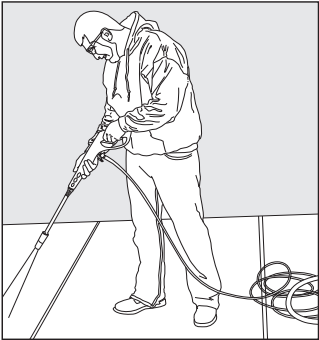
- Turn on water supply at the faucet to completely open.
- Make sure the power switch is off (light will be off).
- Unwind the power cord completely and plug into a grounded 120 volt outlet.
- Turn the safety lock button on the spray gun to unlocked. While pointing the spray gun in a safe direction, squeeze the trigger on the spray gun until there is a steady stream of water, letting the water and air out of the hose.
- Push the power button to turn the unit on (green power light will turn on). The unit will turn on for 1 - 2 seconds and shut off. This is a normal function of the auto start feature.



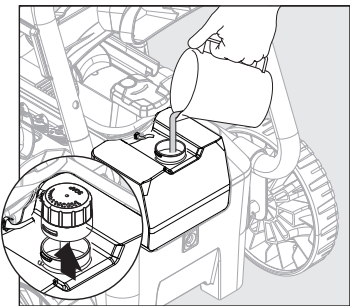
- Squeeze the spray gun trigger to begin pressure washing.
- Begin power washing by squeezing the trigger on the spray gun all the way into the handle.
- Release the spray gun trigger to stop the power washer.
- Allow the motor to come to a complete stop before squeezing the trigger again.
- Squeezing rapidly will cause the auto start feature to miss an on/off cycle that may prevent it from turning on while squeezing trigger after rapid squeezing. Use slow, deliberate trigger pulls to avoid this.



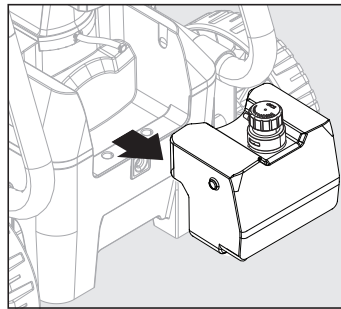
## OPERATING INSTRUCTIONS



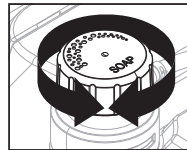
- **Always** test a small area to avoid chance of damaging the surface.



- When using detergent (not included), fill with a properly formulated detergent or cleaner with water ratio according to instructions on the container. Close detergent tank when done filling.



- When removing the detergent tank, squeeze the clamp and remove the small hose from detergent tank. Pull the detergent tank straight out. To replace tank, push straight in and then reattach hose with clamp.

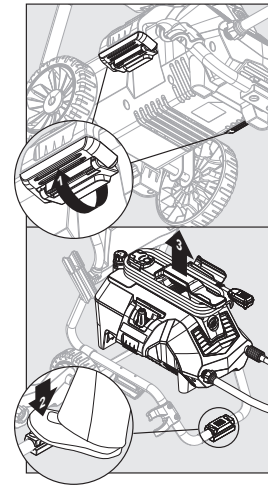


- The power washer will pull a ratio of water to detergent of 10:1 or 10 parts water to 1 part detergent. The detergent concentration can be adjusted by turning the detergent knob on the top of the machine. Turn it left for more concentration or turn it right for less concentration.

### Removing Power Washer Unit from Frame for Handheld Operation

- Locate latches on the lower side of frame. Unlock latches by pulling downward on the latches. Place a foot on the pad at the front of the lower frame and then lift the power washer unit off the frame.

## OPERATING INSTRUCTIONS



### Operation Tips

- If you hear the motor run intermittently when the trigger is not being squeezed, that is normal. The pump is priming itself so it is ready to operate when the trigger is squeezed. Turn off the power washer if not being used after five minutes.
- The o-rings on the bayonet end of the nozzle should be cleaned regularly and lubricated with non-water soluble grease such as petroleum jelly (not included).
- Keep the nozzle cleaning wire for use in unclogging the nozzle. If you lose the cleaning wire, a straightened paper clip also works.

### How to Avoid Damaging Surfaces

- Damage to surfaces being cleaned

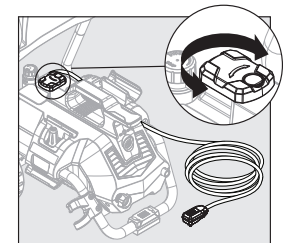
occurs because the impact force of the water pressure exceeds the durability of the surface. Bare wood can be penetrated, paint can be peeled off, etc. You can vary the force of your power washer by controlling:

1. The angle of the surface being cleaned
2. The distance of the nozzle from the surface being cleaned

- Never use a narrow high pressure stream of water on soft surfaces susceptible to damage.
- Use the 25° angle quick connect nozzle when cleaning windows. Be sure to place the nozzle approximately 4 to 5 ft. away from the window with the nozzle at 45° angle. Squeeze the trigger and vary the spray pattern and angle until optimum cleaning efficiency is achieved.

### Using Power Cord

- Remove the power cord from the unit by swiveling the cord hook to the right or left. The power cord then can be slid off to either side of the power washer unit.
- Swivel cord hook back to center when ready to wrap the cord back into place for storage.





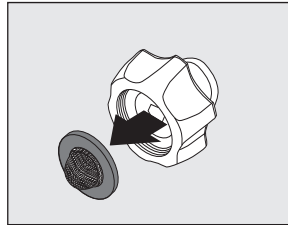
## CARE AND MAINTENANCE

## Detergents

- Use detergents designed for power washers. Hardware stores or home centers also have power washer detergents for different cleaning projects. The cleaning solution should be the consistency of water in order to prevent clogging your detergent bottle and nozzle.
- This system applies detergent under low pressure. The cleaning power of the detergents is enhanced when applied with low pressure and enough time is given to break down dirt and grime. The combination of low pressure and chemical action is very effective and can be better than scrubbing if applied properly. **Always** spray detergent on a dry surface. **Do not** pre-soak area. Wetting the surface first dilutes the detergent and reduces its cleaning ability. **Do not** allow detergent to dry on surface. On vertical surfaces being cleaned, apply detergent to lower surfaces and work your way up to prevent detergent from causing streaks in the dirt and grime. Rinse detergent by pressure washing from bottom up for same reason.
- If a stain is particularly tough, it may be necessary to reapply the detergent and use a bristled brush to scrub the stain. Subsequent power washing after brushing should successfully complete your cleaning job.

## Cleaning Garden Hose Adapter

- The screens inside the adapter should be cleaned periodically. Rinse with clean water, and then place back in the adapter.

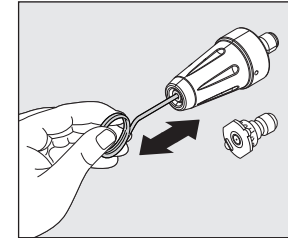


## Cleaning Nozzles

- A clogged or partially clogged nozzle can cause significant reduction of water pressure coming out of the nozzle and/or cause the unit to pulsate while spraying.
- Turn off the unit.
- Turn off the water supply to the unit.
- Relieve any pressure trapped in the hose by squeezing the trigger 2 - 3 times, then lock the spray gun by turning the dial to lock ("3" and "9" position).
- Using the nozzle tip cleaner provided (or an unfolded paper clip), insert the wire into the nozzle hole and move back and forth until debris is dislodged.
- Back flush water through the nozzles using garden hose and highest pressure available (either standard water nozzle or use your thumb over the nozzle to

## CARE AND MAINTENANCE

create water pressure for back flush).



## Storage

- When your pressure washing session has been completed, turn off the power switch. Unplug the power cord from the outlet. Turn off the water supply. Pull the trigger on the spray gun 2 - 3 times to drain out the excess water and to release any remaining water pressure. Do not allow the power washer to run with no water flowing through it.
  - Remove detergent tank and clean completely. Residual chemical will stick to the container and can cause the detergent injector to clog and not function properly.
  - Remove high pressure hose from spray gun and unscrew the other end of the high pressure hose from the power washer.
  - Remove lance from the gun. Place the gun in the holder on the side. Make sure to discard any remaining detergent from the tank. Flush the tank and nozzle head with fresh water to prevent clogging.
- Hook the power cord around the L-shaped tab on the top of the machine.
  - The pressure hose is stored on the hose hook located on the back of the handle.
- **DO NOT store the power washer where it is exposed to freezing temperatures unless you use an antifreeze designed for pumps.** It is recommended that you use this antifreeze (not included) for storing in freezing temperatures. Freezing will damage the pump unless this is added to the power washer. If not using or if storing your power washer for more than one month, it is also recommended that an antifreeze is used to protect the pump.

## PUMP SAVER

**Pump Saver** is a product that protects and prolongs the life of the pump. This will keep the internal parts of the pump lubricated and protected from freezing while being stored in ALL climates. It also assists with protection from internal corrosion. (16 oz. bottle, BE part number **85.490.046**)

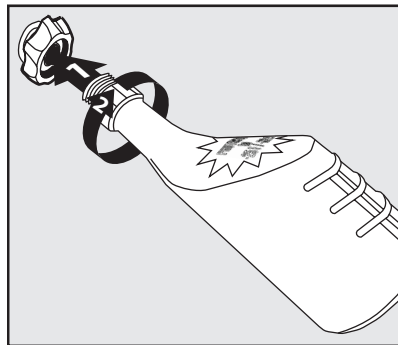
### Pump Saver Instructions

Follow the previous storage instructions for your power to prevent staining, protect the surface under the power washer from any excess fluid. Wear ear and eye protection when using this product.

Turn unit off and disconnect the gun before adding pump protector. Unscrew threaded top from bottle to remove seal and reattach threaded top to bottle. Remove black cap from bottle.

- 1) Place top of pump saver bottle onto the garden hose adapter previously installed to pressure washer inlet.
- 2) Secure pump saver bottle by turning in a clockwise direction.
- 3) Turn power on. Turn the power washer off as soon as the Pump Saver begins to exit the HP hose.

**Note:** Instructions on Pump Saver Bottle are generic and not model specific



## TROUBLESHOOTING

If you have any questions regarding the product, please call customer service at **1-866-850-6662**.

PROBLEM	CORRECTIVE ACTION
Unit will not turn on.	<ol style="list-style-type: none"> <li>1. Make sure the power washer is OFF. Plug in the electrical cord to a grounded 120 volt outlet (no electrical extension cord should be used). If the electrical cord will not plug into your outlet, your electrical outlet is not properly grounded and should not be used. Use another electrical outlet.</li> <li>2. If this did not correct the problem, try plugging into another electrical outlet and repeat the above procedure. If it is still not working, call Customer Service</li> </ol>
The high pressure (HP) hose will not connect/stay connected to the spray gun. Is this a spray gun problem?	<ol style="list-style-type: none"> <li>1. In most cases, the spray gun is not the problem. The problem is the rubber sleeve covering the fitting at the end of the high pressure hose. It has likely slipped up toward the metal tip. To fix: wiggle, twist and/or pull the rubber sleeve down until the entire tip is visible plus an 1/8 in. of the metal fitting below the tip. Now try to insert the hose tip into the spray gun. It should "click" into place and will not come out until the hose is released by pushing in the lever on the underside of the gun. You may cut away the end of the sleeve with a sharp knife if unable to move the sleeve down. Be careful not to cut or puncture the hose.</li> </ol>
The unit is running but there is no water flow.	<ol style="list-style-type: none"> <li>1. Check the water source. Unclog the nozzle on the lance. (See nozzle cleaning instructions under "Cleaning nozzles".) Or take off the lance and spray out of the spray gun. This will indicate if the problem is with the lance.</li> </ol>
Why is water leaking where the high pressure hose connects to the spray gun?	<ol style="list-style-type: none"> <li>1. Make sure there is an o-ring (included with package contents) at the end of the metal tip of the high pressure hose. If no o-ring is present, the connection between the hose and spray gun will leak.</li> </ol>
I can't remove the lance from the spray gun. What should I do?	<ol style="list-style-type: none"> <li>1. All lances are attached and removed from the spray gun in the same manner. Insert the end of the lance into the spray gun. Press the spray gun and lance together (about a 1/8 in.) and turn the collar of the gun clockwise. The lance will lock in place. Remove the lance by reversing this procedure. Press the spray gun and lance together and turn counter clockwise. The lance will slide out.</li> <li>2. Hold the spray gun and lance in an upright position with the nozzle end on the floor. Push the whole assembly straight down to loosen the connection, and then follow the removal process again. You may also spray soapy water or a lubricant in the area where the lance connects to the spray gun.</li> </ol>
The power washer turns on for 2 seconds, shuts off, and will not turn back on. Do I have a defective unit?	<ol style="list-style-type: none"> <li>1. When the water is connected, the accessories are assembled properly, and the power is turned on, the power washer may turn on for 1 - 2 seconds to prime the pump. It automatically shuts off and waits for the spray gun trigger to be pressed. When the trigger is pressed, water starts flowing through the pump. The water sensor in the pump "senses" the moving water and automatically turns the power washer on.</li> <li>2. Turn the power off, hold in the trigger on the spray gun so that you have a steady stream of water. While you are holding the trigger open on the spray gun, at the same time, turn the power on.</li> </ol>

## LIMITED WARRANTY

This product is under warranty to the original retail consumer against defects in material and workmanship for a period of 1 (one) year and is a complete “bumper to bumper” warranty including the spray gun, the high pressure hose and all accessories from the date of purchase. The warranty is not transferable or assignable. This warranty covers replacement parts. This limited one year warranty applies only to products used in consumer applications and is void in rental or any commercial application. Reasonable care must be used in conformity with operation and maintenance instructions in the owner’s manual and quick start guide. Failure to follow these instructions will void this warranty. This warranty gives you specific legal rights and you may also have other rights which vary from state to state.

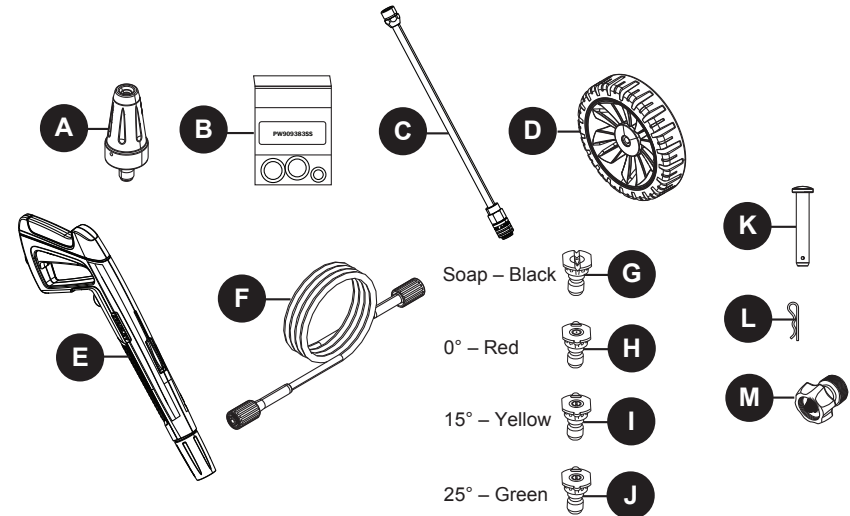
### Warranty Process

To place a warranty claim, go to the support section of BE’s website at [bepowerequipment.com](http://bepowerequipment.com) and fill out the online form with the following information:

1. Dealer Information (Contact name and number)
2. Product Model Number and Serial Number
3. Electronic Copy of Customer Invoice
4. Explanation of defect or how it is not performing properly
  - a) Troubleshooting steps already taken
5. Pictures of product including:
  - a) Picture of whole unit showing condition
  - b) Picture of serial number
  - c) A close up picture of problem area (leaking oil, water, broken part, etc)

You can also contact our technical support at **1-866-850-6662**.

## REPLACEMENT PARTS LIST



PART	DESCRIPTION	PART #
A	Rotary Nozzle	PW4220680
B	O-Ring Replacement Kit	PW909383SS
C	Extension Lance	PW3400960
D	Wheel	PW4620640
E	Spray Gun	PW4620650
F	Soft PVC Hose	PW4221550
G	Soap QC Nozzle	PW4221470
H	0° QC Nozzle	PW4221430
I	15° QC Nozzle	PW4221440
J	25° QC Nozzle	PW4221450
K	Axle Pin	PW4620370
L	Cotter Pin	PW4620380
M	Garden Hose Adapter	PW4221580



# **BE**

**POWER EQUIPMENT**

---

If you need assistance with the  
assembly or operation of this Electric  
Pressure Washer please call

**1-866-850-6662**