



OPERATIONS & PARTS MANUAL

FOR MODELS:

- BE-LS5TELL

PURCHASE DATE	MODEL NO.	SERIAL NUMBER
DEALER		

TABLE OF CONTENTS

3	IMPORTANT SAFETY INFORMATION
4	SAFETY DECALS
8	LOG SPLITTER OVERVIEW
11	UNPACKING & ASSEMBLY
12	PRE-OPERATION INSTRUCTIONS
15	MAINTENANCE
17	TROUBLE SHOOTING GUIDE
18	EXPLODED VIEW & PARTS LIST
21	PACKING LIST

IMPORTANT SAFETY INFORMATION

⚠ WARNING

Read and thoroughly understand all instructions and safety information before assembling or operating this log splitter. Failure to do so may cause serious injury or death. Do not allow anyone to operate this log splitter who has not read this manual. As with all power equipment, a log splitter can be dangerous if assembled or used improperly. Do not operate this log splitter if you have doubts or questions concerning safe operation, Call a local authorized dealer.



This **SAFETY SYMBOL** identifies important safety messages in this manual. Failure to follow this important safety information may result in serious injury or death.

INTENDED USE

NEVER use this log splitter for any purpose other than splitting wood. It is designed for this use only. Any other use can cause serious injury or death.

PROTECTIVE EQUIPMENT

BEFORE operating this log splitter make sure that you wear safety gear such as goggles or safety glasses, steel toes shoes and tight fitting gloves (without loose cuffs or draw strings). Always wear protective hearing device when operating this log splitter.

NEVER wear loose clothing or jewelery that can be caught by moving parts of the log splitter. Keep clothing and hair away from all moving parts when operating this log splitter.

SAFETY DECALS

Make sure that all the safety warning decals are in good condition and are readable. Always replace missing or defaced decals contact a local authorized dealer.

SAFETY DECALS


Make sure all warning decals are in good condition and readable. Always replace missing or defaced decals.

5 Ton Log Splitter

OPERATING INSTRUCTIONS

- Read and understand safety and operating instructions in owner's manual completely.
- Start the motor.
- Grab the sides of the log to load it onto the rail, aligning it against the end wedge.
- If necessary, stabilize the log by holding its sides, NEVER
- by the ends or the top.
- Move the control handle DOWN to extend the cylinder, driving the ram against the log to the end wedge.
- Release the control handle UP to retract the cylinder, the ram will automatically return to its starting position.


UP



Control Handle

DOWN

WARNING!

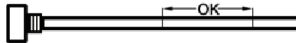


- Read and understand safety and operating instructions in owner's manual completely. Failure to do so may result in serious injury or death.
- Always wear safety glasses, safety shoes, protective hearing devices, and tight fitting gloves during operation.
- Set up log splitter on clear, level, dry and solid ground. Keep off slopes and slippery surfaces. Always block the wheels.
- No one under the age of 18 should operate log splitter.
- Only one person is permitted to load logs and operate controls. Keep bystanders, children, pets and helpers at least 25 ft. away.
- Always stay in operator zone specified by manufacturer during operation.
- Keep work area clear of split wood, debris, and other obstacles.
- Do not leave motor running unattended.
- Only split wood in the direction of the grain.
- Do not operate log splitter under the influence of alcohol or drugs.
- Keep hands, feet and all body parts away from splitting wedge, end plate, partially split wood, and moving parts.
- Do not stand on or reach over log splitter.
- Do not refill hydraulic oil while motor and pump are hot or running.
- Never check for leaks with your hands during operation. High pressure fluid can escape from small holes and cause serious injury by puncturing skin which could result in blood poisoning.
- Do not split wood larger than recommended capacity.
- Do not force the log splitter. It is already designed to operate at its maximum speed and tonnage. If you experience especially hard wood, DO NOT continue to push on controls for over 3 seconds.
- Do not attempt to remove split logs until the ram completes its cycle.
- NEVER use your hands to remove a jammed log.

CAUTION!

NOTICE





- Maintain oil level within the range specified on dipstick. Check before each use when oil is cold. Never run the log splitter without sufficient oil. The hydraulic pump could become damaged.



- Change hydraulic oil every 100 hours of use. The reservoir of this log splitter is filled with AW32 universal hydraulic oil. Dextron II transmission fluid can be used as a substitute should AW32 oil not be available. Do NOT mix AW32 hydraulic oil with Dextron II transmission fluid. Drain the reservoir if you wish to use Dextron II.
- Before operation, LOOSEN the vent plug (wing nut) by turning it counterclockwise about 4-5 rotations. This will allow air to pass into and out of the reservoir during operation. Failure to loosen the vent plug will cause pressure to build up in the reservoir which could damage seals and affect normal operation. RETIGHTEN the vent plug after every use. Do not move the log splitter without retightening the vent plug. Do not over tighten.


Motor YY80AL-2 115V AC, 60 Hz, 1.8 HP, 12A
3400r/min, IP54, INSC: B


WARNING!

-  Do NOT expose to rain or use in damp locations!
-  Only use a 3-prong grounding plug and a 3-pole outlet!
-  When using an extension cord, ensure that it uses a 3-prong plug.
-  Check that the switch, cable, and plug are not damaged before each use to avoid electric shock or short circuit.

CAUTION!


- Never tamper with the motor or run it at excessive speeds.
- Always unplug from power source while repairing or adjusting the log splitter.
- Never overload the motor. The motor could overheat, blow a fuse, or trip a circuit breaker.
- Do NOT leave the motor running unattended.





ON

Depress the button
















OFF

Release the button

SAFETY DECALS

Some of the following symbols may be used on this tool. Please study them and learn their meaning. Proper interpretation of these symbols will allow you to operate the tool better and safer.

SYMBOL	NAME	DESIGNATION/EXPLANATION
V	Volts	Voltage
A	Amperes	Current
Hz	Hertz	Frequency (cycles per second)
W	Watt	Power
min	Minutes	Time
	Alternating Current	Type of current
=	Direct Current	Type or a characteristic of current
no	No Load Speed	Rotational speed, at no load
	Class II Construction	Double-insulated construction
.../min	Per Minute	Revolutions, strokes, surface speed, orbits etc., per minute
	Wet Conditions Alert	Do not expose to rain or use in damp locations.
	Read The Operator's Manual	To reduce the risk of injury, user must read and understand operator's manual before using this product.
	Eye, Face & Ear Protection	Always wear safety goggles or safety glasses with side shields, earplugs and a face shield when operating this product.
	Safety Alert	Precautions that involve your safety.
	Wear Gloves	Always wear nonslip, heavy-duty protective gloves when operating this product.
	Wear Safety Footwear	Always wear nonslip safety footwear when operating this product.
	Keep Bystanders Away	Always keep bystanders at least 25 ft. (7.5 m) away.
	Keep Hands Away	Always keep hands away from the wedge and the ram.
	Pinch Point	Never touch the cylinder bed, ram, or wedge during machine operation.
	Rotating & Moving Parts Alert	Beware of rotating and moving parts, serious injury could occur.
	Electric Shock Alert	Never touch damaged or exposed wires while the machine is connected to a power source.

SAFETY

The following signal words and meanings are intended to explain the levels of risk associated with this product.

DANGER

indicates an imminent hazardous situation, which if not avoided, will result in death or serious injury.

WARNING

Indicates a potential hazardous situation, which if not avoided, will result in death or serious injury.

WARNING

To avoid serious personal injury, do not attempt to use this product until you read thoroughly and understand completely the operator's manual. If you do not understand the warnings and instructions in the operator's manual, do not use this product. Call your local authorized dealer for assistance.

WARNING

The operation of any power tool can result in foreign objects being thrown into your eyes, which can result in severe eye damage. Before beginning power tool operation, always wear safety goggles or safety glasses with side shields and when needed, wear full face shield and ear plugs. We recommend a Wide Vision Safety Mask for use over eyeglasses or standard safety glasses with side shields. Always use eye protection which is marked to comply with ANSI 787.1.

CAUTION

Indicates an imminent hazardous situation, which if not avoided, may result in minor or moderate injury.

CAUTION



(WITHOUT SAFETY ALERT SYMBOL) Indicates a situation that may result in property damage.

SERVICE AND REPAIR

Servicing requires extreme care, knowledge and should be performed only by a qualified service technician. For service we suggest you return the product to your nearest authorized service center for repair. When servicing, use only identical replacement parts.

WARNING

To avoid serious personal injury, do not attempt to use this product until you read thoroughly and understand completely the operator's manual. If you do not understand the warnings and instructions in the operator's manual, do not use this product. Call your local authorized dealer for assistance.

 	<p>WARNING: The operation of any power tool can result in foreign objects being thrown into your eyes, which can result in severe eye damage. Before beginning power tool operation, always wear safety goggles or safety glasses with side shields and when needed, wear full face shield and ear plugs. We recommend a Wide Vision Safety Mask for use over eyeglasses or standard safety glasses with side shields. Always use eye protection which is marked to comply with ANSI 787.1.</p>
--	--

ELECTRICAL SAFETY

EXTENSION CORDS

Use only 3-wire extension cords that have 3- prong grounding plugs and 3-pole receptacles that accept the tool's plug. When using a power tool at a considerable distance from the power source, use an extension cord heavy enough to carry the current that the tool will draw. An undersized extension cord will cause a drop in line voltage, resulting in a loss of power and causing the motor to overheat. Use the chart provided below to determine the minimum wire size required in an extension cord. Only round jacketed cords listed by Underwriter's Laboratories (UL) should be used.

**AMPERE RATING (ON TOOL FACEPLATE)						
	0-2.0	2.1-3.4	3.5-5.0	5.1-7.0	7.1-12.0	12.1-16.0
CORD LENGTH	WIRE SIZE (A.W.G)					
25ft	16	16	16	16	14	14
50ft	16	16	16	14	14	12
100ft	16	16	14	12	10	-

**Used on 12 gauge- 20 amp circuit

NOTE: AWG = American Wire Gauge

When working with tools outdoors, use an extension cord that is designed for outside use. This indicated by the letters "WA" on the cord's jacket. Before using an extension cord, inspect it for loose or exposed wires and cut worn insulation.

⚠ WARNING

Keep the extension cord clear of the working area. Position the cord so that it will not get caught on lumber, tools or other obstructions while you are with a power tool. Failure to do so can result in serious personal injury.

Check extension cords before each use. If damaged replace immediately. Never use tool with a damaged cord since touching the damaged area could cause electrical shock resulting in serious injury.

ELECTRICAL CONNECTION

This tool is powered by a precision built electric motor. It should be connected to a power supply that is 115 volts, 60 Hz, AC only (normal household current). Do not operate this tool on direct current (DC). A substantial voltage drop will cause loss of power and motor will overheat. If the product does not operate when plugged into an outlet. Double check the power supply.

SPEED & WIRING

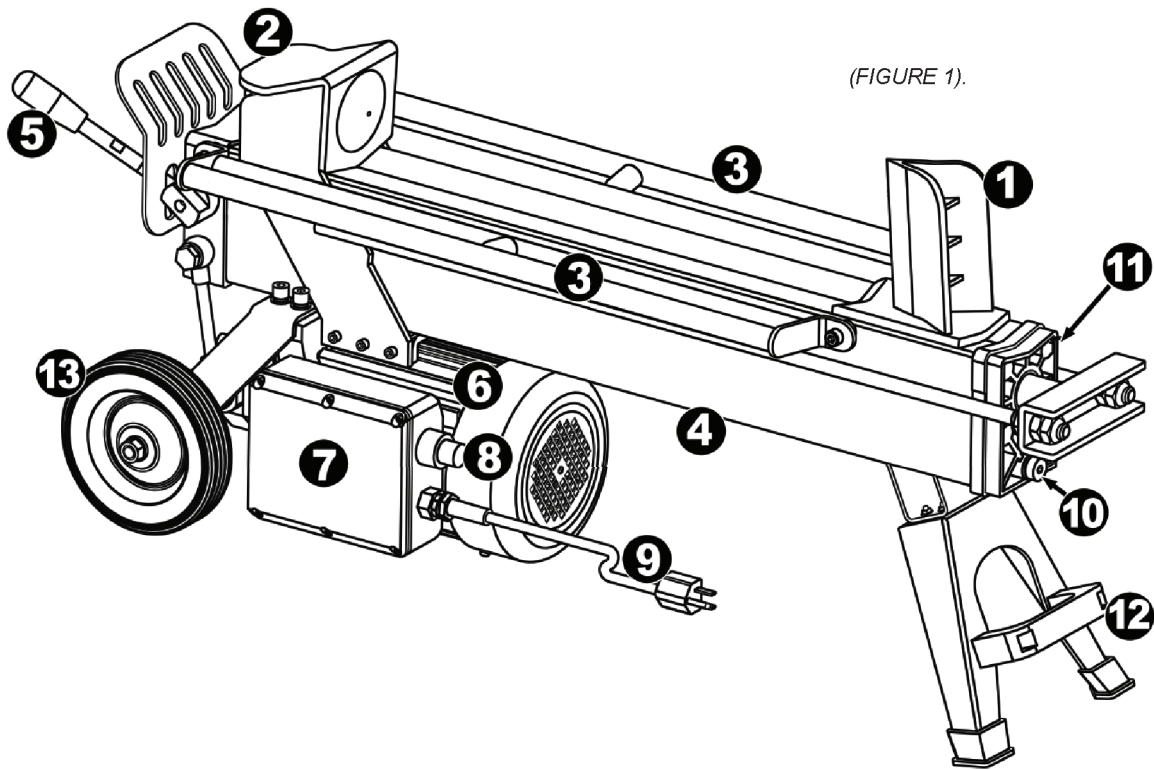
The speed is not constant and decreases under a load or with lower voltage. For voltage, the wiring in a shop is as important as the motor's horsepower rating. A line intended only for lights cannot properly carry a power tool motor. Wire that is heavy enough for a short distance will be too light for a greater distance. A line that can support one power tool may not be able to support two or three tools.

GROUNDING INSTRUCTIONS

In the event of malfunctions or breakdown, grounding provides a path of least resistance for electric current to reduce the risk of electric shock. The tool is equipped with an electric cord having an equipment-grounding conductor and a grounding plug. The plug must be plugged into a matching outlet that is properly installed and grounded in accordance with all local codes and ordinances.

Do not modify the plug provided. If it will not fit the outlet, have the power outlet installed by a qualified electrician. Improper connection of the equipment-grounding conductor can result in a risk of electric shock. The conductor with insulation having an outer surface that is green with or without yellow stripes is the equipment-grounding conductor. If repair or replacement of the electric cord or plug is necessary, do not connect the equipment-grounding conductor to a live terminal.

LOG SPLITTER OVERVIEW



REF NO.	DESCRIPTION
1	End Wedge
2	Sliding Ram
3	Support Legs, Log Holder
4	Machine Body / Oil Reservoir
5	Control Handle
6	115V Motor
7	Motor Control Box
8	On/Off Switch
9	Electrical Cable w/Plug
10	Oil Drain Bolt w/Dipstick
11	Vent Plug
12	Towing Handle
13	Wheel

Figure 3-2

GENERAL SAFETY

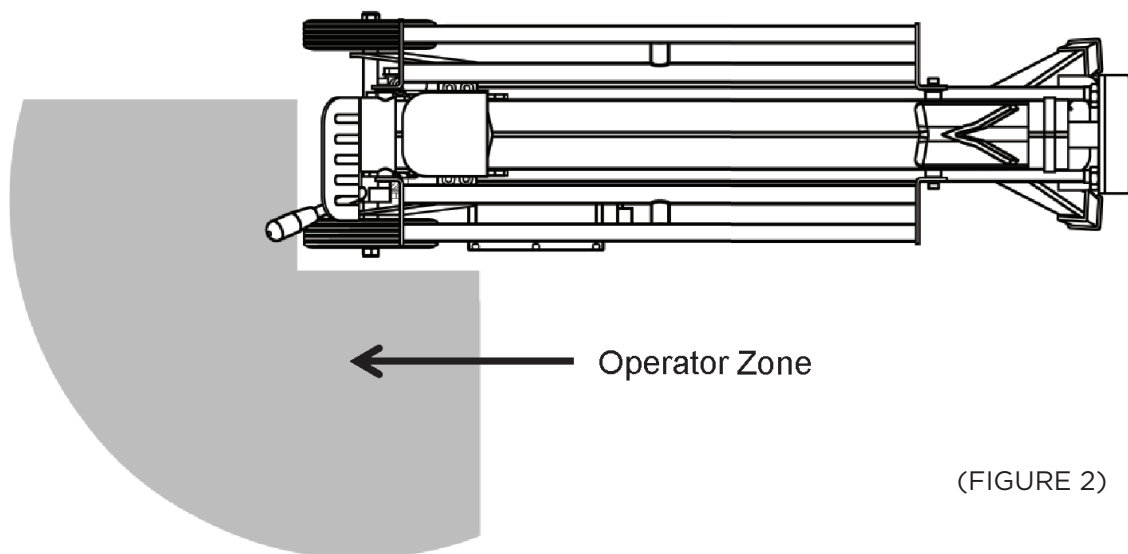
- Failure to follow these instructions may result in serious injury or death.
- ALWAYS read the operator's manual before operation.
- NEVER allow children to operate this log splitter. NEVER allow adults lacking proper instruction and understanding to operate this log splitter.
- KEEP all people and pets a minimum of 25 feet away from your work area when operating this log splitter. Only the operator is to be near the log splitter during use.
- ALWAYS wear safety glasses.
- NEVER use in an explosive atmosphere.
- GUARD against electrical shock by preventing body contact with grounded surfaces. For examples: pipes, radiators, ranges, refrigerators enclosures.
- KEEP guards in place and in good working order.
- USE the proper extension cord. Make sure your extension cord is in good condition.
- NEVER operate the log splitter when under the influence of alcohol, drugs or medication.
- NEVER allow a person who is tired or otherwise not alert to operate the log splitter.
- USE only an electrical circuit having adequate capacity as recommended by the log splitter manufacturer.
- "BLOWING" a fuse or tripping a circuit breaker is usually a warning that you are overloading the machine or have too many devices taking power from the circuit, or both. DO NOT install a higher capacity fuse.

WORK AREA

- NEVER operate the log splitter on slippery, wet, muddy or icy ground.
- ONLY operate your log splitter on level ground. Operating on a slope could cause the log splitter to toll over or logs to fall off.
- NEVER attempt to move your log splitter over hilly or uneven terrain.
- ALWAYS block the wheels to prevent movement of the log splitter while in operation.
- NEVER leave tools or pieces of wood on the tool while it is in operation.
- ONLY operate your log splitter in daylight or under good artificial light.
- ALWAYS keep work area clean. Remove the split wood around your log splitter immediately so that you don't stumble over it.

OPERATION ZONE

ONLY operate the log splitter from the operator zone as shown in diagram. The operator has the safest and most efficient access to the control valve and the beam is in this location. Failure to operate the log splitter in this position can result in serious injury or death.



(FIGURE 2)

SAFETY INFORMATION

- KNOW how to stop the log splitter and disengage the controls before operating it.
- NEVER place hands or feet between the log and splitting wedge during forward or reverse stroke. Serious injury or death could result.
- NEVER straddle or stop over the log splitter during operation. NEVER reach or bend over the log splitter to pick up a log. NEVER try to split two logs on top of each other.
- NEVER try to cross split a log.
- NEVER attempt to load your log splitter when the ram or wedge is in motion.
- ALWAYS use your hand to operate the control lever on the valve. NEVER use foot, a rope or any extension device.
- NEVER move the log splitter while the motor is running. Shut off the motor even if you are leaving the log splitter for a short period of time.

MAINTENANCE SAFETY

- NEVER operate your log splitter when it is in poor mechanical condition or in need of repair. Periodically check that all nuts, bolts, screws, hydraulic fittings and hose clamps are tight.
- NEVER alter your log splitter in any manner under any circumstances. Such alterations may cause your log splitter to be unsafe and will void the warranty.
- ALWAYS unplug from the power source while repairing or adjusting the splitter.
- Perform all recommended maintenance procedures before using your log splitter. Replace all damaged or worn parts immediately.
- NEVER tamper with the motor to run it at excessive speeds. The maximum motor speed is present by the manufacturer and is within safety limits.
- ALWAYS check the level of hydraulic oil before operation.
- ALL replacement parts must meet the manufacturer's specifications.

HYDRAULIC SAFETY

- The hydraulic system of your log splitter requires careful inspection along with the mechanical parts. Be sure to replace frayed, kinked, cracked or otherwise damaged hydraulic hoses or hydraulic components.
- NEVER check for leaks of hydraulic fluids with your hand. Fluid escaping from a small hole can be almost invisible. Escaping fluid under pressure can have sufficient force to penetrate skin causing serious personal injury or even death. Leaks can be detected by passing a piece of cardboard over the suspected leak and looking for discoloration.
- ALWAYS seek professional medical attention immediately if injured by escaping hydraulic fluid. Serious infection or reaction can develop if proper medical treatment is not administered immediately.
- ALWAYS be sure to relieve all pressure by shutting off the motor and moving the control handle back to stop position.
- NEVER remove the vent plug from hydraulic tank or reservoir while the log splitter is running.
- NEVER adjust the hydraulic valve. The pressure relief valve on your log splitter is preset at the factory. Only a qualified service technician should perform this adjustment.

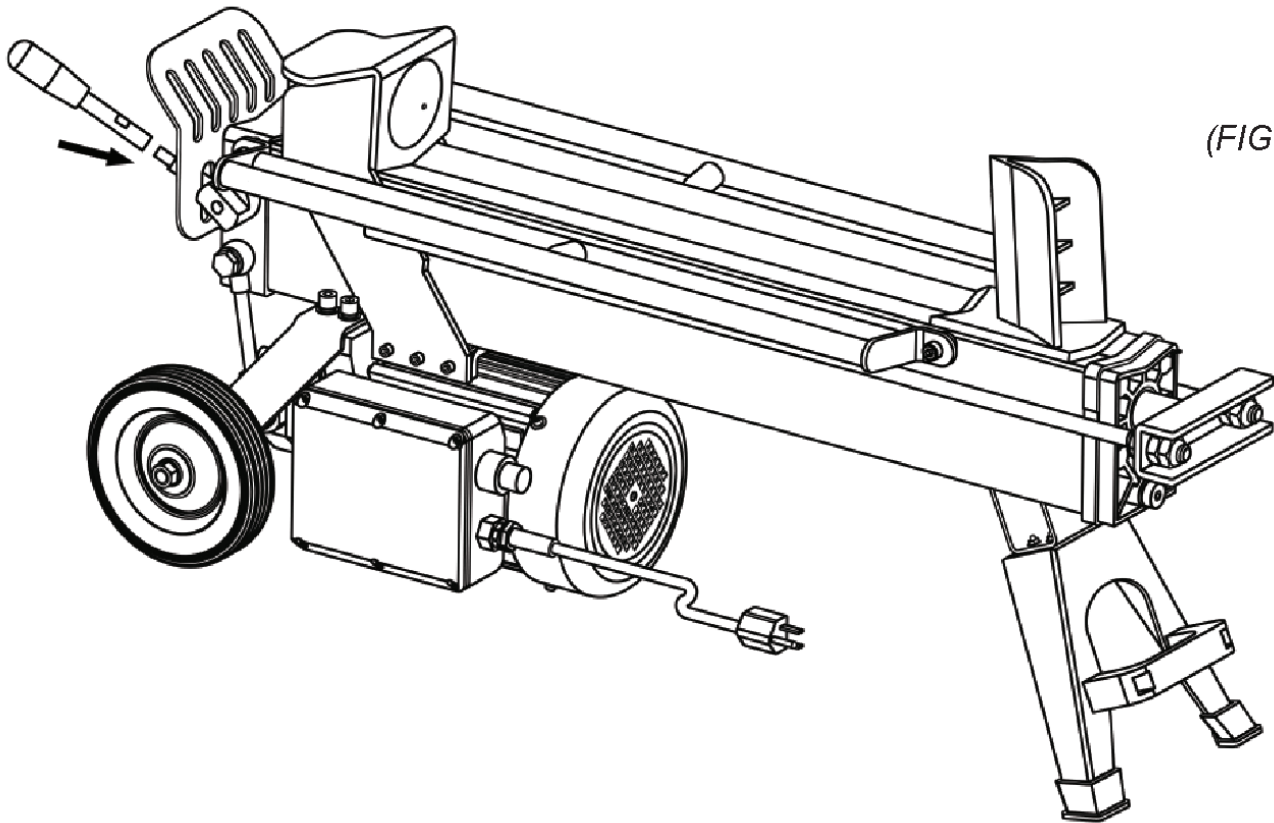
FIRE PREVENTION

- NEVER operate your log splitter near a flame or spark. Hydraulic oil is flammable and can explode.
- NEVER smoke while operating or refueling your log splitter. Gas fumes can easily explode.
- ALWAYS take a Class B fire extinguisher with you when operating this log splitter in dry areas as a precautionary measure against possible flying sparks.

UNPACKING & ASSEMBLY

This product has been shipped pre-assembled (see Figure 3)

- Carefully remove the log splitter and all accessories from the box. Make sure that all items listed in the packing list are included.
- Inspect the tool carefully to make sure no breakage or damage occurred during shipping.
- Do not discard packing materials until you have carefully inspected and satisfactorily operated the tool.
- Screw the control handle lever into handle bracket before operation. (see Figure 3).



(FIGURE 3).

⚠ WARNING

If any parts are damaged or missing, do not operate this tool until the missing parts are replaced. Failure to do so could result in possible serious personal injury.

Do not attempt to modify this tool or create accessories not recommended for use with this tool. Any such alteration or modification is misuse and could result in a hazardous condition leading to possible serious personal injury.

Do not connect to power supply until assembly. Failure to comply could result in accidental starting and possible serious personal injury.

PRE-OPERATION INSTRUCTIONS

⚠ WARNING

If any parts are damaged or missing, do not operate this tool until the missing parts are replaced. Failure to do so could result in possible serious personal injury.

Do not attempt to modify this tool or create accessories not recommended for use with this tool. Any such-alteration or modification is misuse and could result in a hazardous condition leading to possible serious personal injury.

Do not connect to power supply until assembly. Failure to comply could result in accidental starting and possible serious personal injury.

BEFORE USING THE LOG SPLITTER

- Always block the wheels to prevent movement of the log splitter while in operation.
- Clear the work area.
- Check that all nuts, bolts and hydraulic fittings are tight to be sure the equipment is in a safe working condition.
- Make sure your outlet type, voltage and frequency match the data stated on the serial number label (or “Technical Specification” in this manual)
- Check that the switch, power cable and plug are not damaged (no cracks, etc.) to prevent the risk of electric shock or short circuit.
- Wear non-slip safety shoes, safety glasses, safety goggles, protective hair covering and suitable work clothing. Never wear jewelery, necktie and other loose clothing.

Loosen the hydraulic vent plug to release any trapped air that may have accumulated during shipping. Operate the log splitter for several cycles to repel the air. Do not move the splitter while the vent plug is loosened as the hydraulic fluid could spill out. Air must flow in and out of the oil tank during operation to prevent the seals in the hydraulic system from rupturing. Refer to the oil tag for further details.

NOTE: Failure to loosen the hydraulic vent prior to operation of this product may cause abnormal splitting or the seals in the hydraulic system to blow out. Blown seals could cause permanent damage to the log splitter.

Log preparation: Logs should be cut with square ends. Never split logs larger than 10in. in diameter or 20-1/2 in. long. Uneven logs (e.g. knotted, curved, etc.) should not be used.

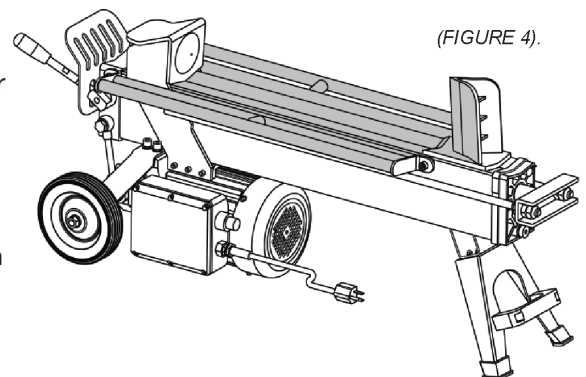
Oil the wedge & upper side of the machine body. This will allow the log to move smoothly on the surface (see highlighted parts on Figure 4).

Always check the oil level before you start the log splitter.

To check the oil level:

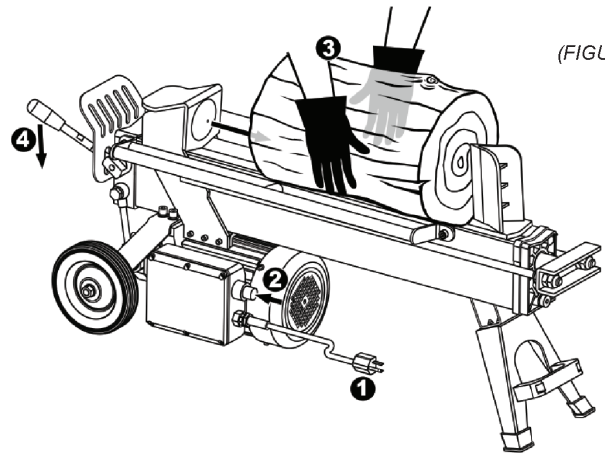
- Unplug the log splitter and screw off the control handle lever.
- Using the lift handle, stand the log splitter on the wheels end, with a block under position shield. Do not stand on the control handle, which will damage the valve core (see figure 8).
- Using a 6mm hex key, remove the oil drain bolt.
- Wipe the dipstick, clean and then reinsert it back into the oil tanks.
- Remove the dipstick and check to see if the oil level is between the first and second groove on the dipstick (see figure 7).
- If there is not enough oil in the oil tank, add oil until the proper level is reached.
- If there is the proper amount of oil in the oil tank, wipe the dipstick clean and then re-place it in the oil tank and tighten the oil drain bolt securely.

NOTE: See “Replacing Hydraulic Oil” in the maintenance section for recommended oil type.



(FIGURE 4).

1. Plug the unit into a 3 prong outlet.
2. Press the power button to turn the log splitter on.
3. Place the log firmly against one of the wedges.
4. Move the control handle down to split the log.
5. Release the handle to retract the ram automatically and begin loading the next log.
6. When the machine is no longer in use, switch it off and unplug the power cable.



(FIGURE 5).

NOTES:

- Ensure that the horizontal distance between the splitter and outlet is more than 5 feet.
- Load each log by grasping the rounded sides of the log only.
- Only allow responsible adults who have read and understand the manual to operate this machine.
- Be familiar with all controls and proper operation. Know how to stop the machine quickly in the event of an emergency.
- Do not operate the machine while under the influence of alcohol, drugs or medications.
- Only a single operator is allowed to load and operate this log splitter. Keep bystanders, helpers, pets and children a sufficient distance, at least 25 feet from the machine.
- Only use your hands to operate the control handle and switch. Arms, feet, knees, rope, heavy objects and extension device are not allowed.
- Never put any part of your body between the extending ram and the wedge.
- Don't stop over the log splitter when the motor is running.
- Always split log along its grain. If it is cut against the grain, there is potential for the wood to burst or fly out resulting in injury.
- Don't force the tool. It is already designed to operate at its maximum speed and tonnage. If you experienced problems splitting especially hard wood, do not continue to push on the control handle for more than 3 seconds. Release the control handle at once to avoid damage. If the motor stops, turn off the motor and then turn it back on again to continue operation.
- If the log is clipped or jammed on the wedge, release the control handle and unplug the power cable immediately. Gently knock off the log with a hammer or mallet (not with your hands).
- Never attempt to split more than one log at a time unless the ram has fully extended and a second log is needed to complete the separation of the first log. Never attempt to split one log on top of another. '
- Regularly clear the split wood to keep the work area clear of debris.
- Periodically check that all nuts, bolts, screws, hydraulic fittings and hose clamps are tightened.
- Never operate your splitter on wet, muddy or icy surfaces. Safe footing is essential in preventing accidents.
- Never leave the machine unattended while the motor is running.
- Never use this machine in a damp or rainy environment.
- Only operate the log splitter when there is sufficient lighting.
- Never tamper with the motor to run it at excessive speeds. The maximum motor speed is present by the manufacturer and is within safety limits.
- Switch off and unplug the power cable if the machine malfunctions. For example: if the machine makes loud noises and the ram is running erratically, there is a strong possibility that there is excessive air in the hydraulic lines or there is a shortage of hydraulic oil in the tank (refer to the troubleshooting section for the solution).
- Do not pull on the power supply cable to unplug the machine.

SPLITTING LOGS

- See Figure 5.
Always place logs lengthwise on the work table and resting firmly on the side supports with one end against the wedge. Place logs flat and in the direction of the grain. Never angle the log to split or place the log crosswise on the splitter. Never split more than one log at a time.
- Place log lengthwise and lying flat on the work table.
- Both ends of the log should be cut as square as possible to help prevent the log from riding out of the splitter during operation.
- Do not split logs greater than 20.5 inches in length.

NOTE: If the log is small, place it against the wedge before starting the splitter.

TRANSPORTATION

- This machine can fit in most vehicles for transportation.
- Ensure that the splitter is properly secured before the vehicle is in motion.
- Ensure vent plug is tightened and that all hydraulic fittings are tight to avoid leaking oil.

NOTE

- Never move this machine while the motor is running.
- Be extra cautious when moving this machine on rugged and rough terrain.
- Store the machine upright so and ensure that it cannot be tipped over during transport.
- Never allow anyone to ride on the machine while transporting.

STORAGE

- Store this unit switched off and unplugged.
- Allow machine to cool 5 minutes after every use before storing.
- Protect power supply cable from heat, sunshine, aggressive liquids and sharp edges.
- Store unit in a clean, dry area. Do not store in unprotected area outdoors.
- Never place near corrosive materials or in a damp environment.
- Do not allow children near the splitter.

WARNING

Never keep pressure on the wood by trying to force the log splitter for more than seconds. After five seconds, the oil will heat up and could damage the tool.

MAINTENANCE

⚠ WARNING

When servicing, use only identical replacement parts. Use of any other parts may create a hazard or cause product damage.

Only the parts shown on the parts list are intended to be repaired or replaced by the customer. All other parts should be replaced at an Authorized Service Center.

GENERAL MAINTENANCE

Avoid using solvents when cleaning plastic parts. Most plastics are susceptible to damage from various types of commercial solvents and may be damaged by their use. Use clean wipes to remove dirt, dust, lubricant, grease etc.

SHARPENING THE WEDGE

After using the log splitter for some time, it may be necessary to sharpen the wedge. Using a fine-toothed file, smooth any burrs or crushed areas along the cutting edge.

LUBRICATION

All of the bearings in this tool are lubricated with a sufficient amount of high grade lubricant for the life of the unit under normal operating conditions. Therefore, no further lubrication is required on the bearings.

REPLACING HYDRAULIC OIL

SEE FIGURE 6, 7, 8, 9.

The hydraulic oil in the log splitter should be changed every 100 hours of use.

1. Unplug the log splitter
2. Position the log splitter so that the oil drain bolt is positioned lower than the opposite side of the machine.
3. Ensure that the log splitter is tilted to an angle of at least 30 degrees. The log splitter should be placed securely.
4. Using a 6mm hex key, remove the oil drain bolt and disconnect of no less than four liter capacity.
5. Once the oil has drained from the oil tank, turn the log splitter on the end with the wheels.
6. Refill the oil tank with fresh hydraulic oil (3.8 liters or 4 quarts).
7. Place the cleaned dipstick into the oil tank. Remove and check the oil level.
8. Level down the log splitter, start the motor and cycle the ram several times to remove excess air from the reservoir.

NOTE: The oil level should be between the two grooves around the bottom of the dipstick as shown in figure 7.

- Use AW32 hydraulic fluid.
- Replace oil drain bolt. Tighten securely.
- Dispose old oil at an oil recycling center.
- Refer to the oil tag for additional details.

FIGURE 6.

Drain Oil from Reservoir

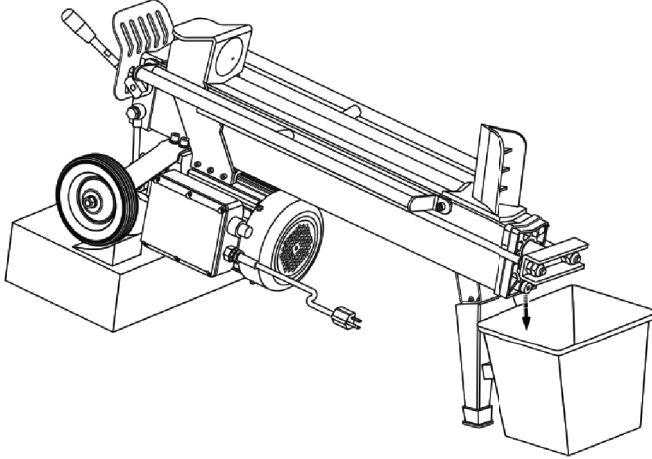


FIGURE 7.

Note Acceptable Oil Fill Level



FIGURE 8.

Place Log Splitter In Vertical Position

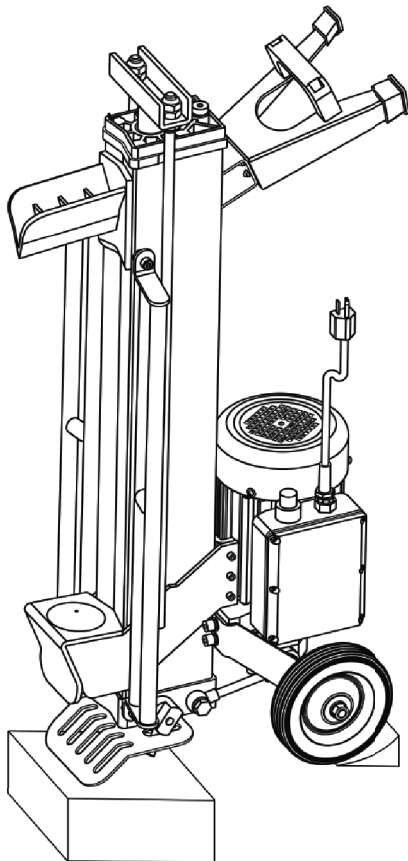
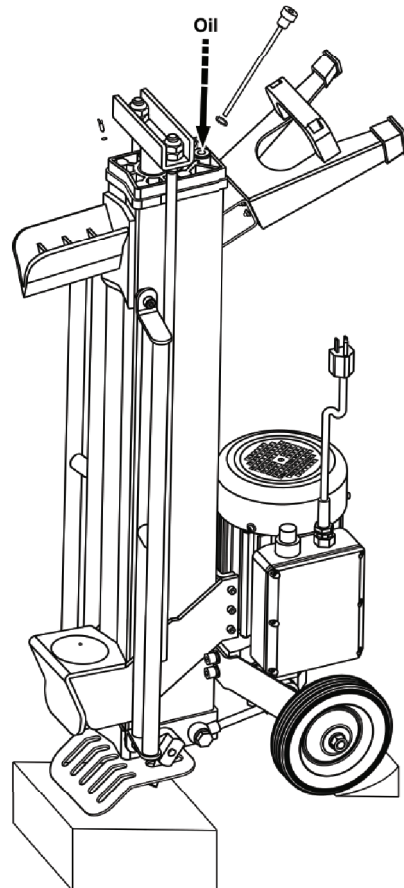


FIGURE 9.

Refill Oil to Desired Level



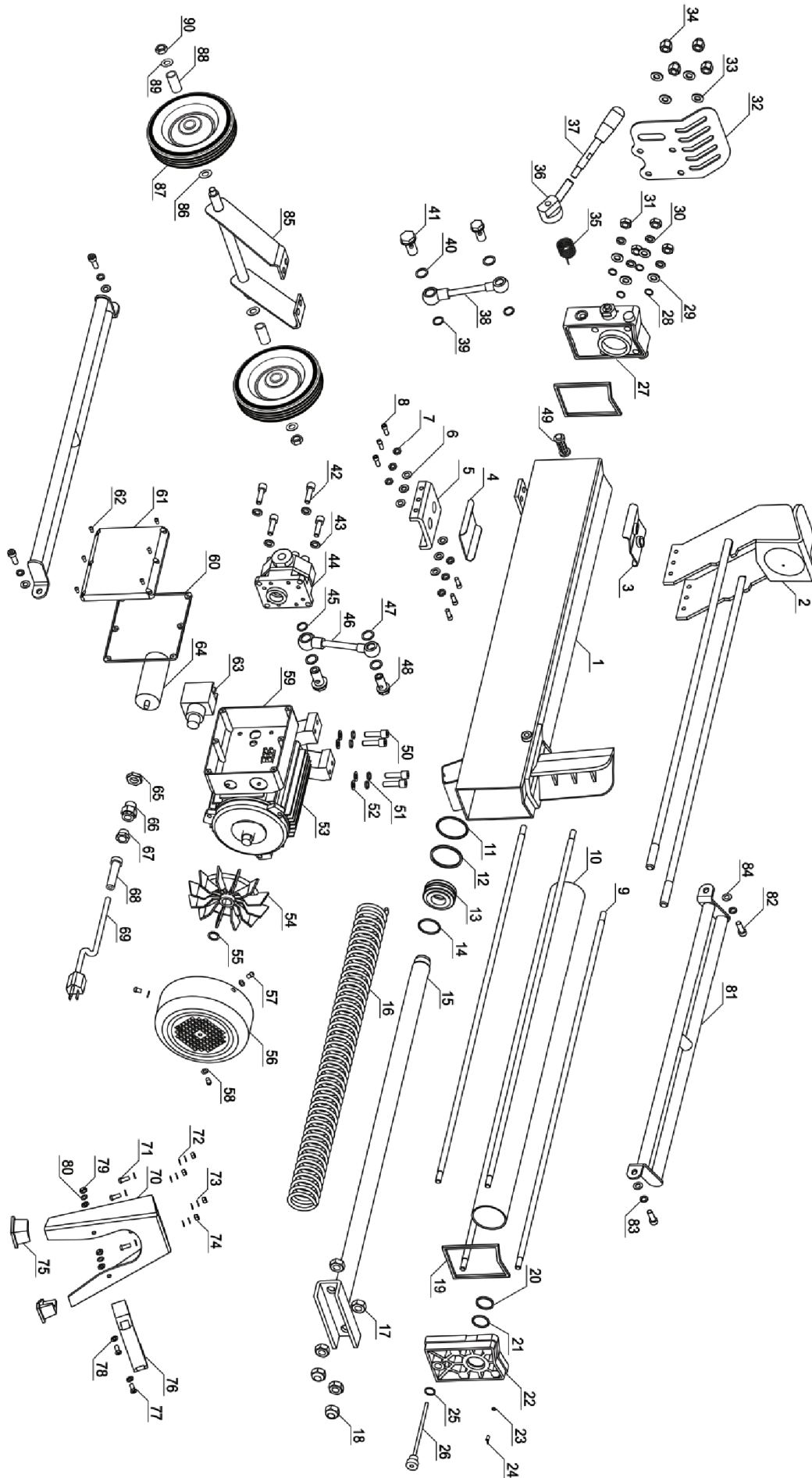
TROUBLE SHOOTING GUIDE

PROBLEM	POSSIBLE CAUSE	POSSIBLE REMEDY
Motor fails to start	Overload protective device is disengaged to protect the log splitter from being damaged	Switch off the motor and unplug the power cable. Let motor cool down for half an hour and restart. If this does not solve the problem, call your dealer for customer support.
The log splitter won't split logs.	Log is improperly positioned The size or hardness of the log exceeds the machine's capacity. Wedge cutting edge is blunt. Insufficient hydraulic oil Unauthorized adjustment was made on the maximum pressure lifting screw. Lower maximum pressure was set.	Switch off the motor and unplug the power cable. Let motor cool down for half an hour and restart. If this does not solve the problem, call your dealer for customer support.
Log ram jerks, vibrates or does not move.	Unit is not placed on level ground. Lack of hydraulic oil Excessive air in the hydraulic system. Log splitter is over forced.	Reposition the log splitter to ensure that the wheel end of the unit is no higher than the other end. Check oil level for possible oil refilling. Ensure vent plug is loose during operation. Turn off and restart the unit. Contact the dealer.
Oil leaks from the hydraulic system or from other points	Air sealed in hydraulic system while operating Vent plug is not tightened before moving the log splitter. Oil drain bolt is not tight. Hydraulic fitting(s) and/or seal(s) are worn.	Loosen vent plug before operating the log splitter. Tighten the vent plug before moving the log splitter. Tighten the oil drain bolt. Contact the dealer.

TECHNICAL SPECIFICATIONS

Electrical requirements	115v, 60hz	
Power output	1300W	
Rated current	12A	
Motor speed	3400RPM	
Power cable	SJTW 14AWG (2.08mm ²)	
Max Splitting Force	5 Ton	
Max Splitting Length	20.5in	
Max Splitting Diameter	10in	
Hydraulic Pressure	2700 PSI	
Cylinder Bore	2.2 in	
Cycle Time	Feed	9 sec
	Retract	5 sec
Max Cylinder Stroke	17 in	
Oil Capacity	3.8 L	
Machine Dimensions (LxWxH)	38x11x19	
Machine Net Weight	104 LBS	

EXPLODED VIEW & PARTS LIST

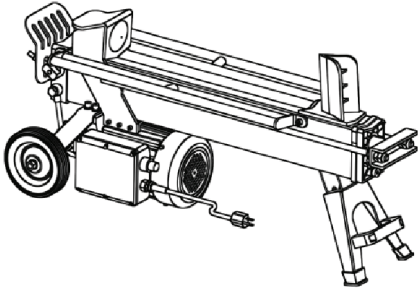


REF NO.	PART NO.	DESCRIPTION	SPECIFICATION	QTY
1	310-325	Machine Body w/End Wedge		1
2	530-101	Ram Cap & Shaft		1
3	530-475	Upper Nylon Cushion		1
4	530-898	Lower Nylon Cushion		1
5	530-616	Base Plate of Ram		1
6	750-160	Flat Washer	M8*1	6
7	750-075	Spring Washer	M8*2.3	6
8	710-084	Inner Hex Bolt	M8*15	6
9	710-685	Double-Screw Bolt	M10*813	4
10	530-322	Cylinder Tube	Ø55*743	1
11	730-847	O Seal Ring	Ø55*3.1	1
12	730-446	Seal Cover		1
13	530-624	Piston Head		1
14	730-924	O Seal Ring	Ø55*3.5	1
15	530-434	Piston Shaft w/connecting plate		1
16	530-580	Retracting Spring		1
17	720-156	Nut	M14	4
18	720-884	Lock Nut	M14	2
19	730-772	Paper Seal Ring		2
20	730-186	O Seal Ring	Ø30*2.65	1
21	730-139	Dirt Proof Ring		1
22	540-853	Front Reservoir Cover		1
23	730-094	O Seal Ring	Ø6*1	1
24	540-537	Vent Plug	M4*10	1
25	750-158	Copper Seal Washer	M14*1	1
26	540-333	Oil Dipstick w/oil Drain Bolt		1
27	520-974	Hydraulic Valve		1
28	730-198	O Seal Ring	Ø14*2.4	4
29	750-520	Flat Washer	M10*1	4
30	750-371	Spring Washer	M10*2	4
31	720-465	Nut	M10	4
32	350-233	Position Shield		1
33	750-525	Flat Washer	M10*2	4
34	720-678	Snap Head Nut	M10	4
35	520-596	Torsion Spring		1
36	520-293	Control Handle Bracket		1
37	520-401	Control Handle Lever w/Grip	Ø12.5*134	1
38	560-587	Oil Tube	Ø14-Ø10*100*1	1
39	730-624	O Seal Ring	Ø18*1.9	2
40	750-158	Copper Seal Washer	M14*1	2
41	710-896	Oil Tube Screw	M14*30	2
42	710-895	Innner Hex Head Bolt	M8*20	4
43	750-160	Flat Washer	M8*1	4
44	550-203	Hydraulic Pump		1
45	730-624	O Seal Ring	Ø18*1.9	1
46	560-587	Oil Tube	Ø14-Ø10*100*1	1
47	750-158	Copper Seal Washer	M14*1	3
48	710-896	Oil Tube Screw	M14*30	2
49	540-311	Oil Filter		1

REF NO.	PART NO.	DESCRIPTION	SPECIFICATION	QTY
50	710-541	Inner Hex Head Bolt	M8*35	4
51	750-075	Spring Washer	M8*2.3	4
52	750-160	Flat Washer	M8*1	4
53	910-234	Electric Motor		
54	910-194	Fan		1
55	760-548	Cir Clip for Shaft	Ø16	1
56	910-154	Fan Cover	Ø162	1
57	750-270	Flat Washer	M4*1	3
59	920-011	Connecting Box (Bottom)		1
60	920-506	Connecting Box (Rubber Ring)		1
61	920-853	Connecting Box (Cover)		1
62	740-603	Cross Reference Pan Head Screw	M4*10	6
63	920-943	Power Switch		1
64	920-980	Capacitor	60UF	1
65	930-154	Cable Fastener Nut		1
66	930-807	Cable Fastener		1
67	930-233	Cable Fastener Bolt		1
68	930-511	Cable Bushing		1
69	930-182	Power Cable	STJW3/C 14AWG, Ø2.08*1600	1
70	320-815	Front leg		1
71	740-313	Cross Recess Pan Head Screw	M16*15	4
72	750-273	Flat washer	M6*1	8
73	750-823	Spring washer	M6*1.8	4
74	720-322	Nut	M6	4
75	320-825	Bumper		2
76	320-511	Towing Handle		1
77	740-324	Cross Recess Pan Head Screw	M6*25	2
78	750-273	Flat Washer	M6*1	4
79	720-322	Nut	M6	2
80	750-823	Spring Washer	M6*1.8	2
81	320-935	Log Hodger		2
82	710-023	Inner Hex Bolt	M8*16	2
83	750-075	Spring Washer	M8*2.3	4
84	750-160	Flat Washer	M8*1	4
85	340-096	Wheel Frame		1
86	750-146	Flat Washer	M13*2	2
87	330-436	Wheel	6ft*1.5"	2
88	340-138	Bearing Spacer	Ø16*31.5*1.2	2
89	750-525	Flat Washer	M10*2	2
90	720-120	Lock Nut	M10	2
91	520-400	Short Adapter Lever		1

PACKING LIST

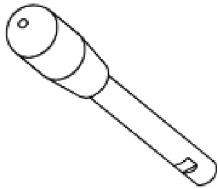
(1) Log Splitter



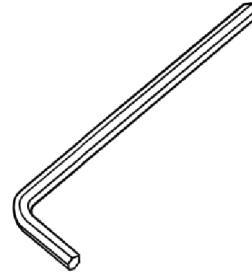
(1) Owner's Manual



(1) Control handle



(1) Hex Key





BRABEREQ.COM
WGSALES@BRABEREQ.COM

PHONE: 604-850-7770
FAX: 604-850-7774
TOLL FREE PHONE: 1-877-588-3311
TOLL FREE FAX: 1-800-665-7334