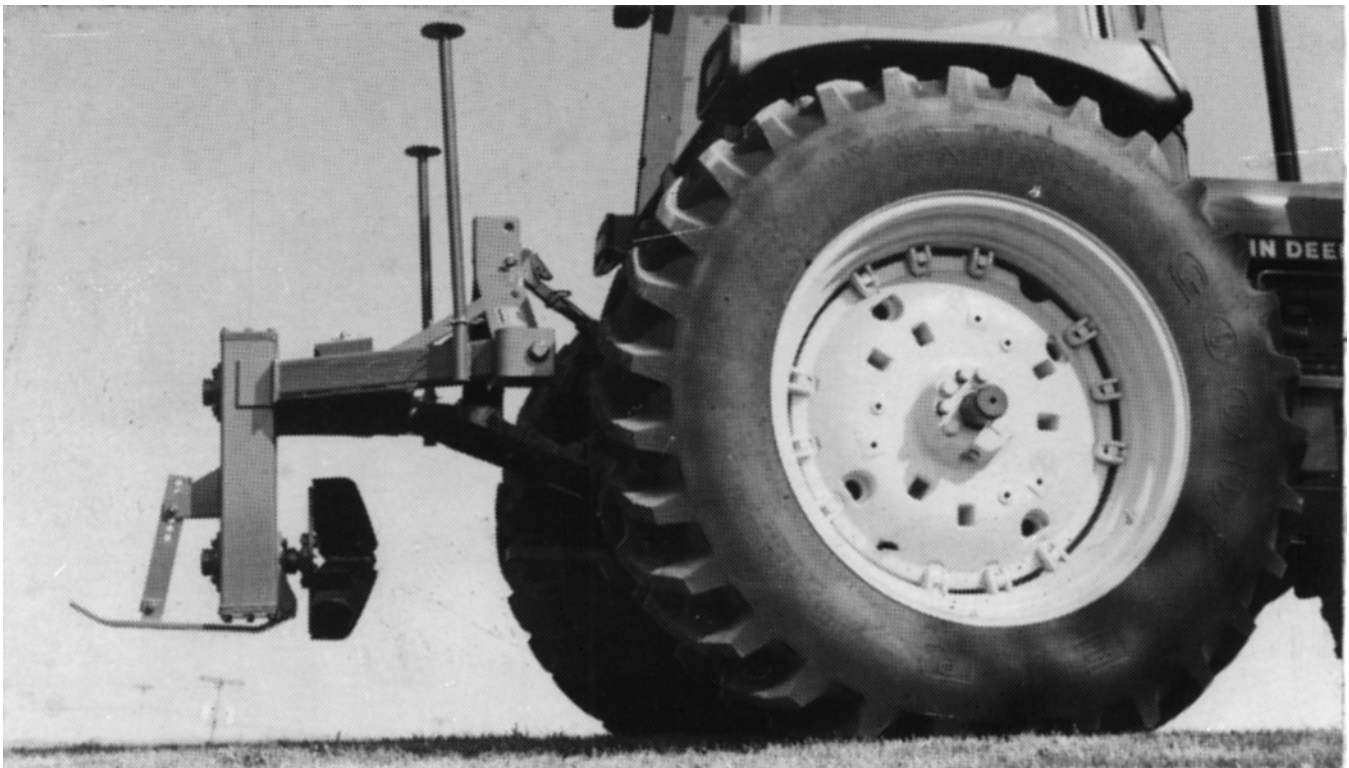




Model D5P/D10P Power Ditcher Parts Manual



LANDOLL CORPORATION

1900 North Street
Marysville, Kansas 66508
(785) 562-5381
800-428-5655 ~ **WWW.LANDOLL.COM**

Table of Contents

1 Instructions for Ordering Parts

1 Illustrated Parts List

GENERAL ASSEMBLY	1-1
MAIN FRAME ASSEMBLY	1-3
MAIN FRAME ATTACHING PARTS ASSEMBLY	1-5
DECAL INSTALLATION	1-7

2 Numerical Index

Instructions for Ordering Parts

ORDER PARTS FROM LANDOLL PARTS DISTRIBUTION CENTER

**** Repair parts must be ordered through an Authorized Dealer ****

PHONE NO.: 1-800-423-4320 OR 1-800-428-5655 OR 1-785-562-5381

FAX NO.: 888-527-3909

ORDER ONLINE: companystore.landoll.com

IDENTIFICATION PLATE

The identification plate, which lists the model number and serial number, is located on the left side of the hitch (See Figure 1-1.)

SERIAL NUMBER NOMENCLATURE

The serial number for the D5P/D10P Series Power Ditcher is located on the identification plate.

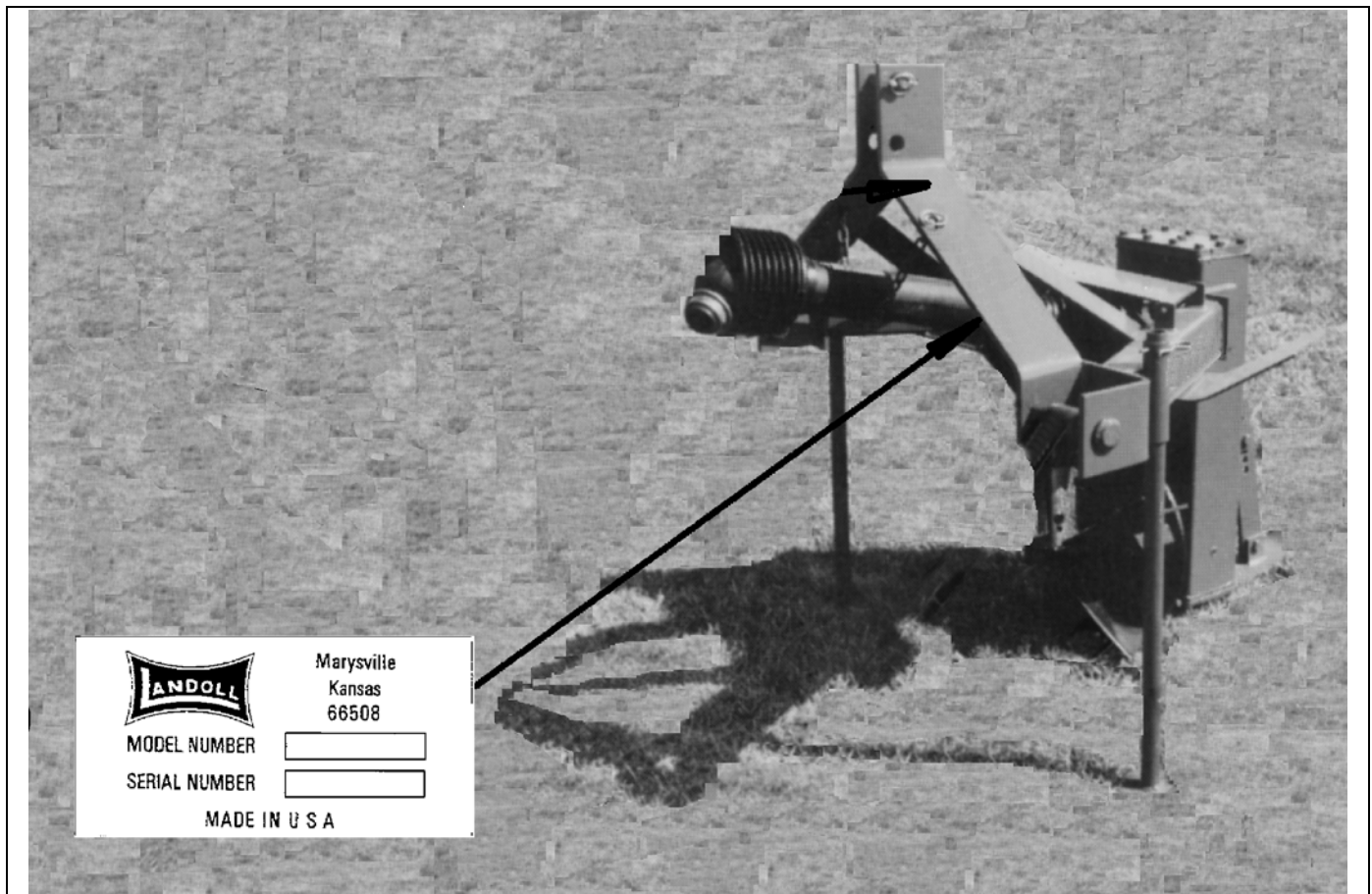


Figure 1-1: Identification Plate and Location

Page Intentionally Blank

Illustrated Parts List

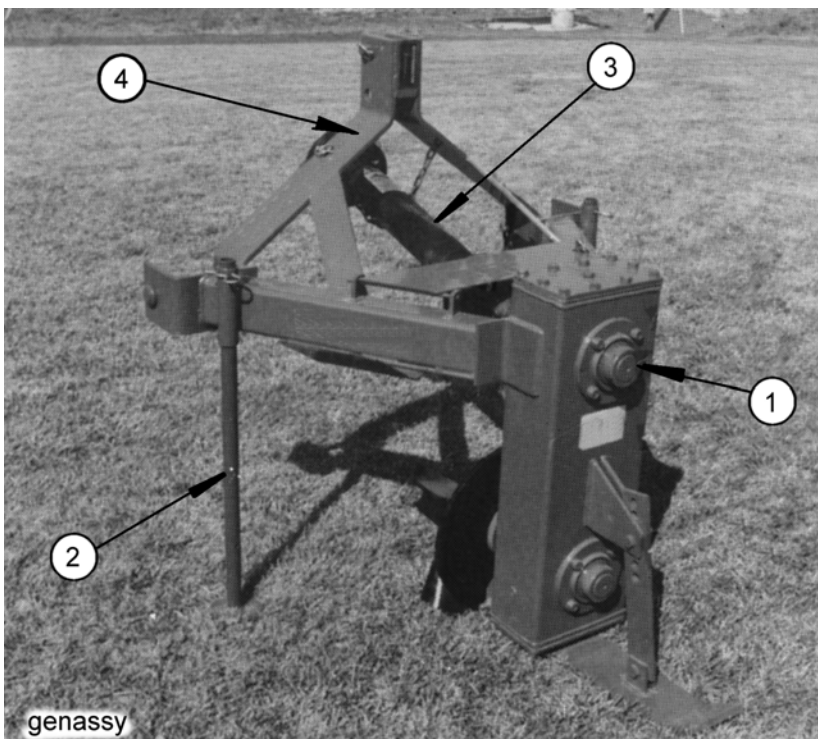


Figure 1-1: General Assembly

GENERAL ASSEMBLY

ITEM	PAGE/PART NO.	DESCRIPTION	QTY.
1	1-2 - 1-3	MAIN FRAME ASSEMBLY	1
2	1-4 - 1-5	MAIN FRAME ATTACHING PARTS ASSEMBLY	1
3	157856	PTO DRIVE SHAFT 540 RPM (D5P18A)	1
	157169	PTO DRIVE SHAFT 1000 RPM 21T TRAC YOKE (D10P18A)	1
	157168	PTO DRIVE SHAFT 1000 RPM 20T TRAC YOKE (D10PH18A)	1
	165093	PTO REPAIR KIT	
4	1-6 - 1-7	DECAL INSTALLATION	1
5	F-351	MANUAL, D5P/D10P POWER DITCHER OPER. (NOT SHOWN)	1



ILLUSTRATED PARTS LIST

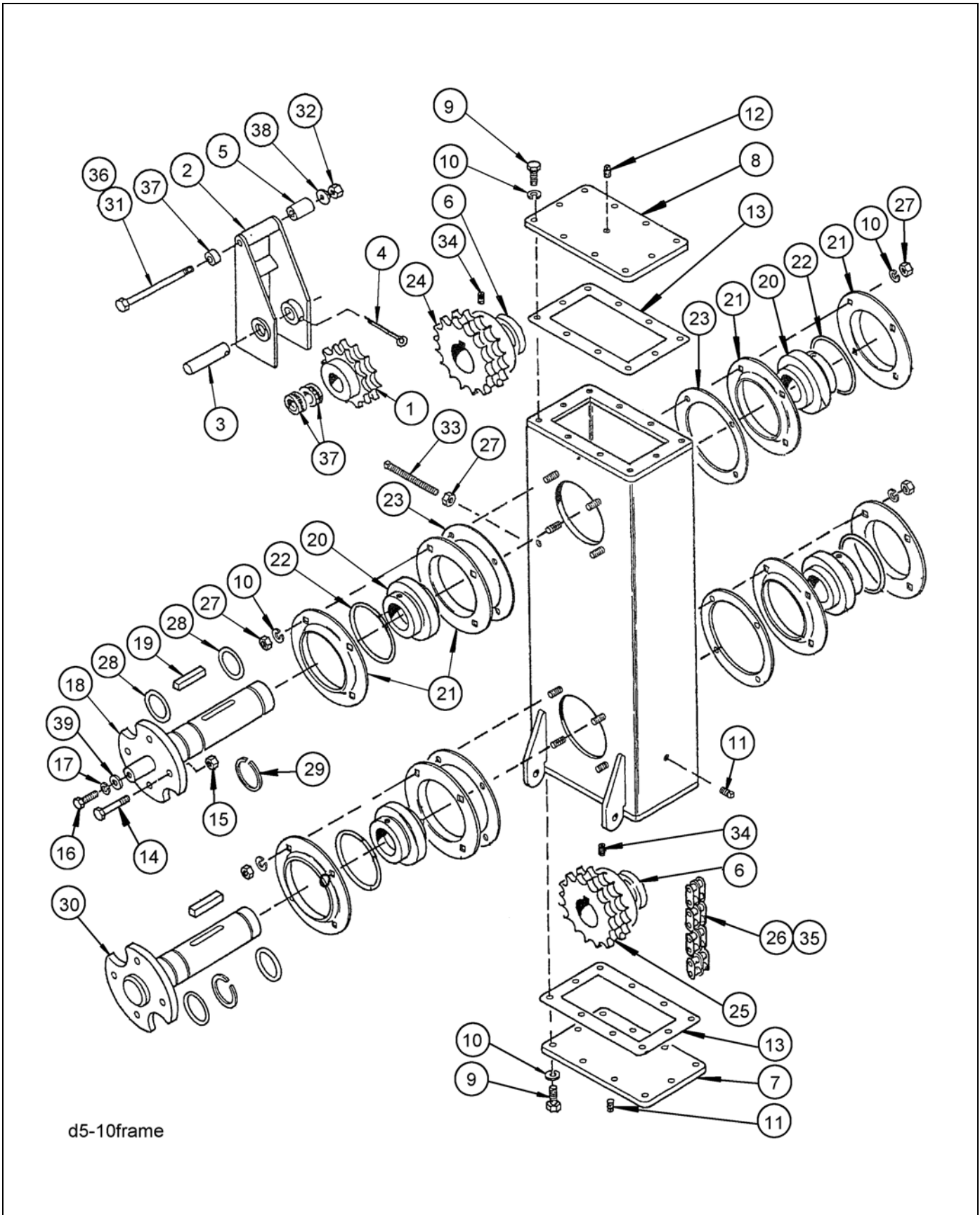
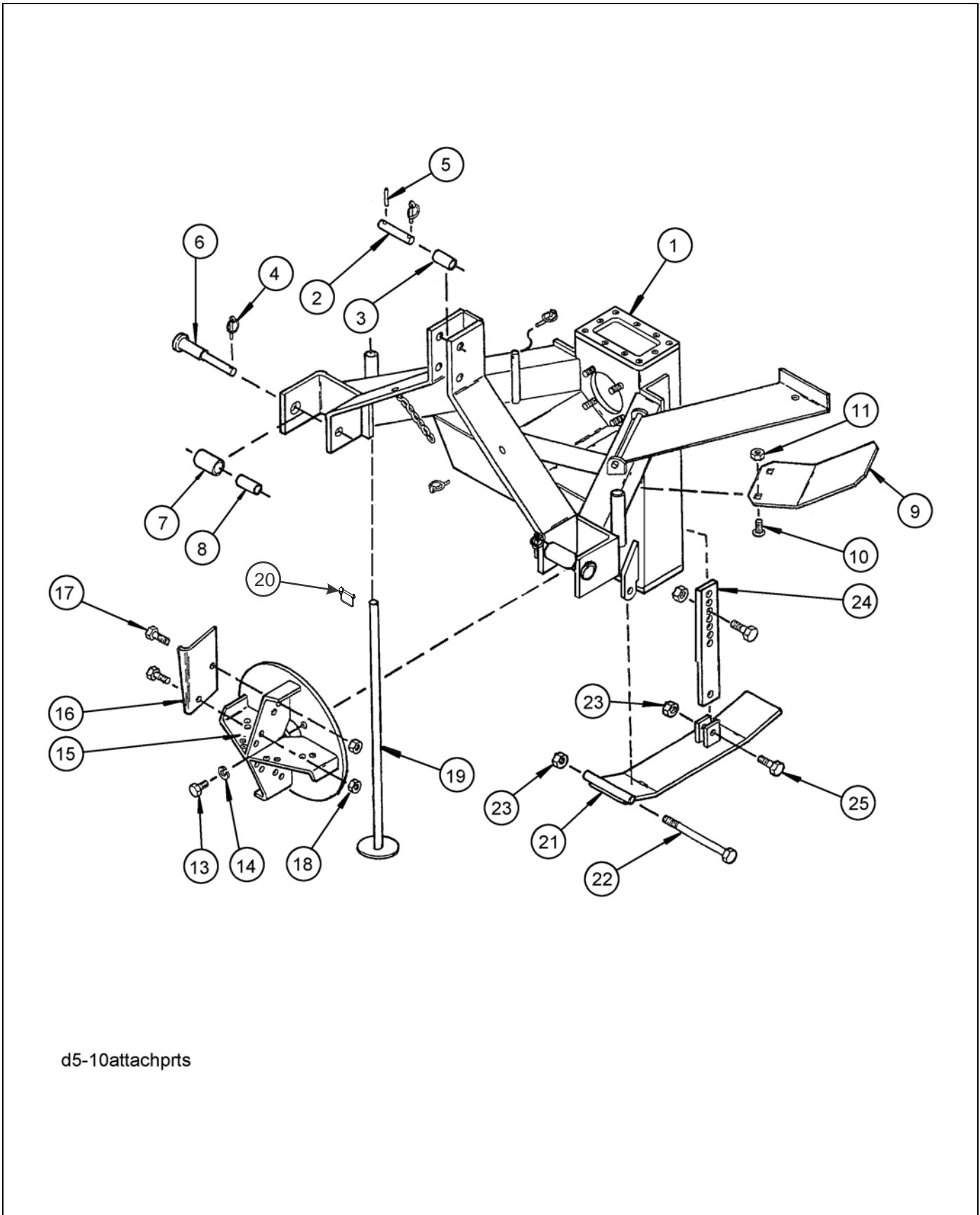


Figure 1-2: Main Frame Assembly

MAIN FRAME ASSEMBLY

ITEM	PART NO.	DESCRIPTION	QTY.
1	366758	FIN BORE SPROCKET	1
2	1A64139	IDLER WELDMENT	1
3	1D67947	IDLER PIN	1
4	W932022-4	COTTER PIN	1
5	1D69249	SPACER, IDLER 1" X 9/16"	2
6	1D69248	SPACER, SPROCKET	2
7	E100616	END PLATE	1
8	EPA74009	TOP PLATE	1
9	1-654-010055-01	SCREW, HEX HEAD CAP 1/2-13 X 1 GR5	20
10	1-861-010034-13	WASHER, SPLIT LOCK 1/2	36
11	W941049	PIPE PLUG 3/8 SOCKET HEAD	2
12	E11293AGCO	BREATHER, 3/8	1
13	E11359AGCO	FRAME GASKET	2
14	W907051-4	HEX BOLT 3/8 X 2 GR8	2
15	1-512-010005-05	NUT, HEX LOCK 3/8	2
16	E10602	HEX BOLT 7/16 X 1	1
17	1-861-010034-12	WASHER, SPLIT LOCK 7/16	1
18	116610	INPUT SHAFT	1
19	E11295AGCO	KEY	2
20	E11381AGCO	BEARING AND COLLAR	4
21	E10905AGCO	FLANGETTE	8
22	E11329AGCO	O-RING	4
23	E11328AGCO	FLANGETTE GASKET	4
24	E11375AGCO	TOP SPROCKET 16 TOOTH 1000 RPM (D10P)	1
	E11376AGCO	TOP SPROCKET 22 TOOTH 540 RPM (D5P)	1
25	E11375AGCO	BOTTOM SPROCKET 16 TOOTH 540 RPM (D5P)	1
	E11376AGCO	BOTTOM SPROCKET 22 TOOTH 1000 RPM (D10)	1
26	7650-57	CHAIN #80-2, 57 PITCHES	1
27	1-512-010007-09	NUT, HEX 1/2	16
28	E11979	O-RING	4
29	7064-8	RETAINING RING EXT	4
30	E20364	OUTPUT SHAFT	1
31	W908182-4	HEX BOLT, 1/2 X 7	1
32	1-511-010001-05	NUT, HEX JAM 1/2	1
33	W909576-4	SCREW, SHS 1/2-13 X 3	1
34	W909902	SET SCREW, 1/2-13 X 1/2	3
35	7223-5	80-2 CONNECTOR LINK KIT	1
36	E12017	WASHER, BOLT (NOT SHOWN)	18
37	7458-3	ROLLER BEARING - NEEDLE TYPE	2
38	1-861-010032-14	WASHER, FLAT 1/2 N	2
39	1-861-010032-15	WASHER, FLAT 1/2W	1
40	E10747	CARRIAGE SCREW 1/2 X 1-1/2 (NOT SHOWN)	16

ILLUSTRATED PARTS LIST



d5-10attachprts

Figure 1-3: Main Frame Attaching Parts Assembly

MAIN FRAME ATTACHING PARTS ASSEMBLY

ITEM	PART NO.	DESCRIPTION	QTY.
1	E0908	MAIN FRAME	1
2	E7397	PIN, 1 X 4-3/8	1
3	E6570	BUSHING, 1-1/4" X 2	1
4	E10317	KLIK PIN 1/4 X 1-3/4	5
5	W933232	ROLL PIN 5/16 X 2	1
6	E0911	HITCH PIN	2
7	E100673	SPACER, 2 X 2-3/4	2
8	E100640	BUSHING, 1-7/16 X 2-3/4	2
9	E100699	DEFLECTOR	1
10	1-654-010070-03	SCREW, RD HEAD SQ NECK 1/2 X 1-1/2	2
11	1-512-010005-09	NUT, HEX LOCK 1/2	3
12	EPA74013	CUTTER HEAD ASSEMBLY (INCL. ITEMS 15-18)	1
13	1-654-010059-03	SCREW, HEX HEAD CAP 5/8-11 X 1-1/2 GR5	4
14	1-861-010034-15	WASHER, SPLIT LOCK 5/8	4
15	E0938	CUTTER HEAD	1
16	E100662	BLADE	4
17	W908506-4	HEX BOLT 1/2 X 1-1/2 GR5	8
18	E10498	LOCK NUT 1/2	8
19	E0939	PARKING STAND	2
20	516-22PTL	RETAINING PIN	2
21	E0937	SKID	1
22	5/8-11 X 9 CS	SCREW, HEX HEAD CAP 5/8-11 X 9	1
23	103-0625	NUT, ESNA 5/8	3
24	E100648	ADJUSTING BAR 1/2 X 1-1/2 X 15-1/2	1
25	1-654-010059-07	SCREW, HEX HEAD CAP 5/8-11 X 2-1/2 GR5	2
26	1-796-010001	TIE, WIRE 22" PLASTIC (NOT SHOWN)	AR
27	366575	SHIELD (NOT SHOWN)	1
28	101386	COTTER PIN 1/8 X 1 (NOT SHOWN) (MOUNTS IN PIVOT ROD ON P/N 366575, ITEM 27)	1

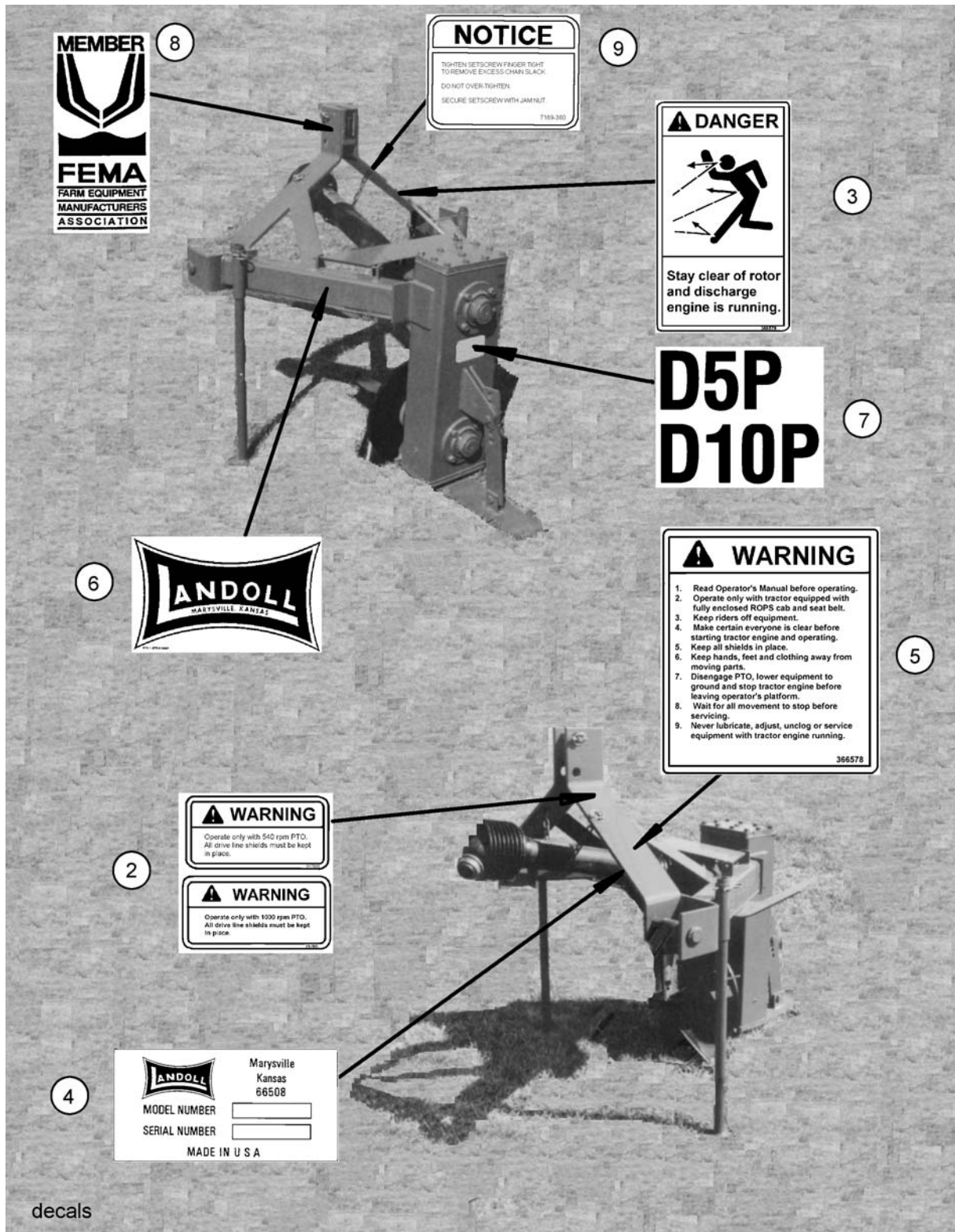


Figure 1-4: Decal Installation

DECAL INSTALLATION

ITEM	PART NO.	DESCRIPTION	QTY.
1	10036	FASTENER, SERIAL NO. PLATE	2
2	017805	DECAL, WARNING	1
	017806	DECAL, WARNING	1
3	366579	DECAL, DANGER	2
4	1-573-010006	PLATE, NAME	1
5	366578	DECAL, WARNING	1
6	141259	DECAL, LANDOLL YELLOW	2
7	162616	DECAL, MODEL D5P	1
	162617	DECAL, MODEL D10P	1
8	2-573-010198	DECAL, MEMBER FEMA	1

Page Intentionally Blank

Numerical Index

Numerics

017805	1-7
017806	1-7
10036	1-7
103-0625	1-5
116610	1-3
141259	1-7
1-511-010001-05	1-3
1-512-010005-05	1-3
1-512-010005-09	1-5
1-512-010007-09	1-3
157168	1-1
157169	1-1
1-573-010006	1-7
157856	1-1
162615	1-7
162616	1-7
162617	1-7
165093	1-1
1-654-010055-01	1-3
1-654-010059-03	1-5
1-654-010059-07	1-5
1-654-010070-03	1-5
1-796-010001	1-5
1-861-010032-14	1-3
1-861-010032-15	1-3
1-861-010034-12	1-3
1-861-010034-13	1-3
1-861-010034-15	1-5

1A64139	1-3
1D67947	1-3
1D69248	1-3
1D69249	1-3
2-573-010198	1-7
366575	1-5
366578	1-7
366579	1-7
366758	1-3
5/8-11 X 9 CS	1-5
516-22PTL	1-5
7064-8	1-3
7223-5	1-3
7458-3	1-3
7650-57	1-3

E

E0908	1-5
E0911	1-5
E0937	1-5
E0938	1-5
E0939	1-5
E100616	1-3
E100640	1-5
E100648	1-5
E100662	1-5
E100673	1-5
E100699	1-5
E10317	1-5



NUMERICAL INDEX

E10498	1-5
E10602	1-3
E10747	1-3
E10905AGCO	1-3
E11293AGCO	1-3
E11295AGCO	1-3
E11328AGCO	1-3
E11329AGCO	1-3
E11359AGCO	1-3
E11375AGCO	1-3
E11376AGCO	1-3
E11381AGCO	1-3
E11979	1-3
E12017	1-3
E20364	1-3
E6570	1-5
E7397	1-5
EPA74009	1-3
EPA74013	1-5

W

W907051-4	1-3
W908182-4	1-3
W908506-4	1-5
W909576-4	1-3
W909902	1-3
W932022-4	1-3
W933232	1-5
W941049	1-3



Intertek

Equipment from Landoll Corporation is built to exacting standards ensured by ISO 9001 registration at all Landoll manufacturing facilities.

Model D5P/D10P
Power Ditcher
Parts Manual

Re-Order Part Number F-353-0411

LANDOLL CORPORATION

1900 North Street
Marysville, Kansas 66508
(785) 562-5381
800-428-5655 ~ WWW.LANDOLL.COM



Copyright 2010. Landoll Corporation

"All rights reserved, including the right to reproduce this material or portions thereof in any form"