



Mower Conditioners
FC 61 TL / FC 61 TC SERIES



MAXIMUM PRODUCTIVITY AND PERFORMANCE

WHETHER YOU ARE CUTTING AND CONDITIONING GRASS OR ALFALFA, KUHN OFFERS MANY MODELS TO MEET YOUR NEEDS. KUHN PROVIDES FARMERS WITH CROP CONDITIONING SYSTEMS THAT OFFER VERSATILITY AND EASE OF ADJUSTMENT NECESSARY TO MATCH EVER-CHANGING FIELD CONDITIONS. WITH SIMPLICITY, EASY MAINTENANCE, HIGH OUTPUT, PRECISE CONDITIONING AND MULTIPLE WINDROW ADJUSTMENTS, WE HAVE THE MOST ADVANCED MACHINES ON THE MARKET TO HELP MAKE YOUR HARD WORK A LITTLE BIT EASIER.



TRAILED DESIGN

KUHN's trailed mower conditioners offer wide working widths, simple adjustments and low maintenance for dependable grass and forage cutting and conditioning. They provide easy tractor hookup and exceptional cutterbar flotation and contour following. The trailed design lowers the tractor ballast requirement, allowing use with smaller tractors, while maintaining excellent stability in both work and transport.

MULTIPLE WINDROW ADJUSTMENTS

From narrow to wide windrows, these models offer the broadest range of windrowing options to best match your harvest practices and field conditions.

Summary

Exclusive Optidisc® Elite Cutterbar	4-5
Shared Features	6-9
FC TL	10-11
FC TC	12-13
FC 3561 TCD RA	13
Optional Equipment.....	14
Specifications	14-15

Models	Working Width	Windrow Width	Horsepower Requirement
FC 2861 TL	9'2" (2.8 m)	3' – 6'8" (0.9 – 2 m)	67 hp (50 kW)
FC 3161 TL	10'2" (3.1 m)	3' – 7'8" (0.9 – 2.3 m)	80 hp (60kW)
FC 3561 TL	11'6" (3.5 m)	3' – 8'8" (0.9 – 2.6 m)	93 hp (70 kW)
FC 3161 TC	10'2" (3.1 m)	2'11" – 9'2" (0.9 – 2.8 m)	80 hp (60 kW)
FC 3561 TC	11'6" (3.5 m)	3'7" – 10'4" (1.1 – 3.2 m)	93 hp (70 kW)
FC 3561 TCD RA	11'6" (3.5 m)	3'7" – 8'10" (1.1 – 2.7 m)	91 hp (67 kW)
FC 4061 TC	13'1" (4.0 m)	3'7" – 12'2" (1.1 – 3.7 m)	107 hp (80 kW)
FC 4461 TC	14'5" (4.4 m)	3'7" – 12'2" (1.1 – 3.7 m)	122 hp (90 kW)

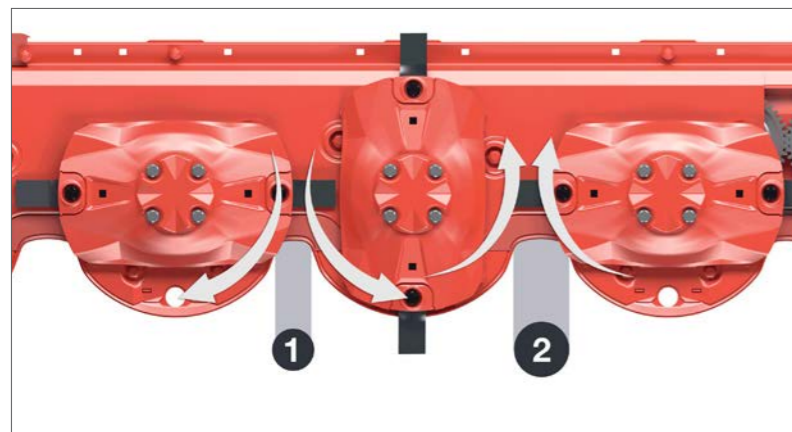
EXCLUSIVE OPTIDISC® ELITE CUTTERBAR



A CLEAN & CONSISTENT CUT

THE OPTIDISC ELITE® CUTTERBAR: LUBED-FOR-LIFE

The Optidisc Elite cutterbar requires no break-in oil change or scheduled maintenance for the life of the machine. It has a narrow profile allowing the crop to move through quickly, for smooth flow even in heavy, difficult conditions.



OPTIDISC ELITE CROP CONTROL

The innovative design offers exclusive differential disc spacing. Narrower spacing at **diverging discs (1)** provides greater knife overlap for cleaner cutting. Wider spacing at **converging discs (2)** provides greater capacity by allowing crop to quickly exit the cutterbar.



ULTIMATE PROTECTION

Externally removable Protectadrive® disc bearing stations provide maximum reliability and quick service. They protect the cutterbar from damage if a major obstacle is struck in the field.



OUTSTANDING CROP LIFT

The cutting discs and end cones provide high crop lift, allowing cut materials to quickly leave the cutterbar and enter the conditioner, especially in thick crop conditions.



FAST-FIT® KNIVES

Fast-Fit knives are quick and easy to change with the use of a simple tool, yet still provide the optimum cut quality and knife life seen with the standard system. With Fast-Fit knives, you can achieve up to 50% time savings.

PRECISE CONDITIONING OPTIONS

All models in the FC TL and FC TC Series are available with one of three conditioner options. Regardless of the conditioner type selected, quick and easy adjustments allow the machine to match field conditions for even and consistent conditioning, promoting faster drydown and higher feed value.



FINGER MODELS

The DigiDry® finger conditioner provides consistent drying of grass and legume crops in various conditions with little maintenance. Wide rotor, finger-style conditioning increases crop-on-crop rubbing to strip off the waxy cuticle layer, helping the stems dry at the same rate as the leaves. The built-in breakback feature helps protect against damage from rocks and other foreign materials.



RUBBER ROLLER MODELS

Diamond Block® conditioning rollers stand out from the competition as the only rubber roller set designed exclusively for a disc mower. The horizontal staggered diamond pattern gives more points for the crop to be crimped as it flows off the disc at an angle. Adjustment of the roll pressure and roll gap is simple and can be done quickly in the field.



STEEL ROLLER MODELS

The DoubleCrimp™ steel roller design provides consistent crimping and even feeding of thicker crops and extended life in difficult and abrasive conditions. The steel construction allows for longer life while ensuring thorough conditioning of more delicate crops like alfalfa. Adjustment of the roll pressure and roll gap are simple and can be done quickly in the field.



SIMPLE SPEED CHANGES

The simple 2-speed gearbox eliminates the need to swap pulleys and belts to change rotor speeds. A quick switch of the lever position slows the DigiDry® finger conditioning rotor to 755 RPM for delicate legume crops or speeds it up to 1000 RPM for tough grasses.



MULTIPLE HOOD POSITIONS

Quickly and easily select from one of five hood positions to fine-tune the intensity of the DigiDry crop conditioning. Depending on the type of crop and volume, periodic adjustments may be needed to ensure desired conditioning.

TIGHT TURNS AND CLEAN, SQUARE CORNERS



RUGGED BUILD AND SIMPLE MAINTENANCE



SIMPLE DRAWBAR HITCH

The drawbar hitch is easy to hook up and the heavy-duty build provides dependability and long life. The built-in swivel allows movement in three dimensions to easily adapt to uneven field conditions.



TWO-POINT CAT. 2/3N HITCH

The Cat. 2/3N quick hitch compatible 2-point hitch provides a fully controlled connection and allows easy adjustment to maintain a level PTO. It also provides more ground clearance for previously mowed crop to pass through. Connecting arms pivot during hookup for easy alignment. All connecting quick hitches must meet standard ASABE specifications.



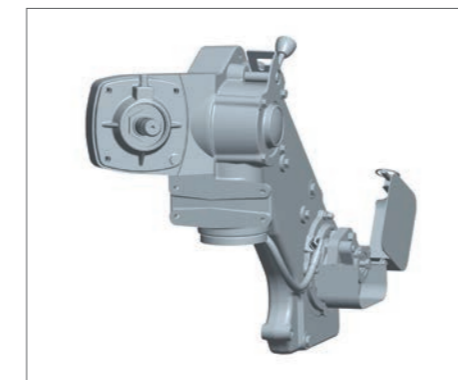
GYRODINE® SWIVEL HITCH

The heavy-duty Gyrodine swivel hitch is a gearbox designed to withstand the most severe pull-through force from the hitch to the machine. The swivel design allows turns in excess of 90° while keeping the PTO driveline straight. This design allows extremely tight turns for clean, square corners while minimizing PTO vibration and wear.



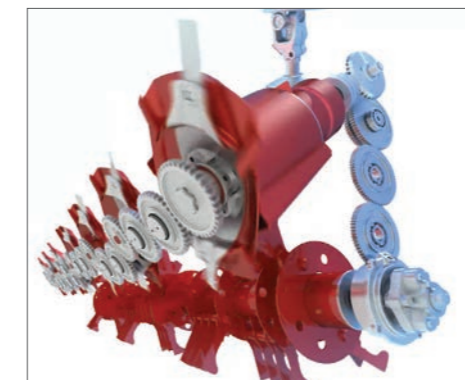
HIGH-STRENGTH STEEL FRAME

The high-strength steel frame provides sturdy support for the heavy-duty cutterbar and conditioner. Pound-for-pound, this material provides 50% greater tensile strength than mild steel. This lightweight, yet high-strength design reduces horsepower requirements and fuel consumption.



HEAVY-DUTY MAIN GEARBOX

The main gearbox is the core of the unit, specially built by KUHN to efficiently and reliably transfer power to the cutterbar and conditioner. The direct drive eliminates periodic checks on belt tightness and wear.



BUILT-IN ROTOR PROTECTION

To help prevent damage to the gearbox in the unlikely event of an overload or ingestion of a large foreign object, the shear bolt hub on the DigiDry® conditioner drive allows the operator to clear the obstruction from the conditioner, quickly rotate the inner hub into position, install the new shear bolt and return to mowing. Machines with roller conditioners use a specially designed gearbox for direct drive simplicity and reliability. Shear protection on these machines is similar and can be quickly replaced in the field.



MAINTENANCE-FREE DRIVE SHAFT

Unlike competitive models that require daily greasing, the drive shaft to the cutterbar uses maintenance-free U-joints. These joints reduce overall maintenance and eliminate excessive wear from improper greasing.

CUTTING-EDGE MOWER CONDITIONERS

The FC TL trailed, side-pull mower conditioners offer fast, clean mowing of heavy grasses and delicate forage crops combined with quick drydown from consistent, effective conditioning. Windrow widths can vary from narrow to wide to adapt to different harvest practices and field conditions. These machines are the most advanced side-pull mower conditioners in the industry with the operational simplicity you want and the performance you demand for the maximum return on your investment.

SIMPLE WINDROW ADJUSTMENT

Windrow widths can be adjusted starting at a 3' (0.9 m) narrow windrow and going up to a 8'8" (2.6 m) wide windrow, depending on the model. When creating a windrow, the swathboard, located at the rear of the conditioning system, acts as a guide and directs the crop stream higher up on the fixed forming shields, resulting in a progressively narrower windrow.



EIGHT SET POSITIONS

The single-point adjustment handle offers eight windrow width positions to match different harvesting practices and field conditions. Additional fine-tuning is possible by rotating the adjustment plate. Positions closer to the positive symbol mean wider windrows and positions closer to the negative symbol indicate the swathboard is up and will result in narrower windrows.

HYDRAULIC SWING TONGUE

The hydraulic swing tongue can be easily adjusted from transport to working position from the tractor seat. The long tongue enables full-width mowing, even on severe side hills. The swing tongue allows the mower to be centered behind the tractor in transport, providing the minimum possible transport width relative to the working width. A manual lock valve is located by the cylinder to protect against accidental engagement during transport.



CONSTANT FLOAT® SUSPENSION

The header is suspended on each side by a long, large-diameter spring that provides a constant range of flotation. The floating head lifts up and back, and oscillates from side to side, to closely follow ground contours and conform to irregular terrain. This reduces the amount of missed crop in the field and helps keep soil out of the harvested crop.



PRO-ACTIVE LIFT®

This maintenance-free system allows the machine to quickly adapt to abrupt changes in terrain or when an obstruction is encountered in the field. The cutting head is able to move up and back simultaneously, dissipating the force of any impact and providing space to clear the obstacle. This unique design reduces scalping to preserve crop stubble and helps protect the machine from potential damage. A slotted linkage on each side provides guidance for the header and eliminates the need to run the hydraulics in the float position.



EASY CUTTING HEIGHT ADJUSTMENT

The header tilt turnbuckle provides a single point for cutting height adjustment. This allows fast, easy changing of the cutting height without the need for any tools.



TRAILED MOWER CONDITIONERS FC TC



FAST MOWING, FAST DRYDOWN

When productivity matters most, the FC TC trailed, center-pivot mower conditioners are the choice for you! These machines provide fast mowing and rapid, consistent drydown for maximum efficiency and a high-quality crop. With the broadest range of windrow width settings in the industry, they offer an unmatched ability to adapt to different harvest practices and field conditions.

ADVANCED SUSPENSION

The torsion bar suspension system provides exceptional flotation to precisely follow ground contours. The torsional resistance can be easily fine-tuned to match the header ground pressure to different field conditions and operating speeds. A built-in slotted linkage eliminates the need to run the hydraulics in the float position.

ARTICULATED CUTTING HEAD

The articulated head flexes up and down to closely follow ground contours. At the same time, the rear of the unit is linked to the main frame, keeping crop dispersal at a constant height relative to the ground. This allows more consistent crop flow and better formed windrow.



ADJUSTABLE FORMING SHIELDS

The adjustable forming shields allow the windrow width to be varied to match different harvest practices and weather conditions. Preset indications allow you to precisely match the settings on both sides. When not in use, the shields are easily removed and placed in the storage position on the tongue on models with the DigiDry® conditioner.



REAR HOOD ADJUSTMENT

The rear hood can be angled up and down to either stand crop up for windier conditions or lay crop flat for sunnier conditions. It can be easily flipped to the opposite side to engage the fins to create the widest windrows possible on wide spreading models.



WIDE SPREADING

To spread the crop out and take advantage of sunny conditions for drying, crop can be laid out to over 90% of the cutting width. To keep mowed crop from being thrown into uncut areas on smaller models, the rear vanes pivot left and right via a pivoting cylinder. On the FC 4061 and FC 4461, the fixed vanes help you get the widest possible spread for the best possible dry down.

Standard on finger conditioner models and optional on roller models.



Machine shown above is a European model. North American model equipped with steel side sheets.

TRAILED MOWER CONDITIONERS FC 3561 TCD RA

MOWING & MERGING IN ONE PASS

The FC 3561 TCD RA trailed, center-pivot disc mower conditioner with windrow merger sets a new level of reliability and durability in the market. This machine incorporates the high-quality features of the trailed machines, with a integrated windrow merger. With the ability to mow and merge on the left or right side of the tractor, this machine is ideal for operators making haylage/baleage, or custom operators looking for a mower conditioner with the added capability of merging in a single pass. It is also capable of running in combination with a front mounted FC DF mower conditioner.

VERSITILE WINDROWS

The machine can be used solely as a mower conditioner with the windrow merger in the raised position for use in dry hay applications.

SWITCH BOX CONTROLS

All merger and conveyor functions are controlled from the in-cab switch box for operator comfort. Integrated valves and hydraulic system allows for automatic lifting and lowering of the belt.

OPTIONAL EQUIPMENT

FC TL & TC Series



HEADER TILT TURNBUCKLE

An optional hydraulic turnbuckle provides a single point of adjustment for header cutting height. A convenient gauge on the turnbuckles shows an estimated cutting height for quick field adjustments.



HIGH-LIFT SKID SHOES

If you require a higher cut height for certain crops or rocky conditions, a variety of raised skid shoes are available for cutting between 1.8" – 4.7" (4.5 – 12 cm).



CROP LIFTERS

Recommended only for sorghum or other hard-feeding crops.

FC TL Series



CV SECONDARY PTO SHAFT

For flexibility to steer around obstacles in the field with the mower's hydraulic swing cylinder, or to mow directly behind the tractor without PTO chatter, a secondary PTO shaft, equipped with a constant velocity joint, can be factory ordered or field installed.



PLASTIC ROCK GUARD

A rock guard can be mounted on the underside of the front hood for added protection in rocky conditions.

Technical Specifications

FC Series

SIDE-PULL MODELS	FC 2861			FC 3161			FC 3561		
	TLD	TLR	TLS	TLD	TLR	TLS	TLD	TLR	TLS
Width of Cut	9'2" (2.8 m)			10'2" (3.1 m)			11'6" (3.5 m)		
Transport Width	9'4" (2.8 m)			10'4" (3.2 m)			11'8" (3.6 m)		
Transport Length	18'4" (5.6 m)			19'3" (5.9 m)			19'3" (5.9 m)		
Min. – Max. Windrow Width	3' – 6'8" (0.9 m – 2 m)			3' – 7'8" (0.9 m – 2.3 m)			3' – 8'8" (0.9 m – 2.6 m)		
Hitch Type	Drawbar or 2-Point Cat 2/3N			Drawbar or 2-Point Cat 2/3N			Drawbar or 2-Point Cat 2/3N		
Conditioning System	Finger	Rubber Roller	Steel Roller	Finger	Rubber Roller	Steel Roller	Finger	Rubber Roller	Steel Roller
Tire Size	9.5L-15SL			9.5L-15SL			12.5L-15SL		
Number of Discs	6			7			8		
PTO Speed (RPM)	540 (1,000 Optional)			540 (1,000 Optional)			540 (1,000 Optional)		
Disc Rotational Speed (RPM)	2,815			2,815			2,815		
Cutting Height	1.4" – 2.6" (35-65 mm) Optional Raised Skids Available			1.4" – 2.6" (35-65 mm) Optional Raised Skids Available			1.4" – 2.6" (35-65 mm) Optional Raised Skids Available		
Conditioning Speed (RPM)	755 & 1,000	780		755 & 1,000	780		755 & 1,000	780	
Conditioner Width	72" (1.8 m)	78" (2 m)		89" (2.3 m)	95" (2.4 m)		105" (2.7 m)	111" (2.8 m)	
Suspension Travel	+10" to -5.75" (+25.4 to -14.6 cm)			+10" to -5.75" (+25.4 to -14.6 cm)			+10" to -5.75" (+25.4 to -14.6 cm)		
Machine Weight	3,240 lbs (1,470 kg)	3,500 lbs (1,588 kg)	3,461 lbs (1,569 kg)	3,861 lbs (1,751 kg)	4,161 lbs (1,887 kg)	4,115 lbs (1,867 kg)	4,300 lbs (1,950 kg)	4,600 lbs (2,087 kg)	4,550 lbs (2,064 kg)
Hydraulic Requirement	Two Double-Acting			Two Double-Acting			Two Double-Acting		
Minimum Power Requirement	67 hp (50 kW)			80 hp (61 kW)			93 hp (70 kW)		

Technical Specifications

FC Series

CENTER-PIVOT MODELS	FC 3161			FC 3561			FC 3561	FC 4061			FC 4461		
	TCD	TCR	TCS	TCD	TCR	TCS	TCD RA	TCD	TCR	TCS	TCD	TCR	TCD
Width of Cut	10'2" (3.1 m)			11'6" (3.5 m)			11'6" (3.5 m)	13'1" (4.0 m)			14'5" (4.4 m)		
Transport Width	10'4" (3.2 m)			11'6" (3.5 m)			11'8" (3.6 m)	13'2" (4.0 m)			14'7" (4.5 m)		
Transport Length	22'1" (6.7 m)			22'1" (6.7 m)			24'8" (7.5 m)	23'11" (7.3 m)			26'6" (8.1 m)		
Min. – Max. Windrow Width	2'11" – 7'7" (0.9 m – 2.3 m)			3'7" – 8'10" (1.1 m – 2.7 m)			3'7" – 8'10" (1.1 – 2.7 m)	3'7" – 8'10" (1.1 m – 2.7 m)			3'7" – 8'10" (1.1 m – 2.7 m)		
Max. Wide Spreading	9'2" (2.8 m)			10'4" (3.2 m)			10'4" (3.2 m)	12'2" (3.7 m)			12'2" (3.7 m)		
Hitch Type	Drawbar or 2-Point Cat 2/3N			Drawbar or 2-Point Cat 2/3N			Drawbar or 2-Point Cat 2/3N	Drawbar or 2-Point Cat 2/3N			Drawbar or 2-Point Cat 2/3N		
Conditioning System	Finger	Rubber Roller	Steel Roller	Finger	Rubber Roller	Steel Roller	Finger	Finger	Rubber Roller	Steel Roller	Finger	Rubber Roller	Steel Roller
Tire Size	12.5L – 15SL			12.5L – 15SL			400/60 x 15.5	12.5L – 15SL			12.5L – 15SL		
Number of Discs	7			8			8	9			10		
PTO Speed (RPM)	540 (1,000 Optional)			1,000			1,000	1,000			1,000		
Disc Rotational Speed (RPM)	2,900			2,900			2,900	2,900			2,900		
Cutting Height	1.4" – 2.6" (35-65 mm) Optional Raised Skids Available			1.4" – 2.6" (35-65 mm) Optional Raised Skids Available			1.4" - 2.6" (35 to 65 mm) Optional raised skids available	1.4" – 2.6" (35-65 mm) Optional Raised Skids Available			1.4" – 2.6" (35-65 mm) Optional Raised Skids Available		
Conditioning Speed (RPM)	755 & 1,000	780		755 & 1,000	780	780	780 & 1,000	755 & 1,000	780		755 & 1,000	780	
Conditioner Width	97" (2.5 m)			113" (2.9 m)			113" (2.9 m)	113" (2.9 m)			113" (2.9 m)		
Suspension Travel	+10" to -5.75" (+25.4 to -14.6 cm)			+10" to -5.75" (+25.4 to -14.6 cm)		+10" to -5.75" (+25.4 to -14.6 cm)	+10" to -5.75" (+25.4 to -14.6 cm)	+10" to -5.75" (+25.4 to -14.6 cm)			+10" to -5.75" (+25.4 to -14.6 cm)		
Machine Weight	5,213 lbs (2,365 kg)	5,523 lbs (2,505 kg)	5,423 lbs (2,461 kg)	5,545 lbs (2,515 kg)	5,765 lbs (2,615 kg)	5,665 lbs (2,570 kg)	6,724 lb (3,050 kg)	5,850 lbs (2,655 kg)	6,120 lbs (2,775 kg)	6,020 lbs (2,730 kg)	6,240 lbs (2,830 kg)	6,405 lbs (2,905 kg)	6,305 lbs (2,861 kg)
Hydraulic Requirement	1 SA & 1 DA			1 SA & 1 DA			1 SA & 1 DA	1 SA & 1 DA			1 SA & 1 DA		
Minimum Power Requirement	80 hp (60 kW)			93 hp (70 kW)			91 hp (67 kW)	107 hp (80 kW)			122 hp (90 kW)		

MyKUHNS

THE LINK TO MY SUCCESS

MyKUHNS is your online customer portal where you can access machine operator's manuals, parts catalog and more! The site is available on computer, phone or tablet, so you can access your fleet's information anywhere around the farm. Create an account and register your KUHNS equipment today!



MORE PRODUCTS TO MEET YOUR NEEDS!



1. Tedders - 2. Wheel Rakes - 3. Rotary Rakes - 4. Mergers - 5. Balers - 6. TMR Mixers - 7. Manure Spreaders - 8. Tedder/Rake Combination

KUHNS NORTH AMERICA, INC. | Corporate Headquarters | 1501 West Seventh Avenue - Brodhead, WI 53520

For more information about your nearest KUHNS dealer, visit our website www.kuhn.com

Information given in this document is only for informational purposes and is non-contractual. Our machines are in compliance with North American safety standards. In our literature, and for improved illustration of certain details, some safety devices may not be in operating position. When operating these machines, these devices must be operated in accordance with the requirements indicated in the operator's manuals and assembly manuals. We reserve the right to change any designs, specifications or materials listed without further notice. Machines and equipment in this document can be covered by at least one patent and/or registered design. Trademarks cited in this document may be registered in one or several countries.

Printed in USA 706544US 0721 Copyright 2021 Kuhn North America, Inc.

