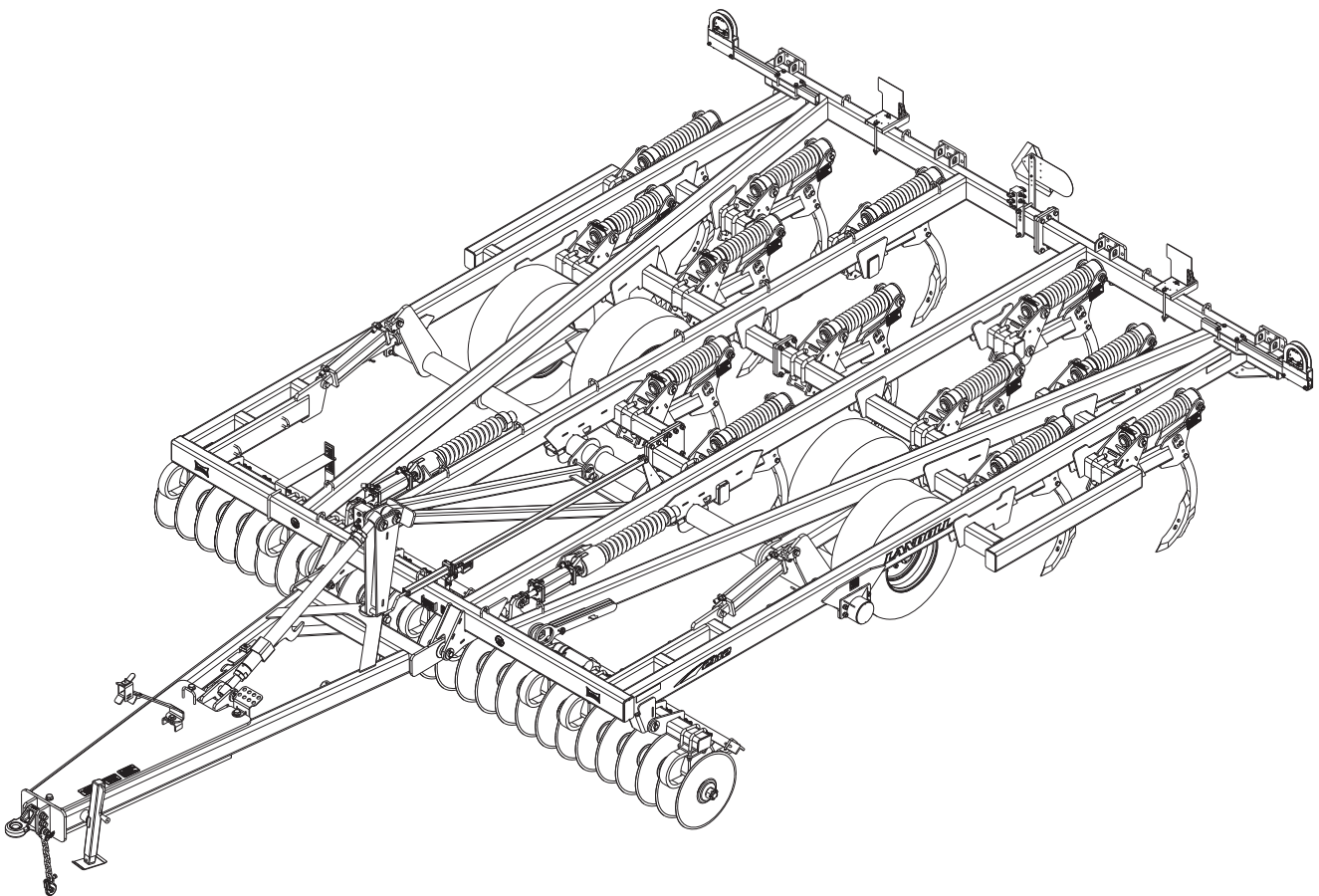




Model 2112 Coulter Chisel Parts Manual



LANDOLL COMPANY, LLC

1900 North Street

Marysville, Kansas 66508

(785) 562-5381

800-428-5655 ~ WWW.LANDOLL.COM

Manuals for the 2112 CC

MANUAL NUMBER	MANUAL NAME
F-1102	2112 CC Operator's Manual
F-1103	2112 CC Parts Manual

Table of Contents

1 Illustrated Parts List

Instructions For Ordering Parts	1-1
Center Frame Assemblies	1-2
Center Frame Assembly 2112-9-11	1-3
Center Frame Assembly 2112-13-15	1-5
Center Frame Lift Assembly 2112-9-11	1-7
Center Frame Lift Assembly 2112-13-15	1-9
Depth Stop Assembly	1-10
Hitch Assemblies	1-12
Hitch Assembly	1-13
Hitch Leveling Assembly	1-15
Ball & Clevis Hitches	1-16
7,000 Lb. Sidewind Jack Assembly	1-17
Radius Rod Assembly	1-18
Hub & Spindles	1-20
Hub and Spindle Assembly - 223440	1-21
Shank Assemblies	1-22
Auto Reset Clamp Assembly	1-23
Rigid Shear Bolt Clamp Assembly	1-25
Coulter Gang Assemblies	1-26
Coulter Gang Assembly	1-27
Coulter Gang To Frame Assembly	1-31
Coulter Gang Placement	1-33
Lift Hydraulic Assemblies	1-34
Lift Hydraulic Assembly	1-35
Hydraulic Coulter Gang Assemblies	1-36
Hydraulic Coulter Gang Assembly	1-37
Cylinder Assemblies	1-38
Cylinder Assembly - 4 X 16	1-38
Cylinder - Rephase Assembly 4 X 8 (Prince)	1-40
Cylinder - Rephase Assembly 4 X 8 (Midway)	1-41
Cylinder - Rephase Assembly 3-3/4 X 8 (Prince)	1-42
Cylinder - Rephase Assembly 3-3/4 X 8 (Midway)	1-43
Cylinder - 2-1/2" X 3-1/2"	1-44
Electrical	1-45
Electrical Assembly W/ LED Lights	1-47
Decals	1-49
Decal Locations & Arrangements	1-51
Standard 3BCT/Chopper Assemblies	1-52
Std 3BCT/Chopper Layout	1-54
Std Combo Harrow Arm Long Assembly	1-57
Std Combo Harrow Arm Short Assembly	1-59
Hydraulic 3BCT/Chopper Assemblies	1-60

Hyd 3BCT/Chopper Layout	1-62
Hyd Combo Harrow Arm Long Assembly	1-65
Hyd Combo Harrow Arm Short Assembly	1-69
Tine Harrow Assembly	1-71
3BCT/Chopper Hydraulic Assembly 2112-09	1-73
3BCT/Chopper Hydraulic Assembly 2112-11-13-15	1-75
Standard Chopper Reel Assemblies	1-76
Std Chopper Reel Layout	1-78
Std Chopper Arm Long Assembly	1-81
Std Chopper Arm Short Assembly	1-83
Hydraulic Chopper Reel Assemblies	1-84
Hyd Chopper Reel Layout	1-86
Hyd Chopper Arm Long Assembly	1-89
Hyd Chopper Arm Short Assembly	1-91
Reel/Gangbar Assembly	1-93
Chopper Reel Hydraulic Assembly 2112-09	1-95
Chopper Reel Hydraulic Assembly 2112-11-13-15	1-97
Rear Tow Hitch	1-98
Rear Tow Hitch Assembly (1 of 2)	1-99
Rear Tow Hitch Assembly (2 of 2)	1-101

2 Index

Illustrated Parts List

Instructions For Ordering Parts

ORDER PARTS FROM LANDOLL PARTS DISTRIBUTION CENTER

**** Repair parts must be ordered through an Authorized Dealer ****

PHONE NO: 1-800-423-4320 OR 1-785-562-5381
ORDER ONLINE: Dealer.landoll.com

FAX NO: 888-527-3909

IDENTIFICATION PLATE

The identification plate, which lists the model number and serial number, is located on the front of the frame.
See Figure 1-1.

SERIAL NUMBER NOMENCLATURE

The serial number for the 2112 CC is located on the identification plate.

QR CODE DECAL

The 2100 series QR code decal, may be scanned to link you to the most current manuals, is located on the front of the frame *See Figure 1-1.*

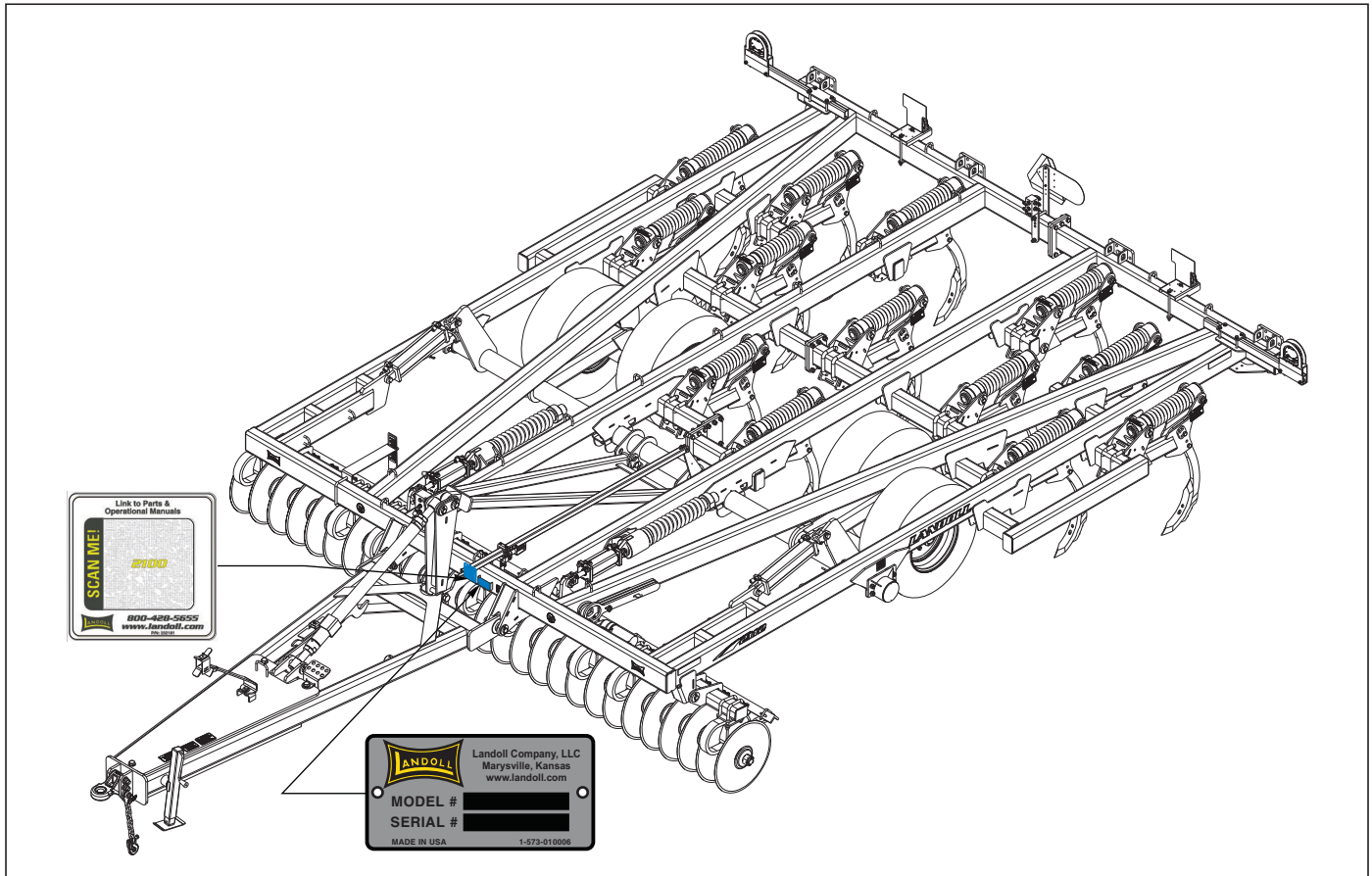


Figure 1-1: Identification Plate and QR Decal

Center Frame Assemblies

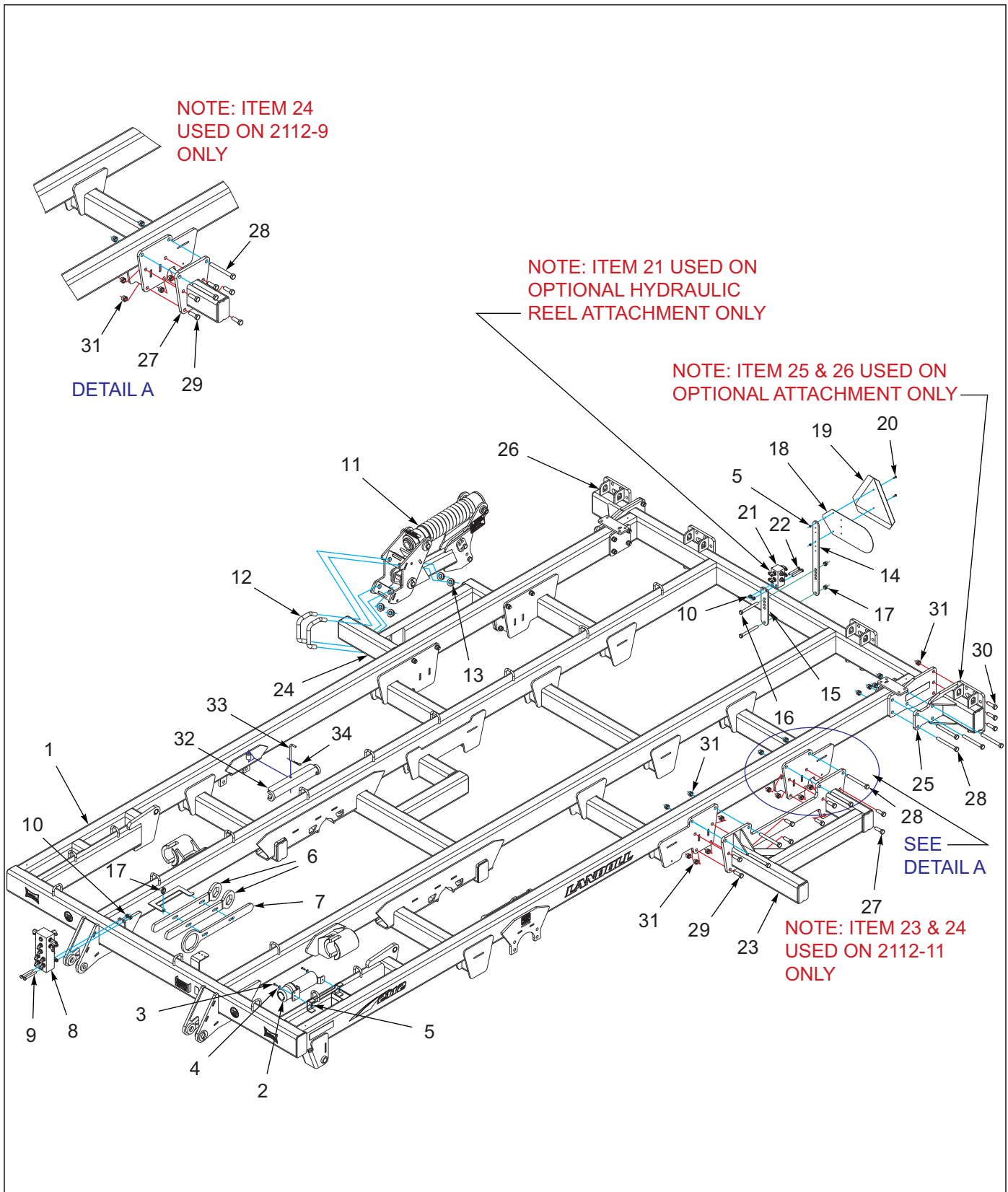


Figure 1-2: Center Frame Assembly 2112-9-11

Center Frame Assembly 2112-9-11

ITEM	PART NO.	DESCRIPTION	QTY.
1	229946	FRAME, CENTER 2112-9/11 WLDMT	1
2	142753	MANUAL HOLDER	1
3	1-654-010047-06	SCREW,HX CP 1/4-20UNCX1 GR5	2
4	1-861-010032-07	WASHER,FLAT 1/4 ZP	2
5	1-512-010005-01	NUT,HEX,SLFLKG GRB 1/4-20	4
6	140533	GANG WRENCH	2
7	147070	WRENCH, 2100 COULTER GANG	1
8	231301	MANIFOLD, FRONT 2112-9/11 ASSY	1
9	1-654-010055-13	SCREW,HEX CAP,1/2-13UNCX4 GR5	2
10	1-512-010005-09	NUT,HEX,SLFLKG, 1/2-13 GRB	4
11	174740	ASSY, CLAMP W/MOUNT RT (SEE PAGE 1-23)	
11	174786	ASSY, CLAMP W/ MOUNT LT (SEE PAGE 1-23)	
12	174749	U-BOLT, 1" SHANK CLAMP	2
13	174732	NUT, FLG HD, TOPLOCK, 1-8 UNC	4
14	164142	BRACKET, SMV MOUNTING	1
15	222503	BRACKET, MANIFOLD MOUNT	1
16	1-654-010059-17	SCREW,HX CP,5/8-11UNCX6 GR5	2
17	1-512-010005-13	NUT,HEX SLFLKG GRB 5/8-11	2
18	224590	MOUNT, SIS DECAL	1
19	70260977	SMV EMBLEM	1
20	1-654-010047-06	SCREW,HX CP 1/4-20UNCX1 GR5	2
21	2-474-010022	MANIFOLD HYDRAULIC, 8 HOSE	1
22	1-654-010055-11	SCREW,HX CP 1/2-13UNCX3-1/2	2
23	229954	EXTENSION, 2 SHANK, LT WLDMT (USED ON 2112-11 ONLY)	1
24	229953	EXTENSION, 2 SHANK, RT WLDMT (USED ON 2112-11 ONLY)	1
25	229968	EXTENSION, HARROW LT WLDMT (USED ON ATTACHMENT ONLY)	1
26	229967	EXTENSION, HARROW RT WLDMT (USED ON ATTACHMENT ONLY)	1
27	222574	EXTENSION,1SHANK W/PLATE WLDMT (USED ON 2112-9 ONLY)	2
28	102209	SCREW HXCP 3/4-10X7 GR8	20
29	100941	SCREW,HEXCAP,3/4-10X2-1/4G8ZP	24
30	104483	SCREW 3/4-10X2-1/2 HXCP ZPGR8	6
31	1-512-010005-15	NUT,HEX,SLFLKG GRB 3/4-10	60
32	146828	LOCKOUT, 1-1/2 ROD X 16 WLDMT	2
33	104358	L PIN,CYL STOP	2
34	1-557-010403	HAIRPIN 1/8	2

ILLUSTRATED PARTS LIST

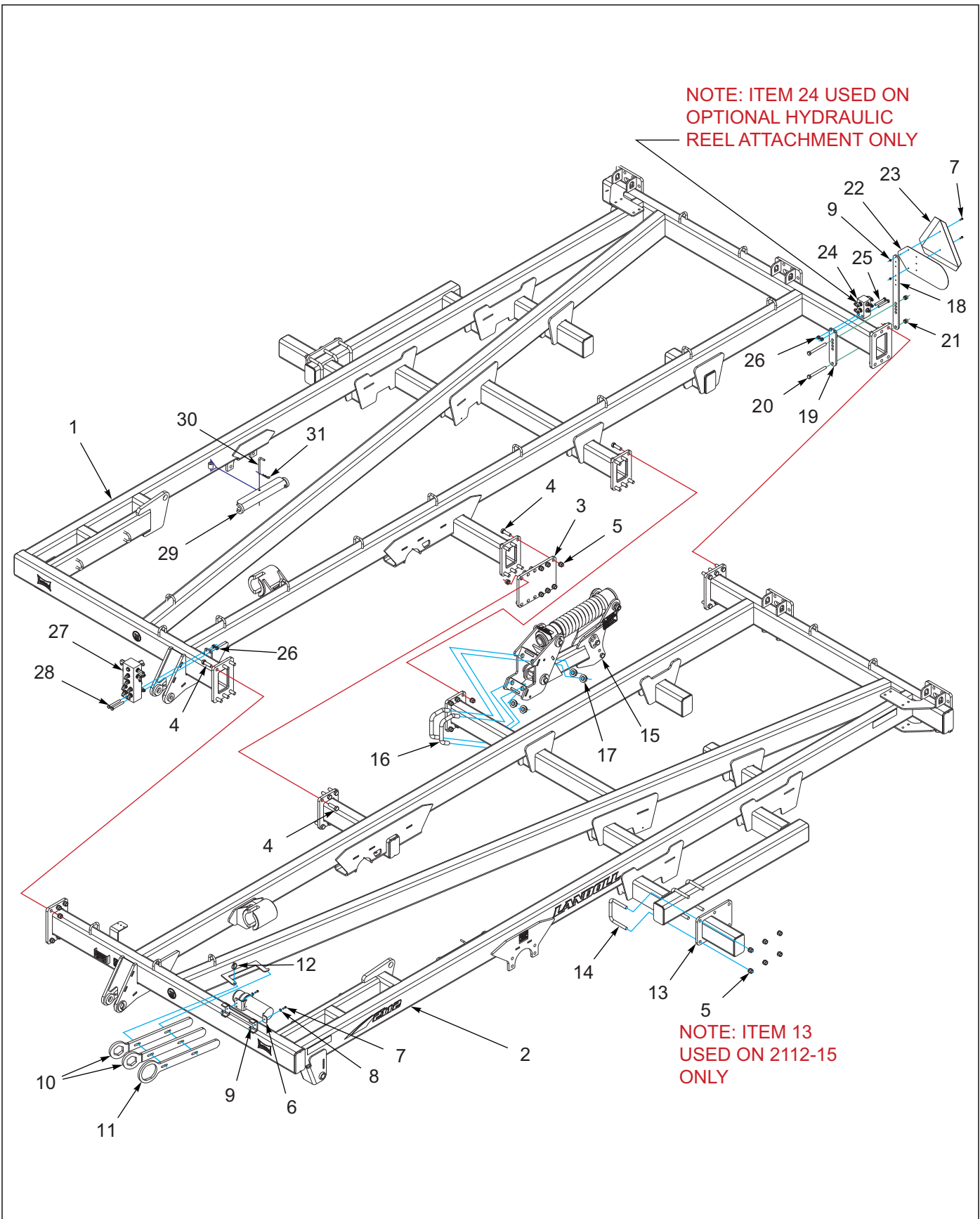


Figure 1-3: Center Frame Assembly 2112-13-15

Center Frame Assembly 2112-13-15

ITEM	PART NO.	DESCRIPTION	QTY.
1	225075	FRAME, CENTER RT WLDMT	1
2	225076	FRAME, CENTER LT WLDMT	1
3	225200	PLATE, FRAME CENTER	1
4	104483	SCREW 3/4-10X2-1/2 HXCP ZPGR8	30
5	1-512-010005-15	NUT,HEX,SLFLKG GRB 3/4-10	42
6	142753	MANUAL HOLDER	1
7	1-654-010047-06	SCREW,HX CP 1/4-20UNCX1 GR5	4
8	1-861-010032-07	WASHER,FLAT 1/4 ZP	2
9	1-512-010005-01	NUT,HEX,SLFLKG GRB 1/4-20	4
10	140533	GANG WRENCH	2
11	147070	WRENCH, 2100 COULTER GANG	1
12	70239854	PIN QUICK HITCH	1
13	146733	EXTENSION, 1 SHANK WLDMT (USED ON 2112-15 ONLY)	2
14	111392	U-BOLT, GAUGE WHEEL 1550	6
15	174740	ASSY, CLAMP W/MOUNT RT (SEE PAGE 1-23)	
15	174786	ASSY, CLAMP W/ MOUNT LT (SEE PAGE 1-23)	
16	174749	U-BOLT, 1" SHANK CLAMP	2
17	174732	NUT, FLG HD, TOPLOCK, 1-8 UNC	4
18	164142	BRACKET, SMV MOUNTING	1
19	222503	BRACKET, MANIFOLD MOUNT	1
20	1-654-010059-17	SCREW,HX CP,5/8-11UNCX6 GR5	2
21	1-512-010005-13	NUT,HEX SLFLKG GRB 5/8-11	2
22	224590	MOUNT, SIS DECAL	1
23	70260977	SMV EMBLEM	1
24	2-474-010022	MANIFOLD HYDRAULIC, 8 HOSE (USED ON HYDRAULIC REEL ATTACHMENT ONLY)	1
25	1-654-010055-11	SCREW,HX CP 1/2-13UNCX3-1/2	2
26	1-512-010005-09	NUT,HEX,SLFLKG, 1/2-13 GRB	4
27	228277	MANIFOLD, FRONT 2112 ASSY	1
28	1-654-010055-13	SCREW,HEX CAP,1/2-13UNCX4 GR5	2
29	146828	LOCKOUT, 1-1/2 ROD X 16 WLDMT	2
30	104358	L PIN,CYL STOP	2
31	1-557-010403	HAIRPIN 1/8	2

ILLUSTRATED PARTS LIST

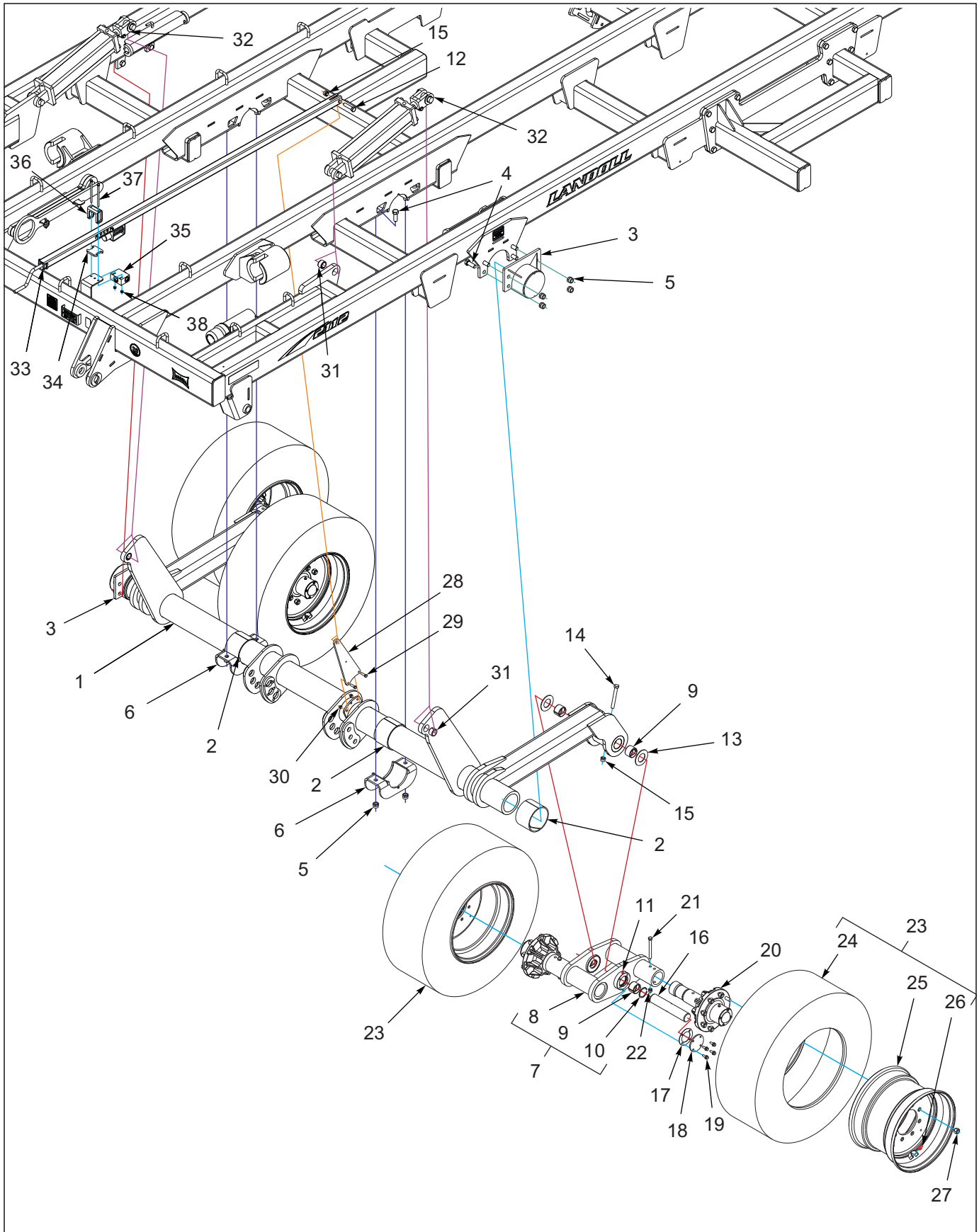


Figure 1-4: Center Frame Lift Assembly 2112-9-11

Center Frame Lift Assembly 2112-9-11

ITEM	PART NO.	DESCRIPTION	QTY.
1	229950	LIFT, 2112-9/11 WLDMT	1
2	140519	BEARING, UHMW 4IN	4
3	141209	BEARING CAP, LIFT WLDMT	2
4	1-654-010061-05	SCREW,HHC,3/4-10UNCX2,GR5,ZP	12
5	1-512-010005-15	NUT,HEX,SLFLKG GRB 3/4-10	12
6	141234	WLDMT, BEARING CAP LIFT	2
7	217591	ASSY, WALKER 3"T (INCLUDES ITEMS 8, 9, 10, 11)	2
8	217547	WALKING TANDEM-3" SP WLDMT	2
9	130052	BUSHING,SPRING 2-1/4X2X1-1/2	8
10	217559	SNAP RING, INTERNAL-2-1/4	4
11	171024	FITTING, GREASE 5/16-24 STR	8
12	1-654-010059-07	SCREW HX CP 5/8-11UNCX2-1/2G5	1
13	171070	WASHER, THRUST 2	4
14	1-654-010059-15	SCREW,HEX CAP,5/8-11UNCX5 GR5	2
15	1-512-010005-13	NUT,HEX SLFLKG GRB 5/8-11	3
16	217593	SPINDLE, WALK BEAM 2"	2
17	217627	GASKET, ENDCAP	8
18	217626	ENDCAP, WALKER	8
19	219795	SCREW, HEX FLANGE HD, 3/8 X 1	32
20	223440	ASSY, 8 BOLT HUB & SPINDLE (SEE PAGE 1-21)	4
21	1-654-010055-15	SCR, HX CP, 1/2-13UNCX5 GR5	4
22	1-512-010005-09	NUT,HEX,SLFLKG, 1/2-13 GRB	4
23	228255	BKT340TIRE ASSY POS1.13 OFFSET (MODELS 2112-9-11) (INCLUDES ITEMS 24, 25, 26)	4
23	215351	TIRE&WHL ASSY, VF410/50R16.5 (MODEL 2112-11) (INCLUDES ITEMS 24, 25, 26)	4
23	221272	BKT 380 TIRE&WHL ASSY POS 1.5" (MODEL 2112-9)	4
24	228256	BKT TIRE 340/65R 18 IMP (USED WITH 228255) (MODELS 2112-9-11)	4
24	215352	TIRE, VF410/50R16.5 (USED WITH 215351) (MODEL 2112-11)	4
24	221270	BKT TIRE 380/55R 16.5 IMP (USED WITH 221272) (MODEL 2112-9)	4
25	228257	WHEEL, 8 BOLT, POS 1.13 OFFSET (USED WITH 228255)	4
25	157001	WHL 16.5X12NEG.51 OFST,8BOLT (USED WITH 215351) (MODEL 2112-11)	4
25	171011	WHL 16.5X12 POS 1.5 OFFST 8BLT (USED WITH 221272) (MODEL 2112-9)	4
26	TR575	VALVE STEM TUBELESS TIRE	4
27	102600	NUT,WHEEL BOLT, 5/8	32
28	169727	PLATE, DEPTH STOP TALL	1
29	1-654-010051-06	SCREW,HEX CAP 3/8-16UNCX1-1/4	2
30	1-512-010005-05	NUT, HEX, SLFLKG GRB 3/8-16	2
31	2-150-010174	BUSHING,1-5/8X1-1/4X1	4
32	144322	CYLINDER, 4 X 16 (SEE PAGE 1-38)	2
33	229851	ASSY, DEPTH STOP 90 L (SEE PAGE 1-10)	1
34	165257	PAD, SLIDE	1
35	203467	VALVE-LIMIT, STROKE	1
36	165265	GUIDE, DEPTH STOP	1
37	171556	SCREW,HEX CP,5/16-18UNCX5-1/2	2
38	1-512-010005-03	NUT HEX SLFLKG GRB 5/16-18	2

ILLUSTRATED PARTS LIST

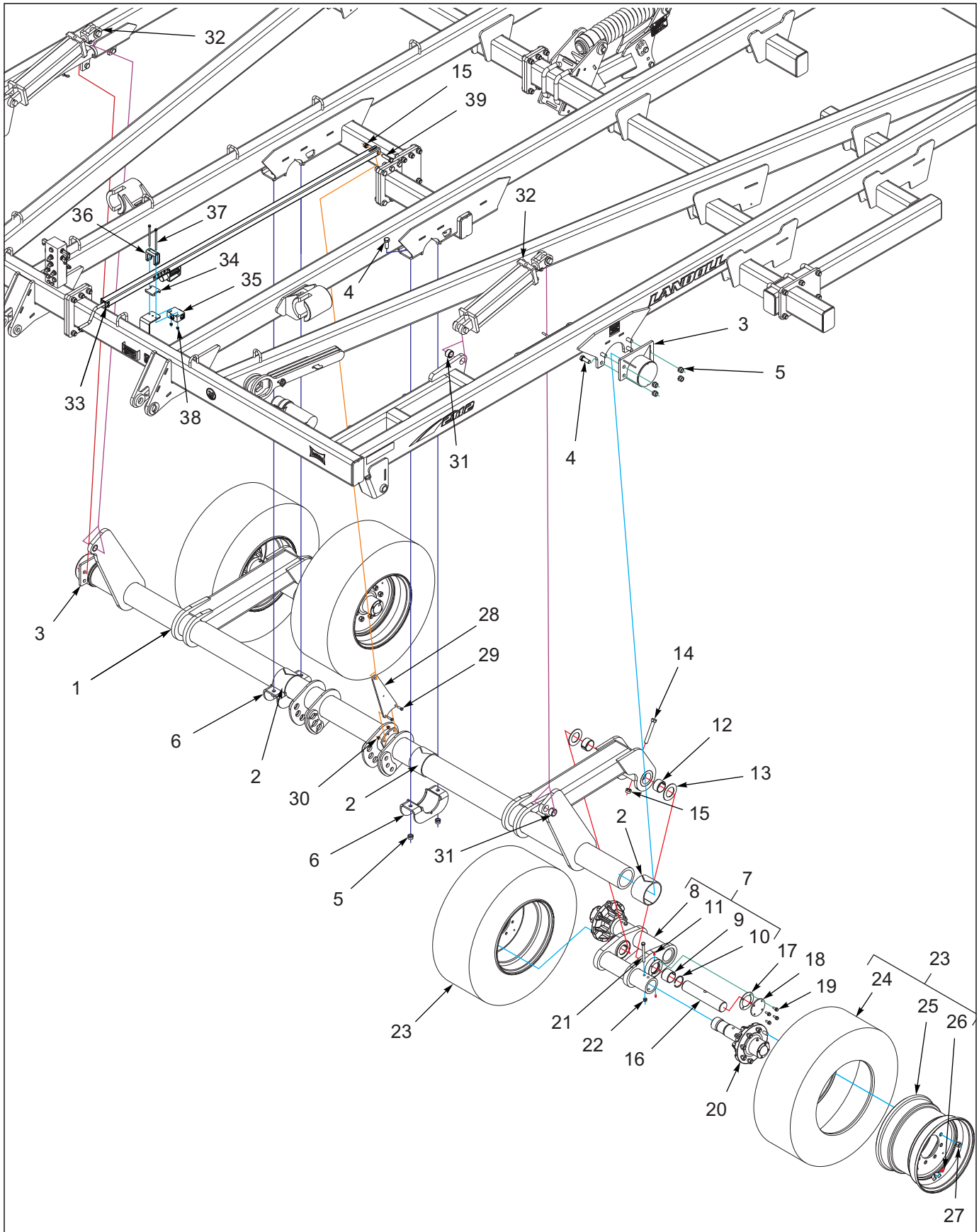


Figure 1-5: Center Frame Lift Assembly 2112-13-15

Center Frame Lift Assembly 2112-13-15

ITEM	PART NO.	DESCRIPTION	QTY.
1	225085	LIFT, 2112-13/15 WLDMT	1
2	140519	BEARING, UHMW 4IN	4
3	141209	BEARING CAP, LIFT WLDMT	2
4	1-654-010061-05	SCREW,HHC,3/4-10UNCX2,GR5,ZP	12
5	1-512-010005-15	NUT,HEX,SLFLKG GRB 3/4-10	12
6	141234	WLDMT, BEARING CAP LIFT	2
7	223526	ASSY, WALKER 3SP/2-1/2 PIN (INCLUDES ITEMS 8, 9, 10, 11	2
8	223525	WALKING TANDEM2-1/2,3 SP WLDMT	2
9	217561	BUSHING, SPRING 2-3/4X2-1/2X2	4
10	217560	SNAP RING, INTERNAL 2-3/4	4
11	171024	FITTING, GREASE 5/16-24 STR	8
12	198351	CONNEX, 2-3/4 X 2-1/2 X 1-1/2L	4
13	164563	WASHER, THRUST 2-1/2	4
14	1-654-010061-16	SCREW 3/4-10UNCX5-1/2 HXCP G5	2
15	1-512-010005-15	NUT,HEX,SLFLKG GRB 3/4-10	3
16	223528	SPINDLE, WALKBEAM,2-1/2X12-1/2	2
17	217646	GASKET, ENDCAP	8
18	217568	ENDCAP, WALKER 2-1/2"	8
19	219795	SCREW, HEX FLANGE HD, 3/8 X 1	32
20	223440	ASSY, 8 BOLT HUB & SPINDLE (SEE PAGE 1-21)	4
21	1-654-010055-15	SCR, HX CP, 1/2-13UNCX5 GR5	4
22	1-512-010005-09	NUT,HEX,SLFLKG, 1/2-13 GRB	4
23	228255	BKT340TIRE ASSY POS1.13 OFFSET (MODELS 2112-13-15) (INCLUDES ITEMS 24, 25, 26)	4
23	215351	TIRE&WHL ASSY, VF410/50R16.5 (MODELS 2112-13-15) (INCLUDES ITEMS 24, 25, 26)	4
24	228256	BKT TIRE 340/65R 18 IMP (USED WITH 228255) (MODELS 2112-13-15)	4
24	215352	TIRE, VF410/50R16.5 (USED WITH 215351) (MODEL 2112-13-15)	4
25	228257	WHEEL, 8 BOLT, POS 1.13 OFFSET (USED WITH 228255) (MODELS 2112-13-15)	4
25	157001	WHL 16.5X12NEG.51 OFST,8BOLT (USED WITH 215351) (MODELS 2112-13-15)	4
26	TR575	VALVE STEM TUBELESS TIRE	4
27	102600	NUT,WHEEL BOLT, 5/8	32
28	169727	PLATE, DEPTH STOP TALL	1
29	1-654-010051-06	SCREW,HEX CAP 3/8-16UNCX1-1/4	2
30	1-512-010005-05	NUT, HEX, SLFLKG GRB 3/8-16	2
31	2-150-010174	BUSHING,1-5/8X1-1/4X1	4
32	144322	CYLINDER, 4 X 16 (SEE PAGE 1-38)	2
33	229851	ASSY, DEPTH STOP 90 L (SEE PAGE 1-10)	1
34	165257	PAD, SLIDE	1
35	203467	VALVE-LIMIT, STROKE	1
36	165265	GUIDE, DEPTH STOP	1
37	171556	SCREW,HEX CP,5/16-18UNCX5-1/2	2
38	1-512-010005-03	NUT HEX SLFLKG GRB 5/16-18	2
39	1-654-010059-07	SCREW HX CP 5/8-11UNCX2-1/2G5	1
40	1-512-010005-13	NUT,HEX SLFLKG GRB 5/8-11	1

ILLUSTRATED PARTS LIST

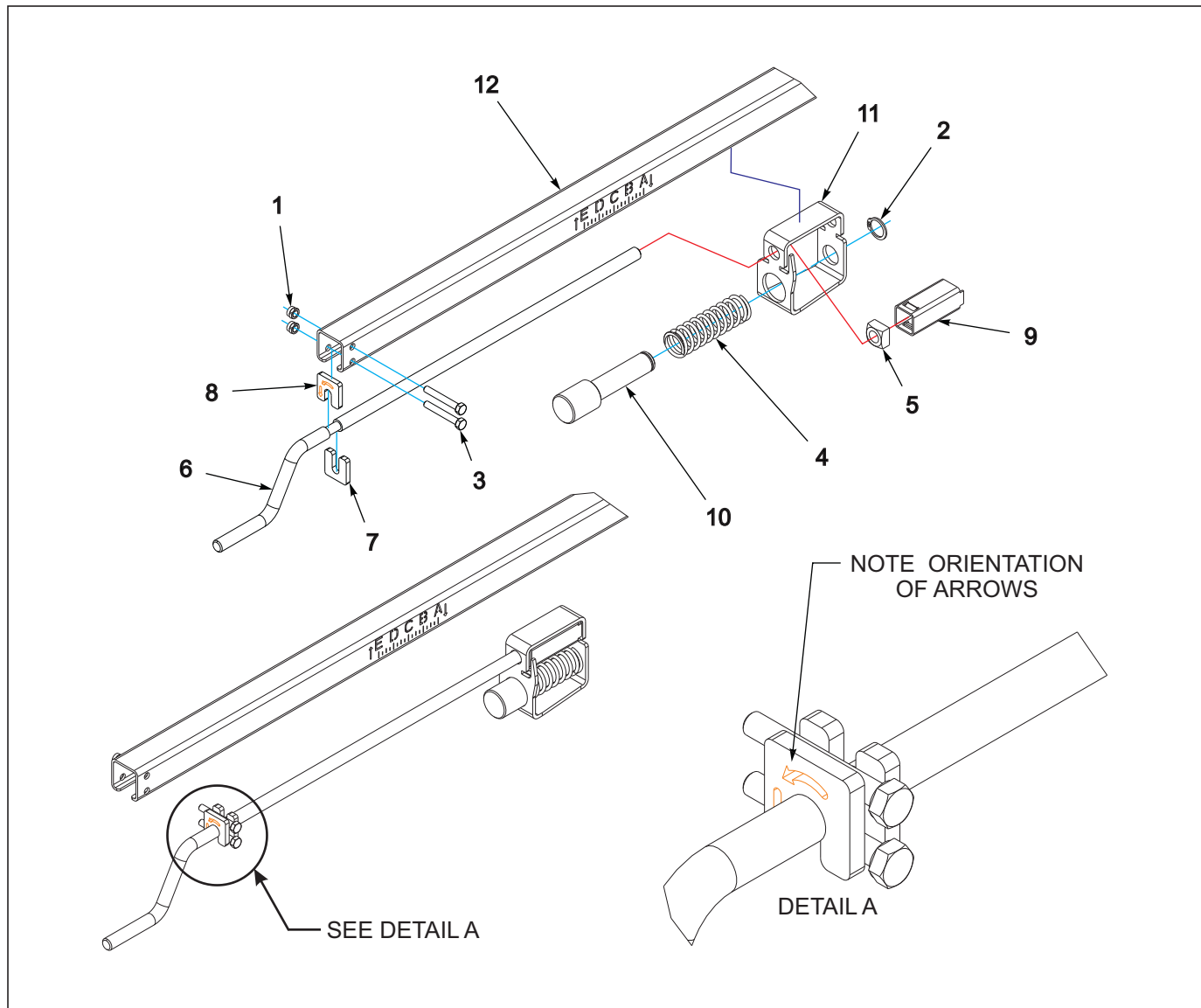


Figure 1-6: Depth Stop Assembly

Depth Stop Assembly

ITEM	PART NO.	DESCRIPTION	QTY.
--	229851	ASSY, DEPTH STOP 90 L	
1	1-630-010021-03	RING, RETAINING 1.0 HD	2
2	108628	SCREW HX CP 5/16-18UNCX2-1/4	1
3	108628	SCREW HX CP 5/16-18UNCX2-1/4	2
4	122917	SPRING COMPRESSION,4-1/2 MONO	1
5	144048	NUT, SQ 5/8-11 GR5	1
6	165258	HANDLE, DEPTH STOP	1
7	165259	STOP, HANDLE LONG	1
8	165260	STOP, HANDLE SHORT	1
9	166717	SQ TUBE, FLOATING	1
10	174708	PIN, DEPTH STOP	1
11	174709	SQ TUBE, DEPTH STOP	1
12	229852	SQ TUBE, DEPTH STOP-90"	1

Hitch Assemblies

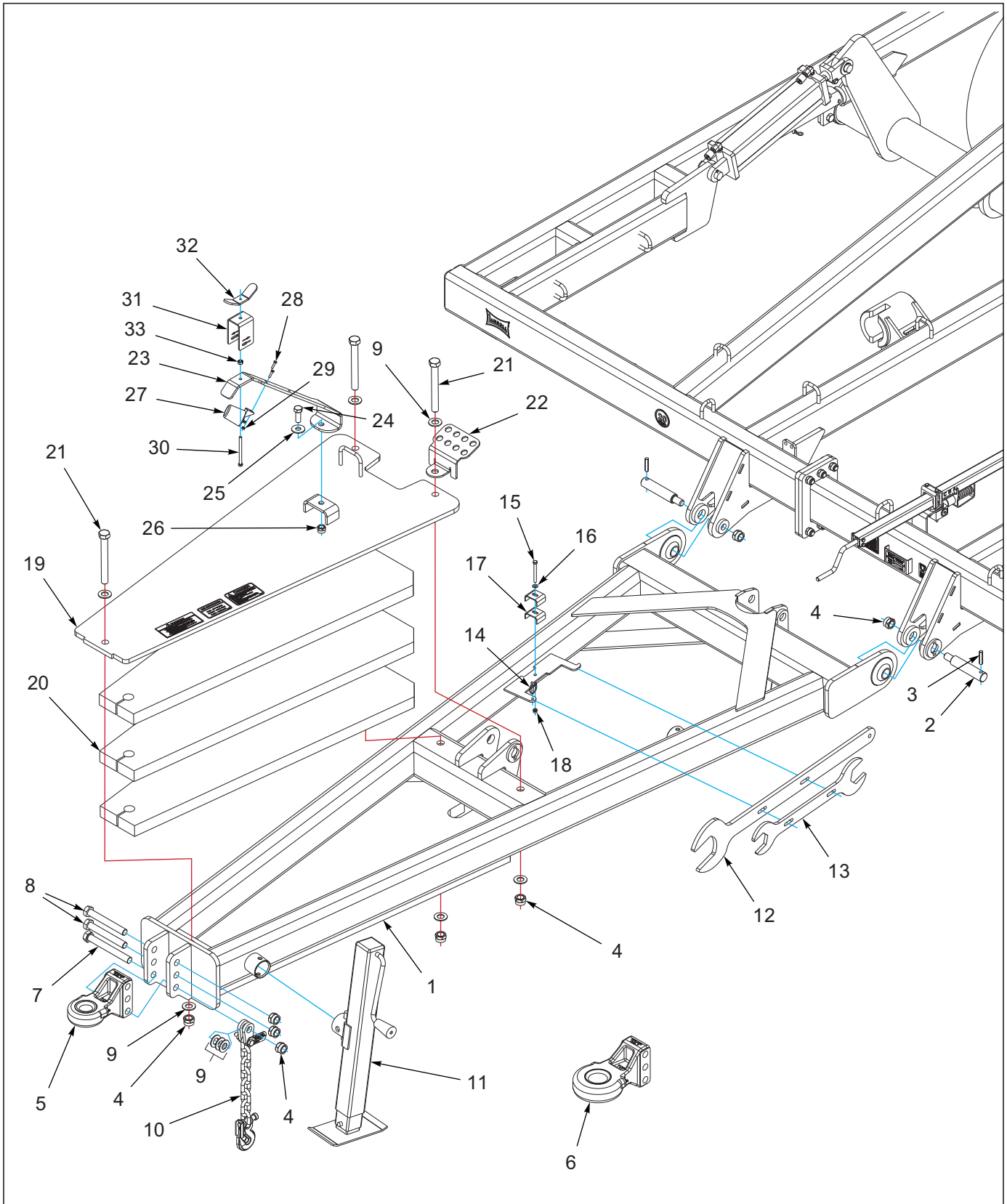


Figure 1-7: Hitch Assembly

Hitch Assembly

ITEM	PART NO.	DESCRIPTION	QTY.
1	225135	HITCH, 2112 WLDMT	1
2	144493	PIN, HITCH	2
3	144115	PIN, GROOVED ALLOY 1/2X2-1/4	2
4	1-512-010005-19	NUT 1-8 HEX SLF-LOCKING GRB	8
5	189451	HITCH, BALL CAT IV 3-HOLE (SEE PAGE 1-16)	1
6	177032	HITCH, BALL CAT V (SEE PAGE 1-16)	1
7	1-654-010125-22	SCREW HX CP 1-8UNCX8-1/2G8ZP	1
8	153696	BOLT, HITCH CLEVIS	2
9	1-861-010032-24	WASHER FL 1IN NARROW ZP	9
10	156950	SAFETY CHAIN, 41,000 LB	1
11	140647	JACK, SIDE WIND 7000/8000 LB (SEE PAGE 1-17)	1
12	179763	WRENCH, ADJUSTMENT	1
13	174404	WRENCH, ADJUSTMENT	1
14	70239854	PIN QUICK HITCH	1
15	1-654-010051-13	SCREW,HX CP,3/8-16UNCX3,GR5	1
16	1-861-010032-10	WASHER, FLAT 3/8" N ZP/CD	1
17	2-181-010001	HOSE CLAMP	2
18	1-512-010005-05	NUT, HEX, SLFLKG GRB 3/8-16	1
19	225147	COVER, HITCH WLDMT	1
20	225146	WEIGHT, HITCH	3
21	114616	SCREW,HHC,1-8UNCX8-1/2,GR5	3
22	228254	PLATE, HOSE STORAGE	1
23	228247	BRACKET, HOSE HOLDER	1
24	1-654-010061-05	SCREW,HHC,3/4-10UNCX2,GR5,ZP	1
25	1-861-010032-21	WASHER, FLAT 3/4 W ZP/CD	1
26	1-512-010005-15	NUT,HEX,SLFLKG GRB 3/4-10	1
27	2-368-010287	HARNESS, STOR-A-WAY	1
28	1-654-010047-06	SCREW,HX CP 1/4-20UNCX1 GR5	2
29	1-512-010005-01	NUT,HEX,SLFLKG GRB 1/4-20	2
30	196754	SCREW,HH 3/8-16X5,GR5,FUL THRD	1
31	177398	CLAMP, HOSE HOLDER, LONG	1
32	141249	WING NUT, HOSE HOLDER	1
33	1-512-010007-07	NUT, HEX 3/8-16 GR2 ZP	1

ILLUSTRATED PARTS LIST

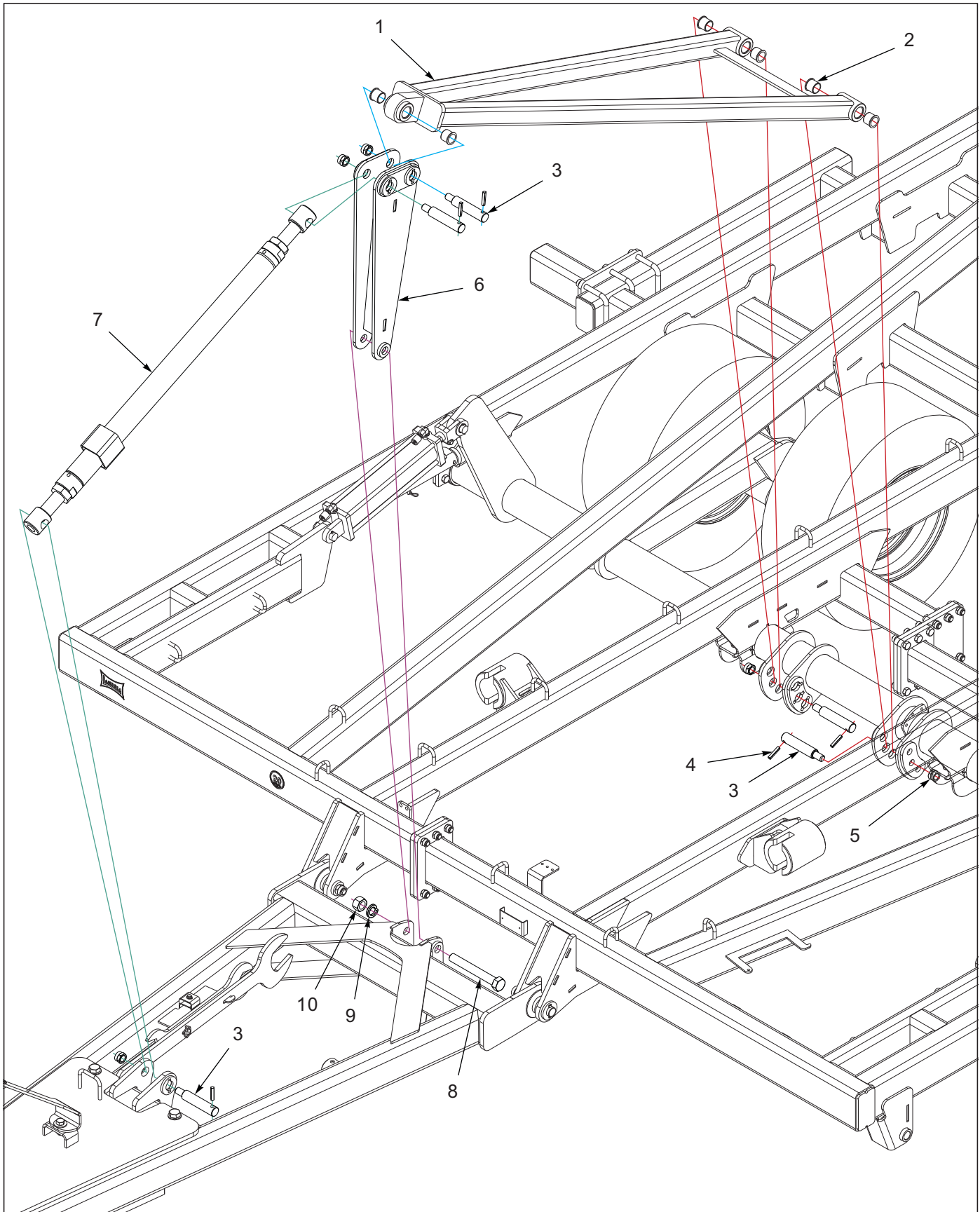


Figure 1-8: Hitch Leveling Assembly

Hitch Leveling Assembly

ITEM	PART NO.	DESCRIPTION	QTY.
1	229854	WLDMT, LEVELER TUBE	1
2	140599	BEARING, FLANGE 1-1/2"	6
3	144493	PIN, HITCH	5
4	144115	PIN, GROOVED ALLOY 1/2X2-1/4	5
5	1-512-010005-19	NUT 1-8 HEX SLF-LOCKING GRB	5
6	184780	TOWER, LEVELER-30" WLDMT	1
7	228224	RADIUS ASSY, 2 THRD, 1-1/2 PIN (SEE PAGE 1-18)	1
8	100808	SCREW CP HXHD 1-1/4-7X9-1/2G8	1
9	100825	WASHER, LKG, HLCL SPR 1-1/4	1
10	1-512-010007-16	NUT,HEX 1-1/4-7 GR2 ZP	1

ILLUSTRATED PARTS LIST

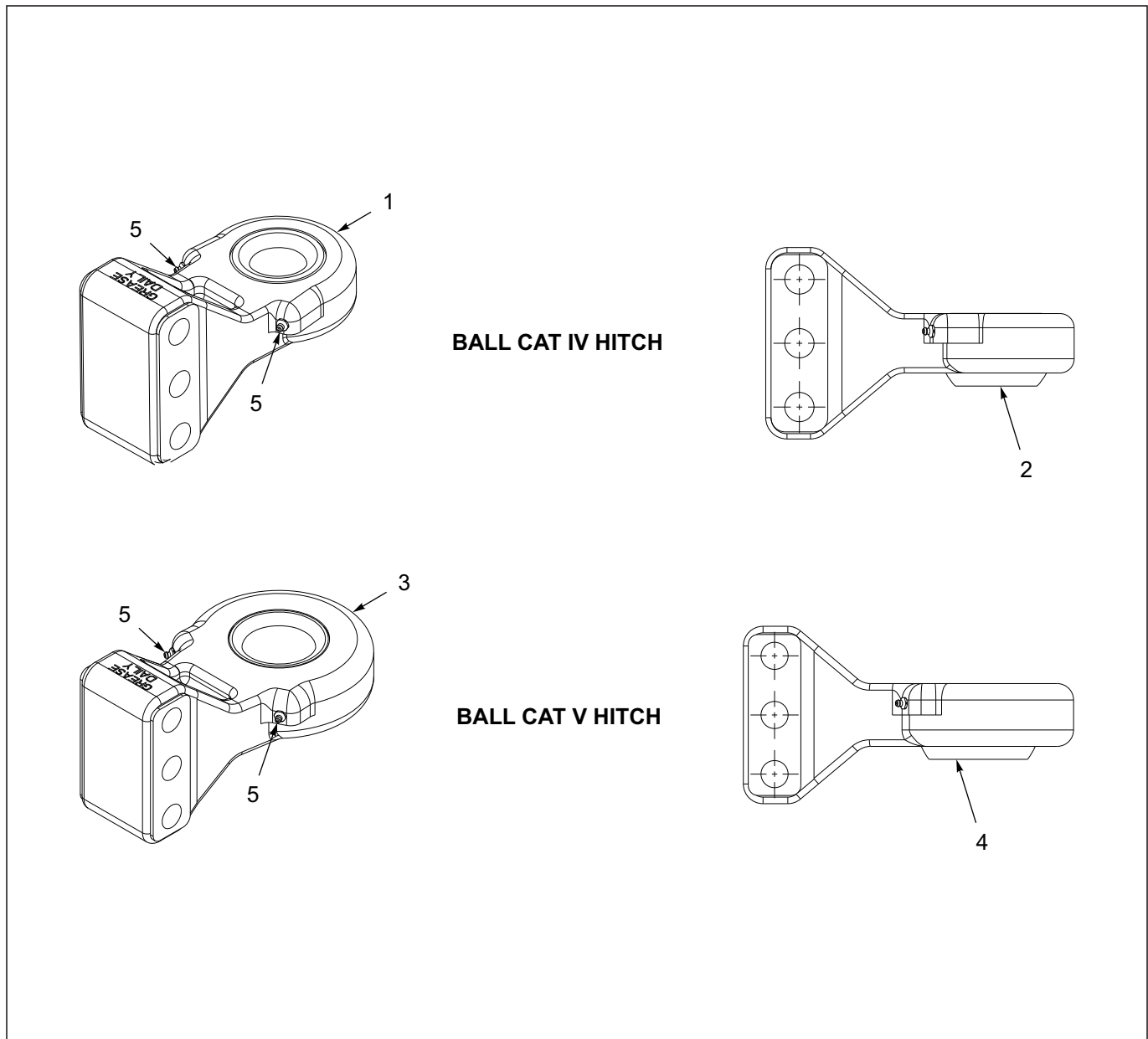


Figure 1-9: Ball & Clevis Hitches

Ball & Clevis Hitches

ITEM	PART NO.	DESCRIPTION	QTY.
1	189451	HITCH, BALL CAT IV 3-HOLE	1
2	189453	BUSHING, SPHERICAL 1-1/2 ID	1
2	189454	BUSHING, SPHERICAL 2 ID	1
3	177032	HITCH, BALL CAT V	1
4	189468	BUSHING, SPHERICAL 2-3/4 ID	1
4	189467	BUSHING, SPHERICAL 2 ID	1
5	1-298-010001-1	ZERK FITTING 1/4 SAE	1

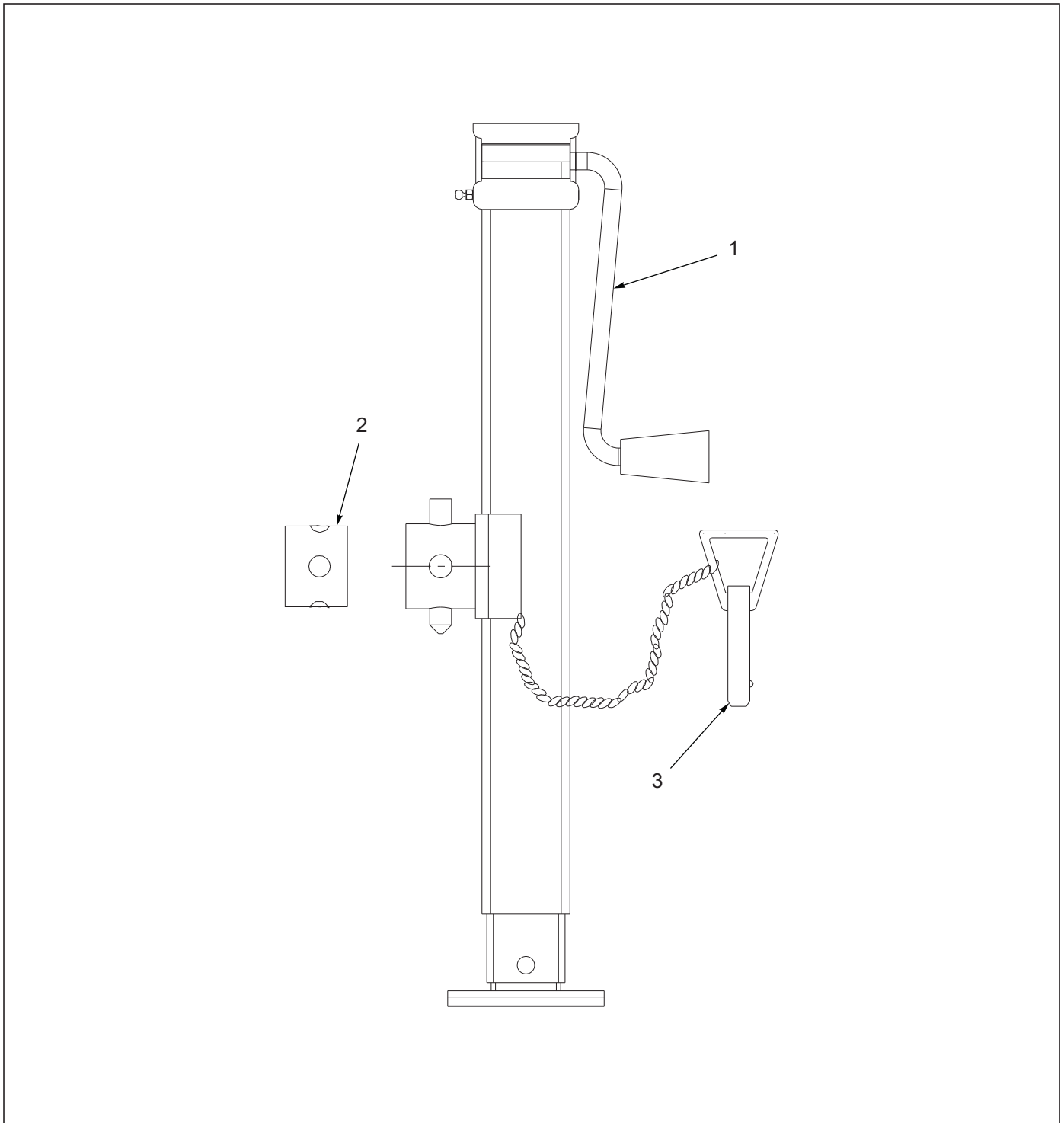


Figure 1-10: 7,000 Lb. Sidewind Jack Assembly

7,000 Lb. Sidewind Jack Assembly

ITEM	PART NO.	DESCRIPTION	QTY.
--	140647	JACK, SIDEWIND 7000LB	
1	500171	HANDLE FOR JACK	1
2	141250	TUBE, RD, JACK MOUNT (WELD TO IMPLEMENT FRAME)	1
3	142194	5/8" PIN	1

ILLUSTRATED PARTS LIST

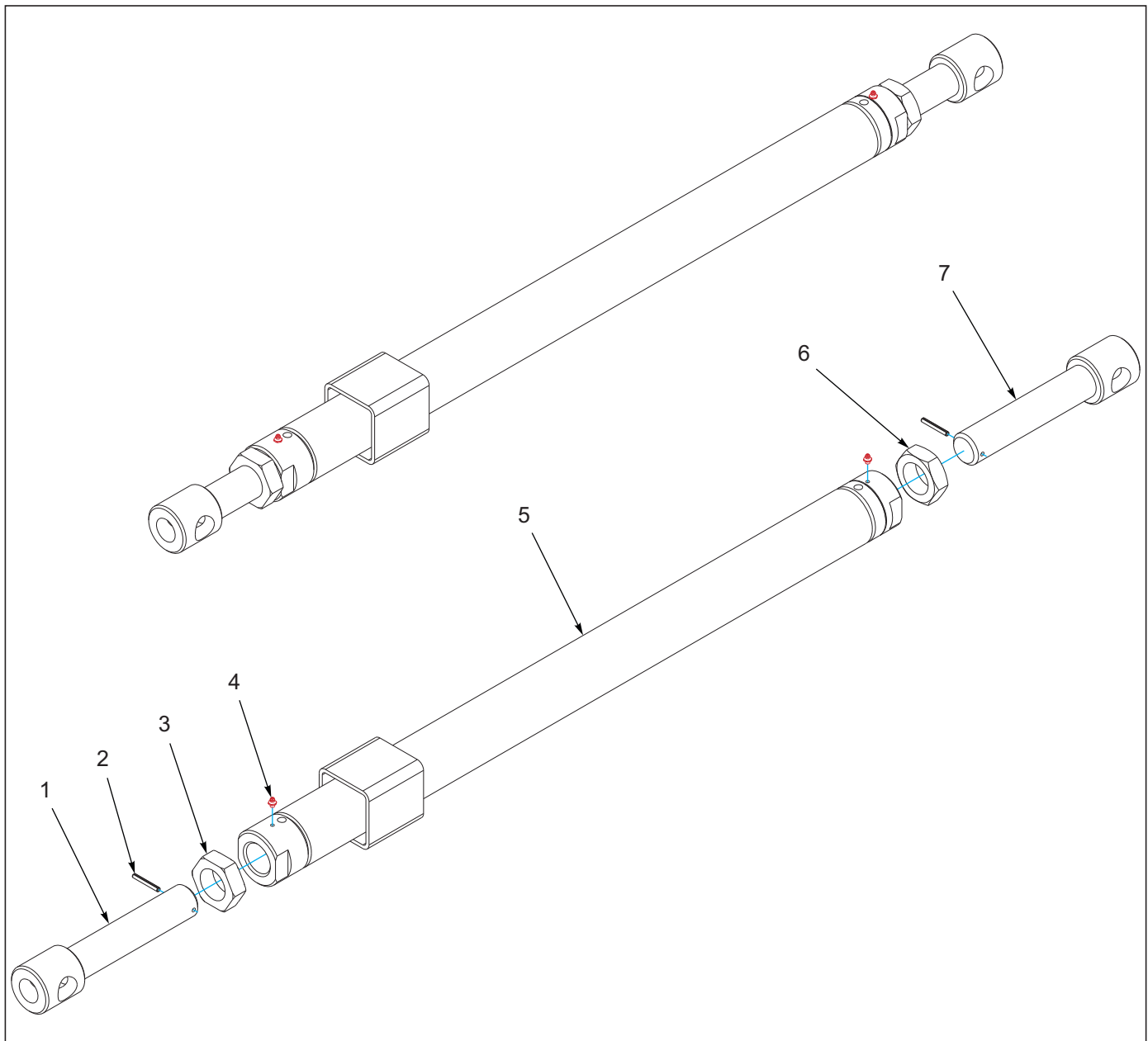


Figure 1-11: Radius Rod Assembly

Radius Rod Assembly

ITEM	PART NO.	DESCRIPTION	QTY.
--	228224	RADIUS ASSY, 2 THRD, 1-1/2 PIN	
1	187181	RH WLDMT,RADROD-2THRD,1-1/2PIN	1
2	1-647-010004221	PIN,SPRING 1/4X2 SLOTTED	2
3	137931	NUT 2-12, HEX JAM, UNF GR 5	1
4	1-298-010001-1	ZERK FITTING 1/4 SAE	2
5	228225	HITCH, RADIUS ROD 2 WLDMT	1
6	139139	NUT 2-12, HEX JAM,LH THRD GR5	1
7	187182	LH WLDMT,RADROD-2THRD,1-1/2PIN	1

Hub & Spindles

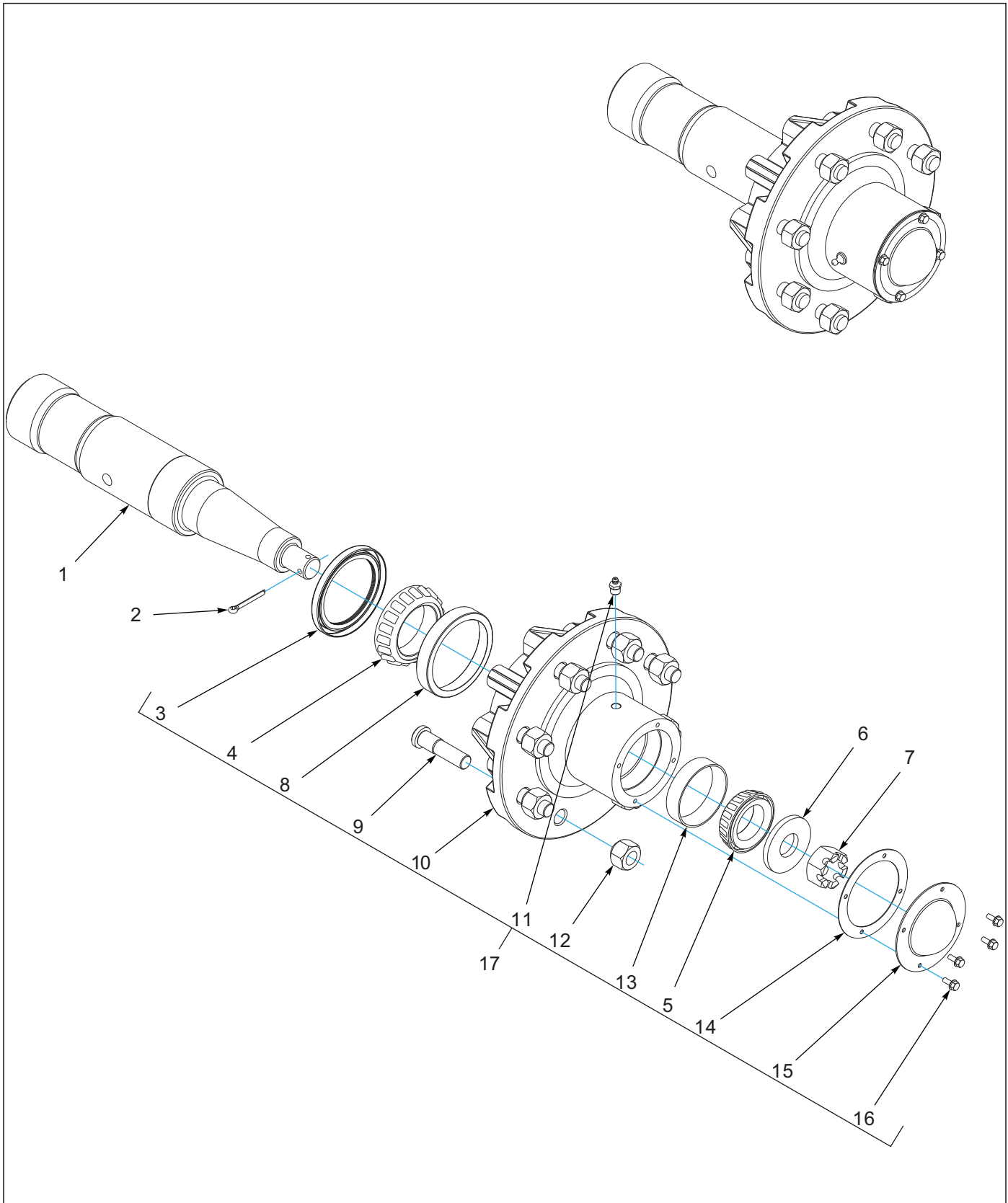


Figure 1-12: Hub and Spindle Assembly - 223440

Hub and Spindle Assembly - 223440

ITEM	PART NO.	DESCRIPTION	QTY.
--	223440	ASSY, 8 BOLT HUB & SPINDLE	
1	156973	SPINDLE 3 X 16-1/2	1
2	1-557-010362-51	PIN, COTTER 3/16X1-1/2	1
3	193089	SEAL, PURGABLE 4 OD X 3 ID	1
4	156979	CONE BEARING - 387AS	1
5	102498	BEARING CONE, OUTER, 1.625	1
6	1-861-010005	WASHER, SPINDLE 1	1
7	1-516-010001-20	NUT, HX SLOT 1-14	1
8	111962	OUTER BEARING CUP L20HD#382A	1
9	4001060	HUB 75-8 BOLTS 5/8-18 STUD	8
10	223435	HUB ASSY W/ CUPS, GASKET, CAP (INCLUDES ITEMS 8, 9, 11-16)	1
11	5000	ZERK FITTING 1/8NPT	1
12	102600	NUT, WHEEL BOLT, 5/8	8
13	102604	BEARING CUP, OUTER	1
14	223439	GASKET, DUST CAP	1
15	223437	DUST CAP, BOLT ON	1
16	223438	SCREW, 10-32X1/2 HEX FLANGE	4
17	168859	HUB ASSY, EIGHT BOLT (SERVICE KIT ONLY)	

Shank Assemblies

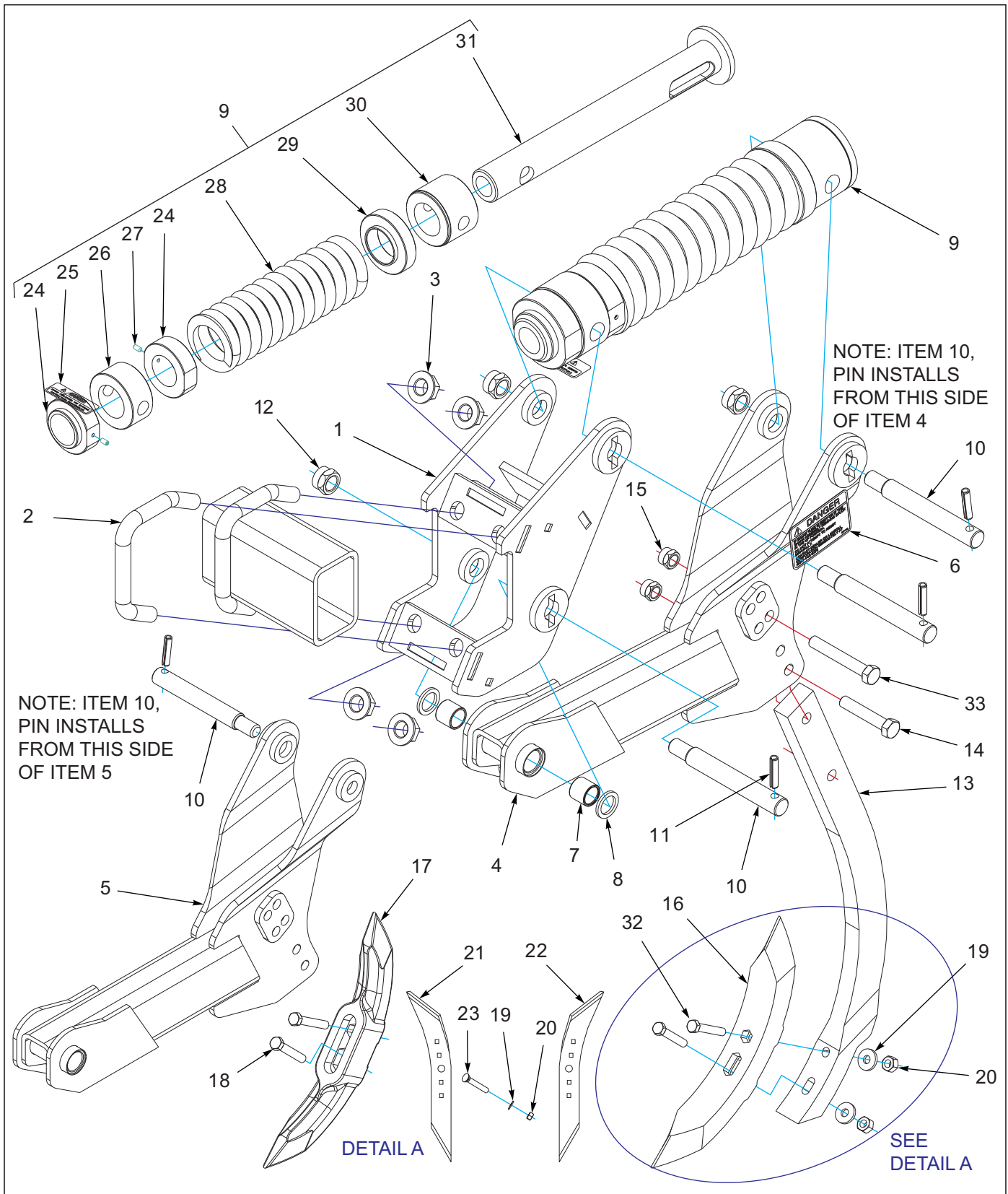


Figure 1-13: Auto Reset Clamp Assembly

Auto Reset Clamp Assembly

ITEM	PART NO.	DESCRIPTION	QTY.
--	174740	ASSY, CLAMP W/MOUNT RT (INCLUDES ITEMS 1, 4, 7-12)	
--	174786	ASSY, CLAMP W/ MOUNT LT (INCUEDS ITEMS 1, 5, 7-12)	
1	174741	CLAMP, WELDMENT SPRING	1
2	174749	U-BOLT, 1" SHANK CLAMP	2
3	174732	NUT, FLG HD, TOPLOCK, 1-8 UNC	4
4	222541	MOUNT,SHANK-RT HEF BRG WLDMT (USED WITH 174740) (INCLUDES ITEM 6)	1
5	222542	MOUNT,SHANK-LT HEF BRG WLDMT (USED WITH 174786) (INCLUDES ITEM 6)	1
6	207142	DECAL, DANGER STUCK SHANK	1
7	217196	BEARING-HEF,1.5 X 1.25 X 1.3	2
8	221229	WASHER, THRUST 1-1/4	2
9	219735	ASSY, SPRING SHANK (INCLUDES ITEMS 24-31)	1
10	144457	PIN, SHANK	3
11	141251	SPRING PIN,SLOTTED 1/2X2-1/4	3
12	1-512-010005-19	NUT 1-8 HEX SLF-LOCKING GRB	3
13	144458	SHANK 1-1/4X2-1/2X32,50DEG	1
14	1-654-010061-13	SCREW,HX CP 3/4-10UNCX4 GR5	2
15	1-512-010005-15	NUT,HEX,SLFLKG GRB 3/4-10	2
16	231300	POINT, 2" CAST FLAT	1
17	172982	POINT, 2" CAST	1
18	201496	SCREW,HX CAP, 1/2-13X3.25 GR8	2
19	153631	WASHER, FLAT 1/2HD	2
20	114911	NUT,HVY HEX,1/2-13UNC GR5	2
21	66826	TW SHVL RH 1/2 X 4W X 26	1
22	66827	TW SHVL LH 1/2 X 4W X 26	1
23	177027	BOLT, PLOW 1/2-13 X 3 GR8	2
24	219737	NUT, SPRING ROD	2
25	2-573-010469	DECAL, DANGER SPRING	1
26	219736	BEARING, SPRING ROD	1
27	114987	SCREW,SET,HX SKT,3/8-16X3/4	2
28	144461	SPRING, COIL COMPRESSION	1
29	144449	WASHER, SPRING ROD	1
30	144451	SLIDE, SPRING ROD	1
31	145173	ROD, SPRING WLDMT	1
32	122726	SCREW HX CP 1/2-13UNCX3-3/4G8	2
33	1-654-010061-15	SCREW,HX CP 3/4-10UNCX5 GR5	1

ILLUSTRATED PARTS LIST

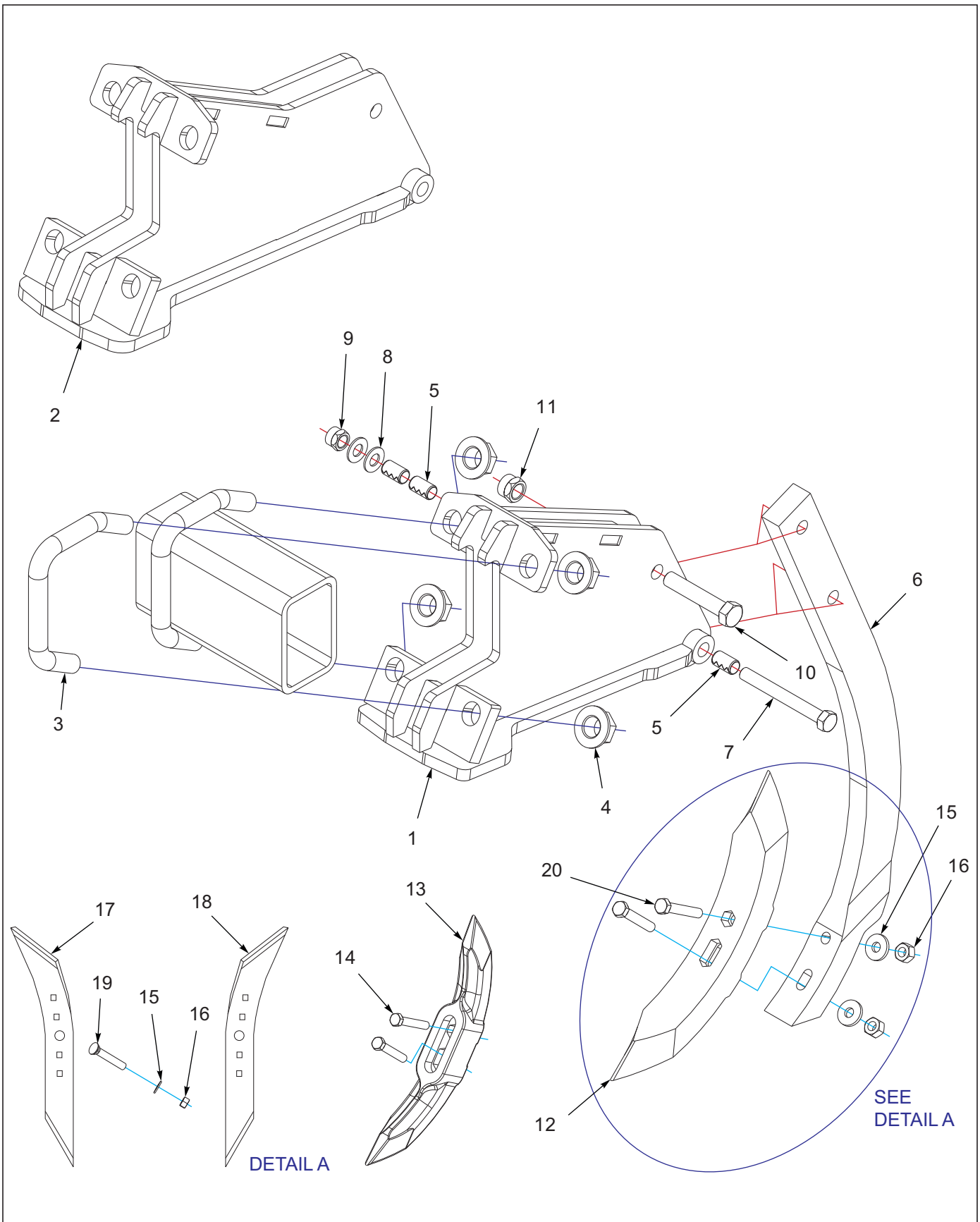


Figure 1-14: Rigid Shear Bolt Clamp Assembly

Rigid Shear Bolt Clamp Assembly

ITEM	PART NO.	DESCRIPTION	QTY.
1	229982	CLAMP,SHEAR BOLT,8" OFFSET WLD	1
2	174772	CLAMP SHEAR BOLT 12"OFFSET WLD	1
3	174749	U-BOLT, 1" SHANK CLAMP	2
4	174732	NUT, FLG HD, TOPLOCK, 1-8 UNC	4
5	150244	BUSHING,CNX-5/8 X 3/4 X 1-1/4	3
6	144458	SHANK 1-1/4X2-1/2X32,50DEG	1
7	167646	SCREW,HX CP,5/8-11UNCX5-1/2GR8	1
8	1-861-010032-18	WASHER, FLAT 5/8 N ZP/CD	2
9	1-512-010005-13	NUT,HEX SLFLKG GRB 5/8-11	1
10	1-654-010061-13	SCREW,HX CP 3/4-10UNCX4 GR5	1
11	1-512-010005-15	NUT,HEX,SLFLKG GRB 3/4-10	1
12	231300	POINT, 2" CAST FLAT	1
13	172982	POINT, 2" CAST	1
14	201496	SCREW,HX CAP, 1/2-13X3.25 GR8	2
15	153631	WASHER, FLAT 1/2HD	2
16	114911	NUT,HVY HEX,1/2-13UNC GR5	2
17	66826	TW SHVL RH 1/2 X 4W X 26	1
18	66827	TW SHVL LH 1/2 X 4W X 26	1
19	177027	BOLT, PLOW 1/2-13 X 3 GR8	2
20	122726	SCREW HX CP 1/2-13UNCX3-3/4G8	2

Coulter Gang Assemblies

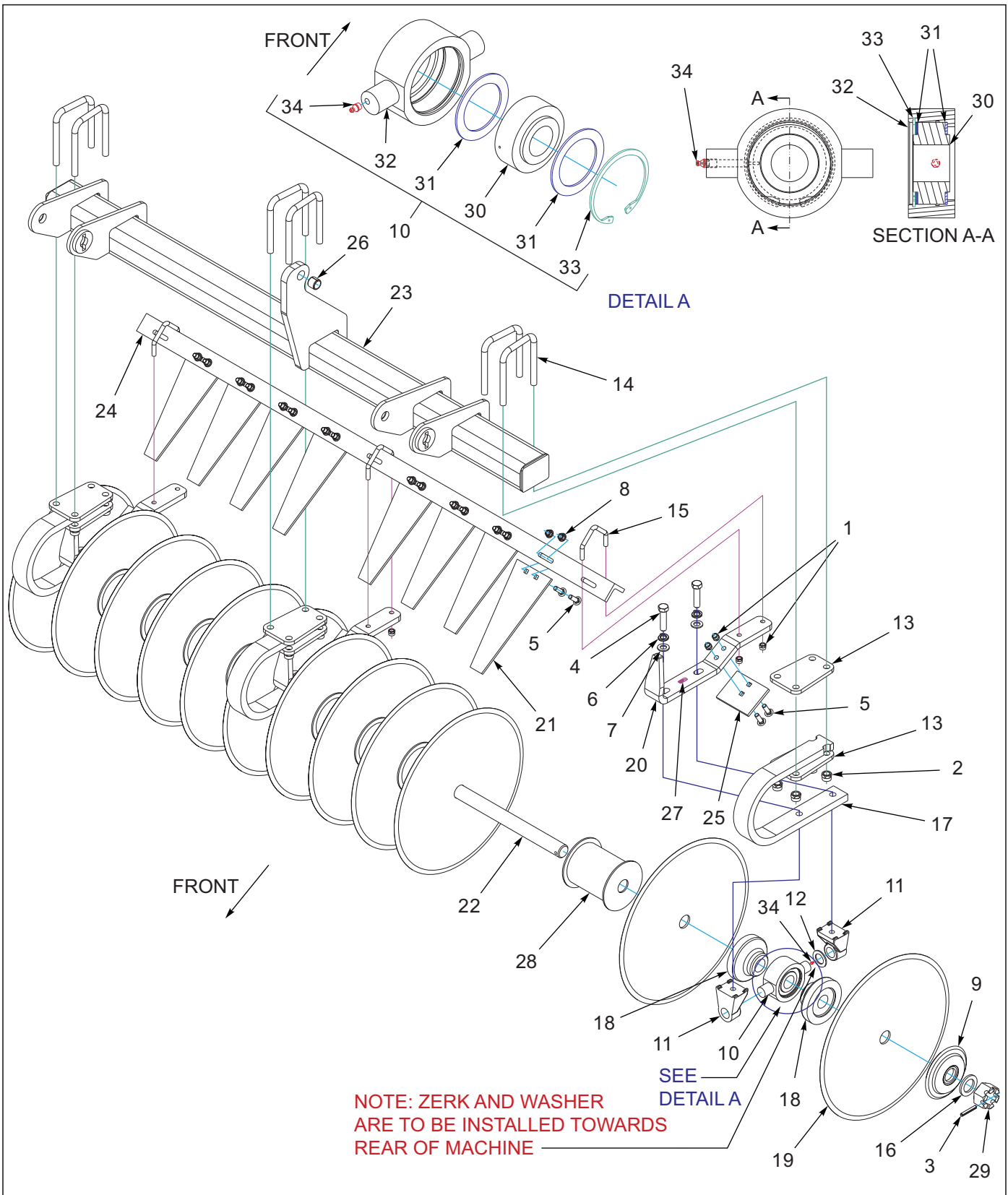


Figure 1-15: Coulter Gang Assembly

Coulter Gang Assembly

ITEM	PART NO.	DESCRIPTION	QTY.			
--	222527	GANG ASSY, 2112-09	*			
--	222528	GANG ASSY, 2112-11		*		
--	225189	GANG ASSY, 2112-13			*	
--	222530	GANG ASSY, 2112-15				*
1	1-512-010005-09	NUT,HEX,SLFLKG, 1/2-13 GRB	24	24	32	32
2	1-512-010005-15	NUT,HEX,SLFLKG GRB 3/4-10	24	24	32	32
3	1-647-010004257	PIN,SPRING,SLOTTED 3/8X2-1/2	4	4	8	8
4	1-654-010032-09	SCREW HEX CAP 3/4-10X3 GR8	12	12	16	16
5	1-654-010070-04	SCREW RDHD SQNK 1/2-13X1-3/4	36	44	52	60
6	1-861-010034-17	WASHER,LKG,HLCL SPR,3/4	12	12	16	16
7	1-861-010032-20	WASHER, FLAT,3/4 N ZP/CD	12	12	16	16
8	124971	NUT HX FLG 1/2-13 SPIRALOCK	24	32	36	44
9	140469	END COLLAR	4	4	8	8
10	140477	BEARING, DISC 1.775 ID ASSY (INCLUDES ITEMS 30-34)	6	6	8	8
11	140479	MOUNT, TRUNNION	12	12	16	16
12	140480	WASHER, TRUNNION	6	6	8	8
13	140483	PLATE, DISC SHANK MOUNT	12	12	16	16
14	140484	U-BOLT, 3/4 X 5	12	12	16	16
15	140487	UBOLT, SCRAPER BAR MOUNT	6	6	8	8
16	141154	WASHER GANG SHAFT	10	10	20	20
17	144522	SHANK 1X2-1/2 STRAIGHT	6	6	8	8
18	144533	HALF SPOOL, FLAT	12	12	16	16
19	144536	DISC BLADE 22" X 1/4", 1-3/4"	19	23	27	31
20	145179	MOUNT, SCRAPER BAR	6	6	8	8
21	145199	SCRAPER 5/16 X 6	12	16	18	22
22	145208	GANG, SHAFT 44 L	--	--	1	--
22	145209	GANG, SHAFT 51-1/2 L	--	--	3	--
22	145209	GANG, SHAFT 51-1/2 L	--	--	--	1
22	145210	GANG, SHAFT 59 L	--	--	--	3
22	145211	GANG, SHAFT 66-1/2 L	1	--	--	--
22	145212	GANG, SHAFT 74 L	1	--	--	--
22	145213	GANG, SHAFT 81-1/2 L	--	1	--	--
22	145214	GANG, SHAFT 89 L	--	1	--	--
23	145217	GANGBAR, 60" LEFT WLDMT	1	--	--	--
23	145218	GANGBAR, 67-1/2" RIGHT WLDMT	1	--	--	--
23	222519	GANGBAR, 75" LEFT WLDMT	--	1	--	--
23	222520	GANGBAR, 83" RIGHT WLDMT	--	1	--	--
23	225190	GANG BAR, 90" LEFT WLDMT	--	--	1	--
23	225191	GANG BAR, 97-1/2" RIGHT WLDMT	--	--	1	--
23	222523	GANGBAR, 105" LEFT WLDMT	--	--	--	1
23	222524	GANGBAR, 112-1/2" RIGHT WLDMT	--	--	--	1
24	145231	SCRAPER BAR, 7-1/2 SP 6 HOLE	--	--	2	--
24	145232	SCRAPER BAR, 7-1/2 SP 7 HOLE	--	--	2	2
24	145233	SCRAPER BAR, 7-1/2 SP 8 HOLE	--	--	--	2
24	145234	SCRAPER BAR, 7-1/2 SP 9 HOLE	2	--	--	--
24	145236	SCRAPER BAR, 7-1/2 SP 11 HOLE	--	2	--	--
25	152251	SCRAPER, DUAL	6	6	8	8
26	2-150-010008	BUSHING 1-1/4ODX1IDX1 STEEL	2	--	--	--

Coulter Gang Assembly

ITEM	PART NO.	DESCRIPTION	QTY.			
26	192890	BUSHING 1-3/8ODX1 IDX1 STEEL	--	2	2	2
27	2-573-010330-02	DECAL, LUBRICATION 10 HOURS	6	6	8	8
28	229846	SPOOL WLDMT, 7-1/2 SP STR	11	15	15	19
29	23085	NUT HEX SLOTTED 1 3/4-5	4	4	8	8
30	140464	BEARING, DISC 1.775 ID	1	1	1	1
31	140473	WASHER, BEARING	2	2	2	2
32	140475	CASTING, TRUNNION	1	1	1	1
33	140476	INTERNAL RETAINING RING	1	1	1	1
34	5000	ZERK FITTING 1/8NPT	1	1	1	1

ILLUSTRATED PARTS LIST

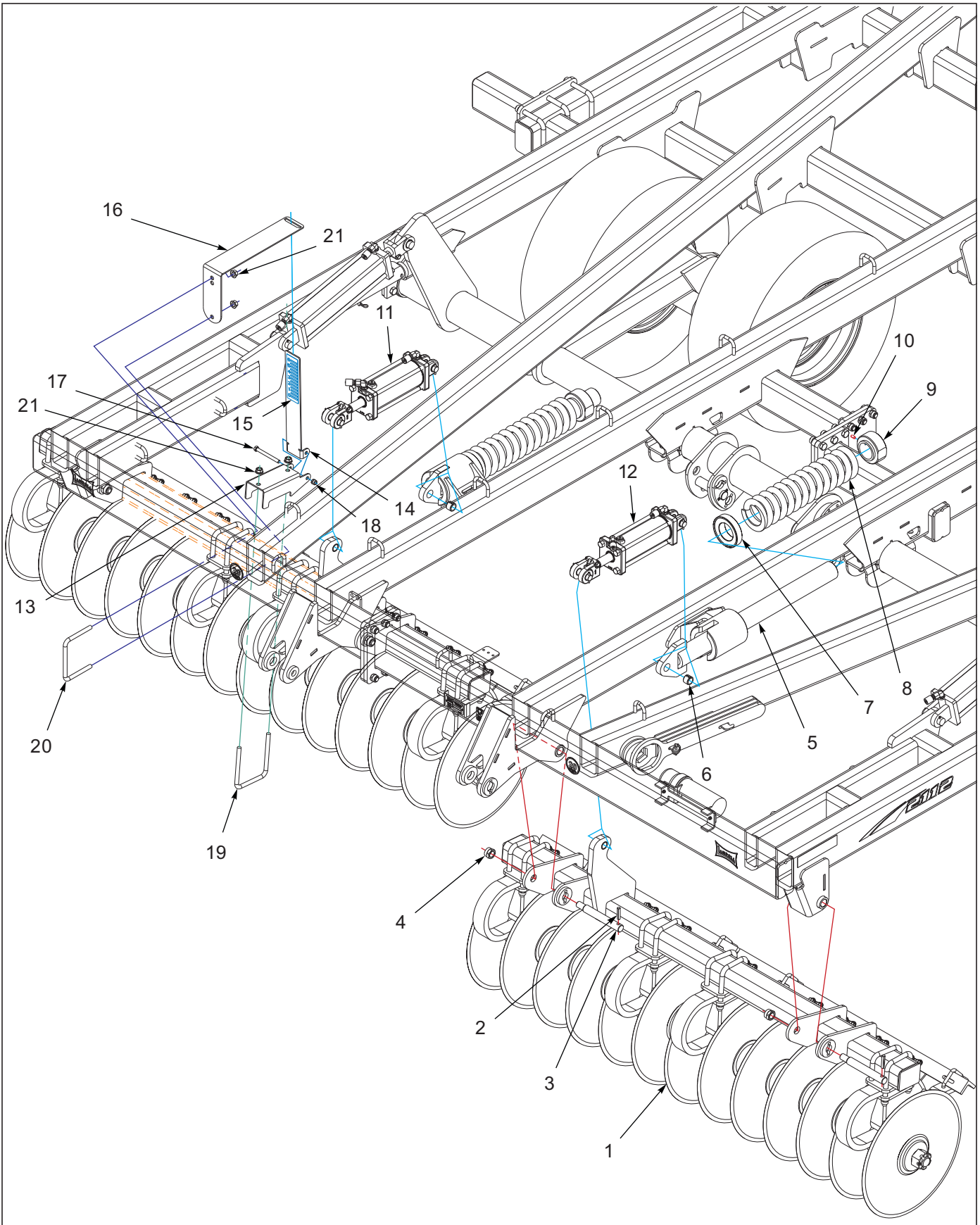


Figure 1-16: Coulters Gang To Frame Assembly

Coulter Gang To Frame Assembly

ITEM	PART NO.	DESCRIPTION	QTY.
1	--	COULTER GANG ASSEMBLY (SEE PAGE 1-33)	
2	144115	PIN, GROOVED ALLOY 1/2X2-1/4	8
3	144457	PIN, SHANK	6
4	1-512-010005-19	NUT 1-8 HEX SLF-LOCKING GRB	6
5	225180	SPRING ROD, COULTER WLDMT	4
6	192890	BUSHING 1-3/8ODX1 IDX1 STEEL	4
7	144449	WASHER, SPRING ROD	4
8	156383	SPRING, COMPRESSION	4
9	145196	THREADED CAP, COULTER SPRING	4
10	122709	SCREW,SET,HXSKTCPPT 3/8-16X1/2	4
11	145201	CYLINDER 4 X 8 REPHASE (SEE PAGE 1-40)	1
11	145201M	CYLINDER, 4 X 8, REPHASE (SEE PAGE 1-41)	1
12	145202	CYLINDER 3-3/4 X 8 REPHASE (SEE PAGE 1-42)	1
13	145202M	CYLINDER, 3-3/4 X 8, REPHASE (SEE PAGE 1-43)	1
13	157011	MOUNT, DEPTH GAUGE	1
14	150266	GAUGE, DEPTH INDICATOR	1
15	2-573-010336	DECAL, DEPTH GAUGE	1
16	157012	GUIDE, DEPTH GAUGE	1
17	1-654-010055-15	SCR, HX CP, 1/2-13UNCX5 GR5	1
18	1-512-010005-09	NUT,HEX,SLFLKG, 1/2-13 GRB	1
19	141269	U-BOLT, WING STABILIZER	1
20	158279	U-BOLT, 5/8X7-11/16X5-1/2	1
21	100827	NUT,FLG HD,SERRATED,5/8-11	4

ILLUSTRATED PARTS LIST

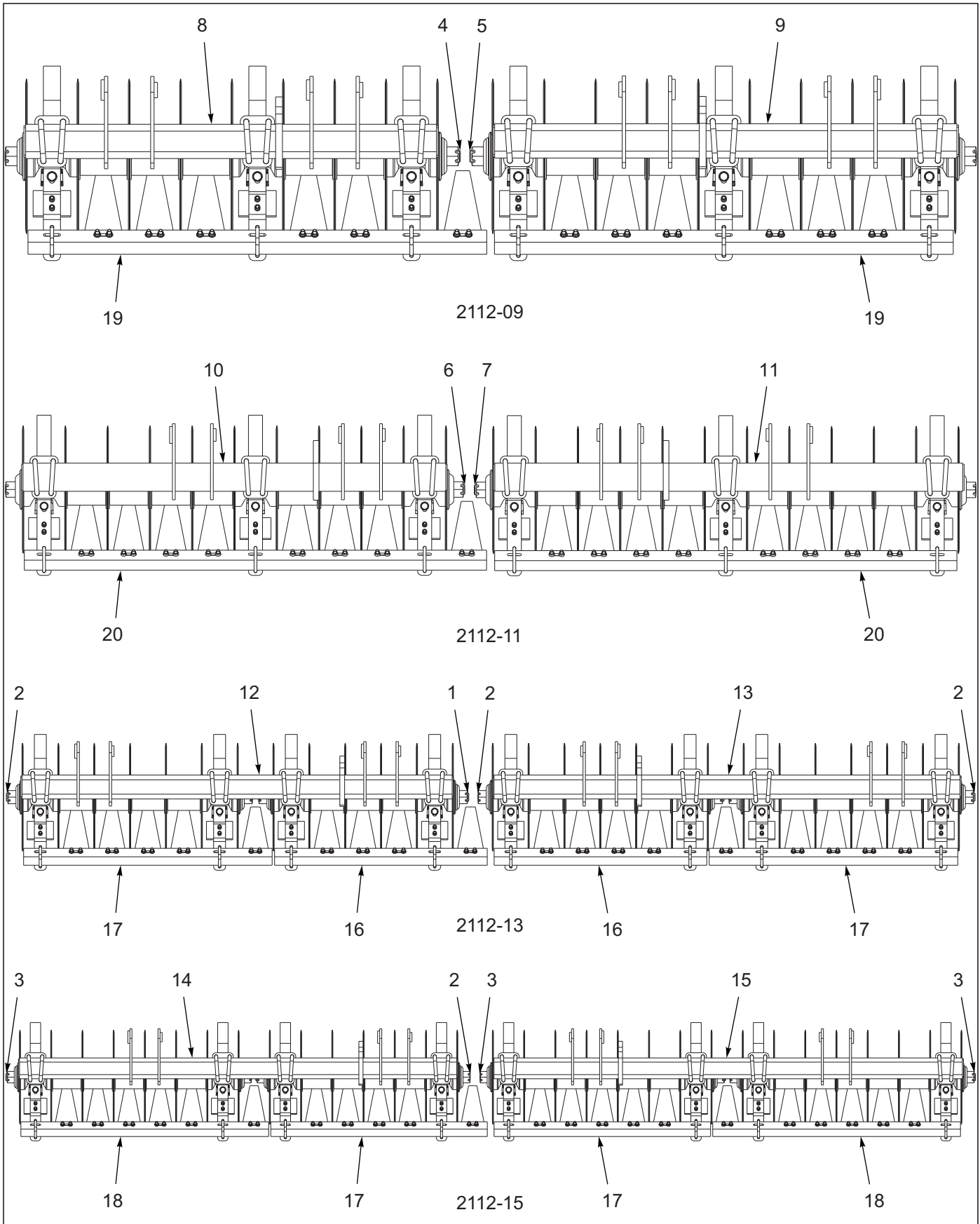


Figure 1-17: Coulters Gang Placement

Coulter Gang Placement

ITEM	PART NO.	DESCRIPTION	QTY.			
--	222527	GANG ASSY, 2112-09	*			
--	222528	GANG ASSY, 2112-11		*		
--	225189	GANG ASSY, 2112-13			*	
--	222530	GANG ASSY, 2112-15				*
1	145208	GANG, SHAFT 44 L	--	--	1	--
2	145209	GANG, SHAFT 51-1/2 L	--	--	3	1
3	145210	GANG, SHAFT 59 L	--	--	--	3
4	145211	GANG, SHAFT 66-1/2 L	1	--	--	--
5	145212	GANG, SHAFT 74 L	1	--	--	--
6	145213	GANG, SHAFT 81-1/2 L	--	1	--	--
7	145214	GANG, SHAFT 89 L	--	1	--	--
8	145217	GANGBAR, 60" LEFT WLDMT	1	--	--	--
9	145218	GANGBAR, 67-1/2" RIGHT WLDMT	1	--	--	--
10	222519	GANGBAR, 75" LEFT WLDMT	--	1	--	--
11	222520	GANGBAR, 83" RIGHT WLDMT	--	1	--	--
12	225190	GANG BAR, 90" LEFT WLDMT	--	--	1	--
13	225191	GANG BAR, 97-1/2" RIGHT WLDMT	--	--	1	--
14	222523	GANGBAR, 105" LEFT WLDMT	--	--	--	1
15	222524	GANGBAR, 112-1/2" RIGHT WLDMT	--	--	--	1
16	145231	SCRAPER BAR, 7-1/2 SP 6 HOLE	--	--	2	--
17	145232	SCRAPER BAR, 7-1/2 SP 7 HOLE	--	--	2	2
18	145233	SCRAPER BAR, 7-1/2 SP 8 HOLE	--	--	--	2
19	145234	SCRAPER BAR, 7-1/2 SP 9 HOLE	2	--	--	--
20	145236	SCRAPER BAR, 7-1/2 SP 11 HOLE	--	2	--	--

Lift Hydraulic Assemblies

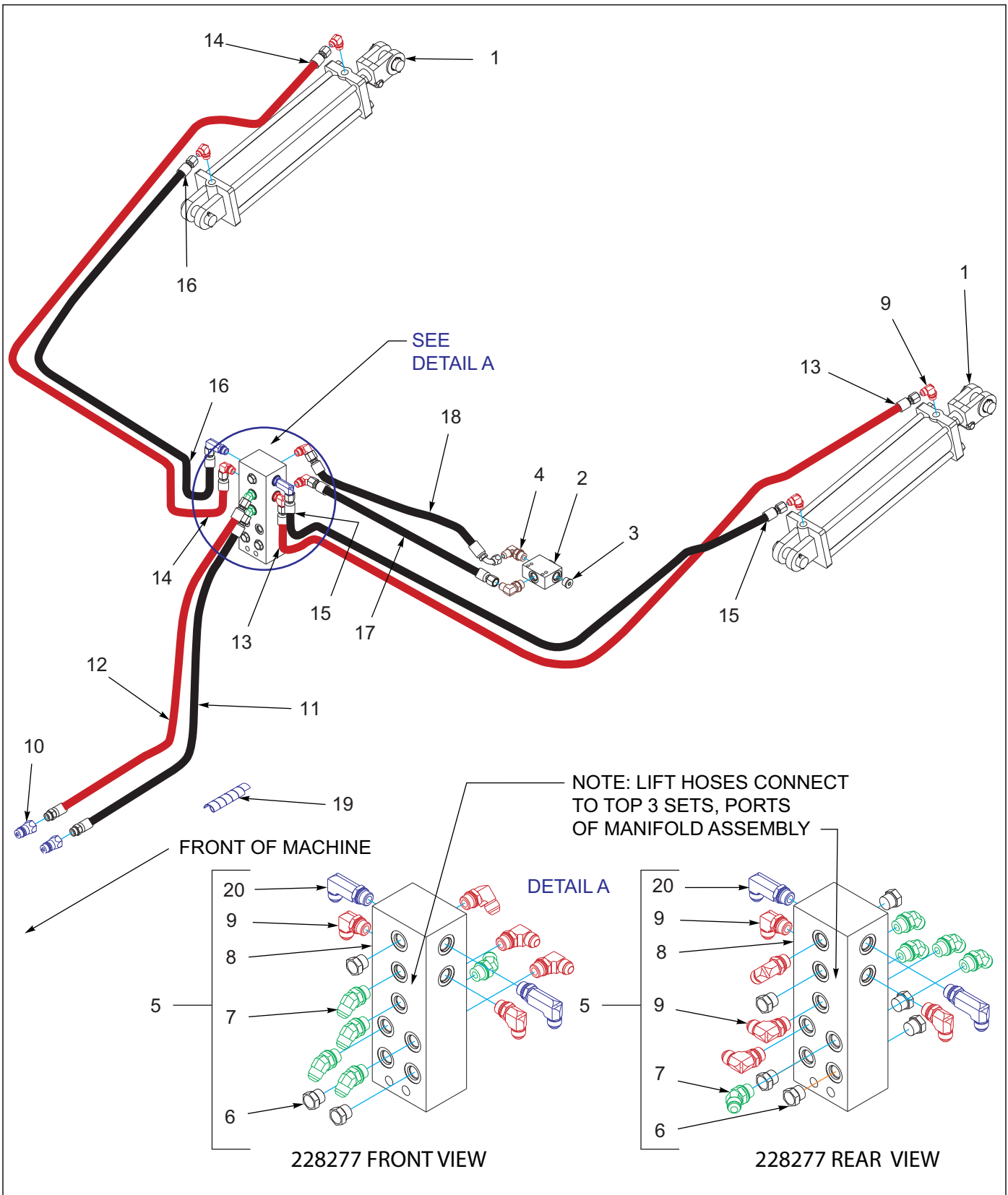


Figure 1-18: Lift Hydraulic Assembly

Lift Hydraulic Assembly

ITEM	PART NO.	DESCRIPTION	QTY.
1	144322	CYLINDER, 4 X 16 (SEE PAGE 1-38)	2
2	203467	VALVE-LIMIT, STROKE	1
3	143853	PLUG #10 M ORB HEX SOCKET	1
4	2062-10-8S	ADAPTER,90, #10 O-RING-TUBE	2
5	228277	MANIFOLD, FRONT 2112 ASSY	1
6	1-007-010025	PLUG, 3/4-16 O-RING BOSS	3
7	2061-8-8S	ADAPTER, 45, #8 O-RING-TUBE	5
8	228253	MANIFOLD ASSY	1
9	2062-8-8S	ADAPTER, 90, #8 O-RING-TUBE	9
10	141828	COUPLER,MALE 3/4-16 O-RING	2
11	228270	HOSE ASSY, 1/2X197-8FJIC-8ORB	1
12	228271	HOSE ASSY, 1/2X200-8FJIC-8ORB	1
13	116492	HOSE ASSY 3/8X128 #8 JIC SW (MODELS 2112-9-11)	1
13	194115	HOSE ASM,3/8 X 154,#8FJS (MODELS 2112-13-15)	1
14	116491	HOSE ASSY 3/8X96 #8 JIC SW (MODELS 2112-9-11)	1
14	116492	HOSE ASSY 3/8X128 #8 JIC SW (MODELS 2112-13-15)	1
15	211328	HOSE ASSY,3/8X108,8FJS ENDS (MODELS 2112-9-11)	1
15	141881	HOSE ASSY 3/8X136 #8 JIC SWIV (MODELS 2112-13-15)	1
16	209436	HOSE ASSY, 3/8X76,-8FJX,-8FJX (MODELS 2112-9-11)	1
16	117916	HOSE ASSY 3/8X110,#8 JIC SWVL (MODELS 2112-13-15)	1
17	1-397-010301030	HOSE ASSY 1/2X30 SAE37,STR	1
18	125872	HOSE ASSY 1/2X31 SAE37 STR-90	1
19	155528	HOSE WRAP, BLUE 1" ID X 8"	1
20	206209-8-8S	ADAPTER,90LONG,#8 O-RING-TUBE	2

Hydraulic Coultter Gang Assemblies

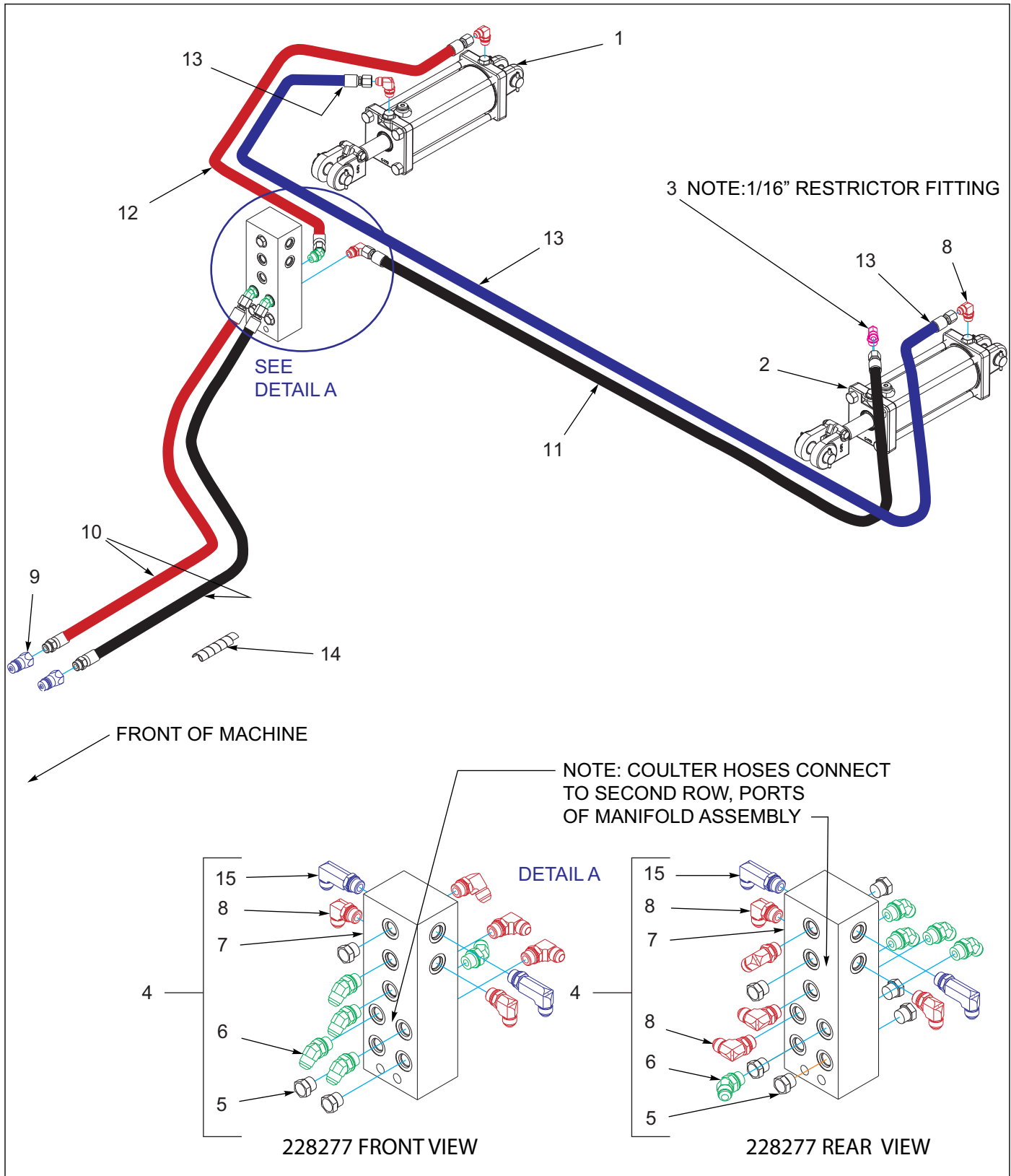


Figure 1-19: Coultter Gang Assembly

Hydraulic Coupler Gang Assembly

ITEM	PART NO.	DESCRIPTION	QTY.
1	145201	CYLINDER 4 X 8 REPHASE (PRINCE CYLINDER, SEE PAGE 1-40)	1
1	145201M	CYLINDER, 4 X 8, REPHASE (MIDWAY CYLINDER, SEE PAGE 1-41)	1
2	145202	CYLINDER 3-3/4 X 8 REPHASE (PRINCE CYLINDER, SEE PAGE 1-40)	1
2	145202M	CYLINDER, 3-3/4 X 8, REPHASE (MIDWAY CYLINDER, SEE PAGE 1-41)	1
3	141826	ELBOW 90 1/16 RES	2
4	228277	MANIFOLD, FRONT 2112 ASSY	1
5	1-007-010025	PLUG, 3/4-16 O-RING BOSS	3
6	2061-8-8S	ADAPTER, 45, #8 O-RING-TUBE	5
7	228253	MANIFOLD ASSY	1
8	2062-8-8S	ADAPTER, 90, #8 O-RING-TUBE	7
9	141828	COUPLER,MALE 3/4-16 O-RING	2
10	141861	HOSE ASSY 3/8X196 #8JICX8OR	2
11	116490	HOSE ASSY 3/8X78 #8 JIC SW (MODELS 2112-9-11)	1
11	181799	HOSE ASSY, 3/8X74, #8 JIC (MODELS 2112-13-15)	1
12	1-397-010369036	HOSE ASSY 3/8X36,#8 JIC SWVL (MODELS 2112-9-11)	1
12	1-397-010369054	HOSE ASSY 3/8X54 #8 JIC SWVL (MODELS 2112-13-15)	1
13	1422176	HOSE ASSY 3/8X116 #8 JIC SWIV (MODELS 2112-9-11)	1
13	116492	HOSE ASSY 3/8X128 #8 JIC SW (MODELS 2112-13-15)	1
14	155530	HOSE WRAP, BLACK 1" ID X 8"	1
15	206209-8-8S	ADAPTER,90LONG,#8 O-RING-TUBE	2

Cylinder Assemblies

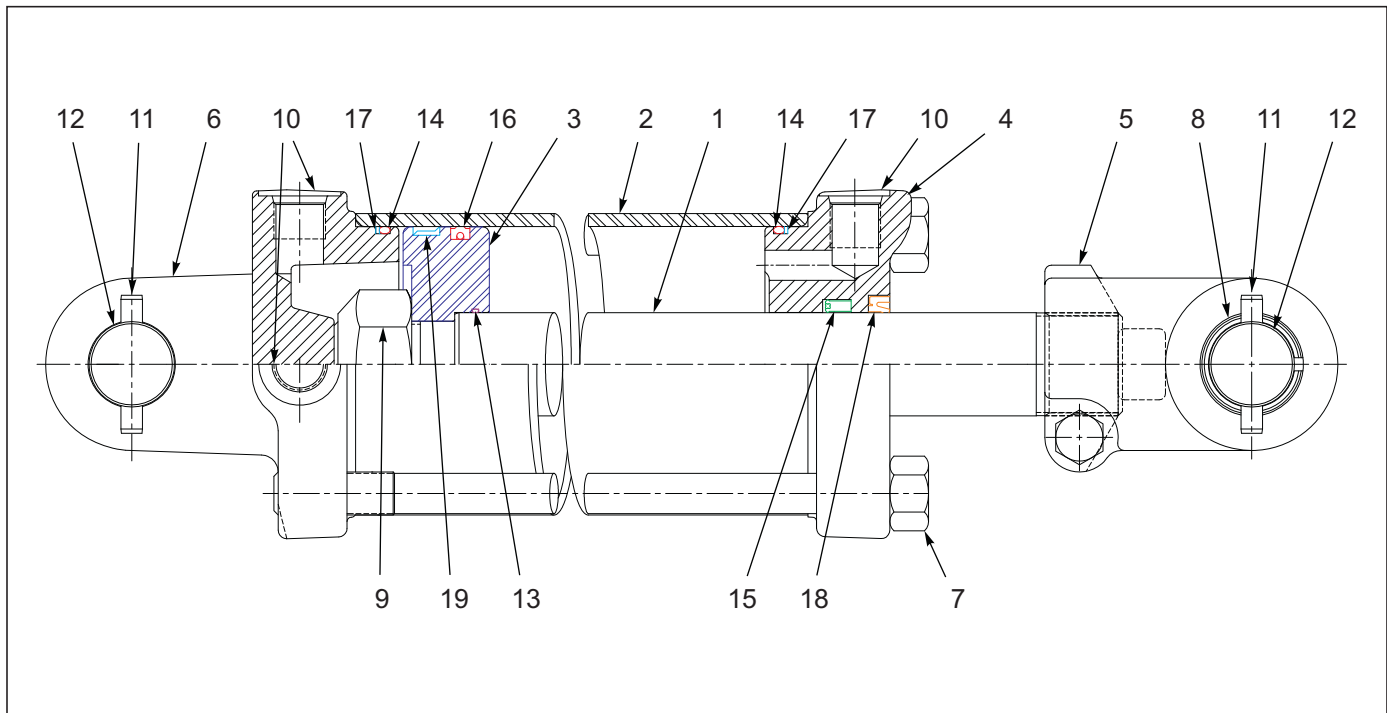


Figure 1-20: Cylinder Assembly - 4 X 16

Cylinder Assembly - 4 X 16

ITEM	PART NO.	DESCRIPTION	QTY.
--	144322	CYLINDER HYDRAULIC 4" X 16"	
1	----	PISTON ROD	1
2	----	TUBE	1
3	----	PISTON	1
4	142120	GLAND	1
5	137304	CLEVIS ASSEMBLY	1
6	142119	BUTT CLEVIS	1
7	----	TIEROD ASSEMBLY	4
8	135912	BUSHING	2
9	----	LOCKNUT	1
10	----	PORT PLUG	3
11	111789	ROLL PIN	4
12	218640	CLEVIS PIN	2
13	----	O-RING	1
14	----	O-RING	2
15	----	U-CUP	1
16	----	CROWN SEAL	1
17	----	BU-WASHER	2
18	----	CANNED WIPER	1
19	----	BEARING RING	1
20	154104	PACKING KIT (NOT SHOWN) (INCLUDES ITEMS 13-19)	

ILLUSTRATED PARTS LIST

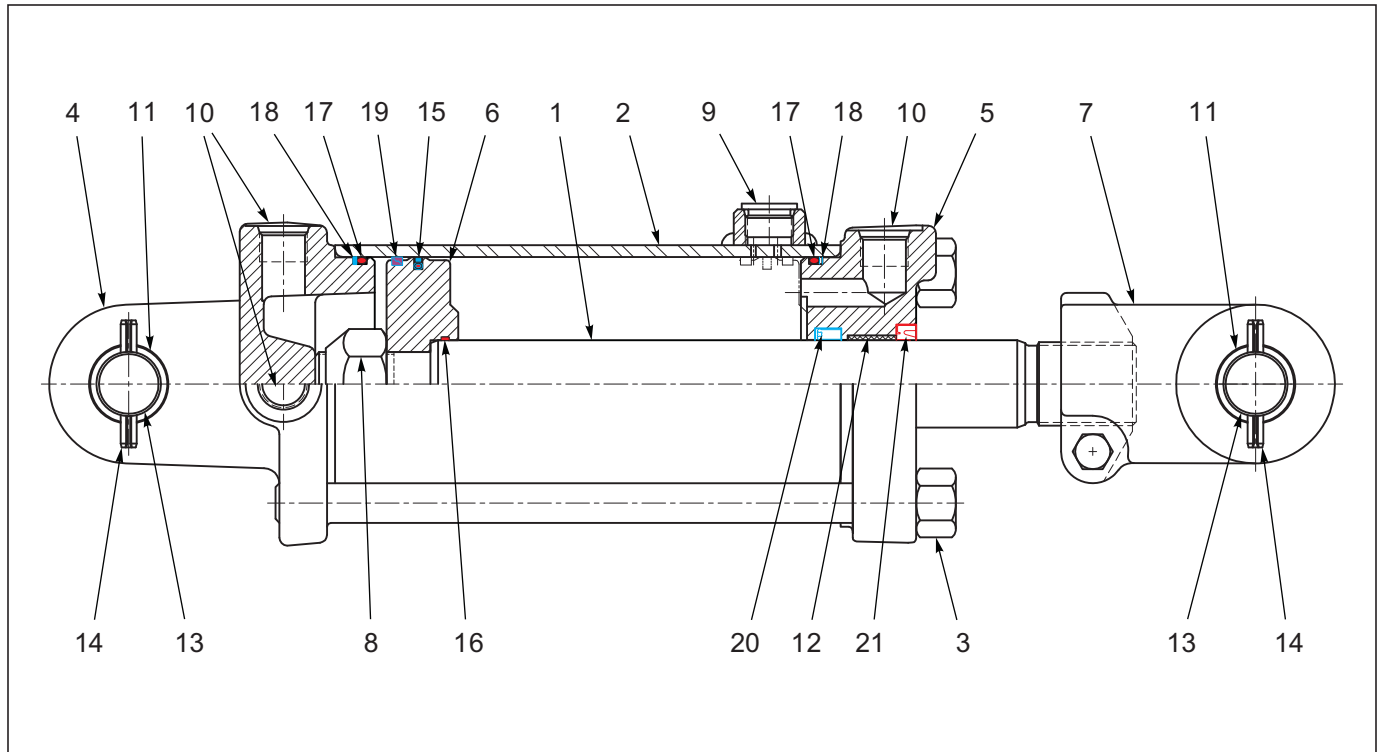


Figure 1-21: Cylinder - Rephase Assembly 4 X 8

Cylinder - Rephase Assembly 4 X 8 (Prince)

ITEM	PART NO.	DESCRIPTION	QTY.
--	145201	CYLINDER 4 X 8 REPHASE	
1	----	ROD, PISTON	1
2	----	TUBE ASSY	1
3	----	TIEROD ASSY	4
4	142114	BUTT CLEVIS ASSY	1
5	142109	GLAND ASSEMBLY	1
6	----	PISTON	1
7	142110	CLEVIS ASSY	1
8	----	LOCKNUT	1
9	----	SHIPPING PLUG	1
10	----	SHIPPING PLUG	3
11	142112	BUSHING	4
12	141301	BUSHING	1
13	143994	CLEVIS PIN	2
14	111789	ROLL PIN	4
15	----	TEFLON SEAL	1
16	----	O- RING	1
17	----	O- RING	2
18	----	BU- WASHER	2
19	----	BEARING RING	1
20	----	U- CUP	1
21	----	CANNED WIPER	1
22	147745	PACKING KIT (NOT SHOWN) (INCLUDES ITEMS 15-21)	

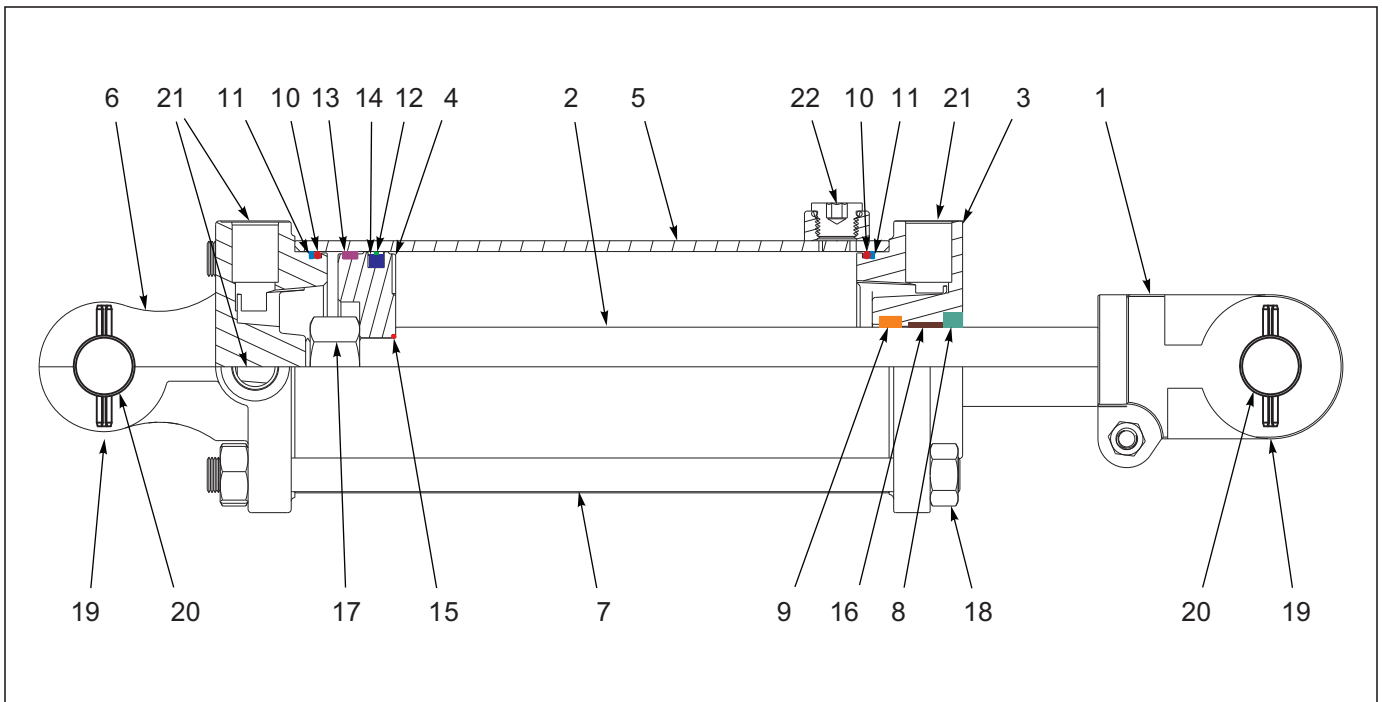


Figure 1-22: Cylinder - Rephase Assembly 4 X 8

Cylinder - Rephase Assembly 4 X 8 (Midway)

ITEM	PART NO.	DESCRIPTION	QTY.
--	145201M	CYLINDER, 4 X 8, REPHASE	
1	231792	ROD CLEVIS-ADI, 1" PIN, MIDWAY	1
2	----	ROD	1
3	229560	GLAND, 4" BORE, MIDWAY	1
4	----	PISTON	1
5	----	TUBE	1
6	231804	BUTT CLEVIS-ADI,4" BORE,MIDWAY	1
7	----	TIEROD	4
8	----	WIPER	1
9	----	U- CUP	1
10	----	OD O- RING	2
11	----	OD BACKUP	2
12	----	GREEN	1
13	----	WEAR RING	1
14	----	LOADER	1
15	----	O- RING	1
16	----	BUSHING	1
17	----	PISTON NUT	1
18	----	TIEROD NUT	8
19	1-647-010004221	PIN,SPRING 1/4X2 SLOTTED	2
20	229565	CLEVIS PIN, Ø1" HARDEN, MIDWAY	2
21	----	HEX PLUG	3
22	----	REPHASING PORT PLUG	1
23	229561	PACKING KIT, 4" BORE, MIDWAY (NOT SHOWN) (INCLUDES ITEMS 8-15)	

ILLUSTRATED PARTS LIST

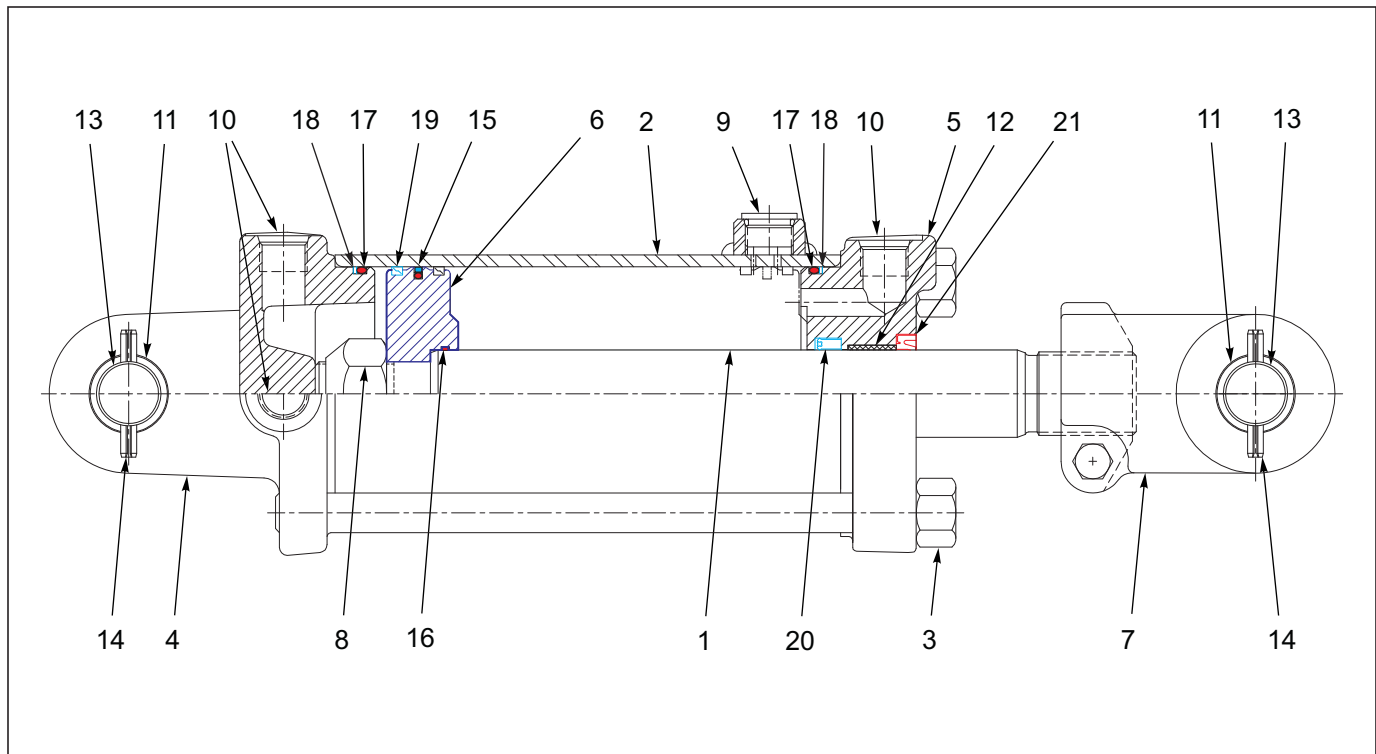


Figure 1-23: Cylinder - Rephase Assembly 3-3/4 X 8

Cylinder - Rephase Assembly 3-3/4 X 8 (Prince)

ITEM	PART NO.	DESCRIPTION	QTY.
--	145202	CYLINDER 3-1/2 X 8 REPHASE	
1	----	ROD, PISTON	1
2	----	TUBE ASSY	1
3	----	TIEROD ASSY	4
4	142116	BUTT CLEVIS ASSY	1
5	111871	GLAND ASSEMBLY	1
6	----	PISTON	1
7	142110	CLEVIS ASSY	1
8	----	LOCKNUT	1
9	----	SHIPPING PLUG	1
10	----	SHIPPING PLUG	3
11	142112	BUSHING	4
12	141301	BUSHING	1
13	143994	CLEVIS PIN	2
14	111789	ROLL PIN	4
15	----	TEFLON SEAL	1
16	----	O- RING	1
17	----	O- RING	2
18	----	BU- WASHER	2
19	----	BEARING RING	1
20	----	U- CUP	1
21	----	CANNED WIPER	1
22	147748	PACKING KIT (NOT SHOWN) (INCLUDES ITEMS 15-21)	

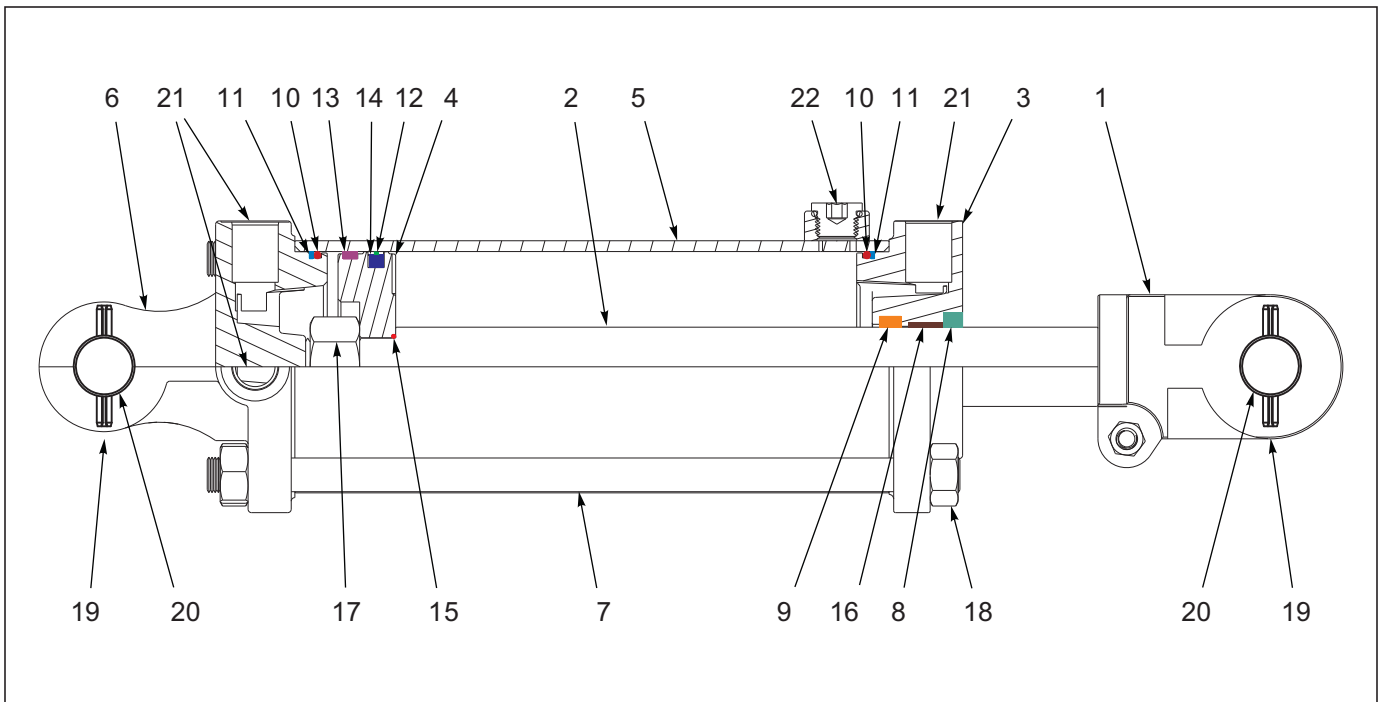


Figure 1-24: Cylinder - Rephase Assembly 3-3/4 X 8

Cylinder - Rephase Assembly 3-3/4 X 8 (Midway)

ITEM	PART NO.	DESCRIPTION	QTY.
--	145202M	CYLINDER, 3-3/4 X 8, REPHASE	
1	231792	ROD CLEVIS-ADI, 1" PIN, MIDWAY	1
2	----	ROD	1
3	231802	GLAND, 3-3/4" BORE, MIDWAY	1
4	----	PISTON	1
5	----	TUBE	1
6	234415	BUTT CLEVIS-ADI,4" BORE,MIDWAY	1
7	----	TIEROD	4
8	----	WIPER	1
9	----	U- CUP	1
10	----	OD O- RING	2
11	----	OD BACKUP	2
12	----	GREEN	1
13	----	WEAR RING	1
14	----	LOADER	1
15	----	O- RING	1
16	----	BUSHING	1
17	----	PISTON NUT	1
18	----	TIEROD NUT	8
19	1-647-010004221	PIN,SPRING 1/4X2 SLOTTED	2
20	229565	CLEVIS PIN, Ø1" HARDEN, MIDWAY	2
21	----	HEX PLUG	3
22	----	REPHASING PORT PLUG	1
23	231803	PACKING KIT,3-3/4" BORE,MIDWAY (NOT SHOWN) (INCLUDES ITEMS 8-14)	

ILLUSTRATED PARTS LIST

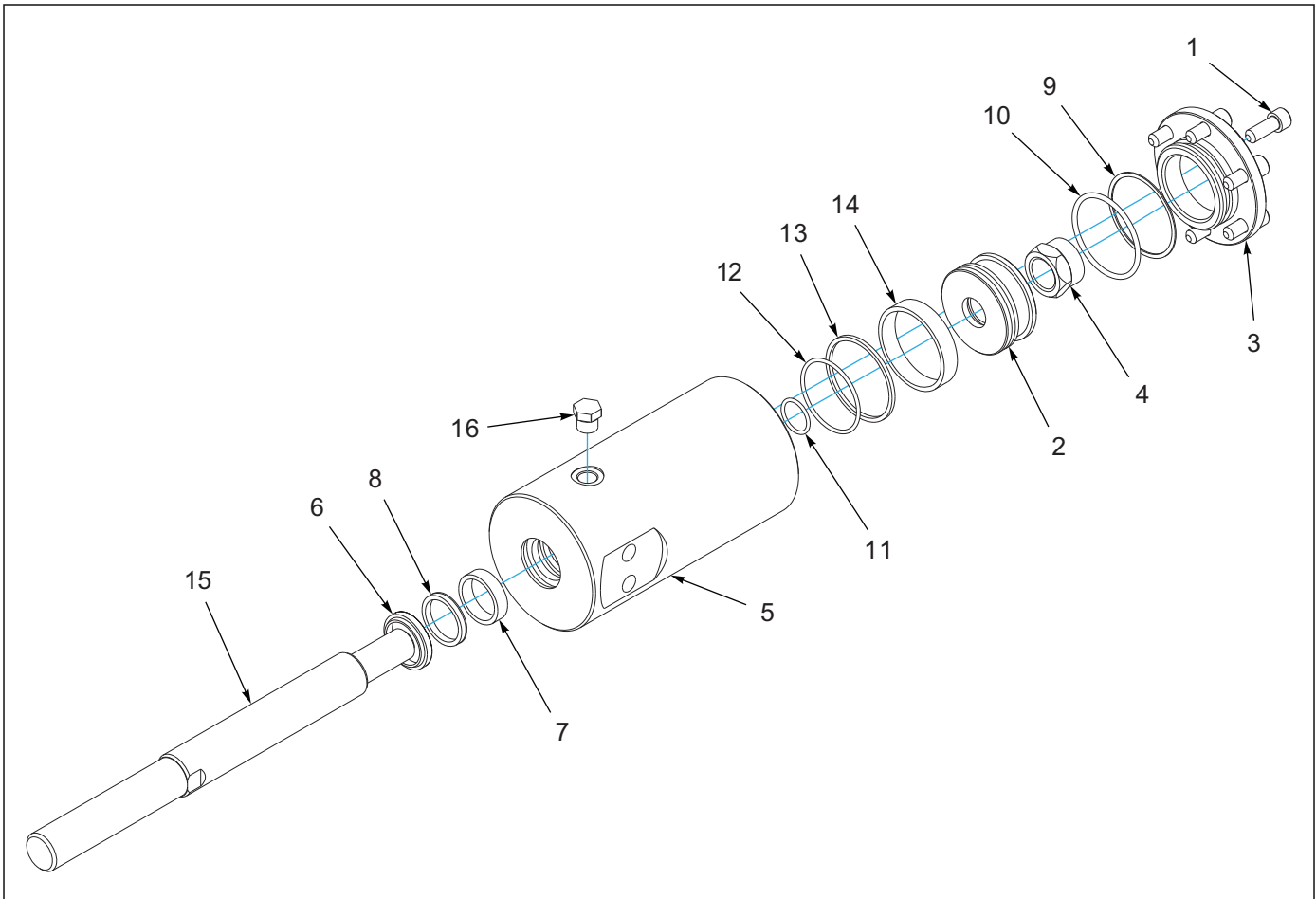


Figure 1-25: Cylinder - 2-1/2" X 3-1/2"

Cylinder - 2-1/2" X 3-1/2"

ITEM	PART NO.	DESCRIPTION	QTY.
--	206672	CYL ASM 2-1/2X3-1/2ST1-1/8THDS	
1	----	SCREW, HEX SOCKET 3/8-16 X 1	6
2	171079	PISTON, 2-1/2 BORE	1
3	171080	2-1/2" BASE CAP	1
4	----	NUT, HEX SLFLKG 7/8-14 GRC	1
5	185767	CYLINDER, BARREL 3-1/2" STROKE	1
6	----	WIPER, 1-1/4 ROD	1
7	----	WEAR RING, 1-1/4 ROD	1
8	----	U-CUP, 1-1/4 ROD	1
9	----	BACK-UP RING, CAP	1
10	----	O-RING, CAP	1
11	----	O-RING, PISTON	1
12	----	O-RING, PISTON	1
13	----	SEAL, 2-1/2 PISTON	1
14	----	WEAR RING, 2-1/2 PISTON	1
15	206674	ROD 1-1/4 DIA 3-1/2 STROKE	1
16	----	PLUG, O-RING 9/16-18	2
17	171081	SEAL KIT, 2-1/2" BORE CYL (NOT SHOWN) (INCL. ITEMS 7 - 14)	

Electrical

7-PIN CONN.	4-PIN TOWER	CIRCUIT	WIRE COLOR
1	D	GROUND	WHITE ●
2	-	WORK LAMPS	BLACK ●
3	B	LEFT FLASHING & TURN	YELLOW ●
4	-	STOP LAMPS	RED ●
5	A	RIGHT FLASHING & TURN	GREEN ●
6	C	TAIL LAMPS	BROWN ●
7	-	SWITCHED POWER (12 V)	BLUE ●

MAIN WARNING LIGHT HARNESS - WIRING CHART

	1	2	3	4	5
	2-PIN TOWER	3-PIN TOWER	6-PIN SHROUD	3-PIN TOWER	2-PIN TOWER
● BLACK LEFT TURN			A	C	
● WHITE GROUND	A	A	B	A	A
● BROWN TAIL LIGHT		B	C	B	
● YELLOW LEFT TURN			D		B
● GREEN RIGHT TURN	B		E		
● RED RIGHT TURN		C	F		

REAR WARNING LIGHT HARNESS - WIRING CHART

Figure 1-26: Electrical Assembly W/ LED Lights (1 of 2)

ILLUSTRATED PARTS LIST

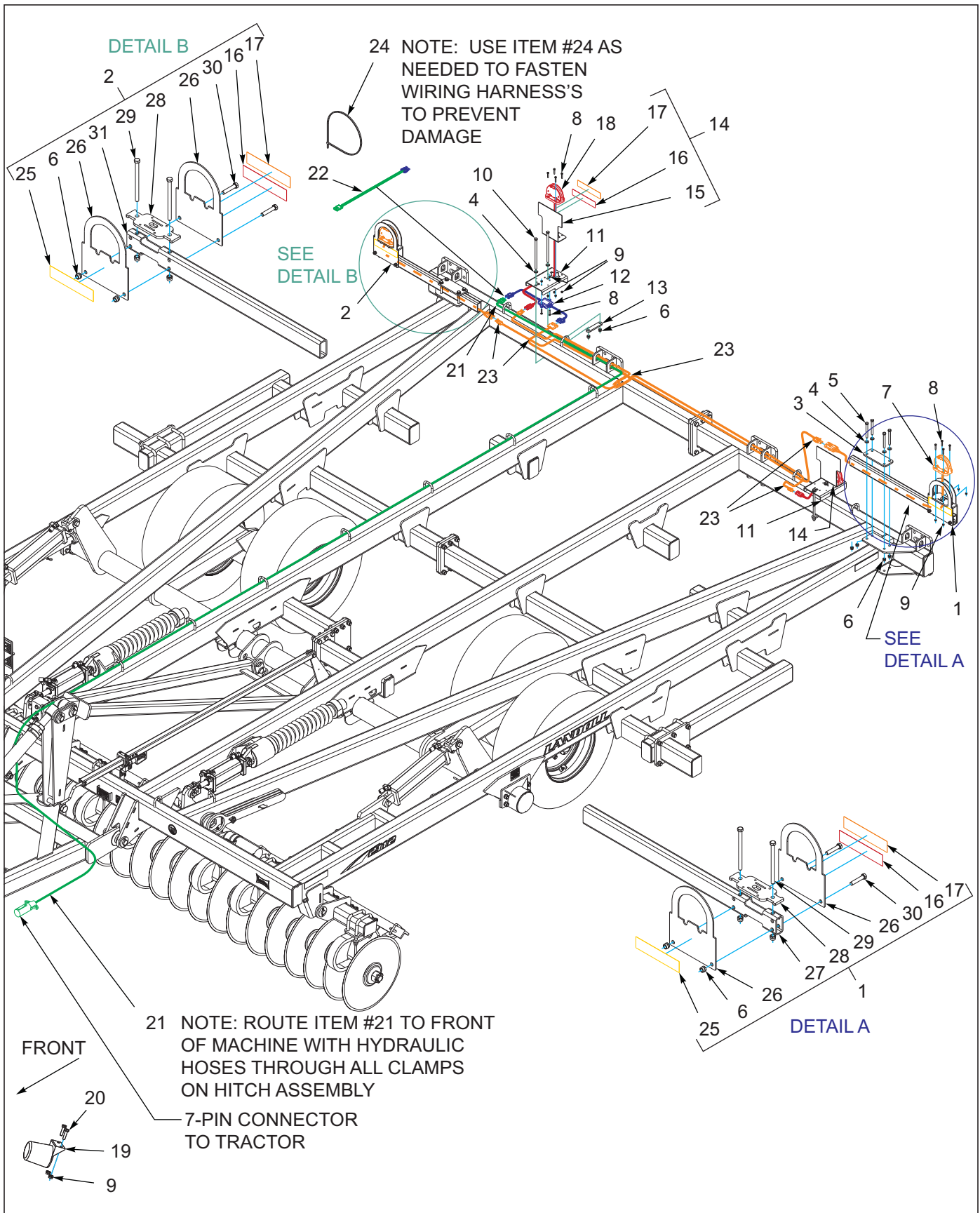


Figure 1-27: Electrical Assembly W/ LED Lights (2 of 2)

Electrical Assembly W/ LED Lights

ITEM	PART NO.	DESCRIPTION	QTY.
1	231311	MOUNT, LT LIGHT BKT ASSY (MODEL 2112-09) (INCLUDES ITEMS 6,16, 17, 25, 26, 27, 28, 29, 30)	1
1	227308	MOUNT, LT LIGHT BKT ASSY (MODEL 2112-11-13-15) (INCLUDES ITEMS 6,16, 17, 25, 26, 27, 28, 29, 30)	1
2	231310	MOUNT, RT LIGHT BKT ASSY (MODEL 2112-09) (INCLUDES ITEMS 6,16, 17, 25, 26, 28, 29, 30, 31)	1
2	227307	MOUNT, RT LIGHT BKT ASSY (MODEL 2112-11-13-15) (INCLUDES ITEMS 6,16, 17, 25, 26, 28, 29, 30, 31)	1
3	227306	PLATE, LIGHT MOUNT	2
4	1-861-010032-14	WASHER, FLAT 1/2" N ZP/CD	10
5	1-654-010055-14	SCREW,HX CP,1/2-13UNCX4-1/2G5	8
6	1-512-010005-09	NUT,HEX,SLFLKG, 1/2-13 GRB	20
7	174436	LAMP, AG AMBER SINGLE LED	2
8	1-654-010047-08	SCREW HX CP,1/4-20UNCX1-1/2G5	18
9	1-512-010005-01	NUT,HEX,SLFLKG GRB 1/4-20	20
10	172900	SCREW HX CP 1/2-13X10 GR5	4
11	164138	MOUNT, LIGHT TAIL	2
12	174437	MODULE, AG FLASHER CONTROL	1
13	222674	BRACKET, LIGHT MOUNT	2
14	164140	REFLECTOR ASSY (INCLUDES ITEMS 17-19)	2
15	164139	MOUNT, REFLECTOR	2
16	528933	REFLECTOR - RED	4
17	528938	STRIPE, ORANGE	4
18	174435	LAMP, AG RED SINGLE LED	2
19	2-368-010287	HARNESS, STOR-A-WAY (SEE PAGE 1-13 FOR LOCATION ON FRONT OF HITCH)	1
20	1-654-010047-06	SCREW,HX CP 1/4-20UNCX1 GR5	2
21	174438	HARNESS, MAIN WARNING LIGHTS	1
22	2-368-010273	HARNESS, 34 INCH EXT	2
23	174439	HARNESS, REAR WARNING LIGHTS	1
24	105874	TIE,STRAP PLSTC 21.5-24X.301	25
25	528934	REFLECTOR - YELLOW	2
26	227303	PLATE, LIGHT BRACKET	4
27	231309	TUBE, LIGHT ARM 26" (MODEL 2112-09)	2
28	227304	PLATE, LIGHT MOUNT	2
29	1-654-010055-19	SCREW,HEX CAP,1/2-13UNCX7 GR5	4
30	1-654-010055-07	SCREW HX CP 1/2-13UNCX2-1/2	4
31	227302	TUBE, LIGHT ARM 40" (MODELS 2112-11/13/15)	2

Decals

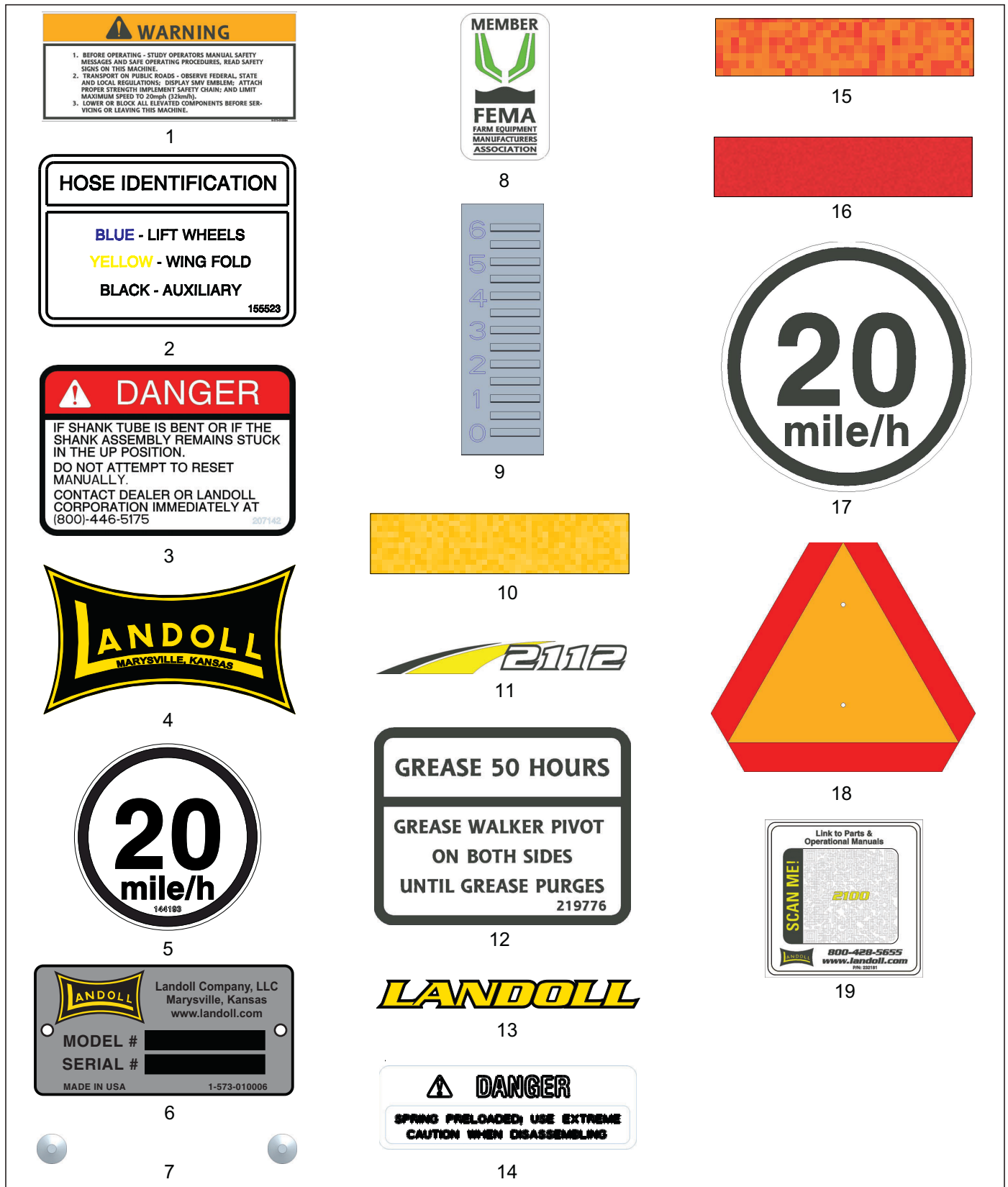


Figure 1-28: Decal Arrangement (1 of 2)

ILLUSTRATED PARTS LIST

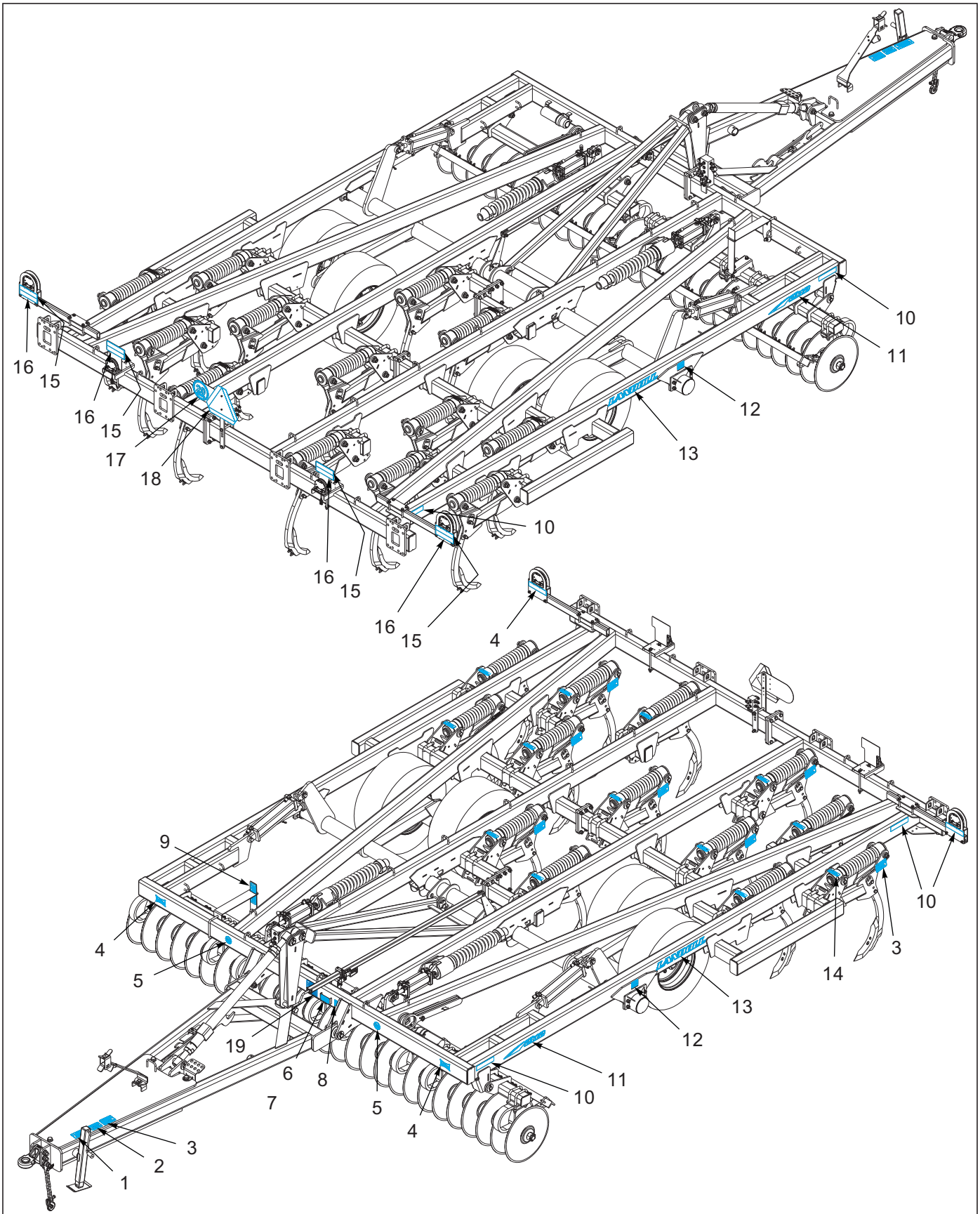


Figure 1-29: Decal Locations(2 of 2)

Decal Locations & Arrangements

ITEM	PART NO.	DESCRIPTION	QTY.
1	8-573-010084	DECAL WARNING BEFORE OPERATG	1
2	155523	DECAL, HOSE IDENTIFICATION	1
3	207142	DECAL, DANGER STUCK SHANK	
4	141259	DECAL, LANDOLL, YELLOW	2
5	144193	DECAL, SIS 20 MPH	2
6	1-573-010006	PLACARD, NAME	1
7	156010	RIVET, BLIND .156X1/2 GRIP	2
8	2-573-010198	DECAL, MEMBER FEMA	1
9	2-573-010336	DECAL, DEPTH GAUGE	1
10	528934	REFLECTOR - YELLOW	6
11	228278	DECAL, MODEL 2112	2
12	219776	DECAL, GREASE WALKER	2
13	141260	DECAL, LANDOLL	5
14	2-573-010469	DECAL, DANGER SPRING	
15	528938	STRIPE, ORANGE	4
16	528933	REFLECTOR - RED	4
17	224589	DECAL, SIS 20 MILE/H	1
18	70260977	SMV EMBLEM	1
19	232181	DECAL, QR CODE 2100 SERIES	1

Standard 3BCT/Chopper Assemblies

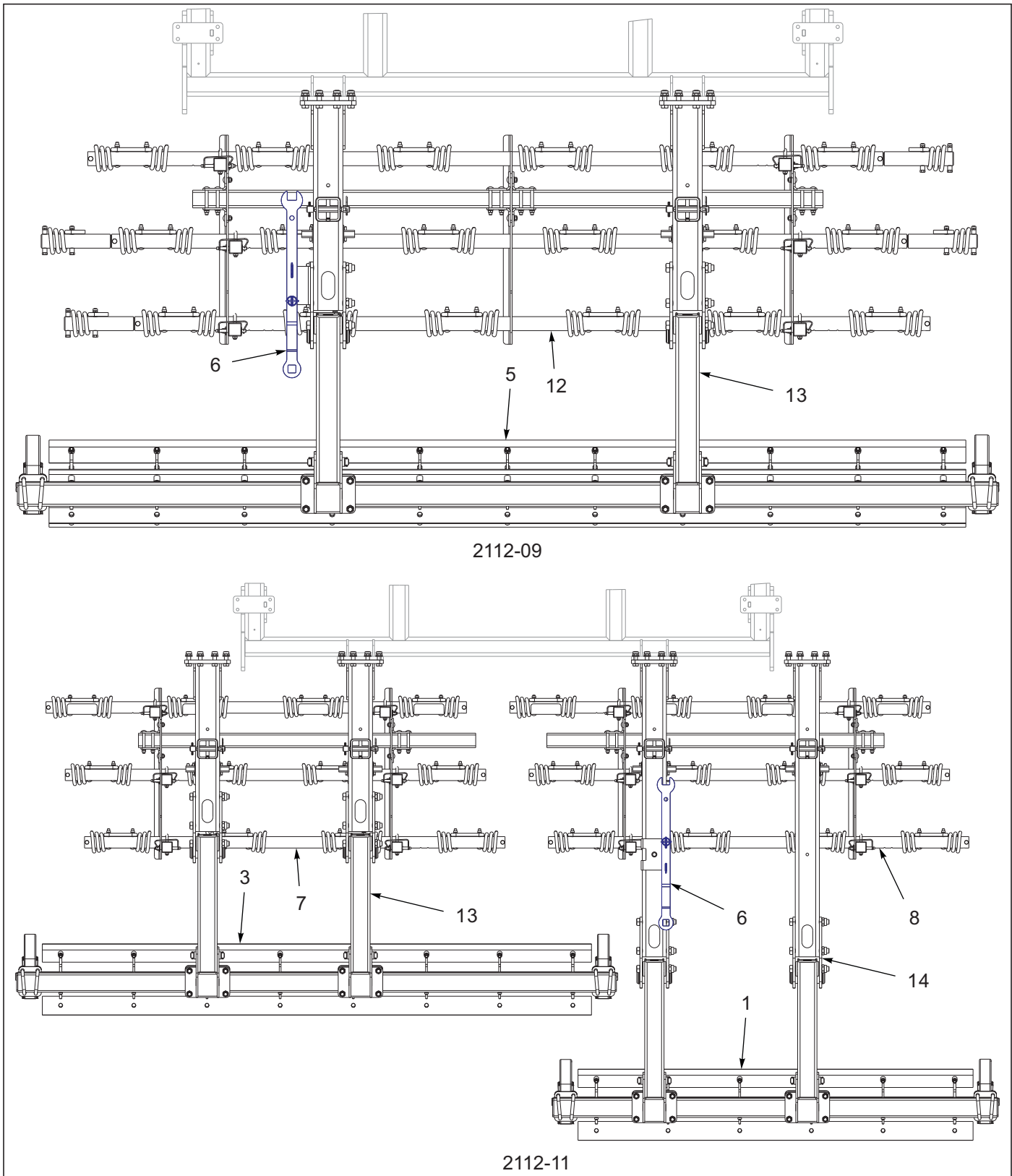


Figure 1-30: Std 3BCT/Chopper Layout (1 of 2)

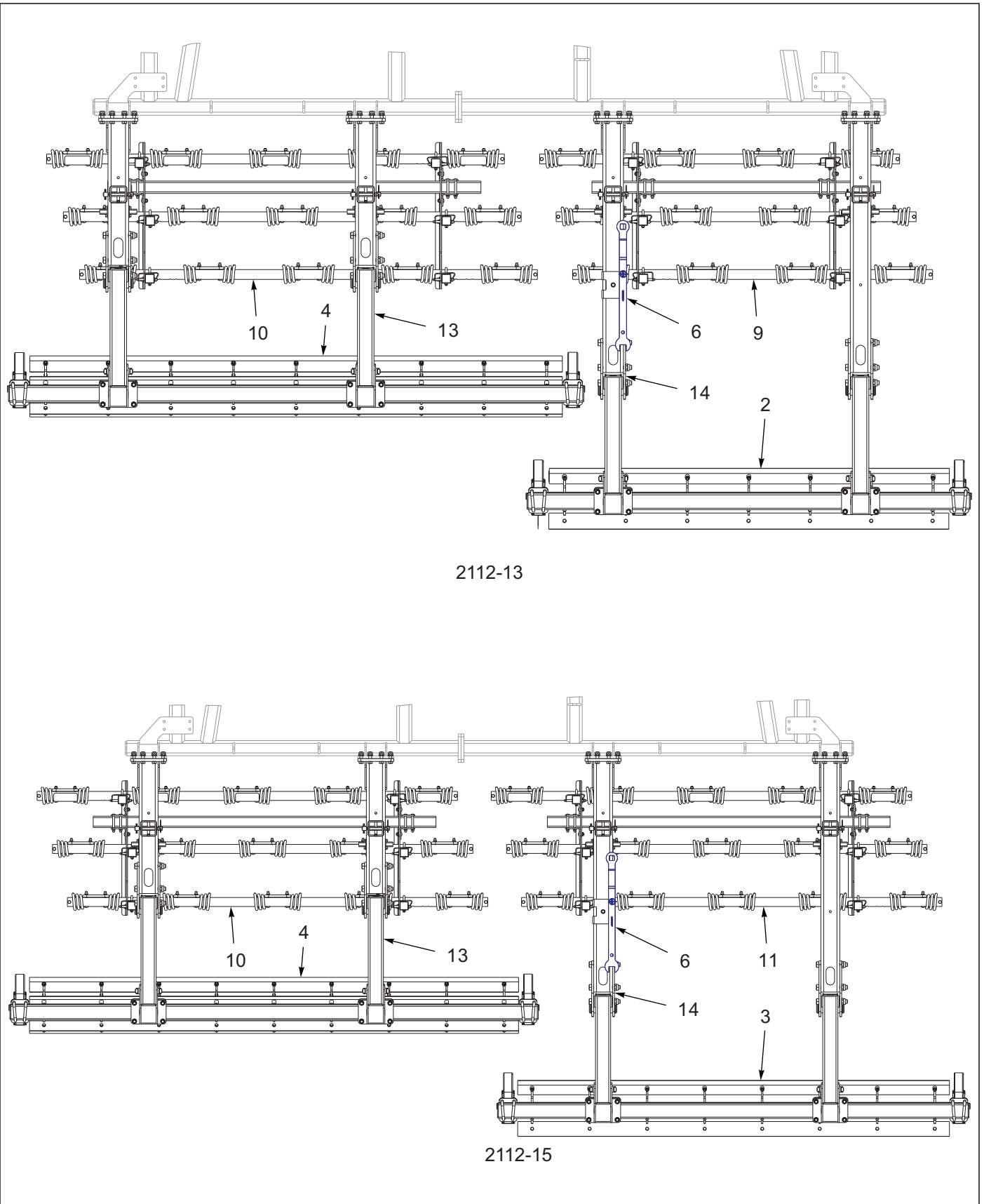


Figure 1-31: Std 3BCT/Chopper Layout (2 of 2)

ILLUSTRATED PARTS LIST

Std 3BCT/Chopper Layout

ITEM	PART NO.	DESCRIPTION	QTY.			
--	231392	STD, 3BCT/CHOP 2112-09	*			
--	231393	STD, 3BCT/CHOP 2112-11		*		
--	231394	STD, 3BCT/CHOP 2112-13			*	
--	231395	STD, 3BCT/CHOP 2112-15				*
1	154407	REEL/GANGBAR ASSY 82" (SEE PAGE 1-93)	--	1	--	--
2	172529	REEL/GANGBAR - 97" ASSY (SEE PAGE 1-93)	--	--	1	--
3	154410	REEL/GANGBAR ASSY 114" (SEE PAGE 1-93)	--	1	--	1
4	155595	CHOPPER-REEL/GANGBAR ASSY 129" (SEE PAGE 1-93)	--	--	1	4
5	182380	REEL/GANGBAR ASSY 156"	1	--	--	--
6	-----	WRENCH HARROW ADJUST ASSEMBLY (SEE PAGE 1-57)	1	1	1	1
7	170865	ASSY, 4 TINE HARROW LH (SEE PAGE 1-71)	--	1	--	--
8	170864	ASSY, 4 TINE HARROW RH (SEE PAGE 1-71)	--	1	--	--
9	231378	ASSY, 4 TINE HARROW RH (SEE PAGE 1-71)	--	--	1	--
10	172477	ASSY, 5 TINE HARROW LH (SEE PAGE 1-71)	--	--	1	1
11	202567	ASSY, 5 TINE HARROW RH (SEE PAGE 1-71)	--	--	--	1
12	231302	ASSY, 6 TINE HARROW W/ EXT (SEE PAGE 1-71)	1	--	--	--
13	231391	STD,ARM SHORT,COMBO HARROWASSY (SEE PAGE 1-59)	2	2	2	2
14	231390	STD,ARM LONG,COMBO HARROW ASSY (SEE PAGE 1-57)	--	2	2	2

ILLUSTRATED PARTS LIST

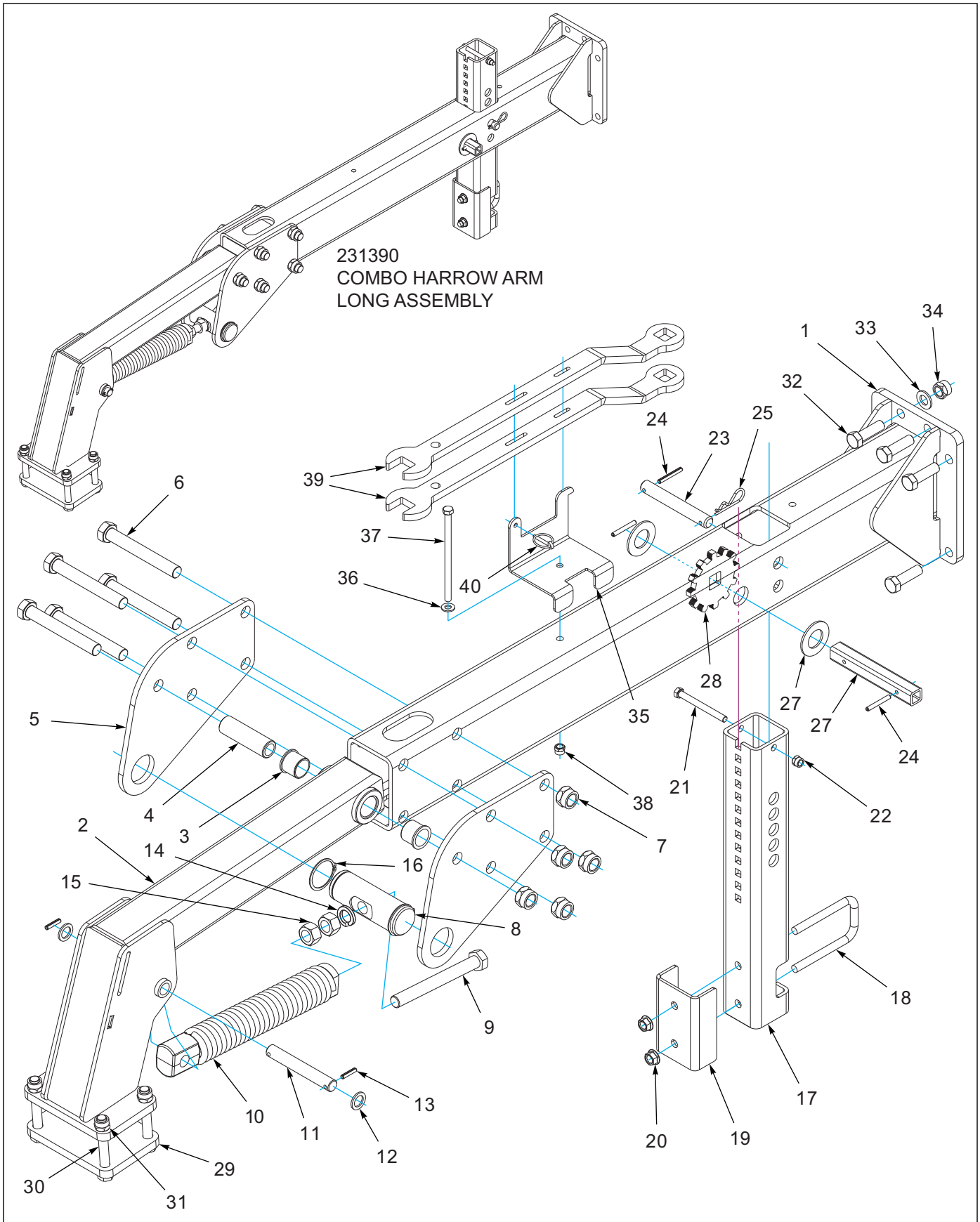


Figure 1-32: Std Combo Harrow Arm Long Assembly

Std Combo Harrow Arm Long Assembly

ITEM	PART NO.	DESCRIPTION	QTY.
--	231390	STD,ARM LONG,COMBO HARROW ASSY (INCLUDES ITEMS 1-31)	
1	223468	ARM, COMBO HARROW LONG WLDMT	1
2	170851	ARM WLDMT REEL	1
3	140599	BEARING, FLANGE 1-1/2"	2
4	170852	BUSHING, PIVOT - 5	1
5	223473	PLATE, SPRING MOUNT	2
6	100856	SCREW,HHCS,1-8X7-1/2 GR5	5
7	1-512-010005-19	NUT 1-8 HEX SLF-LOCKING GRB	5
8	160199	PIN, ADJ 7-/14 W/SNAP RING	1
9	152210	BOLT, ADJ, 1 X 9	1
10	158795	SPRING ASSY, 17"	1
11	172526	PIN PIVOT	1
12	117957	MACHINERY BUSHING,ZINC PLATED	2
13	1-647-010004236	SPRING PIN,SLOTTED 5/16X1-1/2	2
14	1-861-010034-21	WASHER, LKG HEL SPRG 1IN	1
15	1-512-010007-14	NUT, HEX 1-8 GR2 ZP	2
16	158896	SNAP RING, 2-1/2 SHAFT	1
17	170844	TUBE, HARROW ADJ. COMBO ATTACH	1
18	8-102-010043	U-BOLT, SPRING CLAMP	1
19	171427	PLATE, HARROW STIFFNER	1
20	29SFFL 5811	NUT,FLANGE HEAD LOCK5/8-11UNC	1
21	1-654-010055-15	SCR, HX CP, 1/2-13UNCX5 GR5	1
22	1-512-010005-09	NUT,HEX,SLFLKG, 1/2-13 GRB	1
23	158299	PIN 1X7-5/16	1
24	1-647-010004240	PIN,SPRING,SLOTTED,5/16X2-1/2	3
25	1-557-010013	PIN, HAIR 3/16 DIA	1
26	170857	TUBE, HARROW HEIGHT ADJ HANDLE	1
27	1-861-010032-32	WASHER FLAT ZP/CD 1-1/2	2
28	170787	GEAR, HARROW ADJUSTMENT	1
29	170862	PLATE, GANGBAR MOUNT	1
30	1-654-010087-16	SCREW,HEX CAP,3/4-16X5.50 GR8	5
31	1-512-010002-16	NUT,3/4-16 HEX,SLFLKG, GRC	5
32	104483	SCREW 3/4-10X2-1/2 HXCP ZPGR8	8
33	1-861-010032-20	WASHER, FLAT,3/4 N ZP/CD	8
34	1-512-010005-15	NUT,HEX,SLFLKG GRB 3/4-10	8
35	229981	MOUNT, WRENCH	1
36	1-861-010032-14	WASHER, FLAT 1/2" N ZP/CD	1
37	1-654-010055-22	SCREW HEX CAP 1/2-13X8-1/2	1
38	1-512-010005-09	NUT,HEX,SLFLKG, 1/2-13 GRB	1
39	171394	PLATE, WRENCH HARROW ADJ	2
40	70239854	PIN QUICK HITCH	1

ILLUSTRATED PARTS LIST

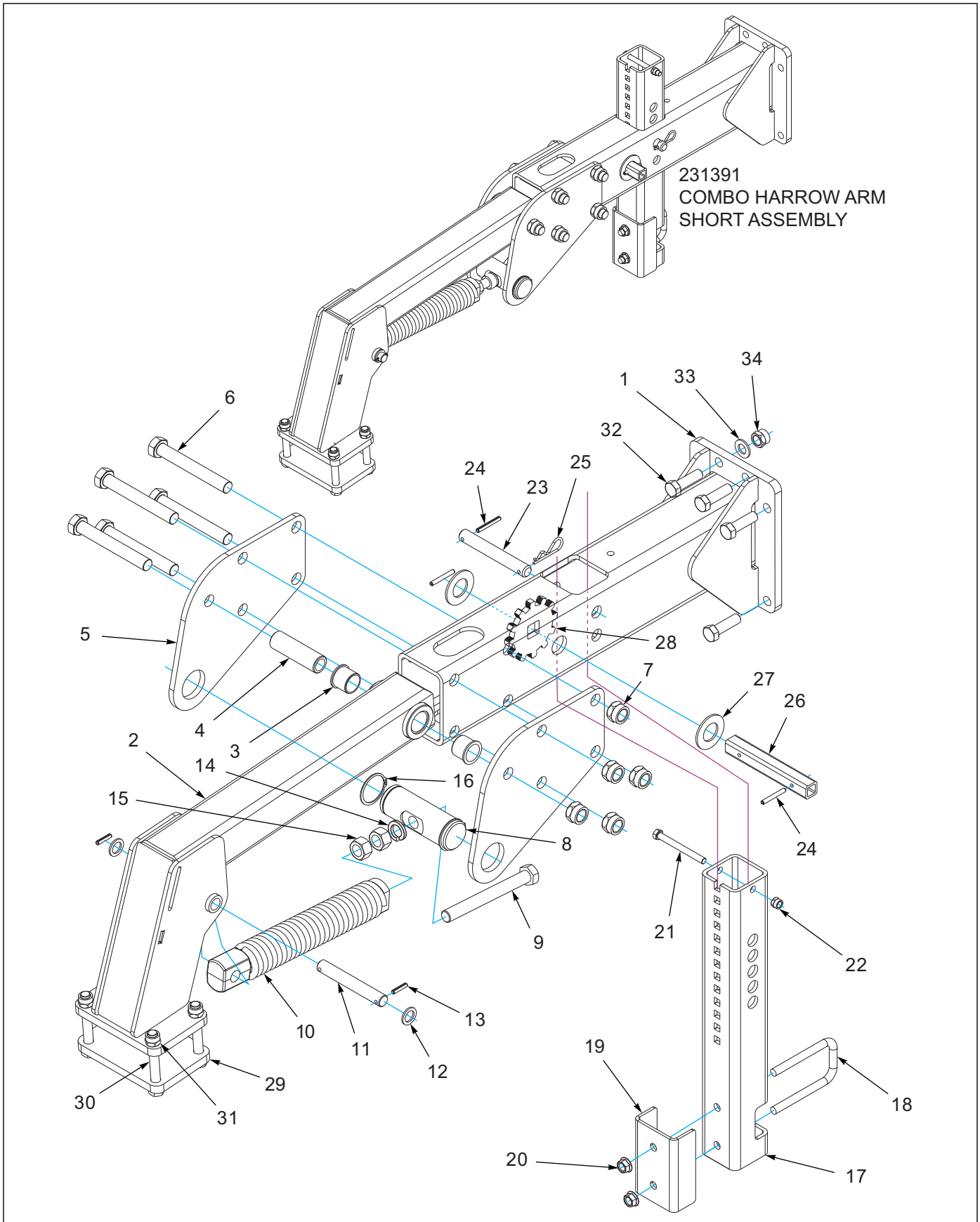


Figure 1-33: Std Combo Harrow Arm Short Assembly

Std Combo Harrow Arm Short Assembly

ITEM	PART NO.	DESCRIPTION	QTY.
--	231391	STD,ARM SHORT,COMBO HARROWASSY (INCLUDES ITEMS 1-31)	
1	223471	ARM, COMBO HARROW WLDMT	1
2	170851	ARM WLDMT REEL	1
3	140599	BEARING, FLANGE 1-1/2"	2
4	170852	BUSHING, PIVOT - 5	1
5	223473	PLATE, SPRING MOUNT	2
6	100856	SCREW,HHCS,1-8X7-1/2 GR5	5
7	1-512-010005-19	NUT 1-8 HEX SLF-LOCKING GRB	5
8	160199	PIN, ADJ 7-/14 W/SNAP RING	1
9	152210	BOLT, ADJ, 1 X 9	1
10	158795	SPRING ASSY, 17"	1
11	172526	PIN PIVOT	1
12	117957	MACHINERY BUSHING,ZINC PLATED	2
13	1-647-010004236	SPRING PIN,SLOTTED 5/16X1-1/2	2
14	1-861-010034-21	WASHER, LKG HEL SPRG 1IN	1
15	1-512-010007-14	NUT, HEX 1-8 GR2 ZP	2
16	158896	SNAP RING, 2-1/2 SHAFT	1
17	170844	TUBE, HARROW ADJ. COMBO ATTACH	1
18	8-102-010043	U-BOLT, SPRING CLAMP	1
19	171427	PLATE, HARROW STIFFNER	1
20	29SFFL 5811	NUT,FLANGE HEAD LOCK5/8-11UNC	1
21	1-654-010055-15	SCR, HX CP, 1/2-13UNCX5 GR5	1
22	1-512-010005-09	NUT,HEX,SLFLKG, 1/2-13 GRB	1
23	158299	PIN 1X7-5/16	1
24	1-647-010004240	PIN,SPRING,SLOTTED,5/16X2-1/2	3
25	1-557-010013	PIN, HAIR 3/16 DIA	1
26	170857	TUBE, HARROW HEIGHT ADJ HANDLE	1
27	1-861-010032-32	WASHER FLAT ZP/CD 1-1/2	2
28	170787	GEAR, HARROW ADJUSTMENT	1
29	170862	PLATE, GANGBAR MOUNT	1
30	1-654-010087-16	SCREW,HEX CAP,3/4-16X5.50 GR8	5
31	1-512-010002-16	NUT,3/4-16 HEX,SLFLKG, GRC	5
32	104483	SCREW 3/4-10X2-1/2 HXCP ZPGR8	8
33	1-861-010032-20	WASHER, FLAT,3/4 N ZP/CD	8
34	1-512-010005-15	NUT,HEX,SLFLKG GRB 3/4-10	8
35	188528	TRUNION, CYLINDER	1
36	188531	TRUNION, BEARING	1
37	109895	WASHER,3ODX2-1/16X14GA	1
38	188530	SNAP RING, 2 SHAFT	1

Hydraulic 3BCT/Chopper Assemblies

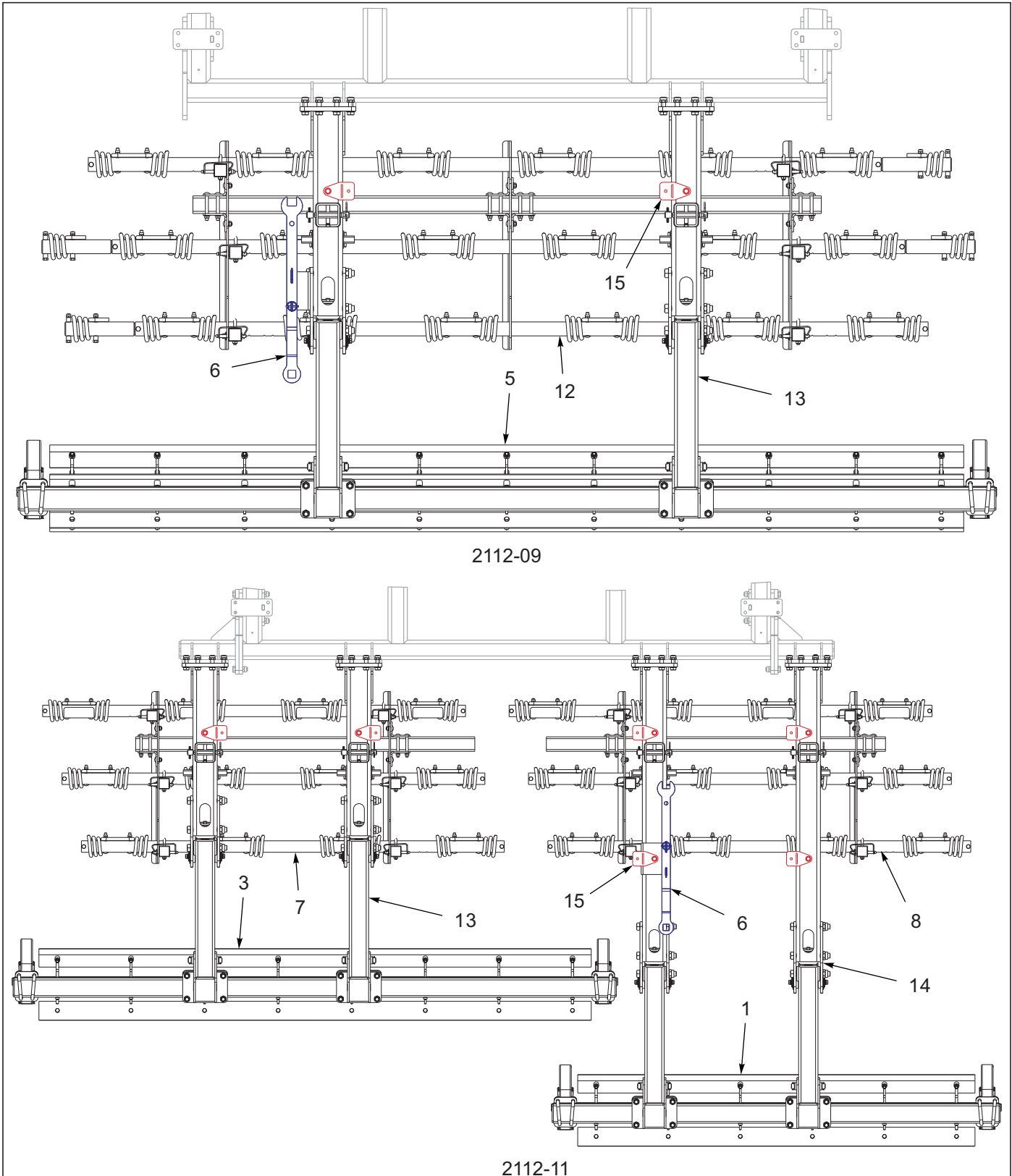
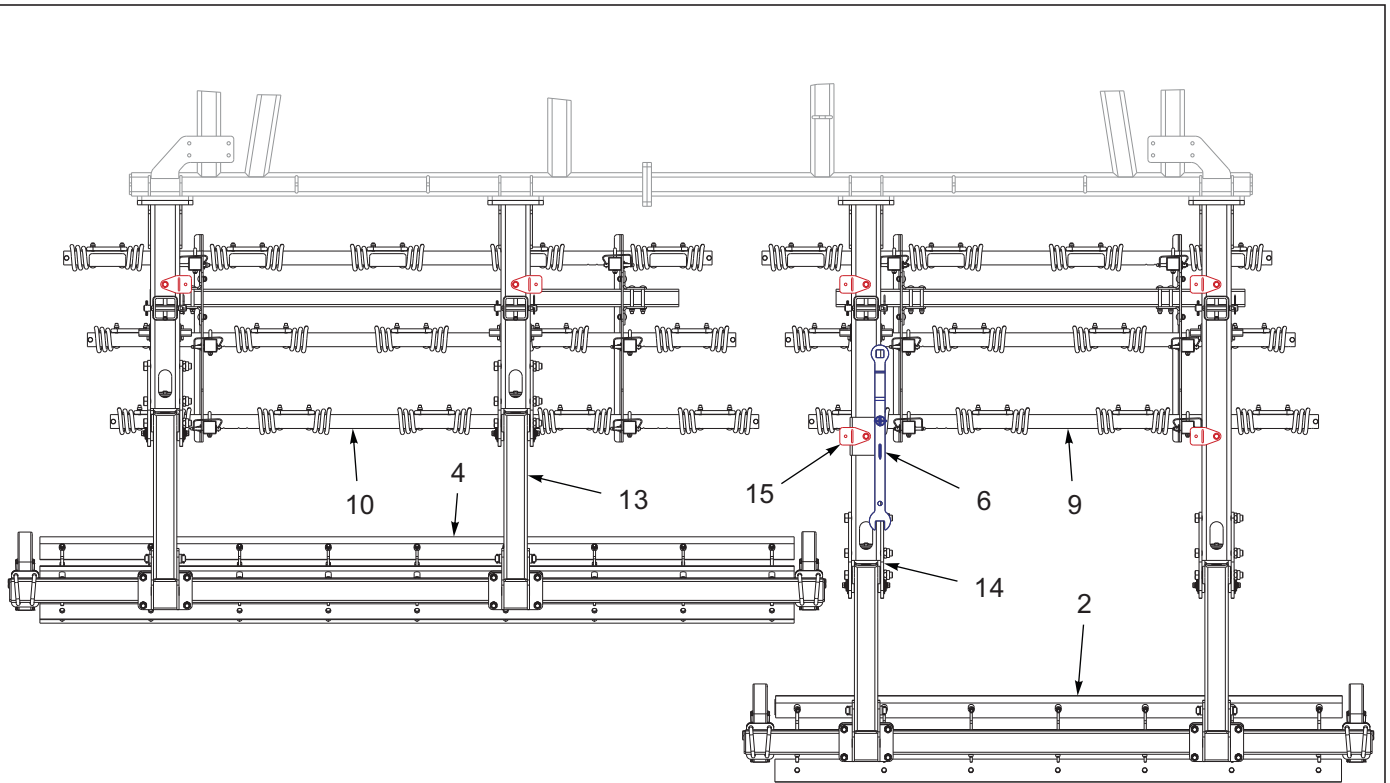
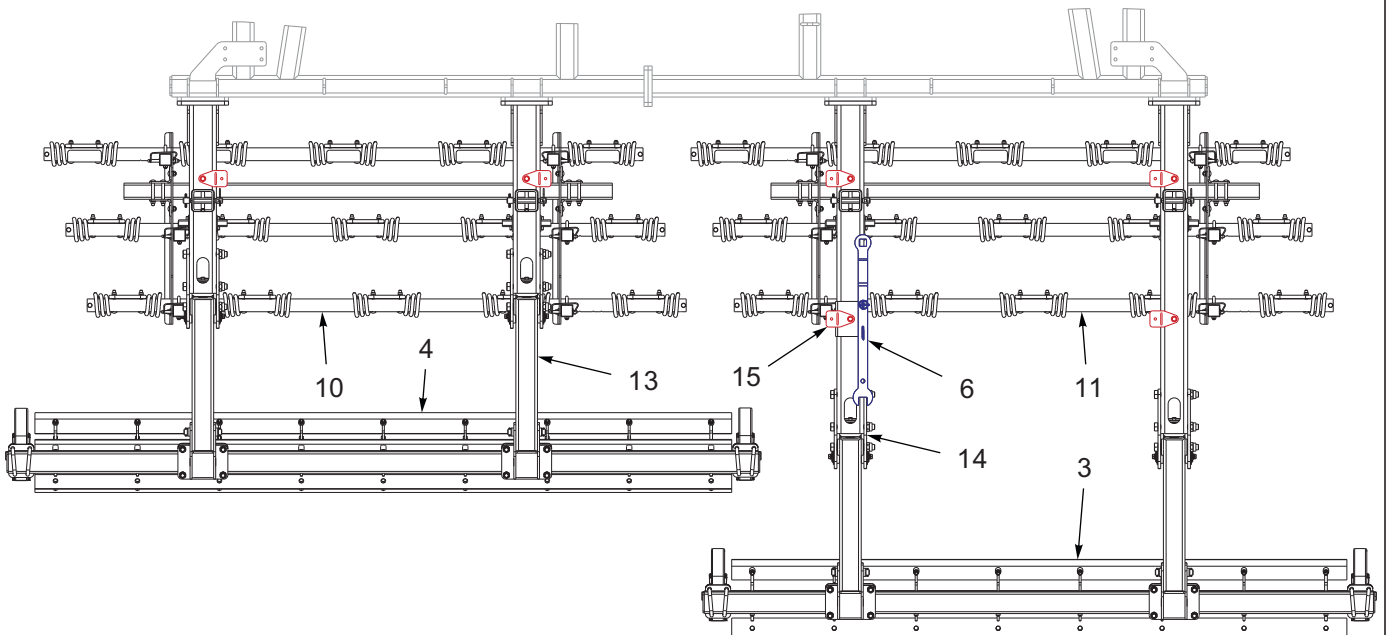


Figure 1-34: Hyd 3BCT/Chopper Layout (1 of 2)



2112-13



2112-15

Figure 1-35: Hyd 3BCT/Chopper Layout (2 of 2)

ILLUSTRATED PARTS LIST

Hyd 3BCT/Chopper Layout

ITEM	PART NO.	DESCRIPTION	QTY.			
--	222659	HYD, 3BCT/CHOPPER 2112-09	*			
--	222660	HYD, 3BCT/CHOPPER 2112-11		*		
--	222661	HYD, 3BCT/CHOPPER 2112-13			*	
--	222662	HYD, 3BCT/CHOPPER 2112-15				*
1	154407	REEL/GANGBAR ASSY 82" (SEE PAGE 1-93)	--	1	--	--
2	172529	REEL/GANGBAR - 97" ASSY (SEE PAGE 1-93)	--	--	1	--
3	154410	REEL/GANGBAR ASSY 114" (SEE PAGE 1-93)	--	1	--	1
4	155595	CHOPPER-REEL/GANGBAR ASSY 129" (SEE PAGE 1-93)	--	--	1	4
5	182380	REEL/GANGBAR ASSY 156"	1	--	--	--
6	-----	WRENCH HARROW ADJUST ASSEMBLY (SEE PAGE 1-57)	1	1	1	1
7	170865	ASSY, 4 TINE HARROW LH (SEE PAGE 1-71)	--	1	--	--
8	170864	ASSY, 4 TINE HARROW RH (SEE PAGE 1-71)	--	1	--	--
9	231378	ASSY, 4 TINE HARROW RH (SEE PAGE 1-71)	--	--	1	--
10	172477	ASSY, 5 TINE HARROW LH (SEE PAGE 1-71)	--	--	1	1
11	202567	ASSY, 5 TINE HARROW RH (SEE PAGE 1-71)	--	--	--	1
12	231302	ASSY, 6 TINE HARROW W/ EXT	1	--	--	--
13	223470	ASSY, HARROW ARM SHORT, COMBO (SEE PAGE 1-69)	2	2	2	2
14	223469	ASSY, HARROW ARM LONG, COMBO (SEE PAGE 1-65)	--	2	2	2
15	225198	PLATE, HOSE MOUNT	2	6	6	6

ILLUSTRATED PARTS LIST

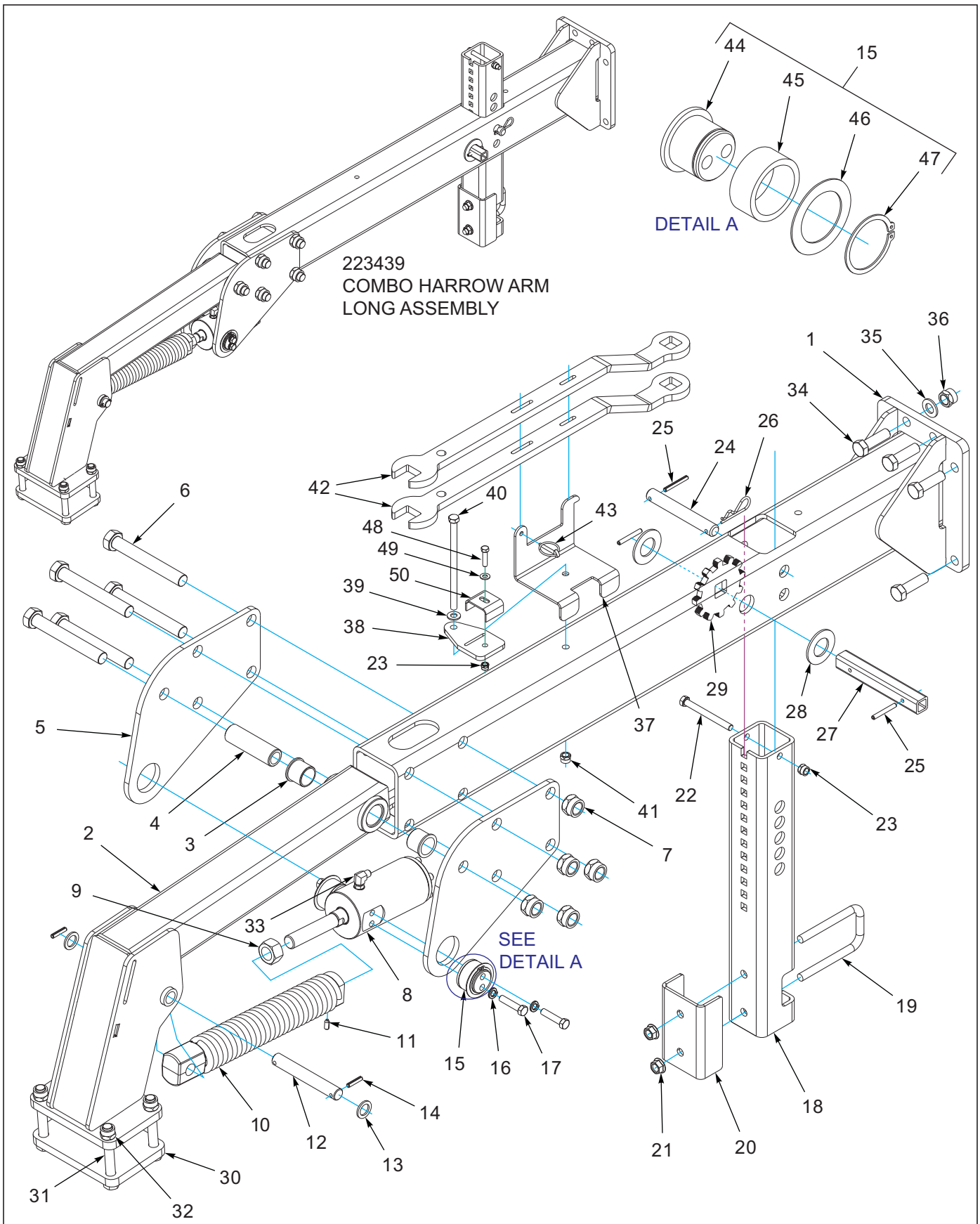


Figure 1-36: Hyd Combo Harrow Arm Long Assembly

Hyd Combo Harrow Arm Long Assembly

ITEM	PART NO.	DESCRIPTION	QTY.
--	223469	ASSY, HARROW ARM LONG, COMBO (INCLUDES ITEMS 1-33)	
1	223468	ARM, COMBO HARROW LONG WLDMT	1
2	170851	ARM WLDMT REEL	1
3	140599	BEARING, FLANGE 1-1/2"	2
4	170852	BUSHING, PIVOT - 5	1
5	223473	PLATE, SPRING MOUNT	2
6	100856	SCREW,HHCS,1-8X7-1/2 GR5	5
7	1-512-010005-19	NUT 1-8 HEX SLF-LOCKING GRB	5
8	206672	CYL ASM 2-1/2X3-1/2ST1-1/8THDS (SEE PAGE 1-44)	1
9	206675	NUT, 1-1/8 -12 UNF, Z/P GR 2	1
10	206652	SPRING ASSY 17" 1-1/8 THD	1
11	1P444	SET SCREW, 3/8-16 X 3/4 NYLON	1
12	172526	PIN PIVOT	1
13	117957	MACHINERY BUSHING,ZINC PLATED	2
14	1-647-010004236	SPRING PIN,SLOTTED 5/16X1-1/2	2
15	198321	ASSY, TRUNION MOUNT 1-5/8" (INCLUDES ITEMS 44-47)	2
16	1-861-010034-13	WASHER, LKG HLCL SPR, 1/2	4
17	169690	SCREW HXCP1/2-13UNCX2-1/4 G5	4
18	170844	TUBE, HARROW ADJ. COMBO ATTACH	1
19	8-102-010043	U-BOLT, SPRING CLAMP	1
20	171427	PLATE, HARROW STIFFNER	1
21	29SFFL 5811	NUT,FLANGE HEAD LOCK5/8-11UNC	1
22	1-654-010055-15	SCR, HX CP, 1/2-13UNCX5 GR5	1
23	1-512-010005-09	NUT,HEX,SLFLKG, 1/2-13 GRB	2
24	158299	PIN 1X7-5/16	1
25	1-647-010004240	PIN,SPRING,SLOTTED,5/16X2-1/2	3
26	1-557-010013	PIN, HAIR 3/16 DIA	1
27	170857	TUBE, HARROW HEIGHT ADJ HANDLE	1
28	1-861-010032-32	WASHER FLAT ZP/CD 1-1/2	2
29	170787	GEAR, HARROW ADJUSTMENT	1
30	170862	PLATE, GANGBAR MOUNT	1
31	1-654-010087-16	SCREW,HEX CAP,3/4-16X5.50 GR8	5
32	1-512-010002-16	NUT,3/4-16 HEX,SLFLKG, GRC	5
33	2062-6-6S	ADAPTER, 90, #6SAE X #6 JIC	1
34	104483	SCREW 3/4-10X2-1/2 HXCP ZPGR8	8
35	1-861-010032-20	WASHER, FLAT,3/4 N ZP/CD	8
36	1-512-010005-15	NUT,HEX,SLFLKG GRB 3/4-10	8
37	229981	MOUNT, WRENCH	1
38	225198	PLATE, HOSE MOUNT	1
39	1-861-010032-14	WASHER, FLAT 1/2" N ZP/CD	1
40	1-654-010055-22	SCREW HEX CAP 1/2-13X8-1/2	1
41	1-512-010005-09	NUT,HEX,SLFLKG, 1/2-13 GRB	1
42	171394	PLATE, WRENCH HARROW ADJ	2
43	70239854	PIN QUICK HITCH	1
44	188528	TRUNION, CYLINDER	1
45	188531	TRUNION, BEARING	1
46	109895	WASHER,3ODX2-1/16X14GA	1
47	188530	SNAP RING, 2 SHAFT	1
48	1-654-010051-07	SCREW,HEX CAP,3/8-16UNCX1-1/2	1

Hyd Combo Harrow Arm Long Assembly

ITEM	PART NO.	DESCRIPTION	QTY.
49	1-861-010032-10	WASHER, FLAT 3/8" N ZP/CD	1
50	2-181-010001	NUT, HEX, SLFLKG GRB 3/8-16	1

ILLUSTRATED PARTS LIST

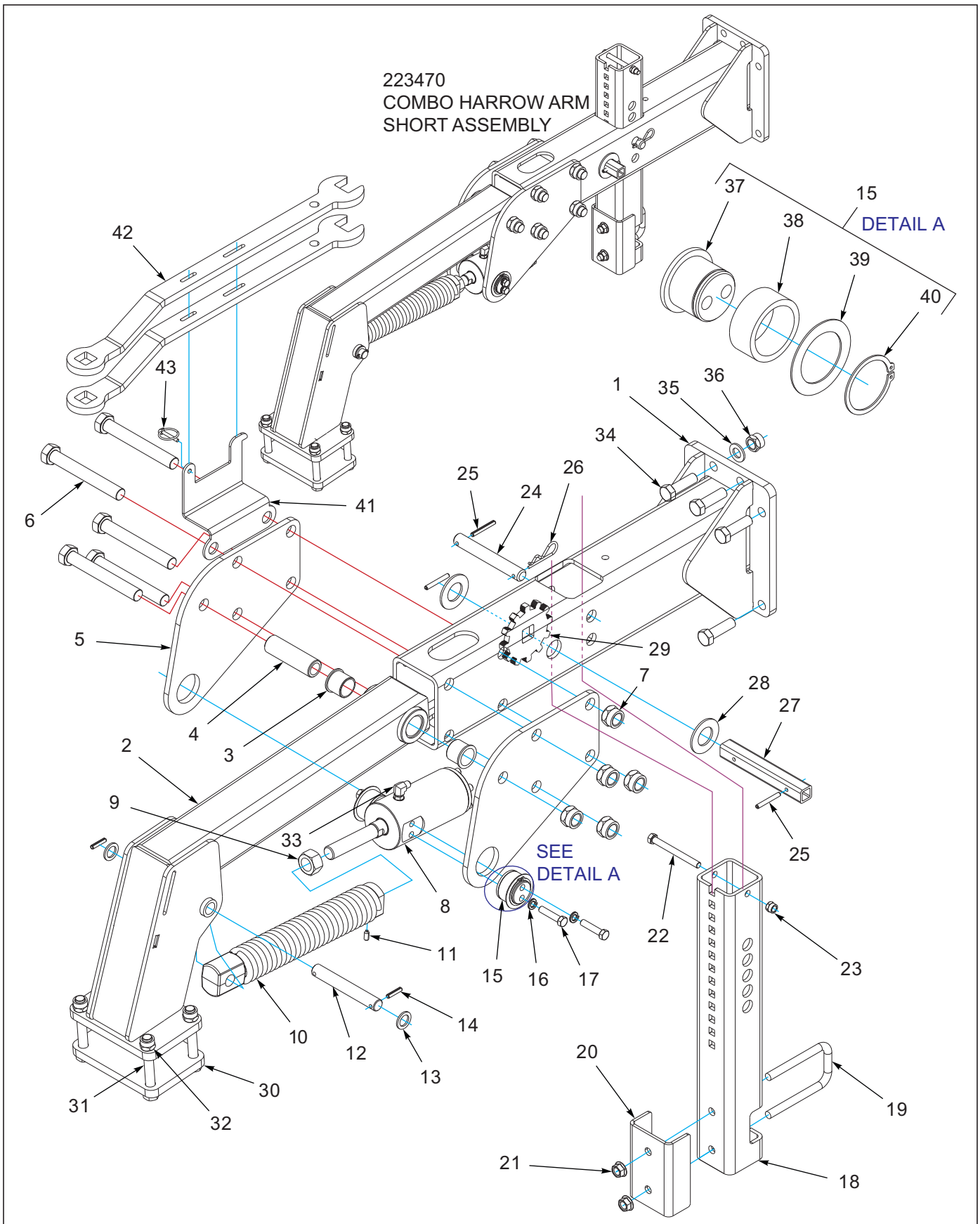


Figure 1-37: Hyd Combo Harrow Arm Short Assembly

Hyd Combo Harrow Arm Short Assembly

ITEM	PART NO.	DESCRIPTION	QTY.
--	239470	ASSY, HARROW ARM SHORT, COMBO (INCLUDES ITEMS 1-36)	
1	223471	ARM, COMBO HARROW WLDMT	1
2	170851	ARM WLDMT REEL	1
3	140599	BEARING, FLANGE 1-1/2"	2
4	170852	BUSHING, PIVOT - 5	1
5	223473	PLATE, SPRING MOUNT	2
6	100856	SCREW,HHCS,1-8X7-1/2 GR5	5
7	1-512-010005-19	NUT 1-8 HEX SLF-LOCKING GRB	5
8	206672	CYL ASM 2-1/2X3-1/2ST1-1/8THDS (SEE PAGE 1-44)	1
9	206675	NUT, 1-1/8 -12 UNF, Z/P GR 2	1
10	206652	SPRING ASSY 17" 1-1/8 THD	1
11	1P444	SET SCREW, 3/8-16 X 3/4 NYLON	1
12	172526	PIN PIVOT	1
13	117957	MACHINERY BUSHING,ZINC PLATED	2
14	1-647-010004236	SPRING PIN,SLOTTED 5/16X1-1/2	2
15	198321	ASSY, TRUNION MOUNT 1-5/8" (INCLUDES ITEMS 37-40)	2
16	1-861-010034-13	WASHER, LKG HLCL SPR, 1/2	4
17	169690	SCREW HXCP1/2-13UNCX2-1/4 G5	4
18	170844	TUBE, HARROW ADJ. COMBO ATTACH	1
19	8-102-010043	U-BOLT, SPRING CLAMP	1
20	171427	PLATE, HARROW STIFFNER	1
21	29SFFL 5811	NUT,FLANGE HEAD LOCK5/8-11UNC	1
22	1-654-010055-15	SCR, HX CP, 1/2-13UNCX5 GR5	1
23	1-512-010005-09	NUT,HEX,SLFLKG, 1/2-13 GRB	1
24	158299	PIN 1X7-5/16	1
25	1-647-010004240	PIN,SPRING,SLOTTED,5/16X2-1/2	3
26	1-557-010013	PIN, HAIR 3/16 DIA	1
27	170857	TUBE, HARROW HEIGHT ADJ HANDLE	1
28	1-861-010032-32	WASHER FLAT ZP/CD 1-1/2	2
29	170787	GEAR, HARROW ADJUSTMENT	1
30	170862	PLATE, GANGBAR MOUNT	1
31	1-654-010087-16	SCREW,HEX CAP,3/4-16X5.50 GR8	5
32	1-512-010002-16	NUT,3/4-16 HEX,SLFLKG, GRC	5
33	2062-6-6S	ADAPTER, 90, #6SAE X #6 JIC	1
34	104483	SCREW 3/4-10X2-1/2 HXCP ZPGR8	8
35	1-861-010032-20	WASHER, FLAT,3/4 N ZP/CD	8
36	1-512-010005-15	NUT,HEX,SLFLKG GRB 3/4-10	8
37	188528	TRUNION, CYLINDER	1
38	188531	TRUNION, BEARING	1
39	109895	WASHER,3ODX2-1/16X14GA	1
40	188530	SNAP RING, 2 SHAFT	1

ILLUSTRATED PARTS LIST

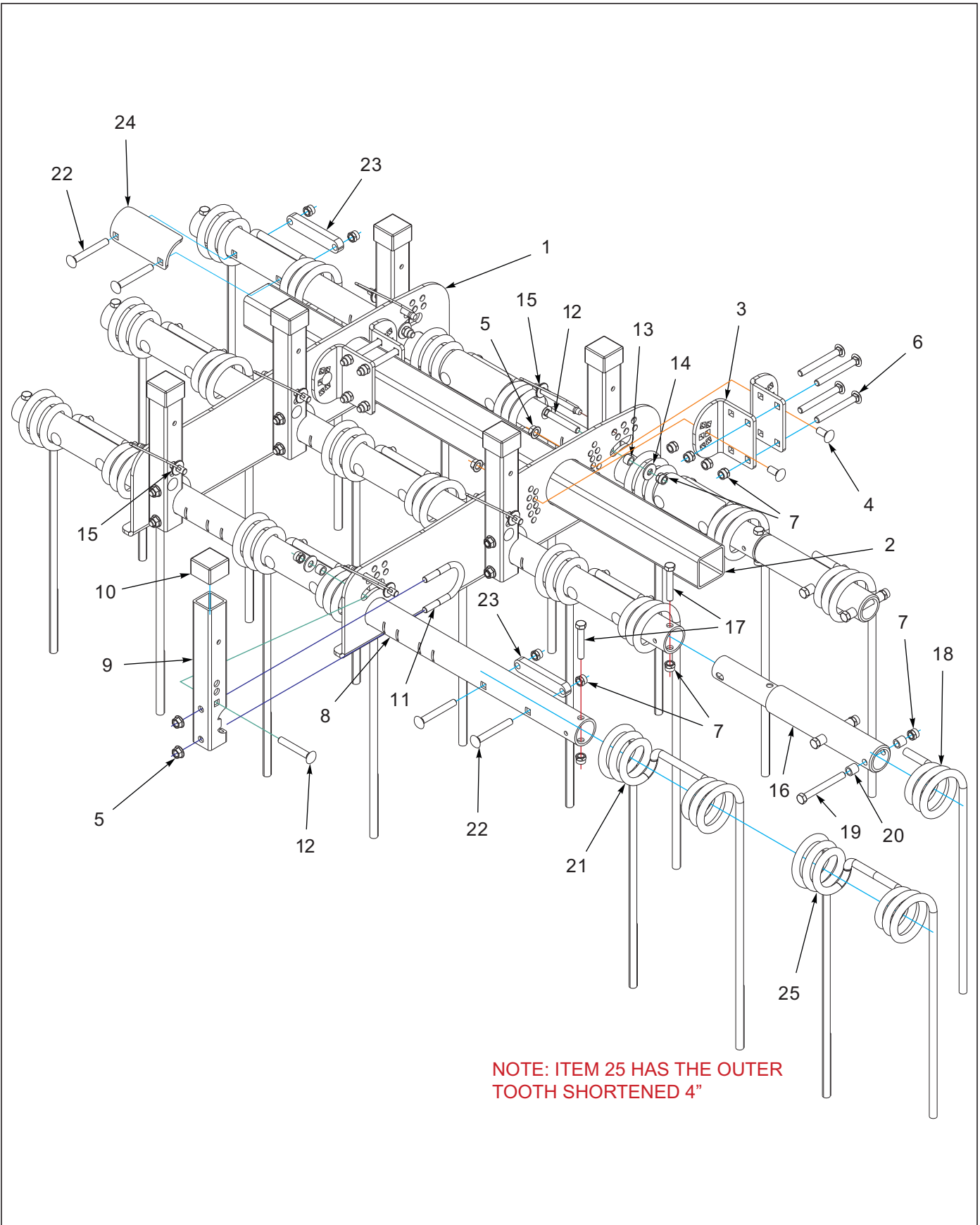


Figure 1-38: Tine Harrow Assembly

Tine Harrow Assembly

ITEM	PART NO.	DESCRIPTION	QTY.			
--	231378	ASSY, 4 TINE HARROW RH	*			
--	170865	ASSY, 4 TINE HARROW LH	*			
--	170864	ASSY, 4 TINE HARROW RH	*			
--	172477	ASSY, 5 TINE HARROW LH	*			
--	202567	ASSY, 5 TINE HARROW RH	*			
--	231302	ASSY, 6 TINE HARROW W/ EXT	*			
1	154993	PLATE GANG BAR	2	2	2	3
2	156778	TUBE RIDE BAR 90.5"	--	--	1	--
2	155005	TUBE SQ 3 X 3/16X107	--	--	--	1
2	170735	TUBE, RIDE BAR 51"	--	--	--	--
2	170870	TUBE, SQ 3 X 3/16 X 70	1	1	--	--
3	154998	PLATE ANGLE ADJUSTMENT	4	4	4	8
4	1-654-010070-02	SCREW 1/2-13X1-1/4 RD HD SQNK	4	4	4	4
5	1-510-010003-09	NUT,1/2-13 FLANGE HD,SERRATED	24	24	24	34
6	1-654-010070-14	SCREW 1/2-13X4-1/2RDHD SQNCK	8	8	8	16
7	1-512-010005-09	NUT,HEX,SLFLKG, 1/2-13 GRB	42	42	42	56
8	195244	GANG BAR 5 TINE 111	--	--	3	--
8	195274	GANG BAR 6 TINE 135	--	--	--	3
8	195241	GANG BAR 3 TINE 63-1/4	--	--	--	--
8	195243	GANG BAR 4 TINE 87-1/4	3	3	--	--
9	154994	TUBE ANGLE ADJUST	6	6	6	6
10	155927	CAP, TUBE 1.95X1.5 BLACK	6	6	6	6
11	154995	U-BOLT, 1/2	6	6	6	6
12	1-654-010070-11	SCREW,RDHD,SQNCK 1/2-13X3-1/2	6	6	6	6
13	155956	BUSHING ANGLE ADJUSTMENT	6	6	6	6
14	1-861-010032-15	WASHER, FLAT 1/2 W ZP/CD	6	6	6	6
15	155971	PIN, HARROW ADJ	6	6	6	6
16	229919	RD TUBE, TINE EXT-12"	--	--	--	4
17	1-654-010055-09	SCREW,HX CP,1/2-13UNCX3 GR5	6	6	6	6
18	229920	TINE, HARROW SPNG RH SINGLE (SHOWN)	--	--	--	2
18	229921	TINE, HARROW SPNG LH SINGLE	--	--	--	2
19	1-654-010055-14	SCREW,HX CP,1/2-13UNCX4-1/2G5	--	--	--	8
20	154997	TUBE 0.75ODX0.532IDX0.75 ZP	--	--	--	16
21	171421	TINE, HARROW SPRING	10	10	13	18
22	1-654-010070-13	SCREW,RH HD, SQ NCK 1/2-13X4	24	24	30	36
23	217570	STOP, COIL TINE 1/2"	12	12	15	18
24	231304	RD TUBE, TINE STOP	4	4	5	--
25	202331	TINE, HARROW SPNG RH END 5/8 (SHOWN)	2	2	2	--
25	202332	TINE, HARROW SPNG LH END 5/8	2	2	2	--

ILLUSTRATED PARTS LIST

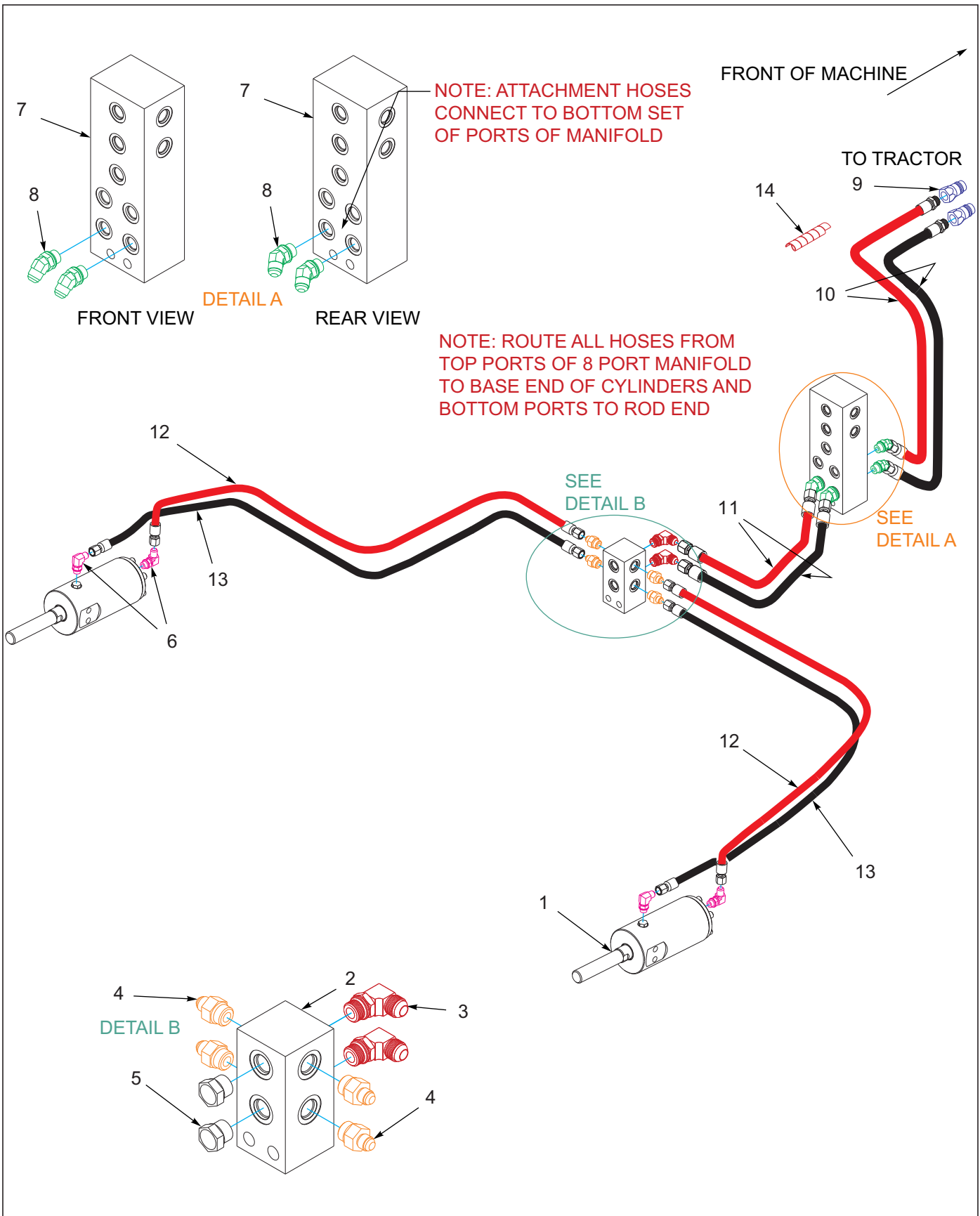


Figure 1-39: 3BCT/Chopper Hydraulic Assembly 2112-09

3BCT/Chopper Hydraulic Assembly 2112-09

ITEM	PART NO.	DESCRIPTION	QTY.
1	206672	CYL ASM 2-1/2X3-1/2ST1-1/8THDS (SEE PAGE 1-44)	6
2	2-474-010022	MANIFOLD HYDRAULIC, 8 HOSE	1
3	2062-8-8S	ADAPTER, 90, #8 O-RING-TUBE	2
4	202702-8-6S	ADAPTER #8 O-RING TO #6 TUBE	6
5	1-007-010025	PLUG, 3/4-16 O-RING BOSS	2
6	2062-6-6S	ADAPTER, 90, #6SAE X #6 JIC	12
7	228277	MANIFOLD, FRONT 2112 ASSY	1
8	2061-8-8S	ADAPTER, 45, #8 O-RING-TUBE	2
9	141828	COUPLER,MALE 3/4-16 O-RING	2
10	141861	HOSE ASSY 3/8X196 #8JICX8OR	2
11	116437	HOSE ASSY, 3/8X267 #8 JIC SW	2
12	228264	HOSE ASSY, 1/4X73#6JIC STR	2
13	7779-78	HOSE HYD 1/4 X 78	2
14	172973	HOSE WRAP, RED	2

ILLUSTRATED PARTS LIST

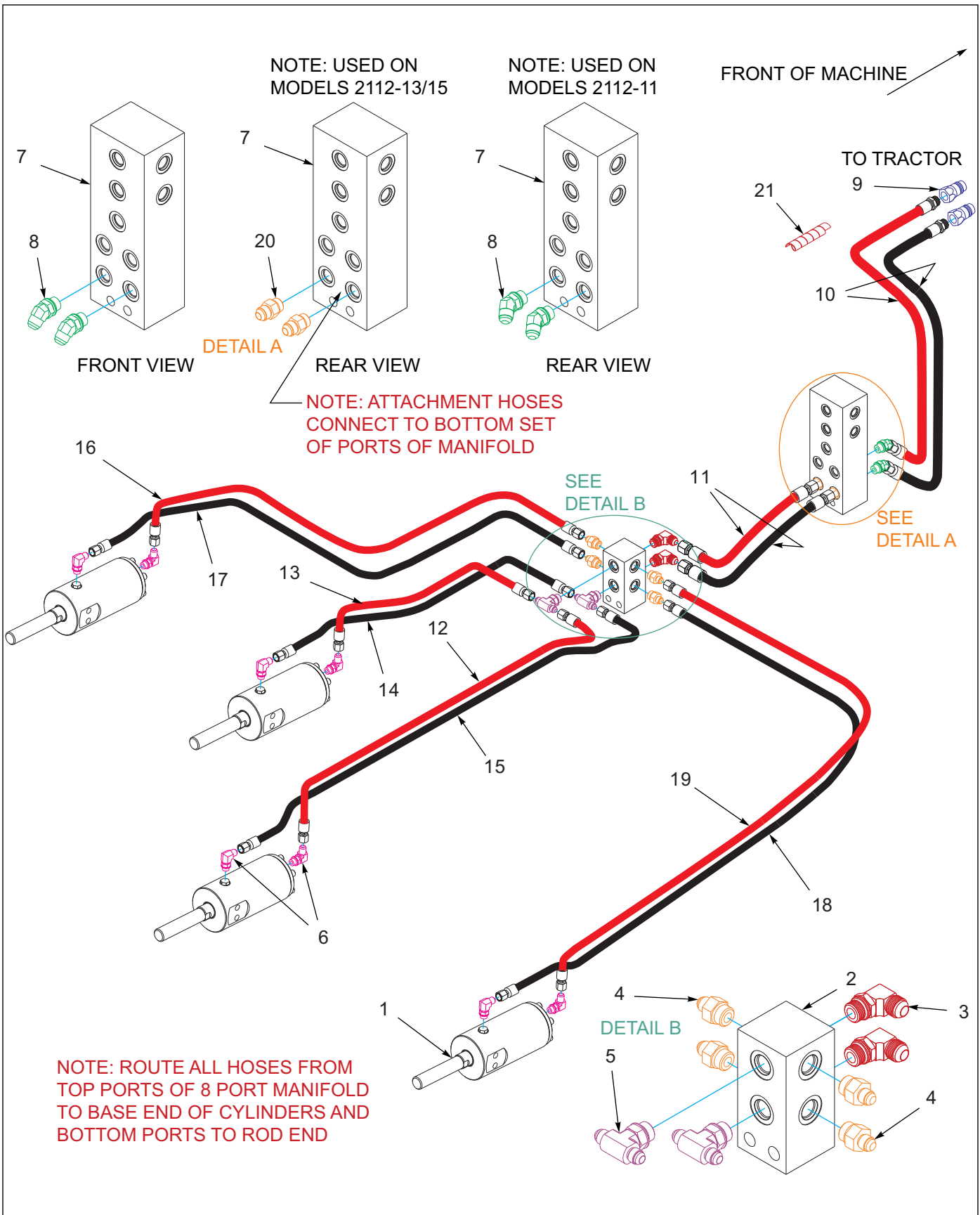


Figure 1-40: 3BCT/Chopper Hydraulic Assembly 2112-11-13-15

3BCT/Chopper Hydraulic Assembly 2112-11-13-15

ITEM	PART NO.	DESCRIPTION	QTY.
1	206672	CYL ASM 2-1/2X3-1/2ST1-1/8THDS (SEE PAGE 1-44)	6
2	2-474-010022	MANIFOLD HYDRAULIC, 8 HOSE	1
3	2062-8-8S	ADAPTER, 90, #8 O-RING-TUBE	2
4	202702-8-6S	ADAPTER #8 O-RING TO #6 TUBE	6
5	139347	ADT TEE #6 JIC X #8 O-RING	2
6	2062-6-6S	ADAPTER, 90, #6SAE X #6 JIC	12
7	228277	MANIFOLD, FRONT 2112 ASSY	1
8	2061-8-8S	ADAPTER, 45, #8 O-RING-TUBE	2
9	141828	COUPLER,MALE 3/4-16 O-RING	2
10	141861	HOSE ASSY 3/8X196 #8JICX8OR	2
11	116437	HOSE ASSY, 3/8X267 #8 JIC SW	2
12	225093	HOSE ASSY, 1/4X100#6 JIC STR	1
13	228264	HOSE ASSY, 1/4X73#6JIC STR	1
14	7779-78	HOSE HYD 1/4 X 78	1
15	228265	HOSE ASSY, 1/4X105#6JIC STR	1
16	71509123	HOSE, .25 X 104 IN. (2112-11)	1
16	228266	HOSE ASSY, 1/4X134#6JIC STR (2112-13-15)	1
17	227698	HOSE ASSY, 1/4X110 #6 JIC STR (2112-11)	1
17	228267	HOSE ASSY, 1/4X139#6JIC STR (2112-13-15)	1
18	71509001	HOSE, .25 X 137IN (2112-11)	1
18	228269	HOSE ASSY, 1/4X165#6JIC STR (2112-13-15)	1
19	71508981	HOSE ASSY 1/4 #6 JIC (2X) 130" (2112-11)	1
19	228268	HOSE ASSY, 1/4X160#6JIC STR (2112-13-15)	1
20	202702-8-8S	ADAPTER #8 O-RING TO #8 TUBE	2
21	172973	HOSE WRAP, RED	2

Standard Chopper Reel Assemblies

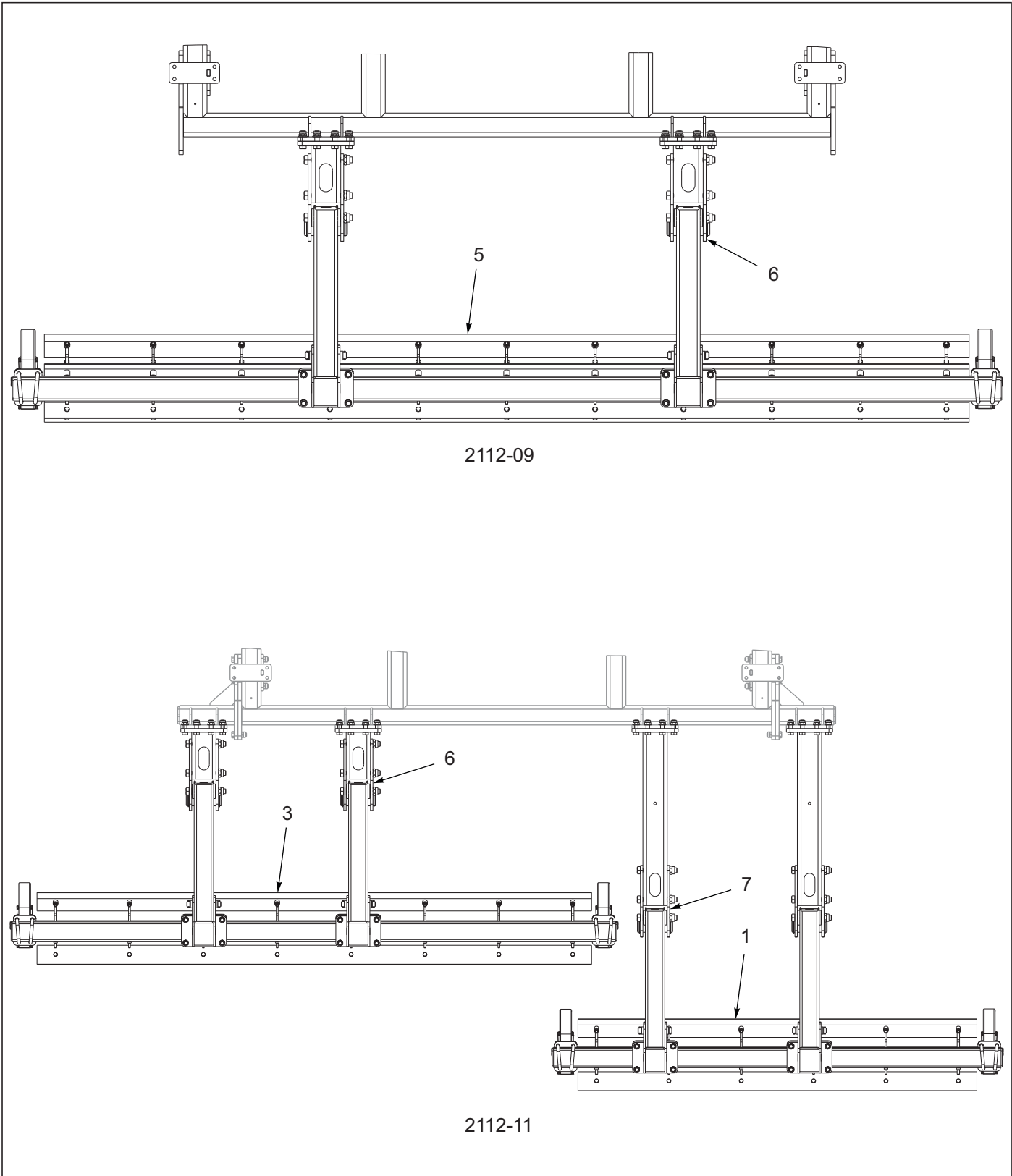
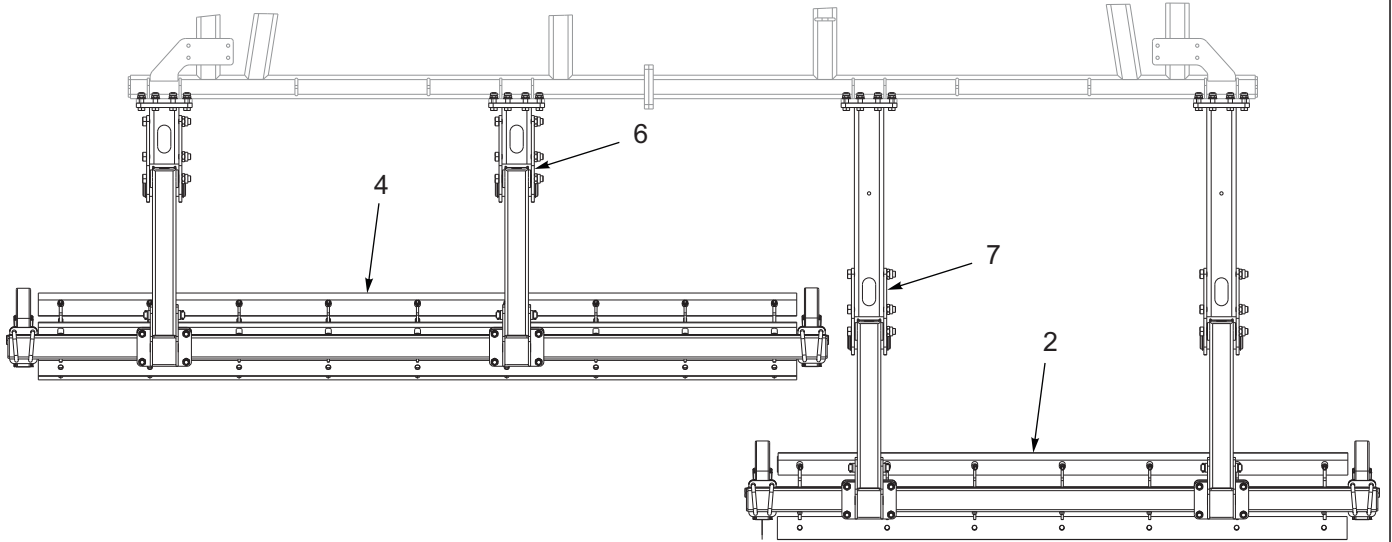
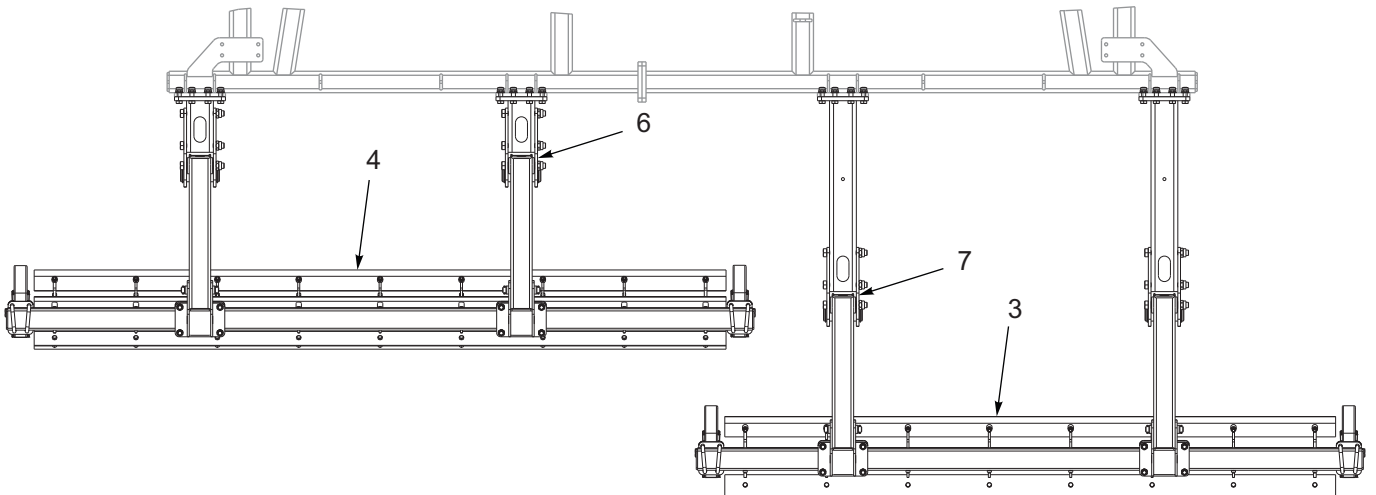


Figure 1-41: Std Chopper Reel Layout (1 of 2)



2112-13



2112-15

Figure 1-42: Std Chopper Reel Layout (2 of 2)

Std Chopper Reel Layout

ITEM	PART NO.	DESCRIPTION	QTY.			
--	231207	STD, CHOPPER REEL 2112-09	*			
--	231208	STD, CHOPPER REEL 2112-11		*		
--	231209	STD, CHOPPER REEL 2112-13			*	
--	231210	STD, CHOPPER REEL 2112-15				*
1	154407	REEL/GANGBAR ASSY 82" (SEE PAGE 1-93)	--	1	--	--
2	172529	REEL/GANGBAR - 97" ASSY (SEE PAGE 1-93)	--	--	1	--
3	154410	REEL/GANGBAR ASSY 114" (SEE PAGE 1-93)	--	1	--	1
4	155595	CHOPPER-REEL/GANGBAR ASSY 129" (SEE PAGE 1-93)	--	--	1	1
5	182380	REEL/GANGBAR ASSY 156" (SEE PAGE 1-93)	1	--	--	--
5	229999	ASSY, CHOPPER ARM SHORT (SEE PAGE 1-83)	2	2	2	2
6	229998	ASSY, CHOPPER ARM LONG (SEE PAGE 1-81)	--	2	2	2

ILLUSTRATED PARTS LIST

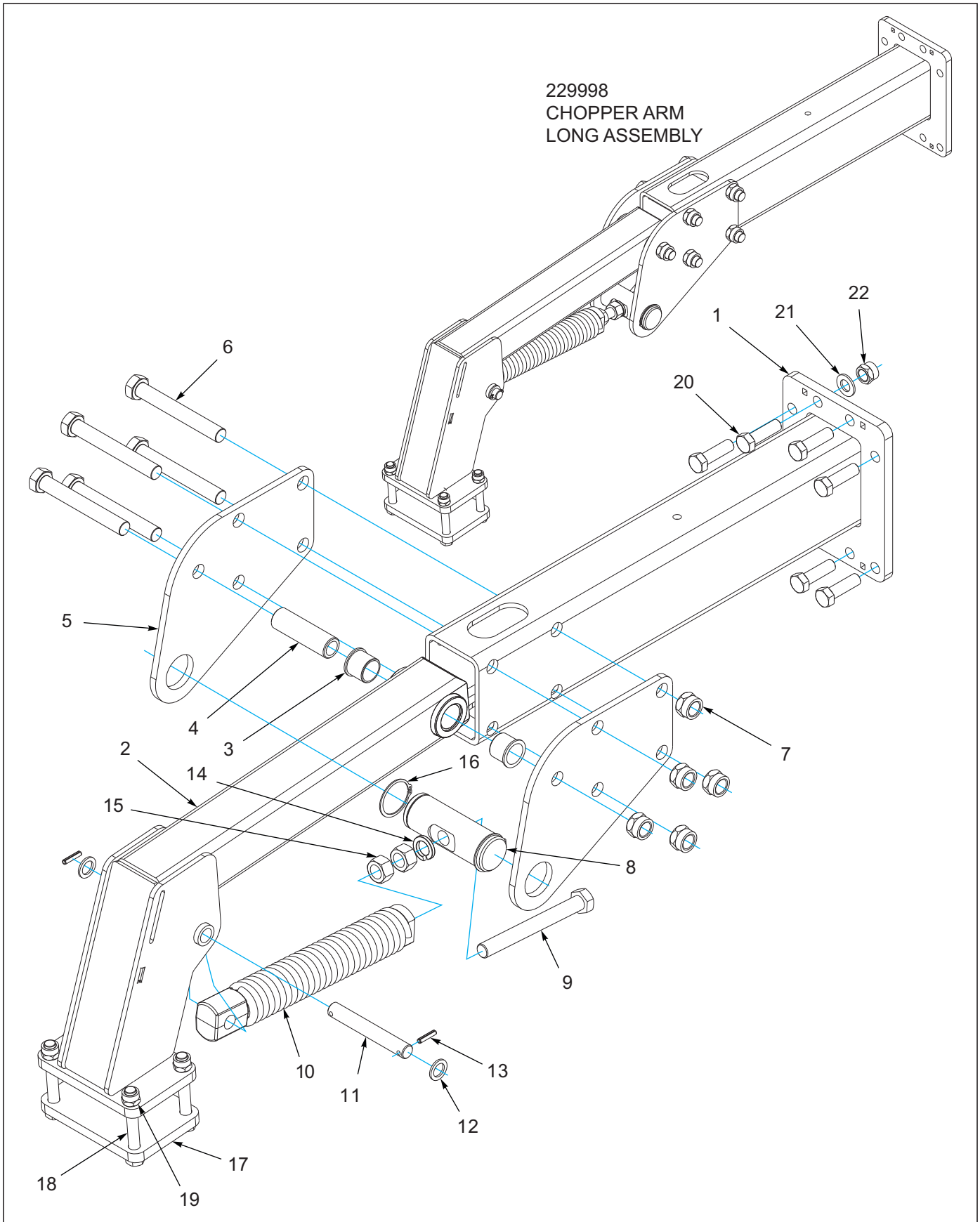


Figure 1-43: Std Chopper Arm Long Assembly

Std Chopper Arm Long Assembly

ITEM	PART NO.	DESCRIPTION	QTY.
--	229998	ASSY, CHOPPER ARM LONG (INCLUDES ITEMS 1-19)	
1	229993	ARM, CHOPPER LONG WLDMT	1
2	170851	ARM WLDMT REEL	1
3	140599	BEARING, FLANGE 1-1/2"	2
4	170852	BUSHING, PIVOT - 5	1
5	223473	PLATE, SPRING MOUNT	2
6	100856	SCREW,HHCS,1-8X7-1/2 GR5	5
7	1-512-010005-19	NUT 1-8 HEX SLF-LOCKING GRB	5
8	160199	PIN, ADJ 7-/14 W/SNAP RING	1
9	152210	BOLT, ADJ, 1 X 9	1
10	158795	SPRING ASSY, 17"	1
11	172526	PIN PIVOT	1
12	117957	MACHINERY BUSHING,ZINC PLATED	2
13	1-647-010004236	SPRING PIN,SLOTTED 5/16X1-1/2	2
14	1-861-010034-21	WASHER, LKG HEL SPRG 1IN	1
15	1-512-010007-14	NUT, HEX 1-8 GR2 ZP	2
16	158896	SNAP RING, 2-1/2 SHAFT	1
17	170862	PLATE, GANGBAR MOUNT	1
18	1-654-010087-16	SCREW,HEX CAP,3/4-16X5.50 GR8	5
19	1-512-010002-16	NUT,3/4-16 HEX,SLFLKG, GRC	5
20	104483	SCREW 3/4-10X2-1/2 HXCP ZPGR8	8
21	1-861-010032-20	WASHER, FLAT,3/4 N ZP/CD	8
22	1-512-010005-15	NUT,HEX,SLFLKG GRB 3/4-10	8

ILLUSTRATED PARTS LIST

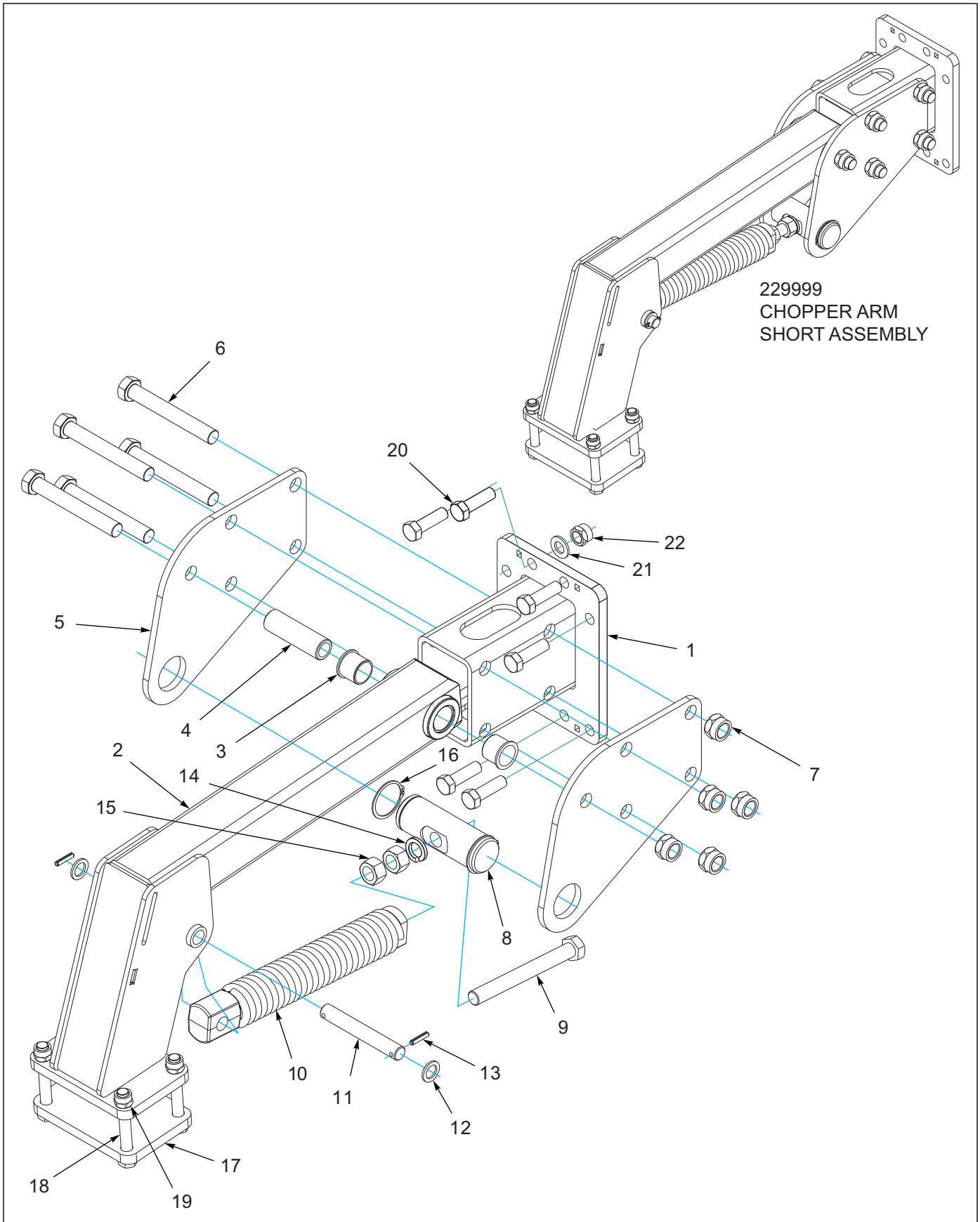


Figure 1-44: Std Chopper Arm Short Assembly

Std Chopper Arm Short Assembly

ITEM	PART NO.	DESCRIPTION	QTY.
--	229999	ASSY, CHOPPER ARM SHORT (INCLUDES ITEMS 1-19)	
1	229994	ARM, CHOPPER SHORT WLDMT	1
2	170851	ARM WLDMT REEL	1
3	140599	BEARING, FLANGE 1-1/2"	2
4	170852	BUSHING, PIVOT - 5	1
5	223473	PLATE, SPRING MOUNT	2
6	100856	SCREW,HHCS,1-8X7-1/2 GR5	5
7	1-512-010005-19	NUT 1-8 HEX SLF-LOCKING GRB	5
8	160199	PIN, ADJ 7-/14 W/SNAP RING	1
9	152210	BOLT, ADJ, 1 X 9	1
10	158795	SPRING ASSY, 17"	1
11	172526	PIN PIVOT	1
12	117957	MACHINERY BUSHING,ZINC PLATED	2
13	1-647-010004236	SPRING PIN,SLOTTED 5/16X1-1/2	2
14	1-861-010034-21	WASHER, LKG HEL SPRG 1IN	1
15	1-512-010007-14	NUT, HEX 1-8 GR2 ZP	2
16	158896	SNAP RING, 2-1/2 SHAFT	1
17	170862	PLATE, GANGBAR MOUNT	1
18	1-654-010087-16	SCREW,HEX CAP,3/4-16X5.50 GR8	5
19	1-512-010002-16	NUT,3/4-16 HEX,SLFLKG, GRC	5
20	104483	SCREW 3/4-10X2-1/2 HXCP ZPGR8	8
21	1-861-010032-20	WASHER, FLAT,3/4 N ZP/CD	8
22	1-512-010005-15	NUT,HEX,SLFLKG GRB 3/4-10	8

Hydraulic Chopper Reel Assemblies

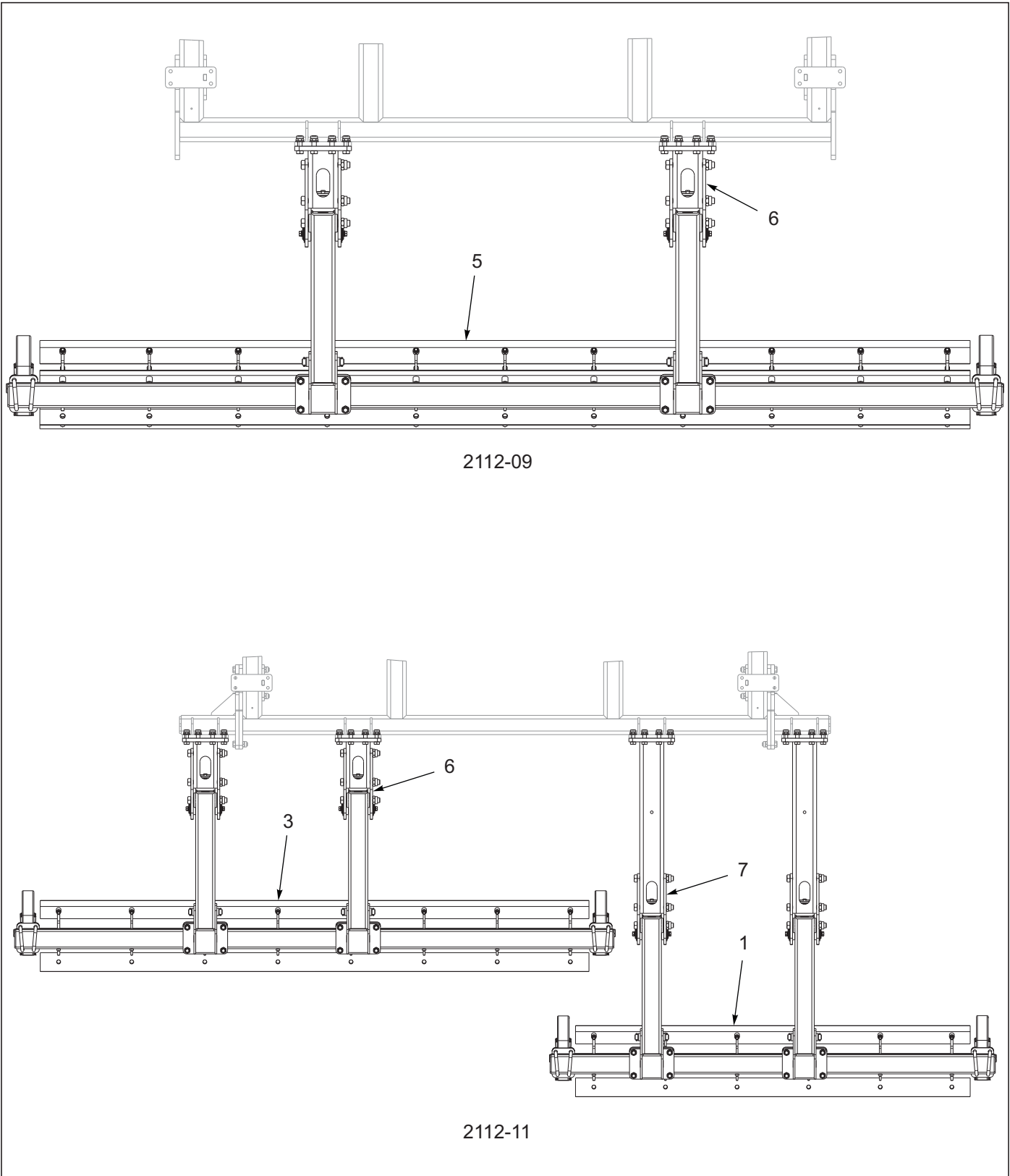


Figure 1-45: Hyd Chopper Reel Layout (1 of 2)

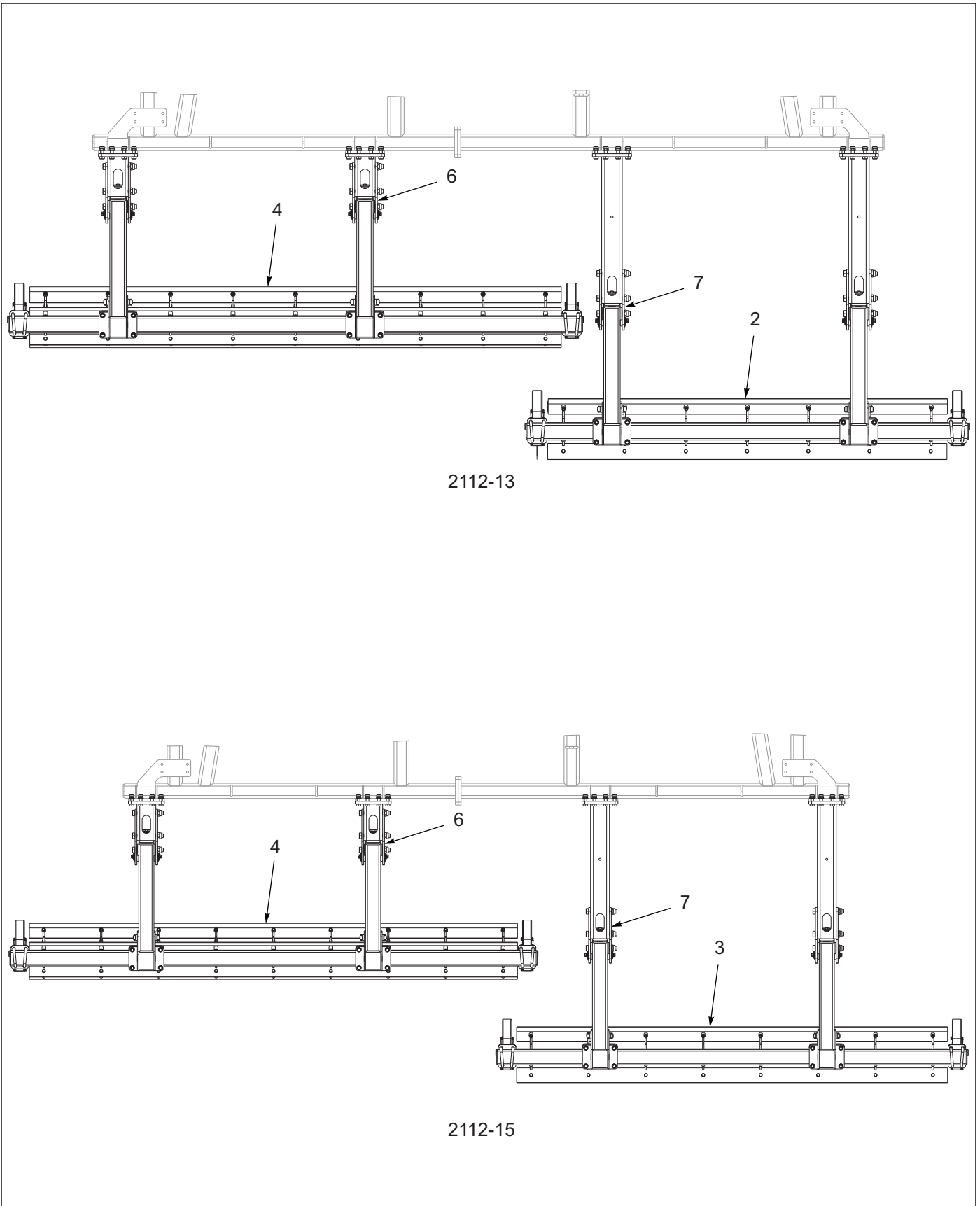


Figure 1-46: Hyd Chopper Reel Layout (2 of 2)

Hyd Chopper Reel Layout

ITEM	PART NO.	DESCRIPTION	QTY.			
--	231369	HYD, CHOPPER REEL 2112-09	*			
--	231370	HYD, CHOPPER REEL 2112-11		*		
--	231371	HYD, CHOPPER REEL 2112-13			*	
--	231372	HYD, CHOPPER REEL 2112-15				*
1	154407	REEL/GANGBAR ASSY 82" (SEE PAGE 1-93)	--	1	--	--
2	172529	REEL/GANGBAR - 97" ASSY (SEE PAGE 1-93)	--	--	1	--
3	154410	REEL/GANGBAR ASSY 114" (SEE PAGE 1-93)	--	1	--	1
4	155595	CHOPPER-REEL/GANGBAR ASSY 129" (SEE PAGE 1-93)	--	--	1	1
5	182380	REEL/GANGBAR ASSY 156" (SEE PAGE 1-93)	1	--	--	--
6	231367	ASSY, CHOPPER ARM LONG (SEE PAGE 1-89)	--	2	2	2
7	229999	ASSY, CHOPPER ARM SHORT (SEE PAGE 1-91)	2	2	2	2

ILLUSTRATED PARTS LIST

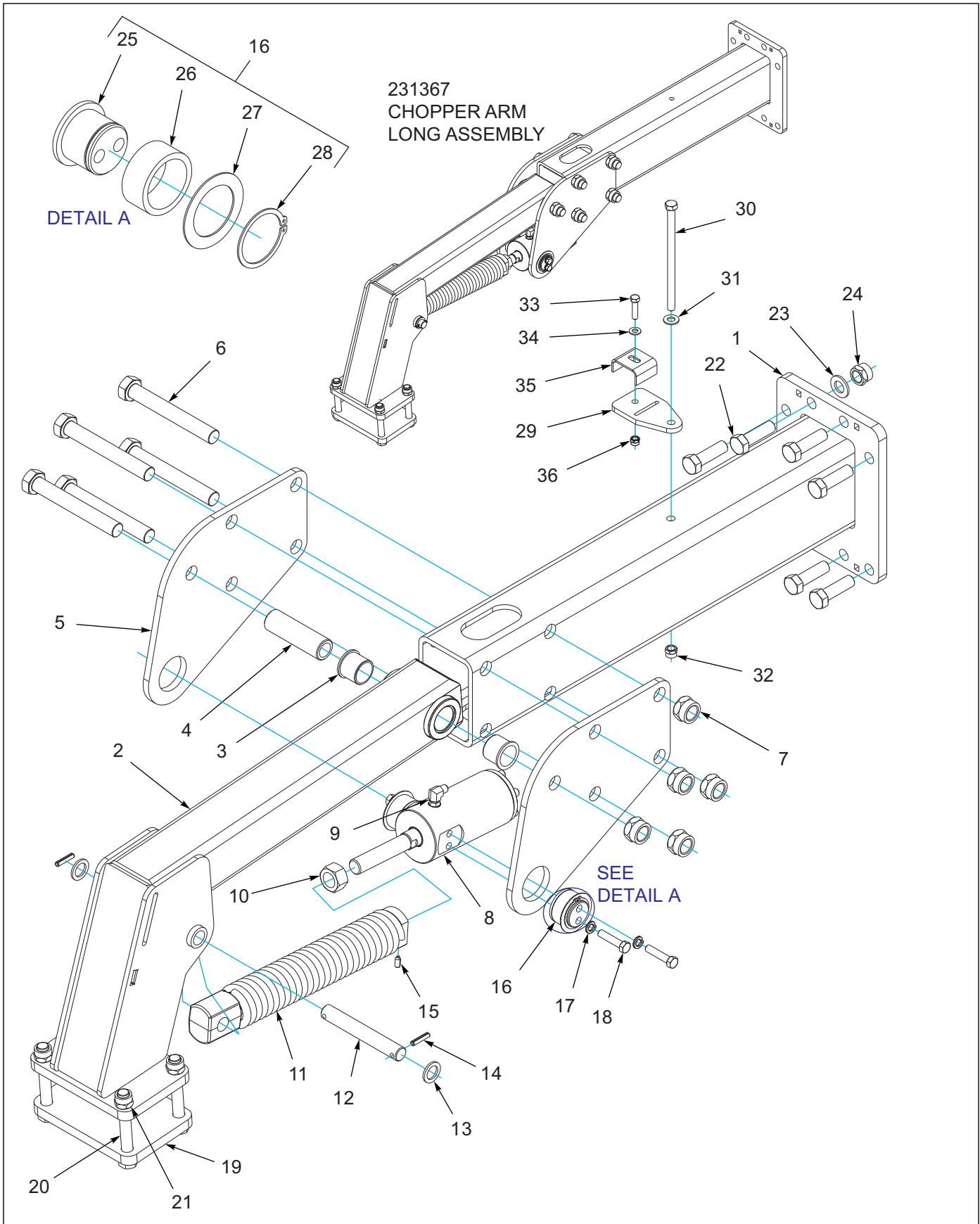


Figure 1-47: Hyd Chopper Arm Long Assembly

Hyd Chopper Arm Long Assembly

ITEM	PART NO.	DESCRIPTION	QTY.
--	231367	HYD ASSY, CHOPPER ARM LONG (INCLUDES ITEMS 1-21)	
1	229993	ARM, CHOPPER LONG WLDMT	1
2	170851	ARM WLDMT REEL	1
3	140599	BEARING, FLANGE 1-1/2"	2
4	170852	BUSHING, PIVOT - 5	1
5	223473	PLATE, SPRING MOUNT	2
6	100856	SCREW,HHCS,1-8X7-1/2 GR5	5
7	1-512-010005-19	NUT 1-8 HEX SLF-LOCKING GRB	5
8	206672	CYL ASM 2-1/2X3-1/2ST1-1/8THDS (SEE PAGE 1-44)	1
9	2062-6-6S	ADAPTER, 90, #6SAE X #6 JIC	1
10	206675	NUT, 1-1/8 -12 UNF, Z/P GR 2	1
11	206652	SPRING ASSY 17" 1-1/8 THD	1
12	172526	PIN PIVOT	1
13	117957	MACHINERY BUSHING,ZINC PLATED	2
14	1-647-010004236	SPRING PIN,SLOTTED 5/16X1-1/2	2
15	1P444	SET SCREW, 3/8-16 X 3/4 NYLON	1
16	198321	ASSY, TRUNION MOUNT 1-5/8" (INCLUDES ITEMS 25-28)	2
17	1-861-010034-13	WASHER, LKG HLCL SPR, 1/2	4
18	169690	SCREW HXCP1/2-13UNCX2-1/4 G5	4
19	170862	PLATE, GANGBAR MOUNT	1
20	1-654-010087-16	SCREW,HEX CAP,3/4-16X5.50 GR8	5
21	1-512-010002-16	NUT,3/4-16 HEX,SLFLKG, GRC	5
22	104483	SCREW 3/4-10X2-1/2 HXCP ZPGR8	8
23	1-861-010032-20	WASHER, FLAT,3/4 N ZP/CD	8
24	1-512-010005-15	NUT,HEX,SLFLKG GRB 3/4-10	8
25	188528	TRUNION, CYLINDER	1
26	188531	TRUNION, BEARING	1
27	109895	WASHER,3ODX2-1/16X14GA	1
28	188530	SNAP RING, 2 SHAFT	1
29	225198	PLATE, HOSE MOUNT	1
30	1-654-010055-22	SCREW HEX CAP 1/2-13X8-1/2	1
31	1-861-010032-14	WASHER, FLAT 1/2" N ZP/CD	1
32	1-512-010005-09	NUT,HEX,SLFLKG, 1/2-13 GRB	1
33	1-654-010051-07	SCREW,HEX CAP,3/8-16UNCX1-1/2	1
34	1-861-010032-10	WASHER, FLAT 3/8" N ZP/CD	1
35	2-181-010001	HOSE CLAMP	1
36	1-512-010005-05	NUT, HEX, SLFLKG GRB 3/8-16	1

ILLUSTRATED PARTS LIST

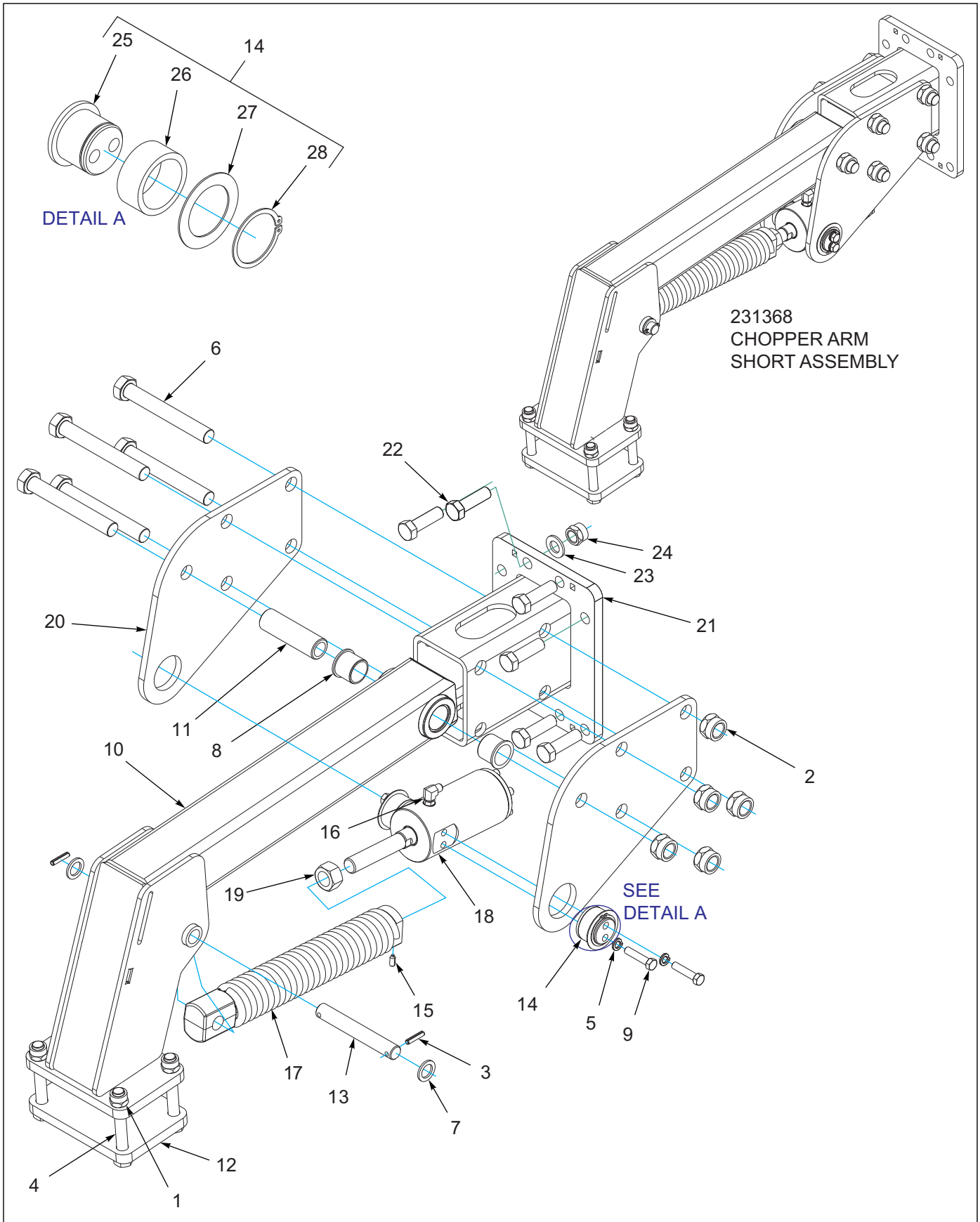


Figure 1-48: Hyd Chopper Arm Short Assembly

Hyd Chopper Arm Short Assembly

ITEM	PART NO.	DESCRIPTION	QTY.
--	231368	HYD ASSY, CHOPPER ARM SHORT (INCLUDES ITEMS 1-21)	
1	1-512-010002-16	NUT,3/4-16 HEX,SLFLKG, GRC	5
2	1-512-010005-19	NUT 1-8 HEX SLF-LOCKING GRB	5
3	1-647-010004236	SPRING PIN,SLOTTED 5/16X1-1/2	2
4	1-654-010087-16	SCREW,HEX CAP,3/4-16X5.50 GR8	5
5	1-861-010034-13	WASHER, LKG HLCL SPR, 1/2	4
6	100856	SCREW,HHCS,1-8X7-1/2 GR5	5
7	117957	MACHINERY BUSHING,ZINC PLATED	2
8	140599	BEARING, FLANGE 1-1/2"	2
9	169690	SCREW HXCP1/2-13UNCX2-1/4 G5	4
10	170851	ARM WLDMT REEL	1
11	170852	BUSHING, PIVOT - 5	1
12	170862	PLATE, GANGBAR MOUNT	1
13	172526	PIN PIVOT	1
14	198321	ASSY, TRUNION MOUNT 1-5/8" (INCLUDES ITEMS 25-28)	2
15	1P444	SET SCREW, 3/8-16 X 3/4 NYLON	1
16	2062-6-6S	ADAPTER, 90, #6SAE X #6 JIC	1
17	206652	SPRING ASSY 17" 1-1/8 THD	1
18	206672	CYL ASM 2-1/2X3-1/2ST1-1/8THDS (SEE PAGE 1-44)	1
19	206675	NUT, 1-1/8 -12 UNF, Z/P GR 2	1
20	223473	PLATE, SPRING MOUNT	2
21	229994	ARM, CHOPPER SHORT WLDMT	1
22	104483	SCREW 3/4-10X2-1/2 HXCP ZPGR8	8
23	1-861-010032-20	WASHER, FLAT,3/4 N ZP/CD	8
24	1-512-010005-15	NUT,HEX,SLFLKG GRB 3/4-10	8
25	188528	TRUNION, CYLINDER	1
26	188531	TRUNION, BEARING	1
27	109895	WASHER,3ODX2-1/16X14GA	1
28	188530	SNAP RING, 2 SHAFT	1

ILLUSTRATED PARTS LIST

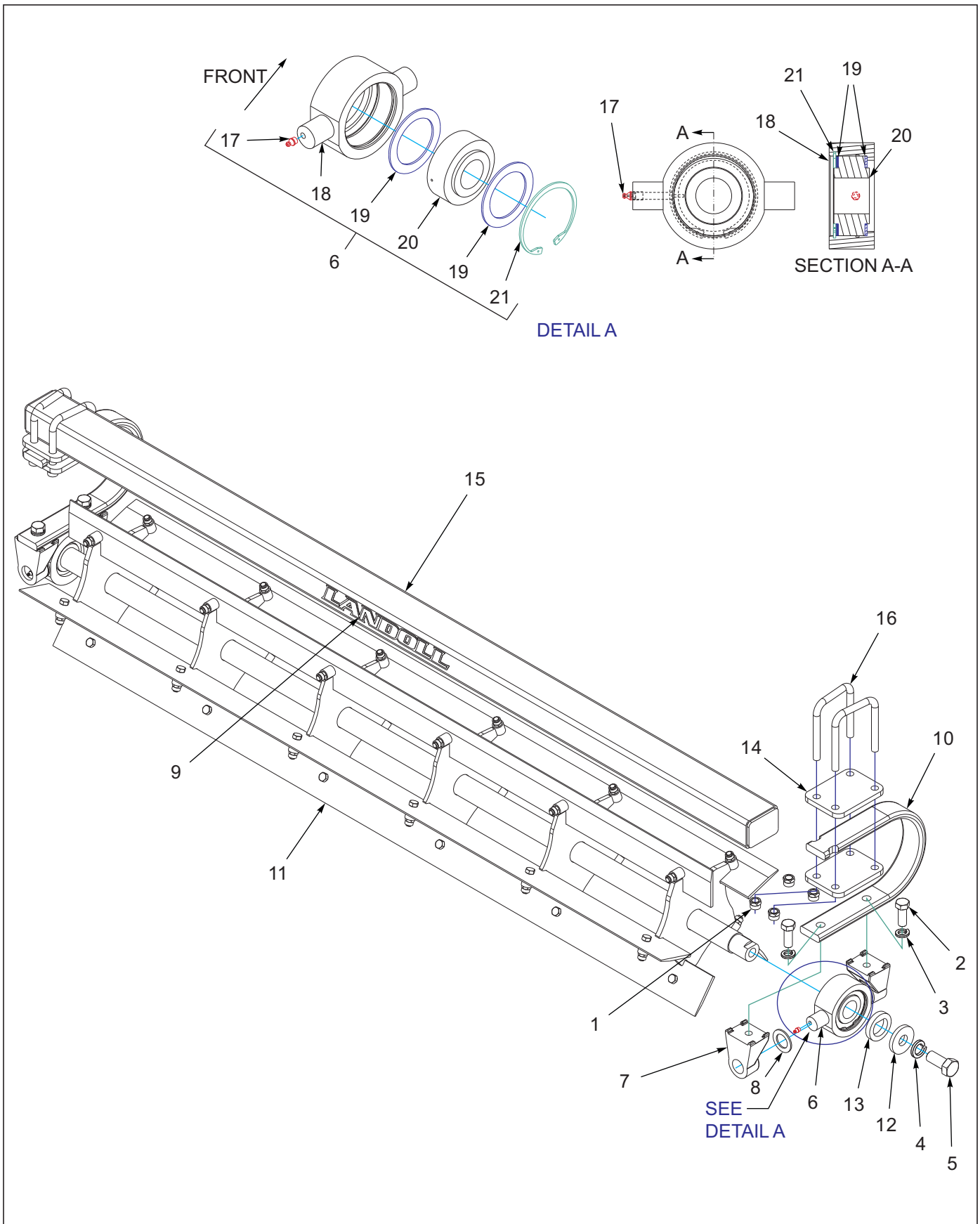


Figure 1-49: Reel/Gangbar Assembly

Reel/Gangbar Assembly

ITEM	PART NO.	DESCRIPTION	QTY.				
--	154407	REEL/GANGBAR ASSY 82"	*				
--	172529	REEL/GANGBAR - 97" ASSY	*				
--	154410	REEL/GANGBAR ASSY 114"	*				
--	155595	CHOPPER-REEL/GANGBAR ASSY 129"	*				
--	182380	REEL/GANGBAR ASSY 156"	*				
1	1-512-010005-13	NUT,HEX SLFLKG GRB 5/8-11	8	8	8	8	8
2	1-654-010032-05	SCREW HEX CAP 3/4-10X2 GR8	4	4	4	4	4
3	1-861-010034-17	WASHER,LKG,HLCL SPR,3/4	4	4	4	4	4
4	1-861-010034-21	WASHER, LKG HEL SPRG 1IN	2	2	2	2	2
5	137943	SCREW,HEX CAP 1-8UNCX2-1/4GR5	2	2	2	2	2
6	140477	BEARING, DISC 1.775 ID ASSY (INCLUDES ITEMS 17-21)	2	2	2	2	2
7	140479	MOUNT, TRUNNION	4	4	4	4	4
8	140480	WASHER, TRUNNION	2	2	2	2	2
9	148337	ATTACHMENT DECAL, LANDOLL	1	1	1	1	2
10	153716	SHANK, STRAIGHT 3/4 X 2-1/2	2	2	2	2	2
11	154181	REEL ASSY, 82" BLADE	1	--	--	--	--
11	172528	REEL ASSY 97" BLADE	--	1	--	--	--
11	154182	REEL ASSY, 114" BLADE	--	--	1	--	--
11	155592	REEL ASSY 129" BLADE	--	--	--	1	--
11	182381	REEL ASSY 156" BLADE	--	--	--	--	1
12	154185	WASHER 3/8 THICK 1" ID	2	2	2	2	2
13	154186	WASHER FLAT TOP	2	2	2	2	2
14	154393	PLATE SHANK MOUNT	4	4	4	4	4
15	154656	GANGBAR,92" REEL 82" WLDMT	1	--	--	--	--
15	155544	GANGBAR WLDMT 107" REEL 97"	--	1	--	--	--
15	154659	GANGBAR, 124" REEL 114" WLDMT	--	--	1	--	--
15	155594	GANGBAR, 139" REEL 129" WLDMT	--	--	--	1	--
15	165226	GANGBAR, 166" REEL 156" WLDMT	--	--	--	--	1
16	6-102-010009	U-BOLT RIGID GA WHEEL	4	4	4	4	4
17	5000	ZERK FITTING 1/8NPT	1	1	1	1	1
18	140475	CASTING, TRUNNION	1	1	1	1	1
19	140473	WASHER, BEARING	2	2	2	2	2
20	140464	BEARING, DISC 1.775 ID	1	1	1	1	1
21	140476	INTERNAL RETAINING RING	1	1	1	1	1

ILLUSTRATED PARTS LIST

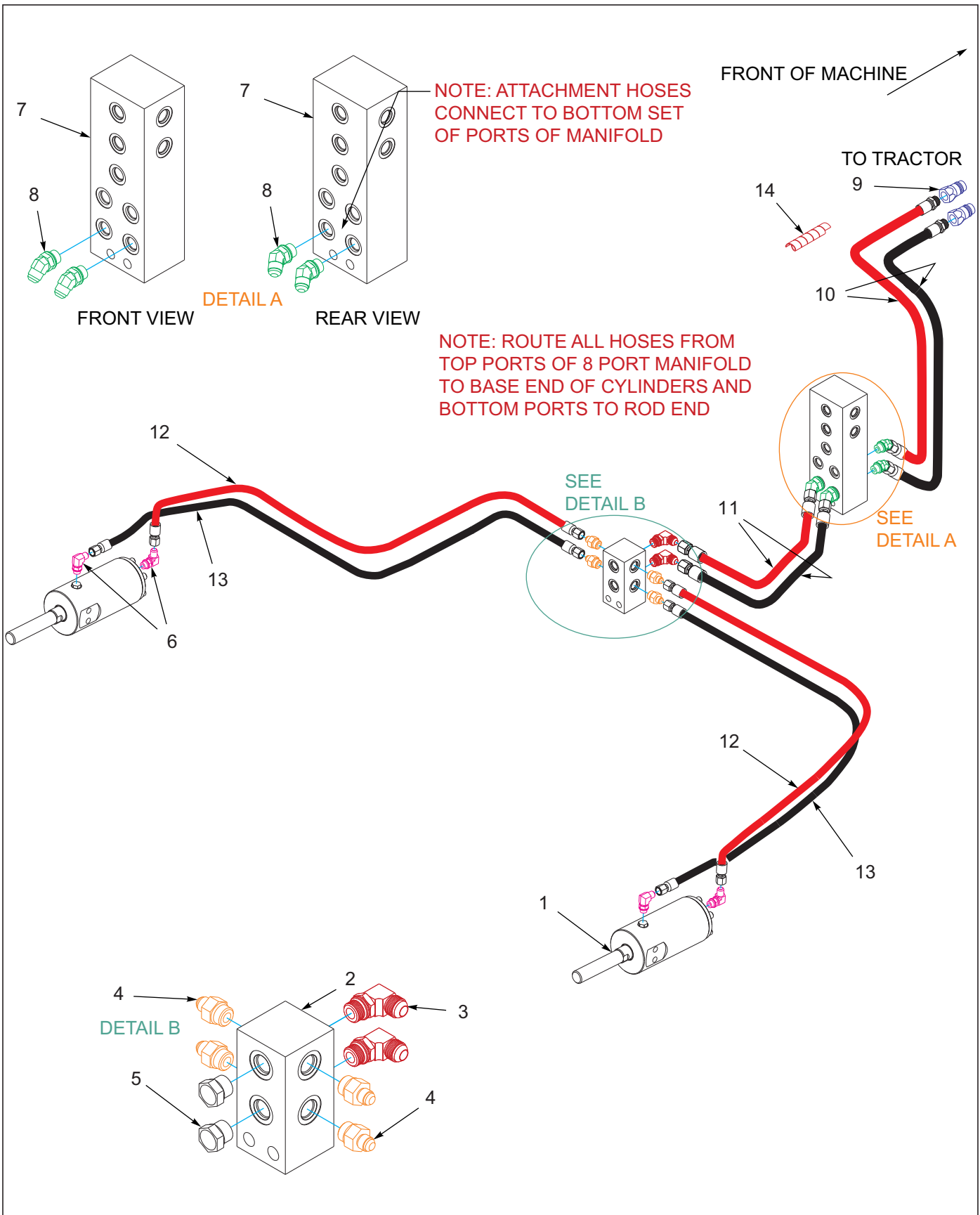


Figure 1-50: Chopper Reel Hydraulic Assembly 2112-09

Chopper Reel Hydraulic Assembly 2112-09

ITEM	PART NO.	DESCRIPTION	QTY.
1	206672	CYL ASM 2-1/2X3-1/2ST1-1/8THDS (SEE PAGE 1-44)	6
2	2-474-010022	MANIFOLD HYDRAULIC, 8 HOSE	1
3	2062-8-8S	ADAPTER, 90, #8 O-RING-TUBE	2
4	202702-8-6S	ADAPTER #8 O-RING TO #6 TUBE	6
5	1-007-010025	PLUG, 3/4-16 O-RING BOSS	2
6	2062-6-6S	ADAPTER, 90, #6SAE X #6 JIC	12
7	228277	MANIFOLD, FRONT 2112 ASSY	1
8	2061-8-8S	ADAPTER, 45, #8 O-RING-TUBE	2
9	141828	COUPLER,MALE 3/4-16 O-RING	2
10	141861	HOSE ASSY 3/8X196 #8JICX8OR	2
11	116437	HOSE ASSY, 3/8X267 #8 JIC SW	2
12	227697	HOSE ASSY, 1/4X51 #6 JIC STR	2
13	173013	HOSE ASSY 1/4 X 57 #6 JIC STR	2
14	172973	HOSE WRAP, RED	2

ILLUSTRATED PARTS LIST

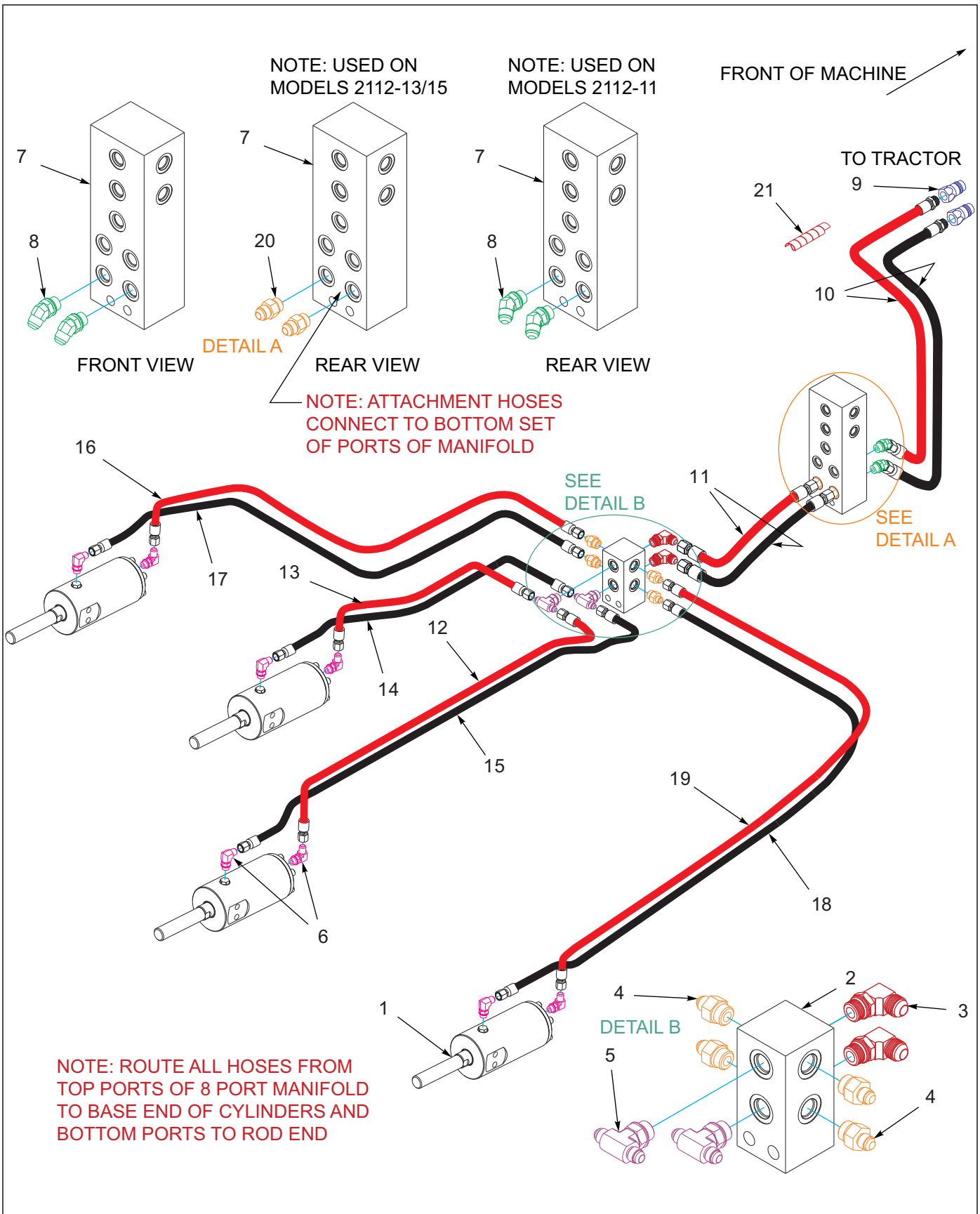


Figure 1-51: Chopper Reel Hydraulic Assembly 2112-11-13-15

Chopper Reel Hydraulic Assembly 2112-11-13-15

ITEM	PART NO.	DESCRIPTION	QTY.
1	206672	CYL ASM 2-1/2X3-1/2ST1-1/8THDS (SEE PAGE 1-44)	6
2	2-474-010022	MANIFOLD HYDRAULIC, 8 HOSE	1
3	2062-8-8S	ADAPTER, 90, #8 O-RING-TUBE	2
4	202702-8-6S	ADAPTER #8 O-RING TO #6 TUBE	6
5	139347	ADT TEE #6 JIC X #8 O-RING	2
6	2062-6-6S	ADAPTER, 90, #6SAE X #6 JIC	8
7	228277	MANIFOLD, FRONT 2112 ASSY	1
8	2061-8-8S	ADAPTER, 45, #8 O-RING-TUBE	2
9	141828	COUPLER,MALE 3/4-16 O-RING	2
10	141861	HOSE ASSY 3/8X196 #8JICX8OR	2
11	116437	HOSE ASSY, 3/8X267 #8 JIC SW	2
12	172998	HOSE ASSY, 1/4 X 75 #6 JIC STR	1
13	227697	HOSE ASSY, 1/4X51 #6 JIC STR	1
14	173013	HOSE ASSY 1/4 X 57 #6 JIC STR	1
15	71509006	HOSE ASM 1/4 X 80	1
16	7779-84	HOSE HYD 1/4 X 84 (2112-11)	1
16	227699	HOSE ASSY, 1/4X112 #6 JIC STR (2112-13-15)	1
17	7779-90	HOSE HYD 1/4 X 90 (2112-11)	1
17	43030	HOSE,#6STJICX#6STJICX#6-118.5 (2112-13-15)	1
18	227699	HOSE ASSY, 1/4X112 #6 JIC STR (2112-11)	1
18	225086	HOSE ASSY, 1/4X140#6 JIC STR (2112-13-15)	1
19	228265	HOSE ASSY, 1/4X105#6JIC STR (2112-11)	1
19	228266	HOSE ASSY, 1/4X134#6JIC STR (2112-13-15)	1
20	202702-8-8S	ADAPTER #8 O-RING TO #8 TUBE	2
21	172973	HOSE WRAP, RED	2

Rear Tow Hitch

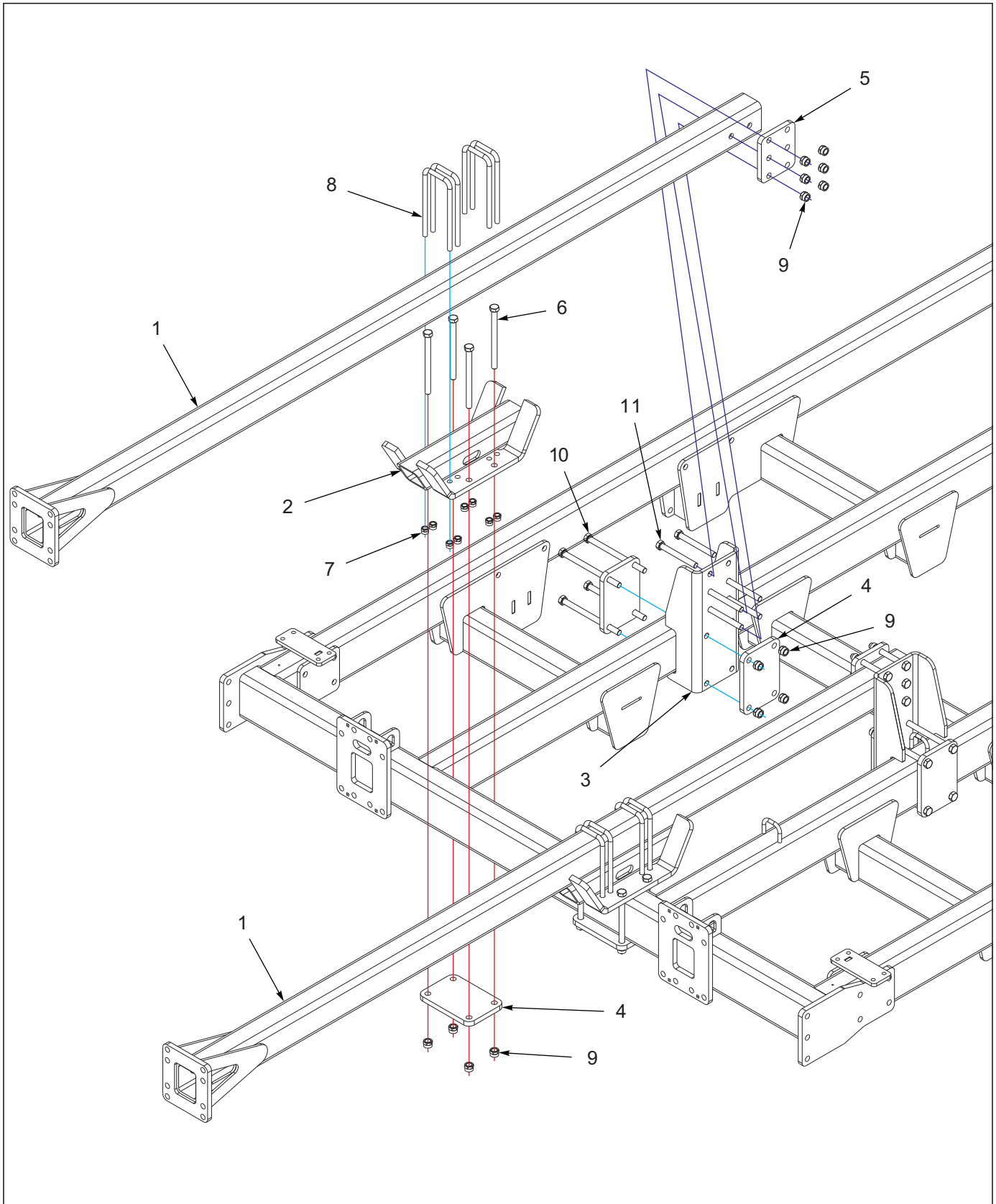


Figure 1-52: Rear Tow Hitch Assembly (1 of 2)

Rear Tow Hitch Assembly (1 of 2)

ITEM	PART NO.	DESCRIPTION	QTY.	
--	231360	ASSY, SHORT REAR TOW, HYD 2100	*	
--	231362	ASSY, LONG REAR TOW, HYD 2100		*
1	231358	HITCH TUBE, SHORT WLDMT (SHOWN)	2	--
1	231348	HITCH TUBE, LONG WLDMT	--	2
2	231357	MOUNT, HITCH WLDMT	2	2
3	231349	PLATE, CLAMP TOW HITCH	2	2
4	231355	PLATE, HITCH	6	6
5	231356	PLATE, CLAMP	2	2
6	3/4-10X9-1/2CS8	SCREW,CAP HEX HEAD GR8	8	8
7	1-512-010005-13	NUT,HEX SLFLKG GRB 5/8-11	16	16
8	158841	U-BOLT,5/8X4-11/16X10-3/4	8	8
9	1-512-010005-15	NUT,HEX,SLFLKG GRB 3/4-10	28	28
10	126235	SCREW HEX 3/4-10UNCX10-1/2GR5	8	8
11	120876	SCREW,HEXCAP,3/4-10X6-1/2 GR8	8	8

ILLUSTRATED PARTS LIST

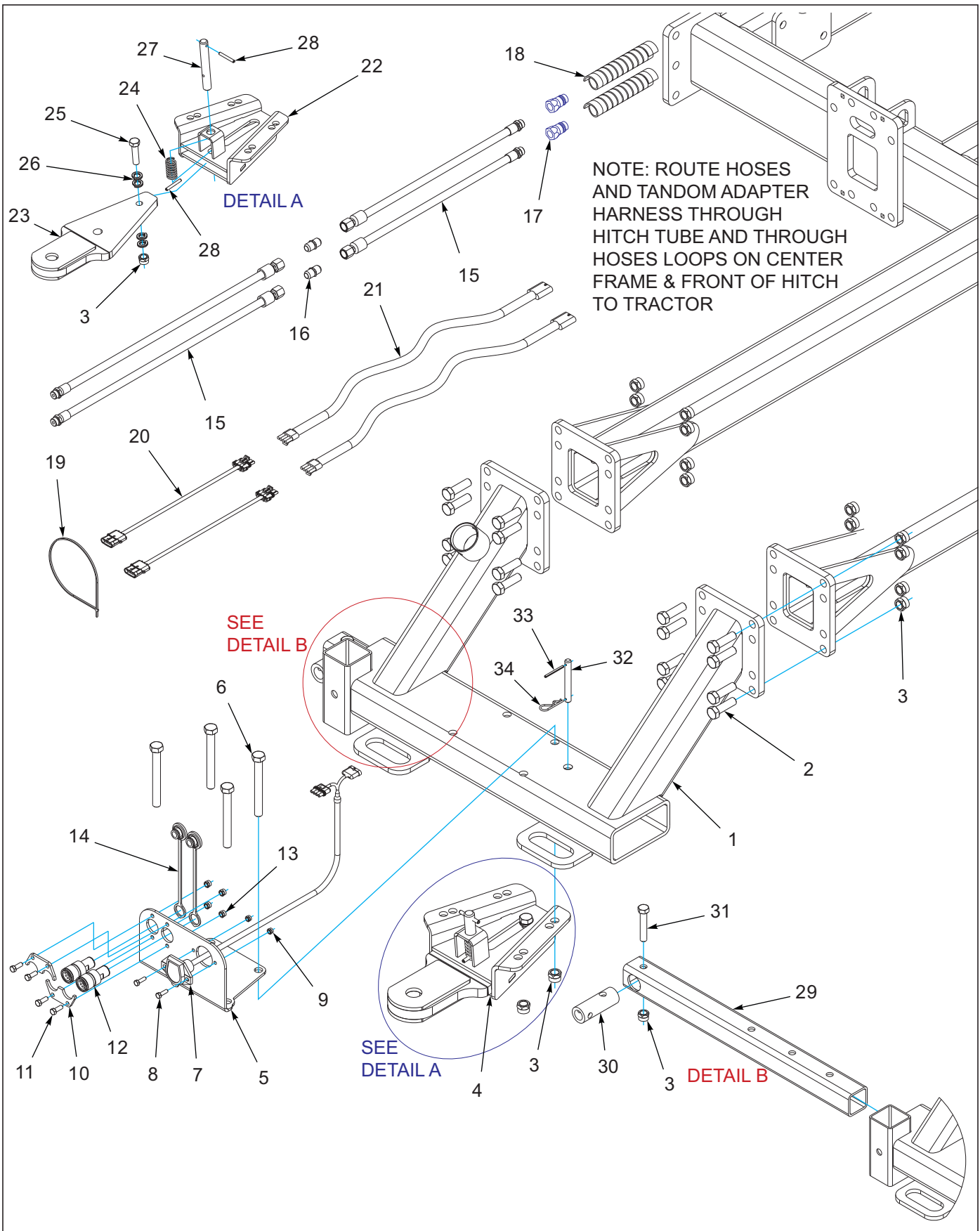


Figure 1-53: Rear Tow Hitch Assembly (2 of 2)

Rear Tow Hitch Assembly (2 of 2)

ITEM	PART NO.	DESCRIPTION	QTY.
1	231337	HITCH, REAR WLDMT	1
2	104483	SCREW 3/4-10X2-1/2 HXCP ZPGR8	16
3	1-512-010005-15	NUT,HEX,SLFLKG GRB 3/4-10	15
4	197742	HITCH ASSY, REAR TOW (INCLUDES ITEMS 3, 22-28)	1
5	231353	MOUNT, HITCH HYD	1
6	120876	SCREW,HEXCAP,3/4-10X6-1/2 GR8	4
7	143871	HARNESS, TANDEM ADAPTER	1
8	1-654-010049-05	SCREW HX CP 5/16-18UNCX1 GR5	2
9	1-512-010005-03	NUT HEX SLFLKG GRB 5/16-18	2
10	212826	MOUNT, COUPLERS	2
11	1-654-010051-05	SCREW,HEX CAP 3/8-16UNCX1 GR5	4
12	142668	COUPLER FEMALE 3/4-16 O-RING	2
13	1-512-010005-05	NUT, HEX, SLFLKG GRB 3/8-16	4
14	142669	PLUG, COUPLER DUST	2
15	165335	HOSE ASY3/8X290 #8JICX#8 O/R (USED WITH 231360 SHORT REAR TOW HITCH ASSEMBLY)	4
15	211320	HOSE ASSY,3/8 X 300,8FJSX8MOR (USED WITH 231362 LONG REAR TOW HITCH ASSEMBLY)	4
16	148338	FITTING, UNION SAE 37 8X8	2
17	141828	COUPLER,MALE 3/4-16 O-RING	2
18	155530	HOSE WRAP, BLACK 1" ID X 8"	2
19	105874	TIE,STRAP PLSTC 21.5-24X.301	10
20	166299	HARNESS, 96 INCH EXT	2
21	2-368-010273	HARNESS, 34 INCH EXT	2
22	197743	MOUNT WLDMT REAR TOW HITCH	1
23	197746	HITCH WLDMT, REAR TOW RIGID	1
24	162191	SPRING, COMP 1.218 X 2.5	1
25	1-654-010061-09	SCREW HX CP 3/4-10UNCX3 GR5	1
26	1-861-010034-17	WASHER,LKG,HLCL SPR,3/4	4
27	168773	PIN REAR TOW HITCH	1
28	1-647-010004240	PIN,SPRING,SLOTTED,5/16X2-1/2	2
29	212827	TUBE, REAR JACK	1
30	156957	TUBE JACK MOUNT	1
31	1-654-010061-13	SCREW,HX CP 3/4-10UNCX4 GR5	1
32	2-557-010409	PIN, WING LOCK	1
33	0600-250-03000	1/4X3 ROLL PIN ZP	1
34	1-557-010013	PIN, HAIR 3/16 DIA	1

Numerics

0600-250-03000	1-101	124971	1-27
1-007-010025	1-35, 1-37, 1-73, 1-95	125872	1-35
100808	1-15	126235	1-99
100825	1-15	1-298-010001-1	1-16, 1-18
100827	1-31	130052	1-7
100856 1-57, 1-59, 1-65, 1-69, 1-81, 1-83, 1-89, 1-91		135912	1-38
100941	1-3	137304	1-38
102209	1-3	137931	1-18
102498	1-21	137943	1-93
102600	1-7, 1-9, 1-21	139139	1-18
102604	1-21	139347	1-75, 1-97
104358	1-3, 1-5	1-397-010301030	1-35
104483 . 1-3, 1-5, 1-57, 1-59, 1-65, 1-69, 1-81, 1-83, 1-89, 1-91, 1-101		1-397-010369036	1-37
105874	1-47, 1-101	1-397-010369054	1-37
108628	1-10	140464	1-28, 1-93
109895	1-59, 1-65, 1-69, 1-89, 1-91	140469	1-27
111392	1-5	140473	1-28, 1-93
111789	1-38, 1-40, 1-42	140475	1-28, 1-93
111871	1-42	140476	1-28, 1-93
111962	1-21	140477	1-27, 1-93
114616	1-13	140479	1-27, 1-93
114911	1-23, 1-25	140480	1-27, 1-93
114987	1-23	140483	1-27
116437	1-73, 1-75, 1-95, 1-97	140484	1-27
116490	1-37	140487	1-27
116491	1-35	140519	1-7, 1-9
116492	1-35, 1-37	140533	1-3, 1-5
117916	1-35	140599 1-15, 1-57, 1-59, 1-65, 1-69, 1-81, 1-83, 1-89, 1-91	
117957 1-57, 1-59, 1-65, 1-69, 1-81, 1-83, 1-89, 1-91		140647	1-13, 1-17
120876	1-99, 1-101	141154	1-27
122709	1-31	141209	1-7, 1-9
122726	1-23, 1-25	141234	1-7, 1-9
122917	1-10	141249	1-13
		141250	1-17

TABLE OF CONTENTS

INDEX

141251	1-23	145179	1-27
141259	1-51	145196	1-31
141260	1-51	145199	1-27
141269	1-31	145201	1-31, 1-37, 1-40
141301	1-40, 1-42	145201M	1-31, 1-37, 1-41
141826	1-37	145202	1-31, 1-37, 1-42
141828	1-35, 1-37, 1-73, 1-75, 1-95, 1-97, 1-101	145202M	1-31, 1-37, 1-43
141861	1-37, 1-73, 1-75, 1-95, 1-97	145208	1-27, 1-33
141881	1-35	145209	1-27, 1-33
142109	1-40	145210	1-27, 1-33
142110	1-40, 1-42	145211	1-27, 1-33
142112	1-40, 1-42	145212	1-27, 1-33
142114	1-40	145213	1-27, 1-33
142116	1-42	145214	1-27, 1-33
142119	1-38	145217	1-27, 1-33
142120	1-38	145218	1-27, 1-33
142194	1-17	145231	1-27, 1-33
1422176	1-37	145232	1-27, 1-33
142668	1-101	145233	1-27, 1-33
142669	1-101	145234	1-27, 1-33
142753	1-3, 1-5	145236	1-27, 1-33
143853	1-35	146733	1-5
143871	1-101	146828	1-3, 1-5
143994	1-40, 1-42	147070	1-3, 1-5
144048	1-10	147745	1-40
144115	1-13, 1-15, 1-31	147748	1-42
144193	1-51	148337	1-93
144322	1-7, 1-9, 1-35, 1-38	148338	1-101
144449	1-23, 1-31	150244	1-25
144451	1-23	150266	1-31
144457	1-23, 1-31	1-510-010003-09	1-71
144458	1-23, 1-25	1-512-010002-16	1-57, 1-59, 1-65, 1-69, 1-81, 1-83, 1-89, 1-91
144461	1-23	1-512-010005-01	1-3, 1-5, 1-13, 1-47
144493	1-13, 1-15	1-512-010005-03	1-7, 1-9, 1-101
144522	1-27	1-512-010005-05	1-7, 1-9, 1-13, 1-89, 1-101
144533	1-27	1-512-010005-09	1-3, 1-5, 1-7, 1-9, 1-27, 1-31, 1-47, 1-57, 1-59, 1-65, 1-69, 1-71, 1-89
144536	1-27		
145173	1-23		

1-512-010005-13	<i>1-3, 1-5, 1-7, 1-9, 1-25, 1-93, 1-99</i>	1-557-010362-51	1-21
1-512-010005-15	<i>1-3, 1-5, 1-7, 1-9, 1-13, 1-23, 1-25, 1-27, 1-57, 1-59, 1-65, 1-69, 1-81, 1-83, 1-89, 1-91, 1-99, 1-101</i>	1-557-010403	1-3, 1-5
1-512-010005-19	<i>1-13, 1-15, 1-23, 1-31, 1-57, 1-59, 1-65, 1-69, 1-81, 1-83, 1-89, 1-91</i>	155927	1-71
1-512-010007-07	1-13	155956	1-71
1-512-010007-14	<i>1-57, 1-59, 1-81, 1-83</i>	155971	1-71
1-512-010007-16	1-15	156010	1-51
1-516-010001-20	1-21	156383	1-31
152210	<i>1-57, 1-59, 1-81, 1-83</i>	156778	1-71
152251	1-27	156950	1-13
153631	<i>1-23, 1-25</i>	156957	1-101
153696	1-13	156973	1-21
153716	1-93	156979	1-21
154104	1-38	157011	1-31
154181	1-93	157012	1-31
154182	1-93	1-573-010006	1-51
154185	1-93	158279	1-31
154186	1-93	158299	<i>1-57, 1-59, 1-65, 1-69</i>
154393	1-93	158795	<i>1-57, 1-59, 1-81, 1-83</i>
154407	<i>1-54, 1-62, 1-78, 1-86, 1-93</i>	158841	1-99
154410	<i>1-54, 1-62, 1-78, 1-86, 1-93</i>	158896	<i>1-57, 1-59, 1-81, 1-83</i>
154656	1-93	160199	<i>1-57, 1-59, 1-81, 1-83</i>
154659	1-93	162191	1-101
154993	1-71	1-630-010021-03	1-10
154994	1-71	164138	1-47
154995	1-71	164139	1-47
154997	1-71	164140	1-47
154998	1-71	164142	1-3, 1-5
155005	1-71	164563	1-9
155523	1-51	1-647-010004221	<i>1-18, 1-41, 1-43</i>
155528	1-35	1-647-010004236	<i>1-57, 1-59, 1-65, 1-69, 1-81, 1-83, 1-89, 1-91</i>
155530	<i>1-37, 1-101</i>	1-647-010004240	<i>1-57, 1-59, 1-65, 1-69, 1-101</i>
155544	1-93	1-647-010004257	1-27
155592	1-93	165257	1-7, 1-9
155594	1-93	165258	1-10
155595	<i>1-54, 1-62, 1-78, 1-86, 1-93</i>	165259	1-10
1-557-010013	<i>1-57, 1-59, 1-65, 1-69, 1-101</i>	165260	1-10
		165265	1-7, 1-9

TABLE OF CONTENTS

INDEX

165335	1-101	168773	1-101
1-654-010032-05	1-93	168859	1-21
1-654-010032-09	1-27	169690	1-65, 1-69, 1-89, 1-91
1-654-010047-06	1-3, 1-5, 1-13, 1-47	169727	1-7, 1-9
1-654-010047-08	1-47	170735	1-71
1-654-010049-05	1-101	170787	1-57, 1-59, 1-65, 1-69
1-654-010051-05	1-101	170844	1-57, 1-59, 1-65, 1-69
1-654-010051-06	1-7, 1-9	170851	1-57, 1-59, 1-65, 1-69, 1-81, 1-83, 1-89, 1-91
1-654-010051-07	1-65, 1-89	170852	1-57, 1-59, 1-65, 1-69, 1-81, 1-83, 1-89, 1-91
1-654-010051-13	1-13	170857	1-57, 1-59, 1-65, 1-69
1-654-010055-07	1-47	170862	1-57, 1-59, 1-65, 1-69, 1-81, 1-83, 1-89, 1-91
1-654-010055-09	1-71	170864	1-54, 1-62, 1-71
1-654-010055-11	1-3, 1-5	170865	1-54, 1-62, 1-71
1-654-010055-13	1-3, 1-5	170870	1-71
1-654-010055-14	1-47, 1-71	171024	1-7, 1-9
1-654-010055-15	1-7, 1-9, 1-31, 1-57, 1-59, 1-65, 1-69	171070	1-7
1-654-010055-19	1-47	171079	1-44
1-654-010055-22	1-57, 1-65, 1-89	171080	1-44
1-654-010059-07	1-7, 1-9	171081	1-44
1-654-010059-15	1-7	171394	1-57, 1-65
1-654-010059-17	1-3, 1-5	171421	1-71
1-654-010061-05	1-7, 1-9, 1-13	171427	1-57, 1-59, 1-65, 1-69
1-654-010061-09	1-101	171556	1-7, 1-9
1-654-010061-13	1-23, 1-25, 1-101	172477	1-54, 1-62, 1-71
1-654-010061-15	1-23	172526	1-57, 1-59, 1-65, 1-69, 1-81, 1-83, 1-89, 1-91
1-654-010061-16	1-9	172528	1-93
1-654-010070-02	1-71	172529	1-54, 1-62, 1-78, 1-86, 1-93
1-654-010070-04	1-27	172900	1-47
1-654-010070-11	1-71	172973	1-73, 1-75, 1-95, 1-97
1-654-010070-13	1-71	172982	1-23, 1-25
1-654-010070-14	1-71	172998	1-97
1-654-010087-16	1-57, 1-59, 1-65, 1-69, 1-81, 1-83, 1-89, 1-91	173013	1-95, 1-97
1-654-010125-22	1-13	174404	1-13
166299	1-101	174435	1-47
166717	1-10	174436	1-47
167646	1-25	174437	1-47
		174438	1-47
		174439	1-47

<p>174708 1-10</p> <p>174709 1-10</p> <p>174732 1-3, 1-5, 1-23, 1-25</p> <p>174740 1-3, 1-5, 1-23</p> <p>174741 1-23</p> <p>174749 1-3, 1-5, 1-23, 1-25</p> <p>174772 1-25</p> <p>174786 1-3, 1-5, 1-23</p> <p>177027 1-23, 1-25</p> <p>177032 1-13, 1-16</p> <p>177398 1-13</p> <p>179763 1-13</p> <p>181799 1-37</p> <p>182380 1-54, 1-62, 1-78, 1-86</p> <p>184780 1-15</p> <p>185767 1-44</p> <p>1-861-010005 1-21</p> <p>1-861-010032-07 1-3, 1-5</p> <p>1-861-010032-10 1-13, 1-66, 1-89</p> <p>1-861-010032-14 1-47, 1-57, 1-65, 1-89</p> <p>1-861-010032-15 1-71</p> <p>1-861-010032-18 1-25</p> <p>1-861-010032-20 1-27, 1-57, 1-59, 1-65, 1-69, 1-81, 1-83, 1-89, 1-91</p> <p>1-861-010032-21 1-13</p> <p>1-861-010032-24 1-13</p> <p>1-861-010032-32 1-57, 1-59, 1-65, 1-69</p> <p>1-861-010034-13 1-65, 1-69, 1-89, 1-91</p> <p>1-861-010034-17 1-27, 1-93, 1-101</p> <p>1-861-010034-21 1-57, 1-59, 1-81, 1-83, 1-93</p> <p>187181 1-18</p> <p>187182 1-18</p> <p>188528 1-59, 1-65, 1-69, 1-89, 1-91</p> <p>188530 1-59, 1-65, 1-69, 1-89, 1-91</p> <p>188531 1-59, 1-65, 1-69, 1-89, 1-91</p> <p>189451 1-13, 1-16</p> <p>189453 1-16</p> <p>189454 1-16</p>	<p>189467 1-16</p> <p>189468 1-16</p> <p>192890 1-28, 1-31</p> <p>193089 1-21</p> <p>194115 1-35</p> <p>195241 1-71</p> <p>195243 1-71</p> <p>195244 1-71</p> <p>195274 1-71</p> <p>196754 1-13</p> <p>197742 1-101</p> <p>197743 1-101</p> <p>197746 1-101</p> <p>198321 1-65, 1-69, 1-89, 1-91</p> <p>198351 1-9</p> <p>1P444 1-65, 1-69, 1-89, 1-91</p> <p>201496 1-23, 1-25</p> <p>202331 1-71</p> <p>202332 1-71</p> <p>202567 1-54, 1-62, 1-71</p> <p>202702-8-6S 1-73, 1-75, 1-95, 1-97</p> <p>202702-8-8S 1-75, 1-97</p> <p>203467 1-7, 1-9, 1-35</p> <p>2061-8-8S 1-35, 1-37, 1-73, 1-75, 1-95, 1-97</p> <p>206209-8-8S 1-35, 1-37</p> <p>2062-10-8S 1-35</p> <p>2062-6-6S . 1-65, 1-69, 1-73, 1-75, 1-89, 1-91, 1-95, 1-97</p> <p>2062-8-8S 1-35, 1-37, 1-73, 1-75, 1-95, 1-97</p> <p>206652 1-65, 1-69, 1-89, 1-91</p> <p>206672 1-44, 1-65, 1-69, 1-73, 1-75, 1-89, 1-91, 1-95, 1-97</p> <p>206674 1-44</p> <p>206675 1-65, 1-69, 1-89, 1-91</p> <p>207142 1-23, 1-51</p> <p>209436 1-35</p> <p>211320 1-101</p> <p>211328 1-35</p>
---	---

TABLE OF CONTENTS

INDEX

212826	1-101	222662	1-62
212827	1-101	222674	1-47
2-150-010008	1-27	223435	1-21
2-150-010174	1-7, 1-9	223437	1-21
217196	1-23	223438	1-21
217547	1-7	223439	1-21
217559	1-7	223440	1-7, 1-9, 1-21
217560	1-9	223468	1-57, 1-65
217561	1-9	223469	1-62, 1-65
217568	1-9	223470	1-62
217570	1-71	223471	1-59, 1-69
217591	1-7	223473	1-57, 1-59, 1-65, 1-69, 1-81, 1-83, 1-89, 1-91
217593	1-7	223525	1-9
217626	1-7	223526	1-9
217627	1-7	223528	1-9
217646	1-9	224589	1-51
2-181-010001	1-13, 1-66, 1-89	224590	1-3, 1-5
218640	1-38	225075	1-5
219735	1-23	225076	1-5
219736	1-23	225085	1-9
219737	1-23	225086	1-97
219776	1-51	225093	1-75
219795	1-7, 1-9	225135	1-13
221229	1-23	225146	1-13
222503	1-3, 1-5	225147	1-13
222519	1-27, 1-33	225180	1-31
222520	1-27, 1-33	225189	1-27, 1-33
222523	1-27, 1-33	225190	1-27, 1-33
222524	1-27, 1-33	225191	1-27, 1-33
222527	1-27, 1-33	225198	1-62, 1-65, 1-89
222528	1-27, 1-33	225200	1-5
222530	1-27, 1-33	227302	1-47
222541	1-23	227303	1-47
222542	1-23	227304	1-47
222574	1-3	227306	1-47
222659	1-62	227307	1-47
222660	1-62	227308	1-47
222661	1-62	227697	1-95, 1-97

227698	1-75	229993	1-81, 1-89
227699	1-97	229994	1-83, 1-91
228224	1-15, 1-18	229998	1-78, 1-81
228225	1-18	229999	1-78, 1-83, 1-86
228247	1-13	23085	1-28
228253	1-35, 1-37	231207	1-78
228254	1-13	231208	1-78
228255	1-7, 1-9	231209	1-78
228256	1-7, 1-9	231210	1-78
228257	1-7, 1-9	231300	1-23, 1-25
228264	1-73, 1-75	231301	1-3
228265	1-75, 1-97	231302	1-54, 1-62, 1-71
228266	1-75, 1-97	231304	1-71
228267	1-75	231309	1-47
228268	1-75	231310	1-47
228269	1-75	231311	1-47
228270	1-35	231337	1-101
228271	1-35	231348	1-99
228277	1-5, 1-35, 1-37, 1-73, 1-75, 1-95, 1-97	231349	1-99
228278	1-51	231353	1-101
229560	1-41	231355	1-99
229561	1-41	231356	1-99
229565	1-41, 1-43	231357	1-99
229846	1-28	231358	1-99
229851	1-7, 1-9, 1-10	231360	1-99
229852	1-10	231362	1-99
229854	1-15	231367	1-86, 1-89
229919	1-71	231368	1-91
229920	1-71	231369	1-86
229921	1-71	231370	1-86
229946	1-3	231371	1-86
229950	1-7	231372	1-86
229953	1-3	231378	1-54, 1-62, 1-71
229954	1-3	231390	1-57
229967	1-3	231391	1-54, 1-59
229968	1-3	231392	1-54
229981	1-57, 1-65	231393	1-54
229982	1-25	231394	1-54

TABLE OF CONTENTS

INDEX

231395	1-54
231792	1-41, 1-43
231802	1-43
231803	1-43
231804	1-41
232181	1-51
234415	1-43
2-368-010273	1-47, 1-101
2-368-010287	1-13, 1-47
239470	1-69
2-474-010022	1-3, 1-5, 1-73, 1-75, 1-95, 1-97
2-557-010409	1-101
2-573-010198	1-51
2-573-010330-02	1-28
2-573-010336	1-31, 1-51
2-573-010469	1-23, 1-51
29SFFL 5811	1-57, 1-59, 1-65, 1-69
3/4-10X9-1/2CS8	1-99
4001060	1-21
43030	1-97
5000	1-21, 1-28, 1-93
500171	1-17
528933	1-47, 1-51
528934	1-47, 1-51
528938	1-47, 1-51
6-102-010009	1-93
66826	1-23, 1-25
66827	1-23, 1-25
70239854	1-5, 1-13, 1-57, 1-65
70260977	1-3, 1-5, 1-51
71508981	1-75
71509001	1-75
71509006	1-97
71509123	1-75
7779-78	1-73, 1-75
7779-84	1-97
7779-90	1-97
8-102-010043	1-57, 1-59, 1-65, 1-69

8-573-010084	1-51
--------------------	------

T

TR575	1-7, 1-9
-------------	----------

Document Control Revision Log:

Date	Form #	Improvement(s): Description and Comments
05/13/2021	F-1103	New Manual
06/23/2021	F-1103-0621	Initial Release
07/28/2021	F-1103-0721	Updated tire/wheel assemblies



Intertek

Equipment from Landoll Company, LLC is built to exacting standards ensured by ISO 9001 registration at all Landoll manufacturing facilities.

Model 2112 Coulter Chisel Parts Manual

Re-Order Part Number F-1103-0721

LANDOLL COMPANY, LLC

1900 North Street

Marysville, Kansas 66508

(785) 562-5381

800-428-5655 ~ WWW.LANDOLL.COM



Copyright 2021. Landoll Company, LLC

“All rights reserved, including the right to reproduce this material or portions thereof in any form.”

Scan to go to www.landoll.com

