

Farm King

OPERATOR AND PARTS MANUAL

Rollermill

Model 85 & 100

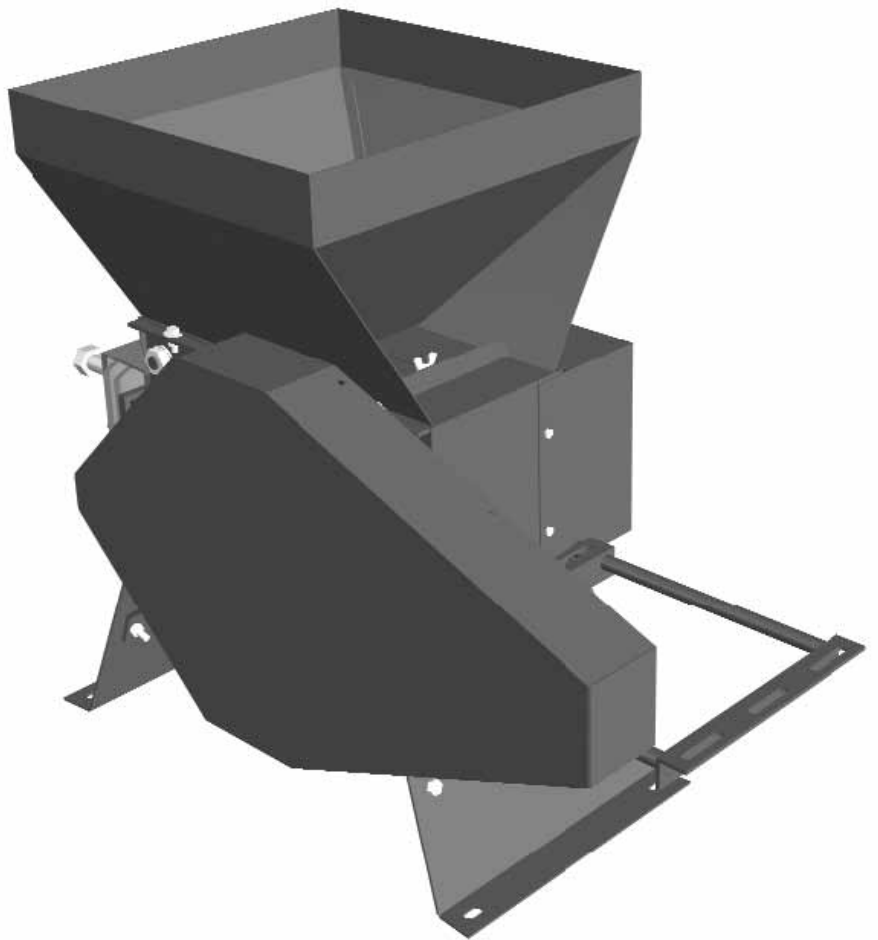


Table of Contents

Introduction4

Safety.....5

- Safety5
- General Safety.....6
- Start-up Safety6
- Operation Safety6
- Transport Safety6
- Service and Maintenance Safety7
- Storage Safety7
- Safety Signs7
- Safety Sign Installation7

Assembly.....8

- Assembly Instructions8
- Rollermill Guards9
- Drive Pulley Guard.....10
- Belt Drive Guard.....10
- PTO Drive Guard10

Operation 11

- Operation Instructions..... 11
- Theory of Operation 12

Bolt Torque 13

- Checking Bolt Torque 13

Parts Drawings..... 14

- Rollermill Assembly Drawings..... 14
- Rollermill Parts List 16
- PTO Shaft Drawing 20
- PTO Shaft Parts List 21

Shipping Kit and Bundle Numbers22

Warranty24

Manufacturer’s statement: for technical reasons Buhler Industries Inc. reserves the right to modify machinery design and specifications provided herein without any preliminary notice. Information provided herein is of descriptive nature. Performance quality may depend on soil fertility, applied agricultural techniques, weather conditions and other factors.

Introduction

Farm King Rollermills are built to last using durable, heavy gauge materials. They deliver top-quality rolled grains, year after year, with minimum maintenance and low daily operating costs. The Y85 handles 50-100 bushels/hour and is driven by PTO or 3 to 5 h.p. electric motor. The Y100 handles 100-150 bushels/hour and is driven by PTO or 5 to 7.5 h.p. electric motor. Power magnet trap keeps nails and other metal objects from entering rollers. Optional adjustable roll scrapers keep rollers clean. Chrome plated rollers for longer life. Stationary stand for easy set-up

Keep this manual handy for frequent reference. All new operators or owners must review the manual before using the equipment and at least annually thereafter. Contact your Farm King Dealer if you need assistance, information, or additional copies of the manual. Visit our website at www.buhlerindustries.com for a complete list of dealers in your area.

The directions left, right, front and rear, as mentioned throughout this manual, are as seen facing in the direction of travel of the implement.

Safety

Safety Instructions

Remember, YOU are the key to safety. Good safety practices not only protect you, but also the people around you. Make these practices a working part of your safety program. Be certain that everyone operating this equipment is familiar with the recommended operating and maintenance procedures and follows all the safety precautions. Most accidents can be prevented. Do not risk injury or death by ignoring good safety practices.

The alert symbol is used throughout this manual. It indicates attention is required and identifies hazards. Follow the recommended precautions.



The safety alert symbol means...
ATTENTION! BECOME ALERT! YOUR SAFETY IS INVOLVED!



CAUTION

The caution symbol indicates a potentially hazardous situation that, if not avoided, may result in minor or moderate injury. It may also be used to alert against unsafe practices.



WARNING

The Warning Symbol indicates a potentially hazardous situation that, if not avoided, could result in death or serious injury, and includes hazards that are exposed when guards are removed. It may also be used to alert against unsafe practices.



DANGER

The Danger Symbol indicates an imminently hazardous situation that, if not avoided will result in death or serious injury. This signal word is to be limited to the most extreme situations, typically for machine components that, for functional purposes, cannot be guarded.

General Safety Instructions

- Have a first-aid kit available for use and know how to use it.
- Have a fire extinguisher available, stored in a highly visible location, and know how to use it.
- Wear appropriate protective gear. This list may include but is not limited to:
 - hard hat
 - protective shoes with slip resistant soles
 - protective glasses or goggles
 - heavy gloves
 - wet weather gear
 - hearing protection
 - respirator or filter mask
- Read and understand the Operator's Manual and all safety signs before operating, servicing, adjusting, repairing, or unplugging the equipment.
- Do not attempt any unauthorized modifications to your Farm King product as this could affect function or safety, and could affect the life of the equipment.
- Never start or operate the mower except from the operator's station on the power unit.
- Inspect and clean the working area before operating.
- Keep hands, feet, clothing, and hair away from moving parts.
- Ensure bystanders are clear of the area before operating.

Start-up Safety

- Do not let inexperienced operators or children run this equipment.
- Ensure all shields are in place and in good condition before operating.
- Stay clear of PTO shaft and machine when engaging PTO.

Operation Safety

- Do not permit riders.
- Do not wear loose fitting clothing during operation.
- Never operate over 540 rpm PTO speed.

Transport Safety

- Check with local authorities regarding transport on public roads. Obey all applicable laws and regulations.
- Do not tow equipment that does not have brakes at speeds over 32 km/hr (20 miles/hr).
- Do not tow equipment that does not have brakes that, when fully loaded, has a mass (weight) over 1.5T (3300 lbs.) and more than 1.5 times the mass (weight) of the towing unit.
- Make sure the SMV (Slow Moving Vehicle) emblem and all the lights and reflectors that are required by the local highway and transport authorities are in place, are clean, and can be seen clearly by all overtaking and oncoming traffic.
- Never had the equipment in operation during transport.
- The equipment should never be towed without the safety chain securely attached to the unit and the towing vehicle.
- Always travel at a safe speed.
- Inflate transport tires to recommended pressure.

Service and Maintenance Safety

- Stop engine, set brake, remove ignition key, and wait for all moving parts to stop before servicing, adjusting, repairing, or unplugging.
- Support the equipment with blocks or safety stands before working beneath it.
- Follow good shop practices including:
 - keep service area clean and dry
 - be sure electrical outlets and tools are properly grounded
 - use adequate light for the job.
- Use only tools, jacks, and hoists of sufficient capacity for the job.
- Replace and secure all shields removed during servicing before operating.
- Use heavy leather gloves to handle sharp objects.
- Check hydraulics regularly for leaks. Use cardboard to look for leaks, and use hand and eye protection.
- Relieve pressure on hydraulic system before repairing or adjusting.
- Failure to follow proper procedures when mounting a tire on a wheel or rim can produce an explosion, which may result in serious injury or death.

Storage

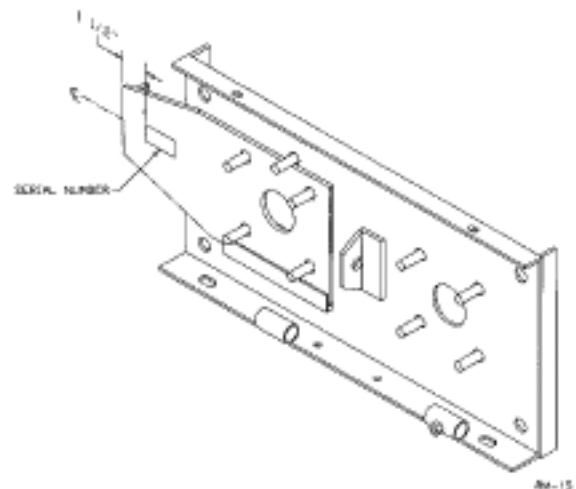
- Store the unit in an area away from human activity.
- Do not permit children to play on or around the stored machine.
- Support the frame on stands and blocks to provide a secure base.

Safety Signs

- The following illustration shows the approximate location and detail of safety signs.
- Keep all safety signs clean and legible and replace any that are damaged or missing.
- When original parts are replaced, any safety signs affixed to those parts should be replaced as well. Replacement safety signs are available from your local dealer.

Installation

- To install safety signs, ensure the installation area is clean and dry. Decide on the exact position before you remove the backing paper. Remove the smallest portion of the split backing paper and align over the specified area. Carefully press in place.
- Slowly peel back the remaining paper and smooth the remaining portion in place. Small air pockets can be pierced with a pin and smoothed out.



RM-15

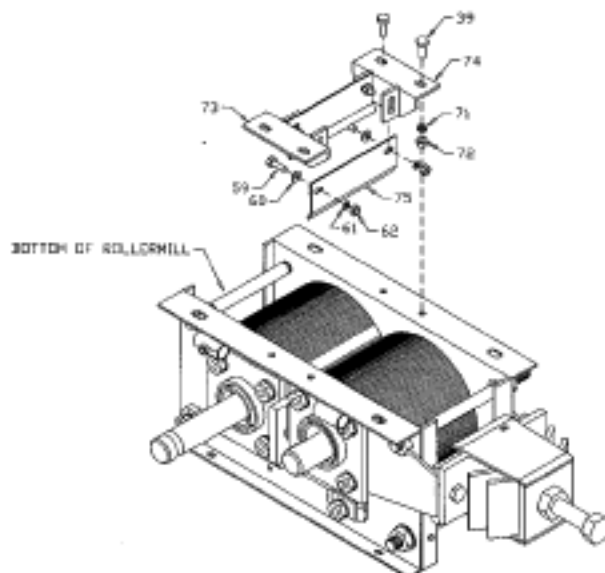
Assembly Instructions

1. Both the #85 and the #100 Rollermills are completely assembled except for the intake hopper (#57). Bolt the hopper to the top of the rollermill using bolts supplied with the hopper.
2. An optional stand with braces (#65 & #66) is available for both models. Bolt the stand underneath the rollermill using 3/8" x 1-1/4" hex bolts, lock washers and hex nuts for the braces and 1/2" x 1-1/4" hex bolts on the stand.
3. A belt drive kit consisting of a 15" single pulley, one B-58 V-belt and a motor mount is supplied with the #85 rollermills. A 3 h.p. electric motor is required for the motor drive. The #85 can also be run with a PTO shaft. The #100 rollermill may be purchased with either a belt drive kit consisting of a 15" double pulley, two B-62 V-belts and a motor mount or a PTO shaft for PTO drive. The 3/8" key is packed in the plastic bag with the manual. A 5 hp electric motor is used for the motor drive. The electric motor pulley must be supplied by the customer. The #85 rollermill requires a 4-1/2" B-groove single pulley. A double 4-1/2" pulley is required for the #100 rollermill electric motors should be 1750 rpm.
4. A magnet for the intake hopper is available as an option for all rollermills. This will keep small metal objects out of the rolled feed and also prevent damage to the roller grooves.
5. Optional PTO Drive Only: With the engine on the tractor shut off, attach the PTO shaft. The tractor end has a standard 6-spline end with a spring loaded locking pin. The rollermill end has a clamp-style yoke with a 3/8" keyway. Slide the yoke onto the roller shaft with the 3/8" key supplied. The 3/8" key is packed in the plastic bag with the manual. Lock the yoke in place with the 1/2" x 3" fine thread bolt and lock nut fitted through the groove in the roller shaft. After tightening the bolt, insert and tighten the 3/8" socket set screw supplied.



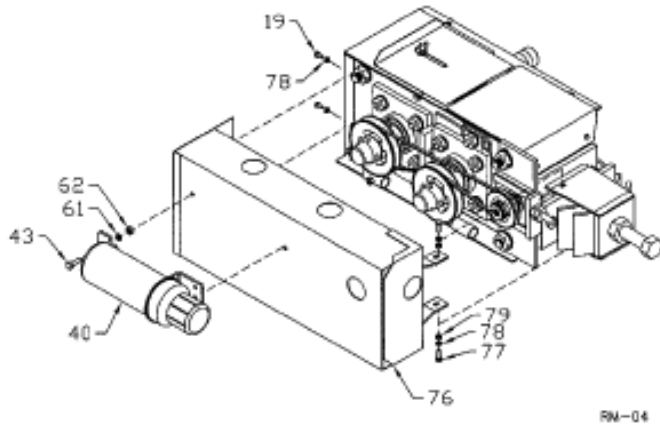
CAUTION

Always check to see that both ends of the PTO shaft are securely attached every time the rollermill is used. This should always be done with the tractor engine off.



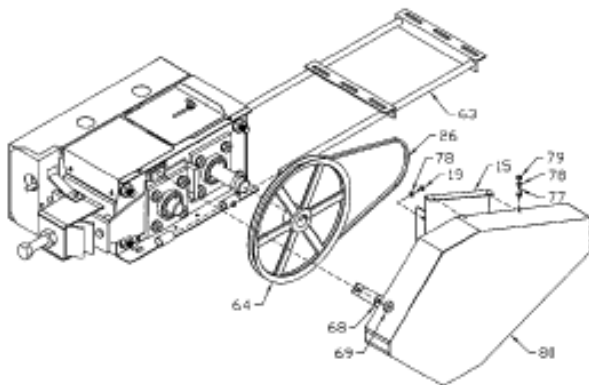
Rm-03

- Turn rollermill upside down as shown.
- Bolt the left and right angle irons to the rollermill sides in the holes near the center using 3/8" x 1" hex bolts, lock washers and hex nuts.
- Fasten the scrapers to the inside of the flat iron brackets welded to the angle irons using 5/16" x 1" hex bolts, flat washers, lock washers and hex nuts. The lip on the scrapers is turned to the center of the rollermill.
- Adjust the scraper height so the scrapers are just short of touching the rolls.



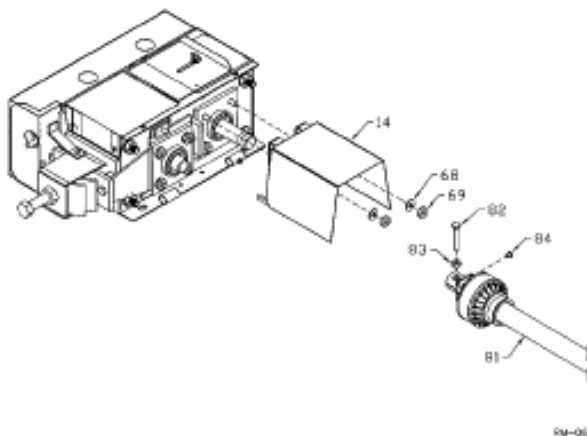
Drive Pulley Guard

- Used on all Rollermills



Belt Drive Guard

- Used on Rollermills with Electric Motor Drive.



PTO Drive Guard

- Used on Rollermills with PTO Drive.

Drive Pulley Guard

All rollermills are supplied with a drive pulley guard (#76). Lone end of the guard is bolted to the two holes punched in the spring holder using 1/4" x 3/4" hex bolts, lock washers and hex nuts. The other end is bolted on using the same bolts that hold on the rear cover plate.

Belt Drive Guard

Rollermills with an electric motor drive use an additional belt drive guard (#80). Bolt the guard insert (#15) to the rollermill using the same bolts that hold on the rear cover plate. Assemble the motor mount, electric motor, belts and pulleys. Bolt the guard to the insert using the 1/4" x 3/4" hex bolts, lock washers and hex nuts supplied. Bolt on the end of the guard using the same bolt that holds on the slide bracket.

PTO Drive Guard

Rollermills with a PRO drive use a PTO guard (#14). This guard bolts on using the top two bolts on the bearing flange.



DANGER

Never use the rollermill without all the appropriate guards in place. Always turn off the machine before removing any guard or when servicing.

Operation Instructions

Before using the Rollermill, check the clearance on the rollers. Place a piece of newspaper between the rollers and adjust the set screws on either side of the rollermill till you can feel a slight tension on the paper. The rollers, however, should not touch each other. It is very important that the rollers are evenly adjusted. To ensure good rolling results, check roller adjustment regularly and reset if necessary.

Close the gate control (#20) before starting the rollermill. The intake hopper should be partially full before opening the gate control. Keep the hopper partially filled at all times while the rollermill is running. This will allow the grain to be rolled evenly across the width of the roller and will result in more uniformly rolled feed. It also helps prevent the rollers from wearing unevenly. Before stopping the rollermill, close the gate control while there is still grain in the hopper. When the grain remaining in the machine has all been crushed, shut off the machine immediately. The gate control is left closed until the machine is started again.

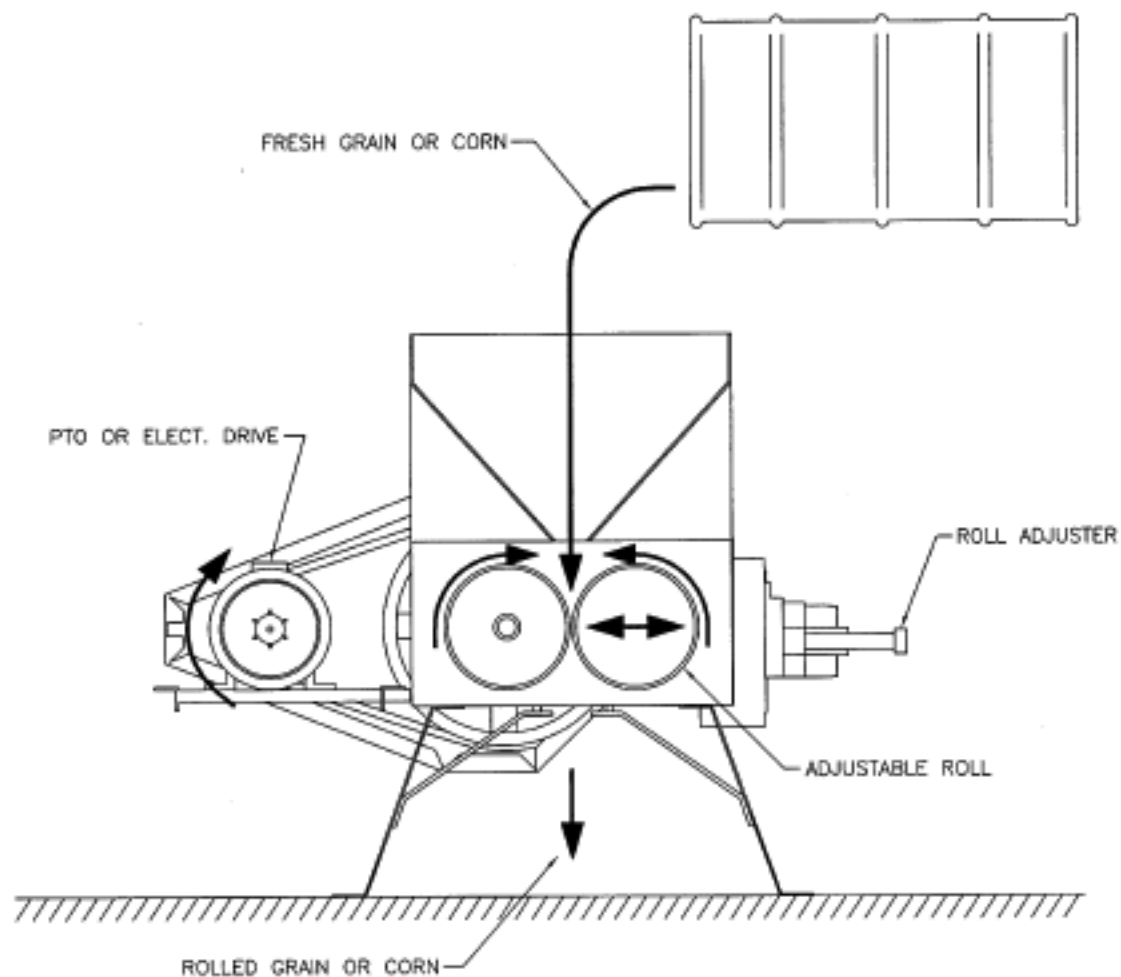
To regulate the type of rolled feed one wants, use the adjusting screw (#47). Increased pressure will result in finer and flatter feeds. Decreasing the tension will give you a coarser feed. The roller bearing should be greased approximately every 80 hours or once a season if used less.



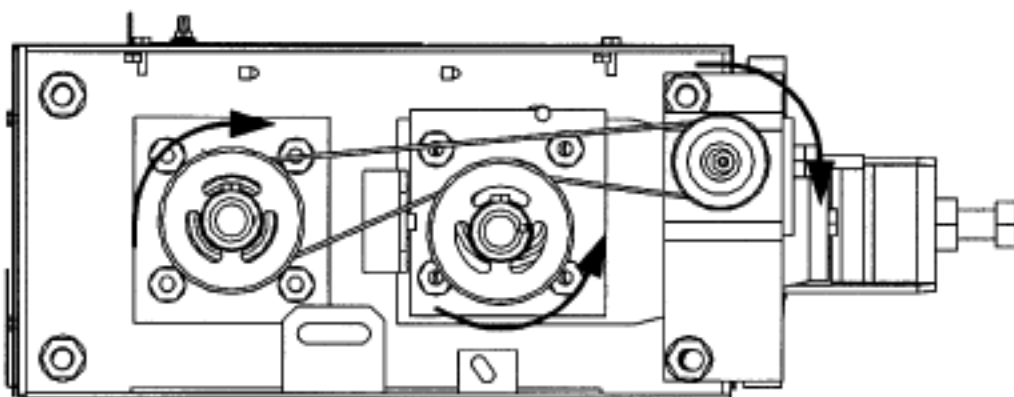
ALERT

When replacing bearings or tightening a loose bearing collar, always tighten collar in the direction of shaft rotation using a center punch or a similar tool.

Theory of Operation



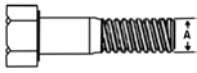



RM-16



Bolt Torque

Checking Bolt Torque

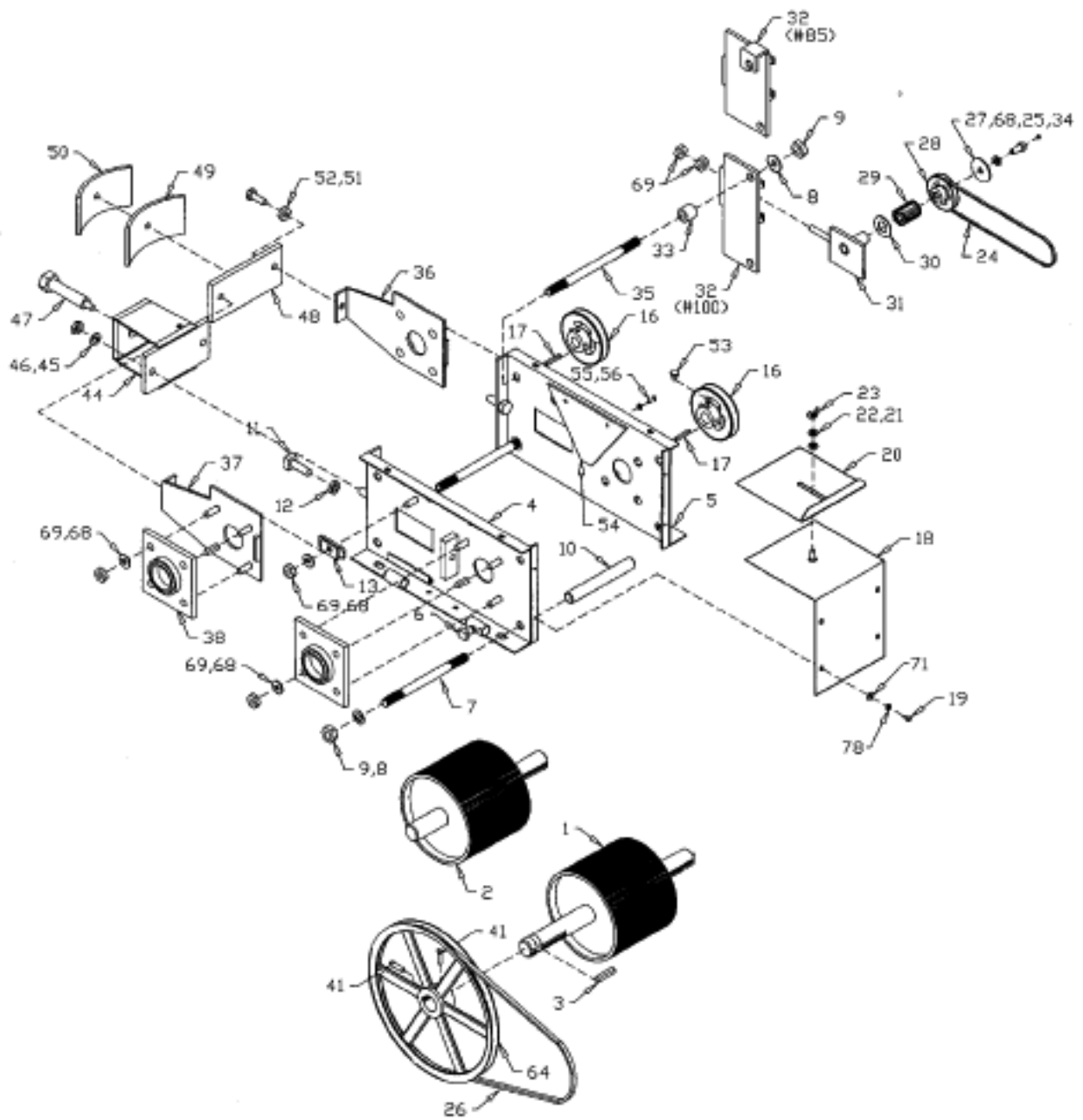
The tables shown below give correct torque values for various bolts and hex bolts. Tighten all bolts to the torques specified in chart unless otherwise noted. Check tightness of bolts periodically, using bolt torque chart as a guide. Replace hardware with the same strength bolt.

Bolt Torque*						
						
Bolt Diameter	Grade 2 Bolts		Grade 5 Bolts		Grade 8 Bolts	
(inches)	SAE 2		SAE 5		SAE 8	
"A"	(lb-ft)	(N.m)	(lb-ft)	(N.m)	(lb-ft)	(N.m)
0.25 (1/4)	6	8	9	12	12	17
0.313 (5/16)	10	13	19	25	27	36
0.375 (3/8)	20	27	33	45	45	63
0.438 (7/16)	30	42	53	72	75	100
0.5 (1/2)	45	61	80	110	115	155
0.563 (9/16)	70	95	115	155	165	220
0.625 (5/8)	95	128	160	215	220	305
.75 (3/4)	165	225	290	390	400	540
0.875 (7/8)	170	230	420	570	650	880
1	225	345	630	850	970	1320

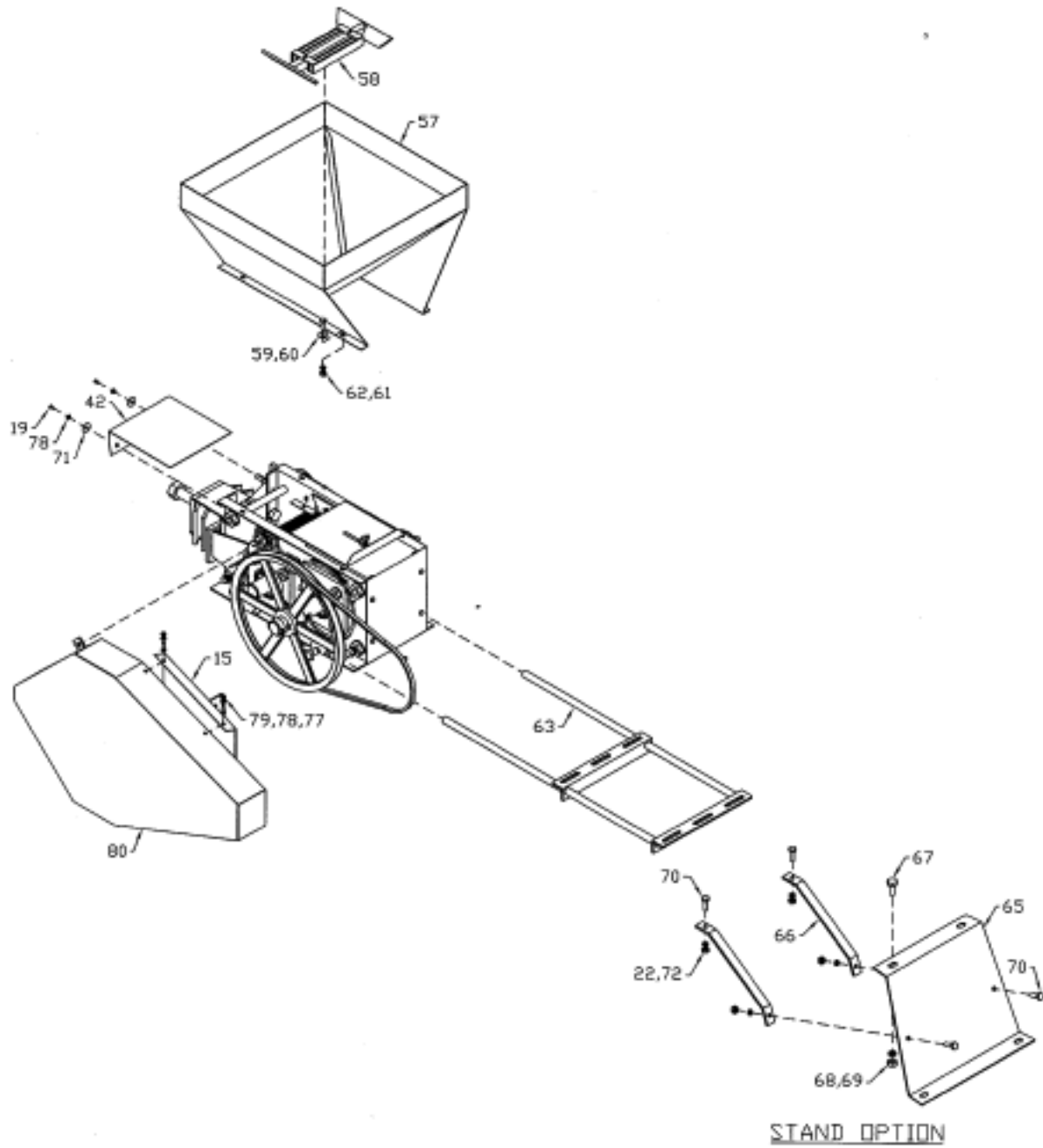
Torque figures indicated above are valid for non-greased or non-oiled threads and heads unless otherwise specified. Therefore, do not grease or oil bolts or hex bolts unless otherwise specified in this manual. When using locking elements, increase torque values by 5%.

*Torque value for bolts and hex bolts are identified by their head markings.

Rollermill Assembly Drawings



RM-01



RM-02

When Ordering Parts

Always give your dealer the Model, Color and Serial Number of your machine to assist him in ordering and obtaining the correct parts. Use the exploded view and tabular listing of the area of interest to exactly identify the required part.

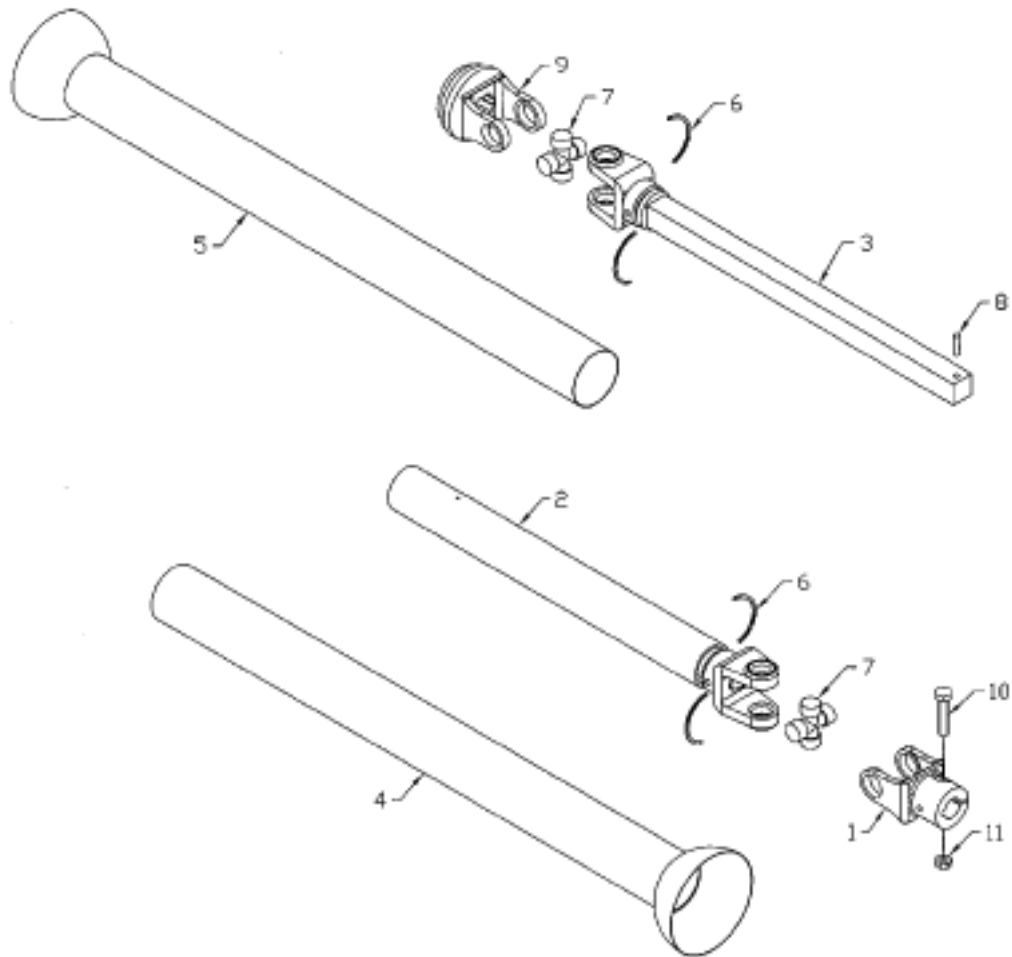
Item	Part Number	Description
1	968538	Standard 7" x 8" Rear Roll (8 Groove)
	968539	Chrome 7" x 8" Rear Roll (8 Groove)
	968540	Chrome 7" x 8" Rear Roll (6 Groove)
	968116	Standard 10" x 10" Rear Roll (8 Groove)
	968117	Chrome 10" x 10" Rear Roll (8 Groove)
	901541	Chrome 10" x 10" Rear Roll (6 Groove)
2	968505	Standard 7" x 8" Front Roll (8 Groove)
	968595	Chrome 7" x 8" Front Roll (8 Groove)
	968541	Chrome 7" x 8" Front Roll (6 Groove)
	968105	Standard 10" x 10" Front Roll (8 Groove)
	968195	Chrome 10" x 10" Front Roll (8 Groove)
	901540	Chrome 10" x 10" Front Roll (6 Groove)
	Y8103	Set of Standard Rolls For #85 Rollermill (8 Groove)
	Y8104	Set of Standard Rolls For #100 Rollermill (8 Groove)
	Y8108	Set of Chrome Rolls For #85 Rollermill (8 Groove)
	Y8109	Set of Chrome Rolls For #100 Rollermill (8 Groove)
3	Y8117	Set of Chrome Rolls For #85 Rollermill (6 Groove)
	Y8118	Set of Chrome Rolls For #100 Rollermill (6 Groove)
3	968807	3/8" x 3/8" x 2" Key
4	968504	Left Side (Model #85)
	968104	Left Side (Model #100)
5	968513	Right Side (Model #85)
	968113	Right Side (Model #100)
6	9810943	5/16" x 3/4" Square Head Set Screw
7	968509	Frame Bolt (3 Used) (#85) 3/4" x 10"
	968109	Frame Bolt (2 Used) (#100) 3/4" x 13"
8	81701	3/4" Lock Washer (pl)
9	81700	3/4" Hex Nut (pl)
10	968508	Frame Spacer (4 Used) (#85) 1.05" x 7-5/8"
	968108	Frame Spacer (4 Used) (#100) 1.05" x 10-5/8"
11	968802	5/8" x 2" Square Head Set Screw
12	84126	5/8" Jam Nut (pl)
13	968803	Slide Bracket (2 Used)
14	968599	Pto Guard
15	968600	Guard Insert (#85)
	968199	Guard Insert (#100)

Item	Part Number	Description
16	968816	6" Pulley, B-Groove, 1-1/2" Bore
17	901550	1/4" x 1/4" x 1-3/4" Key
18	968510	Rear Cover Plate (#85)
	968110	Rear Cover Plate (#100)
19	81523	1/4" x 1/2" Hex Bolt (pl)
20	968515	Gate Control (#85)
	968115	Gate Control (#100)
21	84000	3/8" Flat Washer (pl)
22	81593	3/8" Lock Washer (pl)
23	84217	3/8" Wing Nut (pl)
24	968518	Drive Belt (#85) - BB46
	968818	Drive Belt (#100) - BB51
25	110339	1/2" Grease Zerk Bolt
26	968586	Drive Belt For #85 Rollermill (B-58)
	973621	Drive Belt For #100 Rollermill (B-62)
27	901504	2-1/4" OD. Flat Washer
28	968822	4" Idler Pulley, B-Groove, 1-1/2" Bore
29	968827	Roller Bearing
30	84522	1" SAE Flat Washer (pl)
31	901500	Tightener Weldment
32	901494	Bracket Weldment (#85)
	901503	Bracket Weldment (#100)
33	901495	Spacer 1-1/4" OD. x 1-1/8" Long
34	967900	1/4" Grease Fitting
35	968530	Frame Bolt (1 Used) (#85) 3/8" x 11"
	968130	Frame Bolt (2 Used) (#100) 3/4" x 14"
36	968537	Adjustable Bearing Holder (#85) Right
	968837	Adjustable Bearing Holder (#100) Right
37	968501	Adjustable Bearing Holder (#85) Left
	968801	Adjustable Bearing Holder (#100) Left
38	968632	1-1/2" Bearing Flange & Insert
	968627	1-1/2" Bearing Only
39	86170	3/8" x 1" Hex Bolt (pl)
40	909277	Manual Holder
41	9812377	5/16" x 3/4" Square Head Set Screw (pl)
42	968531	Front Cover (#85)
	968131	Front Cover (#100)
43	81549	5/16" x 3/4" Hex Bolt (pl)
44	968536	Spring Support (#85)
	968136	Spring Support (#100)
45	81677	5/8" Lock Washer (pl)

Item	Part Number	Description
46	81676	5/8" Hex Nut (pl)
47	968832	Adjusting Screw
48	968535	Spring Plate (#85)
	968135	Spring Plate (#100)
49	968534	5/16" x 4" x 7" Spring (#85)
	968134	5/16" x 4" x 10" Spring (#100)
50	968533	5/16" x 4" x 6" Spring (#85)
	968133	5/16" x 4" x 9" Spring (#100)
51	812364	1/2" Lock Nut NC (pl)
52	967166	1/2" x 1-1/2" Flat Head Socket Bolt
53	985639	3/8" x 1/2" Socket Set Screw
54	968512	Belting Seal (#85)
	968812	Belting Seal (#100)
55	9812399	1/4" x 3/4" Flat Head Stove Bolts
56		1/4" Square Nuts (Included With Bolts)
57	968583	Hopper For #85 Rollermill
	968183	Hopper For #100 Rollermill
58	F7410	Magnet For #85 Rollermill
	F7510	Magnet For #100 Rollermill
59	812026	5/16" x 1" Hex Bolt (pl)
60	81570	5/16" B.S. Flat Washer (pl)
61	81569	5/16" Lock Washer (pl)
62	81568	5/16" Hex Nut (pl)
63	968587	Motor Mount For #85 Rollermill
	968187	Motor Mount For #100 Rollermill
64	968585	15" Single Pulley (#85)
	968185	15" Double Pulley (#100)
65	968591	Stand Only (#85) - 2 Required
	968191	Stand Only (#100) - 2 Required
66	968592	Brace Only (#85) - 4 Required
	968192	Brace Only (#100) - 4 Required
	F7420	Stand For #85 Rollermill (Set)
	F7520	Stand For #100 Rollermill (Set)
67	81620	1/2" x 1-1/4" Hex Bolt (pl)
68	81637	1/2" Lock Washer (pl)
69	81636	1/2" Hex Nut (pl)
70	86171	3/8" x 1-1/4" Hex Bolt (pl)
71	81546	1/4" Flat Washer (pl)
72	81592	3/8" Hex Nut (pl)
73	968590	Roll Scraper Left Angle (#85)
	968190	Roll Scraper Left Angle (#100)

Item	Part Number	Description
74	901705	Roll Scraper Right Angle (#85)
	901708	Roll Scraper Right Angle (#100)
75	968589	Roll Scraper - 7-1/8" (#85)
	968189	Roll Scraper - 10-1/8" (#100)
76	968597	18" x 23" Guard (#85)
	968197	21" x 27" Guard (#100)
77	81525	1/4" x 3/4" Hex Bolt (pl)
78	81545	1/4" Lock Washer (pl)
79	81544	1/4" Hex Nut (pl)
80	968598	#85 - Electric Motor Drive Guard
	968198	#100 - Electric Motor Drive Guard
81	F0841	PTO Shaft
82	81627	1/2" x 3" Hex Bolt NF (pl)
83	812364	1/2" Lock Nut NF (pl)
84	988999	3/8" x 3/8" Socket Set Screw (pl)

PTO Shaft Drawing



Item	Part Number	Description
	F0841	Shaft Complete
1	936266	Clamp Yoke
2	936051	Yoke & Tube Assembly
3	936052	Yoke & Shaft Assembly
4	936214	Inner Shield
5	936215	Outer Shield
6	936111	Shield Bearing Kit
7	936025	Repair Kit
8		Spring Pin
9	909674	6 Spline End Yoke
	936026	21 Spline End Yoke
10	967179	1/2" x 3" Fine Thread Bolt
11	967105	1/2" Fine Thread Lock Nut

Shipping Kit and Bundle Numbers

The following is a list of Kit Numbers for this product and the Bundle Numbers, Descriptions, and Quantities for each Kit.

Quantity	Bundle Number	Description
Y85 - #85 Rollermill		
1	F7400	Std. Rollermill
1	F7404	Belt Drive Kit
1	F7405	Hopper
1	F0867	Manual Carton
Y85C - #85 Rollermill w/ Chromed Rolls		
1	F7403	Rollermill – Chromed Rolls
1	F7404	Belt Drive Kit
1	F7405	Hopper
1	F0867	Manual Carton
Y85C-6 - #85 Rollermill w/ Chromed Corn Rolls		
1	F7404	Belt Drive Kit
1	F7405	Hopper
1	F7408	Rollermill – w/ Chromed 6 Groove Rolls
1	F0867	Manual Carton
Y100 - #100 Rollermill		
1	F7500	Std. Rollermill
1	F7501	Hopper
1	F0867	Manual Carton
Y100C - #100 Rollermill w/ Chromed Rolls		
1	F7501	Hopper
1	F7403	Rollermill – Chromed Rolls
1	F0867	Manual Carton
Y100C-6 - #100 Rollermill w/ Chromed Corn Rolls		
1	F7501	Hopper
1	F7508	Rollermill – w /Chromed 6 Groove Rolls
1	F0867	Manual Carton

Optional Bundle Numbers

The following is a list of options available for the Kits listed above.

Quantity	Bundle Number	Description
#85 Rollermill		
1	F7410	Holder Magnet
1	F7420	Stand
1	F7402	Scraper
1	Y8501	PTO Kit
#100 Rollermill		
1	Y8501	PTO Kit
1	F7550	Belt Drive Kit
1	F7510	Holder Magnet
1	F7520	Stand
1	F7502	Scraper

Farm King Limited Warranty

This document limits your warranty rights.

Base Limited Warranty

Buhler Industries Inc. provides this warranty only to original retail purchasers of its product. Buhler Industries Inc. warrants to such purchasers that all Buhler Industries Inc. manufactured parts and components used and serviced as provided for in the Operator's Manual shall be free from defects in materials and workmanship for a period following delivery to the original retail purchaser of 12 months (80 days for commercial applications). This limited warranty applies only to those parts and components manufactured by Buhler Industries Inc. Parts and components manufactured by others are subject to their manufacturer's warranties, if any.

Buhler Industries Inc. will fulfill this limited warranty by, at its option, repairing or replacing any covered part that is defective or is the result of improper workmanship, provided that the part is returned to Buhler Industries Inc. within thirty (30) days of the date that such defect or improper workmanship is, or should have been, discovered. Buhler Industries Inc. reserves the right to either inspect the product at the buyer's location or have it returned to the factory for inspection. Parts must be returned through the selling representative and the buyer must prepay transportation charges.

Buhler Industries Inc. will not be responsible for repairs or replacements that are necessitated, in whole or part, by the use of parts not manufactured by or obtained from Buhler Industries Inc. Under no circumstances are component parts warranted against normal wear and tear. There is no warranty on product pump seals, product pump bearings, rubber product hoses, pressure gauges, or other components that require replacement as part of normal maintenance. Also: Buckets and Bucket Tines carry no warranty, Bent Spears carry no warranty, Snowblower Fan Shafts carry no warranty, Mower Blades carry no warranty, Portable Auger Parts Have Two (2) Year Warranty, Loader Parts Have Two (2) Year Warranty. The purchaser is solely responsible for determining suitability of goods sold. This warranty is expressly in lieu of all other warranties expressed or implied. Buhler Industries Inc. will in no event be liable for any incidental or consequential damages whatsoever. Nor for any sum in excess of the price received for the goods for which liability is claimed.

Repair Parts Limited Warranty

Buhler Industries Inc. warrants Farm King replacement parts purchased after the expiration of the Buhler Industries Inc. Limited Warranty, and used and serviced as provided for in the Operator's Manual, to be free from defects in materials or workmanship for a period of thirty (30) days from the invoice date for the parts. Buhler Industries Inc. will fulfill this limited warranty by, at its option, repairing or replacing any covered part that is defective or is the result of improper workmanship, provided that the part is returned to Buhler Industries Inc. within thirty (30) days of the date that such defect or improper workmanship is, or should have been, discovered. Such parts must be shipped to Buhler Industries Inc. at the purchaser's expense.

What is Not Covered

Under no circumstances does this limited warranty cover any components or parts that have been subject to the following: negligence; alteration or modification not approved by Buhler Industries Inc.; misuse; improper storage; lack of reasonable and proper maintenance, service, or repair; normal wear; damage from failure to follow operating instructions; accident; and/or repairs that have been made with parts other than those manufactured, supplied, and or authorized by Buhler Industries Inc.

Authorized Dealer and Labor Costs

Repairs eligible for labor under this limited warranty must be made by Buhler Industries Inc. or an authorized Farm King dealer. Buhler Industries Inc. retains the exclusive discretion to determine whether it will pay labor costs for warranty repairs or replacements, and the amount of such costs that it will pay and the time in which the repairs will be made. If Buhler Industries Inc. determines that it will pay labor costs for warranty work, it will do so by issuing a credit to the dealer's or distributor's account. Buhler Industries Inc. will not approve or pay invoices sent for repairs that Buhler Industries Inc. has not previously approved. Warranty service does not extend the original term of this limited warranty.

Warranty Requirements

To be covered by warranty, each Farm King new product must be registered with Buhler Industries Inc. within thirty (30) days of delivery to original retail purchaser. If the customer decides to purchase replacement components before the warranty disposition of such components is determined, Buhler Industries Inc. will bill the customer for such components and then credit the replacement invoice for those components later determined to be covered by this limited warranty. Any such replacement components that are determined not be covered by this limited warranty will be subject to the terms of the invoice and shall be paid for by the purchaser.

Warranty Claims:

Warranty requests must be prepared on Buhler Industries Inc. Warranty Claim Forms with all requested information properly completed. Warranty Claims must be submitted within a thirty (30) day period from date of failure repair.

Warranty Labor:

Any labor subject to warranty must be authorized by Buhler Industries Inc. The labor rate for replacing defective parts, where applicable, will be credited at 100% of the dealer's posted shop rate.

Exclusive Effect of Warranty and Limitation of Liability

TO THE EXTENT PERMITTED BY LAW, BUHLER INDUSTRIES INC. DISCLAIMS ANY WARRANTIES, REPRESENTATIONS, OR PROMISES, EXPRESS OR IMPLIED, AS TO THE QUALITY, PERFORMANCE, OR FREEDOM FROM DEFECT OF THE COMPONENTS AND PARTS COVERED BY THIS WARRANTY AND NOT SPECIFICALLY PROVIDED FOR HEREIN.

TO THE EXTENT PERMITTED BY LAW, BUHLER INDUSTRIES INC. DISCLAIMS ANY IMPLIED WARRANTIES OF MERCHANTABILITY AND FITNESS FOR A PARTICULAR PURPOSE ON ITS PRODUCTS COVERED HEREIN, AND DISCLAIMS ANY RELIANCE BY THE PURCHASER ON BUHLER INDUSTRIES INC.'S SKILL OR JUDGMENT TO SELECT OR FURNISH GOODS FOR ANY PARTICULAR PURPOSE. THE PURCHASER'S ONLY AND EXCLUSIVE REMEDIES IN CONNECTION WITH THE BREACH OR PERFORMANCE OF ANY WARRANTY ON PRODUCTS MANUFACTURED BY BUHLER INDUSTRIES INC. ARE THOSE SET FORTH HEREIN. IN NO EVENT SHALL BUHLER INDUSTRIES INC. BE LIABLE FOR INCIDENTAL OR CONSEQUENTIAL DAMAGES (INCLUDING, BY WAY OF EXAMPLE ONLY AND NOT LIMITATION, LOSS OF CROPS, LOSS OF PROFITS OR REVENUE, OTHER COMMERCIAL LOSSES, INCONVENIENCE, OR COST OF REPLACEMENT OF RENTAL EQUIPMENT). IN NO EVENT SHALL FARM KING'S CONTRACT OR WARRANTY LIABILITY EXCEED THE PURCHASE PRICE OF THE PRODUCT.

(Note that some provinces or states do not allow limitations on how long an implied warranty lasts or the exclusion or limitation of incidental or consequential damages, so the above limitations and exclusion may not apply to you.) This warranty gives you specific legal rights and you may also have other rights, which vary from province to province or state to state.

Buhler Industries Inc. neither assumes nor authorizes any person or entity, including its selling representatives, to assume any other obligations or liability in connections with the sale of covered equipment, or to make any other warranties, representations, or promises, express or implied, as to the quality, performance, or freedom from defect of the components and parts covered herein. No one is authorized to alter, modify, or enlarge this limited warranty, or its exclusions, limitations and reservations.

Corrections of defects and improper workmanship in the manner, and for the applicable time periods, provided for herein shall constitute fulfillment of all responsibilities of Buhler Industries Inc. to the purchaser, and Buhler Industries Inc. shall not be liable in negligence, contract, or on any other basis with respect to the subject equipment.

This limited warranty is subject to any existing conditions of supply which may directly affect Buhler Industries Inc.'s ability to obtain materials or manufacture replacement parts.

Buhler Industries Inc. reserves the right to make improvements in design or changes in specifications to its products at anytime, without incurring any obligation to owners of units previously sold.

Government Legislation:

Warranty terms and conditions are subject to provincial or state legislation.

Important Note: This warranty does not apply to rentals.

www.farm-king.com

Farm King

301 Mountain Street South
Morden, Manitoba Canada R6M 1X7
Ph.: 204.822.4467 | Fax: 204.822.6348
Toll Free: 888.524.1004
E-mail: info@buhler.com
www.farm-king.com

Equipment shown is subject to change without notice.
©2010 Buhler Trading Inc. Printed in USA. TSX:BUI

bühler | a division of Buhler Industries Inc.