

---

**Bale Pro<sup>®</sup> Equipment  
Product Catalogue**



**ANNIVERSARY**  
**30<sup>th</sup>**



# TABLE OF CONTENTS



PAGE  
**10**

**BP 660 Bale Pro**® Dual Feed Roller Processor. Requires Minimal Maintenance.



PAGE  
**16**

**BP 661 Bale Pro**® Chain & Slat Processor. Offers Ease of Use.



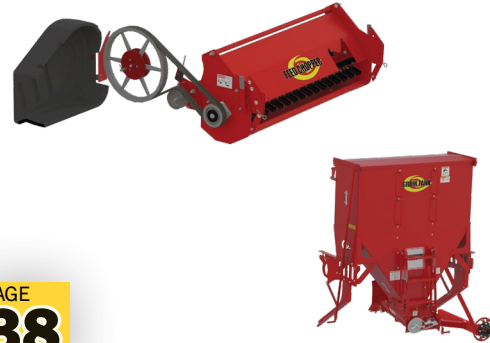
PAGE  
**22**

**BP 663 TOP GUN**® Delivers Effective Bedding and Coverage Solutions for Agriculture and Construction.



PAGE  
**28**

**BP 965 Bale Pro**® Process Square or Round Bales - Adds Flexibility When Using Multiple Forages.



PAGE  
**38**

**The Bale Pro**® modular system  
The Bale Pro®, Feed Chopper™ and Grain Tank.

# OUR MISSION

**Our mission is to design, manufacture and distribute the highest quality, most durable and reliable farm equipment in the world, which is affordable and meets or exceeds the expectations of our most demanding customers.**

Highline Manufacturing is a division of Bourgault Industries Ltd. and as such shares a common standard of "pursuing perfection" in their business approach. Highline's shared approach is to develop relevant products of the highest quality that exceed the expectations of our most discerning customers.





**PRESIDENT OF BOURGAULT INDUSTRIES LTD.**

Gerry Bourgault, P. Eng.

**PRESIDENT'S MESSAGE**

As everyone was vividly reminded in the early days of the COVID19 pandemic, food is absolutely essential for human existence. In recent times, until this event occurred, food availability was something that was taken for granted in most of the Western world. However, the onset of COVID19 reminded everyone that not much else matters if one does not have food to eat. Clearly, producing food is a crucial and meaningful occupation for which food producers should be very proud. And in the world of food production, truly, it is difficult to find a more demanding way of making a living than by working with livestock!

The Research and Development team at Highline® Manufacturing is continuing its efforts to bring new, innovative, high quality products to the market, as well as continuing to refine and make improvements to existing products, in order to help livestock producers operate more efficiently, as well as to make their lives a little bit easier. Taking the time to review Highline® product offerings found in this catalogue will allow you to discover how Highline's innovations could benefit your livestock operation.

If you have any questions or require additional information about any of this equipment, please visit [highlinemfg.com](http://highlinemfg.com), contact your nearest Highline® dealer or call us directly at 1-800-665-2010. You can also see Highline® products in action on YouTube.com.

**GENERAL MANAGER'S MESSAGE**

The Highline® team knows the importance of livestock health and welfare to the farmers caring for them. That is why we are regularly on the farm with our customers asking what they need to see in our bale processor designs to ensure that their animals are being properly fed and bedded with these machines. This collaboration between farmers and Highline® has translated into the bale processor line up you will see in this catalogue, as well as more new and exciting designs to come in the future. Patented features of the machines including the Feed Chopper™ and Grain Tank system ensure maximum utilization of feed translating into cost savings and maximum profits for the farmer. Highline® bale processors are simple to use and built to last in the toughest of conditions. Be sure to contact your local Highline® dealer and request a demo to see one in action on your farm!

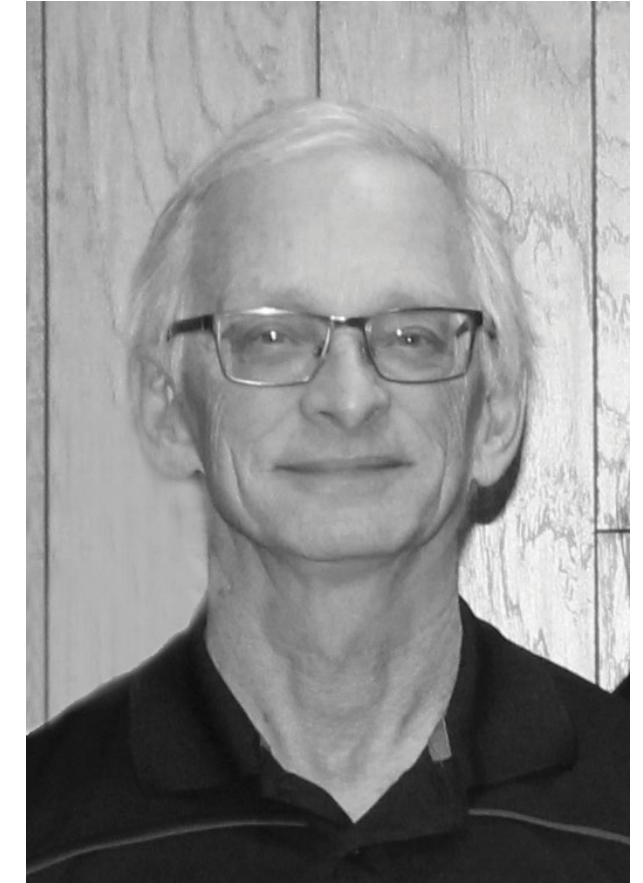
**GENERAL MANAGER OF HIGHLINE MANUFACTURING**

Bob Cochran, P. Eng.





Ruminants are an essential group of animals that contribute to healthy living. In terms of sustainability of this rich food supply, they consume forages from marginal land, crop residues and grain turning it into nutrient dense meat. They are increasingly being fed from land not able to produce crops. Land unsuitable for cropping represents twenty percent or more of all land available for human use. Ruminant grazing is a responsible and productive use of this land for society. Efficiency within ruminant agriculture has reduced inputs and increased the output of food over the last thirty years. This has happened in part with the assistance of equipment manufactured by Highline® designed to deliver research driven nutritional results. Highline® Bale Pros® can chop forages to desirable lengths which can increase intake for medium and low quality forages. Nutritional research continues to advance our understanding of how the animal responds to the diet nutrients, the form in which it is presented and how to optimize intake. Highline® reviews this information as it emerges and adapts to deliver the best tool for precision feeding today. Producers have met challenges to the ruminant business with an eye to profit and belief in the future. Highline® is here to assist producers with equipment to fit each unique farm feeding situation.



**CORPORATE RUMINANT NUTRITIONIST**

John Maltman, M.Sc., P.Ag.

For further details on Precision Feeding visit: [www.highlinemfg.com](http://www.highlinemfg.com)

# 4 BALE PRO<sup>®</sup> models

**4 MODELS** - each with unique advantages.

The Bale Pro<sup>®</sup> series from Highline<sup>®</sup> allows you to efficiently process round and square bales (model dependent). With 4 options to choose from there's one that is the best fit for your cattle operation. The Bale Pro<sup>®</sup> modular system allows you to expand your machine as your operation evolves.



**Dual Feed Roller Processor  
Requires Minimal Maintenance**

**BP 660 Bale Pro<sup>®</sup>**

PAGE 10



**Chain & Slat Processor  
Offers Ease of Use**

**BP 661 Bale Pro<sup>®</sup>**

PAGE 16



**Delivers Effective Bedding and Coverage  
Solutions for Agriculture and Construction**

**BP 663 TOP GUN<sup>®</sup>**

PAGE 22



**Process Square or Round Bales - Adds Flexibility  
When Using Multiple Forages**

**BP 965 Bale Pro<sup>®</sup>**

PAGE 28

# BP 660 BALE PRO®



## PROCESS this way

The BP 660 Bale Pro® is a great option for cattle operations looking for a durable, well-engineered bale processor. The BP 660 Bale Pro® has a dual feed roller processing chamber with a centrally driven flail drum. Expand your BP 660 by adding a Feed Chopper™ and Grain Tank (See page 38 for additional information on the Bale Pro® modular system).

PRECISION  
feeding





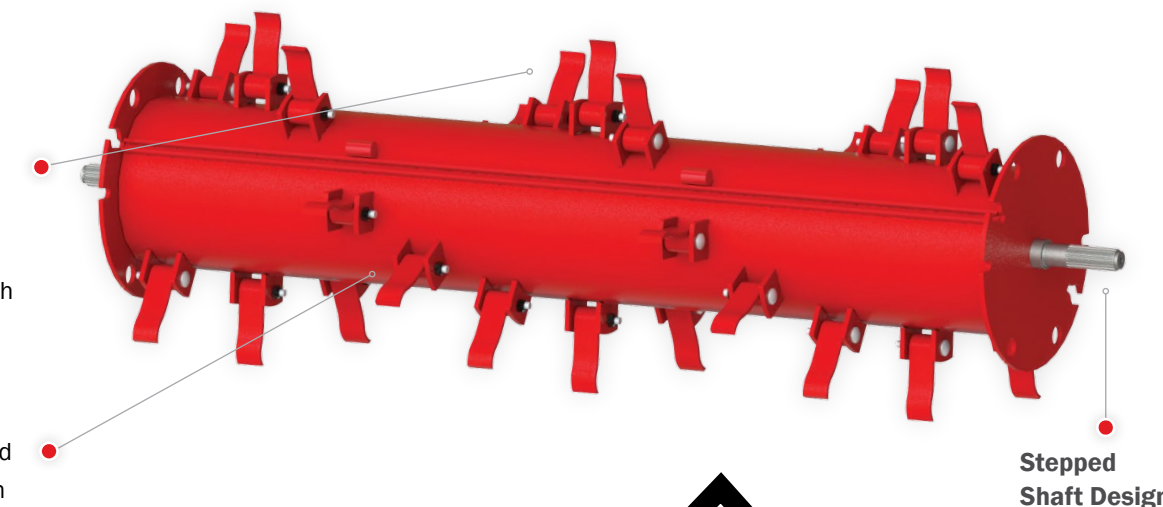
# The **Dual Feed Roller Processing Chamber** of the **BP 660 Bale Pro**<sup>®</sup>

*Dual feed roller processing chamber also on the BP 663 TOP GUN<sup>®</sup> and BP 965 Bale Pro<sup>®</sup>.*

The Highline<sup>®</sup> flails efficiently "bite" into the bale for uniform feed processing. The flails are optimally sized to grab the bale.

The stepped shaft design is machined from a single length of material vastly improving strength and durability of the drum.

The flails are designed in a spiral formation. This spiral formation ensures that the bale is continuously pulled and processed resulting in consistent feed. Also, the flail drum is digitally balanced for smooth performance and long bearing life.



Stepped Shaft Design

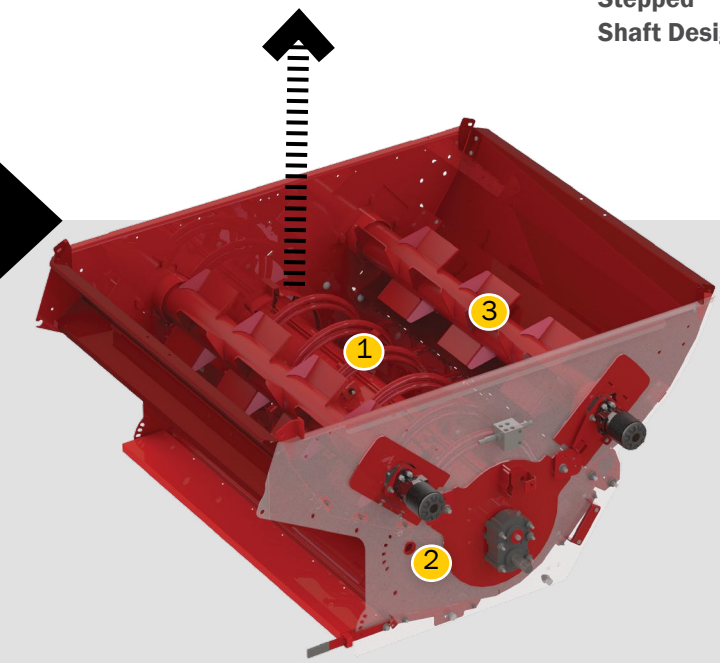


- 1 Guard Rods**
- 2 Adjustable Aggression**
- 3 Feed Rollers**

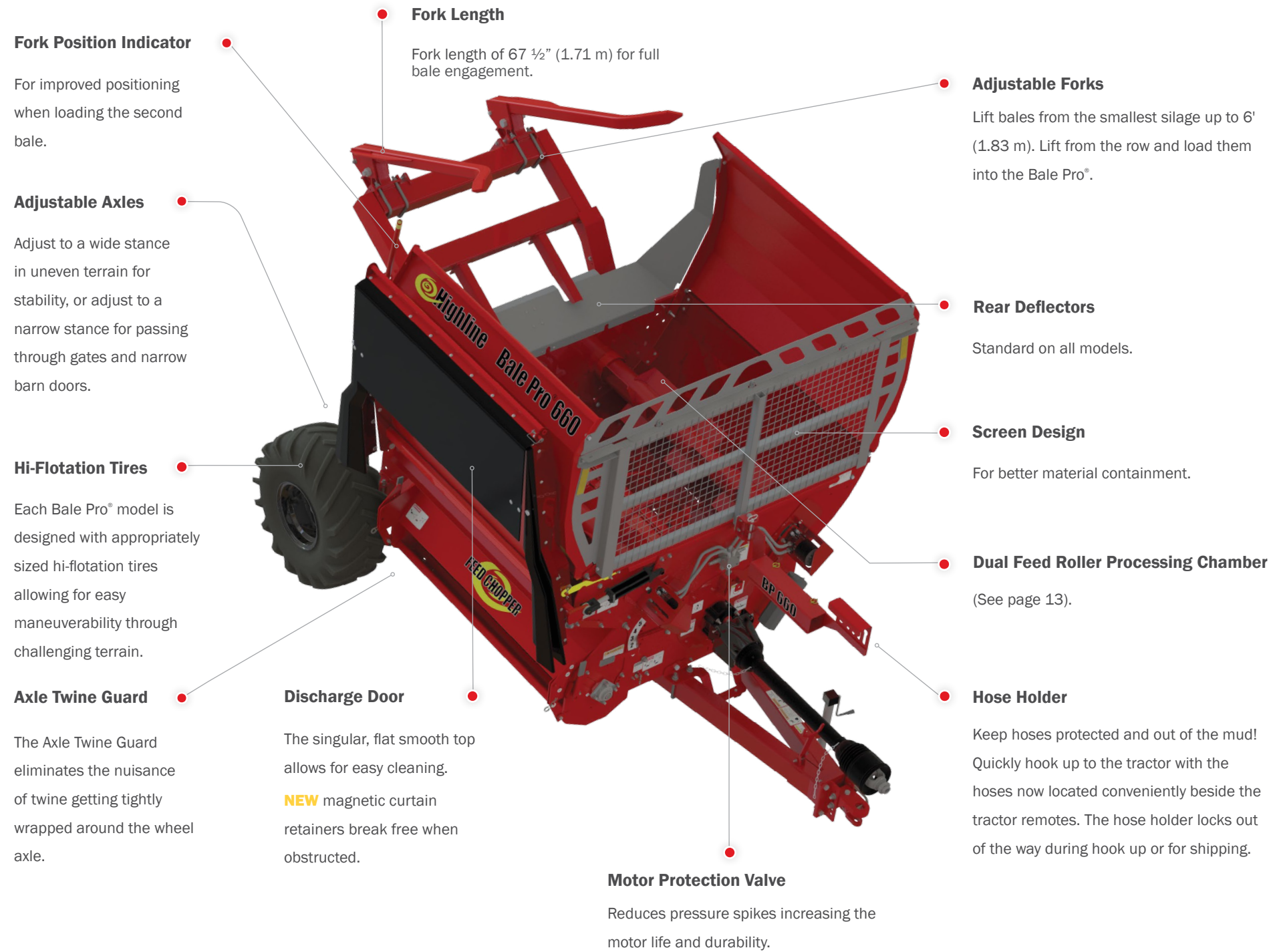
The bale sits partially on the guard rods. The flails protrude through the guard rods grabbing the bale and pulling it through. The guard rods are shaped to provide a very uniform rate of processing. Additional guard rods can easily be added for more bale control while processing.

Bales can be processed more or less aggressively depending on your needs. Processing can be set in a range of 1-5, with 1 being the slowest and 5 being the fastest processing rate. Flails engage the bale from 1/8" up to 1 3/4" for faster processing.

Highline<sup>®</sup> feed rollers come with four rows of steel paddles. This design pulls the feed through for more consistent processing and reduced build up of material. The dual feed rollers allow the flail drum to be centrally located in the chamber providing up to 60' (18.3 m)\* of material discharge distance.



\* Contingent on environmental and operating conditions.



**Fork Position Indicator**  
For improved positioning when loading the second bale.

**Fork Length**  
Fork length of 67 1/2" (1.71 m) for full bale engagement.

**Adjustable Axles**  
Adjust to a wide stance in uneven terrain for stability, or adjust to a narrow stance for passing through gates and narrow barn doors.

**Hi-Flotation Tires**  
Each Bale Pro® model is designed with appropriately sized hi-flotation tires allowing for easy maneuverability through challenging terrain.

**Axle Twine Guard**  
The Axle Twine Guard eliminates the nuisance of twine getting tightly wrapped around the wheel axle.

**Discharge Door**  
The singular, flat smooth top allows for easy cleaning. **NEW** magnetic curtain retainers break free when obstructed.

**Motor Protection Valve**  
Reduces pressure spikes increasing the motor life and durability.

**Adjustable Forks**  
Lift bales from the smallest silage up to 6' (1.83 m). Lift from the row and load them into the Bale Pro®.

**Rear Deflectors**  
Standard on all models.

**Screen Design**  
For better material containment.

**Dual Feed Roller Processing Chamber**  
(See page 13).

**Hose Holder**  
Keep hoses protected and out of the mud! Quickly hook up to the tractor with the hoses now located conveniently beside the tractor remotes. The hose holder locks out of the way during hook up or for shipping.

# BP 660 SPECIFICATIONS

	Base 660 Bale Pro®	Base 660 Bale Pro® with Feed Chopper™	Base 660 Bale Pro® with Grain Tank	Base 660 Bale Pro® with FC* & GT**
<b>PTO Minimum HP</b>	85 hp (64 kW)	125 hp (94 kW)	100 hp (75 kW)	125 hp (94 kW)
<b>PTO Recommended HP</b>	100 hp (75 kW)	140 hp (105 kW)	125 hp (94 kW)	140 hp (105 kW)
<b>Transport Width</b>	112" (2.84 m)	112" (2.84 m)	141 1/2" (3.59 m)	141 1/2" (3.59 m)
<b>Transport Height</b>	130 1/2" (3.31 m)	130 1/2" (3.31 m)	130 1/2" (3.31 m)	130 1/2" (3.31 m)
<b>Working Height Maximum</b>	152" (3.86 m)	152" (3.86 m)	152" (3.86 m)	152" (3.86 m)
<b>Length to End of Tires</b>	174" (4.42 m)	174" (4.42 m)	174" (4.42 m)	174" (4.42 m)
<b>Length to End of Forks Down</b>	223 1/2" (5.68 m)	223 1/2" (5.68 m)	223 1/2" (5.68 m)	223 1/2" (5.68 m)
<b>Discharge***</b>	Right Hand	Right Hand	Right Hand	Right Hand
<b>Weight</b>	5050 lb (2291 kg)	5820 lb (2640 kg)	6090 lb (2762 kg)	6860 lb (3112 kg)
<b>Tongue Weight (Unloaded)</b>	1610 lb (730 kg)	1890 lb (857 kg)	1975 lb (896 kg)	2225 lb (1009 kg)
<b>Hydraulics</b>	3 Remote	3 Remote	3 Remote	3 Remote
<b>Driveline</b>	1000 rpm PTO 1 3/8" 21 Spline	1000 rpm PTO 1 3/8" 21 Spline	1000 rpm PTO 1 3/8" 21 Spline	1000 rpm PTO 1 3/8" 21 Spline
<b>Tires</b>	16.5L x 16.1	16.5L x 16.1	16.5L x 16.1	16.5L x 16.1
<b>Size of Bales</b>	Up to 6' (1.83 m) diameter	Up to 6' (1.83 m) diameter	Up to 6' (1.83 m) diameter	Up to 6' (1.83 m) diameter
<b>Discharge End Curtains, Top and Rear Deflectors</b>	Standard	Standard	Standard	Standard
<b>2 Hydraulic Remote</b>	Option	Option	Option	Option

\* FC - Feed Chopper  
\*\* Grain Tank capacity - 45 bushels (1587 L)  
\*\*\* Right/left hand is determined by sitting in the tractor seat looking forward.  
All weights and transport dimensions are estimates and are subject to change.  
While every effort has been made to ensure that the information is accurate/current at the time of production, all specifications are subject to change.  
If livestock is being fed, it is the operator's responsibility to ensure that the materials in the processed feed mix are suitable. Some of the wrapping material (twine, net wrap or other materials) may be discharged with the feed if the wrapping materials are not removed prior to processing.  
For the latest product information, please visit: [www.highlinemfg.com](http://www.highlinemfg.com).



# BP 661 BALE PRO®



## PROCESS that way

The BP 661 Bale Pro® is also a great option for cattle operations looking for a durable, well-engineered bale processor. An alternative to the BP 660 Bale Pro®, the 661 Bale Pro® has a slat and chain processing chamber with an offset flail drum. Expand your BP 661 by adding a Feed Chopper™ and Grain Tank (See page 38 for additional information on the BP modular system).

17

PRECISION  
feeding



BP 661 BALE PRO®

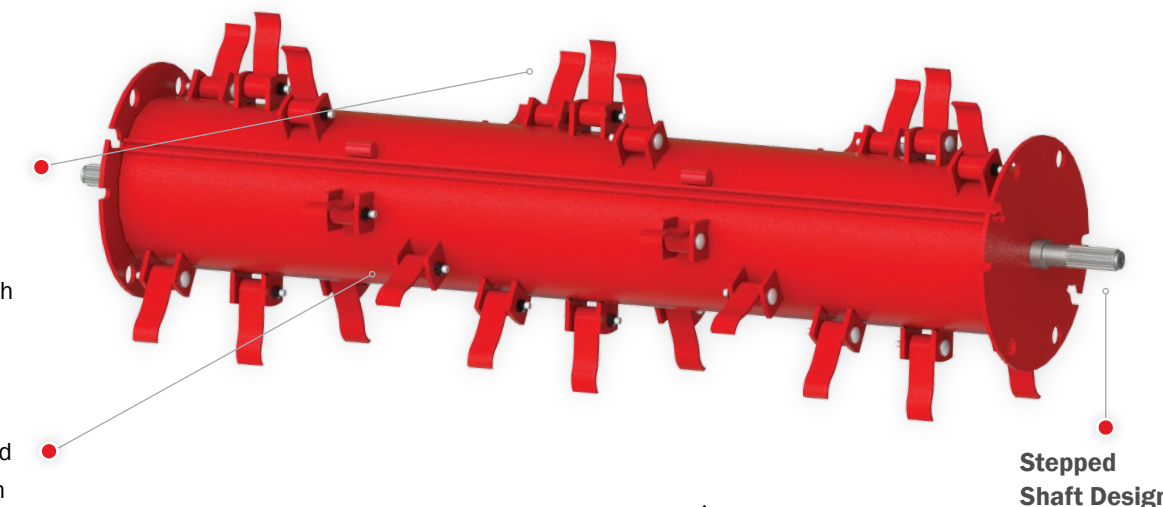


# The **Slat & Chain Processing Chamber** of the **BP 661 Bale Pro**®

The Highline® flails efficiently "bite" into the bale for uniform feed processing. The flails are optimally sized to grab the bale.

The stepped shaft design is machined from a single length of material vastly improving strength and durability of the drum.

The flails are designed in a spiral formation. This spiral formation ensures that the bale is continuously pulled and processed resulting in consistent feed. Also, the flail drum is digitally balanced for smooth performance and long bearing life.

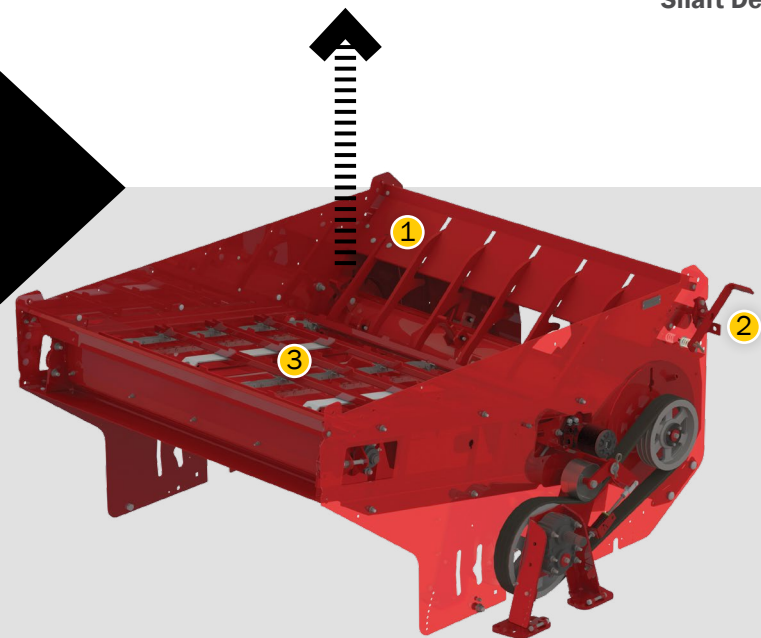


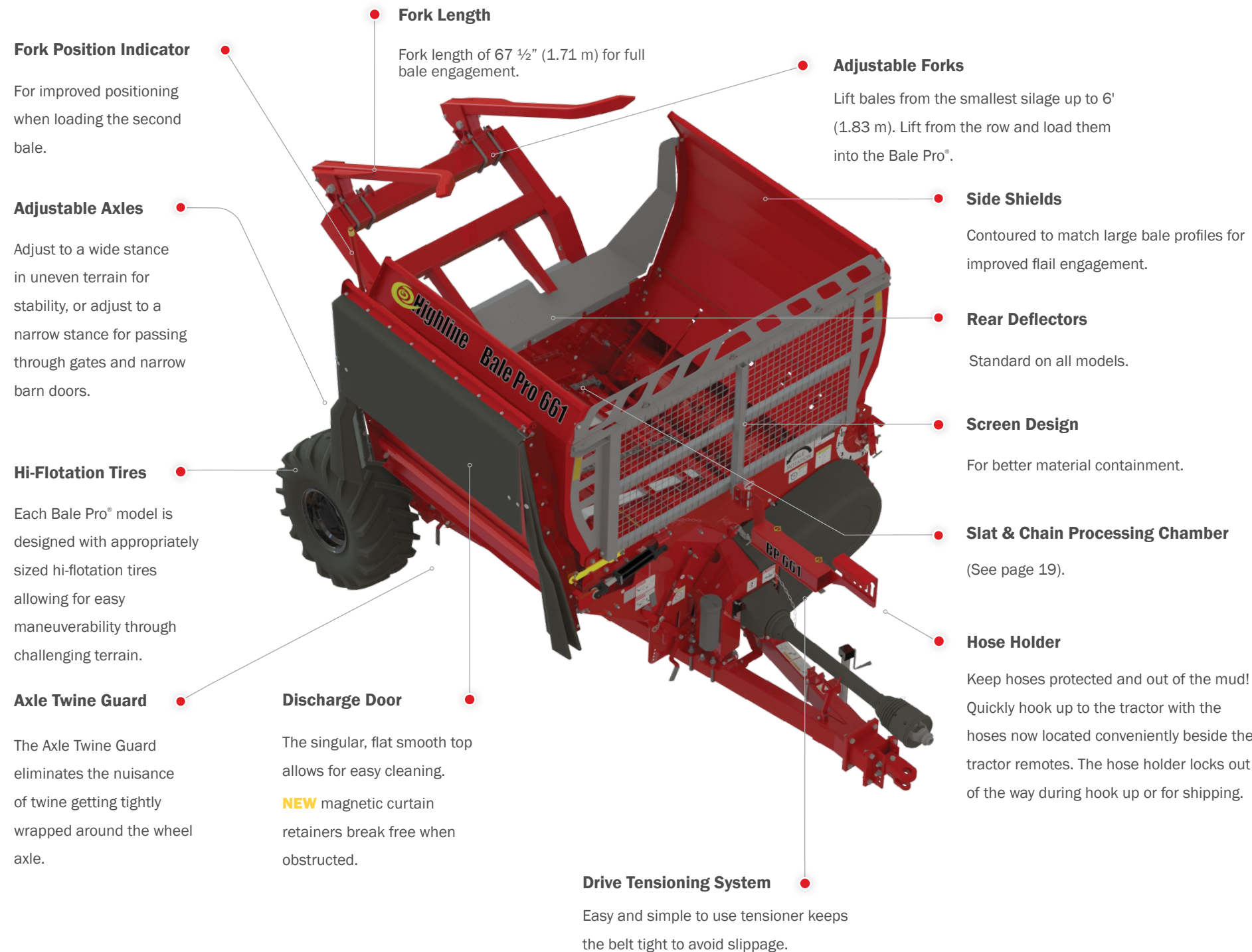
**1 Guard Rods**      **2 Adjustable Aggression**      **3 Slat & Chain Feeder**

Guard rods are designed for uniform processing from beginning to end.

Bales can be processed more or less aggressively depending on your needs. Processing can be set in a range of 1-5, with 1 being the slowest and 5 being the fastest processing rate. Flails engage the bale from 1/8" up to 1 1/2" for faster processing.

The Highline® Slat & Chain feed system is designed utilizing durable 2080H chain with no central bearing on the feeder chain rollers.





**Fork Position Indicator**  
For improved positioning when loading the second bale.

**Fork Length**  
Fork length of 67 1/2" (1.71 m) for full bale engagement.

**Adjustable Forks**  
Lift bales from the smallest silage up to 6' (1.83 m). Lift from the row and load them into the Bale Pro®.

**Adjustable Axles**  
Adjust to a wide stance in uneven terrain for stability, or adjust to a narrow stance for passing through gates and narrow barn doors.

**Side Shields**  
Contoured to match large bale profiles for improved flail engagement.

**Rear Deflectors**  
Standard on all models.

**Hi-Flotation Tires**  
Each Bale Pro® model is designed with appropriately sized hi-flotation tires allowing for easy maneuverability through challenging terrain.

**Screen Design**  
For better material containment.

**Axle Twine Guard**  
The Axle Twine Guard eliminates the nuisance of twine getting tightly wrapped around the wheel axle.

**Discharge Door**  
The singular, flat smooth top allows for easy cleaning. **NEW** magnetic curtain retainers break free when obstructed.

**Slat & Chain Processing Chamber**  
(See page 19).

**Hose Holder**  
Keep hoses protected and out of the mud! Quickly hook up to the tractor with the hoses now located conveniently beside the tractor remotes. The hose holder locks out of the way during hook up or for shipping.

**Drive Tensioning System**  
Easy and simple to use tensioner keeps the belt tight to avoid slippage.

# BP 661 SPECIFICATIONS

	Base 661 Bale Pro®	Base 661 Bale Pro® with Feed Chopper™	Base 661 Bale Pro® with Grain Tank	Base 661 Bale Pro® with FC* & GT**
<b>PTO Minimum HP</b>	85 hp (64 kW)	125 hp (94 kW)	100 hp (75 kW)	125 hp (94 kW)
<b>PTO Recommended HP</b>	100 hp (75 kW)	140 hp (105 kW)	125 hp (94 kW)	140 hp (105 kW)
<b>Transport Width</b>	112" (2.84 m)	112" (2.84 m)	148 1/2" (3.77 m)	148 1/2" (3.77 m)
<b>Transport Height</b>	130 1/2" (3.31 m)	130 1/2" (3.31 m)	130 1/2" (3.31 m)	130 1/2" (3.31 m)
<b>Working Height Maximum</b>	152" (3.86 m)	152" (3.86 m)	152" (3.86 m)	152" (3.86 m)
<b>Length to End of Tires</b>	181" (4.60 m)	181" (4.60 m)	181" (4.60 m)	181" (4.60 m)
<b>Length to End of Forks Down</b>	230" (5.84 m)	230" (5.84 m)	230" (5.84 m)	230" (5.84 m)
<b>Discharge***</b>	Right Hand	Right Hand	Right Hand	Right Hand
<b>Weight</b>	5685 lb (2579 kg)	6430 lb (2917 kg)	6710 lb (3044 kg)	7465 lb (3386 kg)
<b>Tongue Weight (Unloaded)</b>	1935 lb (878 kg)	2175 lb (987 kg)	2280 lb (1034 kg)	2480 lb (1125 kg)
<b>Hydraulics</b>	3 Remote	3 Remote	3 Remote	3 Remote
<b>Driveline</b>	1000 rpm PTO 1 3/8" 21 Spline	1000 rpm PTO 1 3/8" 21 Spline	1000 rpm PTO 1 3/8" 21 Spline	1000 rpm PTO 1 3/8" 21 Spline
<b>Tires</b>	16.5L x 16.1	16.5L x 16.1	16.5L x 16.1	16.5L x 16.1
<b>Size of Bales</b>	Up to 6' (1.83 m) diameter	Up to 6' (1.83 m) diameter	Up to 6' (1.83 m) diameter	Up to 6' (1.83 m) diameter
<b>Discharge End Curtains, Top and Rear Deflectors</b>	Standard	Standard	Standard	Standard
<b>2 Hydraulic Remote</b>	Option	Option	Option	Option

\* FC - Feed Chopper  
\*\* Grain Tank capacity - 45 bushels (1587 L)

\*\*\* Right/left hand is determined by sitting in the tractor seat looking forward.

All weights and transport dimensions are estimates and are subject to change. While every effort has been made to ensure that the information is accurate/current at the time of production, all specifications are subject to change. If livestock is being fed, it is the operator's responsibility to ensure that the materials in the processed feed mix are suitable. Some of the wrapping material (twine, net wrap or other materials) may be discharged with the feed if the wrapping materials are not removed prior to processing.

For the latest product information, please visit: [www.highlinemfg.com](http://www.highlinemfg.com).

**BP 663 TOP GUN®**



# DELIVERING EFFECTIVE bedding solutions

The Highline® BP 663 TOP GUN® is a rugged, highly effective agricultural implement for bedding and feeding applications, as well as coverage solutions for environmental and land reclamation. It provides uniform coverage as it throws material up to 80 feet (24.3 meters)\*, or feeds by gently dropping a windrow from its side discharge.

*\* Contingent on environmental and operating conditions.*

**PRECISION**  
feeding



**Rear Deflectors**

Adjustable for round or square bales.

**Twine Sickle™ (optional)**

Effectively cut the twine on square bales. See pages 32-33.

**Fork Design**

Ability to load round or square bales!

**Dual Feed Roller Processing Chamber**

(See page 13).

**Hi-Flotation Tires**

Each Bale Pro® model is designed with appropriately sized hi-flotation tires allowing for easy maneuverability through challenging terrain.

**Easily Maneuvered, High Discharge Chute**

Allows you to distribute product to the right or the left of the machine.

AR400 wear resistant material.

**Large, Durable Fan and Auger Assembly**

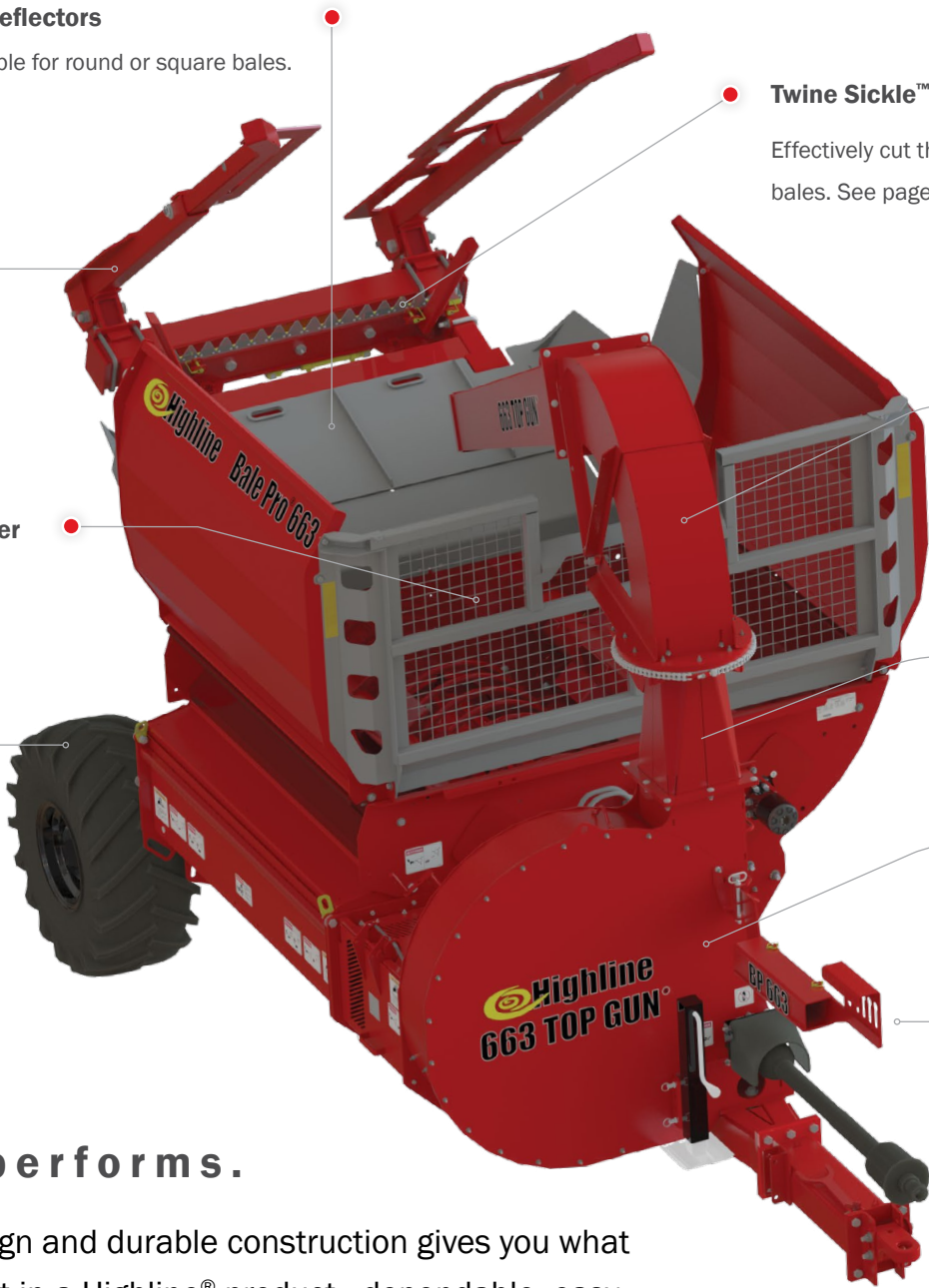
(See page 25).

**Hose Holder**

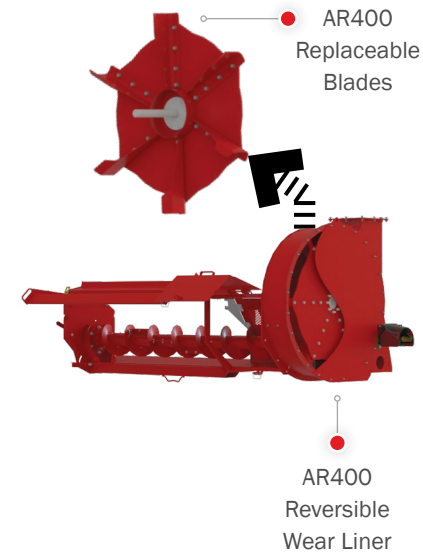
Keep hoses protected and out of the mud! Quickly hook up to the tractor with the hoses now located conveniently beside the tractor remotes. The hose holder locks out of the way during hook up or for shipping.

# DESIGN that out performs.

The unique, simple design and durable construction gives you what you have come to expect in a Highline® product - dependable, easy operation with minimal maintenance and a long life.



**Large, Durable Fan and Auger Assembly**

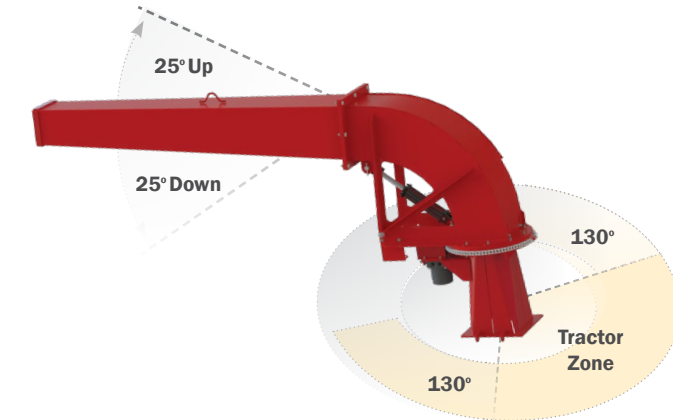


**Twine Sickle™ (optional)**

Effectively saw the twine on square bales. See page 32-33.



**The Far Reach Advantage**



Easily and accurately position the discharge chute from the tractor cab for accurate placement of feed or bedding. With a wide range of motion (chute rotates 130 degrees left and 130 degrees right, as well as 25 degrees up and down), the discharge chute (84" (2.13 m) long, 11' (3.35 m) high nozzle) can be directed to throw material up to 80' (24.3 m)\*.

*NOTE: Right/Left hand is determined by sitting in the tractor seat looking forward.*

*\* contingent on environmental and operating conditions.*

**Curved Discharge Chute with End Deflector (optional)**



**Joystick Control (optional)**

The joystick control option is an easy to use single remote control for all functions including bale load, bale rotation and discharge chute control both horizontally and vertically. This option results in less operator fatigue with very little effort to perform all hydraulic functions of the machine.



**The Most Efficient Way to Put Out Bedding. Never Open a Gate Again.**

How many times has an open gate ended with chasing cattle back into the pen? Frustration, lost time and potentially dangerous situations are all something that producers want to avoid, and now can with the Highline® TOP GUN®. With the 11' (3.35 m) high nozzle, the TOP GUN® can easily reach over the top of bunks and fences to blow straw into pens to bed cattle.

The TOP GUN® makes feeding and bedding a quick and comfortable process for both the cattle and yourself.



# TOP GUN® SPECIFICATIONS

<b>PTO Recommended HP</b>	165 hp (124 kW)
<b>Transport Width</b>	108 ½" (2.75 m)
<b>Transport Height</b>	139 ½" (3.54 m)
<b>Working Height Maximum (Forks Extended)</b>	190" (4.83 m)
<b>Length to End of Tires</b>	203 ½" (5.16 m)
<b>Length to End of Forks Down (Extended)</b>	306" (7.77 m)
<b>Weight</b>	8485 lb (3849 kg)
<b>Tongue Weight (Unloaded)</b>	2815 lb (1277 kg)
<b>Discharge</b>	Left/Center/Right
<b>Hydraulics</b>	3 Remote
<b>Driveline</b>	1000 PTO 1 ⅜" 21 Spline with over-running clutch

<b>Tires</b>	16.5L x 16.1
<b>Max. Size of Bales Round</b>	6' x 6' (1.83 x 1.83 m)
<b>Square</b>	4' x 4' x 8' (1.2 x 1.2 x 2.4 m)
<b>Top Deflectors</b>	Standard
<b>Rear Deflector</b>	Extendable
<b>Rear Facing Lights</b>	Option
<b>Discharge Deflector Door</b>	Option
<b>Discharge End Curtains</b>	Option
<b>2 Hydraulic Remote</b>	Option
<b>Twine Sickle™</b>	Option
<b>Hydraulic Aggression Control</b>	Option

*All weights and transport dimensions are estimates and are subject to change.*

*While every effort has been made to ensure that the information is accurate/current at the time of production, all specifications are subject to change.*

*If livestock is being fed, it is the operator's responsibility to ensure that the materials in the processed feed mix are suitable. Some of the wrapping material (twine, net wrap or other materials) may be discharged with the feed if the wrapping materials are not removed prior to processing.*

*For the latest product information, please visit: [www.highlinemfg.com](http://www.highlinemfg.com).*

# BP 965 BALE PRO®



## REAL flexibility

Ideal for feeding and bedding - the BP 965 Bale Pro® offers all of the proven design features found on the Highline® Bale Pro® series with the added flexibility to process round or square bales as desired...as well as other beneficial design features like a 9' (2.74 m) flail drum which increases processing rate.

PRECISION  
feeding



# SIMPLE

Design.



Loads large square bales lengthwise.

## ROUND OR SQUARE . . IT DON'T CARE!

### Adjustable forks for round or square bales:

The low profile fork cradles easily slide under the square bale allowing a single bale to be loaded without backing while the high outer edges account for misalignment by funneling the bale in between the two forks.

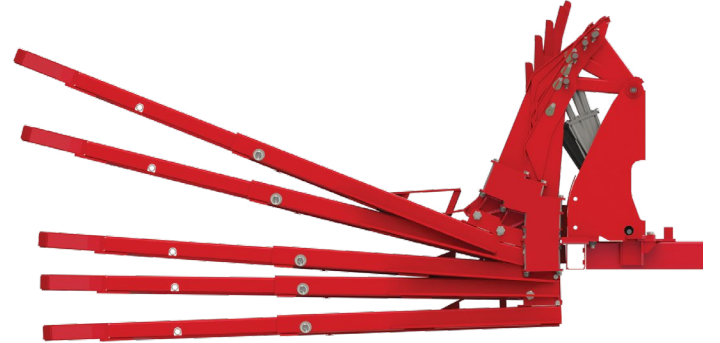
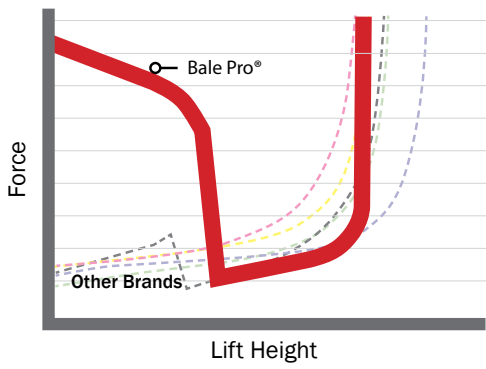
Loading rounds from a tight row? Simply pull a pin on each fork to collapse the extensions, allowing you to load without contacting the bale behind.

# EXTREME

Lifting Power.

With the highest breakout force in the industry, the Highline® Vertical Lift design allows you to release even the most stubbornly frozen bales from the ground with ease. Also, because the bale is lifted straight up off of the ground, the scrubbing action against the bale stack is minimized, reducing bale damage and waste.

## Lift Capacity



# EFFICIENT LENGTHWISE PROCESSING

of Square Bales.

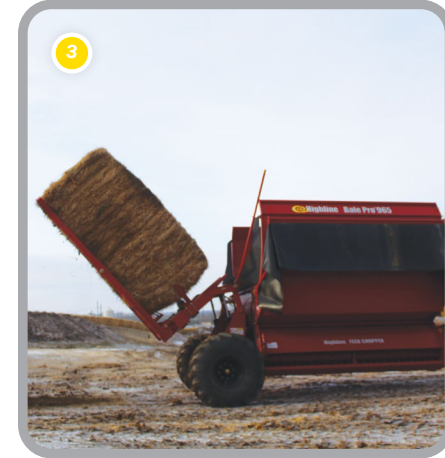
One of the challenges of processing square bales is maintaining both a high loading efficiency AND high processing efficiency (the competition fails to deliver on either one or the other). The BP 965 Bale Pro® capable of processing a 4' x 4' x 9' \*\* (1.2 x 1.2 x 2.7 m) bale in minutes! The Twine Sickle™ Bale Prepping System on the BP 965 helps with this efficiency.\*



The vertical bale lift is a 2 stage lift system where the first stage of the process lifts the bale straight off of the ground. Little space is required to accommodate this design.



The bale is lifted.



The bale is aligned with the flail drum for efficient processing.



The Twine Sickle™ cuts the twine and the bale is dropped loosely into the tub (the loose consistency helps with uniform processing).

\*Bale processing times are contingent on bale type, aggression setting and tractor horsepower.  
 \*\*Forages may react differently when the twine pressure is removed.





**HOW IT WORKS:**

As the square bale is lifted, it slides down into the cutting bar where its weight engages the Twine Sickle™ sections. A hydraulic cylinder is actuated from the cab which slides the sections through the end of the bale and cuts the twine, prior to dumping the bale in the processing chamber. The cutting of the twine prior to loading the bale in the tub results in faster processing.

**EASILY CUT THROUGH TWINE**  
WITH THE TWINE SICKLE™ BALE PREPPING SYSTEM  
(for square bales)

The Twine Sickle™ - The Bale Prepping System uses the weight of the square bale to effectively cut the twine prior to processing.

### Fork Position Indicator

For improved positioning when loading the second bale.

### Twine Sickle™

Effectively cut the twine on square bales. See pages 32-33.

### Adjustable Axles

Adjust to a wide stance in uneven terrain for stability, or adjust to a narrow stance for passing through gates and narrow barn doors.

### Hi-Flotation Tires

Each Bale Pro® model is designed with appropriately sized hi-flotation tires allowing for easy maneuverability through challenging terrain.

### Axle Twine Guard

The Axle Twine Guard eliminates the nuisance of twine getting tightly wrapped around the wheel axle.

### Discharge Door

The singular, flat smooth top allows for easy cleaning.

**NEW** magnetic curtain retainers break free when obstructed.

### Motor Protection Valve

Reduces pressure spikes increasing the motor life and durability.

### Fork Design

Adjustable length fork design for round or square bales.

### Rear Deflectors

Standard on all models.

### Screen Design

For better material containment.

### Dual Feed Roller Processing Chamber

(See page 13).

### Hose Holder

Keep hoses protected and out of the mud! Quickly hook up to the tractor with the hoses now located conveniently beside the tractor remotes. The hose holder locks out of the way during hook up or for shipping.

## BP 965

# SPECIFICATIONS

	Base 965 Bale Pro®	Base 965 Bale Pro® with Feed Chopper™	Base 965 Bale Pro® with Grain Tank	Base 965 Bale Pro® with FC* & GT**
<b>PTO Minimum HP</b>	100 hp (75 kW)	140 hp (105 kW)	100 hp (75 kW)	140 hp (105 kW)
<b>PTO Recommended HP</b>	115 hp (86 kW)	165 hp (122 kW)	125 hp (94 kW)	165 hp (122 kW)
<b>Transport Width</b>	112" (2.84 m)	112" (2.84 m)	141 ½" (3.59 m)	141 ½" (3.59 m)
<b>Transport Height</b>	136" (3.45 m)	136" (3.45 m)	136" (3.45 m)	136" (3.45 m)
<b>Working Height Maximum</b>	189 ½" (4.81 m)	189 ½" (4.81 m)	189 ½" (4.81 m)	189 ½" (4.81 m)
<b>Length to End of Tires</b>	210" (5.33 m)	210" (5.33 m)	210" (5.33 m)	210" (5.33 m)
<b>Length to End of Forks Down</b>	302" (7.67 m)	302" (7.67 m)	302" (7.67 m)	302" (7.67 m)
<b>Discharge***</b>	Right Hand	Right Hand	Right Hand	Right Hand
<b>Hydraulics</b>	3 Remote	3 Remote	3 Remote	3 Remote
<b>Driveline</b>	1000 rpm PTO 1 ¾" 21 Spline	1000 rpm PTO 1 ¾" 21 Spline	1000 rpm PTO 1 ¾" 21 Spline	1000 rpm PTO 1 ¾" 21 Spline
<b>Weight</b>	7375 lb (3345 kg)	8390 lb (3806 kg)	8480 lb (3847 kg)	9495 lb (4307 kg)
<b>Tongue Weight (Unloaded)</b>	2400 lb (1088 kg)	2760 lb (1252 kg)	2715 lb (1232 kg)	3070 lb (1393 kg)
<b>Tires</b>	16.5L x 16.1	16.5L x 16.1	16.5L x 16.1	16.5L x 16.1
<b>Max. Size of Bales</b>				
<b>Round</b>	6' (1.83 m)	6' (1.83 m)	6' (1.83 m)	6' (1.83 m)
<b>Square</b>	4' x 4' x 9" (1.2 x 1.2 x 2.7 m)	4' x 4' x 9" (1.2 x 1.2 x 2.7 m)	4' x 4' x 9" (1.2 x 1.2 x 2.7 m)	4' x 4' x 9" (1.2 x 1.2 x 2.7 m)
<b>Twine Sickle™, Discharge End Curtains, Top and Rear Deflectors</b>	Standard	Standard	Standard	Standard
<b>2 Hydraulic Remote</b>	Option	Option	Option	Option

\* FC - Feed Chopper

\*\* Grain Tank capacity - 45 bushels (1587 L)

\*\*\* Right/left hand is determined by sitting in the tractor seat looking forward.

All weights and transport dimensions are estimates and are subject to change.

While every effort has been made to ensure that the information is accurate/current at the time of production, all specifications are subject to change.

If livestock is being fed, it is the operator's responsibility to ensure that the materials in the processed feed mix are suitable. Some of the wrapping material (twine, net wrap or other materials) may be discharged with the feed if the wrapping materials are not removed prior to processing.

For the latest product information, please visit: [www.highlinemfg.com](http://www.highlinemfg.com).

 **Highline**  
MANUFACTURING



**TEAM**   
**Highline**

# the Bale Pro<sup>®</sup> MODULAR SYSTEM

1

## THE Base Bale Pro<sup>®</sup>

Highline<sup>®</sup> Bale Pros<sup>®</sup> aggressively spin and loosen the bale for uniform feeding into the flail processing chamber, allowing for range or bunk feeding.

2

## Feed Chopper<sup>™</sup>

The Highline<sup>®</sup> Feed Chopper<sup>™</sup> is a secondary processing option that allows you to produce a consistent, shorter cut length; the shorter cut length creates a more consistent feed output and gets rid of long stems.

3

## Grain Tank

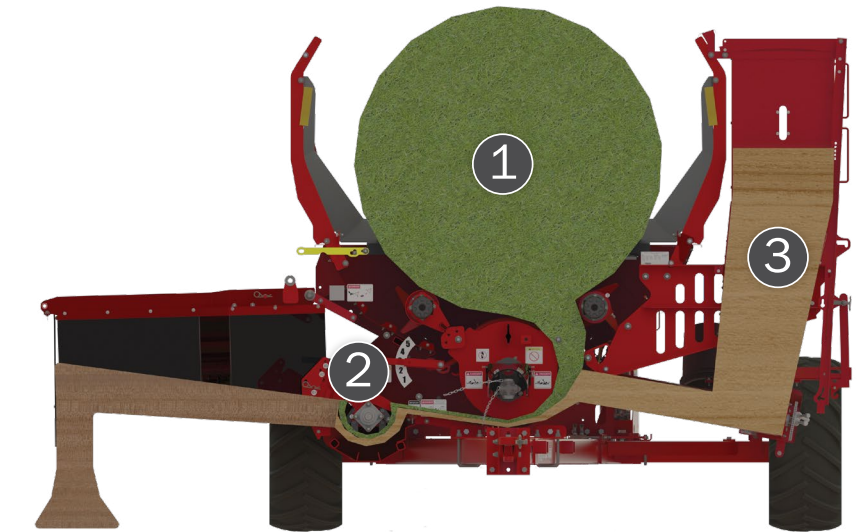
The hydraulically driven Grain Tank boasts a 45 bushel (1587 l) tank. The grain is inserted, rather than dropped onto the forage resulting in an evenly mixed feed ration.

The Bale Pro<sup>®</sup> modular system adds flexibility to your Bale Pro<sup>®</sup> system allowing you to add components as your operation requirements shift.

Bale Pro<sup>®</sup>  
= **BP**

**How the BP System Impacts the Bottom Line - Analyze The Numbers**  
The Bale Pro<sup>®</sup> System:

- Reduces the labor requirements to provide proper nutrition. This provides the greatest benefits at calving season—no chop pails or rolled grain wagons, no necessity for 2 operators and 2 tractors.
- Eliminates the cost to own or rent a tub grinder.
- Eliminates waste from spoilage of batch processing.
- Ability to run bedding through the Feed Chopper<sup>™</sup> increases absorption in various indoor applications.



\*looking from the front of the Bale Pro<sup>®</sup>

- ① The bale is processed.
- ② The Feed Chopper<sup>™</sup> slices processed forage, cracks grain and blends the mix into a ration.
- ③ Metered grain is inserted into the feed stream.

1

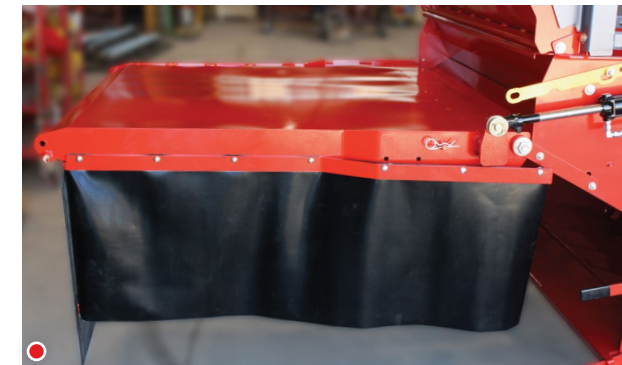
# the BASE BALE PRO®

BP 660 / BP 661 / BP 663 TOP GUN® / BP 965



Highline's Bale Pros® chop and mix round or square bales (model dependent), reducing sorting and waste.

## The Bale Pro® advantages:



### Discharge Door

Accommodate a wide range of bunks or windrowing with this lengthened, one piece discharge door.



### Extremely Durable Construction

The durable, 6 X 4 A-Frame design and continuous tube structure of all Bale Pros® handles heavy loads. The continuous frame member eliminates weld stress points when operating in harsh environments.



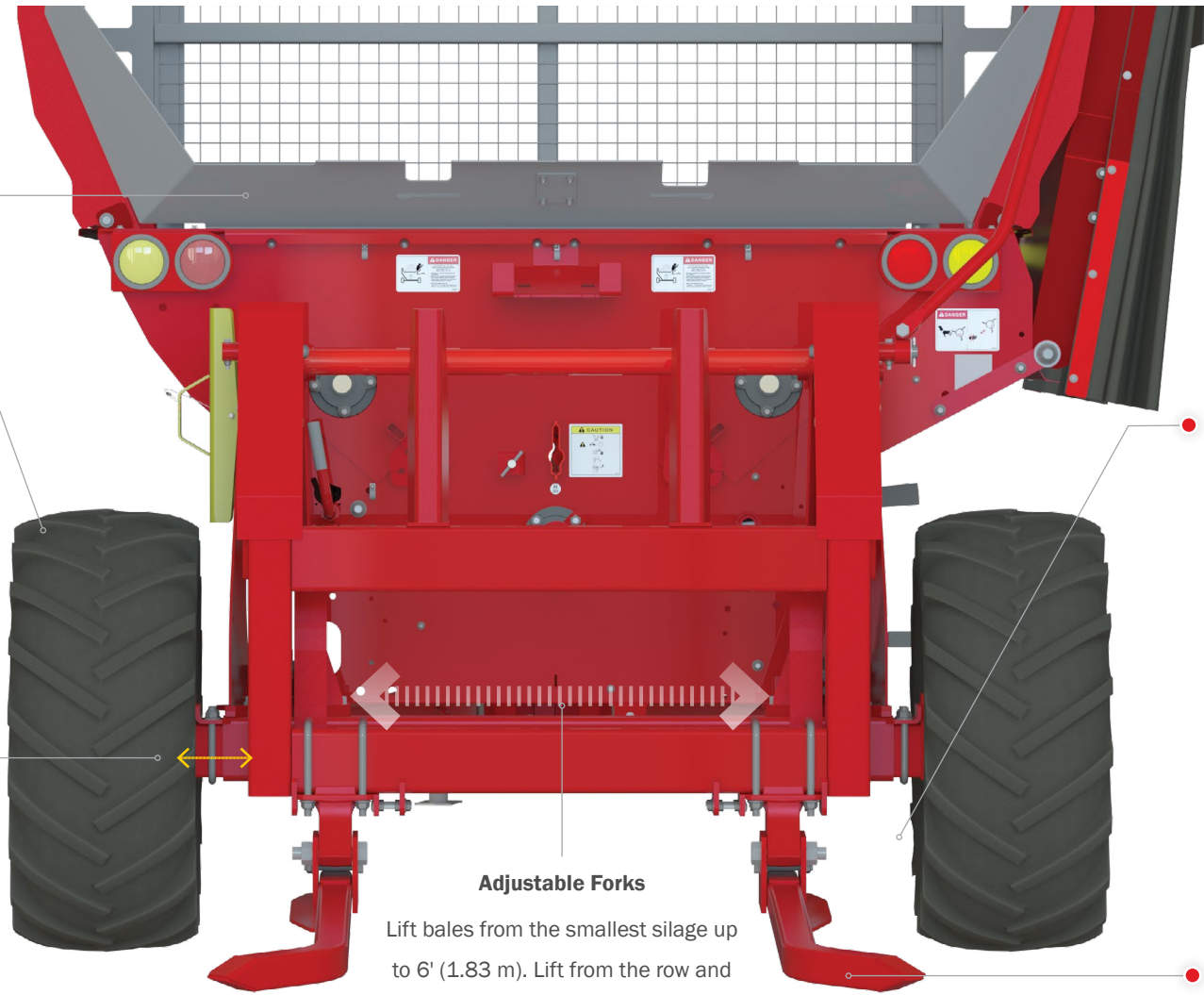
### 2 Stage Bale Lift

The 2 stage vertical lift reduces the bale being lifted from "scrubbing" on the bales in the bale stack, as well as eliminates the need to clutch the tractor between bales.

1

# the BASE BALE PRO®

BP 660 / BP 661 / BP 663 TOP GUN® / BP 965



### Rear Deflectors

Standard on all models.

### Hi-Flotation Tires

Each Bale Pro® model is designed with appropriately sized hi-flotation tires allowing for easy maneuverability through challenging terrain.

### Adjustable Axles

Adjust to a wide stance in uneven terrain for stability, or adjust to a narrow stance for passing through gates and narrow barn doors.

### Adjustable Forks

Lift bales from the smallest silage up to 6' (1.83 m). Lift from the row and load them into the Bale Pro®.

### Axle Twine Guard



The Axle Twine Guard eliminates the nuisance of twine getting tightly wrapped around the wheel axle.

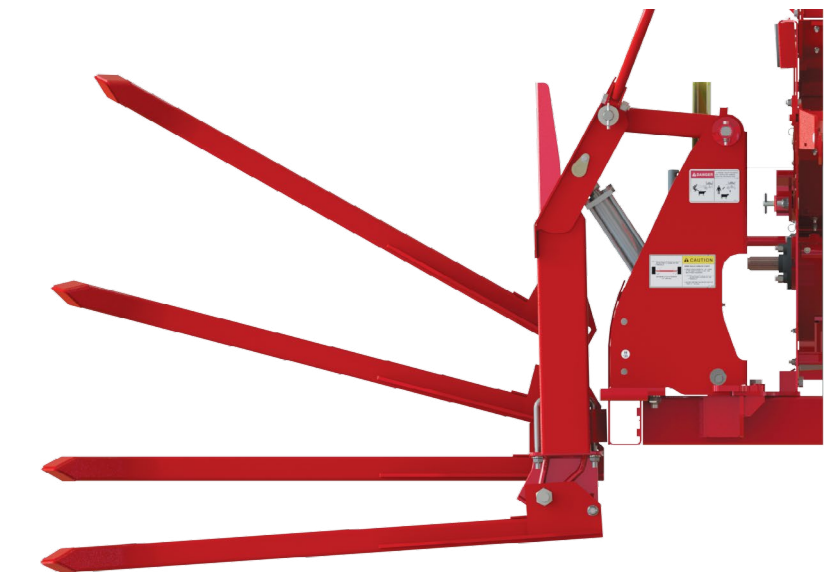
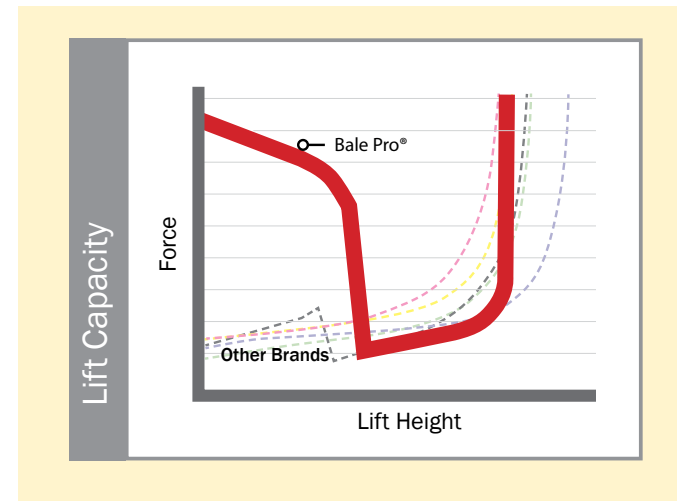
### Fork Length

Fork length of 67 1/2" (1.71 m) for full bale engagement.

## Vertical Bale Lift

The Bale Pro® vertical bale lift has the highest breakout force of any bale processor on the market today. This force allows you to easily remove bales that are frozen to the ground. Vertical lift reduces the bale being lifted from "scrubbing" on the bales in the bale stack, as well as eliminates the need to clutch the tractor between bales.

The vertical bale lift is a 2 stage lift system where the first stage of the process lifts the bale straight off of the ground. Little space is required to accommodate this design. The competitors lack the 2 stage system. On competitors' systems, the bale rotation into the tub is started immediately resulting in limited force, as well as the need to pull ahead when loading a bale from a stack.



# 1 the BASE BALE PRO®

BP 660 / BP 661 / BP 663 TOP GUN® / BP 965



The image above shows what happens when feed is not placed in a windrow. Instead of standing and eating, the cattle wander around trampling and wasting valuable feed, as well as consuming additional energy.

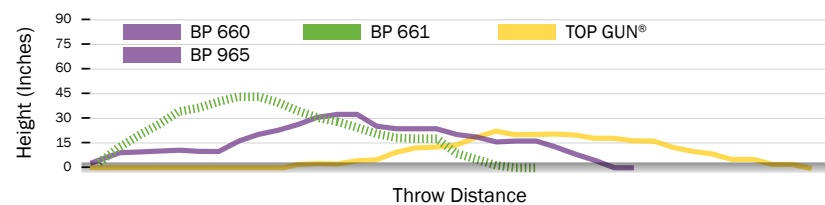
**Hydraulic Discharge Door.**  
The hydraulically operated discharge door “contains” the outputted material in a high, uniform mound. This high mound reduces the amount of sorting the cattle will do, and also deters excess walking and wasting of valuable energy.



## Feeding in the Field.

Feeding cattle in a bunk or a windrow in the field reduces corral cleaning costs in spring; as well, the nutrients from the manure benefit the field biology.

## Bedding Profiles of Highline Bale Pros®



The graph on the left represents the bedding profiles of each of the different Highline® Bale Pros® in ideal conditions (*reaching maximum height and distance*). The results were taken while each Bale Pro® was stationary with each Bale Pro® processing one complete round bale. (*While feed and weather conditions can alter these measurements, the general pattern of each Bale Pro® remains consistent.*)

## Efficient Processing

The Bale Pro® allows you to do double-duty; process one bale while carrying another on the forks. This saves time by allowing for continued operation before having to load again.

Loading bales is a simple one person operation from the comfort of the tractor cab.

## Even Bedding

Create an even and lofty spread using a Highline® Bale Pro®. Quality bedding is produced while using less straw, saving on input costs.

2

# the FEED CHOPPER™

BP 660 / BP 661 / BP 965



## The Feed Chopper™

The Feed Chopper™, exclusively from Highline®, is a secondary processing option to create shorter cut lengths. Rather than stationary knives that pulverize or drag leaves off of stems, the Highline® Feed Chopper™ truly slices through the hay creating an optimal consistency. The Feed Chopper™ is a great alternative to tub grinders.



**a** **Feed Chopper™ Blades**

The Feed Chopper™ is designed with 128 blades spinning at 3,000 rpm to provide a uniform blend of shorter cut lengths of roughage. The blades are sharpened on both sides; if a blade is worn out or damaged, simply flip the blade over for a sharpened edge.

**b** **Spring Tensioner**

The spring tensioner has a wide setting range and this ensures adequate tension on the belt throughout its life. It is a maintenance free design, simply check the tension sight window to verify it's within operating conditions and go!

**Additional Benefits**

Finished feeding and need to bed? The Feed Chopper™ can be easily disengaged and your throw profile adjusted by simply removing the 2 hair pins on either side of the Feed Chopper™ and adjusting the angle of the deflector pan for bedding purposes.

► **Improves Whole Plant Intake**

Chopping reduces particle size of the whole plant improving intake of the stem portion. This is the part cows and sheep sort against. The efficiency of forage utilization improves, reducing the amount of forages for winter feeding the herd.

► **Reduces Waste While Increasing Palatability**

Cattle have preferences in what they eat. For example, longer coarse feed and low quality hay may have adequate nutritional value, but are not eaten, creating feed waste. By chopping low quality hay, intake of feed is increased, cattle will clean up the windrow or feed bunks.

► **Minimizes Sorting**

Consistent shorter cut length hay from the Feed Chopper™ ensures cattle do not sort different length material or grain. Now full feed utilization can occur while the cattle are eating the intended rations.

► **Flexibility of Feed Types**

The Highline® Feed Chopper™ excels at cutting a wide range of bales including silage, corn or old straw bales. Feed sources can include: Corn Stover, Canola Straw, Green Feed, Alfalfa and Silage Bales, processed to an appropriate blend of cut lengths.

The Feed Chopper™ can be added as a field installed option to the BP 660, BP 661 and BP 965 Bale Pros®.



# 3 the GRAIN TANK

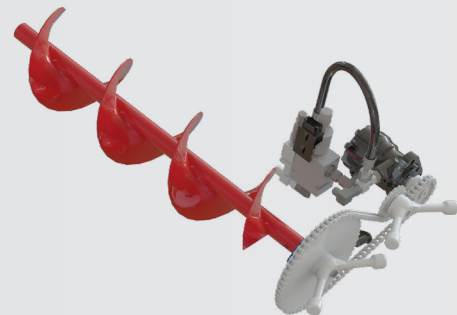
BP 660 / BP 661 / BP 965

The Grain Tank is a variable speed hydraulic drive feed system that allows for even and consistent flow.

Unique to bale processing, the Highline® metering system ensures uniform mixes each and every time...regardless of feed conditions! Even distribution of grain or pellets within the hay is critical to ensure a good combined feed mix. Because cattle prefer grain to hay, they will sort out the grain and leave the hay if possible. The hydraulic drive feed system inserts the grain directly into the hay stream (as opposed to placing it on top) ensuring an optimal mix. Feeding grain is critically important to cattle in cold weather, backgrounding and during the final stages of gestation. Proper nutrition is required if the cattle body condition is to be maintained which relates directly to healthy calving and desired weight gains.

#### Auger

Hydraulic motor with ample power along with a proportional valve for precise rate control.



#### Axle

The speed sensor offsets in the rim keeping it away from mud & twine.



#### Hydraulic Drive Feed System

With no complex driveline, evenly distribute your grain or pellets.

## Grain Tank Features

### Controlling Rations

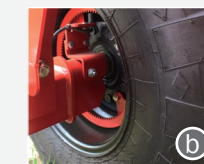
It is vital to ensure that the amount of grain added into a ration is controlled. The amount of grain components in the ration needs to match up with the rumen's ability to utilize the grains. Increasing the grain components too quickly can result in acidosis and the animals going off feed. The Highline® hydraulic drive feed system precisely distributes the grain or pellets into the hay or straw windrow.

The hydraulic drive feed system now allows for stationary processing with precise grain addition – perfect for pre-processing for wagon or mixer feeding!



#### Variable Speed Hydraulic Drive

Hydraulically driven metering can be instantly adjusted from the cab – no more distance meter or changing sprockets.



#### Electrical Ground Speed Sensing

No more complex auger driveline. Ground speed is determined from a speed sensor on the axle.



#### Gauge Windows

Easily view current grain levels through multiple gauge windows and confirm with the weight estimate on the display.



#### Tank Lid & Ladder

Large, 45 bushel (1587 L) tank with remote opener and a flip-down ladder to easily access the large 2' x 6' (.61 x 1.83 m) tank opening.



### Control System Display

Easily set your rate for any feeding scenario. Enter the output you want, the calibration value, and start feeding.

The Grain Tank can be added as a field installed option to the BP 660, BP 661 and BP 965 Bale Pros®.



YOUR LOCAL PROFESSIONAL HIGHLINE DEALER:



Printed in Canada - 06.22



Highway #27, PO Box 307  
Vonda, SK, Canada S0K 4N0

[www.highlinemfg.com](http://www.highlinemfg.com)