



Accessories for ECHO products can be found at:

Los accesorios para los productos ECHO se pueden encontrar en:

www.echo-usa.com/products/catalogs

PARTS CATALOG

WT-1610 Wheel Trimmer



160 cc

SERIAL NUMBER

NÚMERO DE SERIE

100WTB000001 - 100WTB999999

ECHO Incorporated

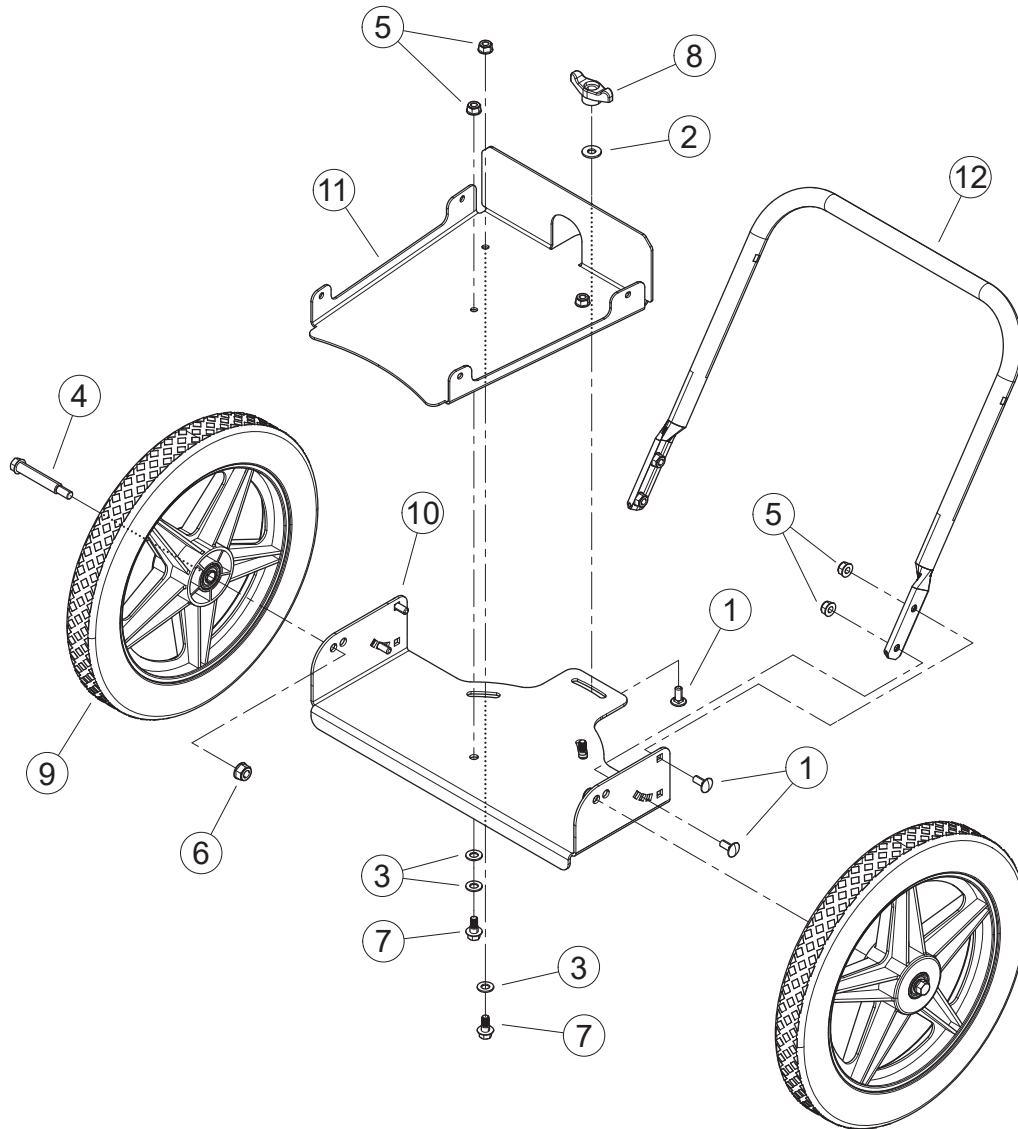
400 Oakwood Road, Lake Zurich, Illinois 60047

WWW.ECHO-USA.COM

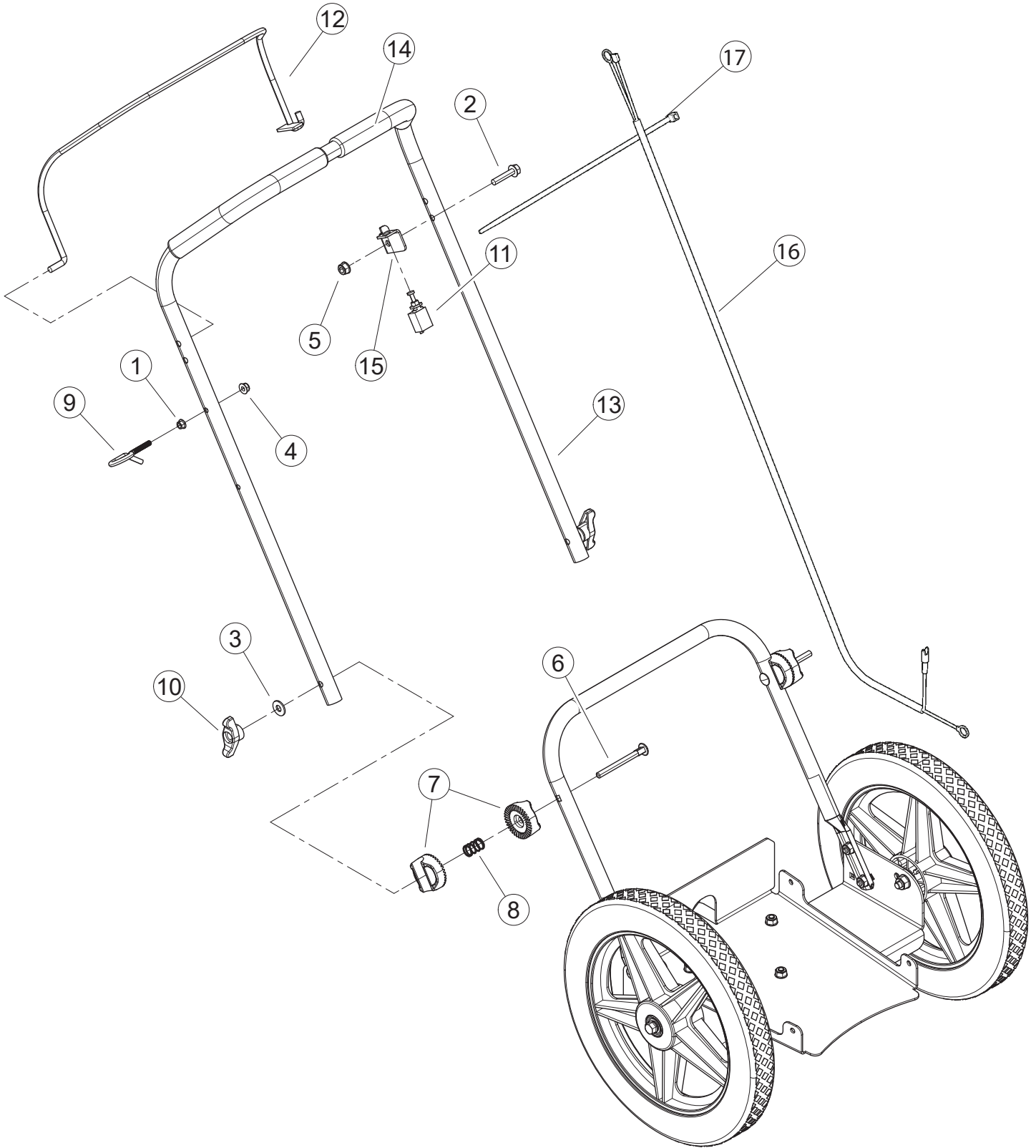
©2023 ECHO Incorporated. All Rights Reserved

P/N 99922205555
REVISED 01/23/23

| | |
|---|-----------|
| AXLE | 4 |
| HANDLE BAR | 5 |
| HANDLE BAR | 6 |
| HANDLE BAR | 7 |
| HANDLE BAR | 8 |
| BODY | 9 |
| BODY | 10 |
| DRIVE | 11 |
| DRIVE | 12 |
| DRIVE | 13 |
| DRIVE | 14 |
| Optional Accessories and Attachments | 15 |



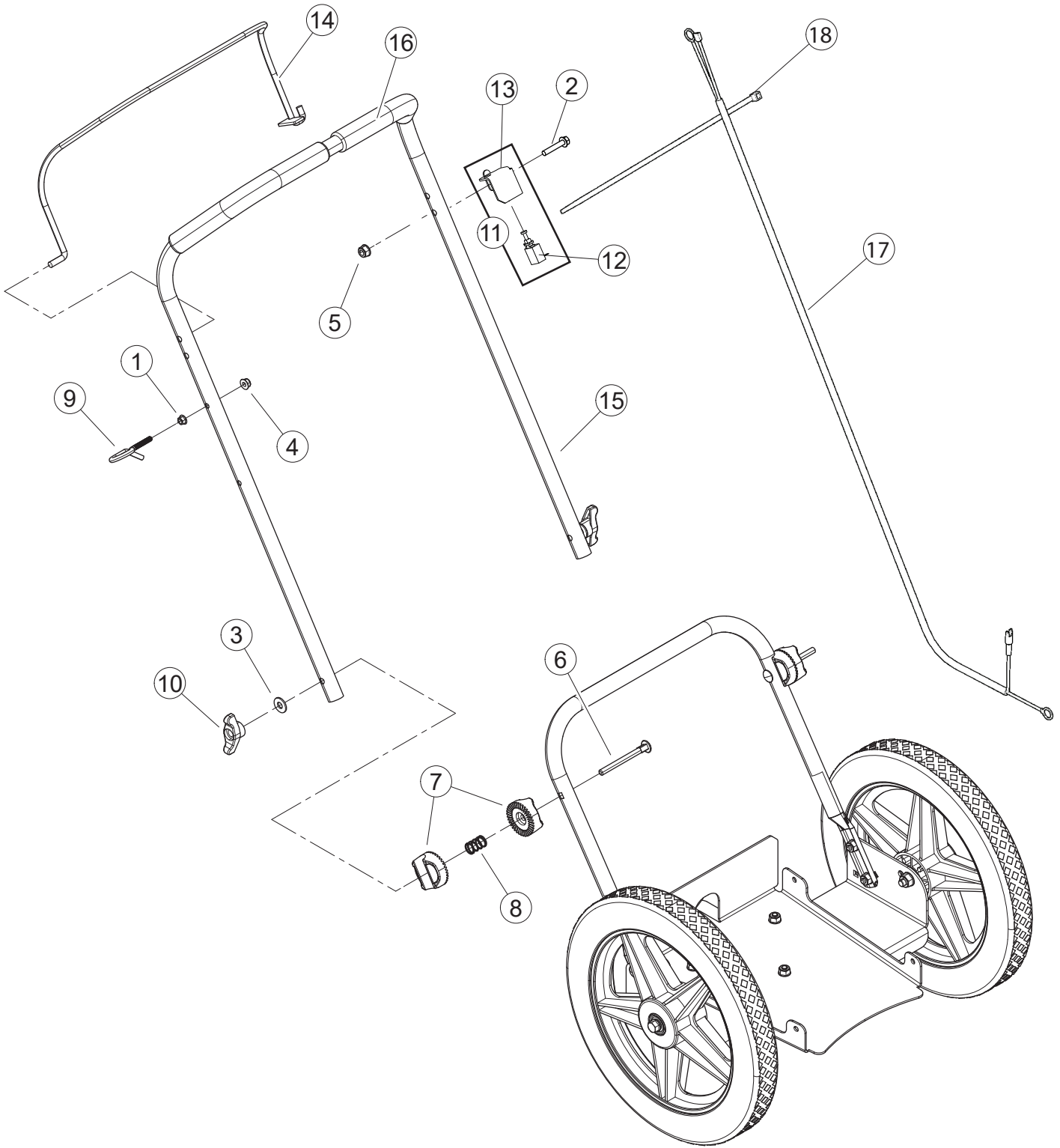
| ITEM | PART NUMBER | QTY | DESCRIPTION |
|------|-------------|-----|--|
| 1 | YH434000110 | 5 | BOLT, 5/16-18 x 3/4 SN GR5 CRG |
| 2 | YH451000440 | 1 | WASHER, 5/16 FLAT |
| 3 | YH451000490 | 4 | WASHER, NYLON .390 ID x .750 OD |
| 4 | YH434000140 | 2 | BOLT, 3/8-16 x 3-1/4 FLANGED SHOULDER |
| 5 | YH449000040 | 7 | NUT, 5/16-18 NYLOCK FLANGE |
| 6 | YH449000050 | 2 | NUT, 3/8-16 NYLOCK FLANGE |
| 7 | YH434000150 | 3 | BOLT, 5/16-18 x 3/4 ZP FLANGE SHOULDER |
| 8 | YH452000690 | 1 | KNOB, 5/16-18 FEEM TEE |
| 9 | YH478000070 | 2 | WHEEL, TRIMMER 15 x 1.75 |
| 10 | YH479000980 | 1 | PLATE, TRIMMER AXLE |
| 11 | YH479000990 | 1 | PLATE, TRIMMER BASE PUSH |
| 12 | YH466000160 | 1 | HANDLE BAR, LOWER TRIMMER PAINTED |



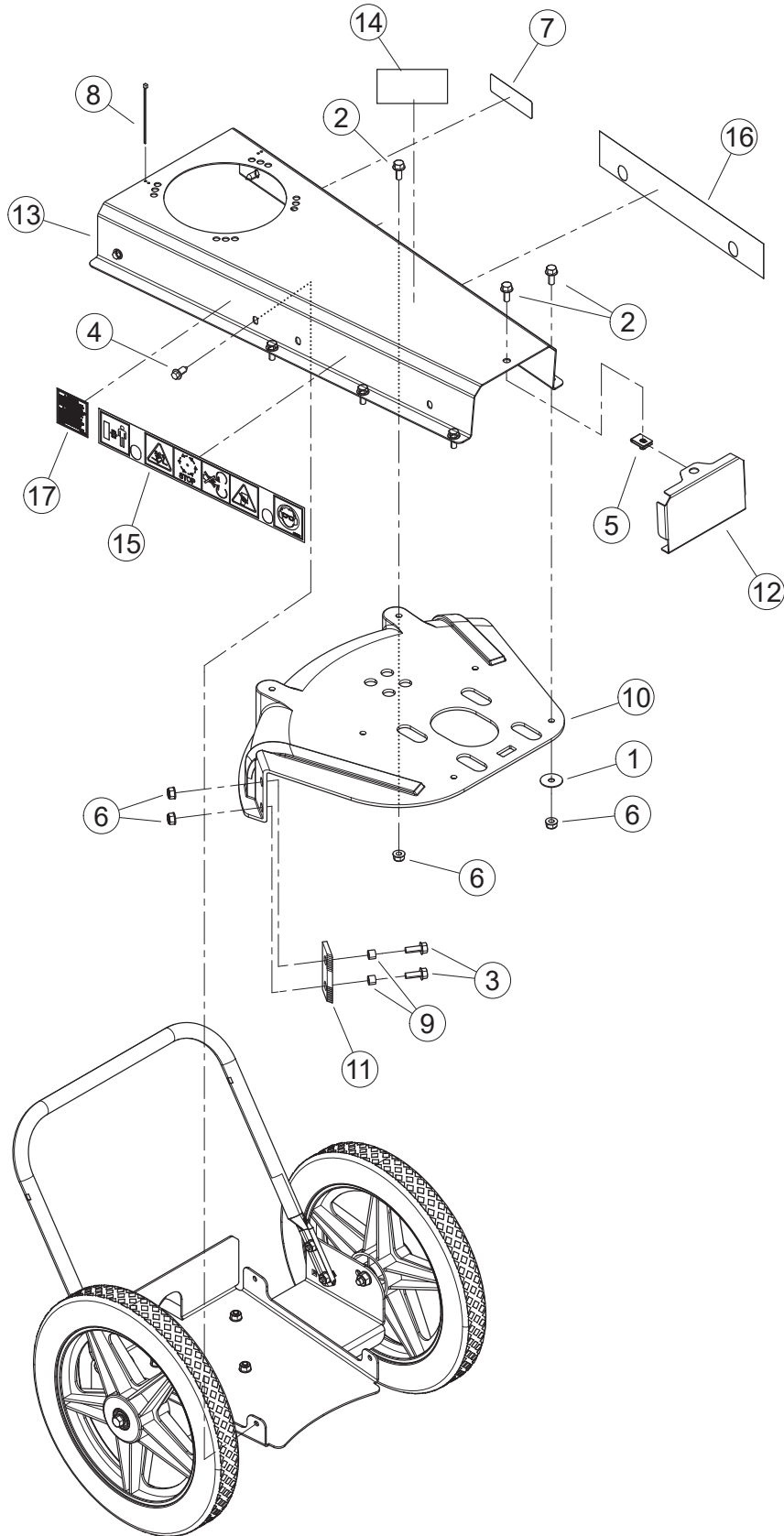
HANDLE BAR
Serial Number up to 100WTB008251



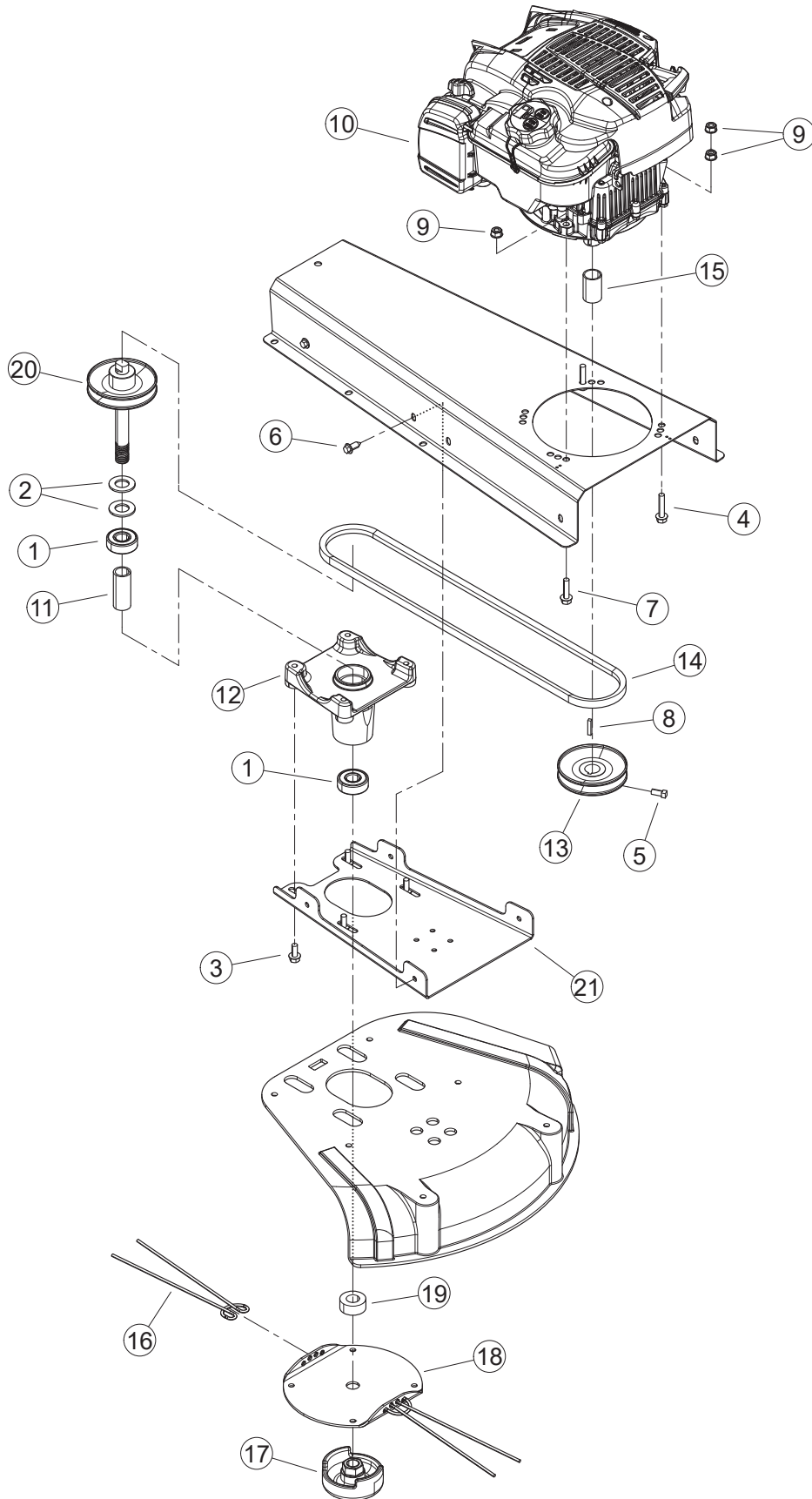
| ITEM | PART NUMBER | QTY | DESCRIPTION |
|------|-------------|-----|--|
| 1 | YH449000010 | 1 | NUT, 1/4"-20 SERRATED FLANGE NC ZP |
| 2 | YH436000060 | 1 | BOLT, 5/16 × 1-1/2 FLANGE NC |
| 3 | YH451000440 | 2 | WASHER, 5/16 FLAT |
| 4 | YH449000030 | 1 | NUT, 1/4-20 NYLOCK-FLANGE |
| 5 | YH449000040 | 1 | NUT, 5/16-18 NYLOCK-FLANGE |
| 6 | YH434000160 | 2 | BOLT, 5/16-18 × 3-1/2 LONG NECK GR5 CRG ZP |
| 7 | YH452000680 | 4 | RETAINER, HANDLE BAR ADJUSTMENT |
| 8 | YH476000180 | 2 | SPRING, RETAINER COMPRESSION |
| 9 | YH470000610 | 1 | GUIDE, RECOIL ROPE |
| 10 | YH452000690 | 2 | KNOB, 5/16-18 FEEM TEE |
| 11 | YH321000190 | 1 | SWITCH, ENGINE KILL |
| 12 | YH470000730 | 1 | ASSEMBLY, BAIL WT TRIMMERS |
| 13 | YH466000210 | 1 | ASSEMBLY, UPPER HANDLE BAR WITH GRIPS |
| 14 | YH466000150 | 2 | + PAD, FOAM HANDLE BAR |
| 15 | YH479001960 | 1 | BRACKET, KILL SWITCH |
| 16 | YH601000160 | 1 | HARNES, BRIGGS WT KILL SWITCH |
| 17 | - | - | STRAP, 11 IN BLACK TIE |



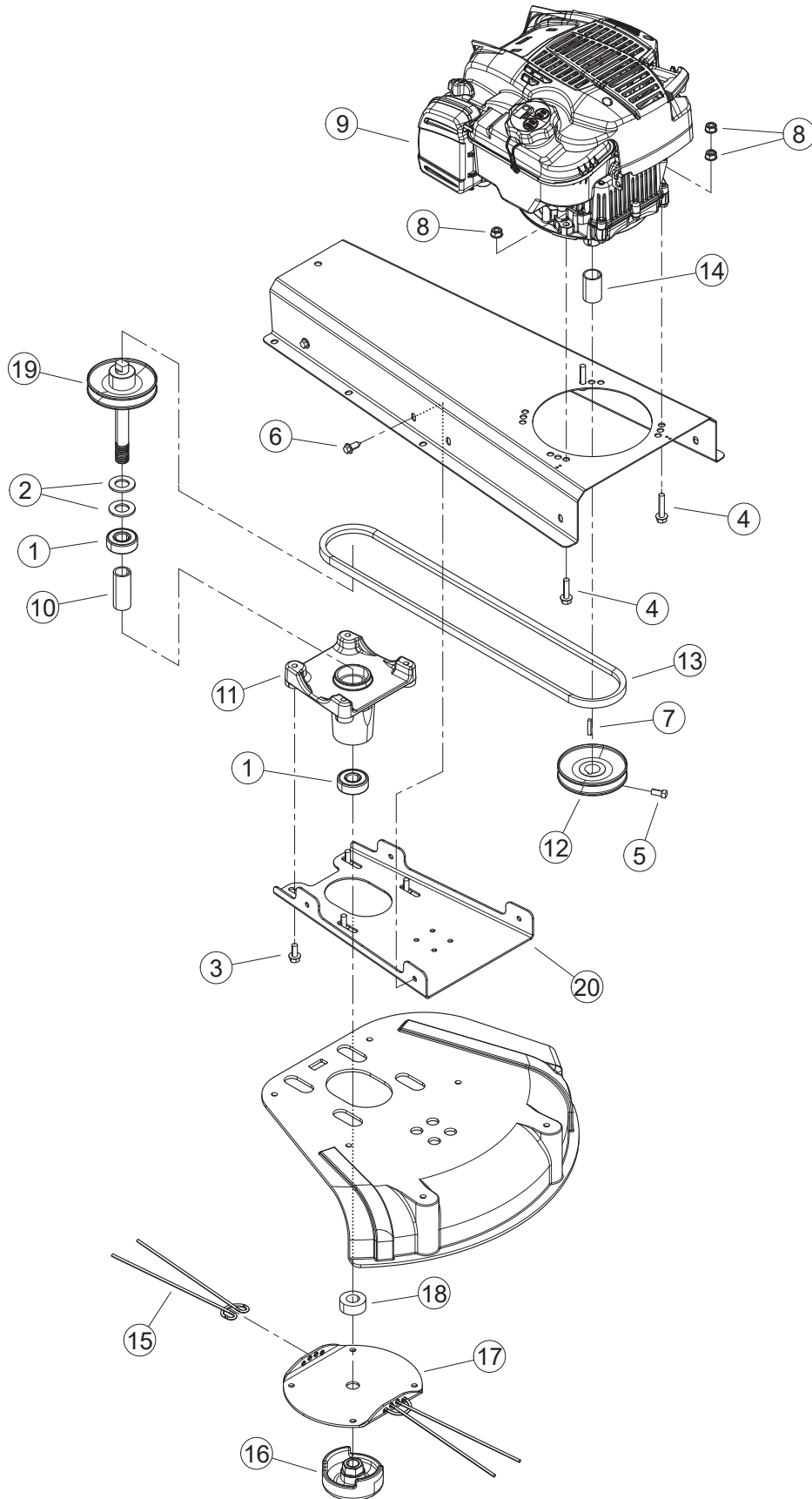
| ITEM | PART NUMBER | QTY | DESCRIPTION |
|------|-------------|-----|--|
| 1 | YH449000010 | 1 | NUT, 1/4"-20 SERRATED FLANGE NC ZP |
| 2 | YH436000060 | 1 | BOLT, 5/16 × 1-1/2 FLANGE NC |
| 3 | YH451000440 | 2 | WASHER, 5/16 FLAT |
| 4 | YH449000030 | 1 | NUT, 1/4-20 NYLOCK-FLANGE |
| 5 | YH449000040 | 1 | NUT, 5/16-18 NYLOCK-FLANGE |
| 6 | YH434000160 | 2 | BOLT, 5/16-18 × 3-1/2 LONG NECK GR5 CRG ZP |
| 7 | YH452000680 | 4 | RETAINER, HANDLE BAR ADJUSTMENT |
| 8 | YH476000180 | 2 | SPRING, RETAINER COMPRESSION |
| 9 | YH470000610 | 1 | GUIDE, RECOIL ROPE |
| 10 | YH452000690 | 2 | KNOB, 5/16-18 FEEM TEE |
| 11 | YH321000360 | 1 | BRACKET AND KILL SWITCH KIT |
| 12 | - | 1 | +SWITCH, ENGINE KILL |
| 13 | - | 1 | +BRACKET, WT KILL SWITCH |
| 14 | YH470000730 | 1 | ASSEMBLY, BAIL WT TRIMMERS |
| 15 | YH466000210 | 1 | ASSEMBLY, UPPER HANDLE BAR WITH GRIPS |
| 16 | YH466000150 | 2 | + PAD, FOAM HANDLE BAR |
| 17 | YH601000160 | 1 | HARNES, BRIGGS WT KILL SWITCH |
| 18 | - | - | STRAP, 11 IN BLACK TIE |



| ITEM | PART NUMBER | QTY | DESCRIPTION |
|------|-------------|-----|---|
| 1 | YH451000070 | 4 | WASHER, 5/16" FENDER ZP |
| 2 | YH436000010 | 7 | BOLT, 5/16 × 3/4 FLANGE NC |
| 3 | YH436000030 | 2 | BOLT, 5/16 × 7/8 FLANGE NC |
| 4 | YH428000000 | 4 | SCREW, 11/32-12 × 7/8 FLANGE T-AB |
| 5 | YH449000020 | 1 | NUT 5/16"-18 TINNEMAN U-TYPE |
| 6 | YH449000040 | 8 | NUT, 5/16-18 NYLOCK FLANGE |
| 7 | - | 1 | DECAL, SERIAL NUMBER |
| 8 | - | 1 | STRAP, 11 IN BLACK TIE |
| 9 | YH475000210 | 2 | SPACER, PLASTIC TRIMMER SHIELD |
| 10 | YH479000870 | 1 | SHIELD, TRIMMER |
| 11 | YH457000010 | 1 | KNIFE, RECTANGULAR SHREDDING |
| 12 | YH479001920 | 1 | COVER, METAL WHEELED TRIMMERS |
| 13 | YH479001930 | 1 | ASSEMBLY, BODY WITH DECALS (includes Items 14-17) |
| 14 | YH653000000 | 1 | +DECAL, MODEL ECHO WT-1610 |
| 15 | YH653000230 | 1 | +DECAL, SAFETY INFORMATION |
| 16 | YH653000240 | 1 | +DECAL, ECHO WT MAINTENANCE INFORMATION |
| 17 | YH653000290 | 1 | +DECAL, SPARK ARRESTOR |



| ITEM | PART NUMBER | QTY | DESCRIPTION |
|------|-------------|-----|------------------------------------|
| 1 | YH453000080 | 2 | BEARING, 3/4 BALL |
| 2 | YH451000390 | 2 | WASHER, 3/4" SAE FLAT ZP |
| 3 | YH436000010 | 4 | BOLT, 5/16 × 3/4 FLANGE NC |
| 4 | YH436000060 | 1 | BOLT, 5/16 × 1-1/2 FLANGE NC |
| 5 | YH426000000 | 2 | SCREW, 5/16-18 × 5/8 SQ HD SET |
| 6 | YH428000000 | 4 | SCREW, 11/32-12 × 7/8 FLANGE T-AB |
| 7 | YH436000120 | 2 | BOLT, 5/16 × 1-1/4 FLANGE NC |
| 8 | YH469000040 | 1 | KEY, 3/16" × 1.00" LG SQUARE |
| 9 | YH449000040 | 4 | NUT, 5/16-18 NYLOCK FLANGE |
| 10 | - | 1 | ENGINE, BRIGGS 163cc VERTICAL |
| 11 | YH475000200 | 1 | SPACER, TRIMMER SPINDLE |
| 12 | YH479000860 | 1 | CASTING, TRIMMER SPINDLE HUB |
| 13 | YH472000090 | 1 | PULLEY, ENGINE 4.0 × .875 B GROOVE |
| 14 | YH454000020 | 1 | BELT, AX48 |
| 15 | YH475000220 | 1 | SPACER, 1-1/16 OD × 14 GA × 1.630 |
| 16 | - | 2 | STRING, 20" × .155 DIA. CROSS-FIRE |
| 17 | YH457000060 | 1 | MOWBALL, CAST TRIMMER PAINTED |
| 18 | YH457000070 | 1 | DISK, TRIMMER HEAD |
| 19 | YH475000230 | 1 | SPACER, TRIMMER HEAD |
| 20 | YH472000110 | 1 | WELDMENT, SPINDLE |
| 21 | YH479001420 | 1 | PLATE, SPINDLE CASTING MOUNT |



| ITEM | PART NUMBER | QTY | DESCRIPTION |
|------|--------------|-----|------------------------------------|
| 1 | YH453000080 | 2 | BEARING, 3/4 BALL |
| 2 | YH451000390 | 2 | WASHER, 3/4" SAE FLAT ZP |
| 3 | YH436000010 | 4 | BOLT, 5/16 × 3/4 FLANGE NC |
| 4 | YH436000060 | 3 | BOLT, 5/16 × 1-1/2 FLANGE NC |
| 5 | YH426000000 | 2 | SCREW, 5/16-18 × 5/8 SQ HD SET |
| 6 | YH428000000 | 4 | SCREW, 11/32-12 × 7/8 FLANGE T-AB |
| 7 | YH469000040 | 1 | KEY, 3/16" × 1.00" LG SQUARE |
| 8 | YH449000040 | 4 | NUT, 5/16-18 NYLOCK FLANGE |
| 9 | - | 1 | ENGINE, BRIGGS 163cc VERTICAL |
| 10 | YH475000200 | 1 | SPACER, TRIMMER SPINDLE |
| 11 | YH4790000860 | 1 | CASTING, TRIMMER SPINDLE HUB |
| 12 | YH472000090 | 1 | PULLEY, ENGINE 4.0 × .875 B GROOVE |
| 13 | YH454000020 | 1 | BELT, AX48 |
| 14 | YH475000220 | 1 | SPACER, 1-1/16 OD × 14 GA × 1.630 |
| 15 | - | 2 | STRING, 20" × .155 DIA. CROSS-FIRE |
| 16 | YH457000060 | 1 | MOWBALL, CAST TRIMMER PAINTED |
| 17 | YH457000070 | 1 | DISK, TRIMMER HEAD |
| 18 | YH475000230 | 1 | SPACER, TRIMMER HEAD |
| 19 | YH472000110 | 1 | WELDMENT, SPINDLE |
| 20 | YH479001420 | 1 | PLATE, SPINDLE CASTING MOUNT |

| ITEM | PART NUMBER | QTY | DESCRIPTION |
|------|-------------|-----|--|
| 1 | 102225155 | 1 | 155 DIA, CROSS-FIRE® (50 COUNT / 21" STRIPS) |
| | 102225175 | 1 | 175 DIA, CROSS-FIRE® (50 COUNT / 21" STRIPS) |
| 2 | 314155056 | 1 | 155 DIA, CROSS-FIRE® (3 LB. SPOOL) |
| | 314175057 | 1 | 175 DIA, CROSS-FIRE® (3 LB. SPOOL) |
| 3 | 311155066 | 1 | 155 DIA, CROSS-FIRE® (1 LB. DONUT) |
| | 311175067 | 1 | 175 DIA, CROSS-FIRE® (1 LB. DONUT) |
| 4 | 99944400000 | 1 | KIT, PRO-LINE HEAD |
| 5 | 99944400001 | 1 | KIT, NO SPARK MOW BALL |
| 6 | YH460000220 | 1 | KIT, SPARK ARRESTER BRIGGS |



50 Count / 21" Strips
P/N: 102225175 Shown



3 lb. Spool
P/N: 314175057 Shown



1 lb. Donut
P/N: 311175067 Shown



Pro-Line Head Kit
P/N: 99944400000



No Spark Mow Ball Kit
P/N: 99944400001



Spark Arrester Briggs Kit
P/N: YH460000220