



---

**PARTS CATALOG**  
**99944200510**  
**Cultivator Attachment**

**PAS Attachment**

**Fits Models**

PAS-210	Pro Attachment Series
PAS-2100	Pro Attachment Series
PAS-211	Pro Attachment Series
PAS-225	Pro Attachment Series
PAS-230	Pro Attachment Series
PAS-231	Pro Attachment Series
PAS-2400	Pro Attachment Series
PAS-260	Pro Attachment Series
PAS-2601	Pro Attachment Series
PAS-261	Pro Attachment Series
PAS-265	Pro Attachment Series
SRM-2100SB	Split-Shaft Trimmer
SRM-2101SB	Split-Shaft Trimmer
SRM-210SB	Split-Shaft Trimmer
SRM-225SB	Split-Shaft Trimmer
SRM-2400SB	Split-Shaft Trimmer
SRM-260SB	Split-Shaft Trimmer
SRM-261SB	Split-Shaft Trimmer

**ECHO, INCORPORATED**

400 Oakwood Road Lake Zurich, Illinois 60047 USA

WWW.ECHO-USA.COM



# Table of Contents

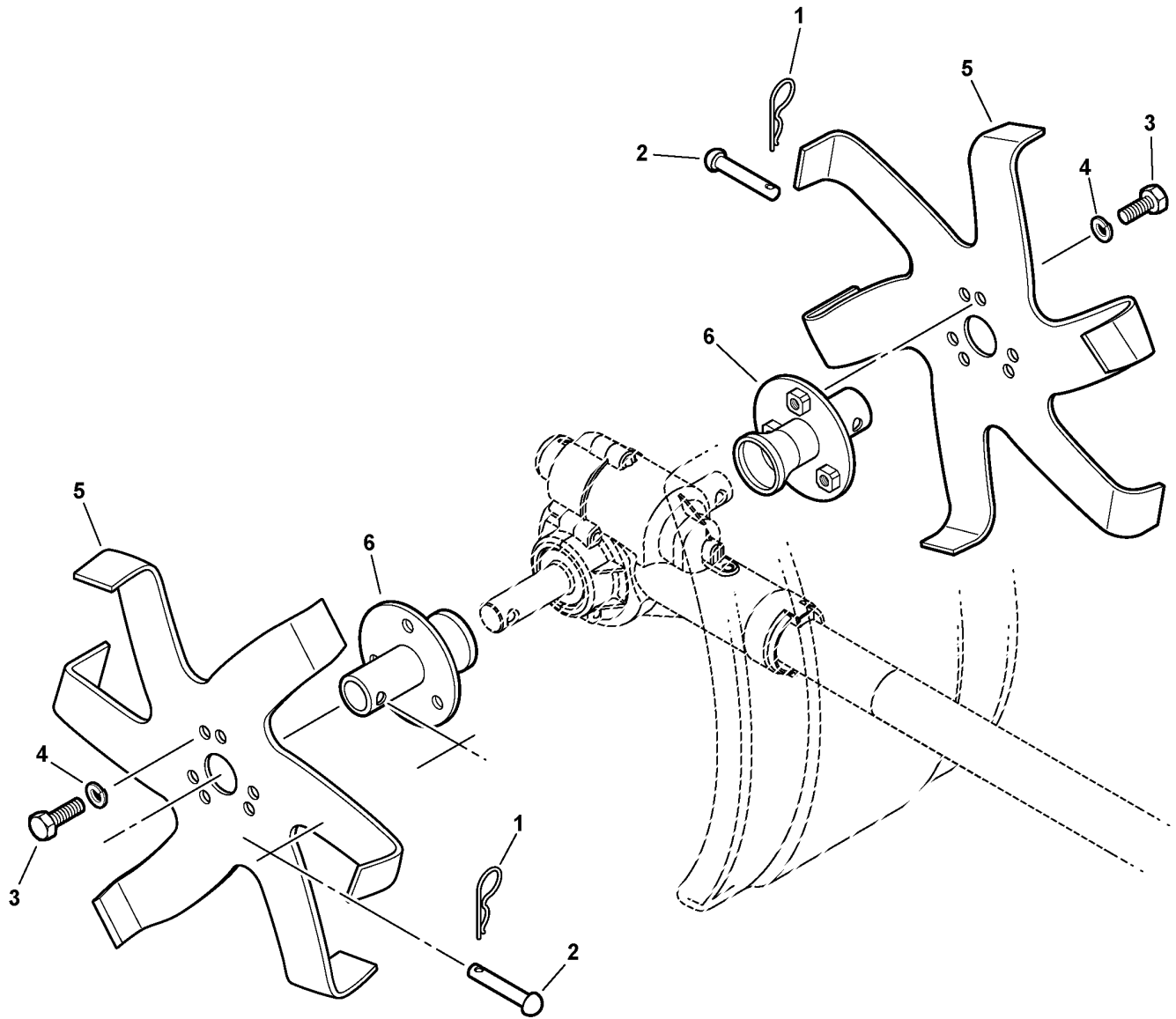
---

Click Any Diagram Description Below To View That Diagram.

## **99944200510 Cultivator Attachment**

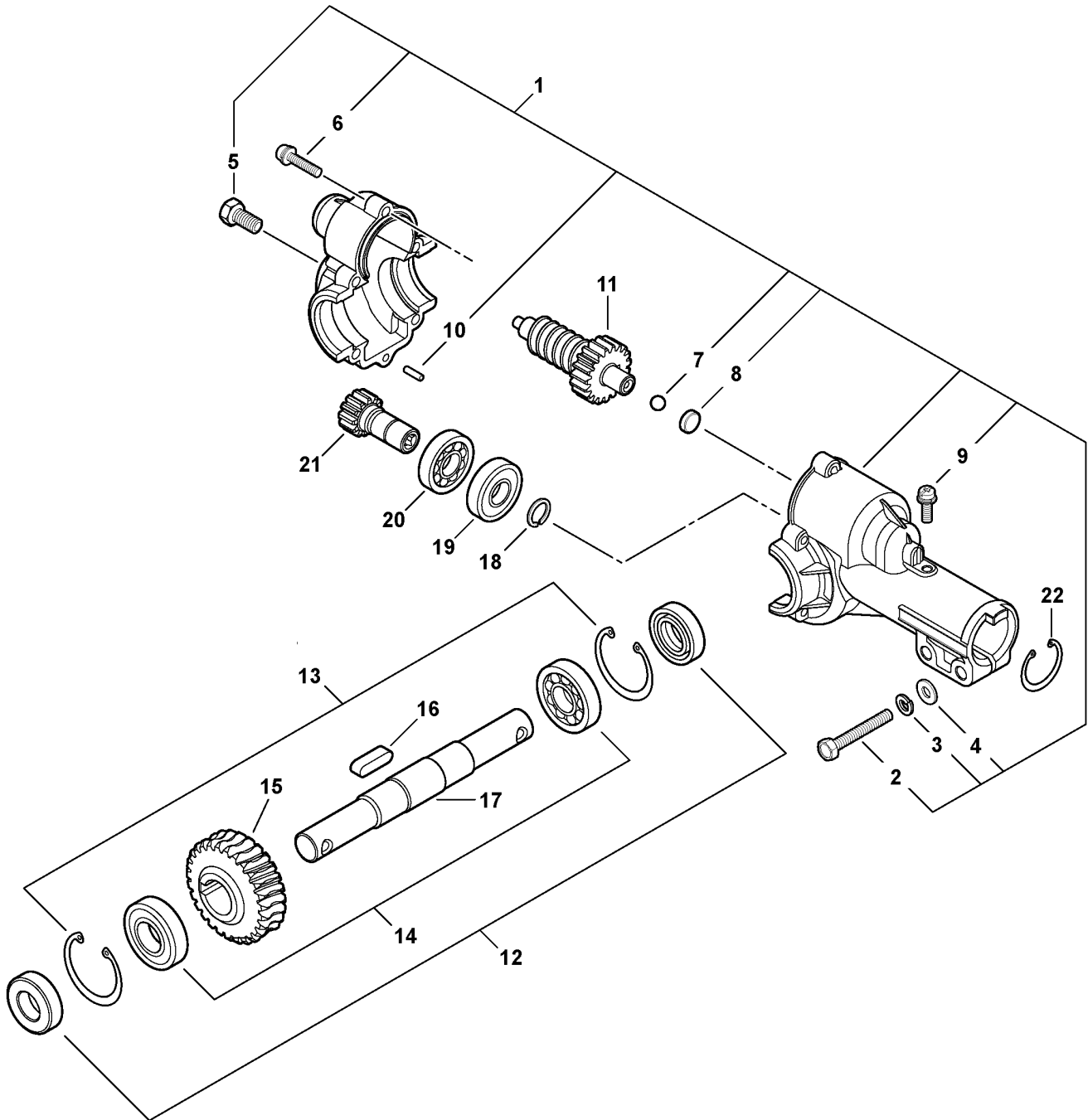
<b>Cultivating Blades.....</b>	<b>4</b>
<b>Gear Case.....</b>	<b>6</b>
<b>Main Pipe Assembly, Shield.....</b>	<b>8</b>
<b>Part Number Index.....</b>	<b>10</b>
<b>Part Description Index.....</b>	<b>11</b>

***This Page Intentionally Left Blank***



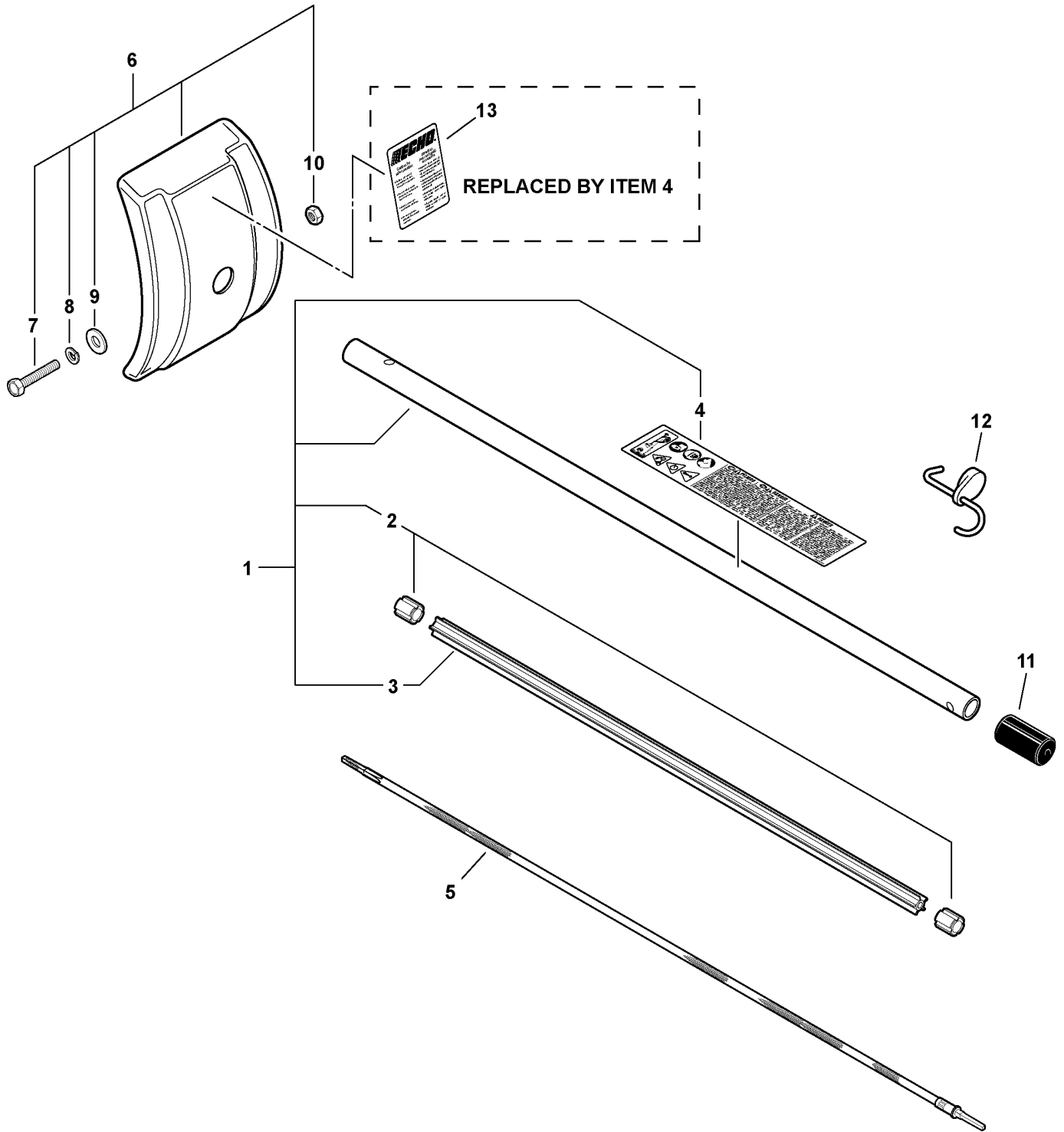
091 0001 000

ITEM	PART NUMBER	QTY	DESCRIPTION	REMARKS
1	60561211050	2	HAIRPIN COTTER	
2	60561111050	2	PIN	
3	90010006010	6	BOLT 6X10	
4	90060500006	6	LOCKWASHER 6	
5	69001011050	2	BLADE, CULTIVATOR	
6	60561011050	2	HUB, BLADE	



090 0003 000

ITEM	PART NUMBER	QTY	DESCRIPTION	REMARKS
1	60540112050	1	GEAR HOUSING ASY	INCLUDES ITEMS 2-10
2	90010006025	2	BOLT 6X25	
3	90060500006	2	LOCKWASHER	
4	90060000006	2	WASHER 6	
5	90010008008	1	BOLT 8X8	
6	90024204025	5	SCREW 4X25	
7	90073101004	1	BALL, STEEL	
8	60532411050	1	BUSHING	
9	90024205014	1	SCREW 5X14	
10	60543011050	2	DOWEL PIN	
11	60531311050	1	GEAR, WORM	
12	60541611050	2	OILSEAL	
13	90070200030	2	CIRCLIP 30	
14	90085506903	2	BEARING, BALL 6903	
15	60531511050	1	WHEEL, WORM	
16	90032504015	1	KEY	
17	60531425560	1	SHAFT, WORM WHEEL	
18	90070600009	1	CIRCLIP 9	
19	90080300609	1	BEARING, BALL 609Z	
20	90080000609	1	BEARING, BALL 609	
21	60531011050	1	GEAR, DRIVE	
22	90070200025	1	CIRCLIP 25	



031 0034 00B



ITEM	PART NUMBER	QTY	DESCRIPTION	REMARKS
1	C050000170	1	MAIN PIPE ASY	INCLUDES ITEMS 2-3
2	61024644730	2	STOPPER	
3	C507000240	1	LINER	
4	X505002540	1	LABEL - CAUTION	
5	C506000002	1	DRIVESHAFT - FLEXIBLE	
6	69400012050	1	SHIELD KIT	INCLUDES ITEMS 7-10
7	90010006020	1	BOLT 6X20	
8	90060500006	1	LOCKWASHER 6	
9	90060000006	1	WASHER 6	
10	90050000006	1	NUT 6	
11	35122301130	1	CAP, PROTECTIVE	
12	99944200630	1	PAS ATTACHMENT HANGER	INCLUDES 4 PER PACKAGE
13	-----	1	LABEL - CAUTION <sup>1</sup>	

**Footnotes**

1: REPLACED BY ITEM 4. USE ITEM 4



# Part Number Index

Click The Page Number After Any Part Number To View The Diagram Containing That Part.

Part Number	Page
-----	.....9
35122301130	.....9
60531011050	.....7
60531311050	.....7
60531425560	.....7
60531511050	.....7
60532411050	.....7
60540112050	.....7
60541611050	.....7
60543011050	.....7
60561011050	.....5
60561111050	.....5
60561211050	.....5
61024644730	.....9
69001011050	.....5
69400012050	.....9
90010006010	.....5
90010006020	.....9
90010006025	.....7
90010008008	.....7
90024204025	.....7
90024205014	.....7
90032504015	.....7
90050000006	.....9
90060000006	.....7, 9
90060500006	.....5, 7, 9
90070200025	.....7
90070200030	.....7
90070600009	.....7
90073101004	.....7
90080000609	.....7
90080300609	.....7
90085506903	.....7
99944200630	.....9
C050000170	.....9
C506000002	.....9
C507000240	.....9
X505002540	.....9



# Part Description Index

---

Click The Page Number After Any Part Description To View The Diagram Containing That Part.

## B

BALL, STEEL.....7  
BEARING, BALL 609.....7  
BEARING, BALL 609Z.....7  
BEARING, BALL 6903.....7  
BLADE, CULTIVATOR.....5  
BOLT 6X10.....5  
BOLT 6X20.....9  
BOLT 6X25.....7  
BOLT 8X8.....7  
BUSHING.....7

## C

CAP, PROTECTIVE.....9  
CIRCLIP 25.....7  
CIRCLIP 30.....7  
CIRCLIP 9.....7

## D

DOWEL PIN.....7  
DRIVESHAFT - FLEXIBLE.....9

## G

GEAR HOUSING ASY.....7  
GEAR, DRIVE.....7  
GEAR, WORM.....7

## H

HAIRPIN COTTER.....5  
HUB, BLADE.....5

## K

KEY.....7

## L

LABEL - CAUTION.....9  
LINER.....9  
LOCKWASHER.....7  
LOCKWASHER 6.....5, 9

## M

MAIN PIPE ASY.....9

## N

NUT 6.....9

## O

OILSEAL.....7

## P

PAS ATTACHMENT HANGER.....9  
PIN.....5

## S

SCREW 4X25.....7  
SCREW 5X14.....7  
SHAFT, WORM WHEEL.....7  
SHIELD KIT.....9  
STOPPER.....9

## W

WASHER 6.....7, 9  
WHEEL, WORM.....7



**ECHO, INCORPORATED**

400 Oakwood Road  
Lake Zurich, IL 60047 USA

[WWW.ECHO-USA.COM](http://WWW.ECHO-USA.COM)

---