

Specifications & Capacities

Rotary Cutters Single Deck

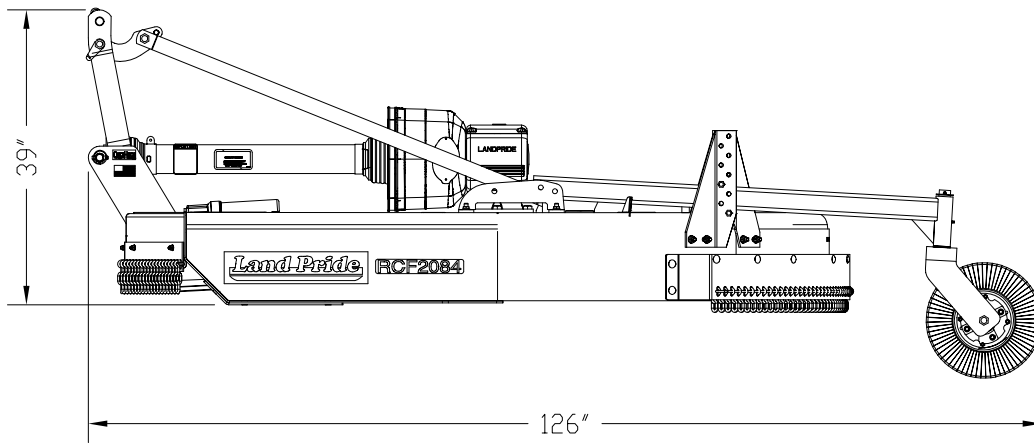
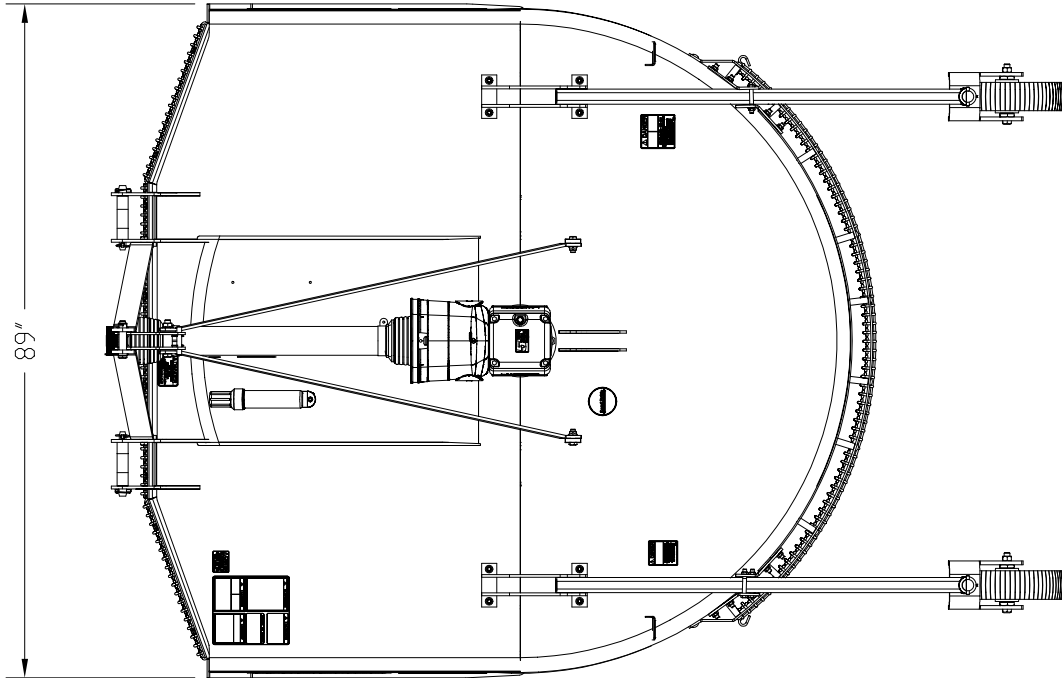
RCF2084 Model

Machine Weight		
Single Tailwheel		1,047 lbs. with Front Rubber Guard and Rear Metal Band.
Dual Tailwheel		1,155 lbs. with Front Rubber Guard and Rear Metal Band.
Hitch		Category I & II with floating top linkage, Quick Hitch adaptable
Cutting Width		84"
Overall Width		89"
Overall Length		126"
Deck Height (Bottom of Deck to Bottom of Skid Shoe)		11 15/16"
Cutting Height		1 1/2" to 12"
Cutting Capacity		2" Diameter
Recommended Tractor PTO HP		45-90 HP
PTO Speed		540 RPM
Gearbox Ratio		1:1.44
Gearbox Construction		Speed-up beveled gears, cast iron housing, 1 3/8"-6 spline input shaft and 2" output shaft
Gearbox Oil Capacity & Type		7 Pints of EP 80-90W oil
Deck Construction		All welded deck
Deck Material Thickness		10 Gauge (.134")
Side Skirt Material Thickness		10 Gauge (.134")
Skid Shoes	Standard	Full length weld-on skid shoes
	Accessory	1/4" x 2 1/2" x 18 7/16" Long bolt-on replaceable skid shoes (Bolts to weld-on skid shoes)
Stump Jumper		3/16" x 27" Oval Pan with 1" thick blake holder bar
Blades (2)		1/2" x 4" x 31" Heat treated alloy steel free-swinging high lift
Blade Bolts		Keyed with harden flat washers & lock nuts.
Blade Tip Speed		17,113 FPM
Driveline		ASAE Category 4
Driveline Protection		2 Plate slip clutch
Tailwheel Mount		Welded A-arm and caster fork with 360 degree swivel
Tailwheel		4" x 8" x 15" Laminated tire with cast iron hub
Front Guard	Optional	Rubber Belting
	Optional	Single Chain Guard
Rear Guard	Standard	Metal Band
	Optional	Single Chain Guard

Designs, specifications, features and information are subject to change without notice.

Specifications & Capacities

Rotary Cutters Single Deck



33017

Designs, specifications, features and information are subject to change without notice.