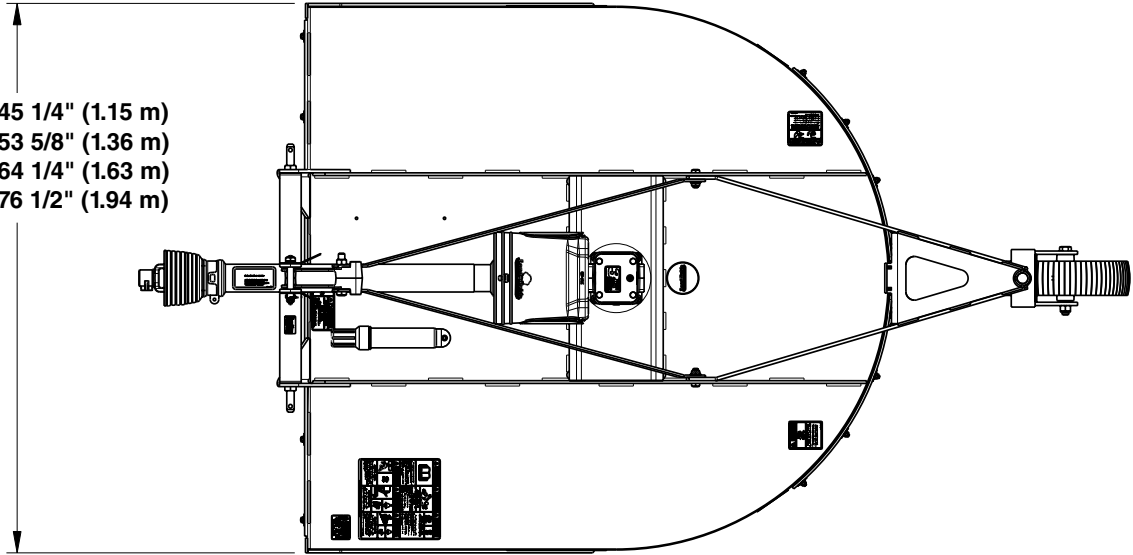




**RCR12 Series**

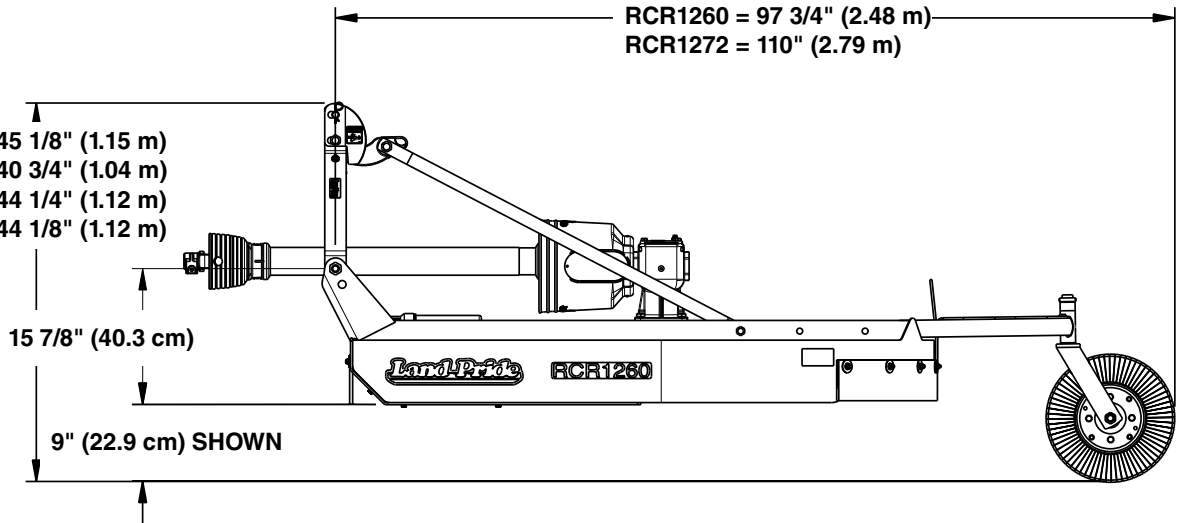
<b>Specifications &amp; Capacities</b>				
<b>Model Numbers</b>	<b>RCR1242</b>	<b>RCR1248</b>	<b>RCR1260</b>	<b>RCR1272</b>
<b>Weight (With shear bolt driveline, laminated tire, front guard, and rear guard except as noted)</b>	385 lbs. (175 kg) without rear guard	413 lbs. (187 kg)	496 lbs. (225 kg)	568 lbs. (258 kg)
<b>Hitch</b>	Category I (Quick hitch ready)			
<b>K-Hitch Interface option</b>	Not Available	Not Available	Available Must be used with KH15 Hitch	Not Available
<b>Cutting Width</b>	42" (1.07 m)	48" (1.22 m)	60" (1.52 m)	72" (1.83 m)
<b>Overall Width</b>	45 1/4" (1.15 m)	53 5/8" (1.36 m)	64 1/4" (1.63 m)	76 1/2" (1.94 m)
<b>Overall Length (Including Tailwheel)</b>	83" (2.11 m)	89 1/8" (2.26 m)	97 3/4" (2.48 m)	110" (2.79 m)
<b>Deck Height</b>	7 1/4" (18.4 cm)			
<b>Cutting Height</b>	1 1/4" - 10" (3.2cm. - 25.4 cm)			
<b>Cutting Capacity</b>	Grass, weeds & light brush			
<b>Recommended Tractor Horsepower</b>	18-40 hp (13.4-29.8 kw)	20-60 hp (14.9-44.7 kw)	25 -60 hp (18.6-44.7 kw)	
<b>Power Take-Off Speed</b>	540 rpm			
<b>Gearbox Rating Horsepower</b>	60 hp (44.7 kw)			
<b>Gearbox (Speed up beveled gears)</b>	1:1.93 Speed-up Cast iron housing			1:1.47 Speed-up Cast iron housing
<b>Gearbox Lubrication &amp; Capacity</b>	1.9 Pint (.9 L) With new Comer gearboxes - 1.1 Pint (0.52 L) of gear lube 80-90W EP			
<b>Deck Construction</b>	1 Piece reinforced deck			2 Piece reinforced deck
<b>Deck Material Thickness</b>	12 Gauge (2.7 mm)			
<b>Skids</b>	12 Gauge (2.7 mm) (Formed in deck)		1/4" (6.35 mm) (Welded on deck)	
<b>Skid Shoes</b>	Not Available		Bolt-on replaceable skid shoes (Sold separately through parts department only)	
<b>Stump Jumper</b>	Round Pan 10 ga x 24" (61.0 cm)			
<b>Blades (2)</b>	1/2" x 3" (13mm x 76 mm) Heat treated alloy steel Free-swinging blades			
<b>Blade Bolts</b>	Keyed with harden flat washer and locknut			
<b>Blade Tip Speed</b>	11,417 fpm (58.0 mps)	13,256 fpm (67.3 mps)	16,536 fpm (84.0 mps)	15,033 fpm (76.4 mps)
<b>Driveline</b>	ASAE Category 3			
<b>Driveline Protection Options</b>	1/2" (13 mm) Center shear bolt protection or center bolt 2 plate slip clutch			
<b>Tailwheel</b>	4" x 8" Laminated tire and yoke			
<b>Front rubber safety guard</b>	Standard	Standard	Standard	Standard
<b>Rear rubber safety guard</b>	Not available	Standard	Standard	Standard

RCR1242 = 45 1/4" (1.15 m)  
 RCR1248 = 53 5/8" (1.36 m)  
 RCR1260 = 64 1/4" (1.63 m)  
 RCR1272 = 76 1/2" (1.94 m)



RCR1242 = 83" (2.11 m)  
 RCR1248 = 89 1/8" (2.26 m)  
 RCR1260 = 97 3/4" (2.48 m)  
 RCR1272 = 110" (2.79 m)

RCR1242 = 45 1/8" (1.15 m)  
 RCR1248 = 40 3/4" (1.04 m)  
 RCR1260 = 44 1/4" (1.12 m)  
 RCR1272 = 44 1/8" (1.12 m)



15 7/8" (40.3 cm)

9" (22.9 cm) SHOWN

30320