



MECHANICAL QUICK COUPLER



SAFETY
BY DESIGN

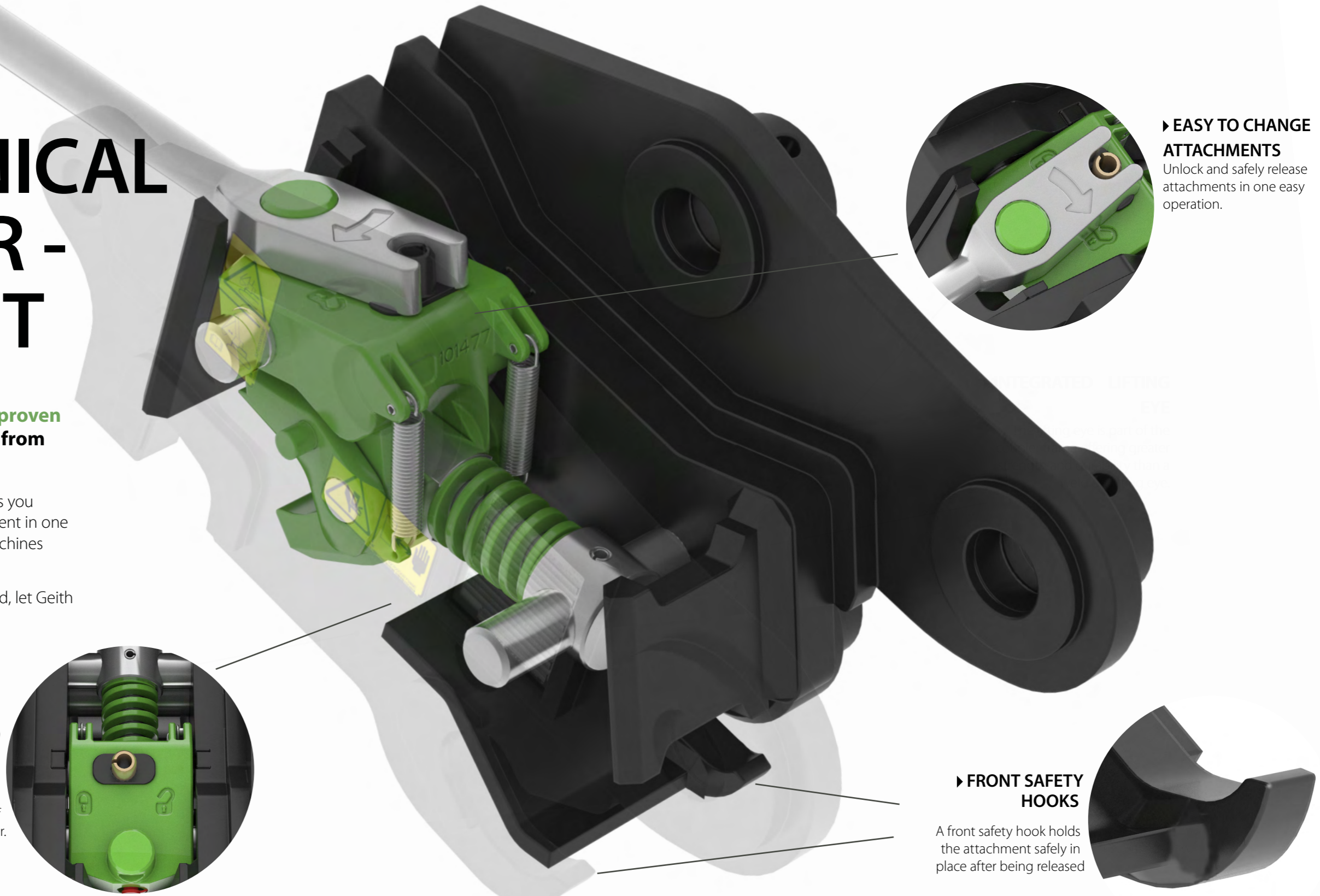
WWW.GEITH.COM

GEITH MECHANICAL COUPLER - ONE VISIT

Achieve premium site safety and productivity with the industry's **proven** number one mechanical coupler from Geith.

The one visit mechanical Quick Coupler lets you unlock and release your excavator attachment in one easy operation. Available for 1-10 tonne machines (30mm to 60mm attachment pins)

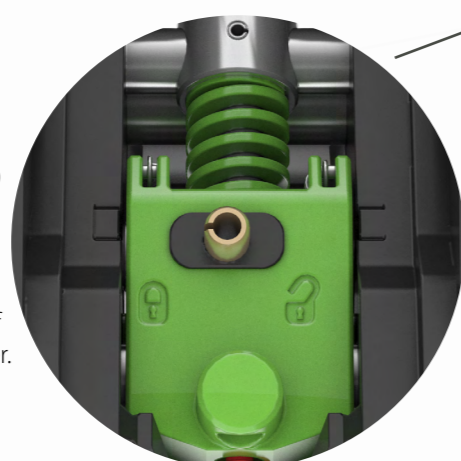
With over 160,000 quick couplers in the field, let Geith be your trusted quick coupler partner.



► **EASY TO CHANGE ATTACHMENTS**
Unlock and safely release attachments in one easy operation.

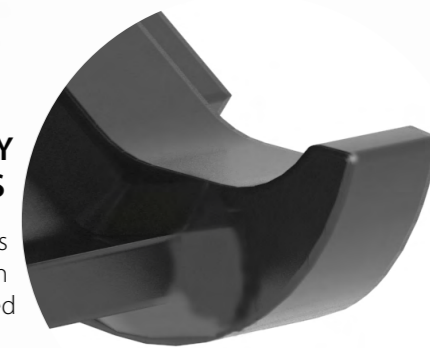
► **STAYS TIGHT AND SAFELY LOCKED**

A self-tightening design ensures that attachments stay tight and safely locked for the lifetime of the coupler.



► **FRONT SAFETY HOOKS**

A front safety hook holds the attachment safely in place after being released



► **REVERSIBILITY**

Buckets can be used in reverse or shovel mode, allowing the operator to excavate and backfill against walls, foundations and under pipes.



► **AUTOMATICALLY LOCK FROM THE CAB**

Change attachments in one visit. Safely locking attachments without leaving the cab, making for a safe & efficient working environment (no safety pin needed).



► **MAIN PIN THUMB FRIENDLY**

Available as part of a package with digging/ditching buckets & main pin thumbs made to correct weight and specification for compact machines



► **PICK UP OEM BUCKETS**

The Geith Mechanical Quick Coupler picks up original direct mount OEM excavator buckets, no non-standard bucket design and configuration needed.



CONTACT

Ireland (HQ)

Tel: +353 (0)1 650 2100
Email: marketing@geith.com

US

Tel: 1-800-762-4090
Email: ussales@geith.com

UK

Tel: +44 (0) 2039 361 232
Email: uksales@geith.com

France

No Vert: 0800 916 626
E: frsales@geith.com



www.geith.com