



LARGE CAPACITY SXI INDUSTRIAL SERIES SPREADER

SXI720-SXI865

3,500 – 4,200 gallons

Turning Manure/Litter/Waste into a Manageable Resource



MADE IN
★  ★
OVER 70 Years
of Service to Our
Customers!

ACCURATE APPLICATION SUPERIOR PERFORMANCE

Pen Packed Manure • Liquid Manure • Poultry Litter
Sand Bedded Manure • Sludge Products • Municipal Waste

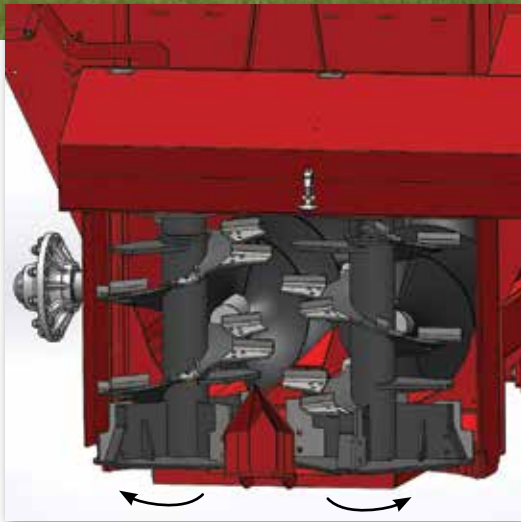
Farm Equipment Buyers Trust the Name **Meyer!**



MEYER SX Advantage - R



Industrial SX1720
720 Bushel / 3,500 Gallons



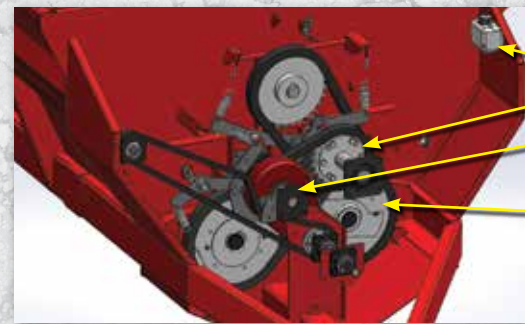
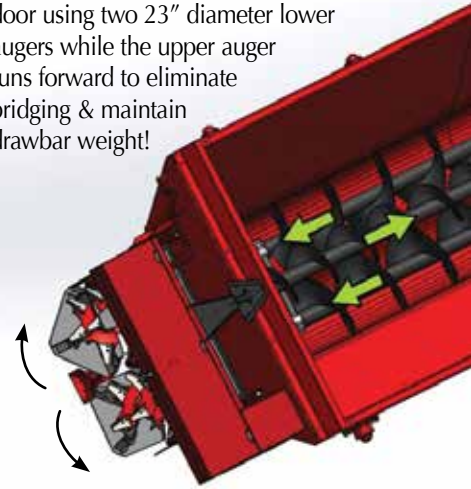
NEW Rear Discharge System

Models: SX1720 and SX1865

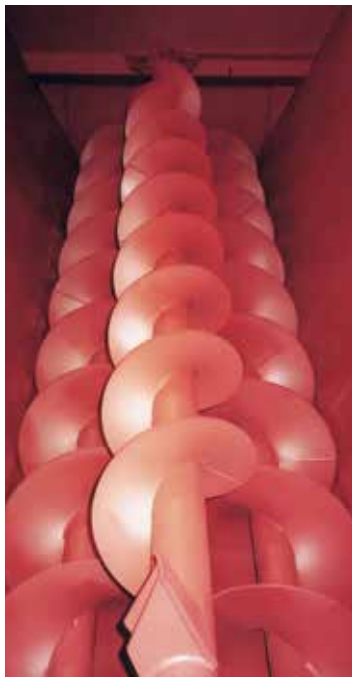
- The **Rear Discharge** features massive 30" diameter tilted expellers, replaceable wear parts and HD direct drive.
- Reversed Expeller Rotation provides simplicity and max performance.
- Center-V divider produces wide, consistent spreading in all materials.
- Over-running clutch system reduces strain at shutdown.
- Shock-Load Coupler System reduces driveline stress from foreign objects/frozen manure!

PATENTED Straight-Line Flow

Material is directed straight out the large back door using two 23" diameter lower augers while the upper auger runs forward to eliminate bridging & maintain drawbar weight!



FEATURES ON BOTH SX1720 AND



← All Meyer Industrial Spreaders feature **three augers** constructed of **massive sectional flights**. **Thrust bearing** and **nylatron sleeves** on the drive side of the auger reduce stress and horse power requirements. Steep tank sides constructed from heavy gauge, rust resistant steel are just plain heavier than the rest!

← A **T-Post Auger Hold-Down System** creates a larger opening for material to pass through.

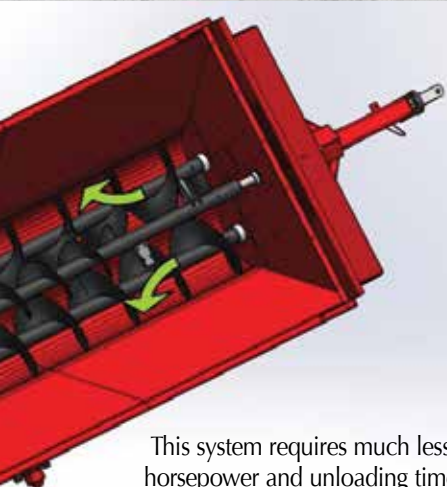


↑ **Individual Bottom Auger Shear Hub Protection** safe guards your investment and allows you to unload even with one auger obstructed. Standard feature SX1720 & SX1865.



↑ **New Helical Expeller Design** and **Reversed Expeller Rotation** provide exceptional performance in a variety of materials. Replaceable, hardened paddles require less expense and maintenance compared to pivoting hammers.

Industrial Rear Discharge!



This system requires much less horsepower and unloading time compared to side discharge models. Plus your tractor and spreader stay clean regardless of wind direction!

Driveline Features

- Auto Chain Oiler
- Simple Speed Changes
- RT Geardrive - Less moving parts!
- Lower Auger Shear-Hub Protection
- Hydraulic Auger Drive Options



Industrial SXI865
865 Bushel / 4,200 Gallons



Superior Spread Pattern

Models: SXI720 and SXI865

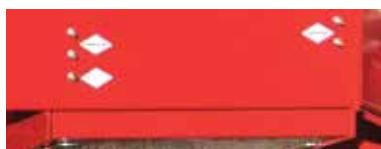
- SXI Spread Patterns will generally vary from 20' to 40' wide depending on material density.
- Application rate adjustment available. (mechanical standard or hydraulic optional)
- Wind drift is a non-factor (unlike side delivery spreaders)



SXI865 INDUSTRIAL SPREADERS



↑ **Auto Oiler** automatically oils your roller chains each time you operate the tailgate. Operator maintains easy access to components, unlike oil bath designs. Reservoir has viewing window at ground level and is easily accessed.



↓ The **SXI Axle System** is completely redesigned to include HD oscillating axles equipped high capacity spherical pivot bearings and pinned spindles. (Brakes available on High Floatation Axle)



Industrial SXI720

← **Easy Serviceability** Grease banks provide quick maintenance from ground level. Also notice hinged access doors for easy auger shear bolt access.



↑ This optional **Hydraulic Lid** is available for cleaner transportation and less odor pollution. RH or LH opening available / with or without port hole.

Meyer SXI Industrial - Accurate Application with No Mess!

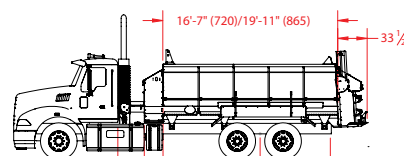
MEYER Industrial Dimensions & Specifications

	Industrial SXI720 Trailer Type - W/550/45x22.5 Tires	Industrial SXI720 Truck Mount - W/ Mount Brkts.	Industrial SXI865 Trailer Type - W/28L x 26 Tires	Industrial SXI865 Truck Mount - W/ Mount Brkts.
CAPACITY				
Bushels Heaped	720	720	865	865
Gallons/Cu. ft. (struck)	3500/468	3500/468	4200/562	4200/562
Cu. yards. (struck)	17.33 cu. yards	17.33 cu. yards	20.8 cu. yards	20.8 cu. yards
DIMENSIONS				
Overall Length	26'6"	20'10" w/ Hyd Motor	29'10"	24'2" w/ Hyd Motor
Inside Tank Length	16'8"	16'8"	20'	20'
Loading Height	87" w/550/45 - 425/65-21.5 89" W/600/50x22.5	68" plus truck height	89" w/28L x 26	68" plus truck height
Overall Height - Top of Splash Guard	104" w/550/45 - 425/65-21.5 106" w/600/50x22.5	85" plus truck height	105" w/28L x 26	85" plus truck height
Overall Width (std. axle) Outside Tires	119" w/550/45x22.5 126" w/600/50x22.5	N/A	N/A	N/A
Overall Width w/high flotation axle pkg.	141" w/28L x 26		141" w/28L x 26 tires	
Top Inside Tank Width	101"	101"	101"	101"
SPECIFICATIONS				
Total Weight	14,680# w/425/65	10,360# est. w/PTO drive	17,820#	10,500# est. w/PTO drive
Maximum Load Net (Lbs.)	35,200#	35,200#	38,000#	38,000#
Lower Auger Diameter	23"	23"	23"	23"
Lower Auger Flighting Thickness	3/8" sectional	3/8" sectional	3/8" sectional	3/8" sectional
Independent Lower Auger Shear Hub Sprockets	Standard	Standard	Standard	Standard
3rd Auger (solid material)	Standard - 16"	Standard - 16"	Standard - 16"	Standard - 16"
Drive - PTO-RPM	1000 RPM Constant Velocity 1 3/8-21 spline	PTO - Direct Std. Hydraulic - Optional	1000 RPM Constant Velocity 1 3/4-20 spline	PTO - Direct Std Hydraulic - Opt
Drive Line Protection	Overrunning cut out clutch w/shear bolt augers	Cut out clutch w/shear bolt augers (PTO version)	Overrunning cut out clutch w/shear bolt augers	Cut out clutch w/shear bolt augers (PTO version)
Roller Chain Drive - Auger	RT Geardrive / #120-140	RT Geardrive / #120-140	RT Geardrive / #120-140	RT Geardrive / #120-140
Roller Chain Drive - Expeller	#80	#80	#80	#80
Roller Chain Auto Oiler	Standard	Standard	Standard	Standard
Expeller Speed (RPM)	718 RPM	718 RPM	718 RPM	718 RPM
Expeller Diameter	30"	30"	30"	30"
TANK CONSTRUCTION				
Material	Copper bearing steel	Copper bearing steel	Copper bearing steel	Copper bearing steel
Thickness - Auger Troughs	1/4"	1/4"	1/4"	1/4"
Thickness - Tank Sides	1/4"	1/4"	1/4"	1/4"
Frame Construction	HD Formed Channel	HD Formed Channel	HD Formed Channel	HD Formed Channel
Door Opening	32" x 53"	32" x 53"	32" x 53"	32" x 53"
Standard Axle Spindle Diameter	Std. Tandem 3 1/2" sleeved		N/A	
High Flotation Axle Spindle Diameter	Opt. Tandem 4 1/2" sleeved		Std. Tandem 4 1/2" sleeved	
Standard Axle Hub Size	10 bolt-15,000#		N/A	
High Flotation Axle Hub Size	10 bolt-20,000# (opt.)		10 bolt-20,000# (std.)	
Splash Shields - Standard	Angled style front/rear	Angled style front/rear	Angled style front/rear	Angled style front/rear
LED transport lights w/ag plug	Standard	Standard	Standard	Standard
Tractor Requirement PTO HP (Min.)	140 HP Tractor		170 HP Tractor	
OPTIONS				
1000 RPM 1 3/4" - 20 spline	Optional		Standard	
Hydraulic Lid	Optional	Optional	Optional	Optional
Poultry Litter Package	Optional	Optional	Optional	Optional
High Flotation Axle Package	Optional		Standard	
Hyd. Brakes-HF axle only	Optional (2 or 4 wheel)		Optional (2 or 4 wheel)	
Safety Chain/SMV	Optional		Optional	
Truck Mount Drive Options		PTO - Direct Std. Hydraulic - Opt		PTO - Direct Std. Hydraulic - Opt
Scale Packages	Optional	Optional	Optional	Optional
Variable Speed Auger Drive	Optional	Optional	Optional	Optional

Model & Specifications subject to change without notice or obligation.

SXI Truck Mounts

- All SXI models can be truck mounted for safe, efficient transport to your fields. Meyer SXI models are adaptable to a wide range of trucks and floaters. Drive options include Direct PTO or Hydraulic.
- For truck chassis specifications and mounting instructions go to meyermfg.com or contact the factory at 800 325-9103.



SIZE	A	B	C	D
720	30"	52"	179"	240"
865	30"	52"	199"	280"

Scale Packages Optional

- Optimize accuracy of application and record keeping.



Also Available from Meyer Crop Max Series Combination Spreaders

- 3 Spreading Attachments
- Silage Extensions
- Grain Kit



**AMERICAN MADE
AMERICAN OWNED
FOR OVER 70 YEARS!**



MEMBER



FEMA

YOUR DEALER IS:

Meyer Mfg. Corp.

Dorchester, Wisconsin 54425

Phone: 715/654-5132 • 1-800-325-9103 • FAX: 715/654-5513

sales@meyermfg.com • www.meyermfg.com

