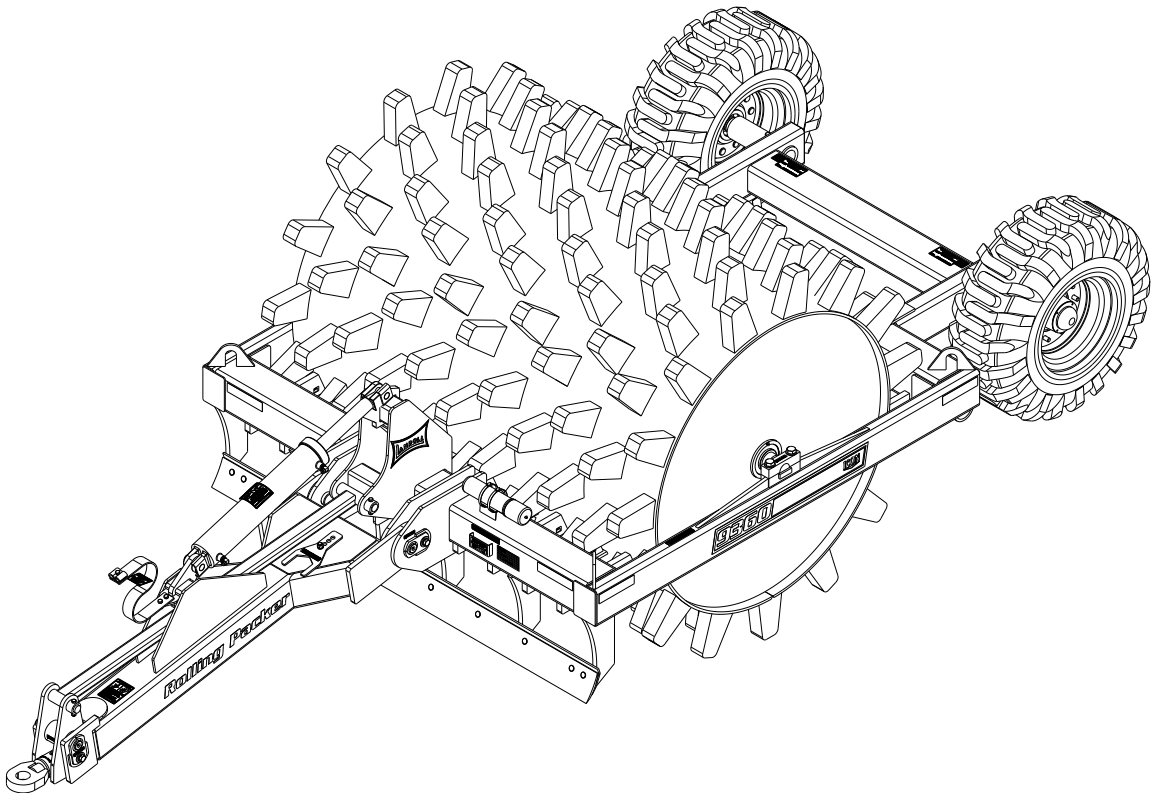




# Model 9360 Packer W/Wheels

## Service and Parts

### Manual



#### **LANDOLL CORPORATION**

1900 North Street  
Marysville, Kansas 66508  
(785) 562-5381

800-428-5655 ~ [WWW.LANDOLL.COM](http://WWW.LANDOLL.COM)

# Safety Information

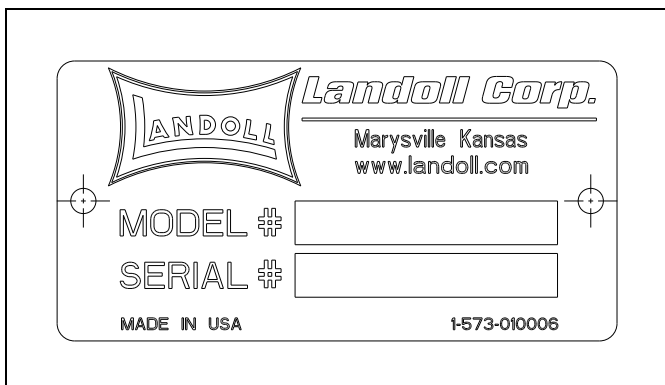
## Introduction

This manual is compiled as a guide for owners and operators of the Packer. Read it carefully so as to be able to follow the suggestions made. Please take time to understand the proper maintenance schedule and SAFE operation of your equipment.

In the event that a new and inexperienced operator is placed in charge of running the equipment, they should read and understand, that part of the manual for proper maintenance and SAFE operation, and to be trained in regard by an experienced operator.

## Owner Assistance

If customer service or repairs are needed, contact your Icon dealer. They have trained personnel, parts and service equipment specially designed for Icon products. Your machine's parts should only be replaced with Icon parts. Have the Serial Number and complete Model Number available when ordering parts from your Icon dealer (**See Figure 2-1.**)



**Figure 2-1: ID Plate**

## Warranty Registration

Be certain to register the grader, by Online registration at [www.landoll.com](http://www.landoll.com) within 10 days of purchase or lease, in order to be on file at Landoll and eligible for Warranty.

Take time to read and understand the Warranty for this product. That Warranty is printed in the Owner's Manual (**See Figure 2-2**), and a separate copy enclosed in the packet.

ICON/Landoll reserves the right to make changes and/or add improvements to its products at any time without obligation to previously manufactured equipment.

Please take time to complete the following information for your personal reference, should you need to contact your Dealer with questions or parts needs.

**MODEL** \_\_\_\_\_

**SERIAL #** \_\_\_\_\_

**DATE OF PURCHASE** \_\_\_\_\_

**DEALER NAME** \_\_\_\_\_

We at ICON/Landoll wish to thank you for purchasing our product. We have spent considerable time and effort to research, design, test and develop this machine and are confident it will serve you in the use for which it was designed.

# LANDOLL CORPORATION

## *Product Warranty*

LANDOLL CORPORATION 1600 W. 8<sup>th</sup> St. Beloit KS 67420  
(referred to as LANDOLL in this document)

LANDOLL shall Warrant workmanship and materials on the **ICON Industrial Products** for a period of 270 calendar day from the date of original purchase, lease, or rental, from the original Dealer, and in accordance with the following terms and conditions.

Should any part or component fail within the Warranty period, and under normal use conditions, LANDOLL shall supply a new part or component for replacement through the original Dealer. Cost of normal ground freight, for that part or component to the Dealer, shall be paid by LANDOLL. Repair and replacement labor cost, from the original Dealer, shall be paid by LANDOLL at a rate negotiated by LANDOLL.

No further expense shall be paid by LANDOLL, including but not limited to, loss of time or income.

LANDOLL shall not provide Warranty on any part or component that has failed due to abuse, misuse, alteration, improper maintenance, or normal wear. Failure occurring while being pulled by a tractor in excess of engine horsepower, as described in the owners manual and/or posted on the machine, is considered abuse and misuse and shall not receive Warranty. Warranty applies only to normal, intermittent agricultural use, and not commercial or industrial use.

In regard to some components manufactured by other companies and sold by LANDOLL, including but not limited to tires, said Warranty shall be provided solely by that manufacturing company.

This Warranty applies to products sold in the United States and Canada, and is made expressly in place of all other warranties, expressed or implied.

Figure 2-2: Product Warranty

## Understanding Safety Statements

You will find various types of safety information on the following pages and on the machine decals (signs) attached to the implement. This section explains their meaning.

### NOTICE

**Special notice - read and thoroughly understand.**



### CAUTION

**Proceed with caution. Failure to heed caution may cause injury to person or damage product.**



### WARNING

**Proceed with caution. Failure to heed warning will cause injury to person or damage product.**



### DANGER

**Proceed with extreme caution. Failure to heed notice will cause injury or death to person and/or damage product.**

#### NOTE

*Means that failure to follow these instructions could cause damage to the equipment or cause it to operate improperly.*

#### NOTE

*Make sure you read and understand the information contained in this manual and on the machine signs (decals) before you attempt to operate or maintain this vehicle.*

The safety statements contained in this manual relate to the operation of the Grader.

#### NOTE

*You should read and understand the information contained in this manual and on the machine decals before you attempt to operate or maintain this equipment.*

- Examine safety decals and be sure you have the correct safety decals for the machine. Order replacement decals through your Icon dealer.
- Keep these signs clean so they can be observed readily. It is important to keep these decals cleaned more frequently than the machine. Wash with soap and water or a cleaning solution as required.
- Replace decals that become damaged or lost. Also, be sure that any new machine components installed during repair include decals which are assigned to them by the manufacturer.
- When applying decals to the machine, be sure to clean the surface to remove any dirt or residue. Where possible, sign placement should protect the sign from abrasion, damage, or obstruction from mud, dirt, oil etc.



### DANGER

- **Keep Riders Off of Machinery**
- **Do not allow anyone to ride on tractor or machine. Riders could be struck by foreign objects or thrown from the machine.**
- **Never allow children to operate equipment.**
- **Keep bystanders away from machine during operation.**

## Safety Decals

See Decal Listing for decal locations.

### NOTE

*Replace all missing or damaged safety signs/decals.*

## Pinching or Crushing Danger

1. Moving parts that are operated by hydraulic pressure can cause serious injury or death.
2. Use extreme caution when working around any moving part.
3. Do not allow any person to be on or near the machine while it is in motion.

## Moving Parts

1. Be aware of all moving parts of the machine.
2. Do not allow anyone to be near, or on the machine while operating any moving part.

## Danger

1. Read and understand the operator's manual before using the machine.
2. Allow no person to operate the machine before reading the manual and being instructed on proper operation.

## Caution

1. This machine is designed for off road use only.

## Danger, High Pressure

1. High pressure fluid can cause serious damage to hands and eyes.
2. Carefully relieve pressure before attempting any
3. adjustments.
4. Tighten all fittings before applying pressure.

### NOTE

*If fluid is sprayed into eyes or injected into skin, **see a doctor immediately!***

## Lubrication

1. Lubrication information is placed near each zerk.
2. Proper maintenance should be followed to assure the working life of the machine.

## Proper Notification

1. Contact the proper authorities before you dig.
2. When digging in a populated area, it is recommended that a call be made to area utilities to establish the local of any buried pipes, lines, or structures. When digging in open areas, research and know the local of any underground structures and objects.
3. Striking the blades or bits against buried objects can cause damage to the machine, and is considered as abuse to the unit.

## Storage Recommendations

### NOTE

*If the machine is being stored or not in use for a long period of time, it is recommended that a coating of heavy grease be applied to the exposed chrome cylinder rods. This will help to protect the coating from moisture and rust during this time.*

# Standard Specifications

## Model Specification

Specification	
	Model 9360 W/Wheels
Weight (Empty)	13,680 lbs
Weight (Filled with Water)	22,618 lbs
Weight (Filled with Sand)	30,820 lbs
Total Drum Capacity	1090 gal.
Working Width	7' - 9"
Width Overall	8' - 5"
Length Overall	18' - 8"
Cylinders Lift	5" X 24"
Number of Drums	1
Total Number of Teeth	165
Drum Diameter without Teeth	60"
Drum Diameter with Teeth	78"
Hitches	Single or Double Clevis w/360° Swivel
Grease Locations	9
Hub & Spindle	10 Bolt 12,000 lbs.

### Tire Inflation

Tire Size	Tire Manufacturer	Ply/Load Rating	Inflation Pressure (Psi) (Max.)
19.5 X 15	Titan or equivalent	12 Ply 9,190LBS. @ 25MPH	60 psi

### Recommended Torque Specification For Lug Bolts and Nuts

Bolt Size	Torque (FT. LBS.)
3/4-16	250 - 265 FT. LBS.

## General Torque Specifications (rev. 4/97)

**TORQUE SPECIFIED IN FOOT POUNDS** - This chart provides tightening torques for general purpose applications when special torques are not specified on process or drawing. Assembly torques apply to plated nuts and cap-screws assembled without supplemental lubrication (as received condition). They do not apply if special graphite moly-disulfide or other extreme pressure lubricants are used. When fasteners are dry (solvent cleaned) add 33% to as received condition torque. Bolt head identification marks indicate grade and may vary from manufacturer to manufacturer. Thick nuts must be used on grade 8 cap-screws. Use value in [ ] if using prevailing torque nuts.

UNC SIZE	SAE Grade 2	SAE Grade 5	SAE Grade 8	UNF SIZE	SAE Grade 2	SAE Grade 5	SAE Grade 8
1/4-20	4 [5]	6 [7]	9 [11]	1/4-28	5 [6]	7 [9]	10 [12]
5/16-18	8 [10]	13 [13]	18 [22]	5/16-24	9 [11]	14 [17]	20 [25]
3/8-16	15 [19]	23 [29]	35 [42]	3/8-24	17 [21]	25 [31]	35 [44]
7/16-14	24 [30]	35 [43]	55 [62]	7/16-20	27 [34]	40 [50]	60 [75]
1/2-13	35 [43]	55 [62]	80 [100]	1/2-20	40 [50]	65 [81]	90 [112]
9/16-12	55 [62]	80 [100]	110 [137]	9/16-18	60 [75]	90 [112]	130 [162]
5/8-11	75 [94]	110 [137]	170 [212]	5/8-18	85 [106]	130 [162]	180 [225]
3/4-10	130 [162]	200 [250]	280 [350]	3/4-16	150 [188]	220 [275]	320 [400]
7/8-9	125 [156]	320 [400]	460 [575]	7/8-14	140 [175]	360 [450]	500 [625]
1-8	190 [237]	408 [506]	680 [850]	1-14	210 [263]	540 [675]	760 [950]
1-1/8-7	270 [337]	600 [750]	960 [1200]	1-1/8-12	300 [375]	660 [825]	1080 [1350]
1-1/4-7	380 [475]	840 [1050]	1426 [1782]	1-1/4-12	420 [525]	920 [1150]	1500 [1875]
1-3/8-6	490 [612]	1010 [1375]	1780 [2225]	1-3/8-12	560 [700]	1260 [1575]	2010 [2512]
1-1/2-6	650 [812]	1460 [1825]	2360 [2950]	1-1/2-12	730 [912]	1640 [2050]	2660 [3325]
1-3/4-5	736 [920]	1651 [2063]	2678 [3347]	1-3/4-12	920 [1150]	2063 [2579]	3347 [4183]

**METRIC:**

Coarse thread metric class 10.9 fasteners and class 10.0 nuts and through hardened flat washers, phosphate coated, Rockwell "C" 38-45. Use value in [ ] if using prevailing torque nuts.

Nominal thread diameter (mm)	Newton Meters (Standard Torque)	Foot Pounds (Standard Torque)	Nominal Thread Diameter (mm)	Newton Meters (Standard Torque)	Foot Pounds (Standard Torque)
6	10 [14]	7 [10]	20	385 [450]	290 [335]
7	16 [22]	12 [16]	24	670 [775]	500 [625]
8	23 [32]	17 [24]	27	980 [1105]	730 [825]
10	46 [60]	34 [47]	30	1330 [1470]	990 [1090]
12	80 [125]	60 [75]	33	1790 [1950]	1340 [1450]
14	125 [155]	90 [115]	36	2325 [2515]	1730 [1870]
16	200 [240]	150 [180]	39	3010 [3210]	2240 [2380]
18	275 [330]	205 [245]	-----	-----	-----

**Table 3-1: General Torque Specifications**



# Hydraulic Fitting Torque Specifications

**TORQUE IS SPECIFIED IN FOOT POUNDS- 37° JIC, ORS, & ORB (REV. 10/97)**

This chart provides tightening torques for general purpose applications when special torques are not specified on process or drawing. Assembly torques apply to plated nuts and capscrews assembled without supplemental lubrication (as received condition). They do not apply if special graphite moly-disulfide or other extreme pressure lubricants are used. When fasteners are dry (solvent cleaned) add 33% to as received condition torque. Bolt head identification marks indicate grade and may vary from manufacturer to manufacturer. Thick nuts must be used on grade 8 capscrews. Use value in [ ] if using prevailing torque nuts.

<b>Parker Brand Fittings</b>			
<b>Dash Size</b>	<b>37 Degree JIC</b>	<b>O-Ring (ORS)</b>	<b>O-Ring Boss (ORB)</b>
-4	11-13	15-17	13-15
-5	14-16	-----	21-23
-6	20-22	34-36	25-29
-8	43-47	58-62	40-44
-10	55-65	100-110	58-62
-12	80-90	134-146	75-85
-16	115-125	202-218	109-121
-20	160-180	248-272	213-237
-24	185-215	303-327	238-262
-32	250-290	-----	310-340
<b>Gates Brand Fittings</b>			
<b>Dash Size</b>	<b>37 Degree JIC</b>	<b>O-Ring (ORS)</b>	<b>O-Ring Boss (ORB)</b>
-4	10-11	10-12	14-16
-5	13-15	-----	-----
-6	17-19	18-20	24-26
-8	34-38	32-40	37-44
-10	50-56	46-56	50-60
-12	70-78	65-80	75-83
-14	-----	65-80	-----
-16	94-104	92-105	111-125
-20	124-138	125-140	133-152
-24	156-173	150-180	156-184
-32	219-243	-----	-----
<b>Aeroquip Brand Fittings</b>			
<b>Dash Size</b>	<b>37 Degree JIC</b>	<b>O-Ring (ORS)</b>	<b>O-Ring Boss (ORB)</b>
-4	11-12	10-12	14-16
-5	15-16	-----	16-20
-6	18-20	18-20	24-26
-8	38-42	32-35	50-60
-10	57-62	46-50	75-80
-12	79-87	65-70	125-135
-14	-----	-----	160-180
-16	108-113	92-100	200-220
-20	127-133	125-140	210-280
-24	158-167	150-165	270-360
-32	245-258	-----	-----

**Table 3-2: Hydraulic Fitting Torque Specifications**

## Dealer Pre – Delivery Checklist

The Rolling Packer is assembled and lubricated at the factory.. The smaller, single drum models feature a bolt on tongue/hitch. This aids in shipping and transporting, and easily bolts together with the included hardware.

The larger, double drum models are fully assembled upon delivery, and need no further adjustments. However, on all models, we ask that you double check us on all bolts, nuts, and keepers.

## Dealer Delivery Checklist

The Operator and parts manual is sealed in plastic, and attached to the front of the Packer. Revue the safety, operation, and maintenance of the machine with the owner/operator. Complete the Warranty Registration card, have it signed, and return to the manufacturer, as soon as possible.

## Parts Listing For 9360 Wheel Packer

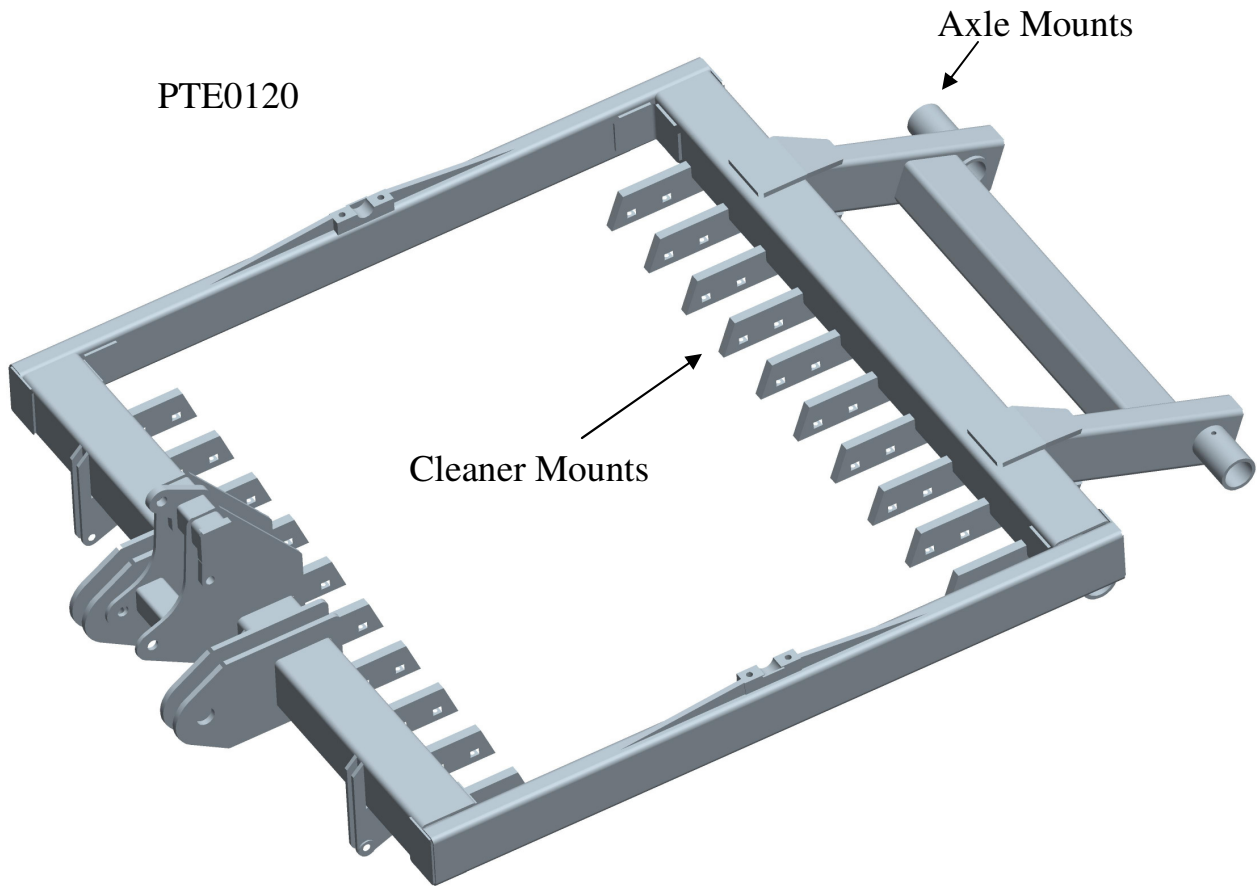
Part #	Description	Qty
2000479	9360 Drum Assy	1
2000534	Hub Assy.	2
4000537	Hub, 15000# 10BS 873 11.25BC	2
4000538	Axle, 15000# 3.375x17.5	2
2000538	Bolt Kit	1
4000099	Hyd. Cylinder 5x24	1
PTE0018	Drum Frame Clamp 2 7/16"	2
PTE0093	Cutting Edge 8'DBC245800	1
PTE0111A	Packer Bolt on Cleaners	20
PTE0120	Packer Frame	1
ICO2075	Packer Tongue	1
ICO2076	Packer Tongue Bracket	1
PTE0125	Packer Parallel Linkage	1
PTE0126	Packer Hitch	1
4000823	Hyd. Cylinder 3x8	1
PTE0085	Packer Tooth Elliptical 9x3	165
4000096	Bushing 150125100	2
4000150	Bushing 125100100	2
4000411	Bearing, Nut E2305	2
4000412	Bearing, Lock Washer E2467	2
4000413	Bearing 580 TIMKEN	2
4000414	Bearing 572 TIMKEN Race	2
4000415	Bearing STEMCO Seal 392-9095	2
4000549	Hyd. O-Ring 3.25-3.5	1
4001313	Hub, Snap Ring 6.75x6.50	2
PTE0129	Hose Stand S Shape	1
5000835	HYF. PIONEER Male Ends	2
ICO0335	Axle Nut Wrench	1
PTE0108	Drum for Tapered Bearings	1
PTE0109	93" Axle for Tapered Bearings	1
4001252	Tire, 15x19.5 12 ply	2
ICO1036	Rim, 15x19.5 8 bolt	2
GRA1599	Pin, Cylinder 1 1/4"	2
ICO2005	Pin,	

# Main Frame

PTE0120

Axle Mounts

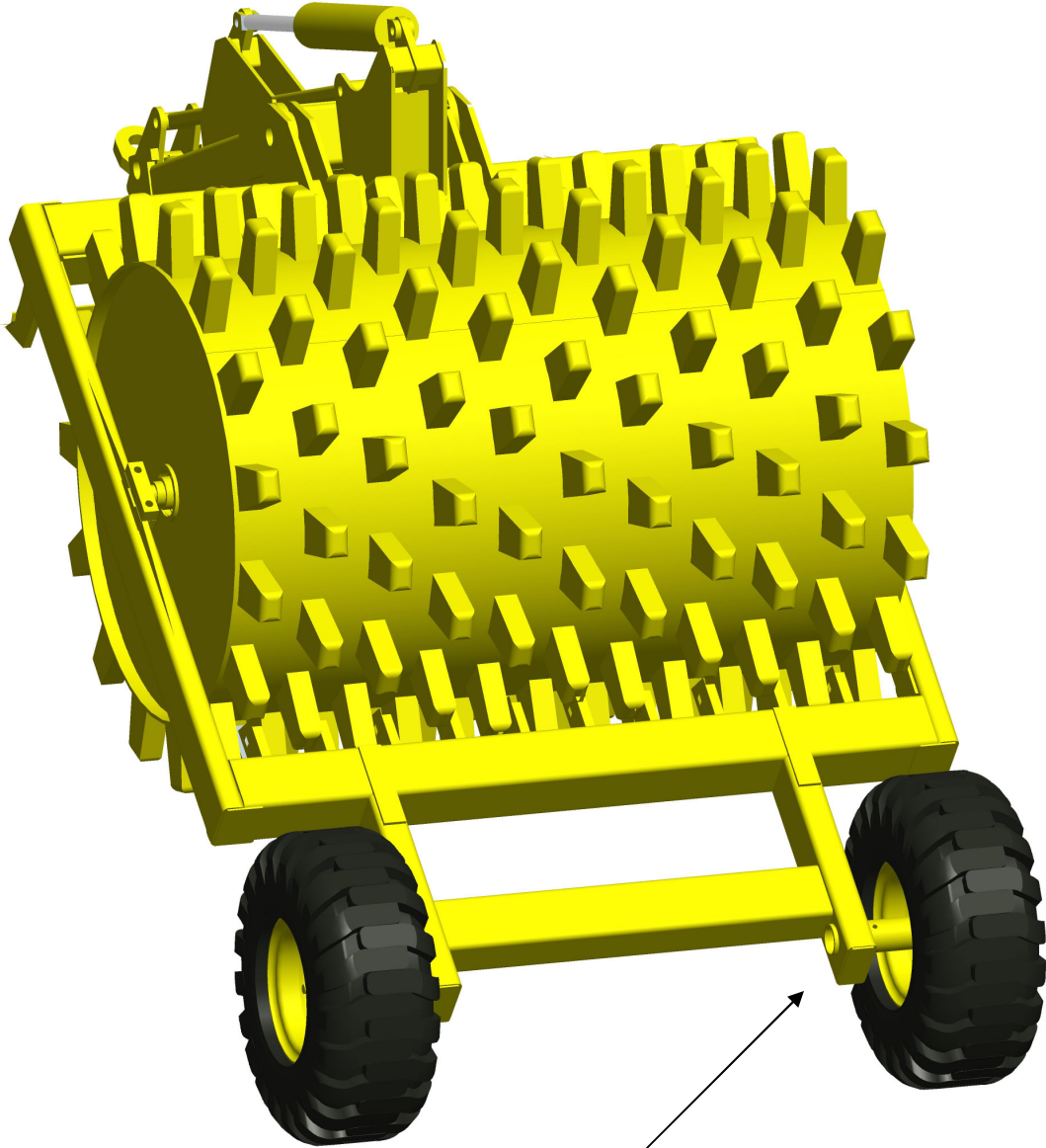
Cleaner Mounts



Drum Frame With Drum Installed

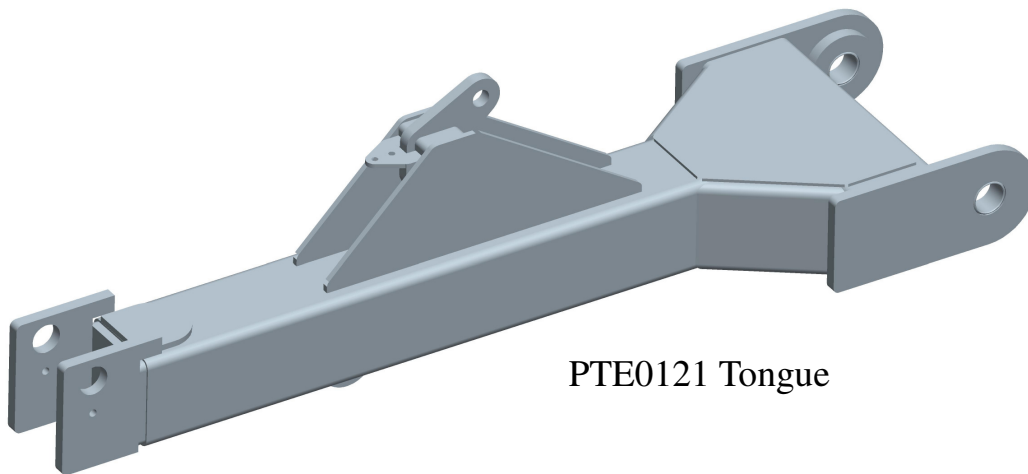
2000479 9360 drum

9" Elliptical Teeth PTE00085

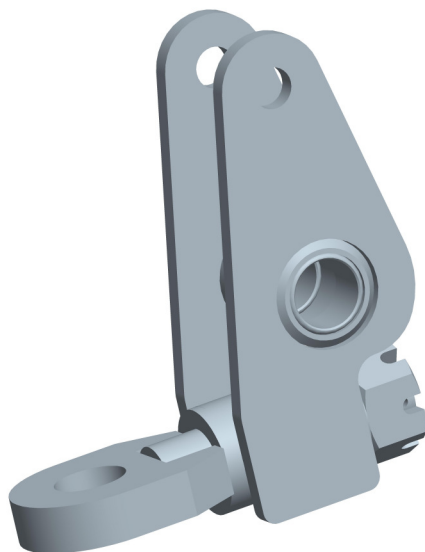


Hub Assembly

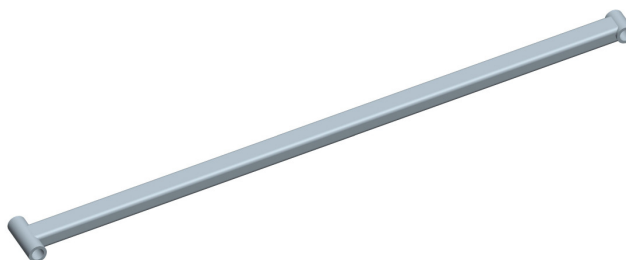
Tongue Frame and Hitch



PTE0121 Tongue

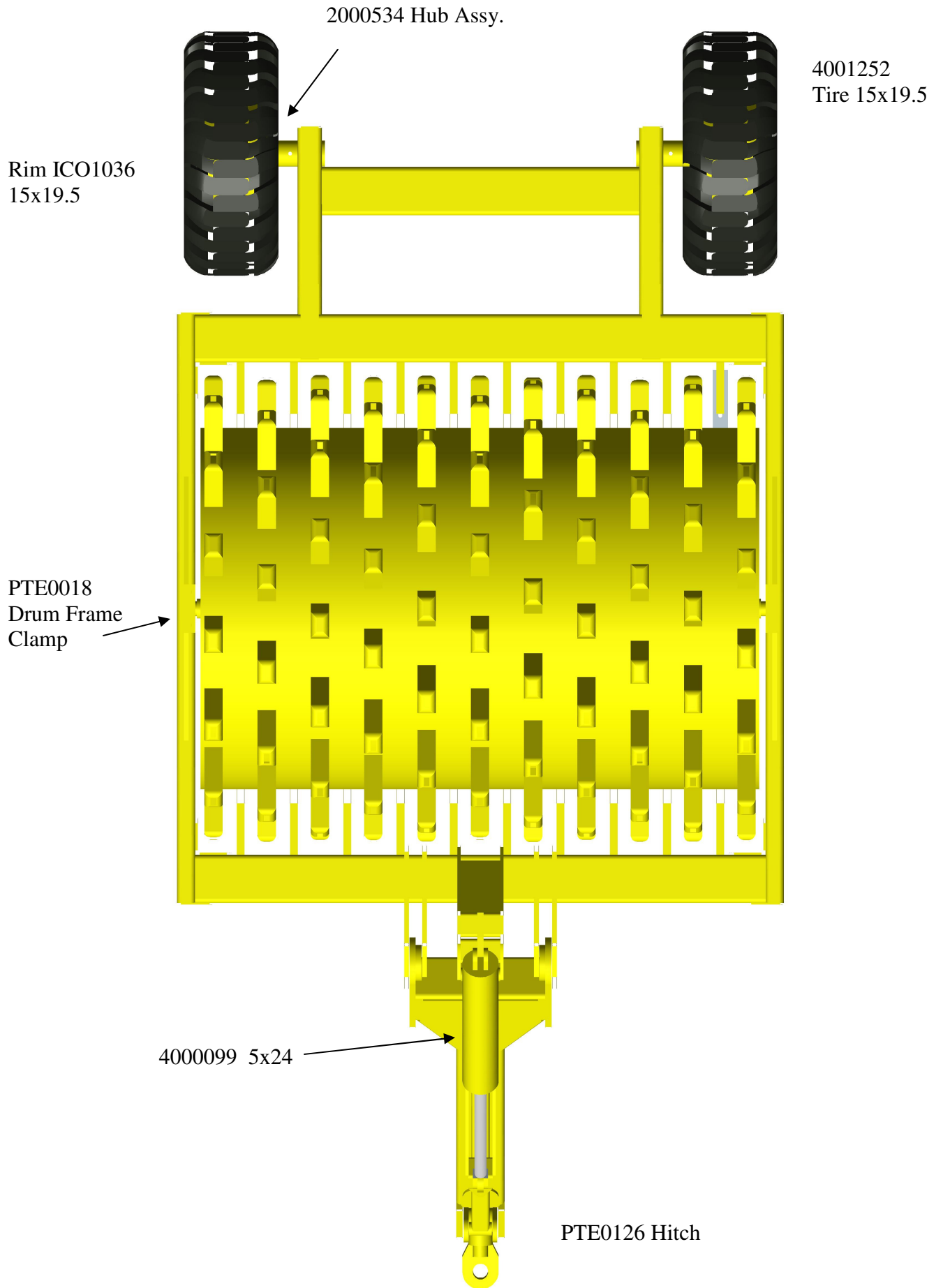


PTE0126 Hitch

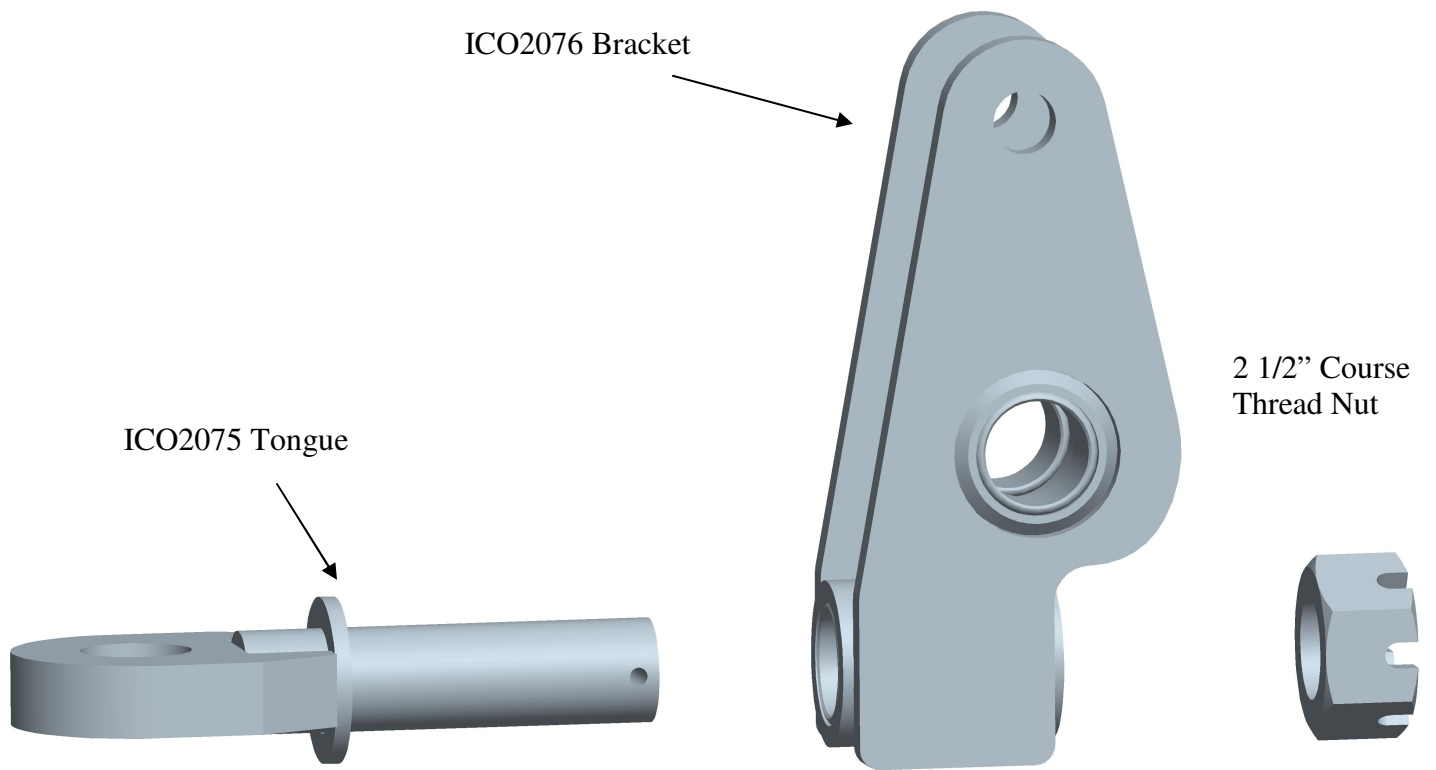


PTE0125 Parallel Linkage

Top View



# Packer Hitch Assembly



3/8 x 5" Cotter Pin is used to secure the nut.



ICO0072 , Pin 1 1/2x7.7"

Tongue Bracket  
ICO2076

ICO2005 2 1/2x9 1/2"

3/4 x 1 1/2" bolt  
Flat & Hard  
Washer

Tongue ICO2075



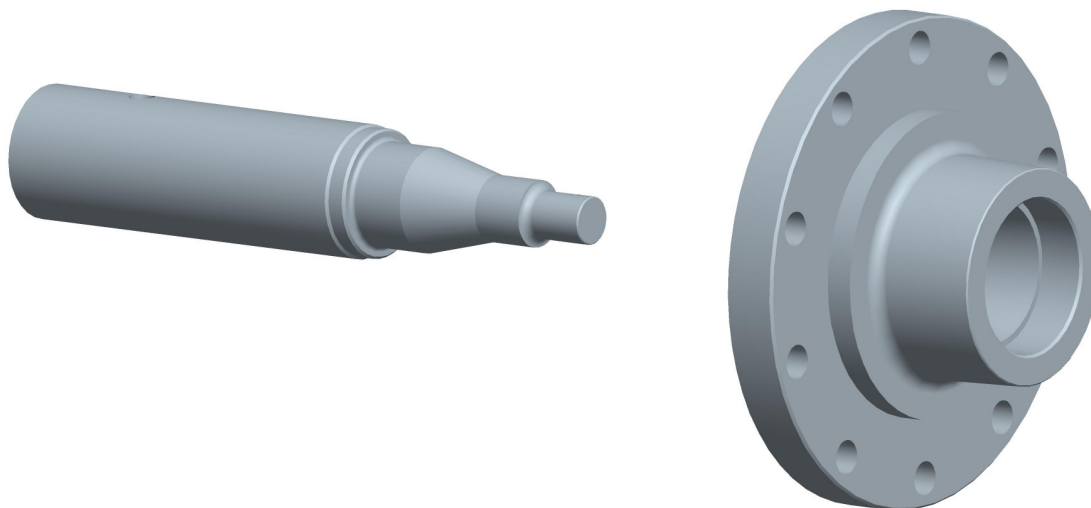
## Hub and Axle Assembly



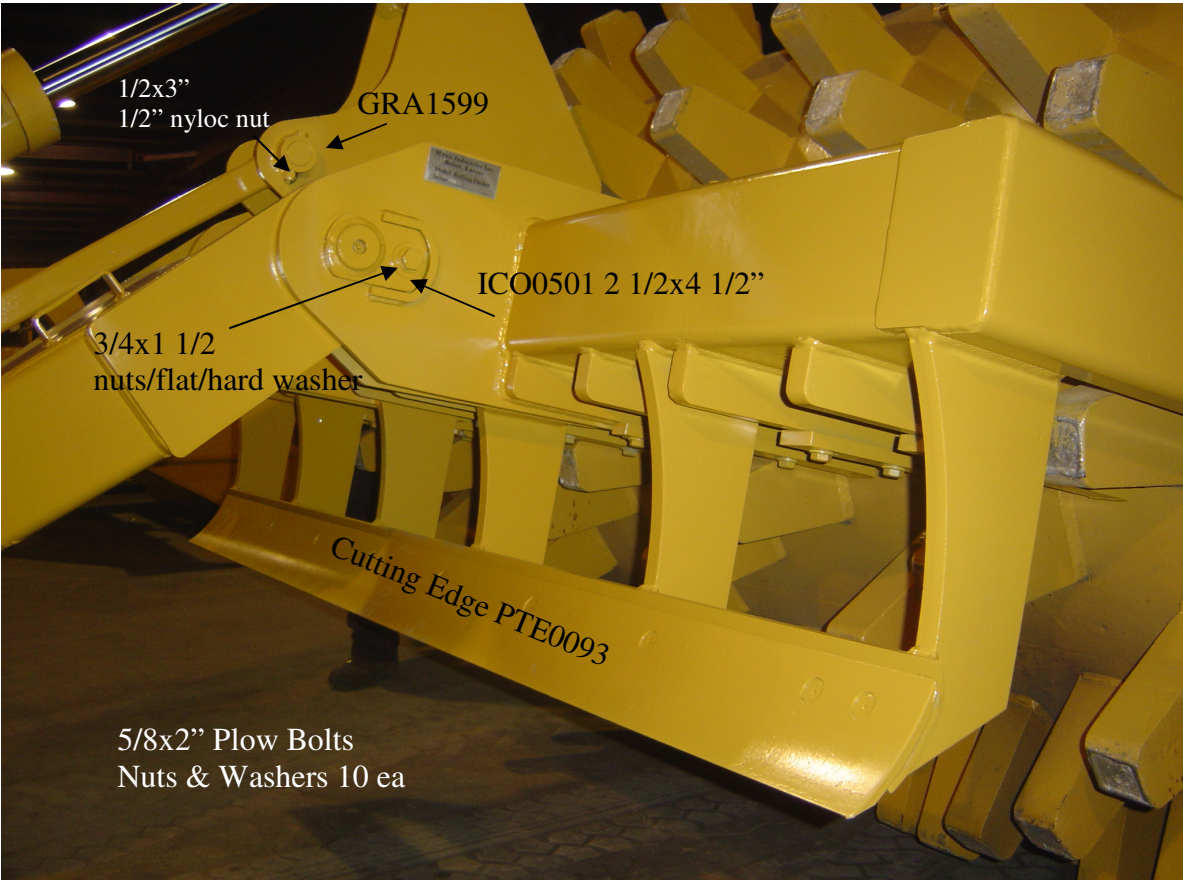
5/8 x 6" gr. 8 bolt  
5/8" Nyloc Nut

4000537 15,000# Hub w/ bearings,  
race and seals.

4000538 Axle



# Blade Assembly

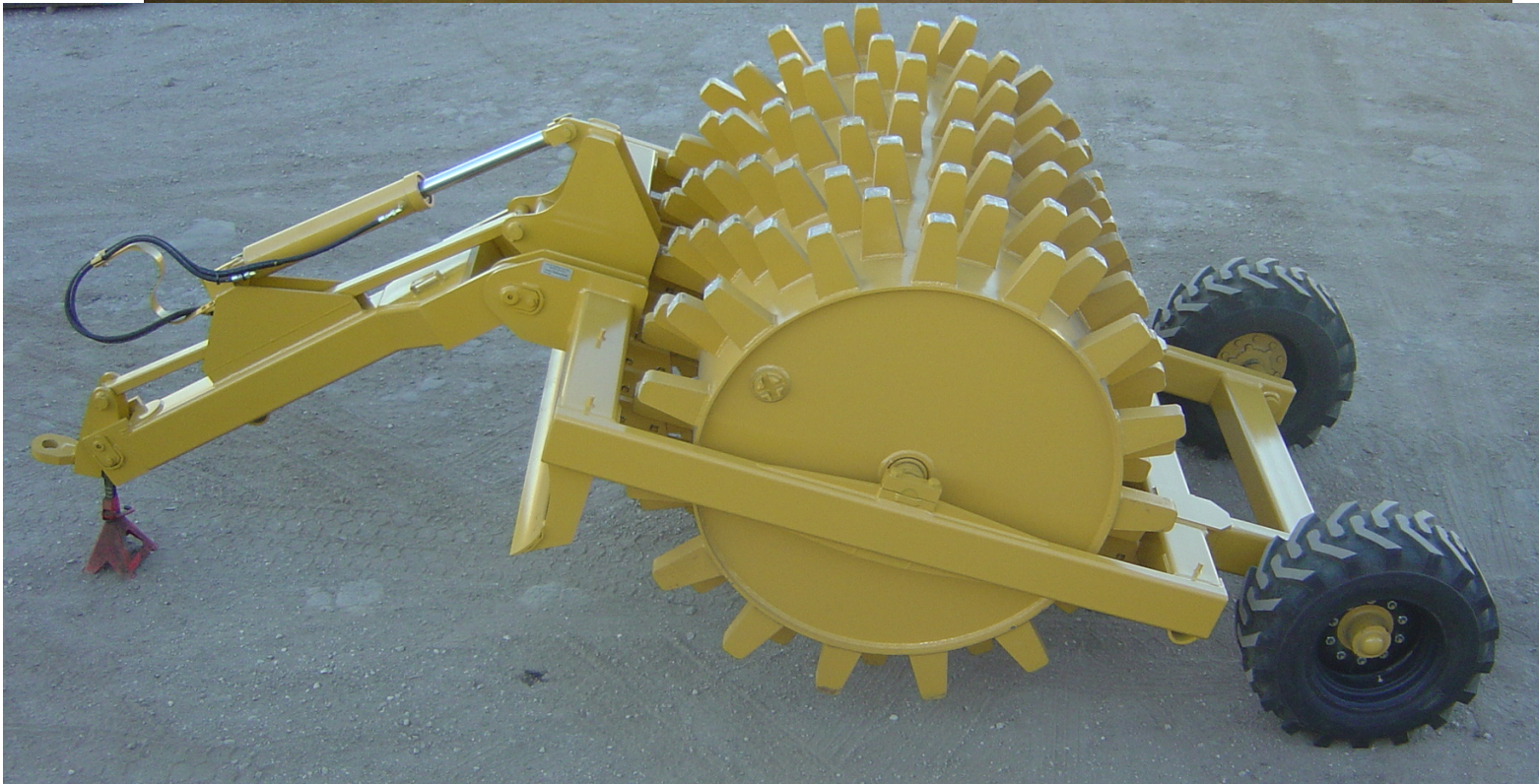


Shown are the bolt on cleaners PTE0111A.  
There are a total of 20 per machine. They are held in place with  
5/8 x 2 3/4" gr 8 bolts and 5/8" square nuts. (40)

5/8 x 2 3/4" gr.8













## Bolt Listing For Wheeled Rolling Packer

Part #	Description	Qty	Where Located
WFH	Washer, Flat, Hard 3/4"	3	
WF	Washer, Flat 3/4"	3	2.5" pin keepers
BH	Bolt, Hex 3/4x1 1/2" gr8	3	
BH	Bolt, Hex 1/2x3" gr5 HCS115	2	
NL	Nut, Nyloc 1/2" gr2	2	
BH	Bolt, Hex 1/2x1 1/2"	2	1.5" pin keepers
NS	Nut, Slotted 2 1/2" Course	1	
PC	Pin, Cotter 3/8x5"	1	Packer hitch
BP	Bolt, Plow 5/8x2" gr8	10	
WFH	Washer, Flat, Hard 5/8"	10	Cutting edges
NH	Nut, Hex 5/8" gr8	10	
BH	Bolt, Hex 1/2x1" gr5	3	Tandem holders
NH	Nut, Coupler 1/2x1 3/4"	3	
BH	Bolt, Hex 5/8x6" gr8	2	
NL	Nut, Nyloc 5/8 gr5	2	Axles
BH	Bolt, Hex 5/8x2 3/4" gr8	40	
NSQ	Nut, Square 5/8" gr8	40	Cleaners
WFH	Washer, Flat, Hard 5/8"	40	
PR	Pin, Roll 5/16x2"	2	Cyl. pins
BH	Bolt, Hex 1/2x1 1/2" gr8	3	
NL	Nut, Nyloc 1/2"	1	Hose holders
NH	Nut, Hex 1/2"	2	



**Intertek**

Equipment from Landoll Corporation is built to exacting standards ensured by ISO 9001 registration at all Landoll manufacturing facilities.

## Model 9360 Packer W/Wheels Service and Parts Manual

Re-Order Part Number F-972-0118

**LANDOLL CORPORATION**

1900 North Street

Marysville, Kansas 66508

(785) 562-5381

**800-428-5655 ~ WWW.LANDOLL.COM**



Copyright 2014. Landoll Corporation

“All rights reserved, including the right to reproduce this material or portions thereof in any form”