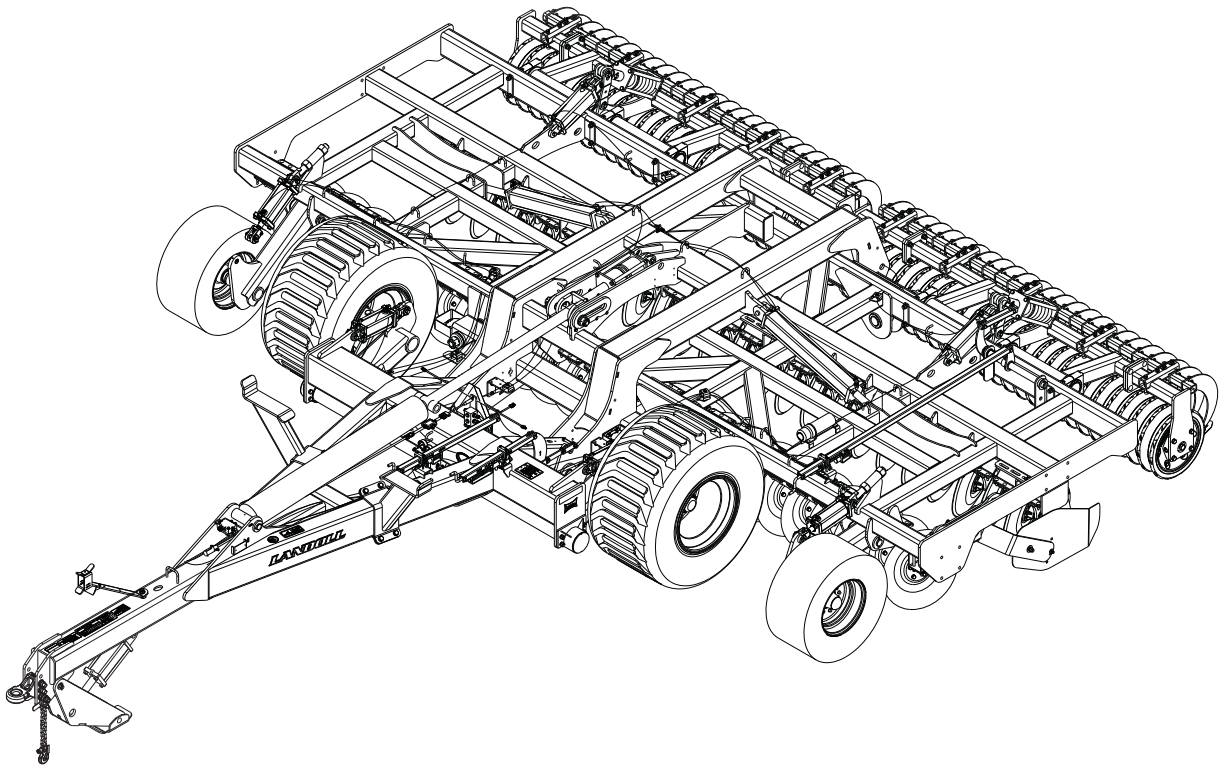




Model 7822
High Speed Landoll (HSL)
Parts Manual



LANDOLL COMPANY, LLC,

1900 North Street

Marysville, Kansas 66508

(785) 562-5381

800-428-5655 ~ WWW.LANDOLL.COM

Manuals for the 7822 HSL

Manual Number	Manual Name
F-1034	Parts Manual
F-1045	Operator's Manual

1 Illustrated Parts List

Instructions for Ordering Parts	1-1
Center Frame Assembly	1-2
Center Frame Assembly	1-2
Tilt Spring Cylinder Assembly	1-4
Wing Assemblies	1-6
Wing Assembly - Left Hand 15'	1-6
Wing Assembly - Left Hand 17'	1-10
Wing Assembly - Left Hand 20'	1-14
Wing Assembly - Left Hand 23'	1-18
Reel Depth Control Assembly	1-21
Wing Assembly - Right Hand 15'	1-22
Wing Assembly - Right Hand 17'	1-24
Wing Assembly - Right Hand 20'	1-28
Wing Assembly - Right Hand 23'	1-32
Hub and Spindles	1-36
Hub & Spindle Assembly - 8 Bolt	1-36
Hub & Spindle Assembly, 10 Bolt-193814 (Before 05/27/2020)	1-37
Hub & Spindle Assembly, 10 Bolt-193814 (After 05/27/2020)	1-38
Hitch Assemblies	1-40
Hitch Assemblies	1-40
Depth Control Assembly (218749)	1-43
Depth Control Assembly (218799)	1-44
Rear Gang Assemblies	1-46
Left Wing Rear Gang Assemblies	1-46
Right Wing Rear Gang Assemblies	1-47
Front Disc Assemblies	1-48
Left Wing Front Disc Assemblies	1-48
Right Wing Front Disc Assemblies	1-50
Disc Assemblies	1-52
Right Rear Disc Assembly - Notched	1-52
Right Disc Assembly - Smooth	1-53
Right Disc Assembly - Rollable	1-54
Left Rear Disc Assembly - Notched	1-55
Left Disc Assembly - Smooth	1-56
Left Disc Assembly - Rollable	1-57
Left Disc Assembly - Hybrid	1-58
Disc Hub Assembly	1-59
Scraper, Disc Blade	1-60
Spring Reel Assemblies	1-62
Spring Reel Assembly - 15'	1-62
Spring Reel Assembly - 17'	1-63
Spring Reel Assembly - 20'	1-64
Spring Reel Assembly - 23'	1-65
Spring Reel Assembly	1-66

Hemi Spring Reel Assembly - 15'	1-67
Hemi Spring Reel Assembly - 17'	1-68
Hemi Spring Reel Assembly - 20'	1-69
Hemi Spring Reel Assembly - 23'	1-70
Hemi Spring Reel Assembly	1-71
Spring Reel Mount Assembly	1-72
Spring Reel Extension Assemblies	1-73
Link Spring Cylinder Assemblies	1-74
Chevron Reel Assemblies	1-76
Single Reel Assembly - 15'	1-76
Single Reel Assembly - 17'	1-77
Single Reel Assembly - 20'	1-78
Single Reel Assembly - 23'	1-79
Double Reel Assembly - 15'	1-80
Double Reel Assembly - 17'	1-81
Double Reel Assembly - 20'	1-82
Double Reel Bottom Mount Assembly	1-83
Double Reel Side Mount Assembly	1-84
Rubber Roller Assemblies	1-86
Rubber Roller Assembly - 15'	1-86
Rubber Roller Assembly - 17'	1-88
Rubber Roller Assembly - 20'	1-90
Rubber Roller Assembly - 23'	1-92
Reel Mount Plate Assembly	1-94
Reel Mount Extension Assembly	1-95
Rubber Roller Assemblies	1-96
Hydraulics	1-98
Hydraulic Hitch Kit	1-98
Hydraulic System - Tilt Control	1-99
Hydraulic System - Front Gauge - 15'	1-100
Hydraulic System - Front Gauge - 17', 20', 23'	1-102
Hydraulic System - Rear Reel/Roller Circuit	1-104
Hydraulic System - Wing Fold Down Circuit - 15'	1-105
Hydraulic System - Wing Fold Down Circuit - 17', 20', 23'	1-106
Hydraulic Jack Assembly	1-108
Hydraulic Cylinder 7 X 60	1-109
Hydraulic Cylinder 4-1/2 X 30	1-110
Hydraulic Cylinder 4-1/2 X 8	1-111
Hydraulic Cylinder 4 X 8 - 145201	1-112
Hydraulic Cylinder 3-3/4 X 8 - 145202	1-113
Hydraulic Cylinder 3-3/4 X 10 Rephase	1-114
Hydraulic Cylinder 4 X 10 Rephase	1-115
Electrical	1-116
Electrical Assembly	1-116
Decals	1-120
Decals	1-120

2 Glossary

3 Index

Instructions For Ordering Parts

ORDER PARTS FROM LANDOLL PARTS DISTRIBUTION CENTER

**** Repair parts must be ordered through an Authorized Dealer ****

PHONE NO: 1-800-423-4320 OR 1-785-562-5381

FAX NO: 888-527-3909

ORDER ONLINE: Dealer.landoll.com

IDENTIFICATION PLATE

The identification plate, which lists the model number and serial number, is located on the front of the frame.
(See Figure 1-1.)

SERIAL NUMBER NOMENCLATURE

The serial number for the 7822 HSL is located on the identification plate.

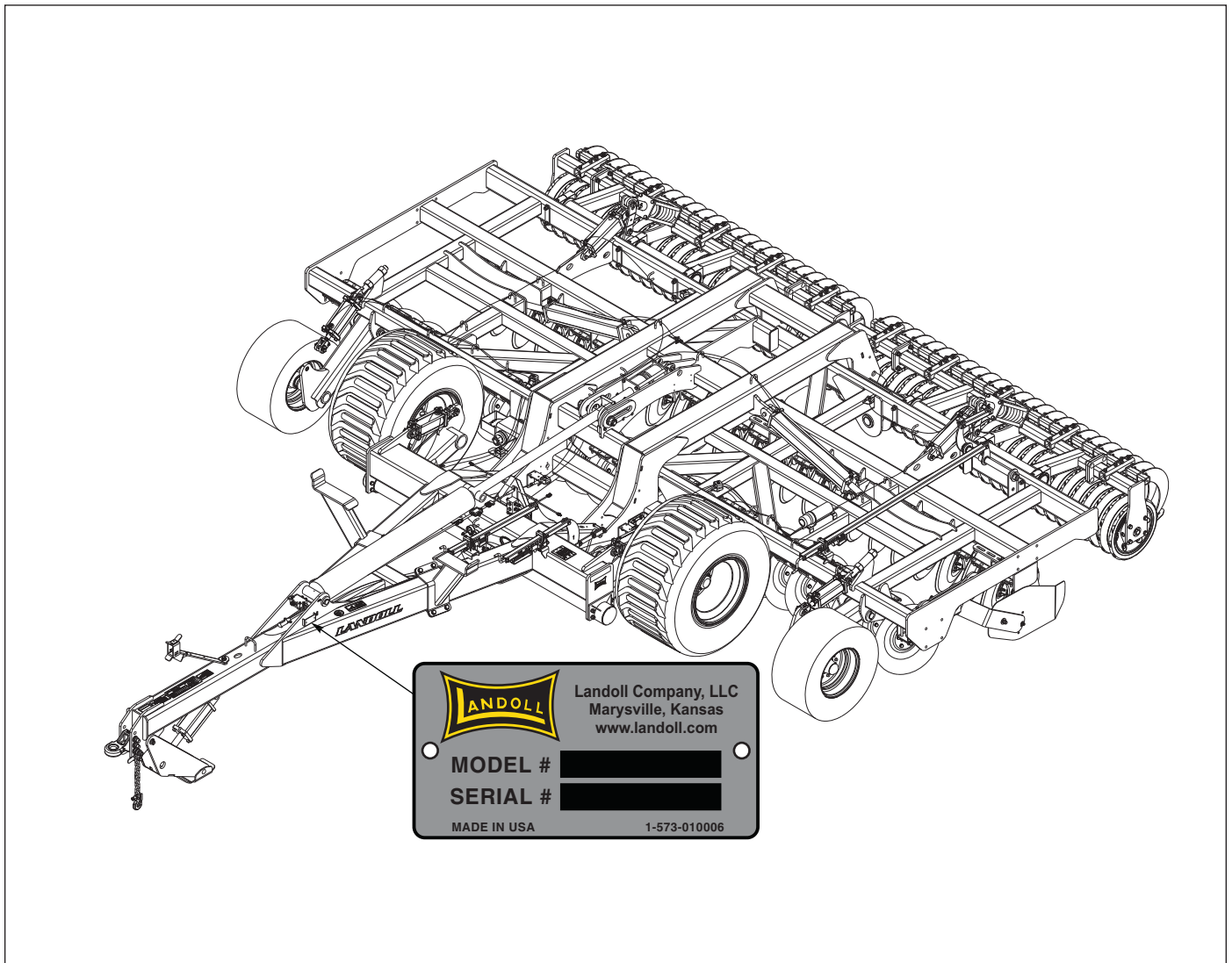


Figure 1-1: Identification Plate and Location

Center Frame Assembly

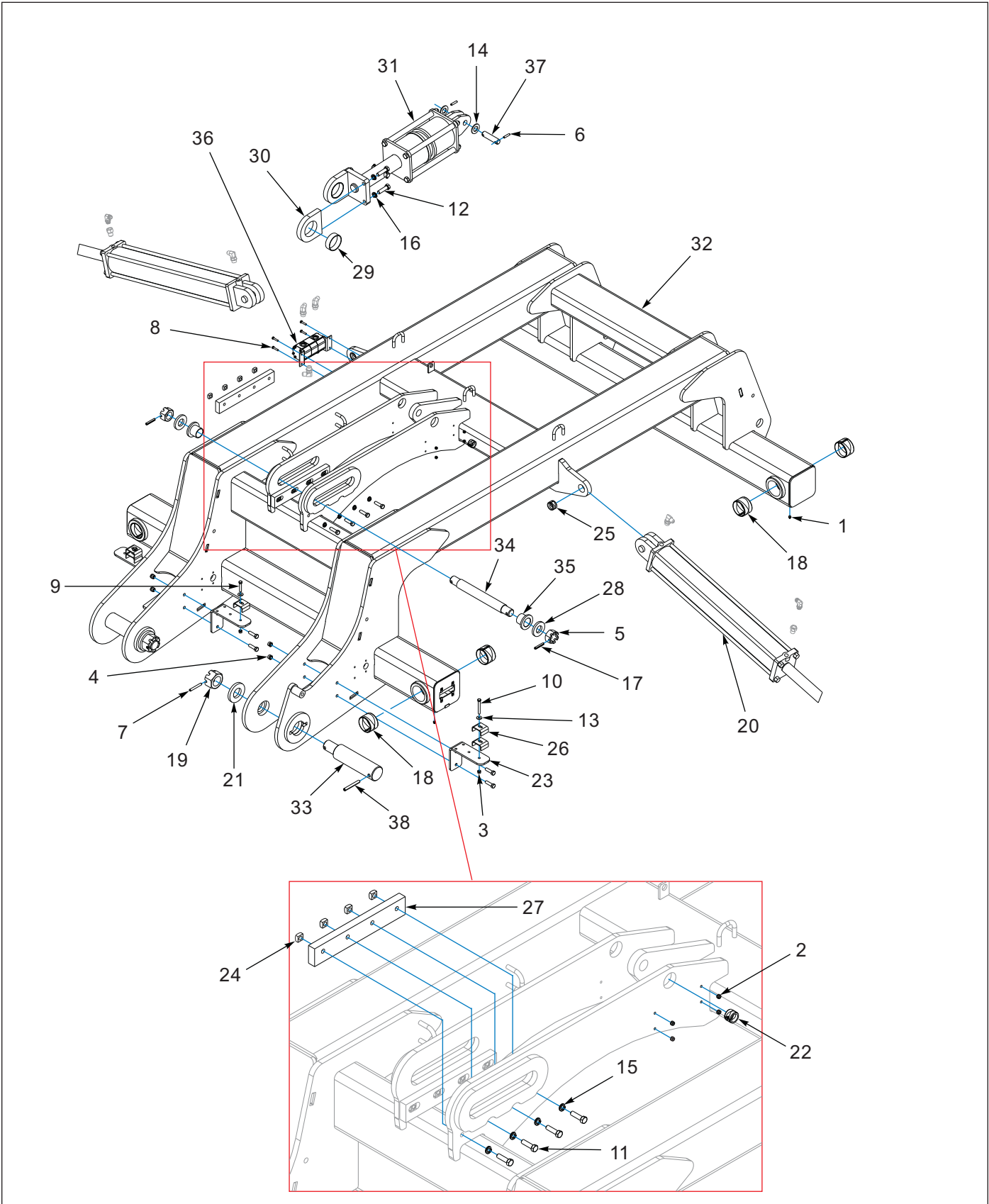


Figure 1-2: Center Frame Assembly

Center Frame Assembly

ITEM	PART NUMBER	DESCRIPTION	QTY.
	217331	FRAME-CENTER, 7822, ASM	--
1	1-298-010001-1	ZERK FITTING 1/4 SAE	4
2	1-512-010005-01	NUT, HEX, SLFLKG, 1/4-20 UNC, GRB	4
3	1-512-010005-05	NUT, HEX, SLFLKG, 3/8-16 UNC, GRB	3
4	1-512-010005-09	NUT,HEX,SLFLKG, 1/2-13 GRB	6
5	1-516-010001-27	NUT,HX SLOT 1-1/2-6 ZP	2
6	1-647-010004236	SPRING PIN,SLOTTED 5/16X1-1/2	2
7	1-647-010004259	SPRING PIN,SLOTTED 3/8X3	2
8	1-654-010047-07	SCREW,HX CP 1/4-20UNCX1-1/4G5	4
9	1-654-010051-09	SCREW,HEX CAP,3/8-16UNCX2 GR5	1
10	1-654-010051-13	SCREW,HX CP,3/8-16UNCX3,GR5	2
11	1-654-010055-04	SCREW,HEX CAP,1/2-13UNCX1-3/4	14
12	1-654-010059-06	SCREW,HEX CAP 5/8-11X2-1/4 G5	4
13	1-861-010032-11	WASHER, FLAT 3/8 W ZP/CD	3
14	1-861-010032-24	WASHER, FLAT, ZP/CD, IN	2
15	1-861-010034-13	WASHER, LKG HLCL SPR, 1/2	8
16	1-861-010034-15	WASHER,LKG,HLCL SPR,5/8	4
17	127712	PIN SPRING SLOTTED 3/8X2-1/4	2
18	144341	BUSHING, SPRING 3-1/4X3X2	8
19	172891	NUT HX SLOT 2-4-1/2 ZP	2
20	176035	CYLINDER, HYD 4-1/2X30 3000PSI	2
21	187317	WASHER-HEAVY, 4X2X1/2	2
22	192890	BUSHING 1-3/8ODX1 IDX1 STEEL	1
23	195283	PLATE-HOSE HOLDER MOUNT	3
24	1C380	NUT SQ 1/2-13NC	8
25	2-150-010174	BUSHING,1-5/8X1-1/4X1	2
26	2-181-010001	HOSE CLAMP	5
27	200793	GLIDE CYLINDER	2
28	203399	WASHER RETAINING 1-1/2	2
29	203433	BEARING-EWS, 3.02 X 3.254 X 1	2
30	203454	PLATE-YOKE BUSHING	2
31	209373	SPRING-TILT CYL, 80A-90A, ASM (SEE PAGE 1-4)	1
32	217324	FRAME-CENTER, 7822, WELDMENT	1
33	217397	PIN-STEP, 9-1/2 X 3	2
34	217942	PIN-MAST, 7833-25,30	1
35	217943	BUSHING-FLANGED, 1-3/4 X 2	2
36	218736	KIT-HYDRAULIC,CNTR FRAME, 7822	1
37	8K047	PIN - 1 X 4 1/16	1
38	8K756	ROLL PIN 1/2 x 4	2
39	219943	KIT-HYD HOSE, 7822-23 (NOT SHOWN)	8

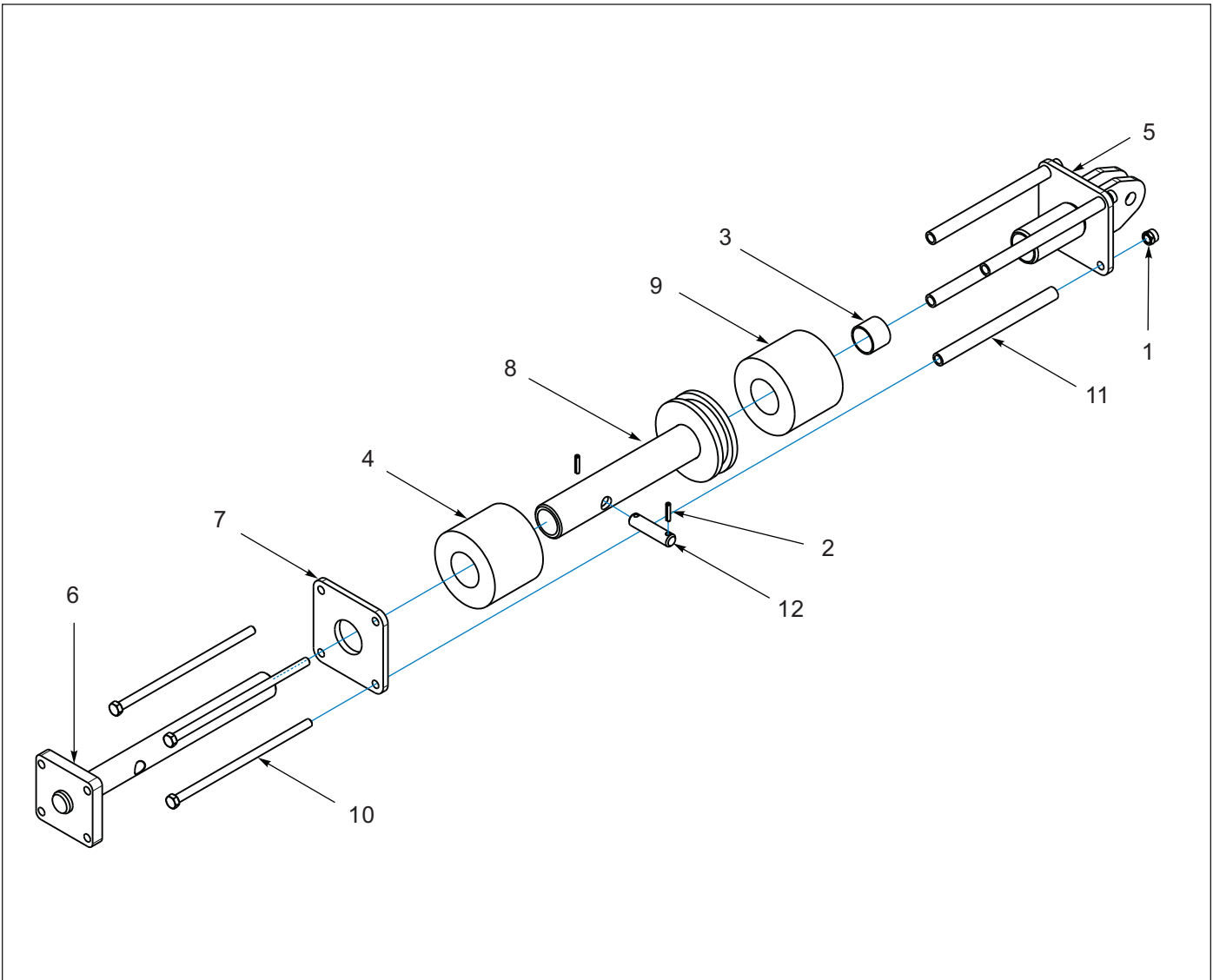


Figure 1-3: Tilt Spring Cylinder Assembly

Tilt Spring Cylinder Assembly

ITEM	PART NUMBER	DESCRIPTION	QTY.
	209373	SPRING-TILT CYL, 80A-90A, ASM	--
1	1-512-010005-13	NUT,HEX SLFLKG GRB 5/8-11	4
2	1-647-010004236	ROLL PIN, SLTD, 5/16X1-1/2	2
3	197140	BUSHING POLYLUBE 2-1.4X2X1-3/4	1
4	207532	SPRING-ROCKSHAFT, URETHANE,80A (BLUE)	1
5	207564	BASE-SPRING, WLDMT	1
6	207566	ROD-SPRING, WELDMENT	1
7	207567	PLATE-SPRING STOP	1
8	207571	MOUNT-SPRING, WLDMT	1
9	209171	SPRING-URETHANE, 90A (BLACK)	1
10	217299	SCREW, HEX 5/8-11UNCX14,GR5	4
11	217989	TUBE, TIE ROD-SPACER 12 IN	4
12	8K047	PIN - 1 X 4 1/16	1

Wing Assemblies

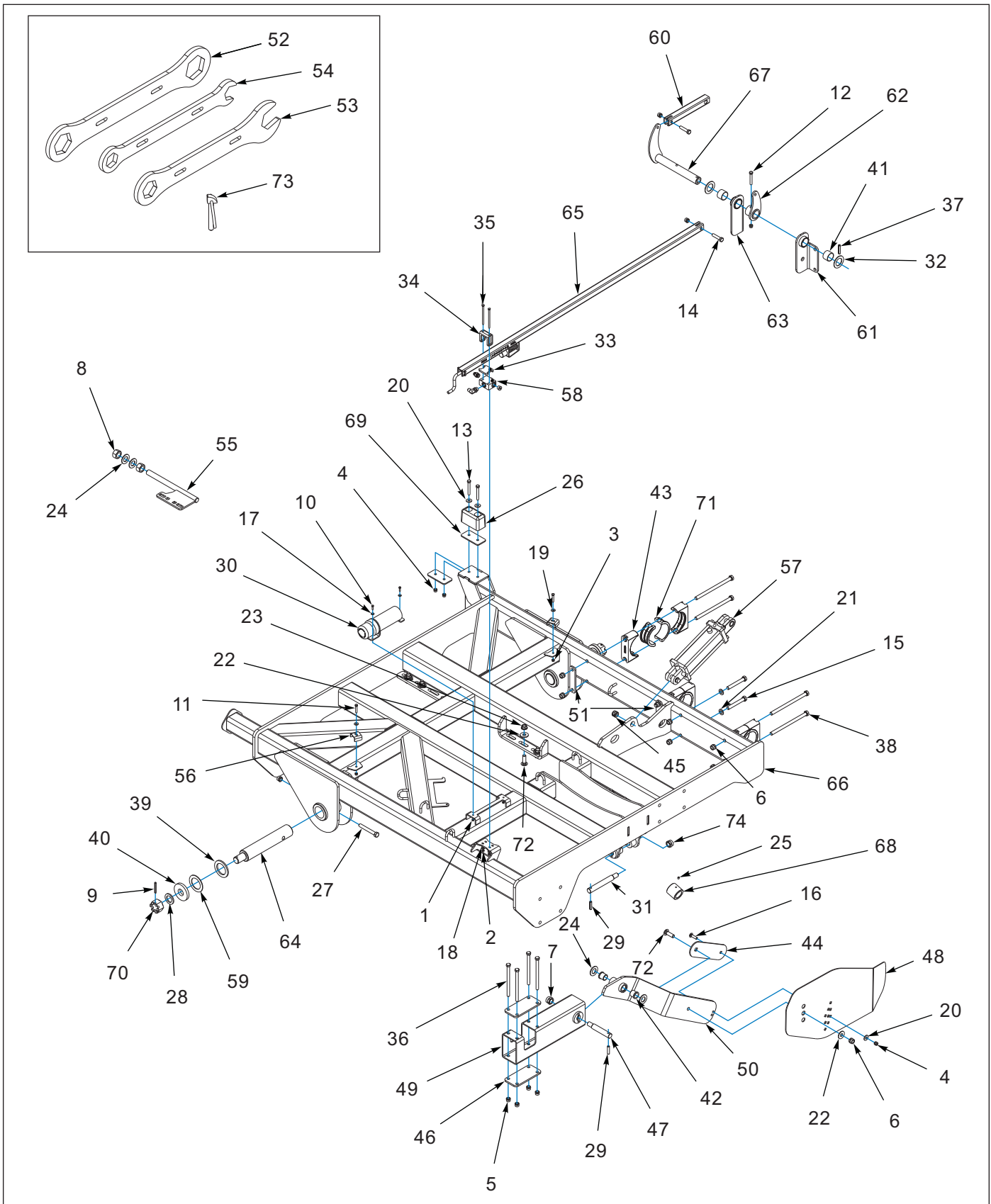


Figure 1-4: Wing Assembly - Left Hand 15'

Wing Assembly - Left Hand 15'

ITEM	PART NUMBER	DESCRIPTION	QTY.
	219517	WING-7822-15, LH, ASSY	--
1	1-512-010005-01	NUT,HEX,SLFLKG GRB 1/4-20	2
2	1-512-010005-03	NUT HEX SLFLKG GRB 5/16-18	2
3	1-512-010005-05	NUT, HEX, SLFLKG GRB 3/8-16	4
4	1-512-010005-09	NUT,HEX,SLFLKG, 1/2-13 GRB	4
5	1-512-010005-13	NUT,HEX SLFLKG GRB 5/8-11	6
6	1-512-010005-15	NUT,HEX,SLFLKG GRB 3/4-10	11
7	1-512-010005-19	NUT 1-8 HEX SLF-LOCKING GRB (BEFORE 09/18/2020, QTY=2) (AFTER 09/18/2020, QTY=1)	1
8	1-512-010007-16	NUT,HEX 1-1/4-7 GR2 ZP	2
9	1-647-010004259	SPRING PIN, SLOTTED 3/8X3	2
10	1-654-010047-06	SCREW, HX CP 1/4-20UNCX1 FR5	2
11	1-654-010051-09	SCREW,HEX CAP,3/8-16UNCX2 GR5	4
12	1-654-010055-10	SCREW HEX CAP 1/2-13X3-1/4GR5	1
13	1-654-010055-12	SCREW,CP,HX .50-13UNCX3.75 GR5	2
14	1-654-010059-08	SCREW HX CP 5/8-11UNCX2-3/4G5	2
15	1-654-010061-16	SCREW 3/4-10UNCX5-1/2 HXCP G5	2
16	1-654-010070-05	SCREW,RDHD SQNCK 1/2-13X2 GR5	1
17	1-861-010032-07	WASHER,FLAT 1/4 ZP	2
18	1-861-010032-08	WASHER,FLAT 5/16 N ZP	2
19	1-861-010032-11	WASHER, FLAT 3/8 W ZP/CD	4
20	1-861-010032-15	WASHER, FLAT 1/2 W ZP/CD	3
21	1-861-010032-20	WASHER, FLAT,3/4 N ZP/CD	2
22	1-861-010032-21	WASHER, FLAT 3/4 W ZP/CD	13
23	103841	NUT,FLG,LNK,SERRATED 3/4-10UNC	12
24	116100	WASHER 1-1/4 NAR FL ZP/CD	4
25	122709	SCREW,SET,HXSKTCPPT 3/8-16X1/2	1
26	128874	BUMPER RUBBER 6X3X3-1/2	1
27	139201	SCREW,HX CP 3/4-10UNCX5.50GR8	2
28	141151	WASHER, RETAINING	2
29	141251	SPRING PIN,SLOTTED 1/2X2-1/4	2
30	142753	MANUAL HOLDER	1
31	210887	PIN, 1-1/4 X 7-1/4, STEP	1
32	164471	WASHER, THRUST 2"	2
33	165257	PAD, SLIDE	1
34	165265	GUIDE, DEPTH STOP	1
35	171556	SCREW,HEX CP,5/16-18UNCX5-1/2	2
36	171892	SCREW, HEX CAP 5/8-11UNCX9 GR5	4
37	172802	PIN SPRING SLOTTED 1/2X2-1/2	1
38	172919	SCREW HX CP,3/4-10X12 GR8 ZP	6
39	175677	PLATE, THRUST WASHER WING	2
40	175686	PLATE THRUST WASHER WING	2
41	183815	BUSHING, 2-1/4 X 2 X 1-1/2 L	2

Wing Assembly - Left Hand 15'

ITEM	PART NUMBER	DESCRIPTION	QTY.
42	184413	BEARING, FLANGE 1-1/4	2
43	188038	BRG HALF, 4-1/2 INSERT	6
44	192594	PLATE-BACKER	1
45	192890	BUSHING 1-3/8ODX1 IDX1 STEEL	1
46	193699	PLATE-STRAP	2
47	193730	PIN-SHOULDER, 1-1/4 X 5	1
48	193757	BLADE-LEVELER	1
49	193758	MOUNT-BLADE LEVELER, WELDMENT	1
50	193763	ARM-LEVELER MOUNT, WELDMENT	1
51	195115	PLATE-BACKER, BEARING	2
52	219950	WRENCH, ADJUSTMENT	1
53	219951	WRENCH, ADJUSTMENT	1
54	195277	WRENCH, ADJUSTMENT	1
55	195279	BRACKET-GANG ADJUSTMENT,WLD	1
56	2-181-010001	HOSE CLAMP	4
57	201275	CYLINDER, 4 X 10 REPHASE (SEE PAGE 1-114)	1
58	203467	VALVE-LIMIT, STROKE	1
59	206709	WASHER, THRUST - 3"	2
60	209194	TUBE-REEL CONTROL	1
61	209219	WLDMT BRACKET-PIVOT	1
62	209366	WLDMT ARM-CRANK, REEL CONTROL	1
63	217302	BRACKET-REEL CONTROL, WLDMT	1
64	217396	PIN-SHOULDER, 3X11.8	2
65	218707	TUBE-REEL CONTROL, ASSY (SEE PAGE 1-21)	1
66	219512	FRAME-WING, 7822-15 LH, WLDMNT	1
67	219530	TUBE, REEL CONTROL, WELDMENT	1
68	219579	TUBE, CYLINDER-STOP	1
69	219580	PLATE-SHIM STOP	2
70	23085	NUT HEX SLOTTED 1 3/4-5	2
71	2P793	BRG INSERT, 4 1/2 INSERT	6
72	3/4-10X2-1/2CB	SCREW, RDH, SQ NK, 3/4-10X2-1/2	13
73	70239854	PIN QUICK HITCH	1
74	226579	NUT HX SLFLKG 1-14 GRB ZP (AFTER 09/18/2020)	1

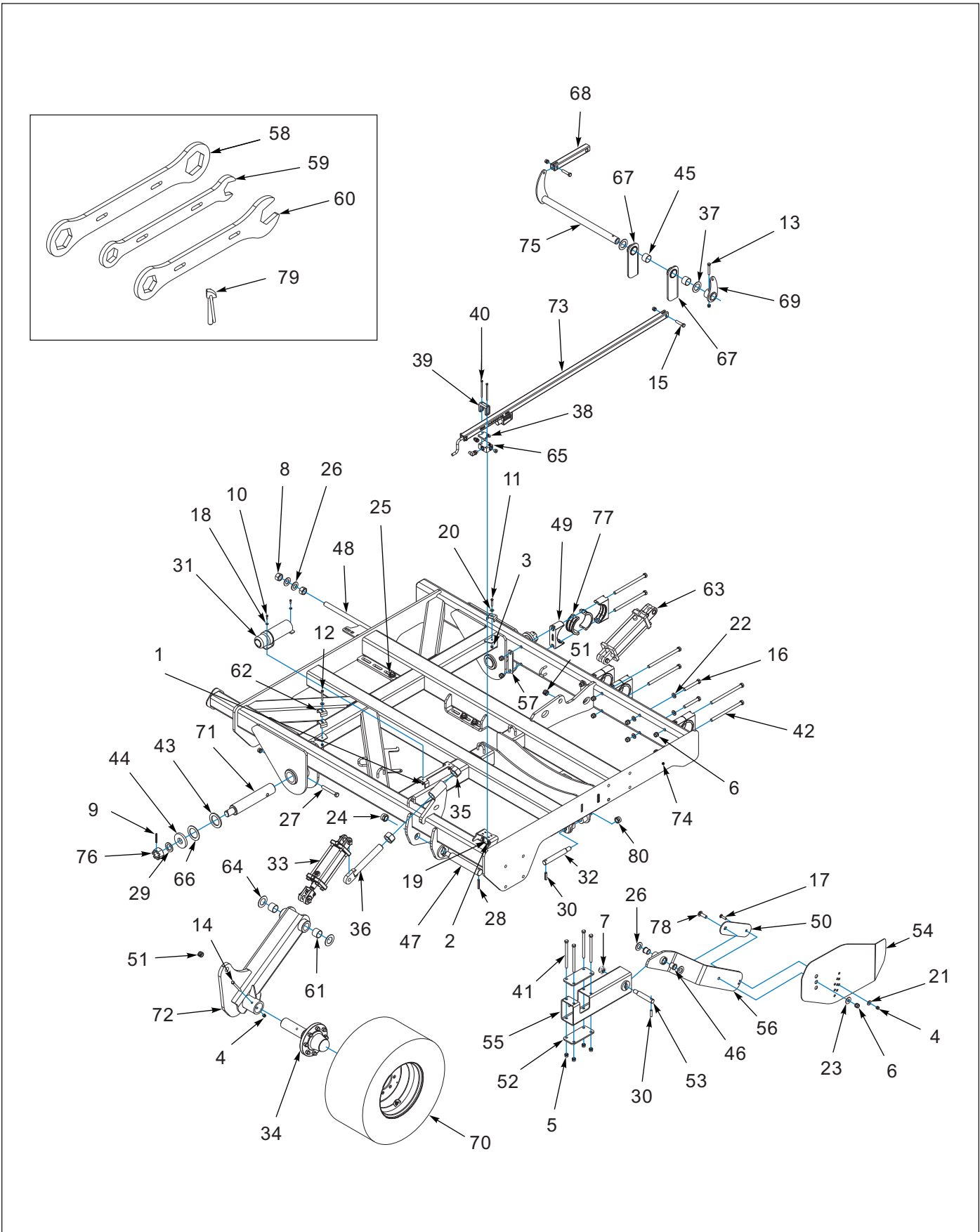


Figure 1-5: Wing Assembly - Left Hand 17'

Wing Assembly - Left Hand 17'

ITEM	PART NUMBER	DESCRIPTION	QTY.
	219519	WING-7822-17, LH, ASSY	--
1	1-512-010005-01	NUT,HEX,SLFLKG GRB 1/4-20	2
2	1-512-010005-03	NUT HEX SLFLKG GRB 5/16-18	2
3	1-512-010005-05	NUT, HEX, SLFLKG GRB 3/8-16	4
4	1-512-010005-09	NUT,HEX,SLFLKG, 1/2-13 GRB	3
5	1-512-010005-13	NUT,HEX SLFLKG GRB 5/8-11	6
6	1-512-010005-15	NUT,HEX,SLFLKG GRB 3/4-10	13
7	1-512-010005-19	NUT 1-8 HEX SLF-LOCKING GRB (BEFORE 09/18/2020, QTY=2) (AFTER 09/18/2020, QTY=1)	1
8	1-512-010007-16	NUT,HEX 1-1/4-7 GR2 ZP	2
9	1-647-010004259	SPRING PIN, SLOTTED 3/8X3	2
10	1-654-010047-06	SCREW, HEX, 1/4-20UNCX1GR5	2
11	1-654-010051-09	SCREW,HEX CAP,3/8-16UNCX2 GR5	3
12	1-654-010051-13	SCREW,HX CP,3/8-16UNCX3,GR5	1
13	1-654-010055-10	SCREW HEX CAP 1/2-13X3-1/4GR5	1
14	1-654-010055-15	SCR, HX CP, 1/2-13UNCX5 GR5	1
15	1-654-010059-08	SCREW HX CP 5/8-11UNCX2-3/4G5	2
16	1-654-010061-16	SCREW 3/4-10UNCX5-1/2 HXCP G5	2
17	1-654-010070-05	SCREW,RDHD SQNCK 1/2-13X2 GR5	1
18	1-861-010032-07	WASHER,FLAT 1/4 ZP	2
19	1-861-010032-08	WASHER,FLAT 5/16 N ZP	2
20	1-861-010032-11	WASHER, FLAT 3/8 W ZP/CD	4
21	1-861-010032-15	WASHER, FLAT 1/2 W ZP/CD	1
22	1-861-010032-20	WASHER, FLAT,3/4 N ZP/CD	4
23	1-861-010032-21	WASHER, FLAT 3/4 W ZP/CD	13
24	101385	NUT,HEX SLFLKG,1-1/4-7 GRB	1
25	103841	NUT,FLG,LNK,SERRATED 3/4-10UNC	12
26	116100	WASHER 1-1/4 NAR FL ZP/CD	4
27	139201	SCREW,HX CP 3/4-10UNCX5.50GR8	2
28	140191	PIN, GROOVED ALLOY 1/2X3	1
29	141154	WASHER GANG SHAFT	2
30	141251	SPRING PIN,SLOTTED 1/2X2-1/4	2
31	142753	MANUAL HOLDER	1
32	210887	PIN, 1-1/4 X 7-1/4, STEP	1
33	201276	CYLINDER 3-3/4 X 10 REPHASE (SEE PAGE 1-114)	1
34	156972	HUB & SPINDLE ASSY, 8 BOLT (SEE PAGE 1-36)	1
35	159954	NUT HEX 1-3/4-5UNC GR2	2
36	159955	ROD, CYLINDER ANCHOR	1
37	164471	WASHER, THRUST 2"	2
38	165257	PAD, SLIDE	1
39	165265	GUIDE, DEPTH STOP	1
40	171556	SCREW,HEX CP,5/16-18UNCX5-1/2	2
41	171892	SCREW, HEX, 5/16-11UNCX9, GR5	4
42	172919	SCREW HX CP,3/4-10X12 GR8 ZP	8

Wing Assembly - Left Hand 17'

ITEM	PART NUMBER	DESCRIPTION	QTY.
43	175677	PLATE, THRUST WASHER WING	2
44	175686	PLATE THRUST WASHER WING	2
45	183815	BUSHING, 2-1/4 X 2 X 1-1/2 L	2
46	184413	BEARING, FLANGE 1-1/4	2
47	187318	PIN SHOULDER 2 X 11-5/8	1
48	187632	ADJUSTING BRACKET	1
49	188038	BRG HALF, 4-1/2 INSERT	8
50	192594	PLATE-BACKER	1
51	192890	BUSHING 1-3/8ODX1 IDX1 STEEL	2
52	193699	PLATE-STRAP	2
53	193730	PIN-SHOULDER, 1-1/4 X 5	1
54	193757	BLADE-LEVELER	1
55	193758	MOUNT-BLADE LEVELER, WELDMENT	1
56	193763	ARM-LEVELER MOUNT, WELDMENT	1
57	195115	PLATE-BACKER, BEARING	2
58	219950	WRENCH, ADJUSTMENT	1
59	219951	WRENCH, ADJUSTMENT	1
60	195277	WRENCH, ADJUSTMENT	1
61	197140	BUSHING POLYLUBE 2-1.4X2X1-3/4	2
62	2-181-010001	CLAMP	5
63	201275	CYLINDER, 4 X 10 REPHASE (SEE PAGE 1-114)	1
64	202844	WASHER, 2 X 3-1/2 X 14 GA, SS	2
65	203467	VALVE-LIMIT, STROKE	1
66	206709	WASHER, THRUST - 3"	2
67	209189	WLDMT BRACKET-REEL CONTROL	2
68	209194	TUBE-REEL CONTROL	1
69	209366	WLDMT ARM-CRANK, REEL CONTROL	1
70	215351	TIRE&WHL ASSY, VF410/50R16.5	1
71	217396	PIN-SHOULDER, 3X11.8	2
72	218701	ARM-GAUGE WHEEL LH, WLDMT	1
73	218707	TUBE-REEL CONTROL, ASSY (SEE PAGE 1-21)	1
74	219508	FRAME-WING, 7822-17 LH, WLDMNT	1
75	219939	TUBE-REEL CONTROL, WELDMENT	1
76	23085	NUT HEX SLOTTED 1 3/4-5	2
77	2P793	BRG INSERT, 4 1/2 INSERT	8
78	3/4-10X2-1/2CB	SCREW, RDH, SQ NK, 3/4-10X2-1/2	13
79	70239854	PIN QUICK HITCH	1
80	226579	NUT HX SLFLKG 1-14 GRB ZP (AFTER 09/18/2020)	1

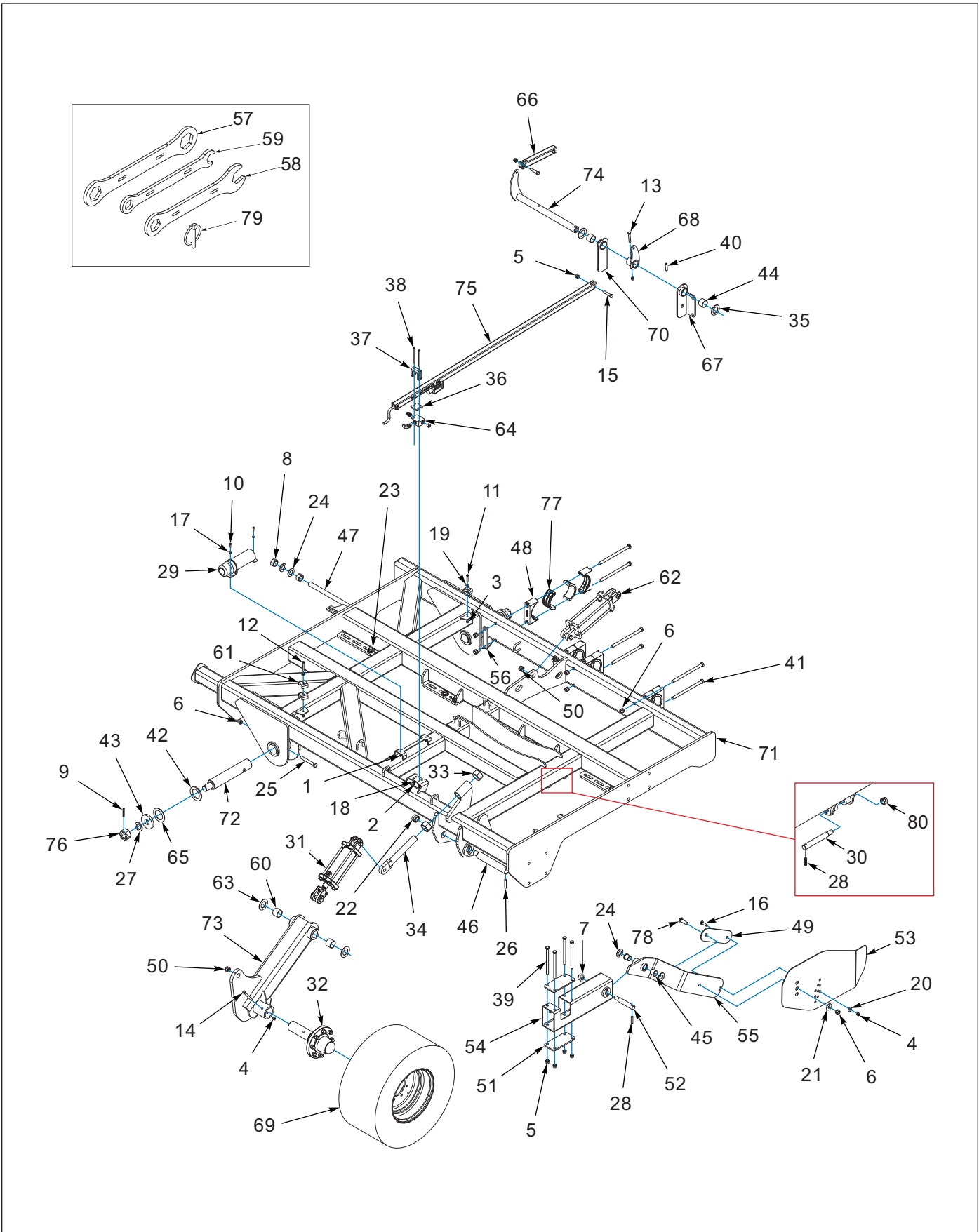


Figure 1-6: Wing Assembly - Left Hand 20'

Wing Assembly - Left Hand 20'

ITEM	PART NUMBER	DESCRIPTION	QTY.
	217329	WING-7822-20, LH, ASSY	--
1	1-512-010005-01	NUT,HEX,SLFLKG GRB 1/4-20	2
2	1-512-010005-03	NUT HEX SLFLKG GRB 5/16-18	2
3	1-512-010005-05	NUT, HEX, SLFLKG GRB 3/8-16	4
4	1-512-010005-09	NUT,HEX,SLFLKG, 1/2-13 GRB	3
5	1-512-010005-13	NUT,HEX SLFLKG GRB 5/8-11	6
6	1-512-010005-15	NUT,HEX,SLFLKG GRB 3/4-10	13
7	1-512-010005-19	NUT 1-8 HEX SLF-LOCKING GRB (BEFORE 09/18/2020, QTY=2) (AFTER 09/18/2020, QTY=1)	1
8	1-512-010007-16	NUT,HEX 1-1/4-7 GR2 ZP	2
9	1-647-010004259	SPRING PIN, SLOTTED 3/8X3	2
10	1-654-010047-06	SCREW, HEX, 1/4-20UNCX1GR5	2
11	1-654-010051-09	SCREW,HEX CAP,3/8-16UNCX2 GR5	3
12	1-654-010051-13	SCREW,HX CP,3/8-16UNCX3,GR5	1
13	1-654-010055-10	SCREW HEX CAP 1/2-13X3-1/4GR5	1
14	1-654-010055-15	SCR, HX CP, 1/2-13UNCX5 GR5	1
15	1-654-010059-08	SCREW HX CP 5/8-11UNCX2-3/4G5	2
16	1-654-010070-05	SCREW,RDHD SQNCK 1/2-13X2 GR5	1
17	1-861-010032-07	WASHER,FLAT 1/4 ZP	2
18	1-861-010032-08	WASHER,FLAT 5/16 N ZP	2
19	1-861-010032-11	WASHER, FLAT 3/8 W ZP/CD	4
20	1-861-010032-15	WASHER, FLAT 1/2 W ZP/CD	1
21	1-861-010032-21	WASHER, FLAT 3/4 W ZP/CD	13
22	101385	NUT,HEX SLFLKG,1-1/4-7 GRB	1
23	103841	NUT,FLG,LNK,SERRATED 3/4-10UNC	12
24	116100	WASHER 1-1/4 NAR FL ZP/CD	4
25	139201	SCREW,HX CP 3/4-10UNCX5.50GR8	2
26	140191	PIN, GROOVED ALLOY 1/2X3	1
27	141154	WASHER GANG SHAFT	2
28	141251	SPRING PIN,SLOTTED 1/2X2-1/4	2
29	142753	MANUAL HOLDER	1
30	210887	PIN, 1-1/4 X 7-1/4, STEP	1
31	201276	CYLINDER 3-3/4 X 10 REPHASE (SEE PAGE 1-114)	1
32	156972	HUB & SPINDLE ASSY, 8 BOLT (SEE PAGE 1-36)	1
33	159954	NUT HEX 1-3/4-5UNC GR2	2
34	159955	ROD, CYLINDER ANCHOR	1
35	164471	WASHER, THRUST 2"	2
36	165257	PAD, SLIDE	1
37	165265	GUIDE, DEPTH STOP	1
38	171556	SCREW,HEX CP,5/16-18UNCX5-1/2	2
39	171892	SCREW, HEX, 5/16-11UNCX9, GR5	4
40	172802	PIN SPRING SLOTTED 1/2X2-1/2	
41	172919	SCREW HX CP,3/4-10X12 GR8 ZP	8
42	175677	PLATE, THRUST WASHER WING	2

Wing Assembly - Left Hand 20'

ITEM	PART NUMBER	DESCRIPTION	QTY.
43	175686	PLATE THRUST WASHER WING	2
44	183815	BUSHING, 2-1/4 X 2 X 1-1/2 L	2
45	184413	BEARING, FLANGE 1-1/4	2
46	187318	PIN SHOULDER 2 X 11-5/8	1
47	187632	ADJUSTING BRACKET	1
48	188038	BRG HALF, 4-1/2 INSERT	8
49	192594	PLATE-BACKER	1
50	192890	BUSHING 1-3/8ODX1 IDX1 STEEL	2
51	193699	PLATE-STRAP	2
52	193730	PIN-SHOULDER, 1-1/4 X 5	1
53	193757	BLADE-LEVELER	1
54	193758	MOUNT-BLADE LEVELER, WELDMENT	1
55	193763	ARM-LEVELER MOUNT, WELDMENT	1
56	195115	PLATE-BACKER, BEARING	2
57	219950	WRENCH, ADJUSTMENT	1
58	219951	WRENCH, ADJUSTMENT	1
59	195277	WRENCH, ADJUSTMENT	1
60	197140	BUSHING POLYLUBE 2-1.4X2X1-3/4	2
61	2-181-010001	CLAMP	5
62	201275	CYLINDER, 4 X 10 REPHASE (SEE PAGE 1-114)	1
63	202844	WASHER, 2 X 3-1/2 X 14 GA, SS	2
64	203467	VALVE-LIMIT, STROKE	1
65	206709	WASHER, THRUST - 3"	2
66	209194	TUBE-REEL CONTROL	1
67	209219	WLDMT BRACKET-PIVOT	1
68	209366	WLDMT ARM-CRANK, REEL CONTROL	1
69	215351	TIRE&WHL ASSY, VF410/50R16.5	1
70	217302	BRACKET-REEL CONTROL, WLDMT	1
71	217325	FRAME-WING, 7822-20 LH, WLDMT	1
72	217396	PIN-SHOULDER, 3X11.8	2
73	218701	ARM-GAUGE WHEEL LH, WLDMT	1
74	218705	TUBE-REEL CONTROL, WLDMT	1
75	218707	TUBE-REEL CONTROL, ASSY (SEE PAGE 1-21)	1
76	23085	NUT HEX SLOTTED 1 3/4-5	2
77	2P793	BRG INSERT, 4 1/2 INSERT	8
78	3/4-10X2-1/2CB	SCREW, RDH, SQ NK, 3/4-10X2-1/2	17
79	70239854	PIN QUICK HITCH	1
80	226579	NUT HX SLFLKG 1-14 GRB ZP (AFTER 09/18/2020)	1

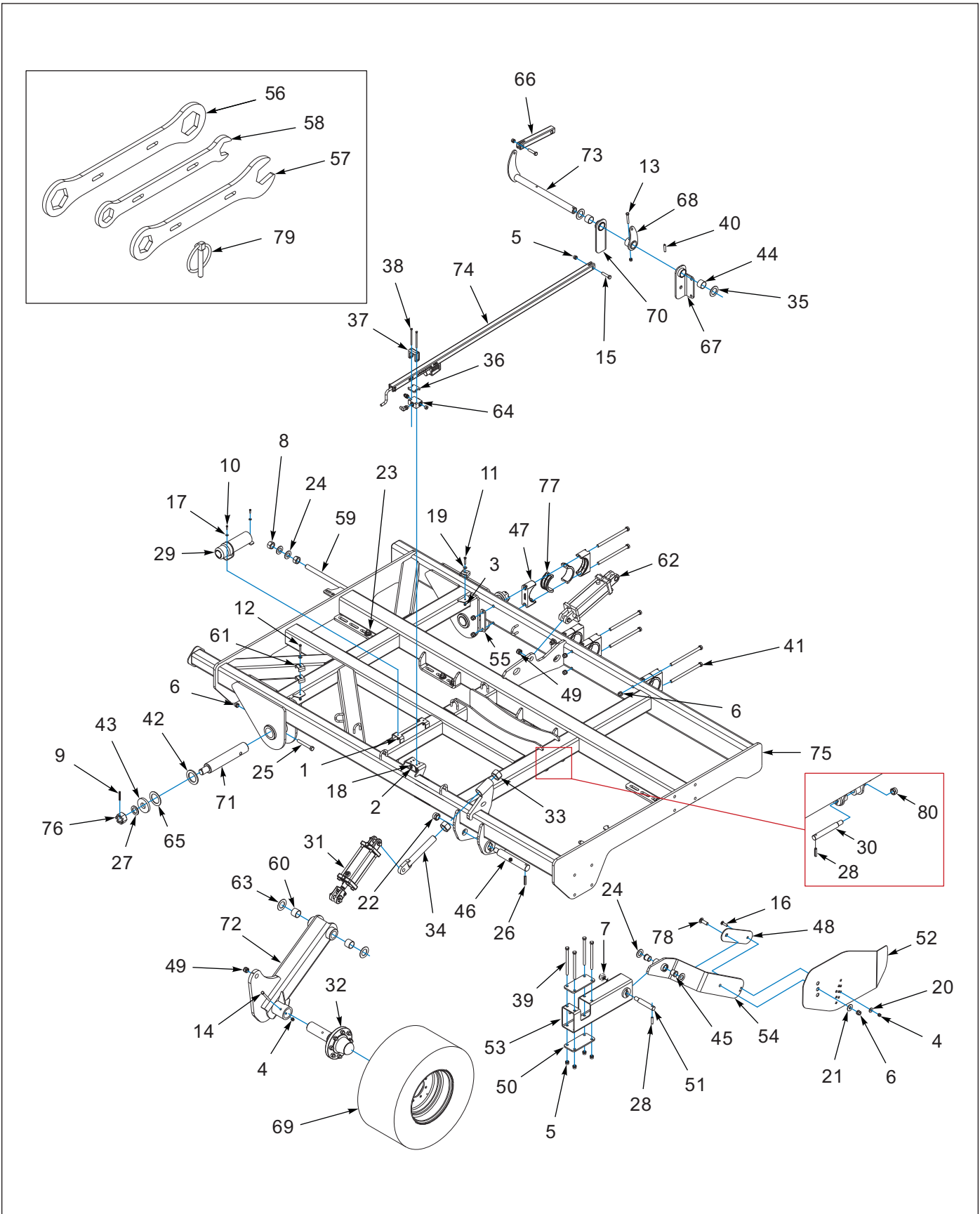


Figure 1-7: Wing Assembly - Left Hand 23'

Wing Assembly - Left Hand 23'

ITEM	PART NUMBER	DESCRIPTION	QTY.
	219521	WING-7822-23, LH, ASSY	--
1	1-512-010005-01	NUT,HEX,SLFLKG GRB 1/4-20	2
2	1-512-010005-03	NUT HEX SLFLKG GRB 5/16-18	2
3	1-512-010005-05	NUT, HEX, SLFLKG GRB 3/8-16	4
4	1-512-010005-09	NUT,HEX,SLFLKG, 1/2-13 GRB	3
5	1-512-010005-13	NUT,HEX SLFLKG GRB 5/8-11	6
6	1-512-010005-15	NUT,HEX,SLFLKG GRB 3/4-10	13
7	1-512-010005-19	NUT 1-8 HEX SLF-LOCKING GRB (BEFORE 09/18/2020, QTY=2) (AFTER 09/18/2020, QTY=1)	1
8	1-512-010007-16	NUT,HEX 1-1/4-7 GR2 ZP	2
9	1-647-010004259	SPRING PIN, SLOTTED 3/8X3	2
10	1-654-010047-06	SCREW, HEX, 1/4-20UNCX1GR5	2
11	1-654-010051-09	SCREW,HEX CAP,3/8-16UNCX2 GR5	3
12	1-654-010051-13	SCREW,HX CP,3/8-16UNCX3,GR5	1
13	1-654-010055-10	SCREW HEX CAP 1/2-13X3-1/4GR5	1
14	1-654-010055-15	SCR, HX CP, 1/2-13UNCX5 GR5	1
15	1-654-010059-08	SCREW HX CP 5/8-11UNCX2-3/4G5	2
16	1-654-010070-05	SCREW,RDHD SQNCK 1/2-13X2 GR5	1
17	1-861-010032-07	WASHER,FLAT 1/4 ZP	2
18	1-861-010032-08	WASHER,FLAT 5/16 N ZP	2
19	1-861-010032-11	WASHER, FLAT 3/8 W ZP/CD	4
20	1-861-010032-15	WASHER, FLAT 1/2 W ZP/CD	1
21	1-861-010032-21	WASHER, FLAT 3/4 W ZP/CD	13
22	101385	NUT,HEX SLFLKG,1-1/4-7 GRB	1
23	103841	NUT,FLG,LNK,SERRATED 3/4-10UNC	12
24	116100	WASHER 1-1/4 NAR FL ZP/CD	4
25	139201	SCREW,HX CP 3/4-10UNCX5.50GR8	2
26	140191	PIN, GROOVED ALLOY 1/2X3	1
27	141154	WASHER GANG SHAFT	2
28	141251	SPRING PIN,SLOTTED 1/2X2-1/4	2
29	142753	MANUAL HOLDER	1
30	210887	PIN, 1-1/4 X 7-1/4, STEP	1
31	201276	CYLINDER 3-3/4 X 10 REPHASE (SEE PAGE 1-114)	1
32	156972	HUB & SPINDLE ASSY, 8 BOLT (SEE PAGE 1-36)	1
33	159954	NUT HEX 1-3/4-5UNC GR2	2
34	159955	ROD, CYLINDER ANCHOR	1
35	164471	WASHER, THRUST 2"	2
36	165257	PAD, SLIDE	1
37	165265	GUIDE, DEPTH STOP	1
38	171556	SCREW,HEX CP,5/16-18UNCX5-1/2	2
39	171892	SCREW, HEX, 5/16-11UNCX9, GR5	4
40	172802	PIN SPRING SLOTTED 1/2X2-1/2	1
41	172919	SCREW HX CP,3/4-10X12 GR8 ZP	8
42	175677	PLATE, THRUST WASHER WING	2

Wing Assembly - Left Hand 23'

ITEM	PART NUMBER	DESCRIPTION	QTY.
43	175686	PLATE THRUST WASHER WING	2
44	183815	BUSHING, 2-1/4 X 2 X 1-1/2 L	2
45	184413	BEARING, FLANGE 1-1/4	2
46	187318	PIN SHOULDER 2 X 11-5/8	1
47	188038	BRG HALF, 4-1/2 INSERT	8
48	192594	PLATE-BACKER	1
49	192890	BUSHING 1-3/8ODX1 IDX1 STEEL	2
50	193699	PLATE-STRAP	2
51	193730	PIN-SHOULDER, 1-1/4 X 5	1
52	193757	BLADE-LEVELER	1
53	193758	MOUNT-BLADE LEVELER, WELDMNT	1
54	193763	ARM-LEVELER MOUNT, WELDMNT	1
55	195115	PLATE-BACKER, BEARING	2
56	219950	WRENCH, ADJUSTMENT	1
57	219951	WRENCH, ADJUSTMENT	1
58	195277	WRENCH, ADJUSTMENT	1
59	195279	BRACKET - GANG ADJUSTMENT, WLD	1
60	197140	BUSHING POLYLUBE 2-1.4X2X1-3/4	2
61	2-181-010001	CLAMP	5
62	201275	CYLINDER, 4 X 10 REPHASE (SEE PAGE 1-114)	1
63	202844	WASHER, 2 X 3-1/2 X 14 GA, SS	2
64	203467	VALVE-LIMIT, STROKE	1
65	206709	WASHER, THRUST - 3"	2
66	209194	TUBE-REEL CONTROL	1
67	209219	WLDMT BRACKET-PIVOT	1
68	209366	WLDMT ARM-CRANK, REEL CONTROL	1
69	215351	TIRE&WHL ASSY, VF410/50R16.5	1
70	217302	BRACKET - REEL CONTROL, WLDMNT	1
71	217396	PIN-SHOULDER, 3X11.8	2
72	218701	ARM-GAUGE WHEEL LH, WLDMT	1
73	218705	TUBE-REEL CONTROL, WLDMT	1
74	218707	TUBE-REEL CONTROL, ASSY (SEE PAGE 1-21)	1
75	219502	FRAME - WING, 7822-23 LH, WLDMNT	1
76	23085	NUT HEX SLOTTED 1 3/4-5	2
77	2P793	BRG INSERT, 4 1/2 INSERT	8
78	3/4-10X2-1/2CB	SCREW, RDH, SQ NK, 3/4-10X2-1/2	17
79	70239854	PIN QUICK HITCH	1
80	226579	NUT HX SLFLKG 1-14 GRB ZP (AFTER 09/18/2020)	1

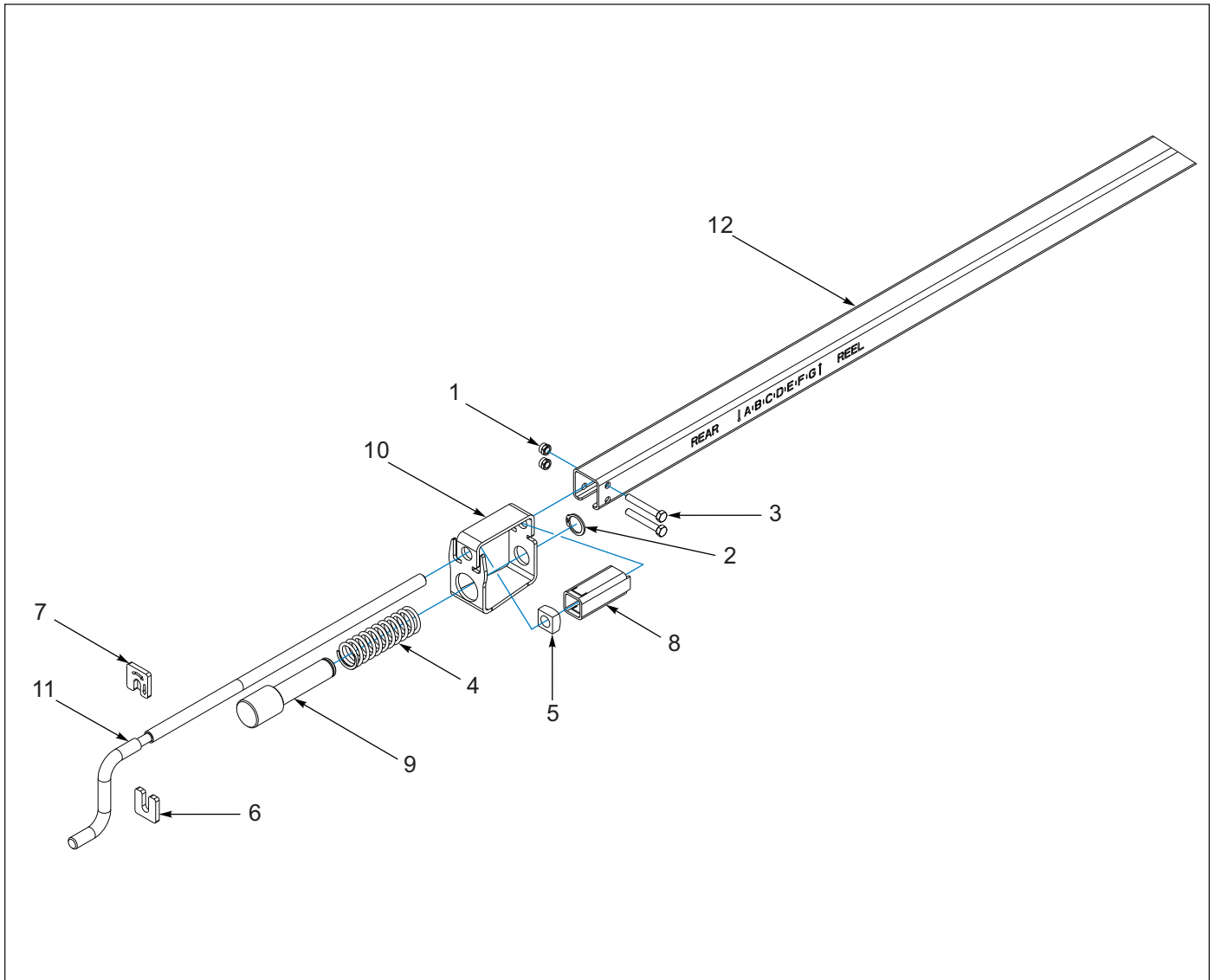


Figure 1-8: Reel Depth Control Assembly

Reel Depth Control Assembly

ITEM	PART NUMBER	DESCRIPTION	QTY.
	218707	TUBE-REEL CONTROL, ASSY	--
1	1-512-010005-03	NUT HEX SLFLKG GRB 5/16-18	2
2	1-630-010021-03	RING, RETAINING 1.0 HD	1
3	108628	SCREW HX CP 5/16-18UNCX2-1/4	2
4	122917	SPRING COMPRESSION,4-1/2 MONO	1
5	144048	NUT, SQ 5/8-11 GR5	1
6	165259	STOP, HANDLE LONG	1
7	165260	STOP, HANDLE SHORT	1
8	166717	SQ TUBE, FLOATING	1
9	174708	PIN, DEPTH STOP	1
10	182289	STOP-DEPTH	1
11	201337	HANDLE-DEPTH STOP	1
12	218706	TUBE-REEL CONTROL	1

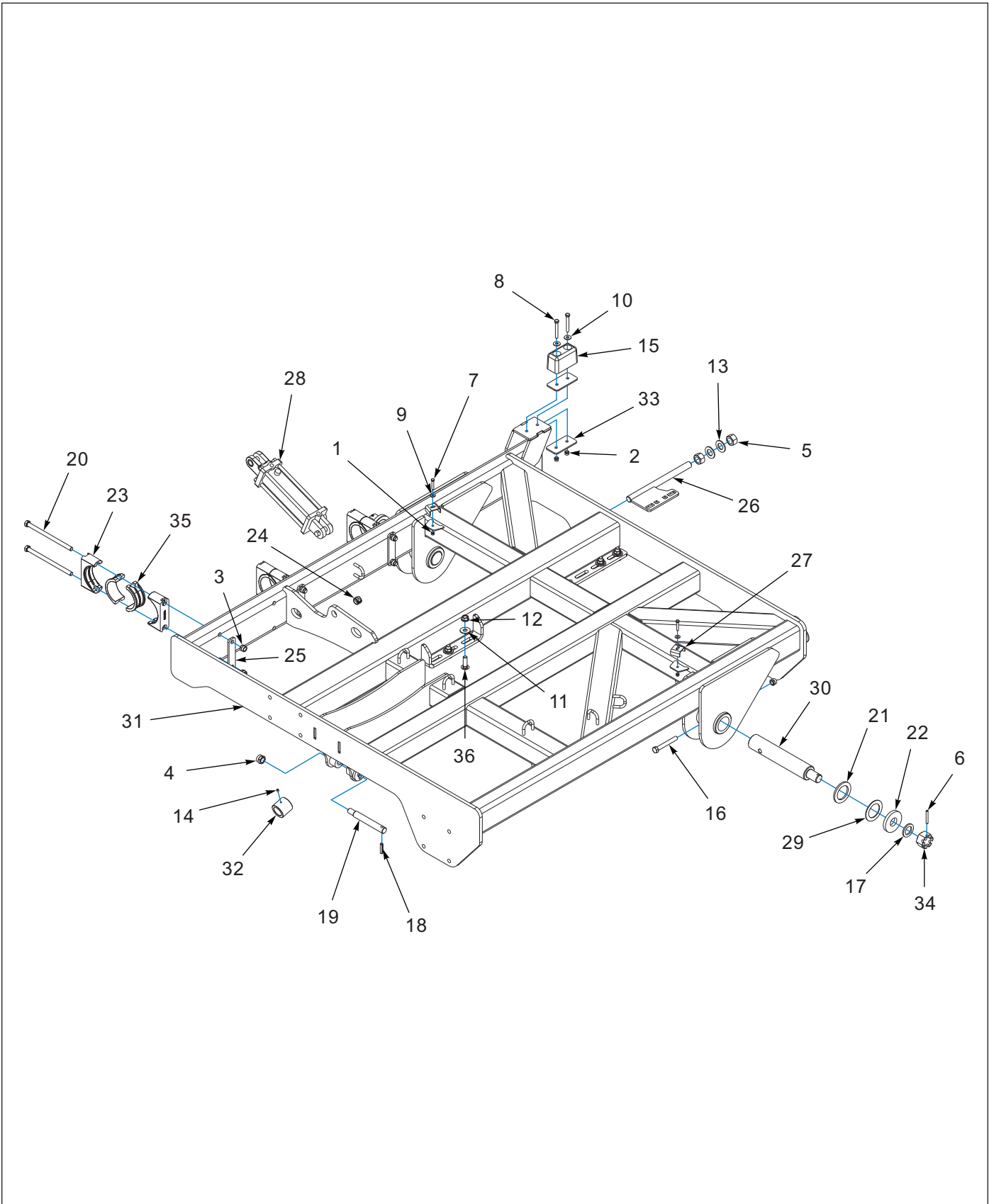


Figure 1-9: Wing Assembly - Right Hand 15'

Wing Assembly - Right Hand 15'

ITEM	PART NUMBER	DESCRIPTION	QTY.
	219518	WING-7822-15, RH, ASSY	--
1	1-512-010005-05	NUT, HEX, SLFLKG GRB 3/8-16	4
2	1-512-010005-09	NUT,HEX,SLFLKG, 1/2-13 GRB	2
3	1-512-010005-15	NUT,HEX,SLFLKG GRB 3/4-10	8
4	1-512-010005-19	NUT, HEX SLFLKG 1-8 UNC, GRB (BEFORE 09/18/2020)	1
4	226579	NUT HX SLFLKG 1-14 GRB ZP (AFTER 09/18/2020)	1
5	1-512-010007-16	NUT,HEX 1-1/4-7 GR2 ZP	2
6	1-647-010004259	SPRING PIN, SLOTTED 3/8X3	2
7	1-654-010051-09	SCREW,HEX CAP,3/8-16UNCX2 GR5	4
8	1-654-010055-12	SCREW,CP,HX .50-13UNCX3.75 GR5	2
9	1-861-010032-11	WASHER, FLAT 3/8 W ZP/CD	4
10	1-861-010032-15	WASHER, FLAT 1/2 W ZP/CD	2
11	1-861-010032-21	WASHER, FLAT 3/4 W ZP/CD	8
12	103841	NUT,FLG,LNK,SERRATED 3/4-10UNC	8
13	116100	WASHER 1-1/4 NAR FL ZP/CD	2
14	122709	SCREW,SET,HXSKTCPPT 3/8-16X1/2	1
15	128874	BUMPER RUBBER 6X3X3-1/2	1
16	139201	SCREW,HX CP 3/4-10UNCX5.50GR8	2
17	141154	WASHER GANG SHAFT	2
18	141251	SPRING PIN,SLOTTED 1/2X2-1/4	1
19	210887	PIN, 1-1/4 X 7-1/4, STEP	1
20	172919	SCREW HX CP,3/4-10X12 GR8 ZP	6
21	175677	PLATE, THRUST WASHER WING	2
22	175686	PLATE THRUST WASHER WING	2
23	188038	BRG HALF, 4-1/2 INSERT	6
24	192890	BUSHING 1-3/8ODX1 IDX1 STEEL	1
25	195115	PLATE-BACKER, BEARING	3
26	195279	BRACKET-GANG ADJUSTMENT,WLD	1
27	2-181-010001	HOSE CLAMP	4
28	201276	CYLINDER, 3.75 X 10 REPHASE (SEE PAGE 1-114)	1
29	206709	WASHER, THRUST - 3"	2
30	217396	PIN-SHOULDER, 3X11.8	2
31	219513	FRAME-WING, 7822-15 RH, WLDMNT	1
32	219579	TUBE, CYLINDER-STOP	1
33	219580	PLATE-SHIM STOP	2
34	23085	NUT HEX SLOTTED 1 3/4-5	2
35	2P793	BRG INSERT, 4 1/2 INSERT	6
36	3/4-10X2-1/2CB	SCREW, RDH, SQ NK, 3/4-10X2-1/2	8

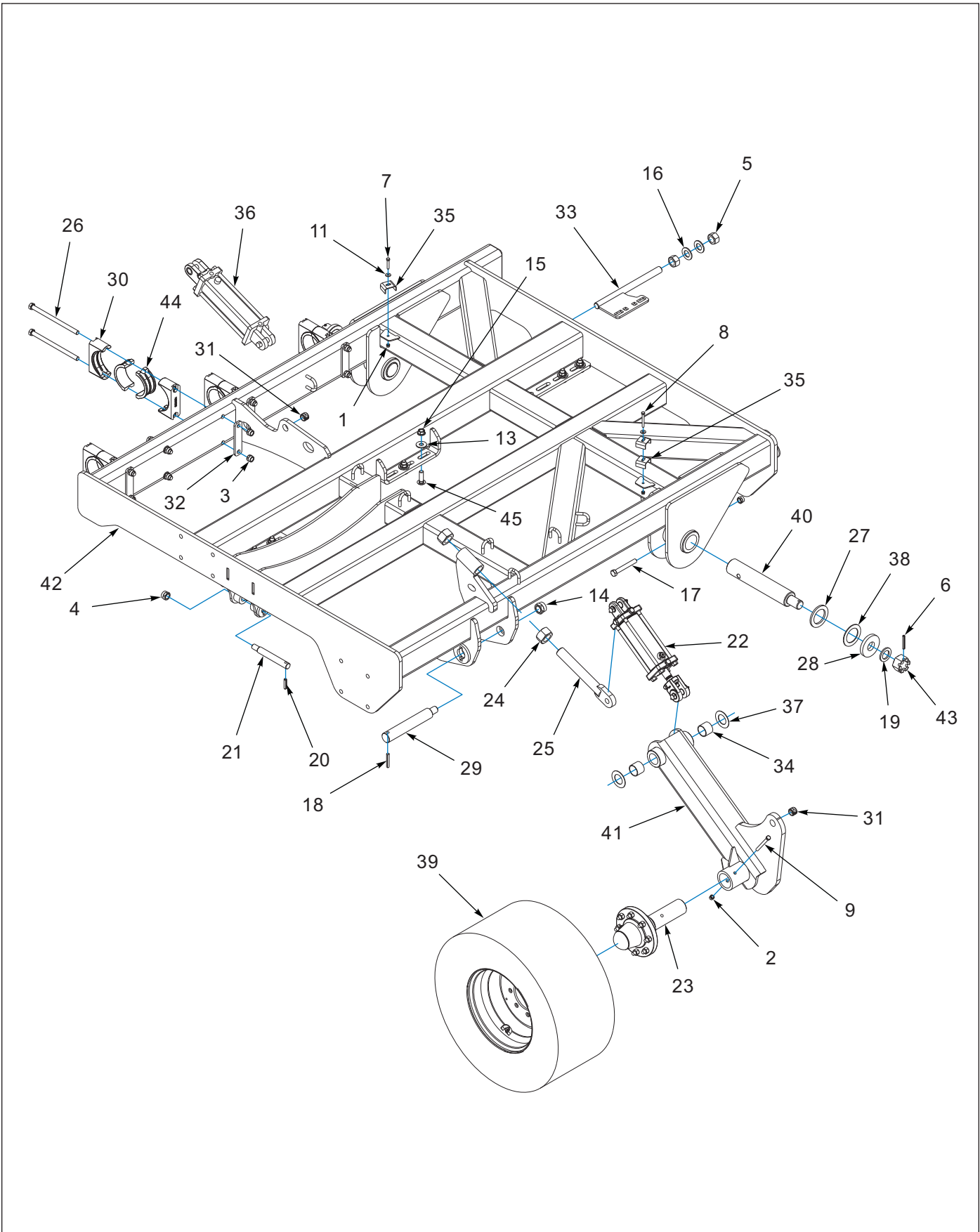


Figure 1-10: Wing Assembly - Right Hand 17'

Wing Assembly - Right Hand 17'

ITEM	PART NUMBER	DESCRIPTION	QTY.
	219520	WING-7822-17, RH, ASSY	--
1	1-512-010005-05	NUT, HEX, SLFLKG GRB 3/8-16	4
2	1-512-010005-09	NUT,HEX,SLFLKG, 1/2-13 GRB	1
3	1-512-010005-15	NUT,HEX,SLFLKG GRB 3/4-10	12
4	1-512-010005-19	NUT, HEX SLFLKG 1-8 UNC, GRB (BEFORE 09/18/2020)	1
4	226579	NUT HX SLFLKG 1-14 GRB ZP (AFTER 09/18/2020)	1
5	1-512-010007-16	NUT,HEX 1-1/4-7 GR2 ZP	2
6	1-647-010004259	SPRING PIN, SLOTTED 3/8X3	2
7	1-654-010051-09	SCREW,HEX CAP,3/8-16UNCX2 GR5	3
8	1-654-010051-13	SCREW,HX CP,3/8-16UNCX3,GR5	1
9	1-654-010055-15	SCREW, HEX, 1/2-13UNCX GR5	1
10	1-654-010061-16	SCREW 3/4-10UNCX5-1/2 HXCP G5	2
11	1-861-010032-11	WASHER, FLAT 3/8 W ZP/CD	4
12	1-861-010032-20	WASHER, FLAT,3/4 N ZP/CD	4
13	1-861-010032-21	WASHER, FLAT 3/4 W ZP/CD	12
14	101385	NUT,HEX SLFLKG,1-1/4-7 GRB	1
15	103841	NUT,FLG,LNK,SERRATED 3/4-10UNC	12
16	116100	WASHER 1-1/4 NAR FL ZP/CD	2
17	139201	SCREW,HX CP 3/4-10UNCX5.50GR8	2
18	140191	PIN, GROOVED ALLOY 1/2X3	1
19	141154	WASHER GANG SHAFT	2
20	141251	SPRING PIN,SLOTTED 1/2X2-1/4	1
21	210887	PIN, 1-1/4 X 7-1/4, STEP	1
22	201276	CYLINDER 3-3/4 X 10 REPHASE (SEE PAGE 1-114)	2
23	156972	HUB & SPINDLE ASSY, 8 BOLT (SEE PAGE 1-36)	1
24	159954	NUT HEX 1-3/4-5UNC GR2	2
25	159955	ROD, CYLINDER ANCHOR	1
26	172919	SCREW HX CP,3/4-10X12 GR8 ZP	8
27	175677	PLATE, THRUST WASHER WING	2
28	175686	PLATE THRUST WASHER WING	2
29	187318	PIN SHOULDER 2 X 11-5/8	1
30	188038	BRG HALF, 4-1/2 INSERT	8
31	192890	BUSHING 1-3/8ODX1 IDX1 STEEL	2
32	195115	PLATE-BACKER, BEARING	4
33	195279	BRACKET-GANG ADJUSTMENT,WLD	1
34	197140	BUSHING POLYLUBE 2-1.4X2X1-3/4	2
35	2-181-010001	CLAMP	5
36	201276	CYLINDER, 3.75 X 10 REPHASE (SEE PAGE 1-114)	1
37	202844	WASHER, 2 X 3-1/2 X 14 GA, SS	2
38	206709	WASHER, THRUST - 3"	2
39	215351	TIRE&WHL ASSY, VF410/50R16.5	1
40	217396	PIN-SHOULDER, 3X11.8	2

Wing Assembly - Right Hand 17'

ITEM	PART NUMBER	DESCRIPTION	QTY.
41	218702	ARM-GAUGE WHEEL RH, WLDMT	1
42	219509	FRAME-WING, 7822-17 RH, WLDMT	1
43	23085	NUT HEX SLOTTED 1 3/4-5	2
44	2P793	BRG INSERT, 4 1/2 INSERT	8
45	3/4-10X2-1/2CB	SCREW, RDH, SQ NK, 3/4-10X2-1/2	12

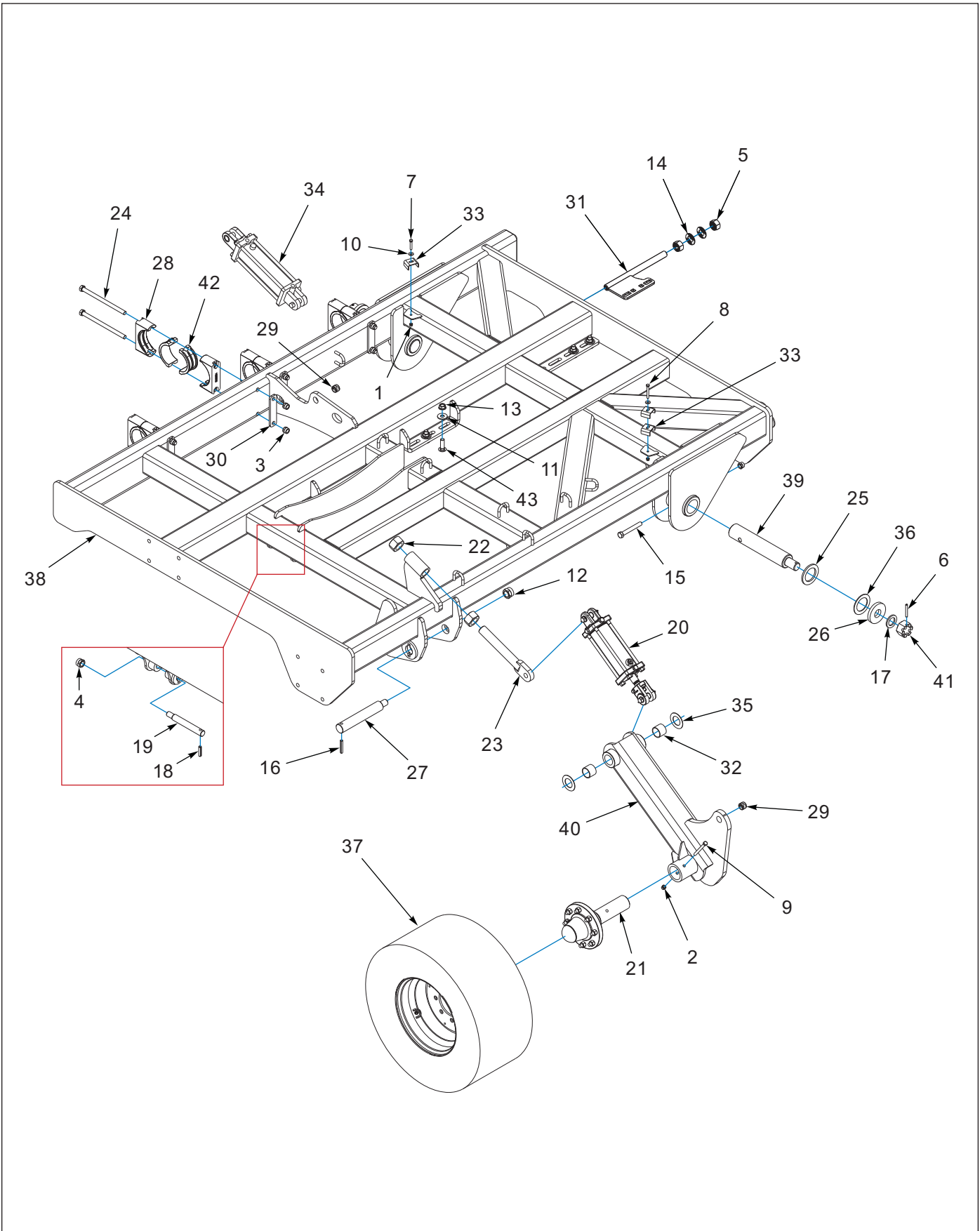


Figure 1-11: Wing Assembly - Right Hand 20'

Wing Assembly - Right Hand 20'

ITEM	PART NUMBER	DESCRIPTION	QTY.
	217330	WING-7822-20, RH, ASSY	--
1	1-512-010005-05	NUT, HEX, SLFLKG GRB 3/8-16	4
2	1-512-010005-09	NUT,HEX,SLFLKG, 1/2-13 GRB	1
3	1-512-010005-15	NUT,HEX,SLFLKG GRB 3/4-10	10
4	1-512-010005-19	NUT, HEX SLFLKG 1-8 UNC, GRB (BEFORE 09/18/2020)	1
4	226579	NUT HX SLFLKG 1-14 GRB ZP (AFTER 09/18/2020)	1
5	1-512-010007-16	NUT,HEX 1-1/4-7 GR2 ZP	2
6	1-647-010004259	SPRING PIN, SLOTTED 3/8X3	2
7	1-654-010051-09	SCREW,HEX CAP,3/8-16UNCX2 GR5	3
8	1-654-010051-13	SCREW,HX CP,3/8-16UNCX3,GR5	1
9	1-654-010055-15	SCREW, HEX, 1/2-13UNCX GR5	1
10	1-861-010032-11	WASHER, FLAT 3/8 W ZP/CD	4
11	1-861-010032-21	WASHER, FLAT 3/4 W ZP/CD	12
12	101385	NUT,HEX SLFLKG,1-1/4-7 GRB	1
13	103841	NUT,FLG,LNK,SERRATED 3/4-10UNC	12
14	116100	WASHER 1-1/4 NAR FL ZP/CD	2
15	139201	SCREW,HX CP 3/4-10UNCX5.50GR8	2
16	140191	PIN, GROOVED ALLOY 1/2X3	1
17	141154	WASHER GANG SHAFT	2
18	141251	SPRING PIN,SLOTTED 1/2X2-1/4	1
19	210887	PIN, 1-1/4 X 7-1/4, STEP	1
20	201276	CYLINDER 3-3/4 X 10 REPHASE (SEE PAGE 1-114)	2
21	156972	HUB & SPINDLE ASSY, 8 BOLT (SEE PAGE 1-36)	1
22	159954	NUT HEX 1-3/4-5UNC GR2	2
23	159955	ROD, CYLINDER ANCHOR	1
24	172919	SCREW HX CP,3/4-10X12 GR8 ZP	8
25	175677	PLATE, THRUST WASHER WING	2
26	175686	PLATE THRUST WASHER WING	2
27	187318	PIN SHOULDER 2 X 11-5/8	1
28	188038	BRG HALF, 4-1/2 INSERT	8
29	192890	BUSHING 1-3/8ODX1 IDX1 STEEL	2
30	195115	PLATE-BACKER, BEARING	4
31	195279	BRACKET-GANG ADJUSTMENT,WLD	1
32	197140	BUSHING POLYLUBE 2-1.4X2X1-3/4	2
33	2-181-010001	CLAMP	5
34	201276	CYLINDER, 3.75 X 10 REPHASE (SEE PAGE 1-114)	1
35	202844	WASHER, 2 X 3-1/2 X 14 GA, SS	2
36	206709	WASHER, THRUST - 3"	2
37	215351	TIRE&WHL ASSY, VF410/50R16.5	1
38	217326	FRAME-WING, 7822-20 RH, WLDMT	1

Wing Assembly - Right Hand 20'

ITEM	PART NUMBER	DESCRIPTION	QTY.
39	217396	PIN-SHOULDER, 3X11.8	2
40	218702	ARM-GAUGE WHEEL RH, WLDMT	1
41	23085	NUT HEX SLOTTED 1 3/4-5	2
42	2P793	BRG INSERT, 4 1/2 INSERT	8
43	3/4-10X2-1/2CB	SCREW, RDH, SQ NK, 3/4-10X2-1/2	12

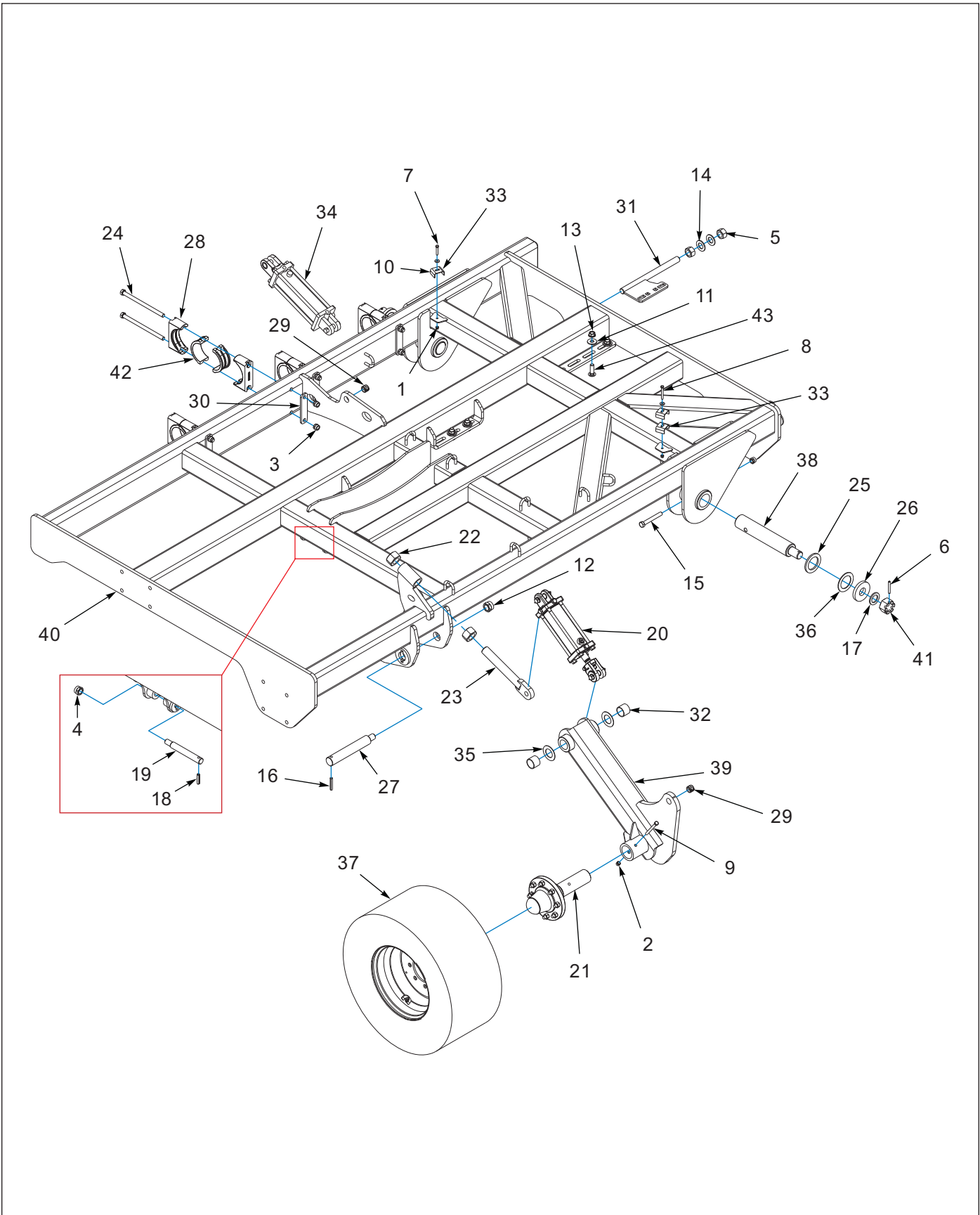


Figure 1-12: Wing Assembly - Right Hand 23'

Wing Assembly - Right Hand 23'

ITEM	PART NUMBER	DESCRIPTION	QTY.
	219522	WING-7822-23, RH, ASSY	--
1	1-512-010005-05	NUT, HEX, SLFLKG GRB 3/8-16	4
2	1-512-010005-09	NUT,HEX,SLFLKG, 1/2-13 GRB	1
3	1-512-010005-15	NUT,HEX,SLFLKG GRB 3/4-10	10
4	1-512-010005-19	NUT 1-8 HEX SLF-LOCKING GRB (BEFORE 09/18/2020)	1
4	226579	NUT HX SLFLKG 1-14 GRB ZP (AFTER 09/18/2020)	1
5	1-512-010007-16	NUT,HEX 1-1/4-7 GR2 ZP	2
6	1-647-010004259	SPRING PIN, SLOTTED 3/8X3	2
7	1-654-010051-09	SCREW,HEX CAP,3/8-16UNCX2 GR5	3
8	1-654-010051-13	SCREW,HX CP,3/8-16UNCX3,GR5	1
9	1-654-010055-15	SCREW, HEX, 1/2-13UNCX GR5	1
10	1-861-010032-11	WASHER, FLAT 3/8 W ZP/CD	4
11	1-861-010032-21	WASHER, FLAT 3/4 W ZP/CD	12
12	101385	NUT,HEX SLFLKG,1-1/4-7 GRB	1
13	103841	NUT,FLG,LNK,SERRATED 3/4-10UNC	12
14	116100	WASHER 1-1/4 NAR FL ZP/CD	2
15	139201	SCREW,HX CP 3/4-10UNCX5.50GR8	2
16	140191	PIN, GROOVED ALLOY 1/2X3	1
17	141154	WASHER GANG SHAFT	2
18	141251	SPRING PIN,SLOTTED 1/2X2-1/4	1
19	210887	PIN, 1-1/4 X 7-1/4, STEP	1
20	201276	CYLINDER 3-3/4 X 10 REPHASE (SEE PAGE 1-114)	1
21	156972	HUB & SPINDLE ASSY, 8 BOLT (SEE PAGE 1-36)	1
22	159954	NUT HEX 1-3/4-5UNC GR2	2
23	159955	ROD, CYLINDER ANCHOR	1
24	172919	SCREW HX CP,3/4-10X12 GR8 ZP	8
25	175677	PLATE, THRUST WASHER WING	2
26	175686	PLATE THRUST WASHER WING	2
27	187318	PIN SHOULDER 2 X 11-5/8	1
28	188038	BRG HALF, 4-1/2 INSERT	8
29	192890	BUSHING 1-3/8ODX1 IDX1 STEEL	2
30	195115	PLATE-BACKER, BEARING	4
31	195279	BRACKET-GANG ADJUSTMENT,WLD	1
32	197140	BUSHING POLYLUBE 2-1.4X2X1-3/4	2
33	2-181-010001	CLAMP	5
34	201276	CYLINDER, 3.75 X 10 REPHASE (SEE PAGE 1-114)	1
35	202844	WASHER, 2 X 3-1/2 X 14 GA, SS	2
36	206709	WASHER, THRUST - 3"	2
37	215351	TIRE&WHL ASSY, VF410/50R16.5	1
38	217396	PIN-SHOULDER, 3X11.8	2

Wing Assembly - Right Hand 23'

ITEM	PART NUMBER	DESCRIPTION	QTY.
39	218702	ARM-GAUGE WHEEL RH, WLDMT	1
40	219503	FRAME-WING, 7822-23 RH, WLDMT	1
41	23085	NUT HEX SLOTTED 1 3/4-5	2
42	2P793	BRG INSERT, 4 1/2 INSERT	8
43	3/4-10X2-1/2CB	SCREW, RDH, SQ NK, 3/4-10X2-1/2	12

Hub and Spindles

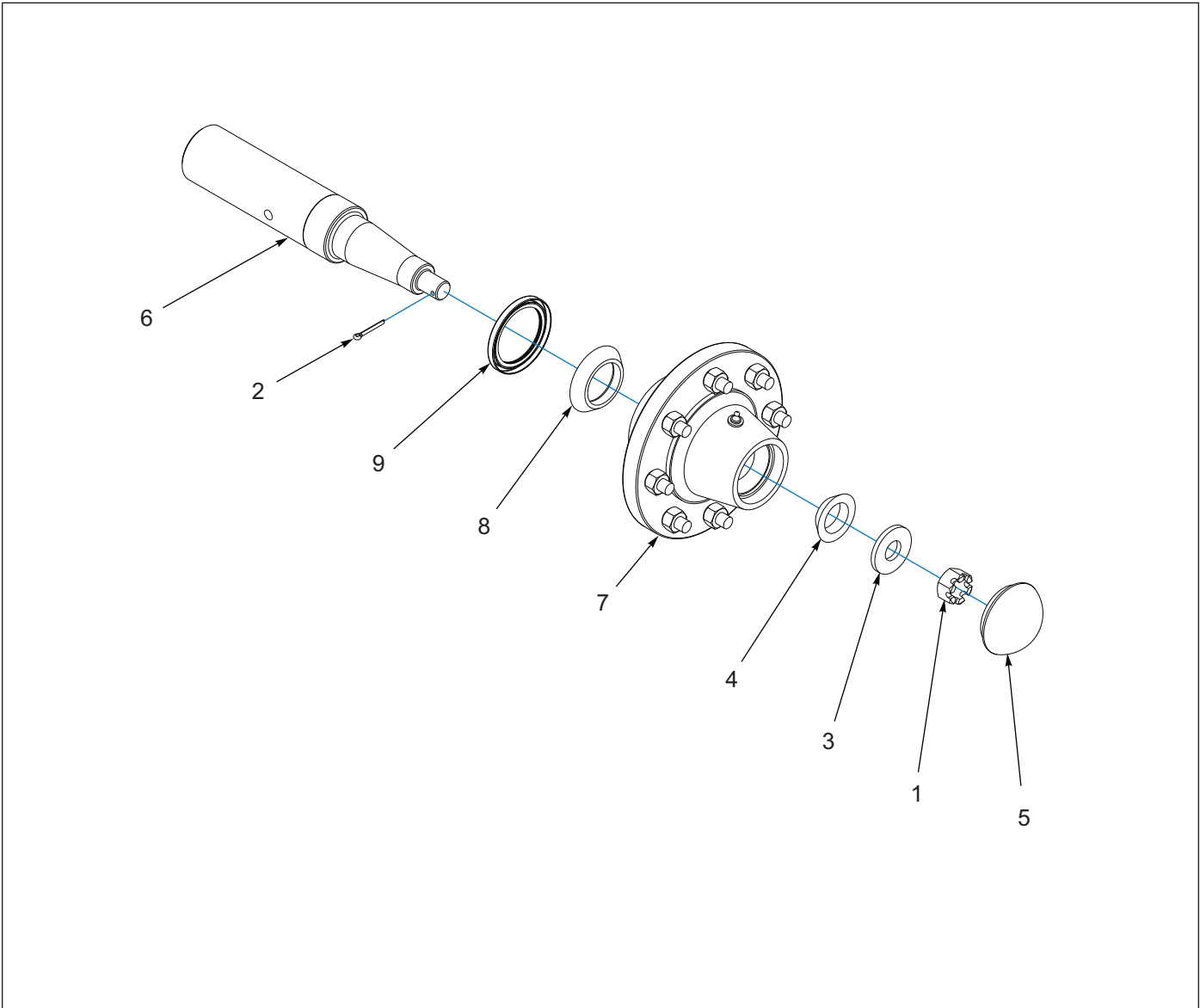


Figure 1-13: Hub & Spindle Assembly - 8 Bolt

Hub & Spindle Assembly - 8 Bolt

ITEM	PART NUMBER	DESCRIPTION	QTY.
	156972	HUB & SPINDLE ASSY, 8 BOLT	--
1	1-516-010001-20	NUT, HX SLOT 1-14	1
2	1-557-010362-51	PIN, COTTER 3/16X1-1/2	1
3	1-861-010005	WASHER, SPINDLE 1	1
4	102498	BEARING CONE, OUTER, 1.625	1
5	102601	HUB CAP, 8-BOLT HUB	1
6	156973	SPINDLE 3 X 16-1/2	1
7	156974	HUB W/CUPS, 8 BOLT, 7500LBS	1
8	156979	CONE BEARING - 387AS	1
9	159970	SEAL, TRIPLE LIP 4 ODX3 IDX3/8	1

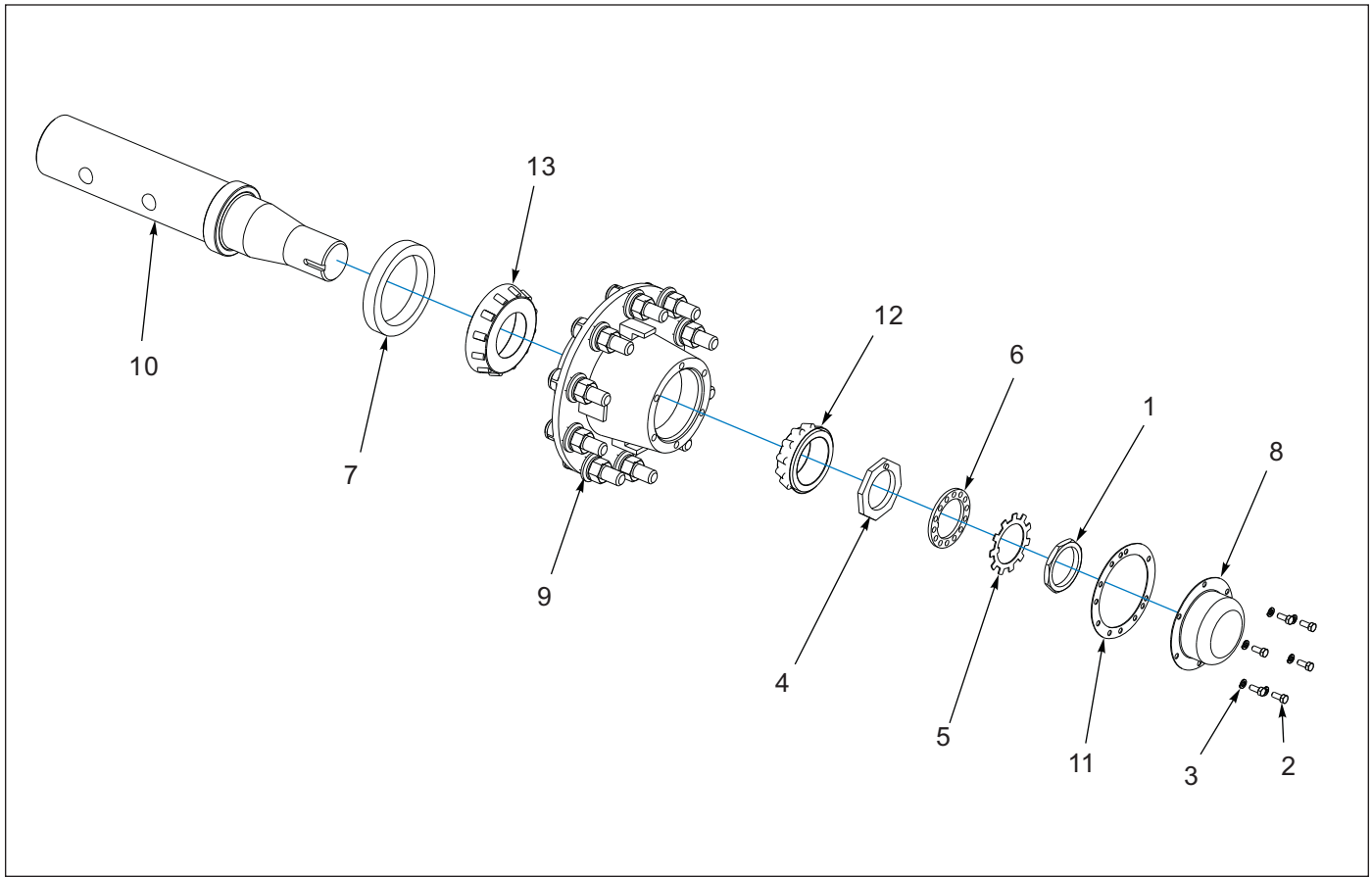


Figure 1-14: Hub & Spindle Assembly, 10 Bolt-193814 (Before 05/27/2020)

Hub & Spindle Assembly, 10 Bolt-193814 (Before 05/27/2020)

ITEM	PART NUMBER	DESCRIPTION	QTY.
	193814	HUB/SPINDLE ASSY, 8 BOLT	--
1	006-115-00	NUT OUTER, SPINDLE, DEXTER	1
2	1-654-010049-03	SCREW HX CP 5/16-18UNCX3/4GR5	6
3	1-861-010034-10	WASHER,LKG 5/16	6
4	103103-002	INNER SPIN NUT	1
5	105106	STAR L/W	1
6	105107	LOCK WASHER	1
7	165254	SEAL, 4-5/8, TRIPLE TEFLON	1
8	168456	HUBCAP	1
9	181785	HUB, 10 BOLT W/CUPS	1
10	181789	SLEEVE ASSY, 4" SPINDLE	1
11	3067	GASKET HUB	1
12	HM212049	OUTER BRG A19S	1
13	HM218248	INNER BEARING	1

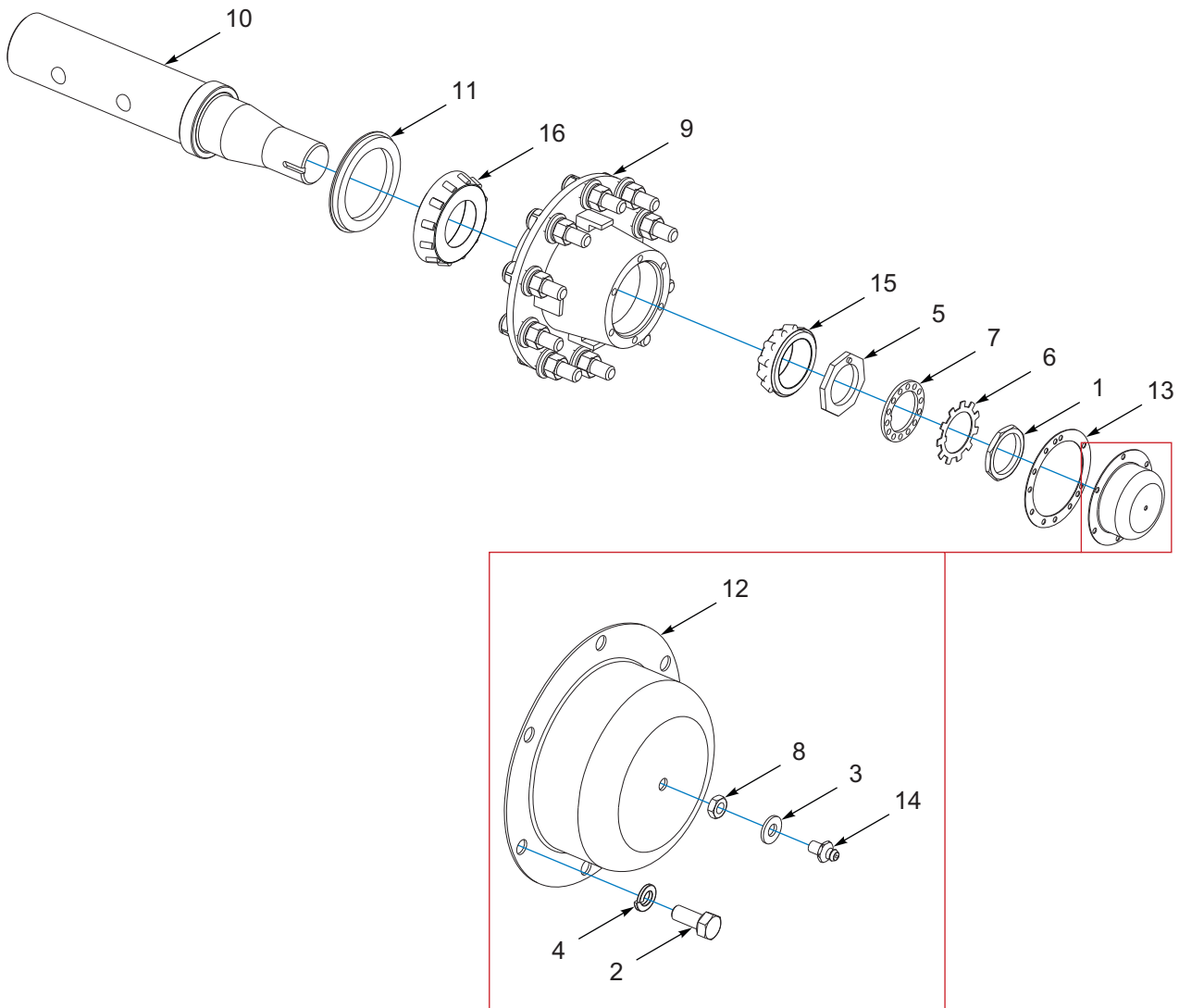


Figure 1-15: Hub & Spindle Assembly, 10 Bolt-193814 (After 05/27/2020)

Hub and Spindle Assembly, 10 Bolt-193814 (AFTER 05/27/2020)

ITEM	PART NO.	DESCRIPTION	QTY.
--	193814	HUB AND SPINDLE ASSEMBLY - 10 BOLT	--
1	006-115-00	NUT OUTER, SPINDLE, DEXTER	1
2	1-654-010049-03	SCREW HX CP 5/16-18UNCX3/4GR5	6
3	1-861-010032-06	WASHER, FLAT 1/4 N ZP/CD	1
4	1-861-010034-10	WASHER,LKG 5/16	6
5	103103-002	INNER SPIN NUT	1
6	105106	STAR L/W	1
7	105107	LOCK WASHER	1
8	1404013	NUT JAM HEX HD GR 5 1/4-28	1
9	181785	HUB, 10 BOLT W/CUPS	1
10	181789	SLEEVE ASSY, 4" SPINDLE	1
11	184769	SEAL, PURGABLE 6 OD X 4-5/8 ID	1
12	191976	HUBCAP W/ 1/4 HOLE	1
13	3067	GASKET HUB	1
14	5013	ZERK, FITTING 1/4-28SAEX11/16	1
15	HM212049	OUTER BEARING	1
16	HM218248	INNER BEARING	1

Hitch Assemblies

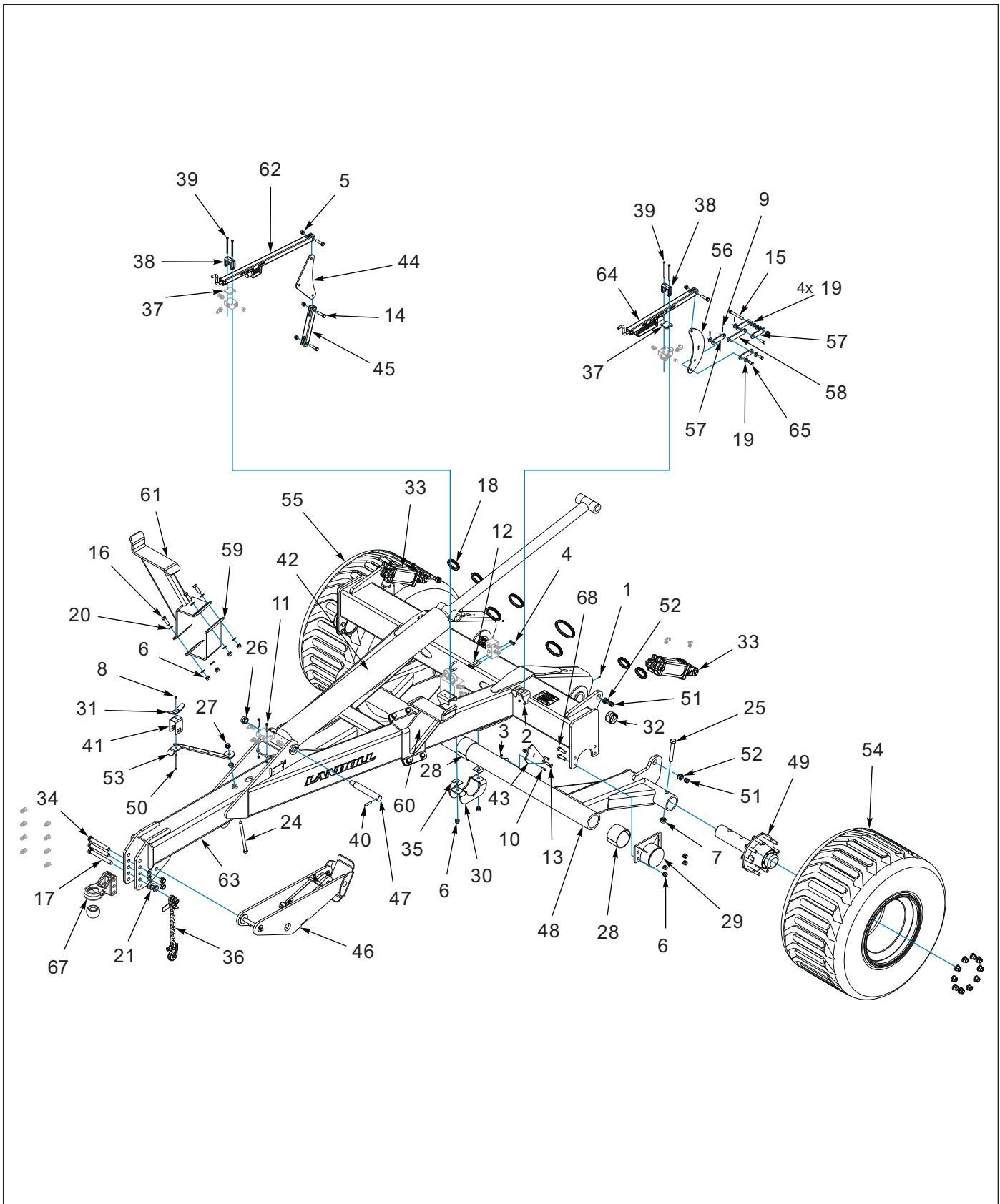


Figure 1-16: Hitch Assemblies

Hitch Assemblies

ITEM	PART NUMBER	DESCRIPTION	QTY.
	218798	HITCH-7822, SHORT, ASM (15' & 17' MODELS)	--
	217332	HITCH-7822, ASM (20' MODELS)	--
	219938	HITCH-7822-23, ASM (23' MODELS)	--
1	1-298-010001-1	ZERK FITTING 1/4 SAE	2
2	1-512-010005-03	NUT HEX SLFLKG GRB 5/16-18	6
3	1-512-010005-05	NUT, HEX, SLFLKG GRB 3/8-16	4
4	1-512-010005-09	NUT,HEX,SLFLKG, 1/2-13 GRB	2
5	1-512-010005-13	NUT,HEX SLFLKG GRB 5/8-11	7
6	1-512-010005-15	NUT,HEX,SLFLKG GRB 3/4-10	18
7	1-512-010005-19	NUT 1-8 HEX SLF-LOCKING GRB	5
8	1-512-010007-07	NUT, HEX 3/8-16 GR2 ZP	1
9	1-557-010362-40	PIN, COTTER 5/32X1-1/4	3
10	1-654-010051-06	SCREW,HEX CAP 3/8-16UNCX1-1/4	2
11	1-654-010051-11	SCREW HX CP 3/8-16X2-1/2 G5ZP	2
12	1-654-010055-11	SCREW,HX CP 1/2-13UNCX3-1/2	2
13	1-654-010059-05	SCREW,HEX CAP,5/8-11UNCX2 GR5	1
14	1-654-010059-07	SCREW HX CP 5/8-11UNCX2-1/2G5	5
15	1-654-010059-15	SCREW,HEX CAP,5/8-11UNCX5 GR5	1
16	1-654-010061-06	SCREW,HXCP,3/4-10UNCX2-1/4GR5 (BEFORE 03/03/2020, QTY=18) (AFTER 03/03/2020, QTY=10)	10
17	1-654-010125-22	SCREW HX CP 1-8UNCX8-1/2G8ZP	1
18	1-822-010001	TRIM 1350 3/8BLK FINE PEBBLE	8.25
19	1-861-010032-18	WASHER, FLAT 5/8 N ZP/CD	10
20	1-861-010032-20	WASHER, FLAT,3/4 N ZP/CD	16
21	1-861-010032-24	WASHER FL 1IN NARROW ZP	9
22	1-861-010034-11	WASHER, LKG HLCL SPR, 3/8 (NOT SHOWN)	4
23	100131	SCREW HHC,3/8-16UNCX7/8 GR5 (NOT SHOWN)	4
24	100809	SCREW,HEX CAP,3/4-10X11-1/2G5	1
25	100829	SCREW,HEX CAP,1-8X6-1/2,GR5	2
26	101385	NUT,HEX SLFLKG,1-1/4-7 GRB	1
27	100829	SCREW,HEX CAP,1-8X6-1/2,GR5	2
28	140519	BEARING, UHMW 4IN	3
29	141209	BEARING CAP, LIFT WLDMT (BEFORE 03/03/2020)	2
29	226570	BEARING CAP, LIFT WLDMT (AFTER 03/03/2020)	2
30	141234	BEARING CAP, LIFT BLUE	1
31	141249	WING NUT, HOSE HOLDER	1
32	144341	BUSHING, SPRING 3-1/4X3X2	4
33	145201	CYLINDER 4 X 8 REPHASE (BEFORE 01/03/2020) (SEE PAGE 1-112)	2
33	201275	CYLINDER, 4 X 10 REPHASE (AFTER 01/03/2020)	2
34	153696	BOLT, HITCH CLEVIS	2
35	153827	SHIM, LIFT BEARING	2
36	156950	SAFETY CHAIN, 41,000 LB	1
37	165257	PAD, SLIDE	2

Hitch Assemblies

ITEM	PART NUMBER	DESCRIPTION	QTY.
38	165265	GUIDE, DEPTH STOP	2
39	171556	SCREW,HEX CP,5/16-18UNCX5-1/2	4
40	172802	PIN SPRING SLOTTED 1/2X2-1/2	1
41	177398	CLAMP, HOSE HOLDER, LONG	1
42	187436	CYLINDER, HYD 7X60 WLD 3000PSI (SEE PAGE 1-109)	1
43	187639	PLATE - LIFT CONTROL	1
44	187642	PLATE-DEPTH CONTROL LINK	1
45	187645	TUBE-DEPTH STOP LINK	1
46	187684	JACK-7831, HYDRAULIC ASSEMBLY (SEE PAGE 1-108)	1
47	187692	PIN, 1-3/4 X 12-1/4, STEP	1
48	192522	ROCKSHAFT WLDMT 7831	1
49	193814	HUB/SPINDLE ASSY 10 BOLT (SEE PAGE 1-37)	2
50	196754	SCREW,HH 3/8-16X5,GR5,FUL THRD	1
51	2-150-010008	BUSHING 1-1/4ODX1IDX1 STEEL	4
52	2-150-010174	BUSHING,1-5/8X1-1/4X1	4
53	200829	BRACKET, HOSE HOLDER	1
54	201281	TIRE/WHEEL 710/40 LH	1
55	201282	TIRE/WHEEL 710/40 RH	1
56	209380	PLATE-TILT STOP	1
57	209381	LINK-TILT STOP, SHORT	4
58	209382	LINK-TILT STOP, LONG	1
59	218720	BRACKET-MOUNT, WING REST	2
60	218721	REST-WING, LH, WLDMT	1
61	218724	REST-WING, RH, WLDMT	1
62	218749	TUBE-DEPTH CONTROL, ASSY (SEE PAGE 1-43)	1
63	218797	HITCH-7822, SHORT, WELDMENT(15' & 17' HSL)	1
63	217380	HITCH-7822-20, WELDMENT (20' HSL) (NOT SHOWN)	1
63	219937	HITCH-7822, LONG, WELDMENT(23' HSL) (NOT SHOWN)	1
64	218799	TUBE-TILT STOP, ASSY (SEE PAGE 1-44)	1
65	3K287	CLEVIS PIN	3
66	218735	KIT, HYDRAULIC, HITCH 7822 (NOT SHOWN) (SEE PAGE 1-98)	--
67	177032	HITCH, BALL CAT IV	1
68	1-654-010061-06	SCREW,HXCP,3/4-10UNCX2-1/4GR5 (BEFORE 03/03/2020)	8
68	1-654-010061-07	SCREW,HX CP 3/4-10UNCX2-1/2G5 (AFTER 03/03/2020)	8

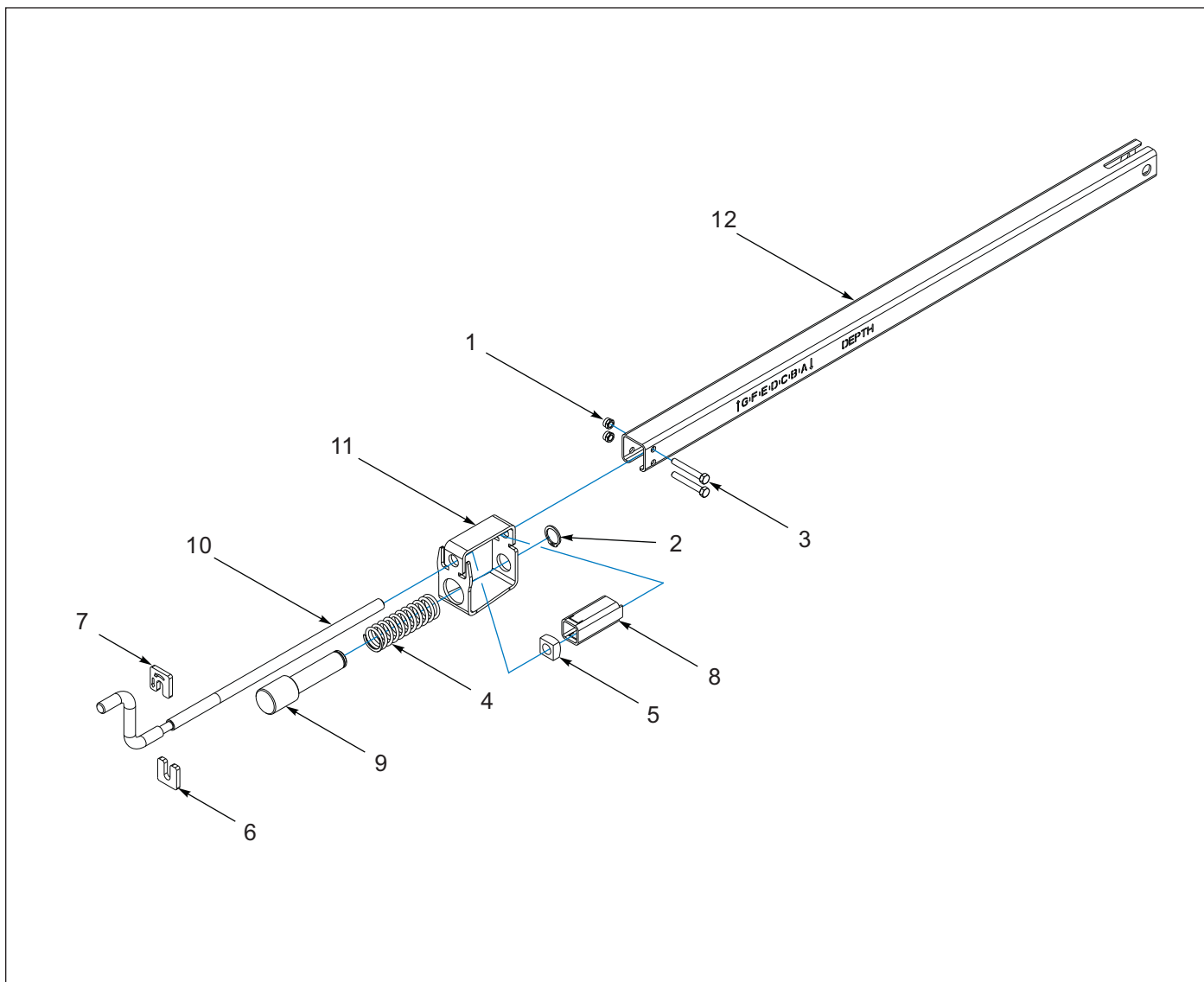


Figure 1-17: Depth Control Assembly (218749)

Depth Control Assembly (218749)

ITEM	PART NUMBER	DESCRIPTION	QTY.
	218749	TUBE-DEPTH CONTROL, ASSY	--
1	1-512-010005-03	NUT HEX SLFLKG GRB 5/16-18	2
2	1-630-010021-03	RING, RETAINING 1.0 HD	1
3	108628	SCREW HX CP 5/16-18UNCX2-1/4	2
4	122917	SPRING COMPRESSION,4-1/2 MONO	1
5	144048	NUT, SQ 5/8-11 GR5	1
6	165259	STOP, HANDLE LONG	1
7	165260	STOP, HANDLE SHORT	1
8	166717	SQ TUBE, FLOATING	1
9	174708	PIN, DEPTH STOP	1
10	182288	HANDLE-DEPTH STOP	1
11	182289	STOP-DEPTH	1
12	218748	TUBE-DEPTH STOP, 7822	1

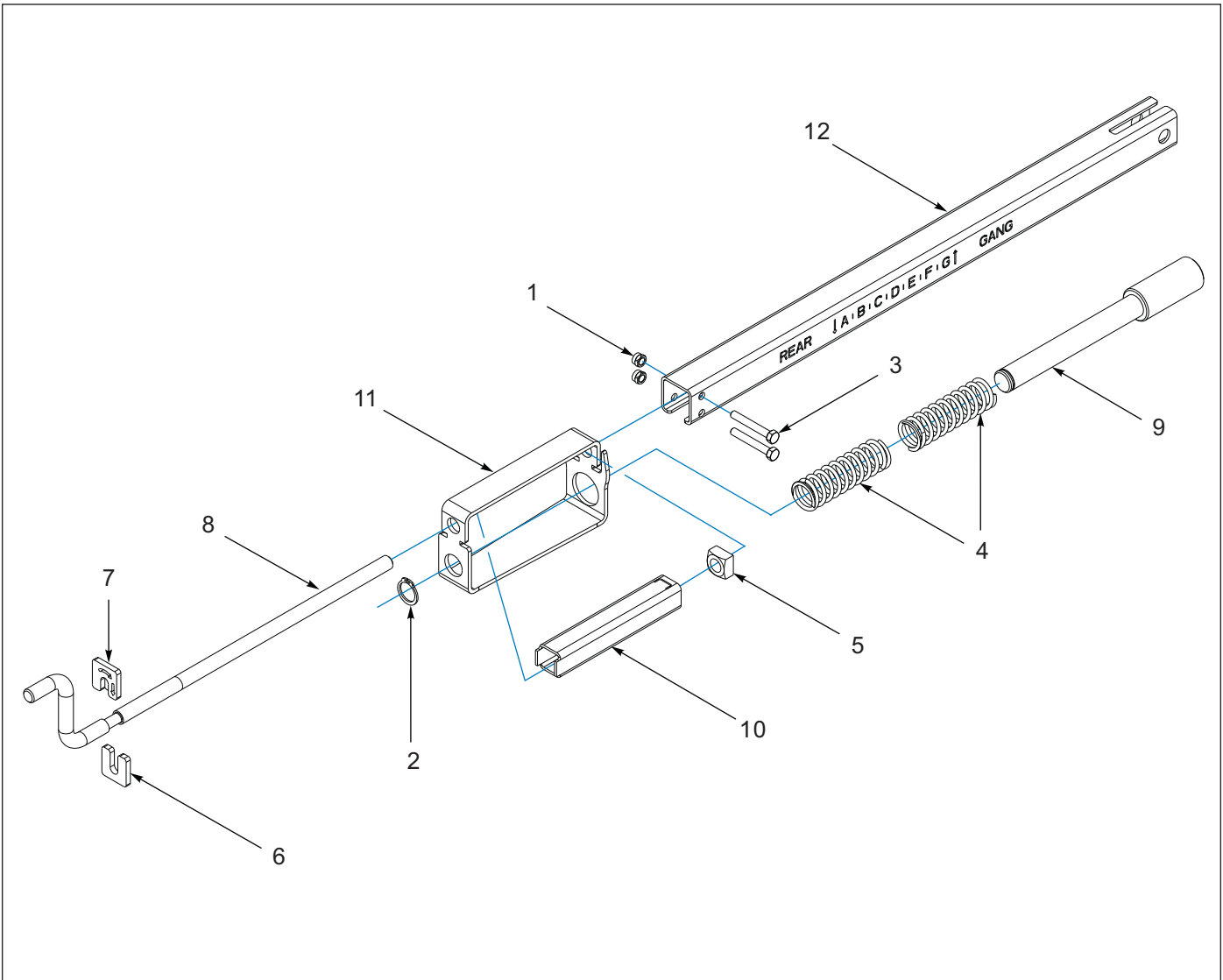


Figure 1-18: Depth Control Assembly (218799)

Depth Control Assembly (218799)

ITEM	PART NUMBER	DESCRIPTION	QTY.
	218799	TUBE-TILT STOP, ASSY	--
1	1-512-010005-03	NUT HEX SLFLKG GRB 5/16-18	2
2	1-630-010021-03	RING, RETAINING 1.0 HD	1
3	108628	SCREW HX CP 5/16-18UNCX2-1/4	2
4	122917	SPRING COMPRESSION,4-1/2 MONO	2
5	144048	NUT, SQ 5/8-11 GR5	1
6	165259	STOP, HANDLE LONG	1
7	165260	STOP, HANDLE SHORT	1
8	182288	HANDLE-DEPTH STOP	1
9	209354	PIN-DEPTH STOP	1
10	209357	TUBE-FLOATING SQUARE	1
11	210863	BRACKET-STOP	1
12	218763	TUBE-TILT STOP	1

Rear Gang Assemblies

Note: Gangbars shows as viewed from rear of machine.

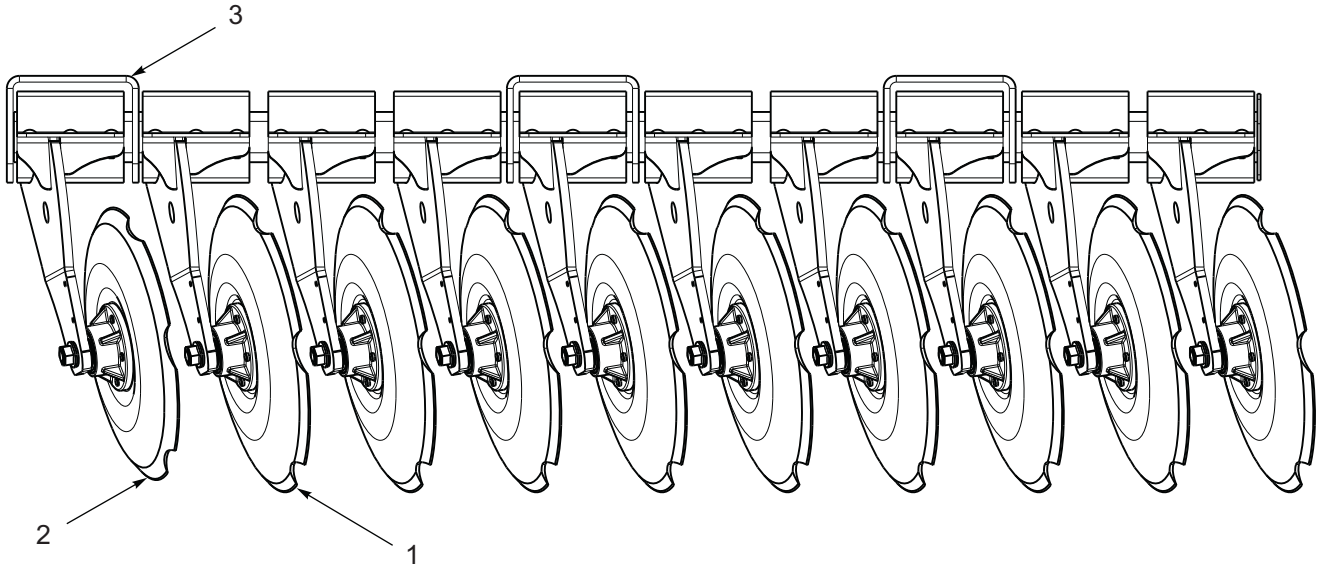


Figure 1-19: Left Wing Rear Gang Assemblies

Left Wing Rear Gang Assemblies

			15'	17'	20'	23'
ITEM	PART NUMBER	DESCRIPTION	QTY.			
	220780	GANG-7822-15LR,HYBRD,17-7NTCH (15')	1	--	--	--
	221047	GANG-7822-17LR,HYBRD,NTCHD (17') (NOT SHOWN)	--	1	--	--
	221054	GANG ASM 7822-20LR,HYBRD,NTCHD (20') (NOT SHOWN)	--	--	1	--
	219555	GNG ASM7822-23LR HBRD17-7NTCD (23') (NOT SHOWN)	--	--	--	1
1	217316	DISC,RH,HYBRID,17-7,NOTCHD ASM (SEE PAGE 1-52)	9	10	12	14
2	217321	DISC,NTCHD22RH HYBRID 17-7 ASM	1	1	1	1
3	219578	GANGBAR-7822-15,LR,WELDMENT (15')	1	--	--	--
3	221043	GANGBAR-7822-17,LR, WELDMENT (17') (NOT SHOWN)	--	1	--	--
3	221050	GANGBAR-7822-20,LR, WLDMT (20') (NOT SHOWN)	--	--	1	--
3	219547	GANGBAR,7822-23,LR, WELDMENT (23') (NOT SHOWN)	--	--	--	1

Note: Gangbars shows as viewed from rear of machine.

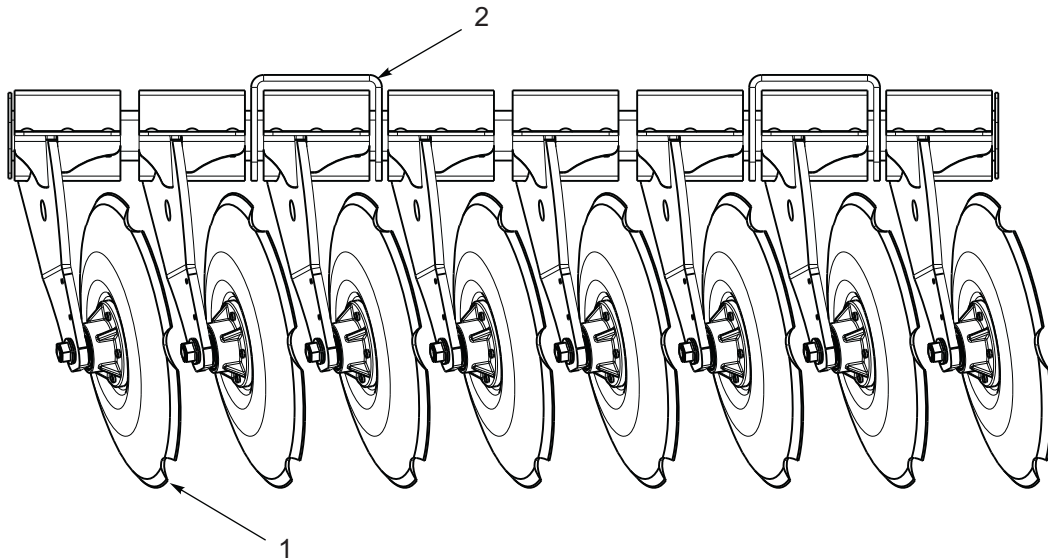


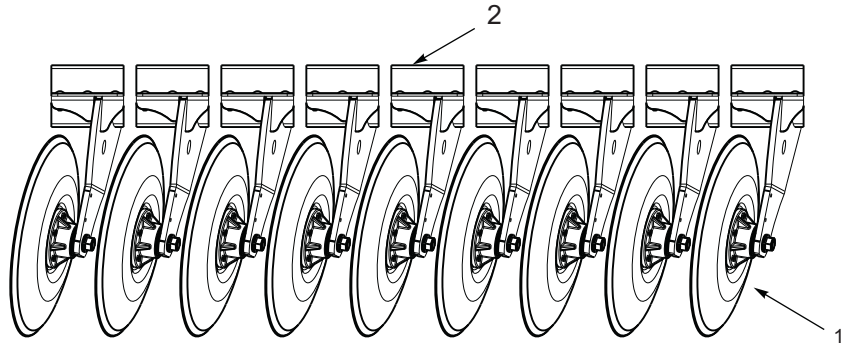
Figure 1-20: Right Wing Rear Gang Assemblies

Right Wing Rear Gang Assemblies

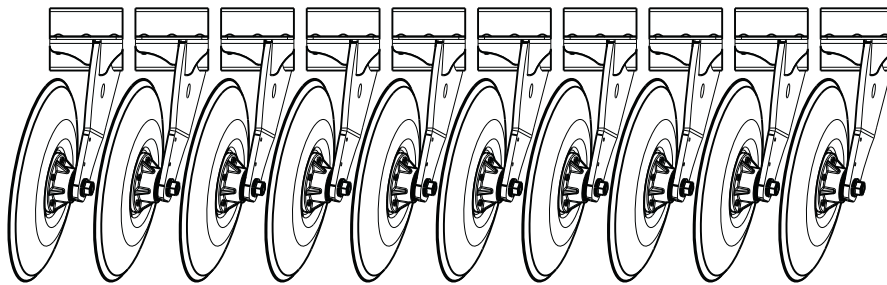
			15'	17'	20'	23'
ITEM	PART NUMBER	DESCRIPTION	QTY.			
	212633	GANG-7821-15RR, HYBRID, 17-7, NTCHD (15')	1	--	--	--
	212639	GANG-7821-17RR, HYBRID, 17-7, NTCHD (17') (NOT SHOWN)	--	1	--	--
	212645	GANG-7821-20RR, HYBRID, 17-7, NTCHD (20') (NOT SHOWN)	--	--	1	--
	219556	GNG ASM7822-23RR HBRD17-7NTCD (23') (NOT SHOWN)	--	--	--	1
1	217316	DISC, RH, HYBRID, 17-7, NOTCHD ASM (15') (SEE PAGE 1-52)	8	9	11	13
2	198879	GANGBAR-7821-15, RR, WELDMENT (15')	1	--	--	--
2	195101	GANGBAR WLDMT LR 7821-20 (17' & 20') (NOT SHOWN)	--	1	1	--
2	219548	GANGBAR, 7822-23, RR, WELDMENT (23') (NOT SHOWN)	--	--	--	1

Front Disc Assemblies

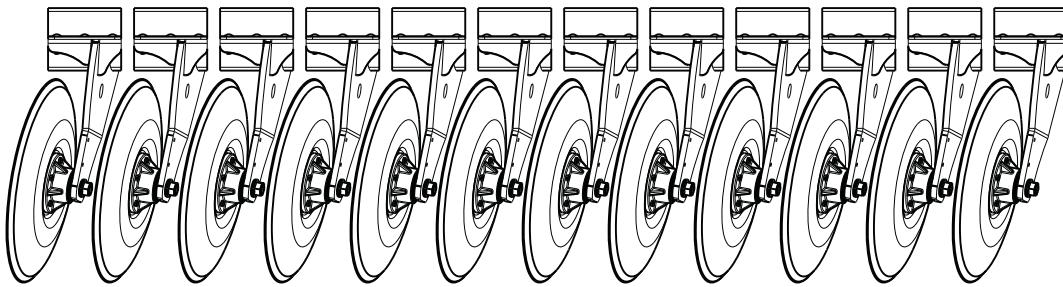
Note: Gangbars shows as viewed from rear of machine.



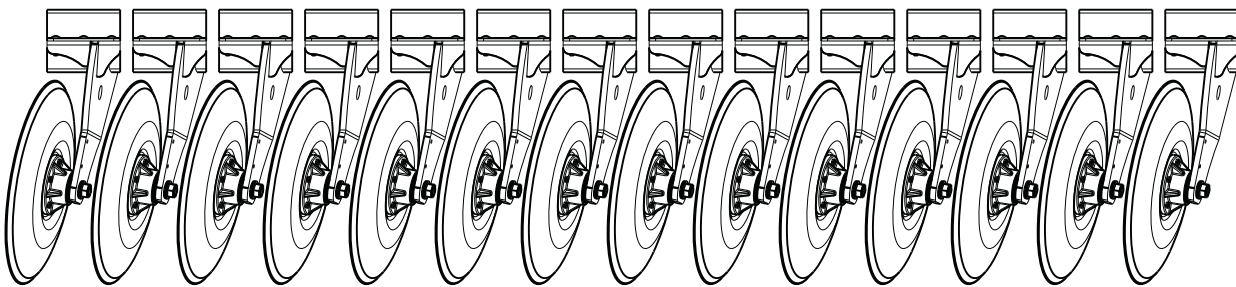
7822-15 Left Wing Front Hybrid 17-7P Disc Row



7822-17 Left Wing Front Hybrid 17-7P Disc Row



7822-20 Left Wing Front Hybrid 17-7P Disc Row



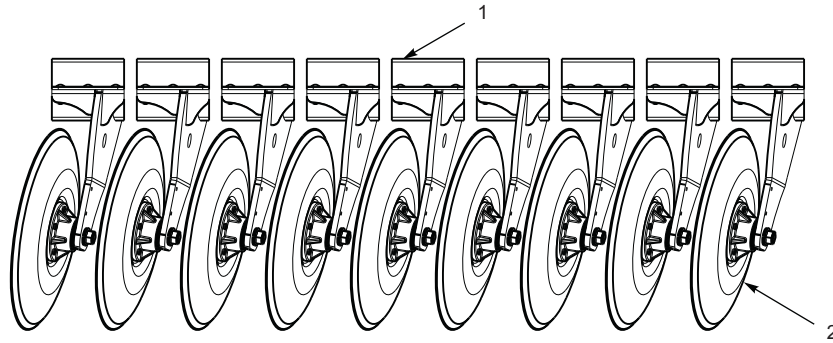
7822-23 Left Wing Front Hybrid 17-7P Disc Row

Figure 1-21: Left Wing Front Disc Assemblies

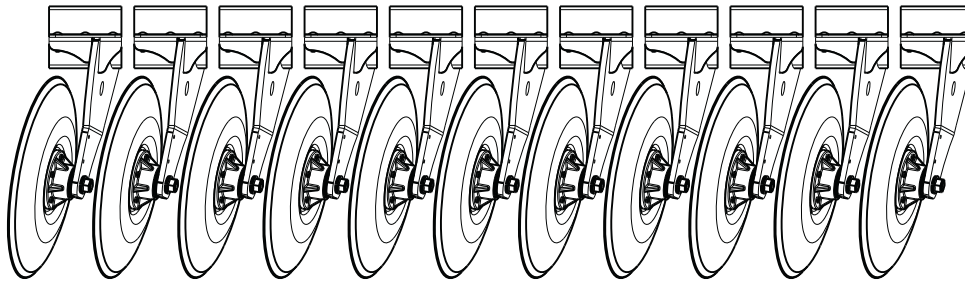
Left Wing Front Disc Assemblies

ITEM	PART NUMBER	DESCRIPTION	QTY.			
1	212633	GANG-7821-15RR, VERT, 17-7, NTCHD	1	--	--	--
1	212639	GANG-7821-17RR, VERT, 17-7, NTCHD	--	1	--	--
1	212645	GANG-7821-20RR, VERT, 17-7, NTCHD	--	--	1	--
1	219556	GNG ASM7822-23RR HBRD17-7NTCD	--	--	--	1
2	217315	DISC-LH, HYBRID, 17-7, NOTCHD ASSEM (SEE PAGE 1-55)	9	10	12	14
2	217317	DISC-LH, HYBRID, 17-7, SMOOTH ASSEM (SEE PAGE 1-56)	9	10	12	14
2	217319	DISC-LH, HYBRID, 17-7, ROLLABLE ASSEM (SEE PAGE 1-57)	9	10	12	14

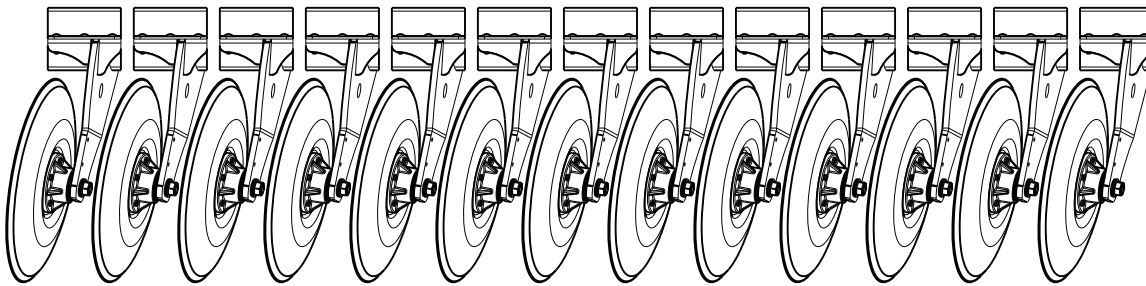
Note: Gangbars shows as viewed from rear of machine.



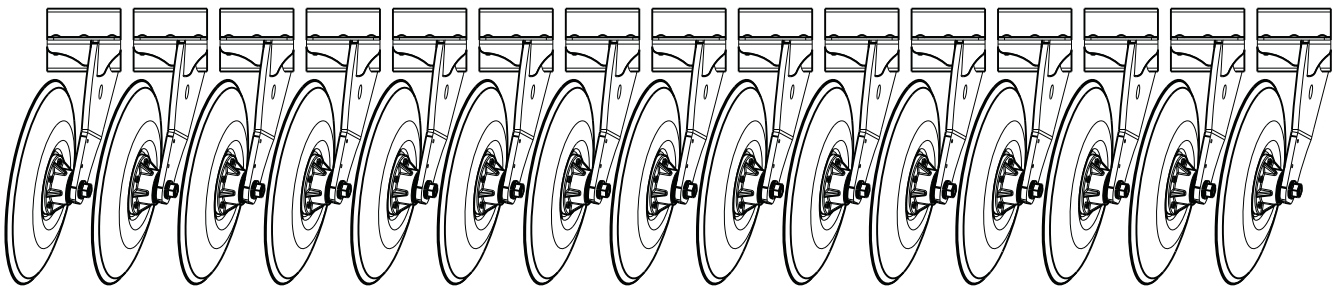
7822-15 Right Wing Front Hybrid 17-7P Disc Row



7822-17 Right Wing Front Hybrid 17-7P Disc Row



7822-20 Right Wing Front Hybrid 17-7P Disc Row



7822-23 Right Wing Front Hybrid 17-7P Disc Row

Figure 1-22: Right Wing Front Disc Assemblies

Right Wing Front Disc Assemblies

ITEM	PART NUMBER	DESCRIPTION	QTY.			
1	212633	GANG-7821-15RR, HYBRID, 17-7, NTCHD	1	--	--	--
1	212639	GANG-7821-17RR, HYBRID, 17-7, NTCHD	--	1	--	--
1	212645	GANG-7821-20RR, HYBRID, 17-7, NTCHD	--	--	1	--
1	219556	GNG ASM7822-23RR HBRD17-7NTCD	--	--	--	1
2	217315	DISC-LH, HYBRID, 17-7, NOTCHD ASSEM (SEE PAGE 1-52)	9	11	13	15
2	217318	DISC-RH, HYBRID, 17-7, SMOOTH ASSEM (SEE PAGE 1-53)	9	11	13	15
2	217320	DISC-RH, HYBRID, 17-7, ROLLABLE ASSEM (SEE PAGE 1-54)	9	11	13	15

Disc Assemblies

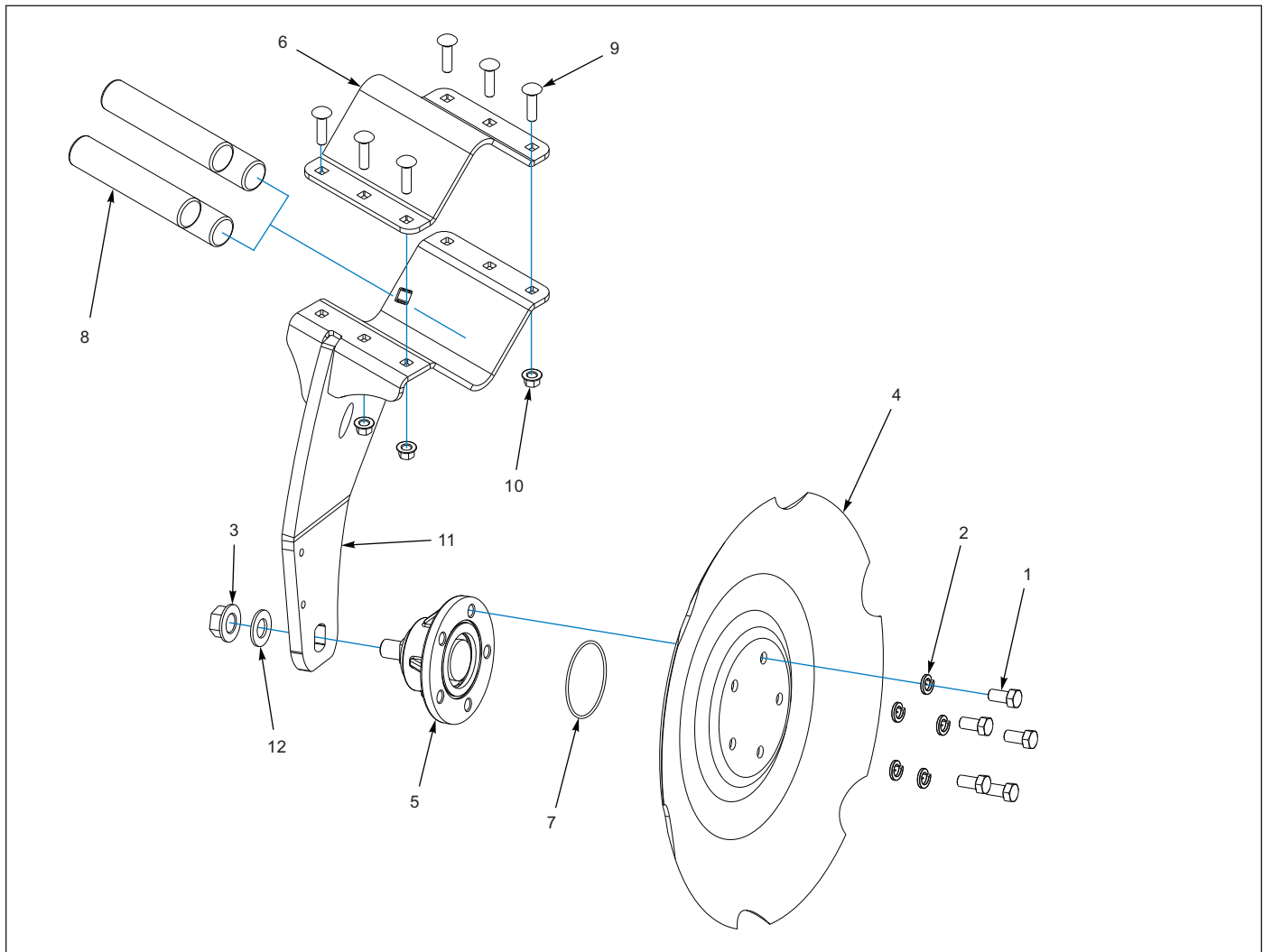


Figure 1-23: Right Rear Disc Assembly - Notched

Right Rear Disc Assembly - Notched

ITEM	PART NUMBER	DESCRIPTION	QTY.
	217316	DISC-RH, HYBRID, 17-7, NOTCHD ASSEM	--
1	1-654-010059-02	SCREW,HEX CAP,5/8-11X1-1/4GR5	5
2	1-861-010034-15	WASHER,LKG,HLCL SPR,5/8	5
3	174732	NUT, FLG HD, TOPLOCK, 1-8 UNC	1
4	175284	DISC BLADE RH 24X1/4 DIR NOTCH	1
5	185742	HUB-HSL DISC, ASSEMBLY	1
6	186979	CAP SHANK MOUNT	1
7	202843	O-RING, 4" ID X 1/8" BUNA	1
8	203525	SPRING-TORSION, RUBBER, 1-3/4	4
9	209392	SCREW-RDH, SQ NK,1/2-20X2,GR8	6
10	209393	NUT,1/2-20,LG FLNG HD TOP LOCK	6
11	217288	SHANK-HYBRID, RH, 17-7, WLDMT	1
12	622-3511-010	WASHER, FLAT 1" MIL-CARB SAE	1

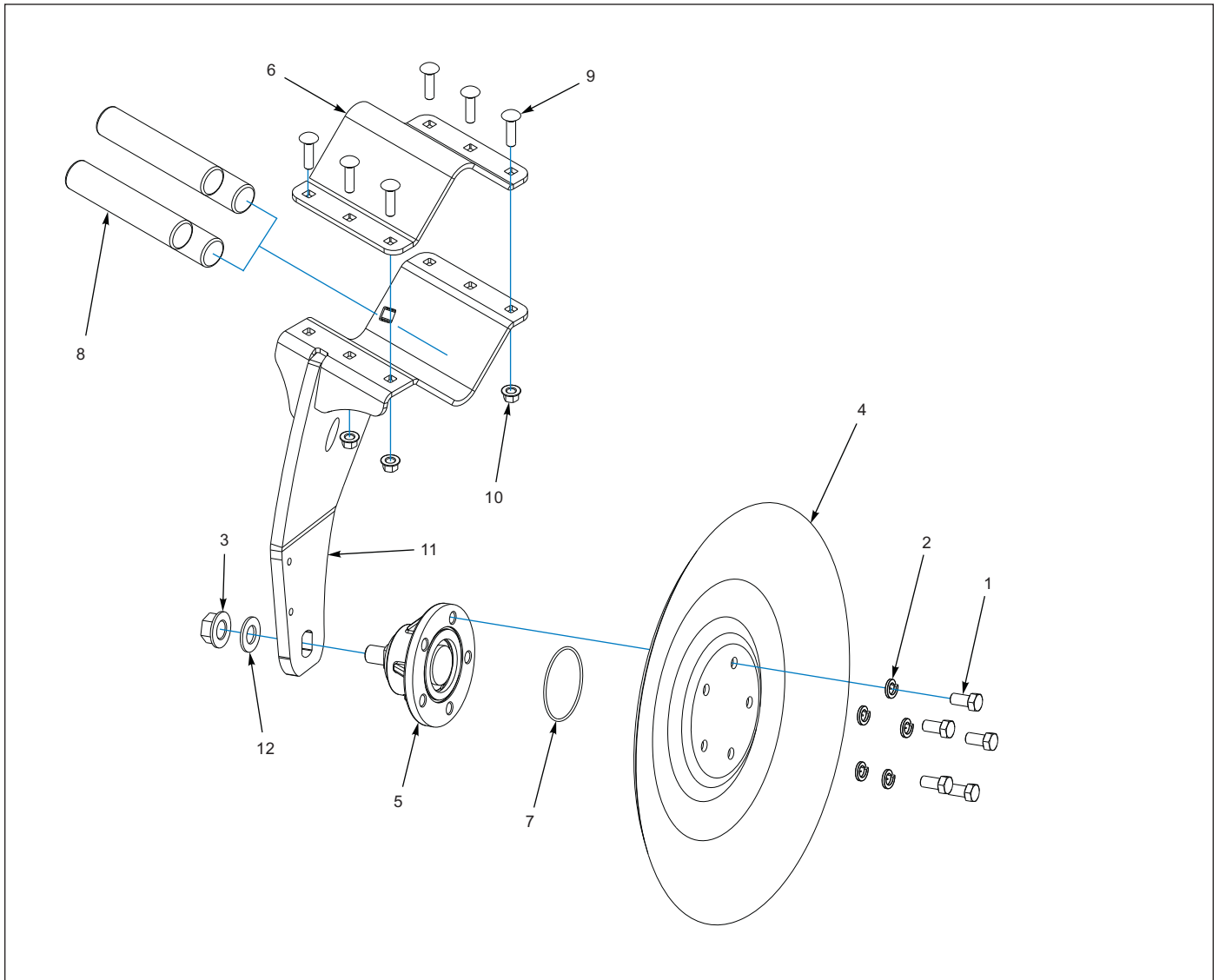


Figure 1-24: Right Disc Assembly - Smooth

Right Disc Assembly - Smooth

ITEM	PART NUMBER	DESCRIPTION	QTY.
	217318	DISC-RH, HYBRID, 17-7, SMOOTH ASSEM	--
1	1-654-010059-02	SCREW,HEX CAP,5/8-11X1-1/4GR5	5
2	1-861-010034-15	WASHER,LKG,HLCL SPR,5/8	5
3	174732	NUT, FLG HD, TOPLOCK, 1-8 UNC	1
4	175329	BLADE-HSL, NO NOTCH, 24X1/4	1
5	185742	HUB-HSL DISC, ASSEMBLY	1
6	186979	CAP SHANK MOUNT	1
7	202843	O-RING, 4" ID X 1/8" BUNA	1
8	203525	SPRING-TORSION, RUBBER, 1-3/4	4
9	209392	SCREW-RDH, SQ NK,1/2-20X2,GR8	6
10	209393	NUT,1/2-20,LG FLNG HD TOP LOCK	6
11	217288	SHANK-HYBRID, RH, 17-7, WLDMT	1
12	622-3511-010	WASHER, FLAT 1" MIL-CARB SAE	1

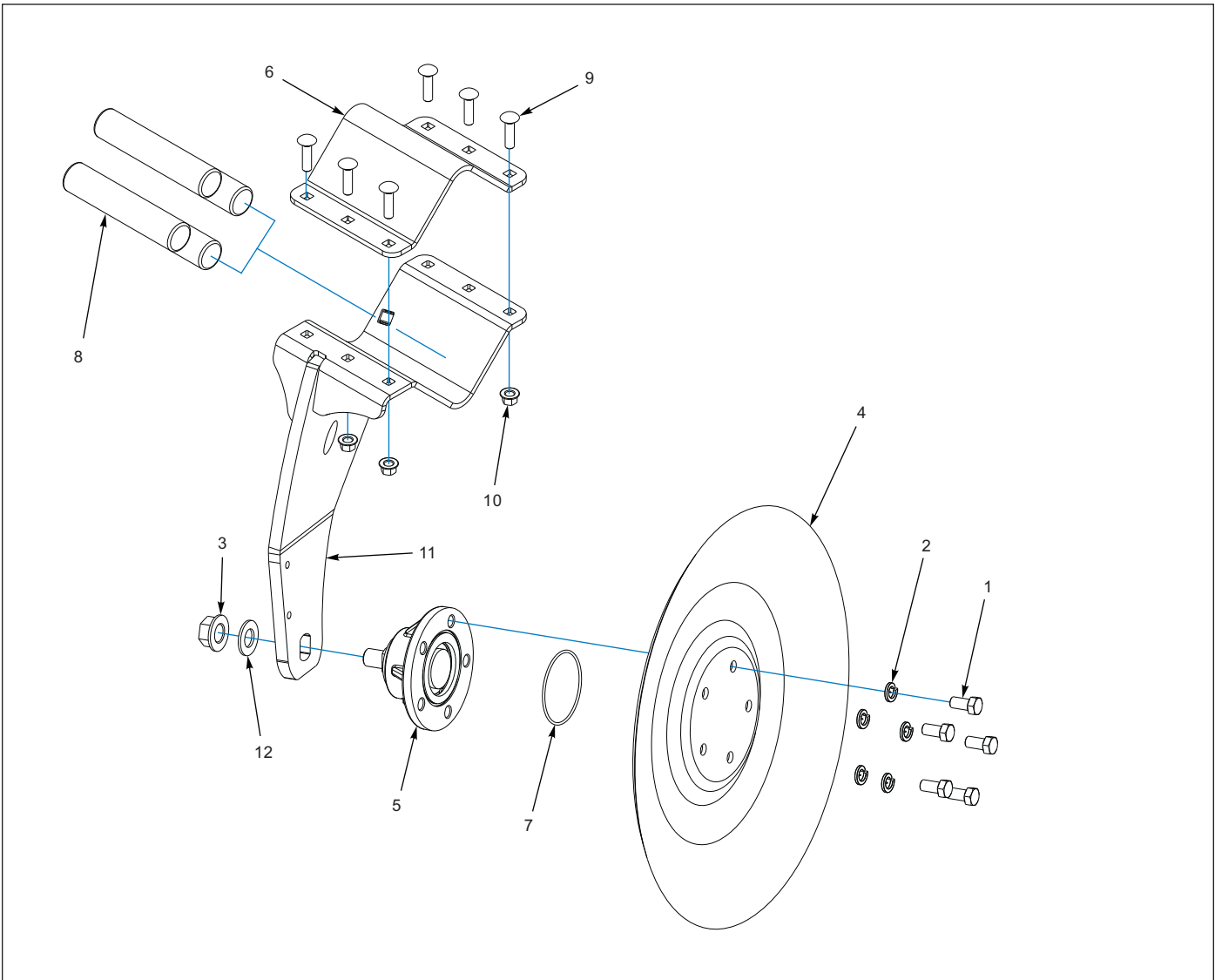


Figure 1-25: Right Disc Assembly - Rollable

Right Disc Assembly - Rollable

ITEM	PART NUMBER	DESCRIPTION	QTY.
	217320	DISC-RH, HYBRID, 17-7, ROLLABLE ASSEM	--
1	1-654-010059-02	SCREW,HEX CAP,5/8-11X1-1/4GR5	5
2	1-861-010034-15	WASHER,LKG,HLCL SPR,5/8	5
3	174732	NUT, FLG HD, TOPLOCK, 1-8 UNC	1
4	198785	BLADE-HSL, NO NOTCH, 24X1/4, ROLLABLE	1
5	185742	HUB-HSL DISC, ASSEMBLY	1
6	186979	CAP SHANK MOUNT	1
7	202843	O-RING, 4" ID X 1/8" BUNA	1
8	203525	SPRING-TORSION, RUBBER, 1-3/4	4
9	209392	SCREW-RDH, SQ NK,1/2-20X2,GR8	6
10	209393	NUT,1/2-20,LG FLNG HD TOP LOCK	6
11	217288	SHANK-HYBRID, RH, 17-7, WLDMT	1
12	622-3511-010	WASHER, FLAT 1" MIL-CARB SAE	1

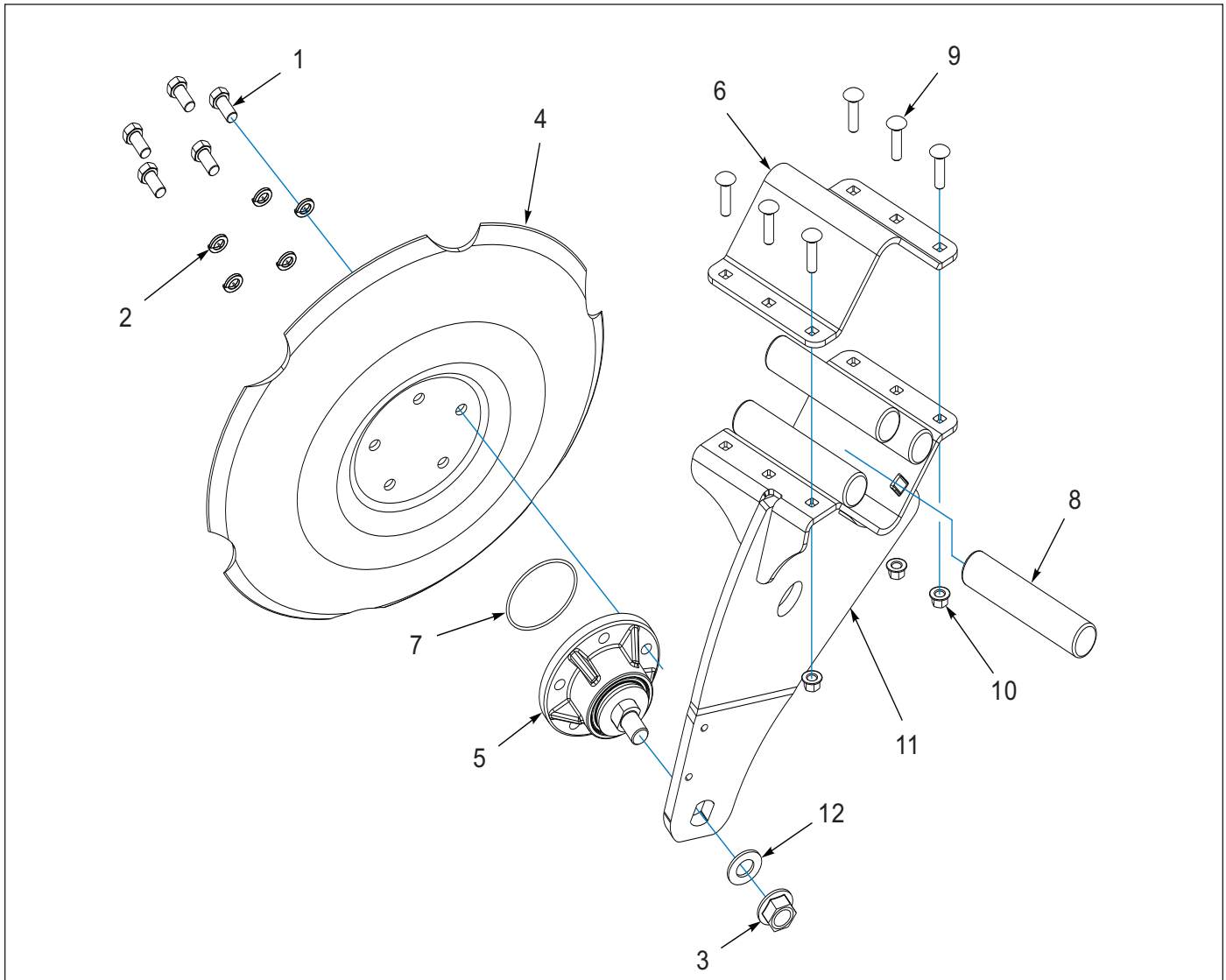


Figure 1-26: Left Rear Disc Assembly - Notched

Left Rear Disc Assembly - Notched

ITEM	PART NUMBER	DESCRIPTION	QTY.
	217315	DISC-LH, HYBRID, 17-7, NOTCHD ASSEM	--
1	1-654-010059-02	SCREW,HEX CAP,5/8-11X1-1/4GR5	5
2	1-861-010034-15	WASHER,LKG,HLCL SPR,5/8	5
3	174732	NUT, FLG HD, TOPLOCK, 1-8 UNC	1
4	175283	DISC BLADE, LH 24 X 1/4 DIR NOTCH	1
5	185742	HUB-HSL DISC, ASSEMBLY	1
6	186979	CAP SHANK MOUNT	1
7	202843	O-RING, 4" ID X 1/8" BUNA	1
8	203525	SPRING-TORSION, RUBBER, 1-3/4	4
9	209392	SCREW-RDH, SQ NK,1/2-20X2,GR8	6
10	209393	NUT,1/2-20,LG FLNG HD TOP LOCK	6
11	217287	SHANK-HYBRID, LH, 17-7, WLDMNT	1
12	622-3511-010	WASHER, FLAT 1" MIL-CARB SAE	1

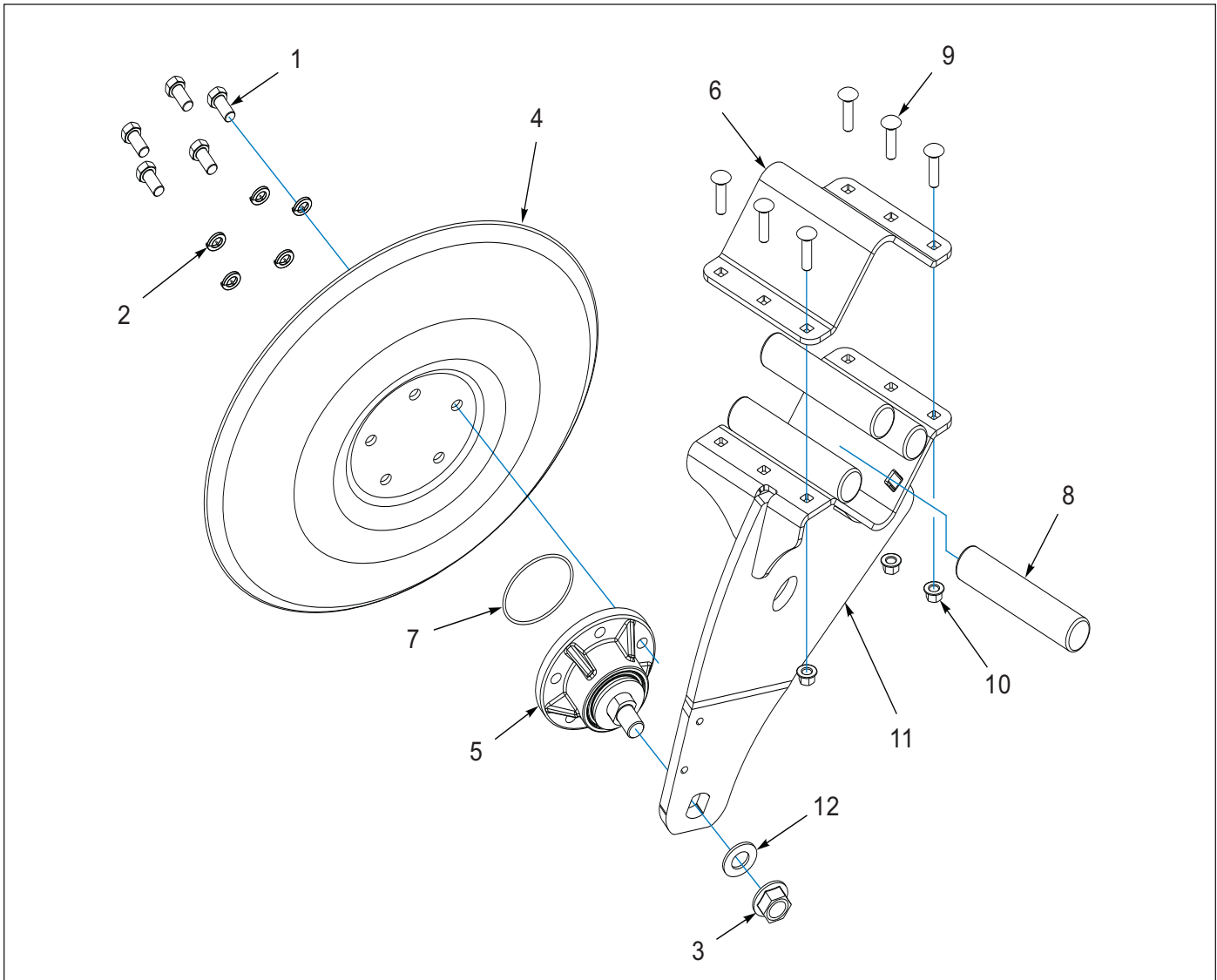


Figure 1-27: Left Disc Assembly - Smooth

Left Disc Assembly - Smooth

ITEM	PART NUMBER	DESCRIPTION	QTY.
	217317	DISC-LH, HYBRID, 17-7, SMOOTH ASSEM	--
1	1-654-010059-02	SCREW,HEX CAP,5/8-11X1-1/4GR5	5
2	1-861-010034-15	WASHER,LKG,HLCL SPR,5/8	5
3	174732	NUT, FLG HD, TOPLOCK, 1-8 UNC	1
4	175329	BLADE-HSL, NO NOTCH, 24 X 1/4	1
5	185742	HUB-HSL DISC, ASSEMBLY	1
6	186979	CAP SHANK MOUNT	1
7	202843	O-RING, 4" ID X 1/8" BUNA	1
8	203525	SPRING-TORSION, RUBBER, 1-3/4	4
9	209392	SCREW-RDH, SQ NK,1/2-20X2,GR8	6
10	209393	NUT,1/2-20,LG FLNG HD TOP LOCK	6
11	217287	SHANK-HYBRID, LH, 17-7, WLDMNT	1
12	622-3511-010	WASHER, FLAT 1" MIL-CARB SAE	1

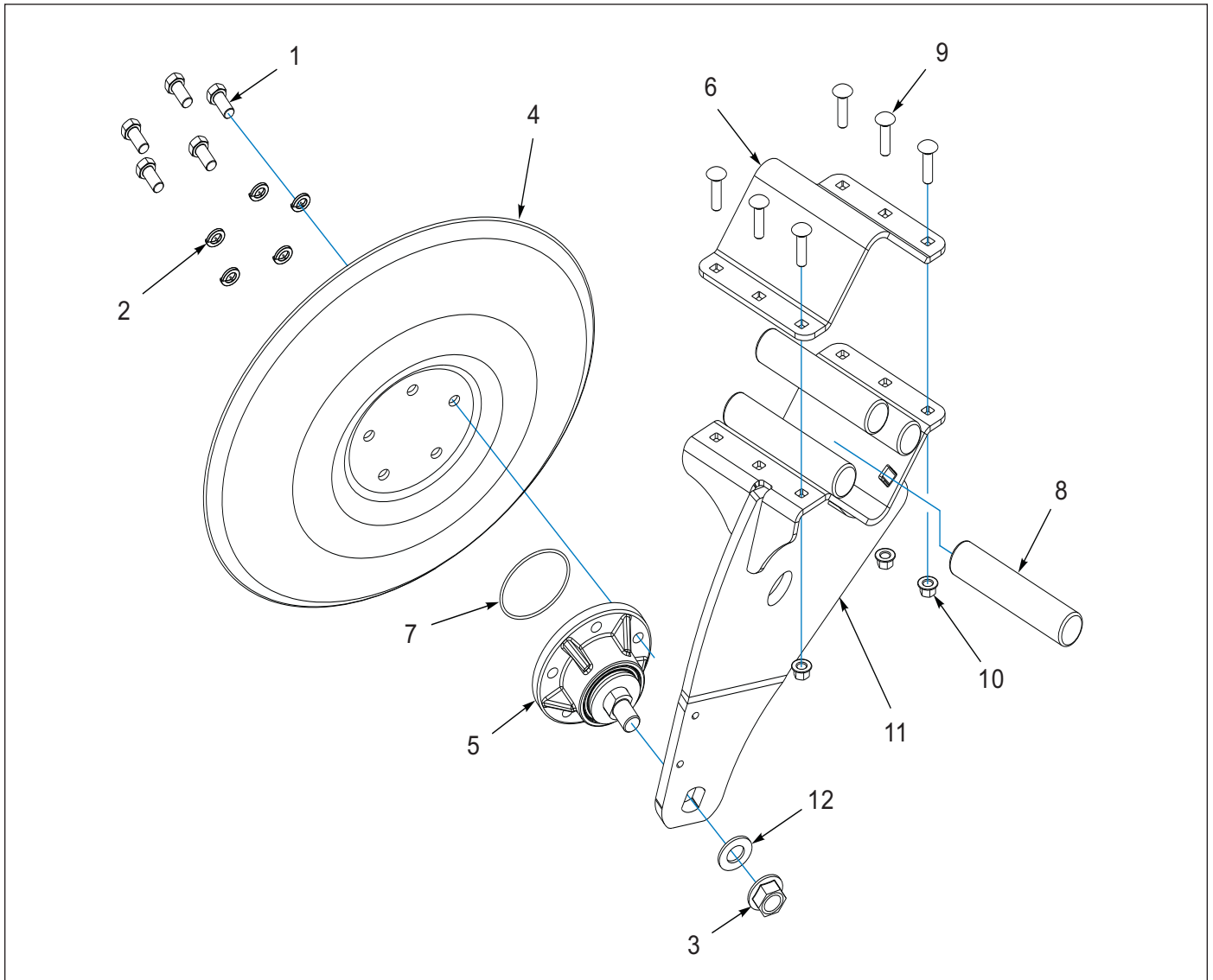


Figure 1-28: Left Disc Assembly - Rollable

Left Disc Assembly - Rollable

ITEM	PART NUMBER	DESCRIPTION	QTY.
	217319	DISC-LH, HYBRID, 17-7, ROLLABLE ASSEM	--
1	1-654-010059-02	SCREW,HEX CAP,5/8-11X1-1/4GR5	5
2	1-861-010034-15	WASHER,LKG,HLCL SPR,5/8	5
3	174732	NUT, FLG HD, TOPLOCK, 1-8 UNC	1
4	198785	BLADE-HSL, SMOOTH, 24 X 1/4, ROLLABLE	1
5	185742	HUB-HSL DISC, ASSEMBLY	1
6	186979	CAP SHANK MOUNT	1
7	202843	O-RING, 4" ID X 1/8" BUNA	1
8	203525	SPRING-TORSION, RUBBER, 1-3/4	4
9	209392	SCREW-RDH, SQ NK,1/2-20X2,GR8	6
10	209393	NUT,1/2-20,LG FLNG HD TOP LOCK	6
11	217287	SHANK-HYBRID, LH, 17-7, WLDMNT	1
12	622-3511-010	WASHER, FLAT 1" MIL-CARB SAE	1

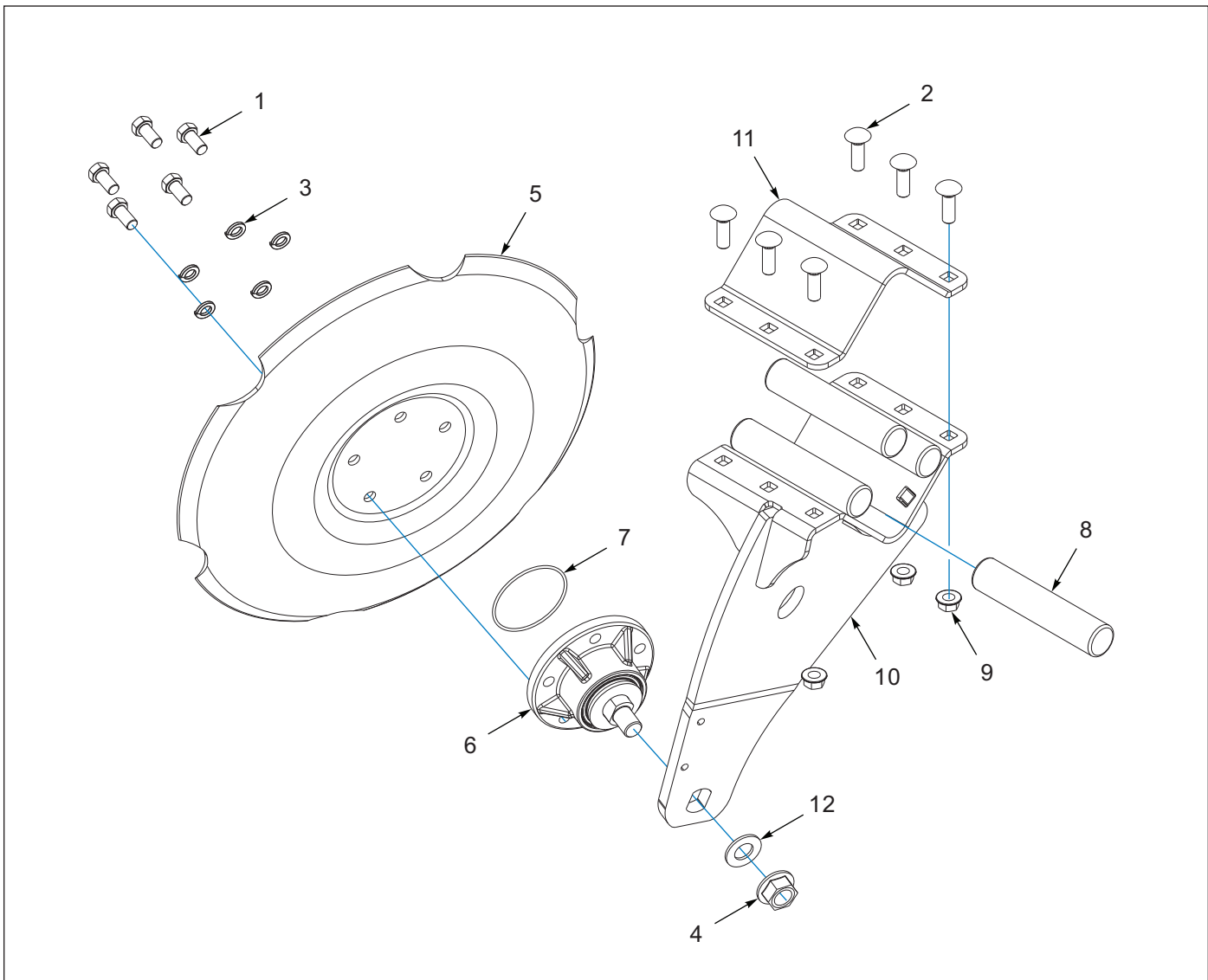


Figure 1-29: Left Disc Assembly - Hybrid

Left Disc Assembly - Hybrid

ITEM	PART NUMBER	DESCRIPTION	QTY.
	217315	DISC-LH, HYBRID, 17-7, NOTCHD ASM	--
1	1-654-010059-02	SCREW, HEX CAP, 5/8-11X1-1/4GR5	5
2	1-654-010126-05	SCREW, RD HD, SQNCK, 5/8-11X2 G5	6
3	1-861-010034-15	WASHER, LKG, HLCL SPR, 5/8	5
4	174732	NUT, FLG HD, TOPLOCK, 1-8 UNC	1
5	175283	DISC BLADE LH 24X1/4 DIR NOTCH	1
6	185742	HUB-HSL DISC, ASSEMBLY	1
7	202843	O-RING, 4" ID X 1/8" BUNA	1
8	203525	SPRING-TORSION, RUBBER, 1-3/4	4
9	218739	NUT, HD FLNG HEX, 5/8-11 UNC, GR5	6
10	221062	SHANK-HYBRID, LH, 17-7, WLDMT	1
11	221066	CAP-SHANK MOUNT	1
12	622-3511-010	WASHER, FLAT 1" MIL-CARB SAE	1

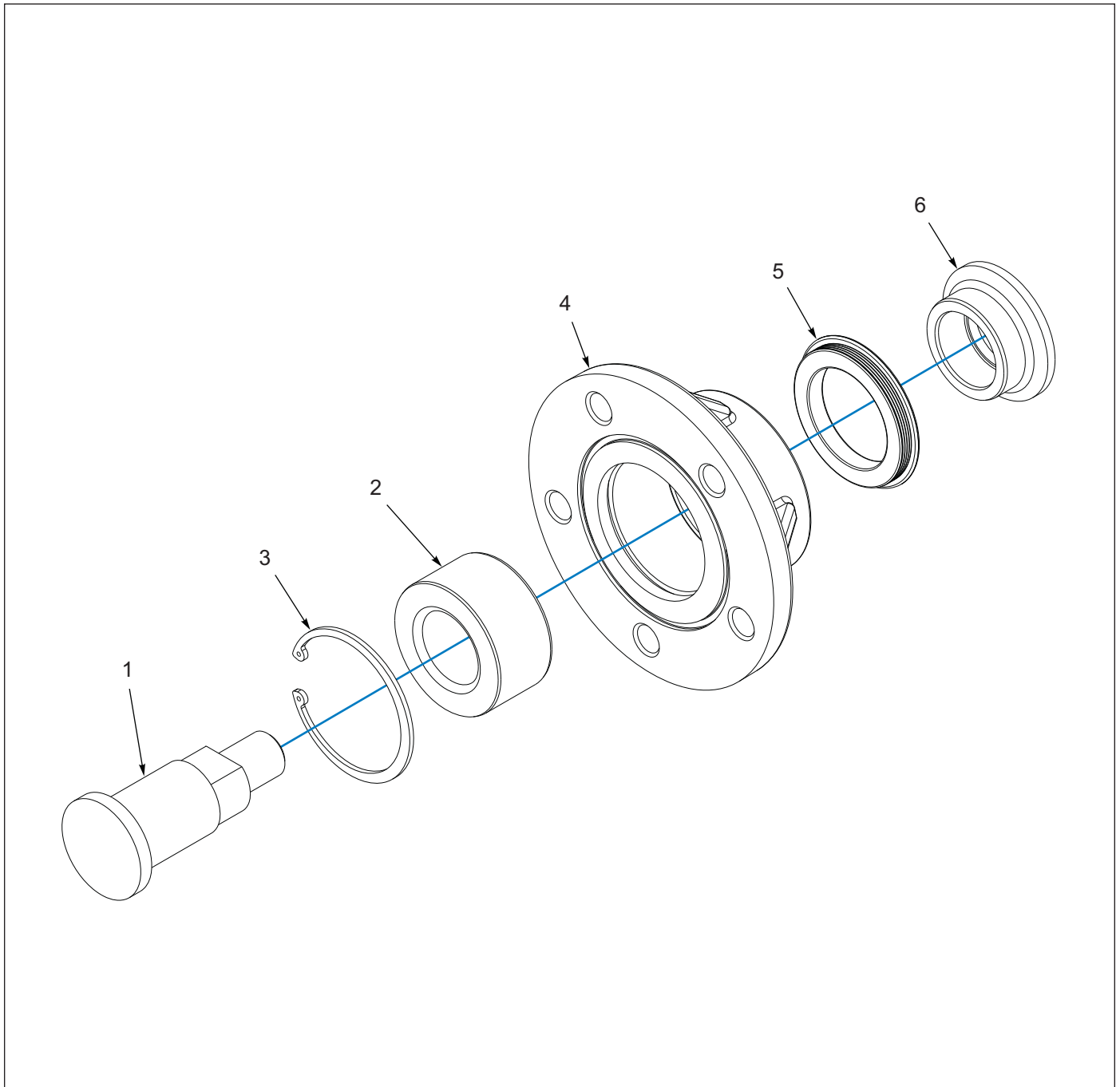


Figure 1-30: Disc Hub Assembly

Disc Hub Assembly

ITEM	PART NUMBER	DESCRIPTION	QTY.
	185742	HUB-HSL DISC, ASSEMBLY	--
1	174523	BOLT-SPINDLE, DISC, HSL	1
2	174526	BEARING, DOUBLE TAPER RLLR	1
3	174532	INTERNAL SNAP RING	1
4	185740	HUB-DISC, HSL CAST	1
5	185757	SEAL, MAINT FREE HUB HSL	1
6	188757	BUSHING-SPINDLE MOUNT	1

Scraper, Blade Assembly

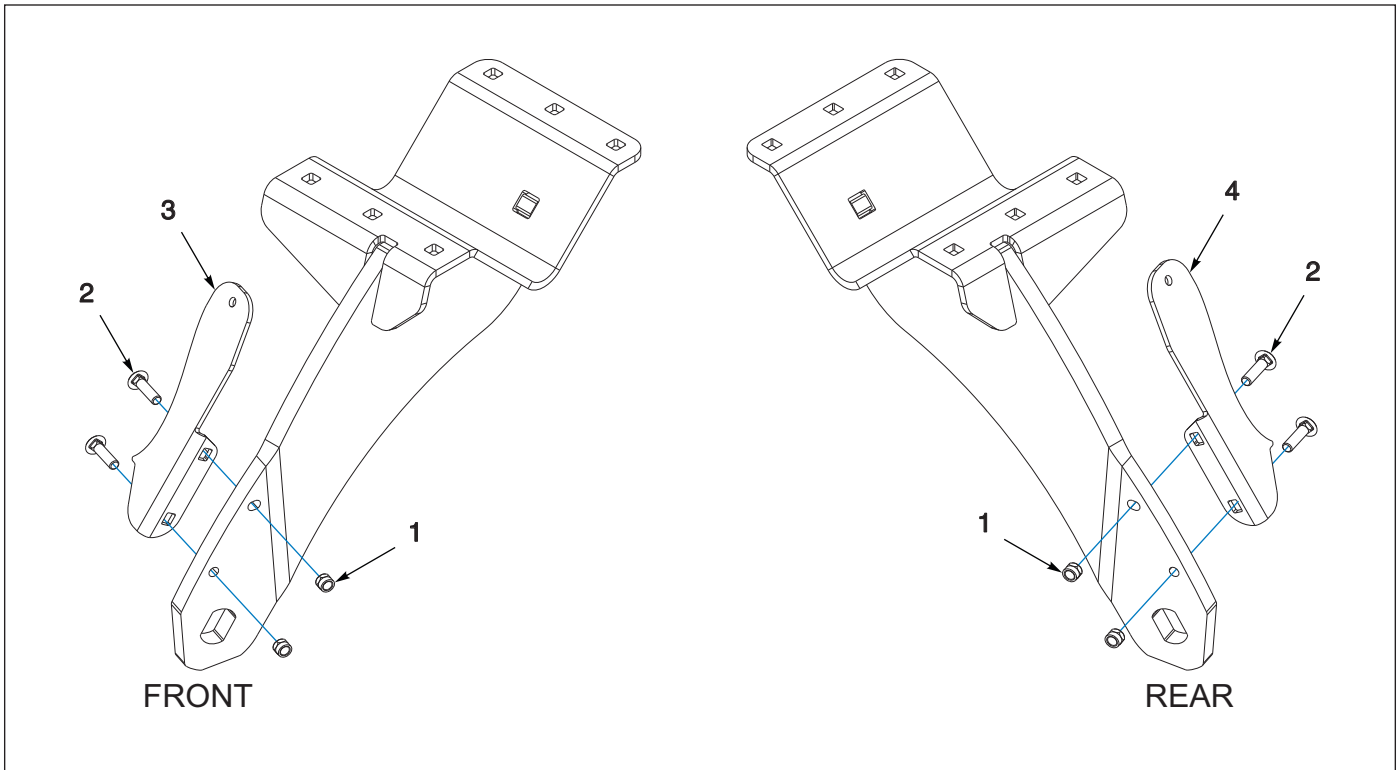


Figure 1-31: Scraper, Disc Blade

Scraper, Disc Blade

ITEM	PART NUMBER	DESCRIPTION	QTY
1	1-512-010005-05	NUT, HEX, SLFLKG GRB 3/8-16	2
2	195009	SCREW, RD HD 3/8-16X1-1/2 GR5	2
3	195162	SCRAPER COMPOUND FRONT HSL (BEFORE 03/01/2018)	1
3	195161	SCRAPER-FRONT LH, HSL (AFTER 03/01/2018)	1
4	195163	SCRAPER COMPOUND REAR HSL (BEFORE 03/01/2018)	1
4	195164	SCRAPER-REAR RH, HSL (AFTER 03/01/2018)	1

Spring Reel Assemblies

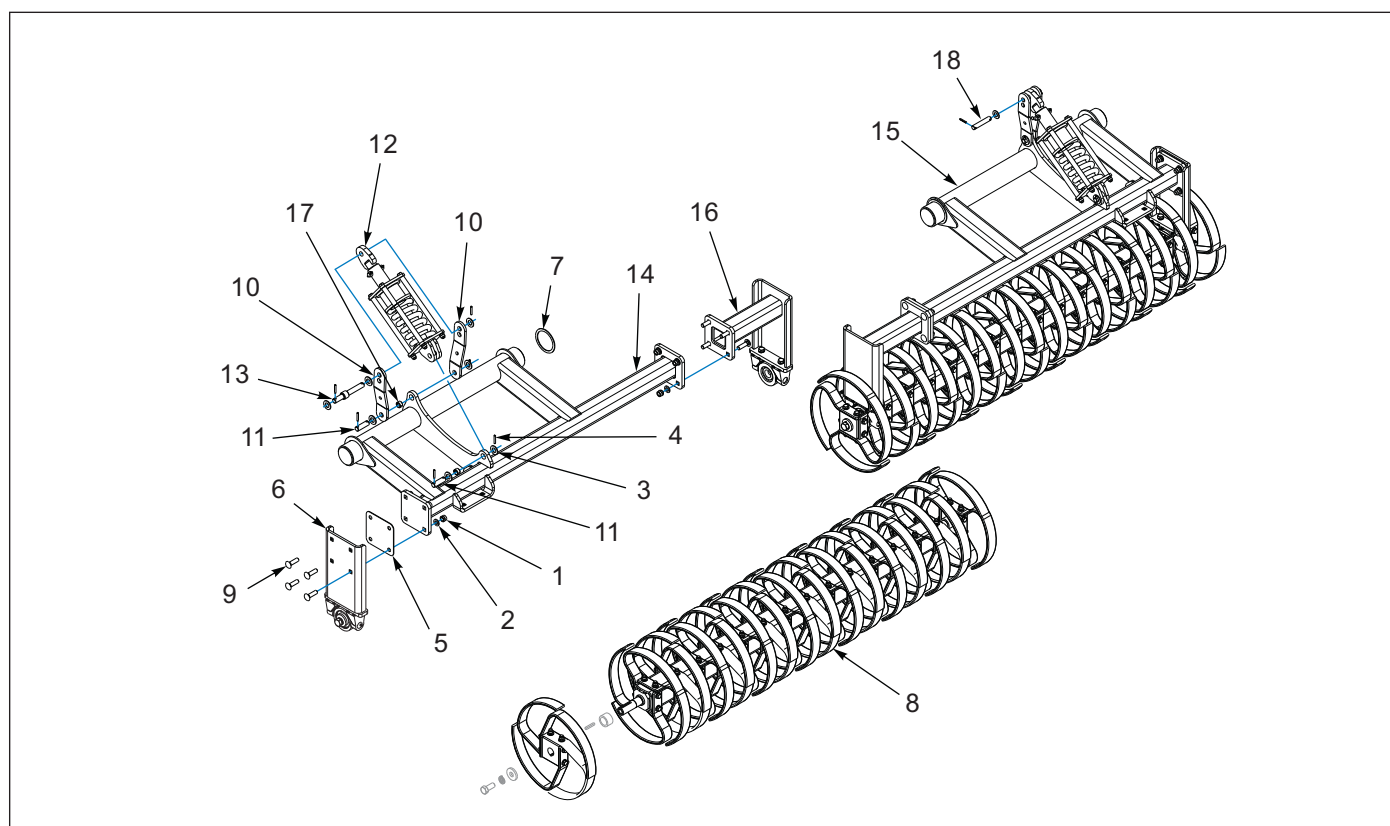


Figure 1-32: Spring Reel Assembly - 15'

Spring Reel Assembly - 15'

ITEM	PART NUMBER	DESCRIPTION	QTY.
	219903	REEL-SPRING,4LEAF,7822-15,ASM	--
1	1-512-010005-15	NUT,HEX,SLFLKG GRB 3/4-10	16
2	1-861-010032-20	WASHER, FLAT,3/4 N ZP/CD	16
3	1-861-010032-24	WASHER FL 1IN NARROW ZP	13
4	147072	PIN, SPRING SLOTTED 5/16 X 2	12
5	187755	PLATE SHIM 11 GA	2
6	191759	MOUNT, SPRING-REEL, ASSY (SEE PAGE 1-72)	2
7	195066	WASHER SHIM ROCKSHAFT	2
8	199417	REEL-SPRING, ASSEMBLY (SEE PAGE 1-66)	2
9	201250	SCREW,RD,HD,SQ NK,3/4-10X2-3/4	16
10	207537	LINK IDLER	4
11	209162	PIN, 1 X 3-1/4, H2	4
12	209183	LINK-SPRING, K2700 ASSY (SEE PAGE 1-74)	2
13	209196	PIN-REEL CONTROL	1
14	223313	ROCKSHAFT-LH REEL MOUNT WLDMT	1
15	223314	ROCKSHAFT-RH REEL MOUNT WLDMT	1
16	214684	EXTENSION-SPRING REEL, ASSY (SEE PAGE 1-73)	2
17	3P079	SPRING BUSHING,1 X 1.25 X 0.75	4
18	5J768	PIN	1

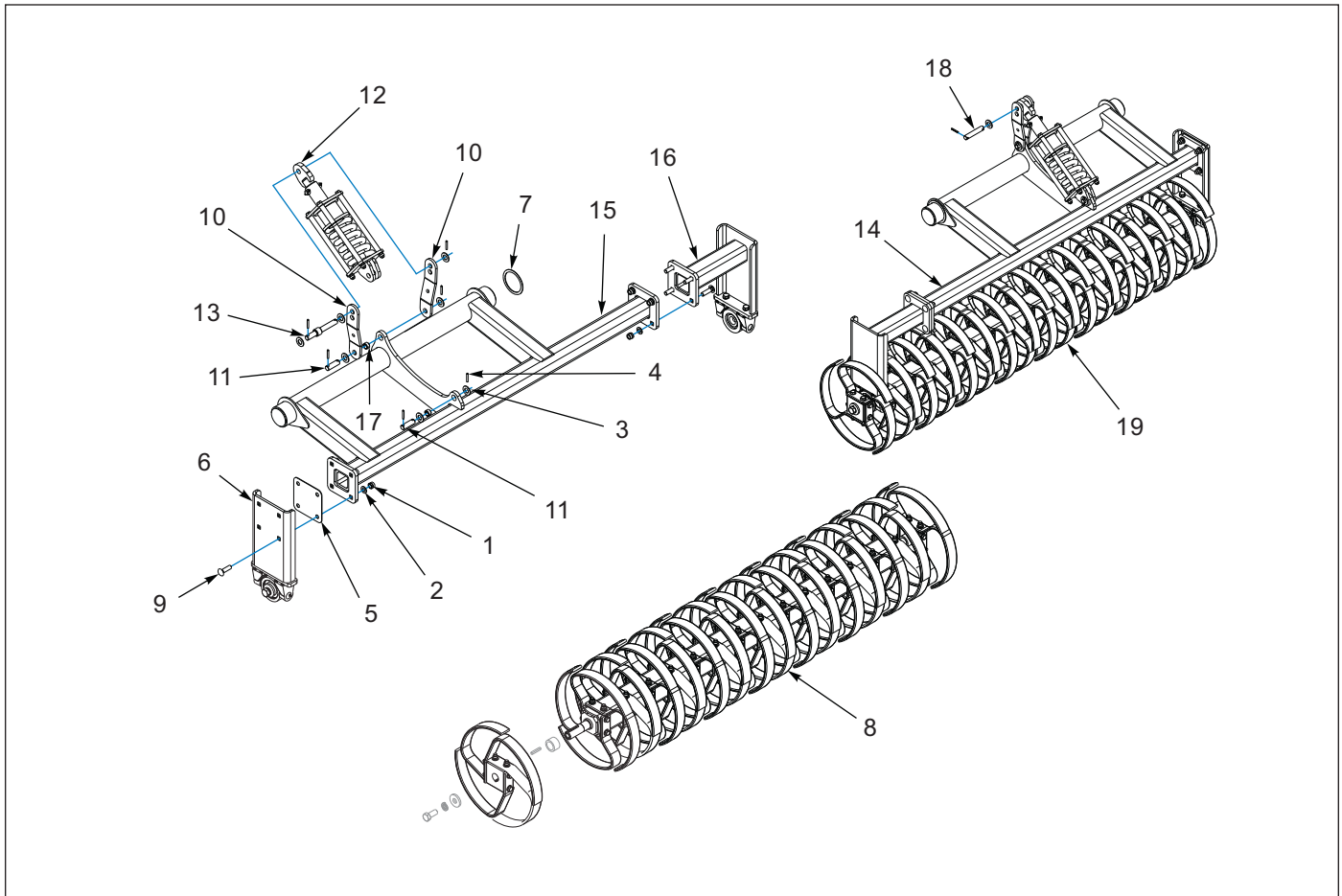


Figure 1-33: Spring Reel Assembly - 17'

Spring Reel Assembly - 17'

ITEM	PART NUMBER	DESCRIPTION	QTY.
	219907	REEL-SPRING,4LEAF,7822-17,ASM	--
1	1-512-010005-15	NUT,HEX,SLFLKG GRB 3/4-10	16
2	1-861-010032-20	WASHER, FLAT,3/4 N ZP/CD	16
3	1-861-010032-24	WASHER FL 1IN NARROW ZP	13
4	147072	PIN, SPRING SLOTTED 5/16 X 2	12
5	187755	PLATE SHIM 11 GA	2
6	191759	MOUNT, SPRING-REEL, ASSY (SEE PAGE 1-72)	2
7	195066	WASHER SHIM ROCKSHAFT	1
8	198763	REEL-SPRING, ASSEMBLY (SEE PAGE 1-66)	1
9	201250	SCREW,RD,HD,SQ NK,3/4-10X2-3/4	16
10	207537	LINK IDLER	4
11	209162	PIN, 1 X 3-1/4, H2	4
12	207577	LINK-SPRING, K3400, ASM (SEE PAGE 1-74)	2
13	209196	PIN-REEL CONTROL	1
14	223311	ROCKSHAFT, LH, REEL, MOUNT, WLDMNT	1
15	223312	ROCKSHAFT-7821, RH, REEL, MOUNT. WLDMNT	1
16	214684	EXTENSION-SPRING REEL, ASSY (SEE PAGE 1-73)	2
17	3P079	SPRING BUSHING,1 X 1.25 X 0.75	4
18	5J768	PIN	1
19	198767	REEL-SPRING, ASSEMBLY (SEE PAGE 1-66)	1

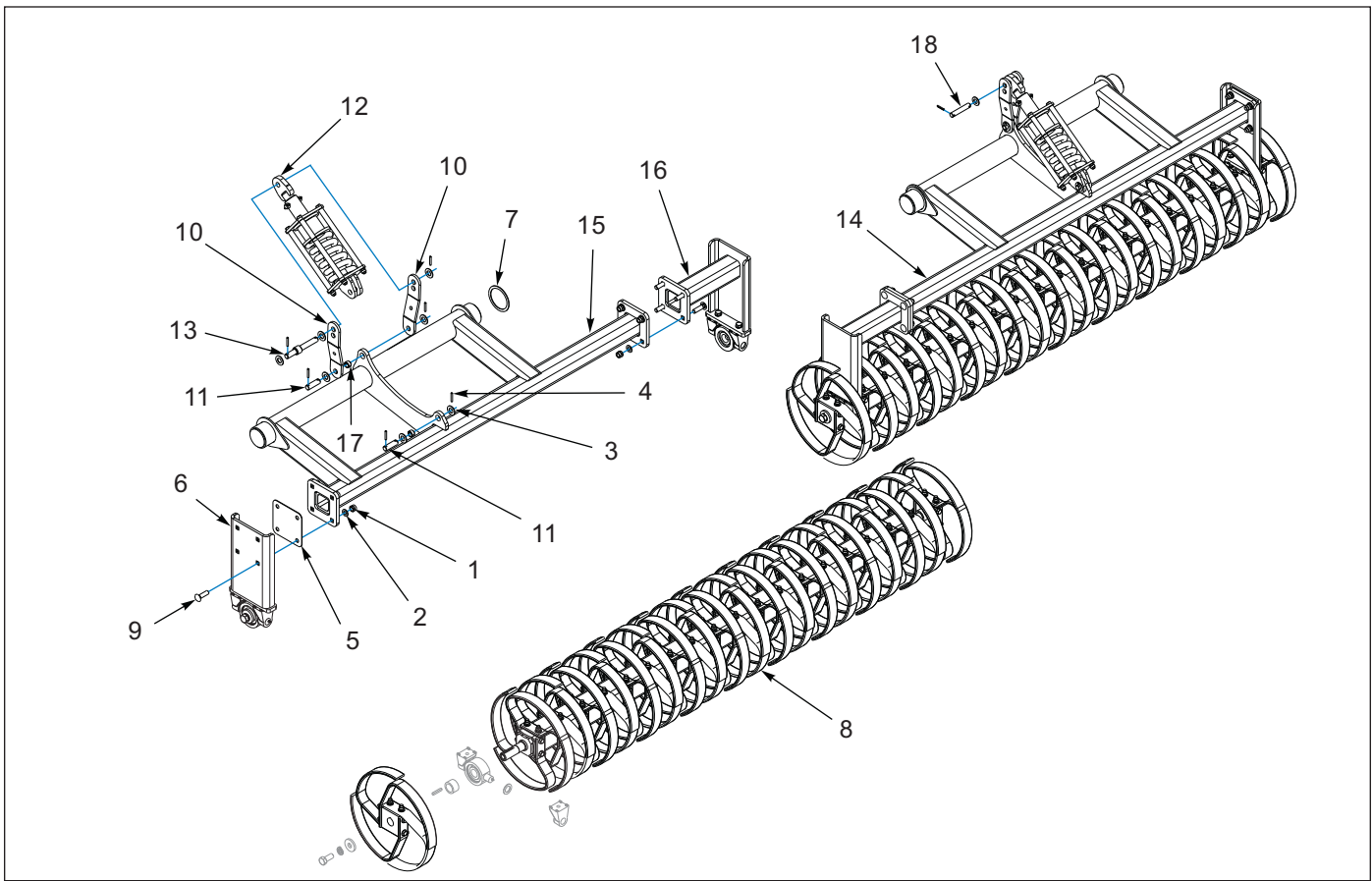


Figure 1-34: Spring Reel Assembly - 20'

Spring Reel Assembly - 20'

ITEM	PART NUMBER	DESCRIPTION	QTY.
	219911	REEL-SPRING, 4LEAF,7822-20,ASM	--
1	1-512-010005-15	NUT,HEX,SLFLKG GRB 3/4-10	16
2	1-861-010032-20	WASHER, FLAT,3/4 N ZP/CD	16
3	1-861-010032-24	WASHER FL 1IN NARROW ZP	13
4	147072	PIN, SPRING SLOTTED 5/16 X 2	12
5	187755	PLATE SHIM 11 GA	2
6	191759	MOUNT, SPRING-REEL, ASSY (SEE PAGE 1-72)	2
7	195066	WASHER SHIM ROCKSHAFT	1
8	198746	REEL-SPRING, 125 INCH, ASSM (SEE PAGE 1-66)	1
9	201250	SCREW,RD,HD,SQ NK,3/4-10X2-3/4	16
10	207537	LINK IDLER	4
11	209162	PIN, 1 X 3-1/4, H2	4
12	207577	LINK-SPRING, K3400, ASM (SEE PAGE 1-74)	2
13	209196	PIN-REEL CONTROL	1
14	223315	ROCKSHAFT-REEL, LH, 7822. WLDMNT	1
15	223316	ROCKSHAFT-REEL, RH, 7822. WLDMNT	1
16	214684	EXTENSION-SPRING REEL, ASSY (SEE PAGE 1-73)	2
17	3P079	SPRING BUSHING,1 X 1.25 X 0.75	4
18	5J768	PIN	1

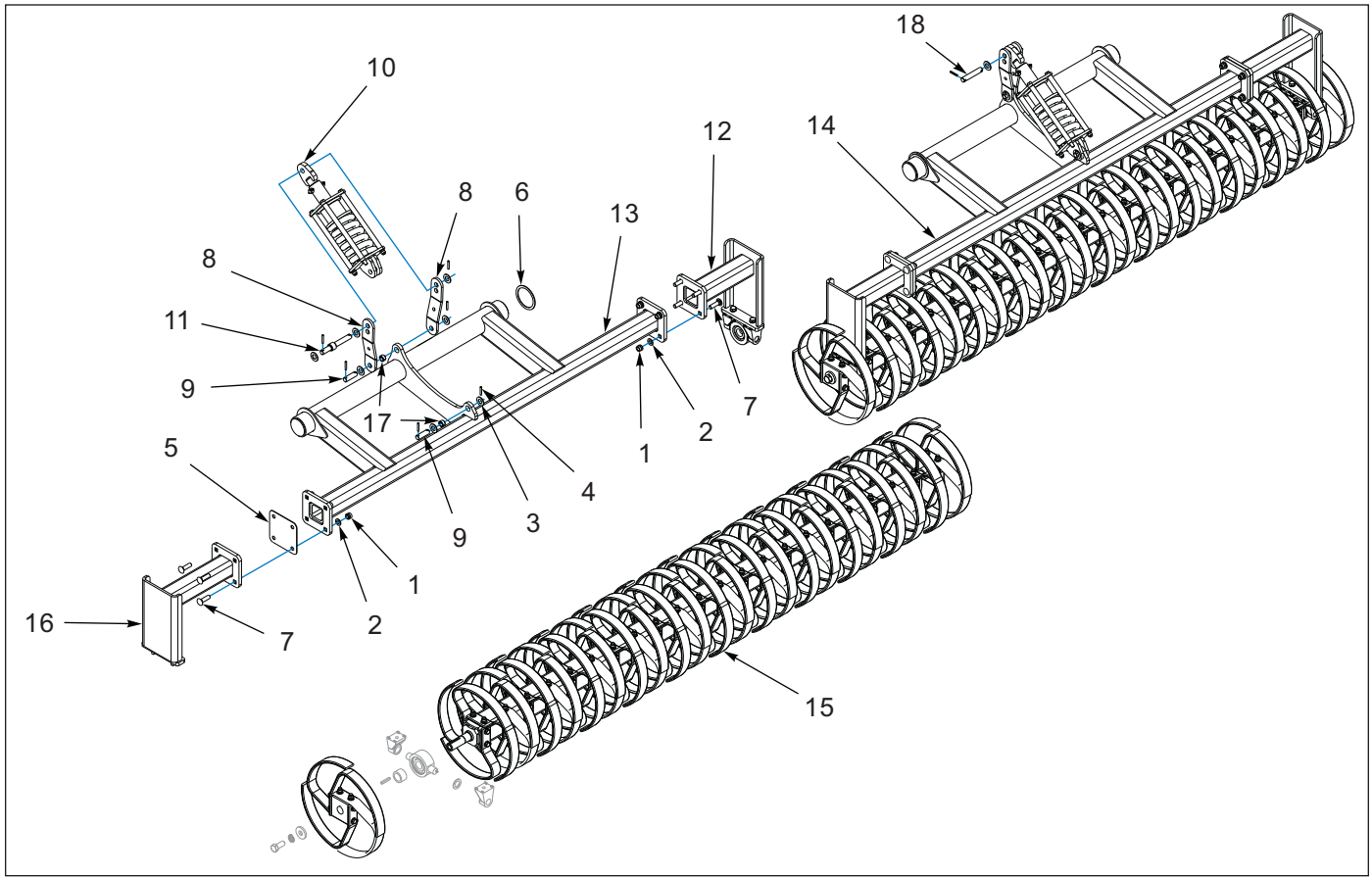


Figure 1-35: Spring Reel Assembly - 23'

Spring Reel Assembly - 23'

ITEM	PART NUMBER	DESCRIPTION	QTY.
	220811	REEL-SPRING,4LEAF,7822-23,ASM	--
1	1-512-010005-15	NUT,HEX,SLFLKG GRB 3/4-10	16
2	1-861-010032-20	WASHER, FLAT,3/4 N ZP/CD	16
3	1-861-010032-24	WASHER FL 1IN NARROW ZP	13
4	147072	PIN, SPRING SLOTTED 5/16 X 2	12
5	187755	PLATE SHIM 11 GA	2
6	195066	WASHER SHIM ROCKSHAFT	1
7	201250	SCREW,RD,HD,SQ NK,3/4-10X2-3/4	16
8	207537	LINK IDLER	4
9	209162	PIN, 1 X 3-1/4, H2	4
10	209184	LINK-SPRING, K4600, ASM (SEE PAGE 1-74)	2
11	209196	PIN-REEL CONTROL	1
12	214684	EXTENSION-SPRING REEL, ASSY (SEE PAGE 1-73)	2
13	223315	ROCKSHAFT-REEL, LH, 7822. WLDMNT	1
14	223316	ROCKSHAFT-REEL, RH, 7822. WLDMNT	1
15	220815	REEL-SPRING, 145 INCH, ASSM (SEE PAGE 1-66)	2
16	220818	EXTENSION-SPRING REEL, ASSY (SEE PAGE 1-73)	2
17	3P079	SPRING BUSHING,1 X 1.25 X 0.75	4
18	5J768	PIN	1

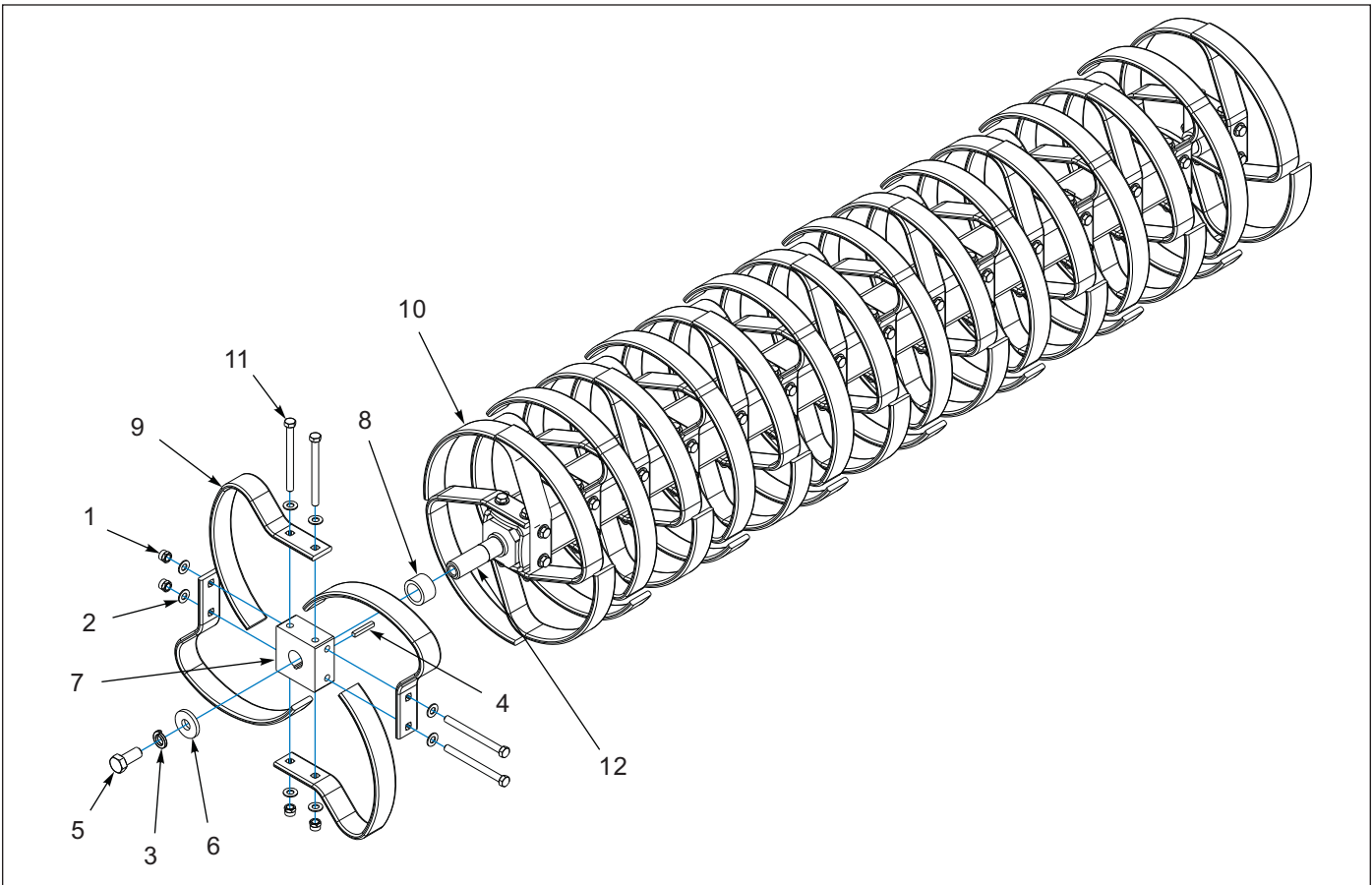


Figure 1-36: Spring Reel Assembly

Spring Reel Assembly

ITEM	PART NUMBER	DESCRIPTION	QTY.			
	199417	REEL-SPRING, ASSEMBLY	1	--	--	--
	198767	REEL-SPRING, ASSEMBLY	--	1	--	--
	198746	REEL-SPRING, 125 INCH ASSEM	--	--	1	--
	220815	REEL-SPRING, 145 INCH,ASSM	--	--	--	1
1	1-512-010005-13	NUT,HEX SLFLKG GRB 5/8-11	64	68	80	92
2	1-861-010032-18	WASHER, FLAT 5/8 N ZP/CD	128	136	160	184
3	1-861-010034-21	WASHER, LKG HEL SPRG 1IN	2	1	2	2
4	110-4349	KEY SQUARE 3/8X3/8X2-1/2	2	1	2	2
5	137943	SCREW,HEX CAP 1-8UNCX2-1/4GR5	2	1	2	2
6	154185	WASHER 3/8 THICK 1" ID	2	1	2	2
7	191740	HUB-SPRING REEL	2	1	2	2
8	191742	BUSHING, 2-1/2X1-13/16X1-1/2	2	1	2	2
9	195116	SPRING-REEL, HSL	32	32	40	44
10	195117	SPRING-REEL, HSL	32	36	40	48
11	209331	SCREW, HEX 5/8-11 UNC,GR5	64	68	80	92
12	199418	AXLE-SPRING REEL, WELDMENT	1	--	--	--
12	198764	AXLE-SPRING REEL, WELDMENT	--	1	--	--
12	198745	AXLE-SPRING REEL, WELDMENT	--	--	1	--
12	220816	AXLE-SPRING REEL, WELDMENT	--	--	--	1

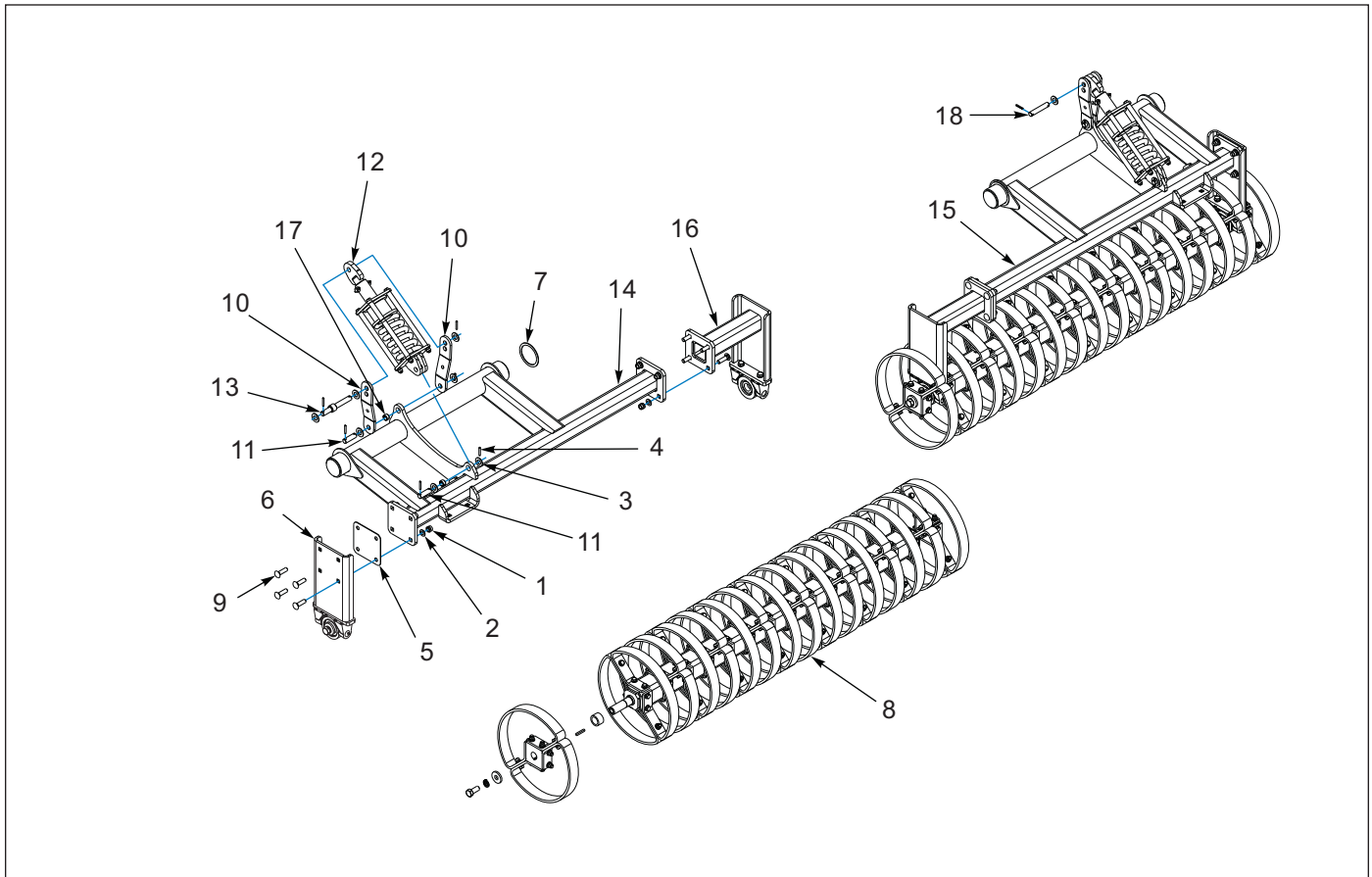


Figure 1-37: Hemi Spring Reel Assembly - 15'

Hemi Spring Reel Assembly - 15'

ITEM	PART NUMBER	DESCRIPTION	QTY.
	219904	REEL-SPRING,4LEAF,7822-15,ASM	--
1	1-512-010005-15	NUT,HEX,SLFLKG GRB 3/4-10	16
2	1-861-010032-20	WASHER, FLAT,3/4 N ZP/CD	16
3	1-861-010032-24	WASHER FL 1IN NARROW ZP	13
4	147072	PIN, SPRING SLOTTED 5/16 X 2	12
5	187755	PLATE SHIM 11 GA	2
6	191759	MOUNT, SPRING-REEL, ASSY (SEE PAGE 1-72)	2
7	195066	WASHER SHIM ROCKSHAFT	2
8	200775	REEL-SPRING, CENTER, ASSEMBLY (SEE PAGE 1-66)	2
9	201250	SCREW,RD,HD,SQ NK,3/4-10X2-3/4	16
10	207537	LINK IDLER	4
11	209162	PIN, 1 X 3-1/4, H2	4
12	209183	LINK-SPRING, K2700 ASSY (SEE PAGE 1-74)	2
13	209196	PIN-REEL CONTROL	1
14	223313	ROCKSHAFT-LH REEL MOUNT WLDMT	1
15	223314	ROCKSHAFT-RH REEL MOUNT WLDMT	1
16	214684	EXTENSION-SPRING REEL, ASSY (SEE PAGE 1-73)	2
17	3P079	SPRING BUSHING,1 X 1.25 X 0.75	4
18	5J768	PIN	1

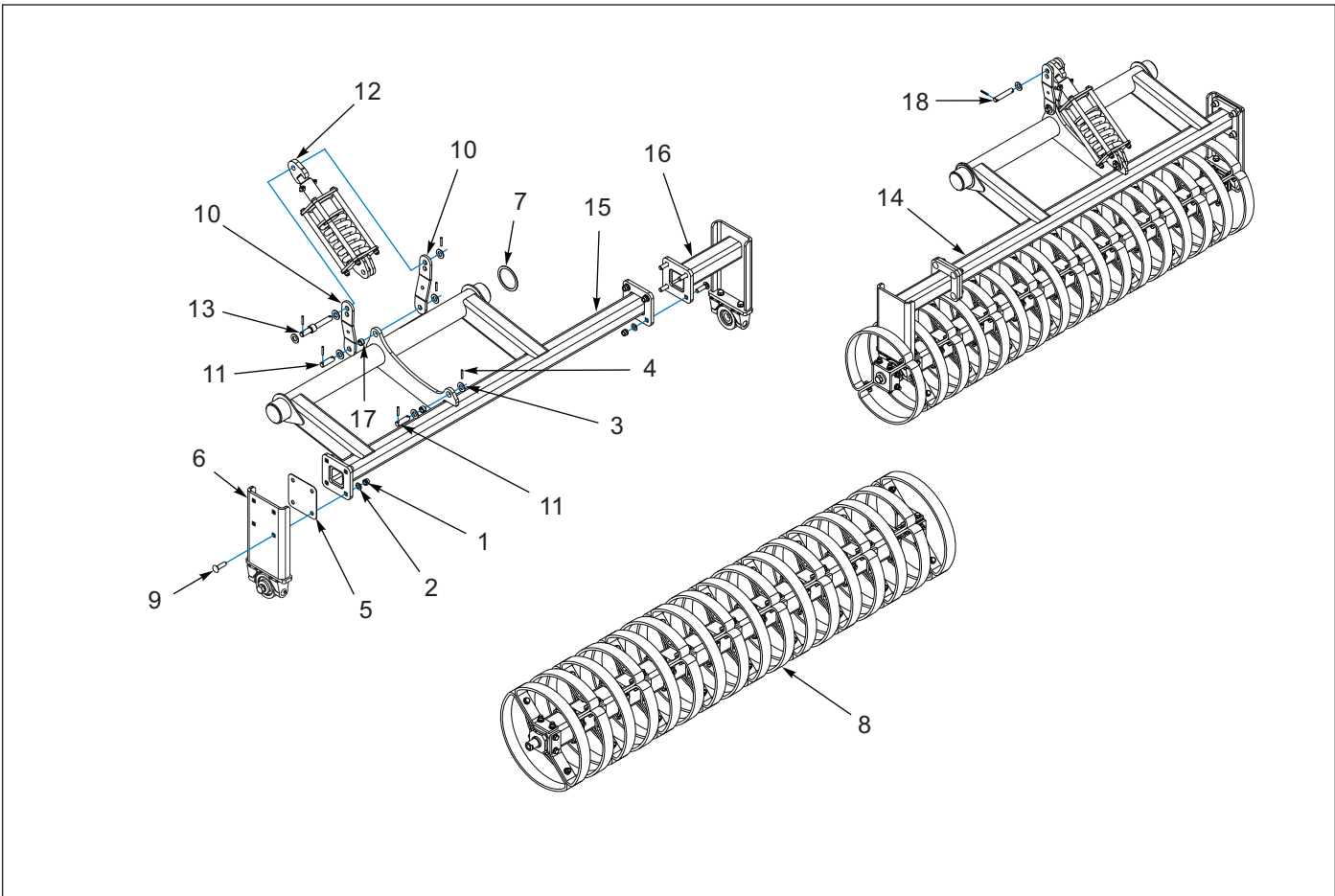


Figure 1-38: Hemi Spring Reel Assembly - 17'

Hemi Spring Reel Assembly - 17'

ITEM	PART NUMBER	DESCRIPTION	QTY.
	219907	REEL-SPRING,4LEAF,7822-17,ASM	--
1	1-512-010005-15	NUT,HEX,SLFLKG GRB 3/4-10	16
2	1-861-010032-20	WASHER, FLAT,3/4 N ZP/CD	16
3	1-861-010032-24	WASHER FL 1IN NARROW ZP	13
4	147072	PIN, SPRING SLOTTED 5/16 X 2	12
5	187755	PLATE SHIM 11 GA	2
6	191759	MOUNT, SPRING-REEL, ASSY (SEE PAGE 1-72)	2
7	195066	WASHER SHIM ROCKSHAFT	1
8	199469	REEL-SPRING, CENTER, ASSEMBLY (SEE PAGE 1-66)	1
9	201250	SCREW,RD,HD,SQ NK,3/4-10X2-3/4	16
10	207537	LINK IDLER	4
11	209162	PIN, 1 X 3-1/4, H2	4
12	207577	LINK-SPRING, K3400, ASM (SEE PAGE 1-74)	2
13	209196	PIN-REEL CONTROL	1
14	223311	ROCKSHAFT, LH, REEL, MOUNT, WLDMNT	1
15	223312	ROCKSHAFT-7821, RH, REEL, MOUNT. WLDMNT	1
16	214684	EXTENSION-SPRING REEL, ASSY (SEE PAGE 1-73)	2
17	3P079	SPRING BUSHING,1 X 1.25 X 0.75	4
18	5J768	PIN	1
19	198767	REEL-SPRING, ASSEMBLY (SEE PAGE 1-66)	1

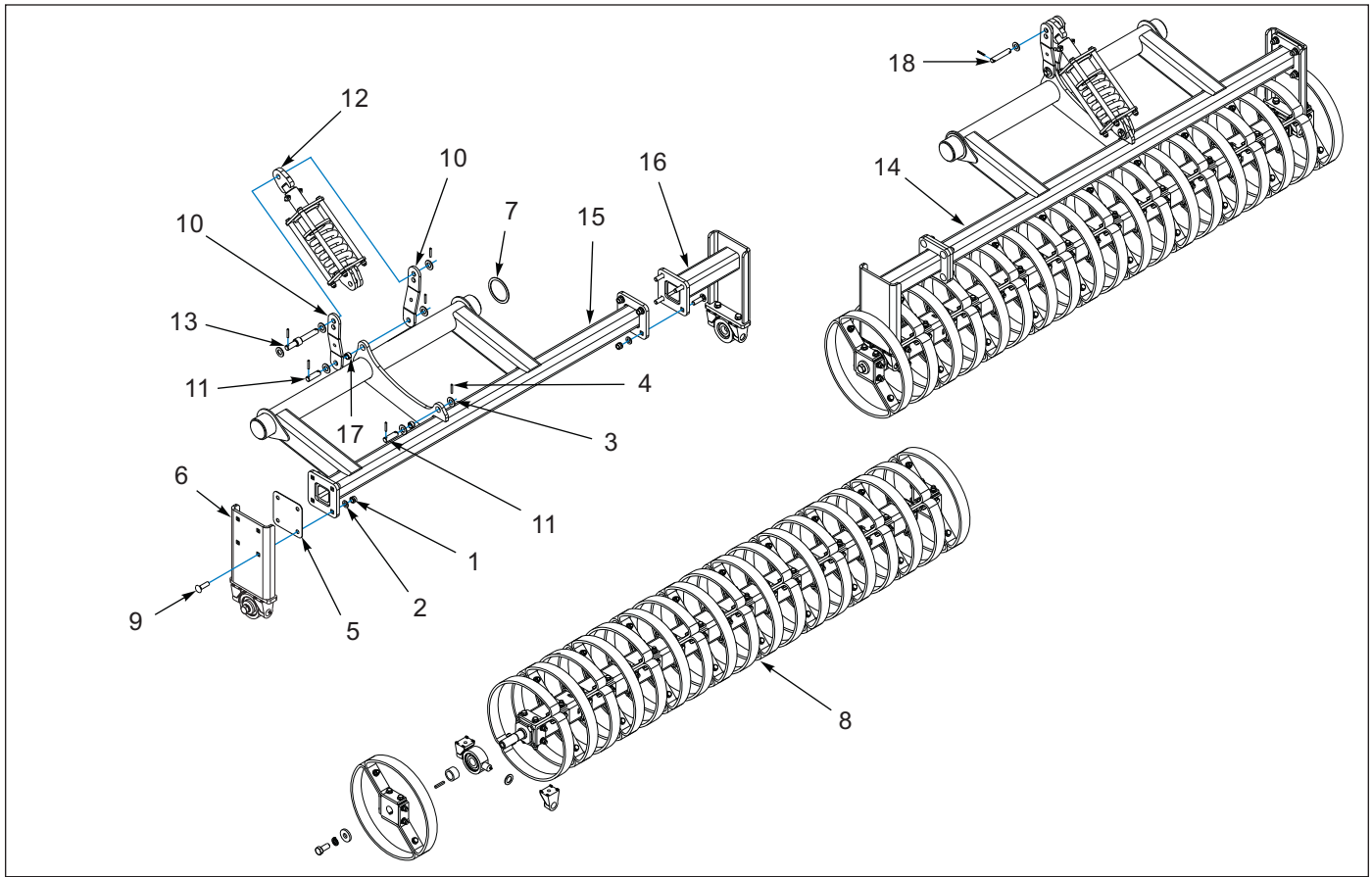


Figure 1-39: Hemi Spring Reel Assembly - 20'

Hemi Spring Reel Assembly - 20'

ITEM	PART NUMBER	DESCRIPTION	QTY.
	219912	REEL-SPRING, 4LEAF,7822-20,ASM	--
1	1-512-010005-15	NUT,HEX,SLFLKG GRB 3/4-10	16
2	1-861-010032-20	WASHER, FLAT,3/4 N ZP/CD	16
3	1-861-010032-24	WASHER FL 1IN NARROW ZP	13
4	147072	PIN, SPRING SLOTTED 5/16 X 2	12
5	187755	PLATE SHIM 11 GA	2
6	191759	MOUNT, SPRING-REEL, ASSY (SEE PAGE 1-72)	2
7	195066	WASHER SHIM ROCKSHAFT	1
8	199466	REEL-SPRING, CENTER, ASSEMBLY (SEE PAGE 1-66)	1
9	201250	SCREW,RD,HD,SQ NK,3/4-10X2-3/4	16
10	207537	LINK IDLER	4
11	209162	PIN, 1 X 3-1/4, H2	4
12	207577	LINK-SPRING, K3400, ASM (SEE PAGE 1-74)	2
13	209196	PIN-REEL CONTROL	1
14	223315	ROCKSHAFT-REEL, LH, 7822. WLDMNT	1
15	223316	ROCKSHAFT-REEL, RH, 7822. WLDMNT	1
16	214684	EXTENSION-SPRING REEL, ASSY (SEE PAGE 1-73)	2
17	3P079	SPRING BUSHING,1 X 1.25 X 0.75	4
18	5J768	PIN	1

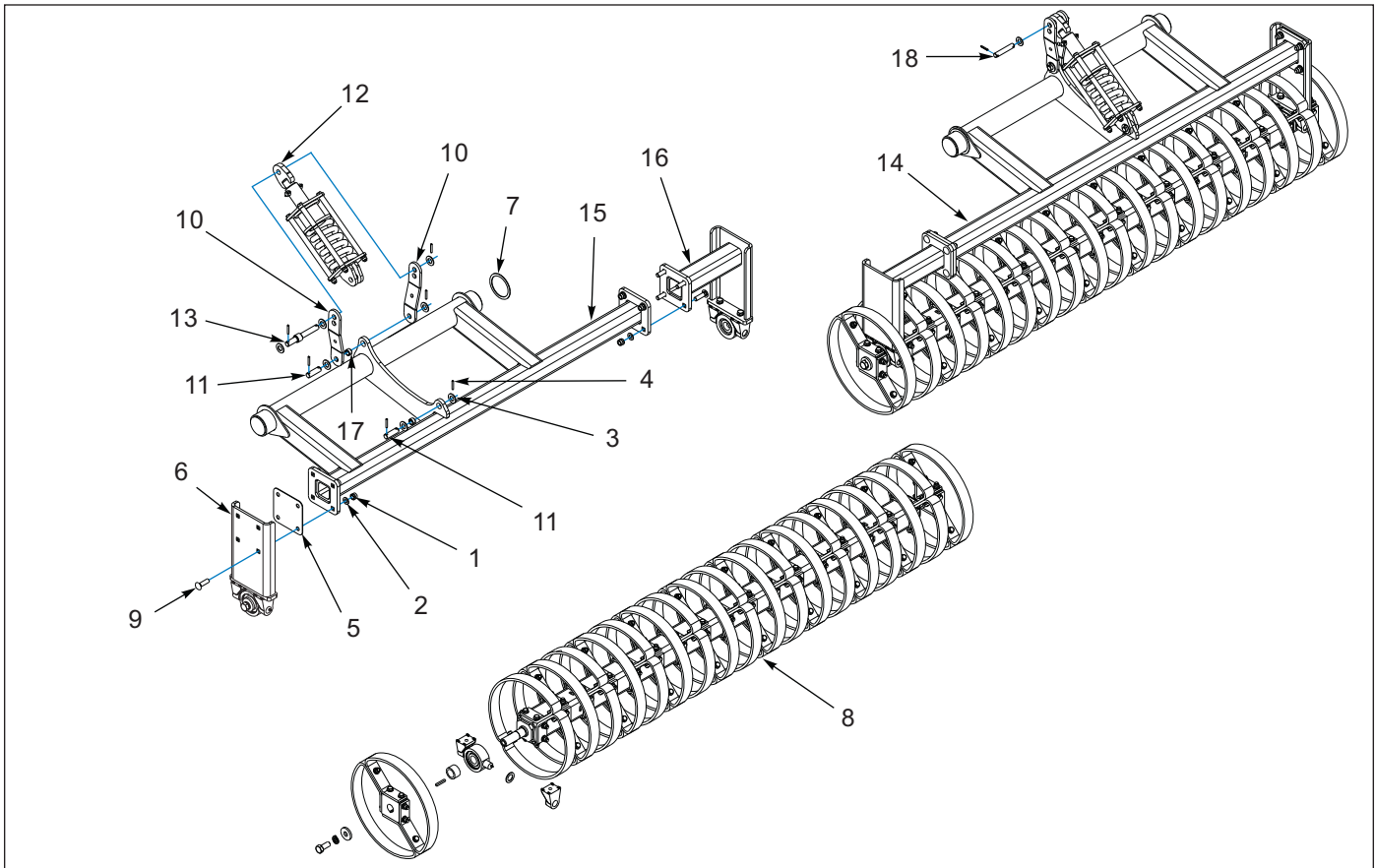


Figure 1-40: Hemi Spring Reel Assembly - 23'

Hemi Spring Reel Assembly - 23'

ITEM	PART NUMBER	DESCRIPTION	QTY.
	220812	REEL-SPRING, 4LEAF,7822-23,ASM	--
1	1-512-010005-15	NUT,HEX,SLFLKG GRB 3/4-10	16
2	1-861-010032-20	WASHER, FLAT,3/4 N ZP/CD	16
3	1-861-010032-24	WASHER FL 1IN NARROW ZP	13
4	147072	PIN, SPRING SLOTTED 5/16 X 2	12
5	187755	PLATE SHIM 11 GA	2
6	220818	MOUNT, SPRING-REEL, ASSY (SEE PAGE 1-72)	2
7	195066	WASHER SHIM ROCKSHAFT	2
8	220821	REEL-SPRING, CENTER, ASSEMBLY (SEE PAGE 1-71)	2
9	201250	SCREW,RD,HD,SQ NK,3/4-10X2-3/4	16
10	207537	LINK IDLER	4
11	209162	PIN, 1 X 3-1/4, H2	4
12	209184	LINK-SPRING, K4600, ASM (SEE PAGE 1-74)	2
13	209196	PIN-REEL CONTROL	1
14	223315	ROCKSHAFT-REEL, LH, 7822. WLDMNT	1
15	223316	ROCKSHAFT-REEL, RH, 7822. WLDMNT	1
16	214684	EXTENSION-SPRING REEL, ASSY (SEE PAGE 1-73)	2
17	3P079	SPRING BUSHING,1 X 1.25 X 0.75	4
18	5J768	PIN	1

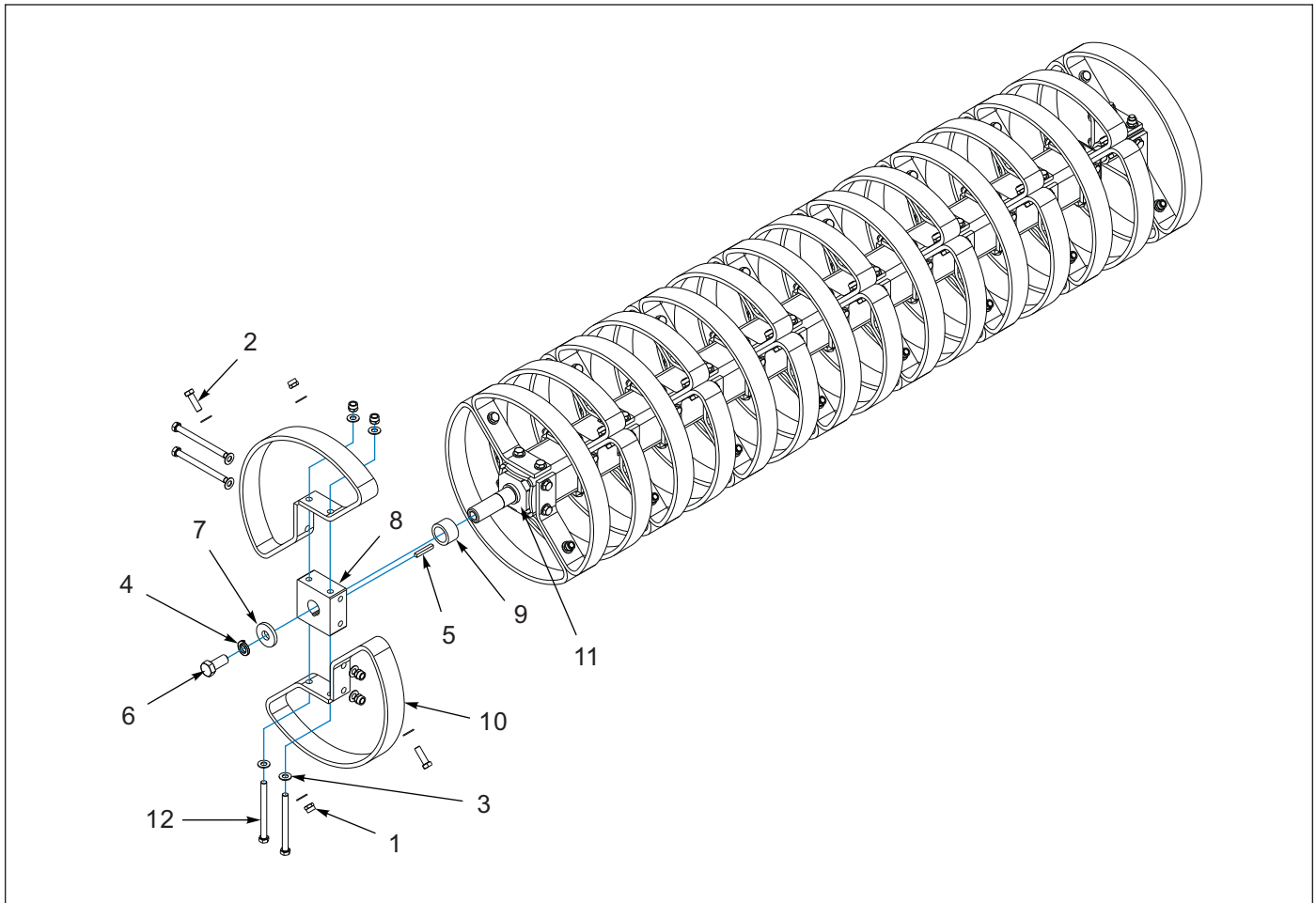


Figure 1-41: Hemi Spring Reel Assembly

Hemi Spring Reel Assembly

ITEM	PART NUMBER	DESCRIPTION	QTY.		
	219904	REEL-SPRING, HEMI,7822-15,ASM	--	--	--
	219908	REEL-SPRING, HEMI,7822-17,ASM	--	--	--
	219912	REEL-SPRING,HEMI,7822-20,ASM	--	--	--
1	1-512-010005-13	NUT,HEX SLFLKG GRB 5/8-11	96	102	114
2	1-654-010059-05	SCREW,HEX CAP,5/8-11UNCX2 GR5	32	34	38
3	1-861-010032-18	WASHER, FLAT 5/8 N ZP/CD	192	204	228
4	1-861-010034-21	WASHER, LKG HEL SPRG 1IN	2	1	2
5	110-4349	KEY SQUARE 3/8X3/8X2-1/2	2	1	2
6	137943	SCREW,HEX CAP 1-8UNCX2-1/4GR5	2	1	2
7	154185	WASHER 3/8 THICK 1" ID	2	1	2
8	191740	HUB-SPRING REEL	2	1	2
9	191742	BUSHING, 2-1/2X1-13/16X1-1/2	2	1	2
10	195079	SPRING-REEL, HSL	32	34	38
11	200776	AXLE-SPRING REEL, WELDMENT	1	--	--
11	199470	AXLE WLDMT SPRING REEL	--	1	--
11	199467	AXLE-SPRING REEL, WELDMENT	--	--	1
12	209331	SCREW, HEX 5/8-11 UNC,GR5	64	68	76

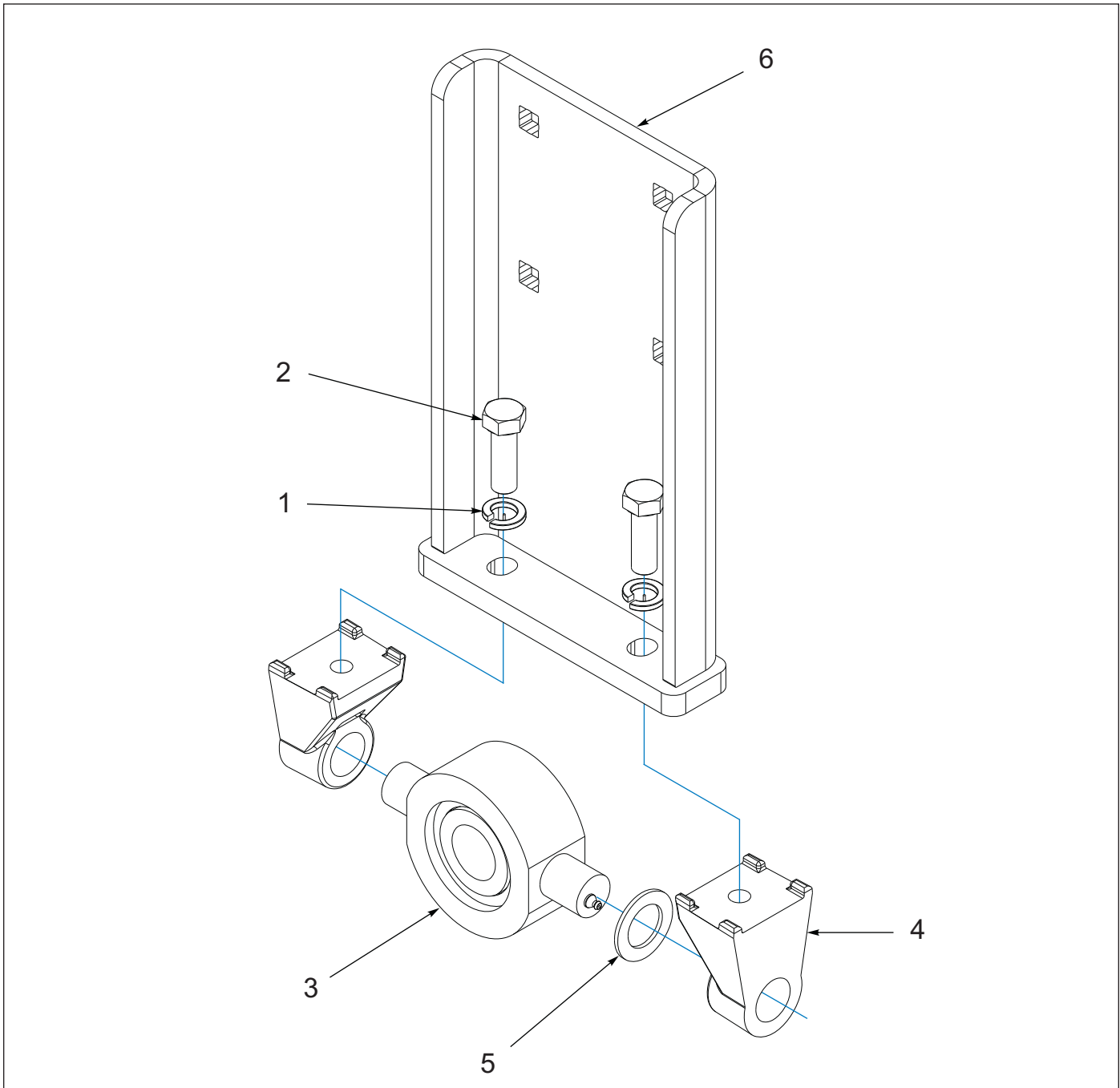


Figure 1-42: Spring Reel Mount Assembly

Spring Reel Mount Assembly

ITEM	PART NUMBER	DESCRIPTION	QTY.
	191759	MOUNT, SPRING-REEL, ASSEM	--
1	1-861-010034-17	WASHER,LKG,HLCL SPR,3/4	2
2	100941	SCREW,HEXCAP,3/4-10X2-1/4G8ZP	2
3	140477	BEARING, DISC 1.775 ID ASSY	1
4	140479	MOUNT, TRUNNION	2
5	140480	WASHER, TRUNNION	1
6	188825	BRACKET-REEL MOUNT, WLDMT	1

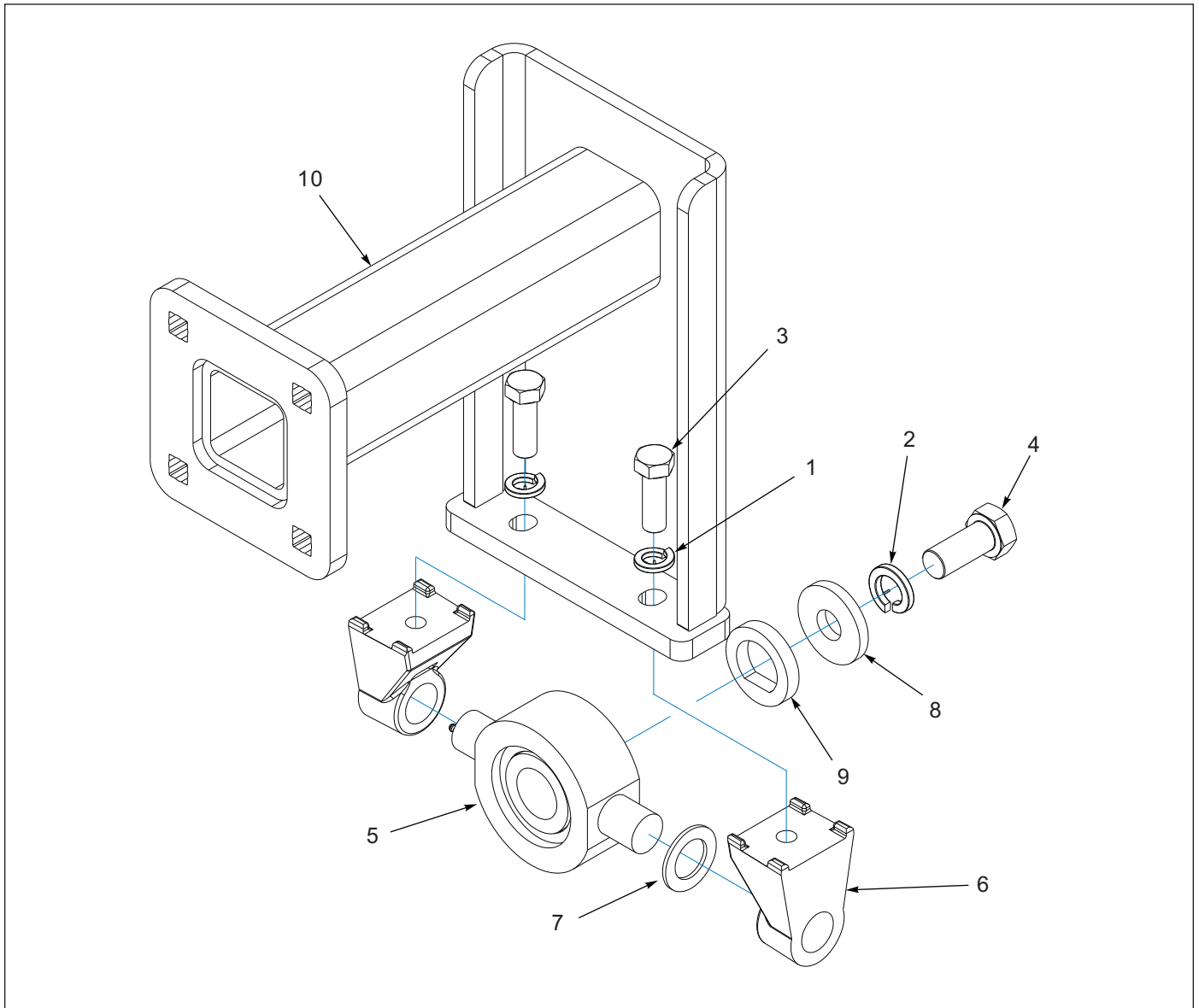


Figure 1-43: Spring Reel Extension Assemblies

Spring Reel Extension Assemblies

ITEM	PART NUMBER	DESCRIPTION	QTY.
	214684	EXTENSION, SPRING-REEL, ASSEM	--
	220818	EXTENSION, SPRING-REEL, ASSEM	--
1	1-861-010034-17	WASHER,LKG,HLCL SPR,3/4	2
2	1-861-010034-21	WASHER, LKG HEL SPRG 1IN	1
3	100941	SCREW,HEXCAP,3/4-10X2-1/4G8ZP	2
4	137943	SCREW,HEX CAP 1-8UNCX2-1/4GR5	1
5	140477	BEARING, DISC 1.775 ID ASSY	1
6	140479	MOUNT, TRUNNION	2
7	140480	WASHER, TRUNNION	1
8	154185	WASHER 3/8 THICK 1" ID	1
9	154186	WASHER FLAT TOP	1
10	214683	EXTENSION-SPRING REEL, WLDMT (USED ON 214684)	1
10	220819	EXTENSION, SPRING-REEL, WLDMNT (USED ON 220818)	1

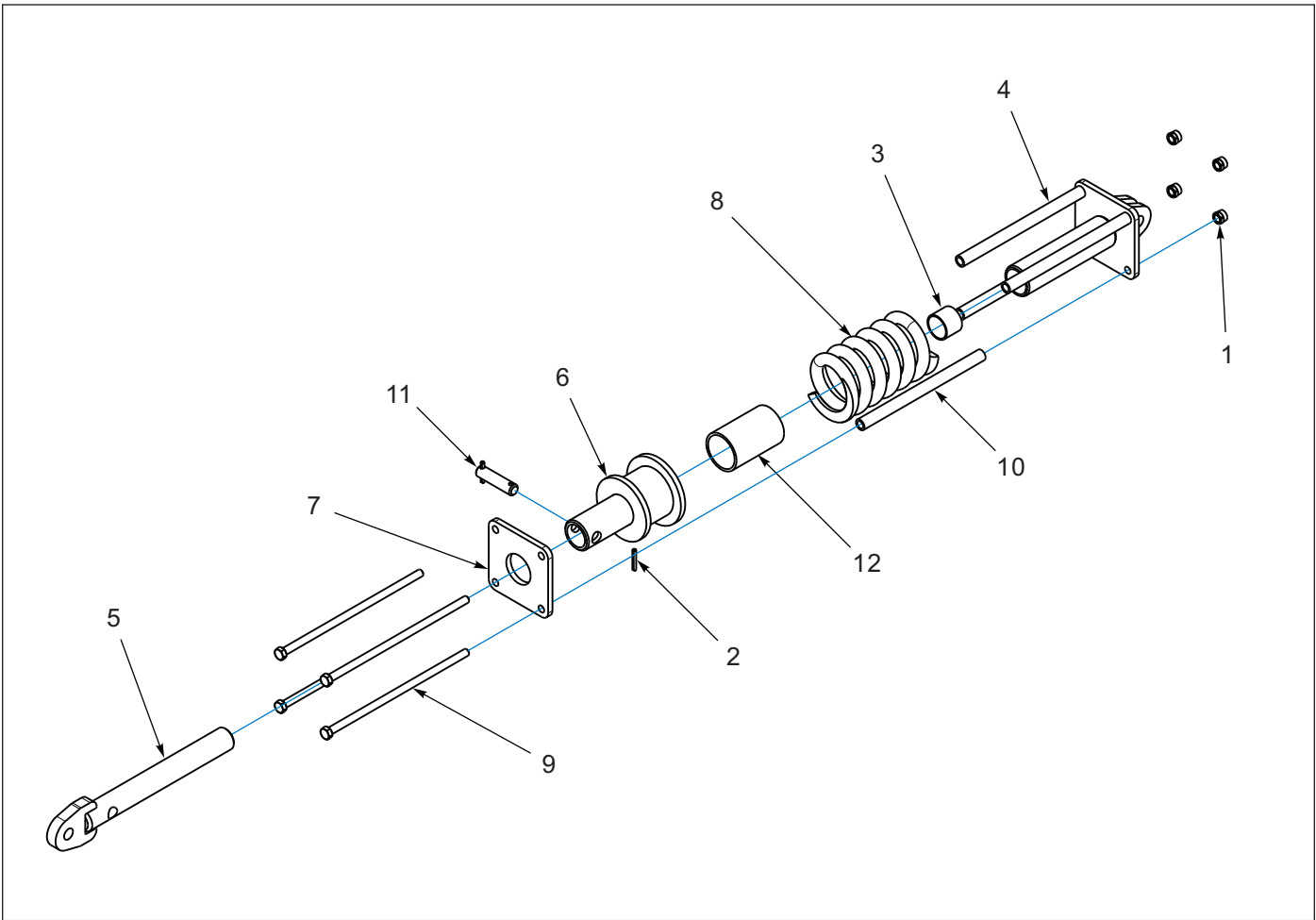


Figure 1-44: Link Spring Cylinder Assemblies

Link Spring Cylinder Assemblies

ITEM	PART NUMBER	DESCRIPTION	QTY.
	209183	LINK-SPRING, K2700 ASSY	--
	207577	LINK-SPRING, K3400 ASSY	--
	209184	LINK-SPRING, K4600 ASSY	--
1	1-512-010005-13	NUT,HEX SLFLKG GRB 5/8-11	4
2	147072	PIN, SPRING SLOTTED 5/16 X 2	2
3	197140	BUSHING POLYLUBE 2-1.4X2X1-3/4	1
4	207578	BASE-SPRING MOUNT, WLDMT	1
5	207580	ROD-SPRING, WLDMT	1
6	207585	TUBE-SPRING STOP WLDMT	1
7	207587	PLATE-SPRING STOP	1
8	209182	SPRING-COMPRESSION, K2700	1
8	209181	SPRING-COMPRESSION, K3400	1
8	209180	SPRING-COMPRESSION, K4600	1
9	217300	SCREW, HEX 5/8-11UNCX16,GR5	4
10	219435	TUBE, TIE ROD-SPACER 14 IN	4
11	8K047	PIN - 1 X 4 1/16	1
12	207590	BUSHING, 3-1/2 X 3 X 5-1/2,PVC	1

Chevron Reel Assemblies

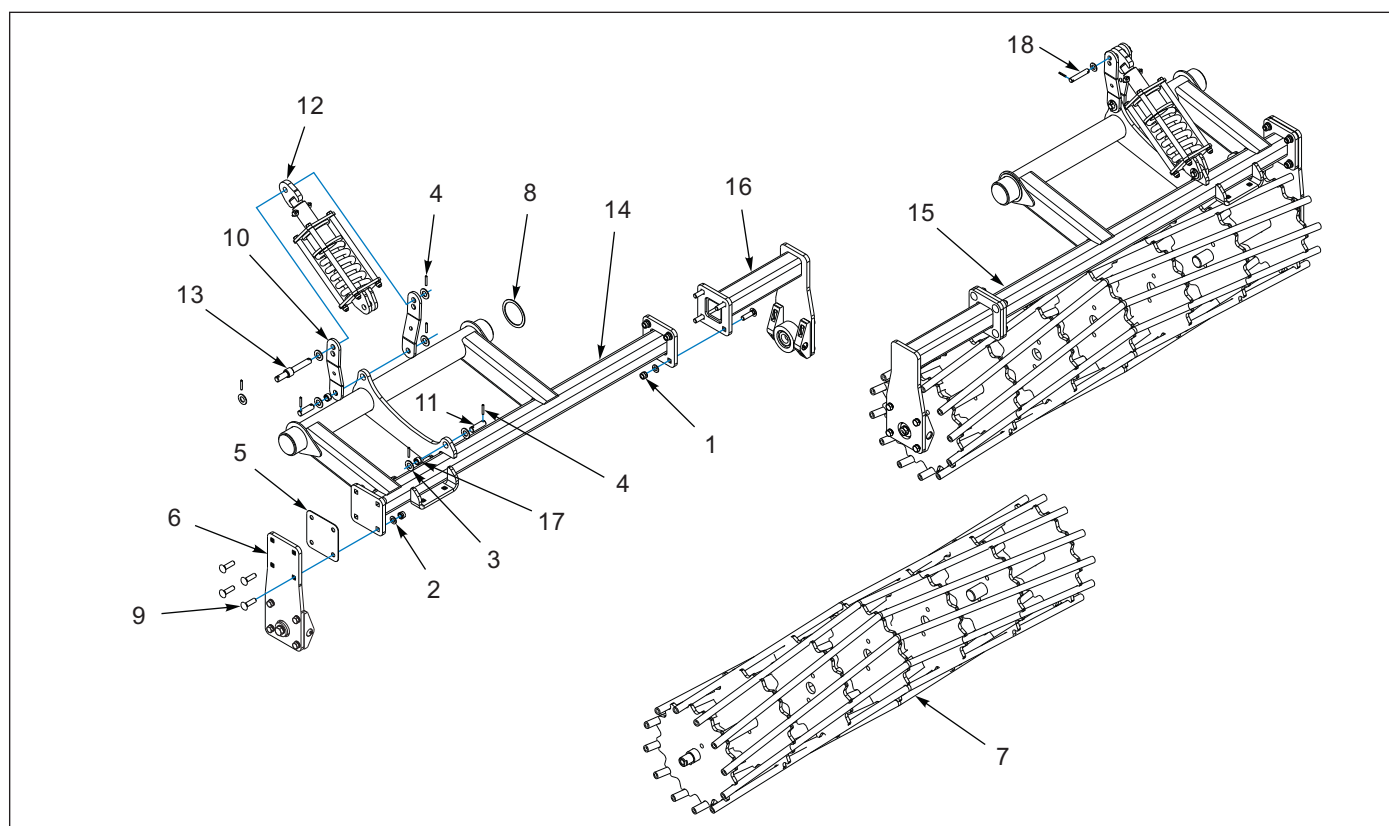


Figure 1-45: Single Reel Assembly - 15'

Single Reel Assembly - 15'

ITEM	PART NUMBER	DESCRIPTION	QTY.
	219901	REEL-CHEVRON, SINGLE, 8922-15	--
1	1-512-010005-15	NUT,HEX,SLFLKG GRB 3/4-10	16
2	1-861-010032-20	WASHER, FLAT, ZP/CD,3/4N	16
3	1-861-010032-24	WASHER FL 1IN NARROW ZP	13
4	147072	PIN, SPRING SLOTTED 5/16 X 2	12
5	187755	PLATE SHIM 11 GA	2
6	191752	PLATE-REEL MOUNT, ASSEMBLY (SEE PAGE 1-94)	2
7	192951	REEL, 21 X 94 INCH, WLDMT	2
8	195066	WASHER SHIM ROCKSHAFT	2
9	201250	SCREW,RD,HD,SQ NK,3/4-10X2-3/4	16
10	207537	LINK IDLER	4
11	209162	PIN, 1 X 3-1/4, H2	4
12	209183	LINK-SPRING, K2700 ASSY (SEE PAGE 1-74)	2
13	209196	PIN-REEL CONTROL	1
14	223313	ROCKSHAFT-LH REEL MOUNT WLDMT	1
15	223314	ROCKSHAFT-RH REEL MOUNT WLDMT	1
16	214682	EXTENSION-REEL MOUNT, ASSY (SEE PAGE 1-95)	2
17	3P079	SPRING BUSHING,1 X 1.25 X 0.75	4
18	5J758	TUBE	1

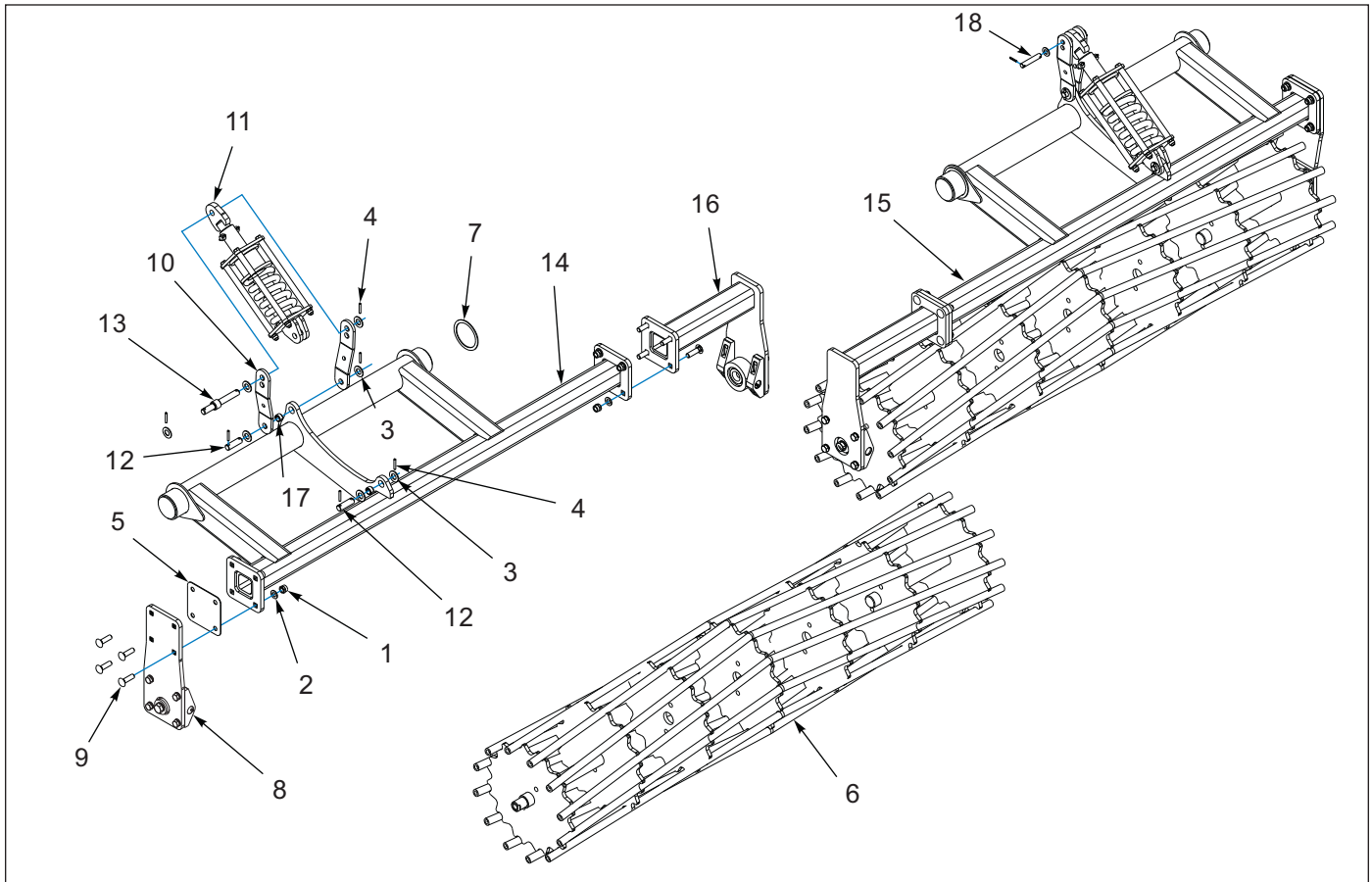


Figure 1-46: Single Reel Assembly - 17'

Single Reel Assembly - 17'

ITEM	PART NUMBER	DESCRIPTION	QTY.
	219905	REEL-CHEVRON, SINGLE, 8922-17	--
1	1-512-010005-15	NUT,HEX,SLFLKG GRB 3/4-10	16
2	1-861-010032-20	WASHER, FLAT,3/4 N ZP/CD	16
3	1-861-010032-24	WASHER FL 1IN NARROW ZP	13
4	147072	PIN, SPRING SLOTTED 5/16 X 2	12
5	187755	PLATE SHIM 11 GA	2
6	192949	REEL, 21 X 104 INCH, WLDMT	2
7	195066	WASHER SHIM ROCKSHAFT	2
8	198762	PLATE-OFFSET REEL MOUNT, ASSEM (SEE PAGE 1-94)	2
9	201250	SCREW,RD,HD,SQ NK,3/4-10X2-3/4	13
10	207537	LINK IDLER	4
11	207577	LINK-SPRING, K3400 ASSY (SEE PAGE 1-74)	2
12	209162	PIN, 1 X 3-1/4, H2	4
13	209196	PIN-REEL CONTROL	1
14	223311	ROCKSHAFT-LH REEL MOUNT WLDMT	1
15	223312	ROCKSHAFT-RH REEL MOUNT WLDMT	1
16	214682	EXTENSION-REEL MOUNT, ASSY (SEE PAGE 1-95)	2
17	3P079	SPRING BUSHING,1 X 1.25 X 0.75	4
18	5J758	TUBE	1

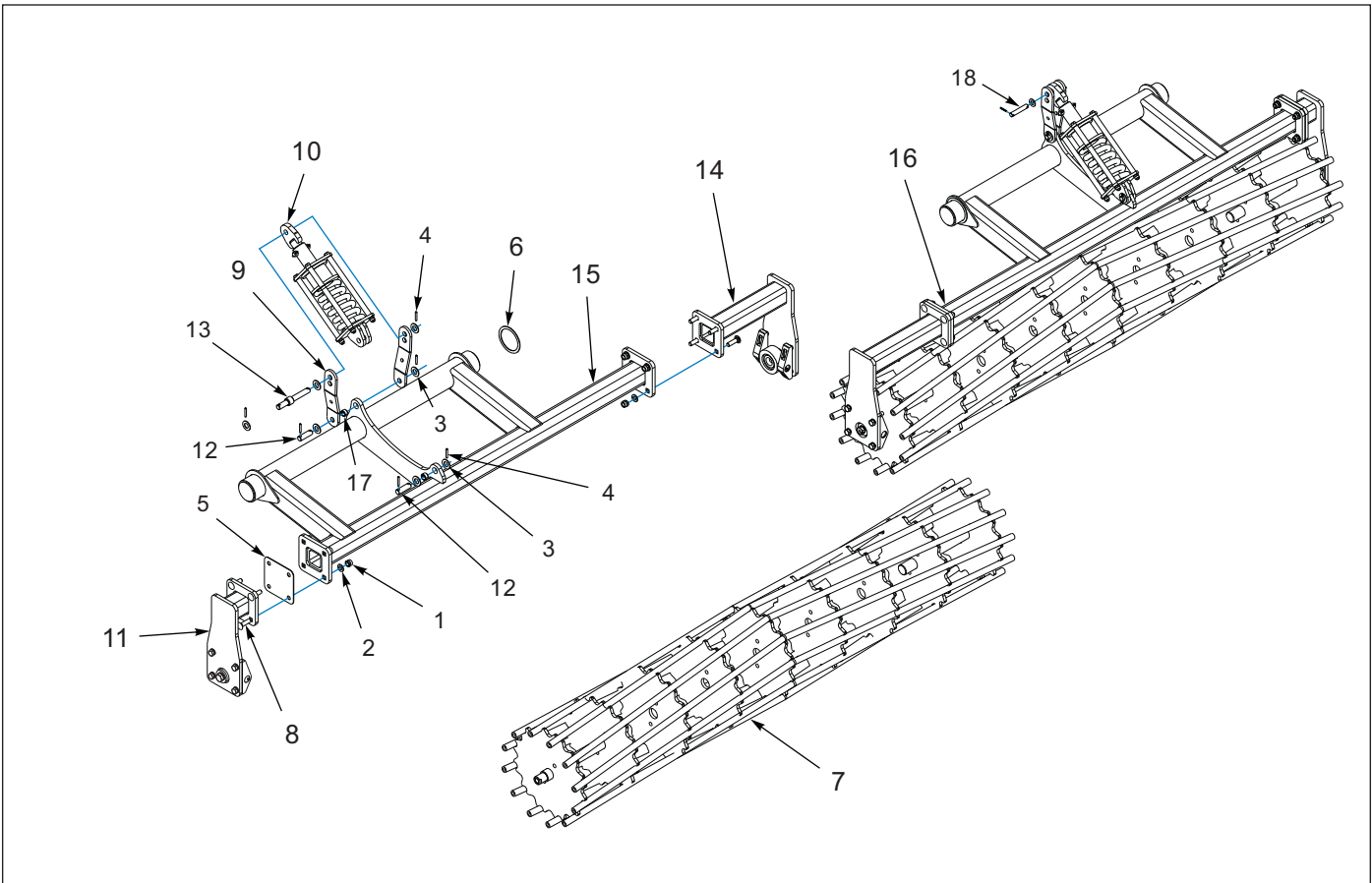


Figure 1-47: Single Reel Assembly - 20'

Single Reel Assembly - 20'

ITEM	PART NUMBER	DESCRIPTION	QTY.
	219909	REEL-CHEVRON, SINGLE, 8922-20	--
1	1-512-010005-15	NUT,HEX,SLFLKG GRB 3/4-10	16
2	1-861-010032-20	WASHER, FLAT,3/4 N ZP/CD	16
3	1-861-010032-24	WASHER FL 1IN NARROW ZP	13
4	147072	PIN, SPRING SLOTTED 5/16 X 2	12
5	187755	PLATE SHIM 11 GA	2
6	195066	WASHER SHIM ROCKSHAFT	2
7	198750	REEL, 21 X 124 INCH, WLDMT	2
8	201250	SCREW,RD,HD,SQ NK,3/4-10X2-3/4	16
9	207537	LINK IDLER	4
10	207577	LINK-SPRING, K3400 ASSY (SEE PAGE 1-74)	2
11	208647	EXTENSION-REEL MOUNT, ASSY (SEE PAGE 1-94)	2
12	209162	PIN, 1 X 3-1/4, H2	4
13	209196	PIN-REEL CONTROL	1
14	214682	EXTENSION-REEL MOUNT, ASSY (SEE PAGE 1-95)	2
15	223315	ROCKSHAFT-REEL,LH,78252,WLDMNT	1
16	223316	ROCKSHAFT-REEL,RH,7822, WLDMNT	1
17	3P079	SPRING BUSHING,1 X 1.25 X 0.75	4
18	5J758	TUBE	1

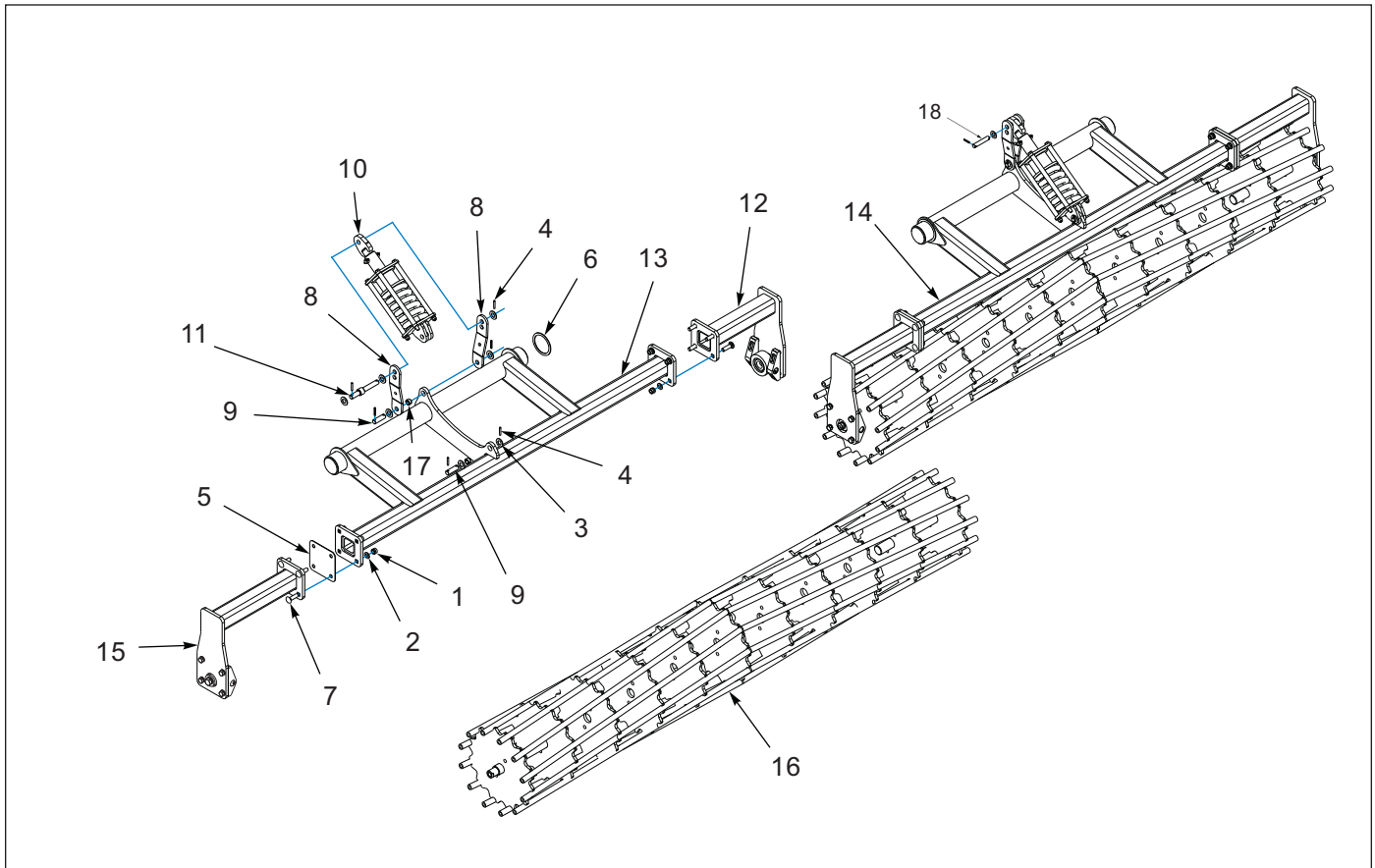


Figure 1-48: Single Reel Assembly - 23'

Single Reel Assembly - 23'

ITEM	PART NUMBER	DESCRIPTION	QTY.
	220809	REEL-CHEVRON,SINGLE, 7822-23	--
1	1-512-010005-15	NUT,HEX,SLFLKG GRB 3/4-10	16
2	1-861-010032-20	WASHER, FLAT,3/4 N ZP/CD	16
3	1-861-010032-24	WASHER FL 1IN NARROW ZP	13
4	147072	PIN, SPRING SLOTTED 5/16 X 2	12
5	187755	PLATE SHIM 11 GA	2
6	195066	WASHER SHIM ROCKSHAFT	2
7	201250	SCREW,RD,HD,SQ NK,3/4-10X2-3/4	16
8	207537	LINK IDLER	4
9	209162	PIN, 1 X 3-1/4, H2	4
10	209184	LINK-SPRING, K4600 ASSY (SEE PAGE 1-74)	2
11	209196	PIN-REEL CONTROL	1
12	214682	EXTENSION-REEL MOUNT, ASSY (SEE PAGE 1-95)	2
13	223315	ROCKSHAFT-REEL,LH,78252,WLDMNT	1
14	223316	ROCKSHAFT-REEL,RH,7822, WLDMNT	1
15	219544	EXTENSION-REEL MOUNT, ASM (SEE PAGE 1-94)	2
16	220813	REEL,21X144 INCH,WELDMENT	2
17	3P079	SPRING BUSHING,1 X 1.25 X 0.75	4
18	5J758	TUBE	1

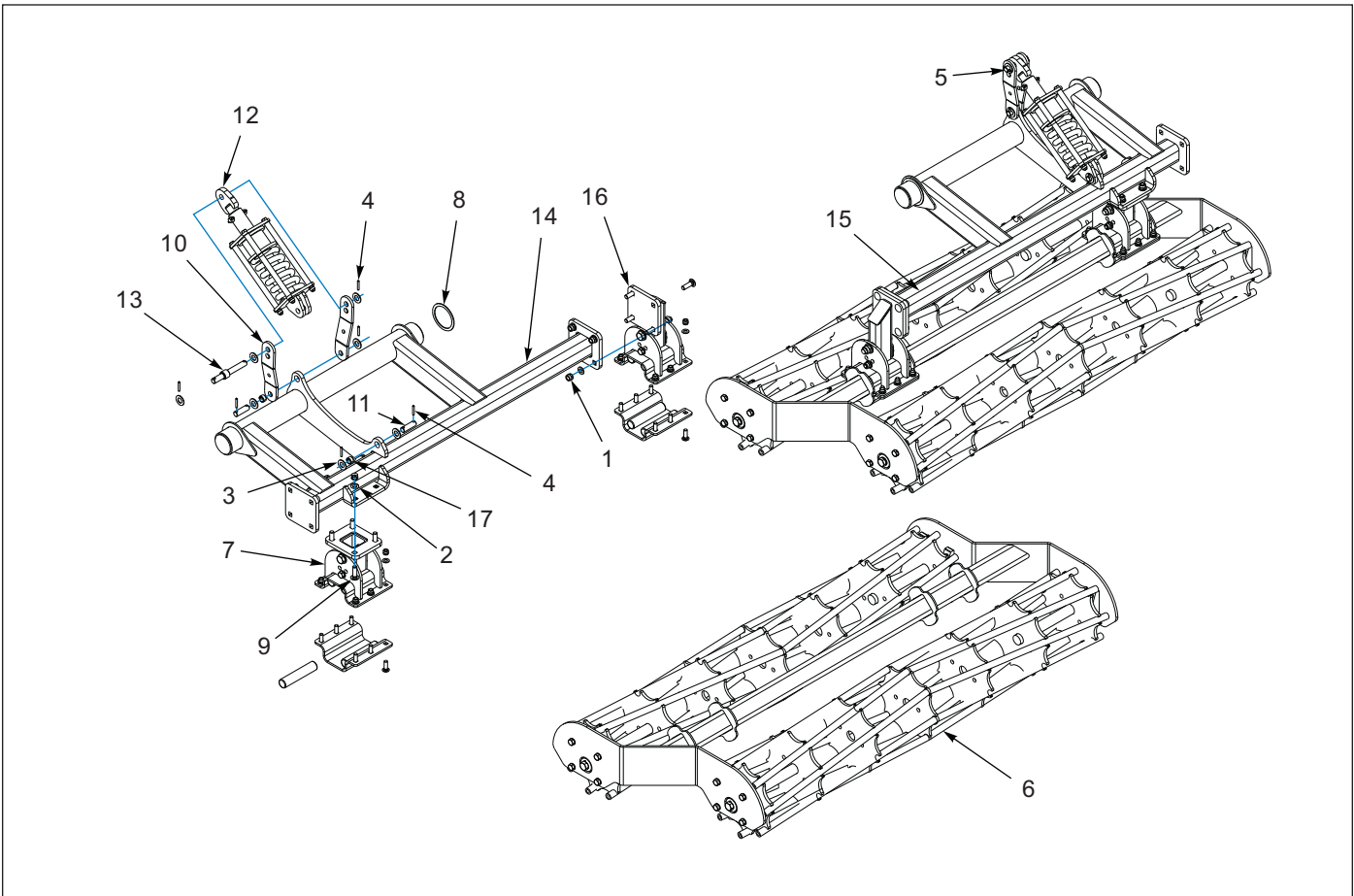


Figure 1-49: Double Reel Assembly - 15'

Double Reel Assembly - 15'

ITEM	PART NUMBER	DESCRIPTION	QTY.
	219902	REEL-CHEVRON,DBL,7822-15,ASM	--
1	1-512-010005-15	NUT,HEX,SLFLKG GRB 3/4-10	16
2	1-861-010032-20	WASHER, FLAT,3/4 N ZP/CD	16
3	1-861-010032-24	WASHER FL 1IN NARROW ZP	13
4	147072	PIN, SPRING SLOTTED 5/16 X 2	12
5	5J758	TUBE	1
6	199421	REEL ASSY DOUBLE 91"	2
7	207153	MOUNT ASSY REEL (SEE PAGE 1-83)	2
8	195066	WASHER SHIM ROCKSHAFT	2
9	3/4-10X2-1/2CB	SCREW, RDH, SQ NK, 3/4 - 10X2 - 1/2	16
10	207537	LINK IDLER	4
11	209162	PIN, 1 X 3-1/4, H2	4
12	209183	LINK-SPRING, K2700 ASSY (SEE PAGE 1-74)	2
13	209196	PIN-REEL CONTROL	1
14	223313	ROCKSHAFT-LH REEL MOUNT WLDMT	1
15	223314	ROCKSHAFT-RH REEL MOUNT WLDMT	1
16	207154	MOUNT ASSY REEL (SEE PAGE 1-84)	2
17	3P079	SPRING BUSHING,1 X 1.25 X 0.75	4

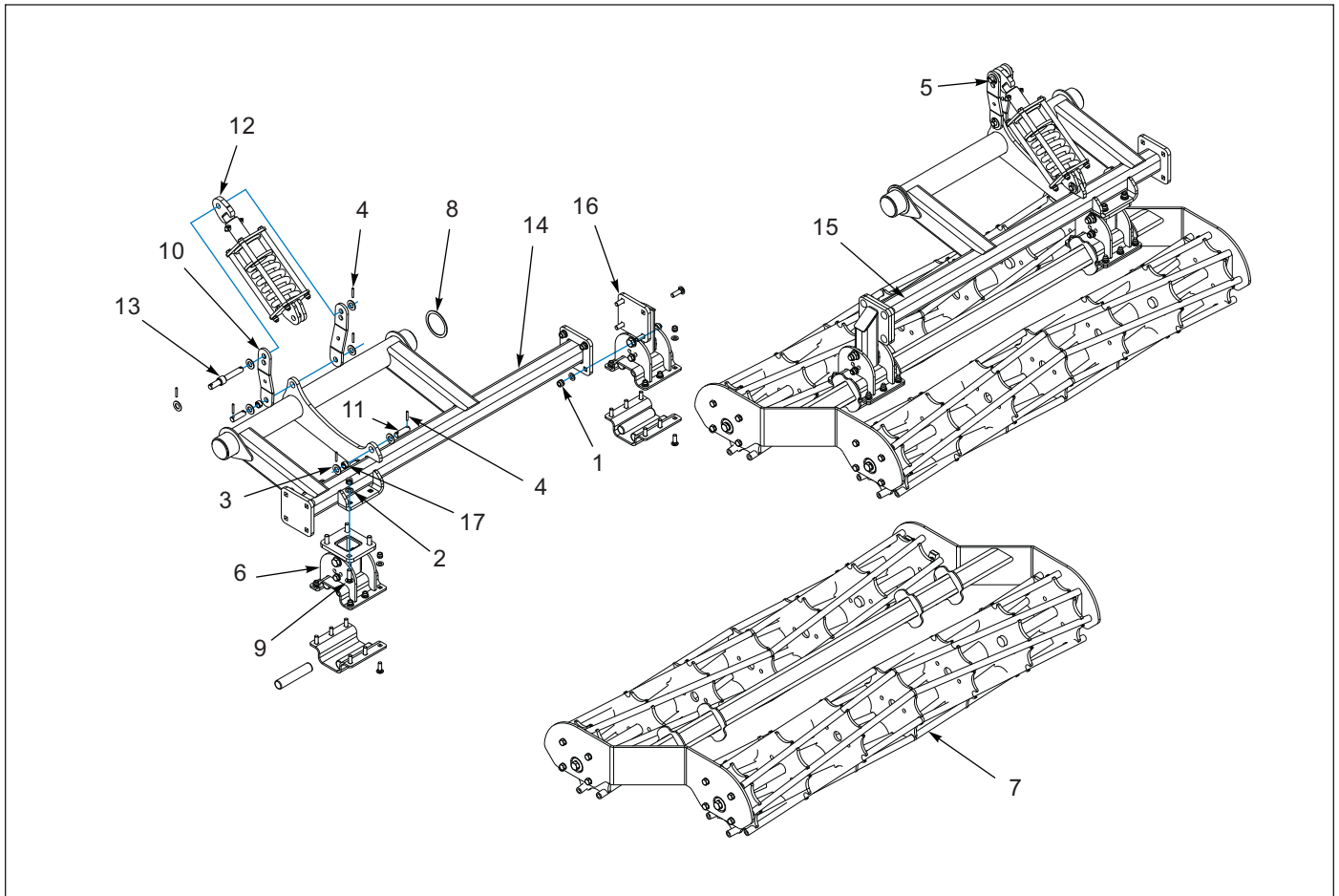


Figure 1-50: Double Reel Assembly - 17'

Double Reel Assembly - 17'

ITEM	PART NUMBER	DESCRIPTION	QTY.
	219906	REEL-CHEVRON,DBL,7822-17,ASM	--
1	1-512-010005-15	NUT,HEX,SLFLKG GRB 3/4-10	16
2	1-861-010032-20	WASHER, FLAT,3/4 N ZP/CD	16
3	1-861-010032-24	WASHER FL 1IN NARROW ZP	13
4	147072	PIN, SPRING SLOTTED 5/16 X 2	12
5	5J758	TUBE	1
6	207153	MOUNT ASSY REEL (SEE PAGE 1-83)	1
7	198772	REEL ASSY DOUBLE 101"	2
8	195066	WASHER SHIM ROCKSHAFT	2
9	3/4-10X2-1/2CB	SCREW, RDH, SQ NK, 3/4 - 10X2 - 1/2	16
10	207537	LINK IDLER	4
11	209162	PIN, 1 X 3-1/4, H2	4
12	207577	LINK-SPRING, K3400 ASSY (SEE PAGE 1-74)	2
13	209196	PIN-REEL CONTROL	1
14	223313	ROCKSHAFT-LH REEL MOUNT WLDMT	1
15	223314	ROCKSHAFT-RH REEL MOUNT WLDMT	1
16	207154	MOUNT ASSY REEL (SEE PAGE 1-84)	2
17	3P079	SPRING BUSHING,1 X 1.25 X 0.75	4

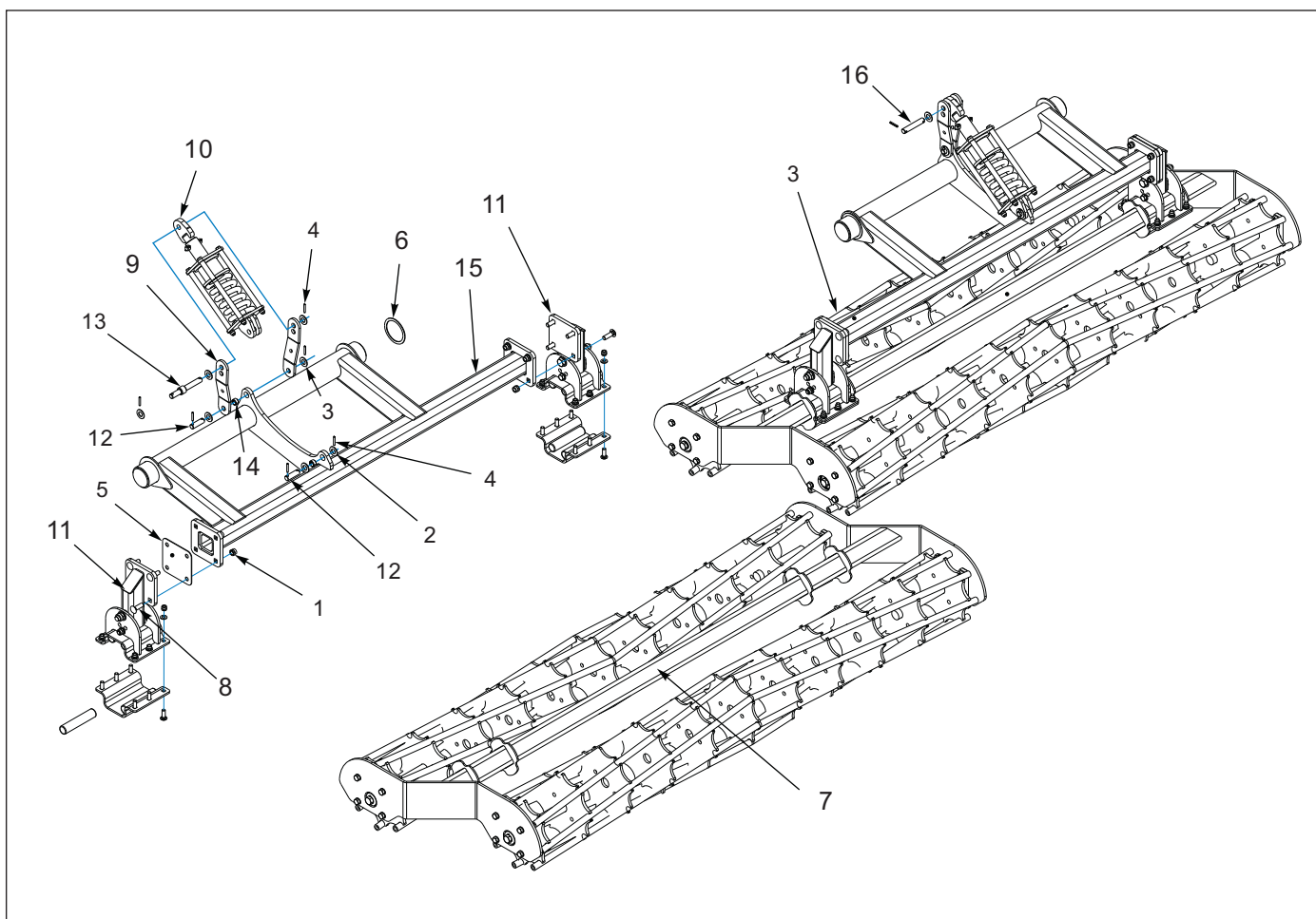


Figure 1-51: Double Reel Assembly - 20'

Double Reel Assembly - 20'

ITEM	PART NUMBER	DESCRIPTION	QTY.
	219910	REEL-CHEVRON,DBL,7822-20,ASM	--
1	1-512-010005-15	NUT,HEX,SLFLKG GRB 3/4-10	16
2	1-861-010032-24	WASHER FL 1IN NARROW ZP	13
3	223312	ROCKSHAFT-RH REEL MOUNT WLDMT	1
4	147072	PIN, SPRING SLOTTED 5/16 X 2	12
5	187755	PLATE SHIM 11 GA	2
6	195066	WASHER SHIM ROCKSHAFT	2
7	198741	REEL-DOUBLE, 118 INCH, ASSEM	2
8	3/4-10X2-1/2CB	SCREW, RDH, SQ NK, 3/4 - 10X2 - 1/2	16
9	207537	LINK IDLER	2
10	207577	LINK-SPRING, K3400 ASSY (SEE PAGE 1-74)	2
11	207154	MOUNT ASSY REEL (SEE PAGE 1-83)	2
12	209162	PIN, 1 X 3-1/4, H2	1
13	209196	PIN-REEL CONTROL	1
14	3P079	SPRING BUSHING,1 X 1.25 X 0.75	4
15	223311	ROCKSHAFT-LH REEL MOUNT WLDMT	1
16	5J758	TUBE	1

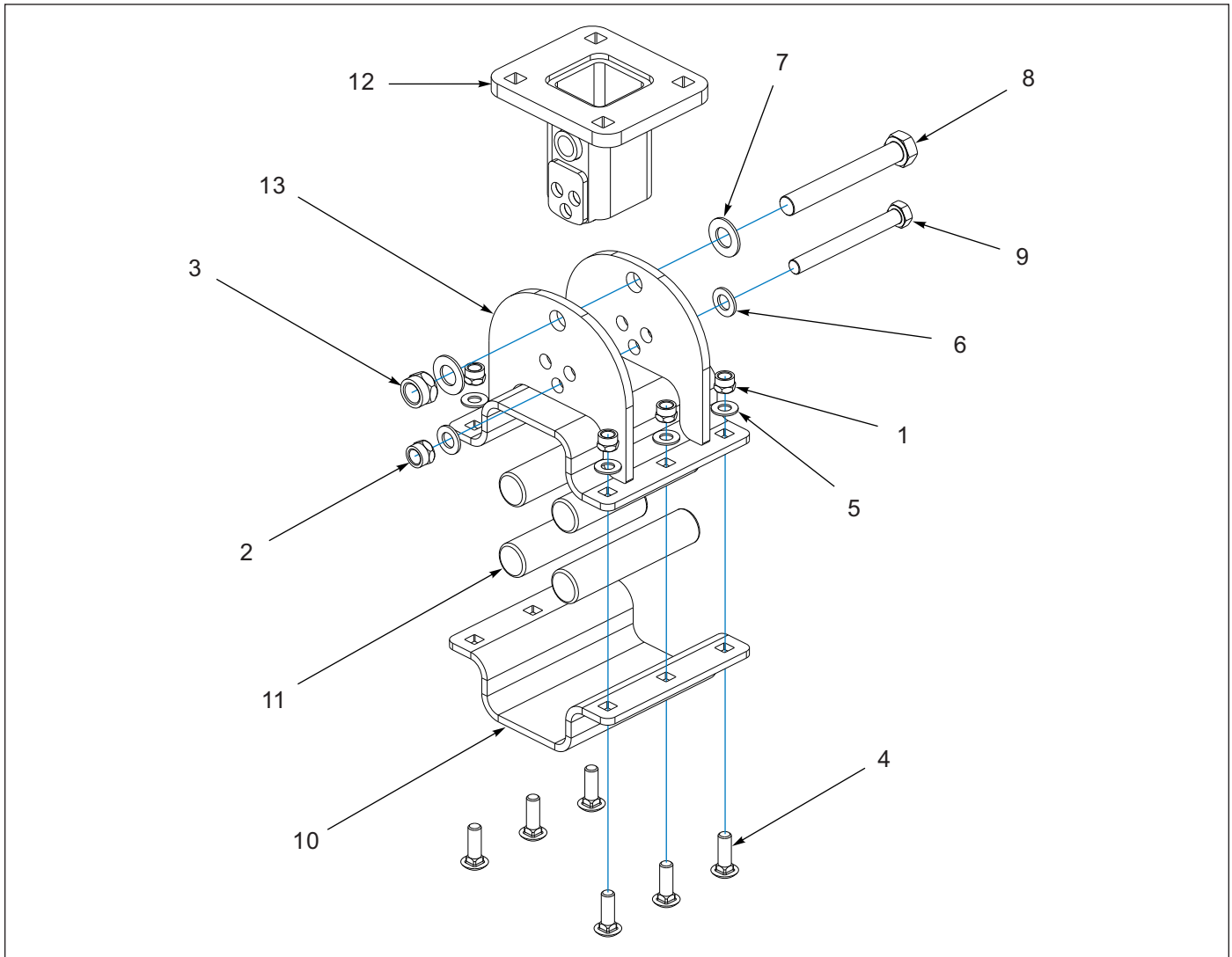


Figure 1-52: Double Reel Bottom Mount Assembly

Double Reel Bottom Mount Assembly

ITEM	PART NUMBER	DESCRIPTION	QTY.
	207153	MOUNT ASSY REEL	--
1	1-512-010005-13	NUT,HEX SLFLKG GRB 5/8-11	6
2	1-512-010005-15	NUT,HEX,SLFLKG GRB 3/4-10	1
3	1-512-010005-19	NUT 1-8 HEX SLF-LOCKING GRB	1
4	1-654-010126-05	SCREW,RD HD,SQNCK,5/8-11X2 G5	6
5	1-861-010032-18	WASHER, FLAT 5/8 N ZP/CD	6
6	1-861-010032-20	WASHER, FLAT,3/4 N ZP/CD	2
7	1-861-010032-24	WASHER FL 1IN NARROW ZP	2
8	100856	SCREW,HHCS,1-8X7-1/2 GR5	1
9	102209	SCREW HXCP 3/4-10X7 GR8	1
10	176904	CAP-GAUGE MOUNT	1
11	203525	SPRING-TORSION, RUBBER, 1-3/4	4
12	207145	MOUNT WLDMT REEL	1
13	207151	MOUNT WLDMT DOUBLE REEL	1

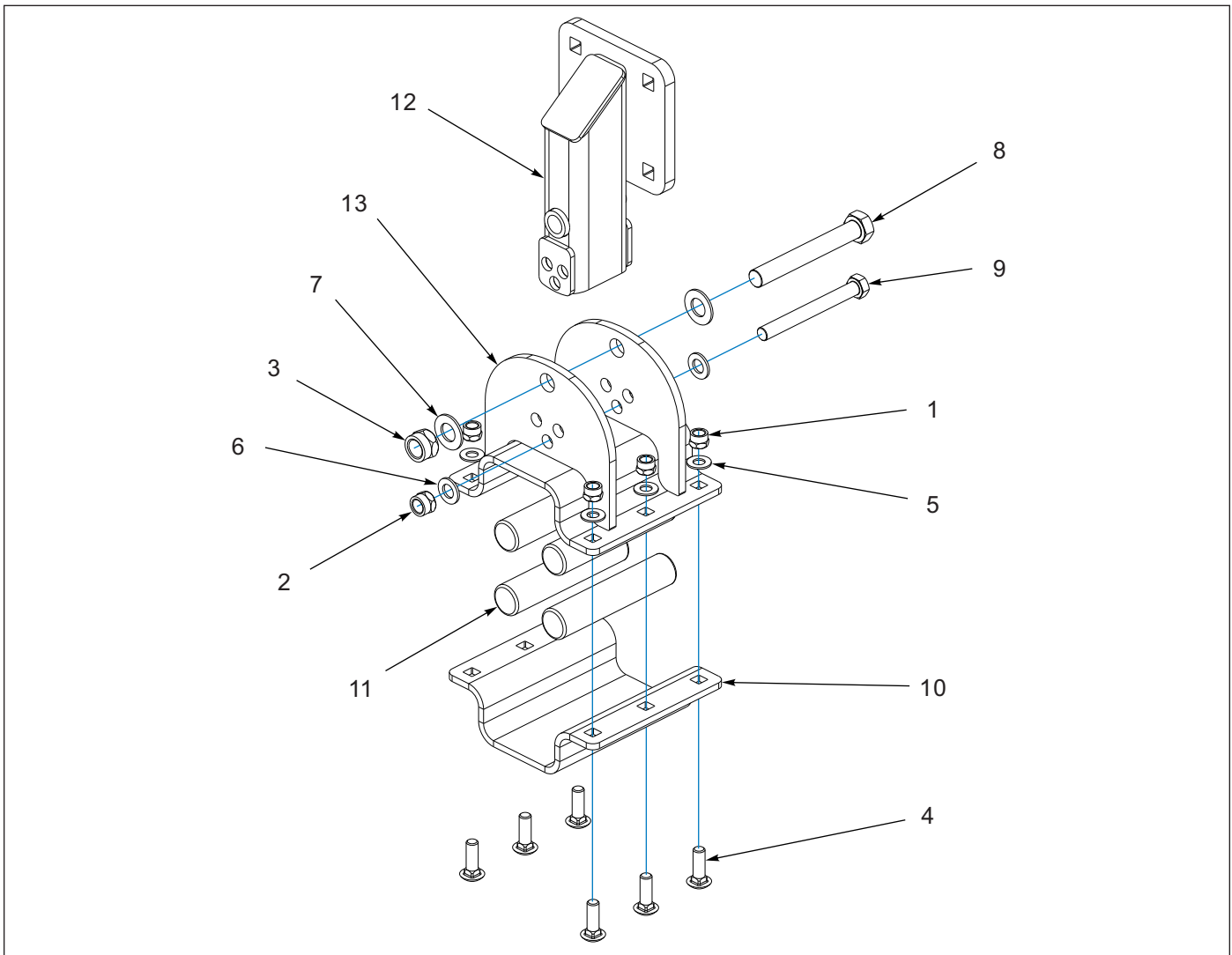


Figure 1-53: Double Reel Side Mount Assembly

Double Reel Side Mount Assembly

ITEM	PART NUMBER	DESCRIPTION	QTY.
	207154	MOUNT ASSY REEL	--
1	1-512-010005-13	NUT,HEX SLFLKG GRB 5/8-11	6
2	1-512-010005-15	NUT,HEX,SLFLKG GRB 3/4-10	1
3	1-512-010005-19	NUT 1-8 HEX SLF-LOCKING GRB	1
4	1-654-010126-05	SCREW,RD HD,SQNCK,5/8-11X2 G5	6
5	1-861-010032-18	WASHER, FLAT 5/8 N ZP/CD	6
6	1-861-010032-20	WASHER, FLAT,3/4 N ZP/CD	2
7	1-861-010032-24	WASHER FL 1IN NARROW ZP	2
8	100856	SCREW,HHCS,1-8X7-1/2 GR5	1
9	102209	SCREW HXCP 3/4-10X7 GR8	1
10	176904	CAP-GAUGE MOUNT	1
11	203525	SPRING-TORSION, RUBBER, 1-3/4	4
12	207147	MOUNT WLDMT REEL	1
13	207151	MOUNT WLDMT DOUBLE REEL	1

Rubber Roller Assemblies

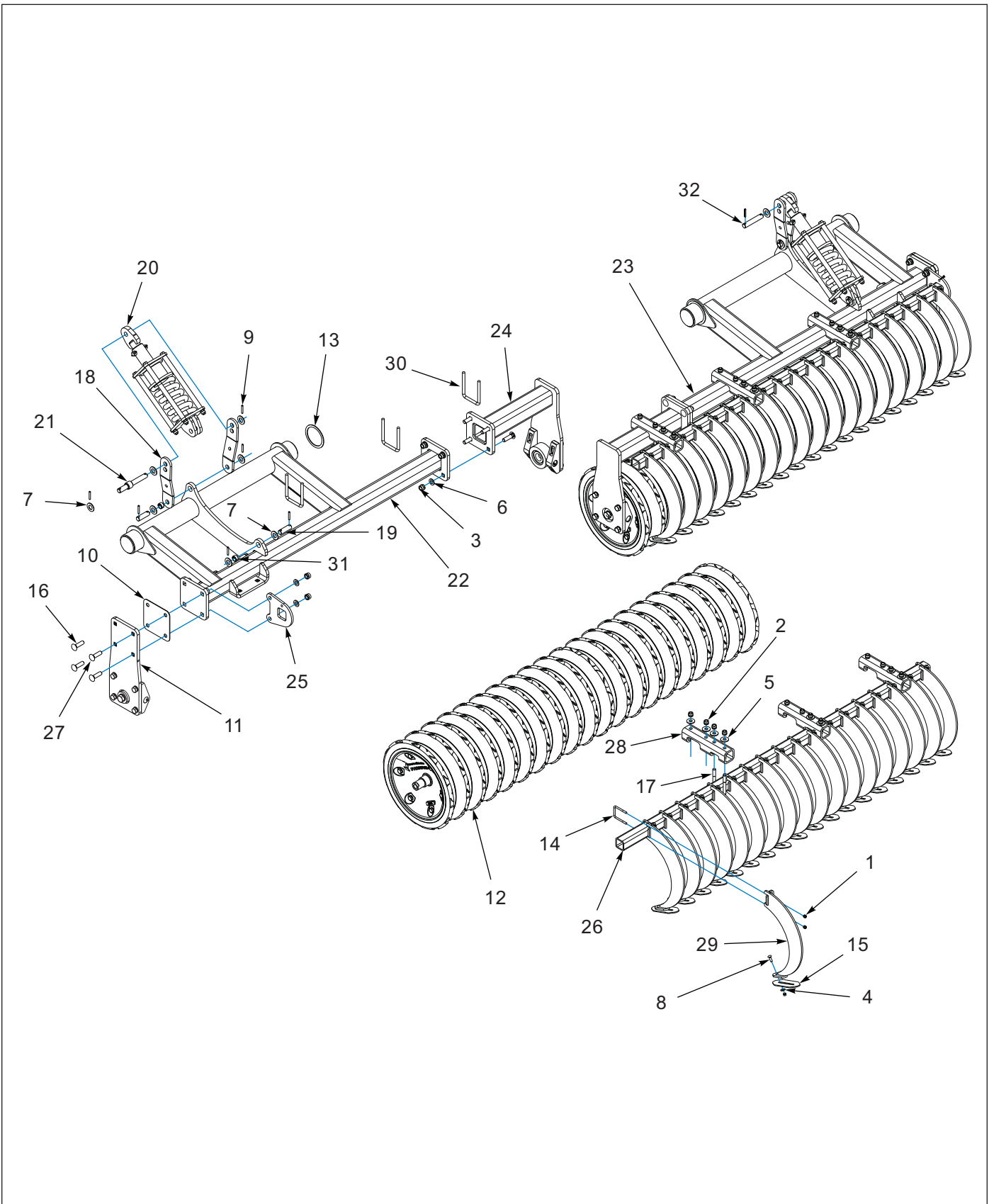


Figure 1-54: Rubber Roller Assembly - 15'

Rubber Roller Assembly - 15'

ITEM	PART NUMBER	DESCRIPTION	QTY.
	219914	ROLLER-RUBBER, 7822-15, ASM	--
1	1-512-010002-05	NUT, HEX SLFLKG GRC 3/8-16	114
2	1-512-010005-13	NUT,HEX SLFLKG GRB 5/8-11	24
3	1-512-010005-15	NUT,HEX,SLFLKG GRB 3/4-10	16
4	1-861-010032-11	WASHER, FLAT 3/8 W ZP/CD	38
5	1-861-010032-18	WASHER, FLAT 5/8 W ZP/CD	24
6	1-861-010032-20	WASHER, FLAT,3/4 N ZP/CD	16
7	1-861-010032-24	WASHER FL 1IN NARROW ZP	12
8	101864	SCREW,RD HD 3/8-16X1-1/4 GR5	38
9	147072	PIN, SPRING SLOTTED 5/16 X 2	12
10	187755	PLATE SHIM 11 GA	2
11	191752	PLATE-REEL MOUNT, ASSEMBLY (SEE PAGE 1-94)	2
12	192584	ROLLER RUBBER LCTX 2405 OTICO (SEE PAGE 1-96)	2
13	195066	WASHER SHIM ROCKSHAFT	2
14	199436	U-BOLT, 3/8-16X2-7/8X3-1/2,ZP	38
15	199437	PLATE-SCRAPER	38
16	201250	SCREW,RD,HD,SQ NK,3/4-10X2-3/4	12
17	201274	U-BOLT, 5/8-11 X 3-3/16X5-3/16	6
18	207537	LINK IDLER	4
19	209162	PIN, 1 X 3-1/4, H2	4
20	209183	LINK-SPRING, K2700 ASSY (SEE PAGE 1-74)	2
21	209196	PIN-REEL CONTROL	1
22	223313	ROCKSHAFT-LH REEL MOUNT WLDMT	1
23	223314	ROCKSHAFT-RH REEL MOUNT WLDMT	1
24	214682	EXTENSION-REEL MOUNT, ASSY (SEE PAGE 1-95)	2
25	214688	PLATE, SCRAPER TUBE MOUNT	2
26	214689	TUBE, SQ 2-1/2 X 1/4 X 94	2
27	215690	FRAME ASSY 950E-35HDSTDBBGALV	4
28	217966	TUBE-SCRAPER MOUNT	6
29	217967	MOUNT-SCRAPER, WLDMT	38
30	3P011	U-BOLT, 5/8-11X4-11/16X6,ZP	6
31	3P079	SPRING BUSHING,1 X 1.25 X 0.75	4
32	5J758	TUBE	1

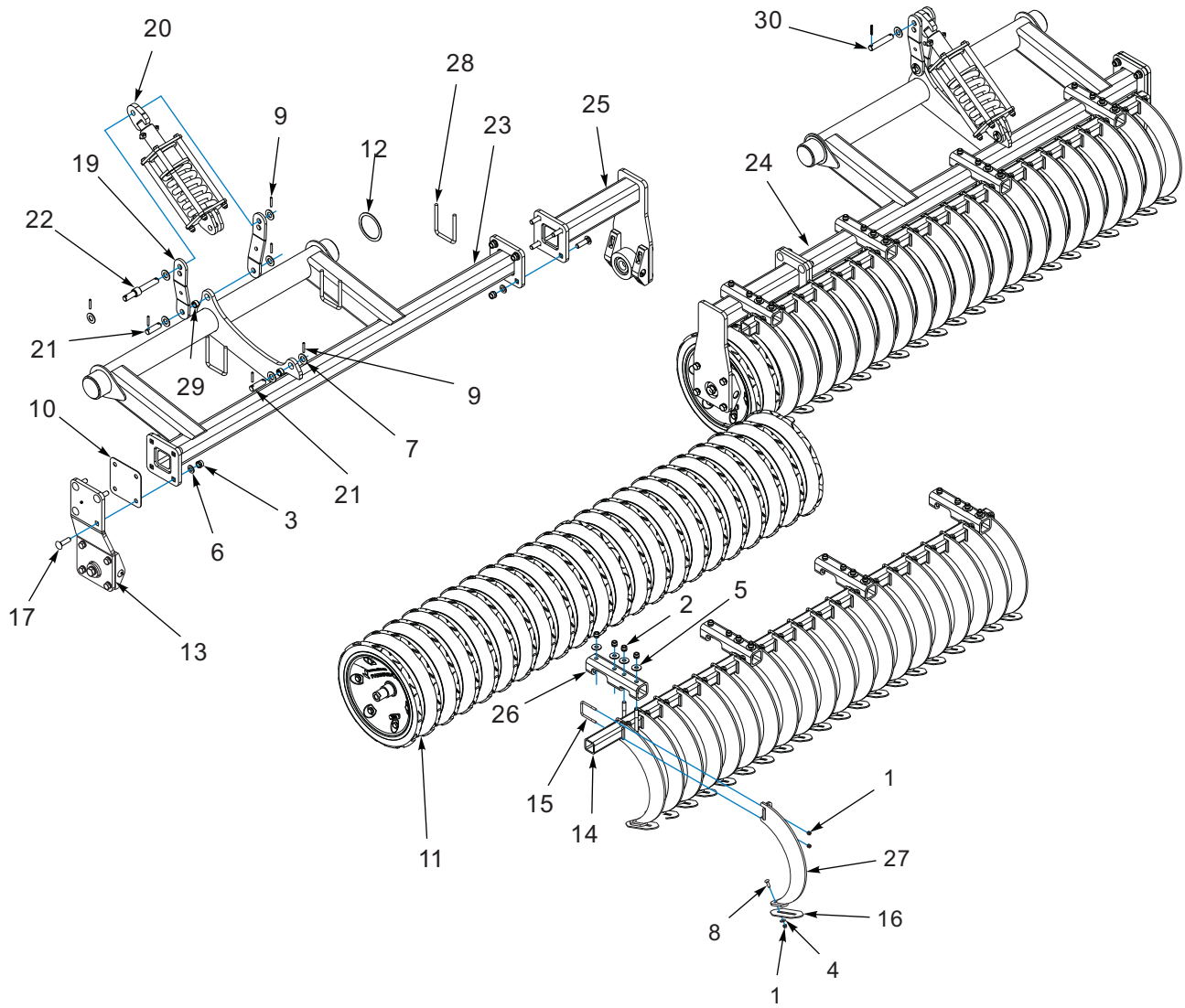


Figure 1-55: Rubber Roller Assembly - 17'

Rubber Roller Assembly - 17'

ITEM	PART NUMBER	DESCRIPTION	QTY.
	219915	ROLLER-RUBBER, 7822-17	--
1	1-512-010002-05	NUT, HEX SLFLKG GRC 3/8-16	162
2	1-512-010005-13	NUT,HEX SLFLKG GRB 5/8-11	32
3	1-512-010005-15	NUT,HEX,SLFLKG GRB 3/4-10	16
4	1-861-010032-11	WASHER, FLAT 3/8 W ZP/CD	42
5	1-861-010032-18	WASHER, FLAT 5/8 W ZP/CD	32
6	1-861-010032-20	WASHER, FLAT,3/4 N ZP/CD	16
7	1-861-010032-24	WASHER FL 1IN NARROW ZP	12
8	101864	SCREW,RD HD 3/8-16X1-1/4 GR5	42
9	147072	PIN, SPRING SLOTTED 5/16 X 2	12
10	187755	PLATE SHIM 11 GA	2
11	192585	ROLLER RUBBER LCTX 2655 OTICO (SEE PAGE 1-96)	2
12	195066	WASHER SHIM ROCKSHAFT	2
13	198762	PLATE-OFFSET REEL MOUNT, ASSEM (SEE PAGE 1-94)	2
14	199434	TUBE SQ 2-1/2 X 1/4X 103-3/16	2
15	199436	U-BOLT, 3/8-16X2-7/8X3-1/2,ZP	42
16	199437	PLATE-SCRAPER	42
17	201250	SCREW,RD,HD,SQ NK,3/4-10X2-3/4	16
18	201274	U-BOLT, 5/8-11 X 3-3/16X5-3/16 (NOT SHOWN)	8
19	207537	LINK IDLER	4
20	207577	LINK-SPRING, K3400 ASSY (SEE PAGE 1-74)	2
21	209162	PIN, 1 X 3-1/4, H2	4
22	209196	PIN-REEL CONTROL	1
23	223311	ROCKSHAFT-LH REEL MOUNT WLDMT	1
24	223312	ROCKSHAFT-RH REEL MOUNT WLDMT	1
25	214682	EXTENSION-REEL MOUNT, ASSEM (SEE PAGE 1-95)	2
26	217966	TUBE-SCRAPER MOUNT	8
27	217967	MOUNT-SCRAPER, WLDMT	42
28	3P011	U-BOLT, 5/8-11X4-11/16X6,ZP	8
29	3P079	SPRING BUSHING,1 X 1.25 X 0.75	4
30	5J758	TUBE	1

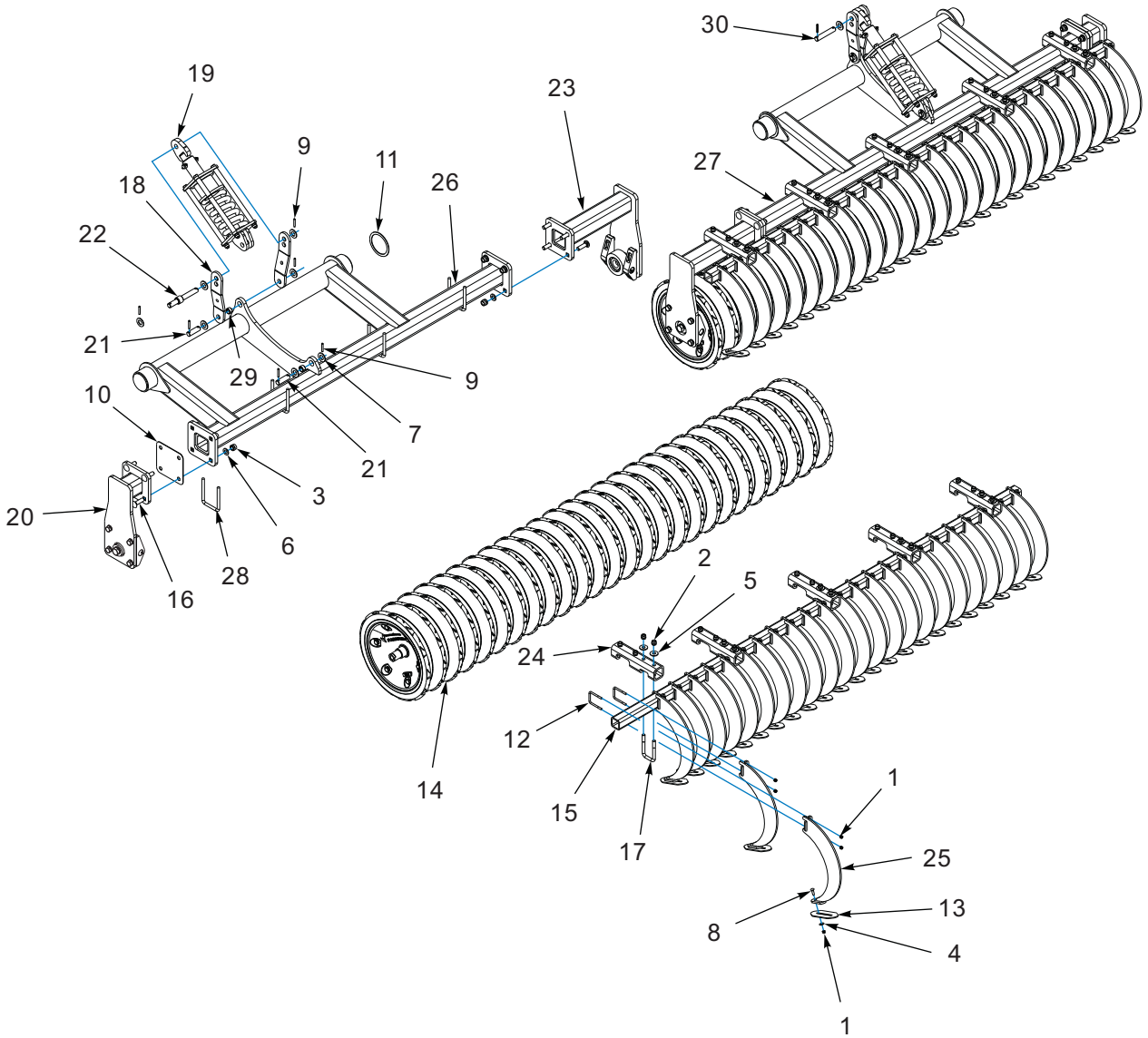


Figure 1-56: Rubber Roller Assembly - 20'

Rubber Roller Assembly - 20'

ITEM	PART NUMBER	DESCRIPTION	QTY.
	219916	ROLLER-RUBBER, 7822-20, ASM	--
1	1-512-010002-05	NUT, HEX SLFLKG GRC 3/8-16	150
2	1-512-010005-13	NUT,HEX SLFLKG GRB 5/8-11	40
3	1-512-010005-15	NUT,HEX,SLFLKG GRB 3/4-10	16
4	1-861-010032-11	WASHER, FLAT 3/8 W ZP/CD	50
5	1-861-010032-18	WASHER, FLAT 5/8 W ZP/CD	40
6	1-861-010032-20	WASHER, FLAT,3/4 N ZP/CD	16
7	1-861-010032-24	WASHER FL 1IN NARROW ZP	12
8	101864	SCREW,RD HD 3/8-16X1-1/4 GR5	50
9	147072	PIN, SPRING SLOTTED 5/16 X 2	12
10	187755	PLATE SHIM 11 GA	2
11	195066	WASHER SHIM ROCKSHAFT	2
12	199436	U-BOLT, 3/8-16X2-7/8X3-1/2,ZP	50
13	199437	PLATE-SCRAPER	50
14	200819	ROLLER RUBBER LCTX 3155 OTICO (SEE PAGE 1-96)	2
15	200823	TUBE SQ 2-1/2 X 1/4 X 123	2
16	201250	SCREW,RD,HD,SQ NK,3/4-10X2-3/4	16
17	201274	U-BOLT, 5/8-11 X 3-3/16X5-3/16	10
18	207537	LINK IDLER	4
19	207577	LINK-SPRING, K3400 ASSY (SEE PAGE 1-74)	2
20	208647	EXTENSION-REEL MOUNT, ASSY (SEE PAGE 1-94)	2
21	209162	PIN, 1 X 3-1/4, H2	4
22	209196	PIN-REEL CONTROL	1
23	214682	EXTENSION-REEL MOUNT, ASSY (SEE PAGE 1-95)	2
24	217966	TUBE-SCRAPER MOUNT	10
25	217967	MOUNT-SCRAPER, WLDMT	50
26	223315	ROCKSHAFT-REEL,LH,78252,WLDMNT	1
27	223316	ROCKSHAFT-REEL,RH,7822, WLDMNT	1
28	3P011	U-BOLT, 5/8-11X4-11/16X6,ZP	10
29	3P079	SPRING BUSHING,1 X 1.25 X 0.75	4
30	5J758	TUBE	1

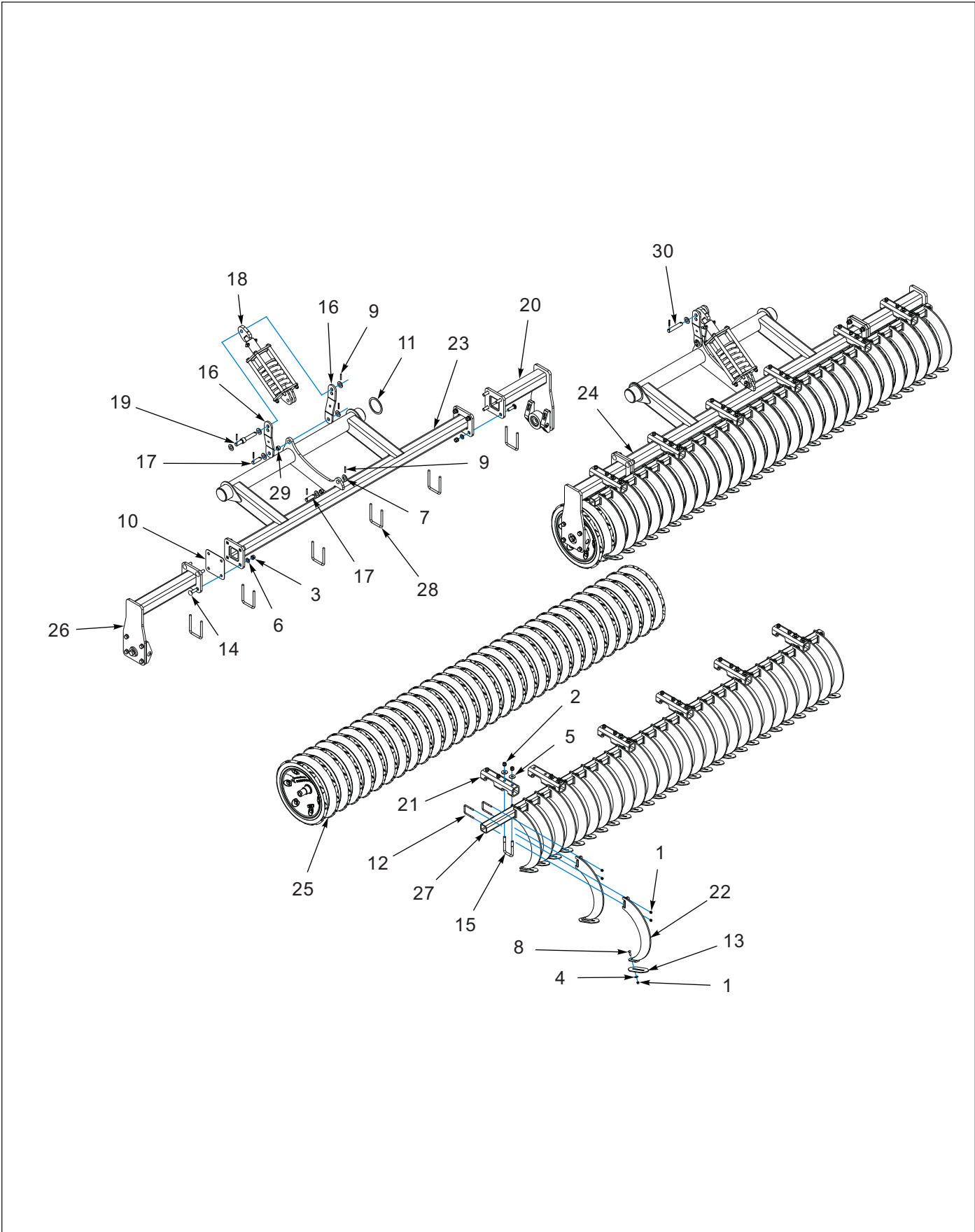


Figure 1-57: Rubber Roller Assembly - 23'

Rubber Roller Assembly - 23'

ITEM	PART NUMBER	DESCRIPTION	QTY.
	219540	ROLLER-RUBBER, 7822-23, ASM	--
1	1-512-010002-05	NUT, HEX SLFLKG GRC 3/8-16	174
2	1-512-010005-13	NUT,HEX SLFLKG GRB 5/8-11	48
3	1-512-010005-15	NUT,HEX,SLFLKG GRB 3/4-10	16
4	1-861-010032-11	WASHER, FLAT 3/8 W ZP/CD	58
5	1-861-010032-18	WASHER, FLAT 5/8 W ZP/CD	48
6	1-861-010032-20	WASHER, FLAT,3/4 N ZP/CD	16
7	1-861-010032-24	WASHER FL 1IN NARROW ZP	12
8	101864	SCREW,RD HD 3/8-16X1-1/4 GR5	58
9	147072	PIN, SPRING SLOTTED 5/16 X 2	12
10	187755	PLATE SHIM 11 GA	2
11	195066	WASHER SHIM ROCKSHAFT	2
12	199436	U-BOLT, 3/8-16X2-7/8X3-1/2,ZP	58
13	199437	PLATE-SCRAPER	58
14	201250	SCREW,RD,HD,SQ NK,3/4-10X2-3/4	16
15	201274	U-BOLT, 5/8-11 X 3-3/16X5-3/16	12
16	207537	LINK IDLER	4
17	209162	PIN, 1 X 3-1/4, H2	4
18	209184	LINK-SPRING, K4600 ASSY (SEE PAGE 1-74)	2
19	209196	PIN-REEL CONTROL	1
20	214682	EXTENSION-REEL MOUNT, ASSY (SEE PAGE 1-95)	2
21	217966	TUBE-SCRAPER MOUNT	12
22	217967	MOUNT-SCRAPER, WLDMT	58
23	223315	ROCKSHAFT-REEL,LH,78252,WLDMNT	1
24	223316	ROCKSHAFT-REEL,RH,7822, WLDMNT	1
25	219541	ROLLER-RUBBER, LCTX. 3408, OTICO (SEE PAGE 1-96)	2
26	219544	EXTENSION-REEL MOUNT, ASM (SEE PAGE 1-94)	2
27	219546	TUBE, SQ 2 1/2X1/4X142 5/8	2
28	3P011	U-BOLT, 5/8-11X4-11/16X6,ZP	12
29	3P079	SPRING BUSHING,1 X 1.25 X 0.75	4
30	5J758	TUBE	1

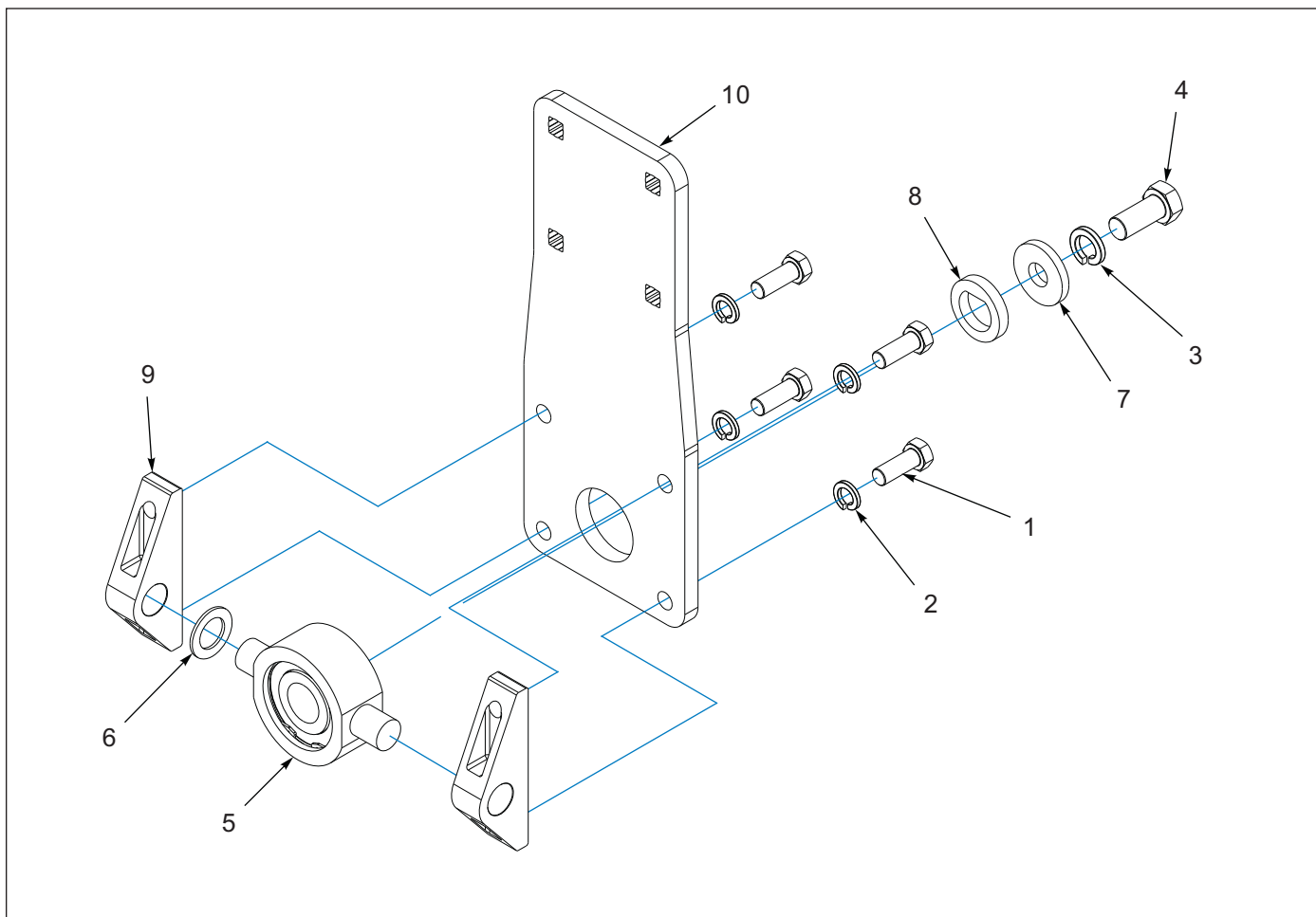


Figure 1-58: Reel Mount Plate Assembly

Reel Mount Plate Assembly

ITEM	PART NUMBER	DESCRIPTION	QTY.
	191752	PLATE-REEL MOUNT, ASSEMBLY	--
	198762	PLATE-OFFSET REEL MOUNT, ASSEM	--
	208648	EXTENSION-REEL MOUNT, WLDMT	--
	219544	EXTENSION-REEL MOUNT, ASM	--
1	1-654-010061-05	SCREW,HHC,3/4-10UNCX2,GR5,ZP	4
2	1-861-010034-17	WASHER,LKG,HLCL SPR,3/4	4
3	1-861-010034-21	WASHER, LKG HEL SPRG 1IN	1
4	137943	SCREW,HEX CAP 1-8UNCX2-1/4GR5	1
5	140477	BEARING, DISC 1.775 ID ASSY	1
6	140480	WASHER, TRUNNION	1
7	154185	WASHER 3/8 THICK 1" ID	1
8	154186	WASHER FLAT TOP	1
9	191750	MOUNT-TRUNNION BEARING	2
10	191751	PLATE-REEL MOUNT (USE ON 191172)	1
10	198761	PLATE-OFFSET BEARING MOUNT (USE ON 198762)	1
10	208648	EXTENSION-REEL MOUNT, WLDMT (USE ON 208648)	1
10	219545	EXTENSION-REEL MOUNT, WLDMT (USE ON 219544)	1

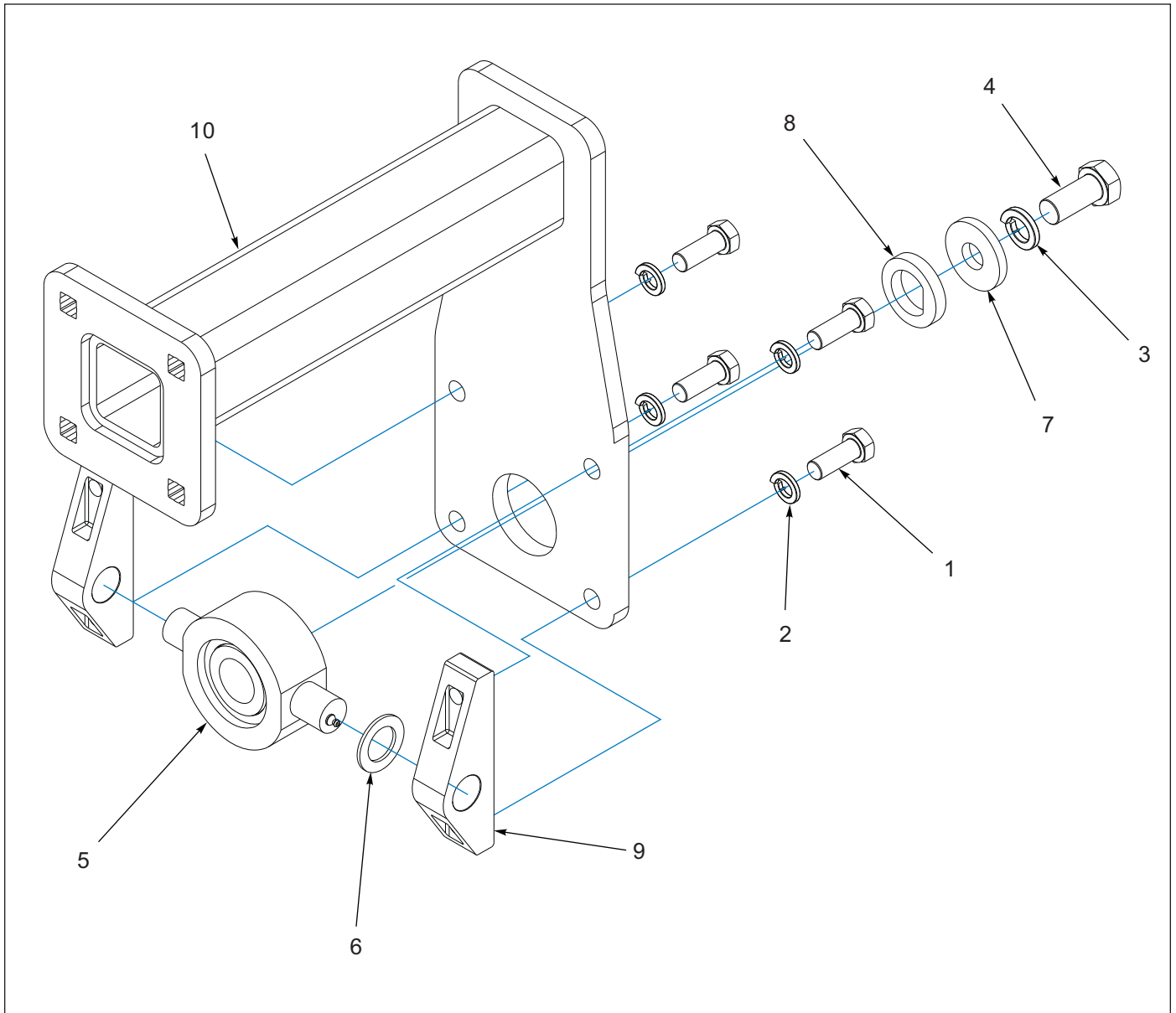


Figure 1-59: Reel Mount Extension Assembly

Reel Mount Extension Assembly

ITEM	PART NUMBER	DESCRIPTION	QTY.
	214682	EXTENSION-REEL MOUNT, ASSY	--
1	1-654-010061-05	SCREW,HHC,3/4-10UNCX2,GR5,ZP	4
2	1-861-010034-17	WASHER,LKG,HLCL SPR,3/4	4
3	1-861-010034-21	WASHER, LKG HEL SPRG 1IN	1
4	137943	SCREW,HEX CAP 1-8UNCX2-1/4GR5	1
5	140477	BEARING, DISC 1.775 ID ASSY	1
6	140480	WASHER, TRUNNION	1
7	154185	WASHER 3/8 THICK 1" ID	1
8	154186	WASHER FLAT TOP	1
9	191750	MOUNT-TRUNNION BEARING	2
10	214671	PLATE, PIVOT CTR MOUNT	1

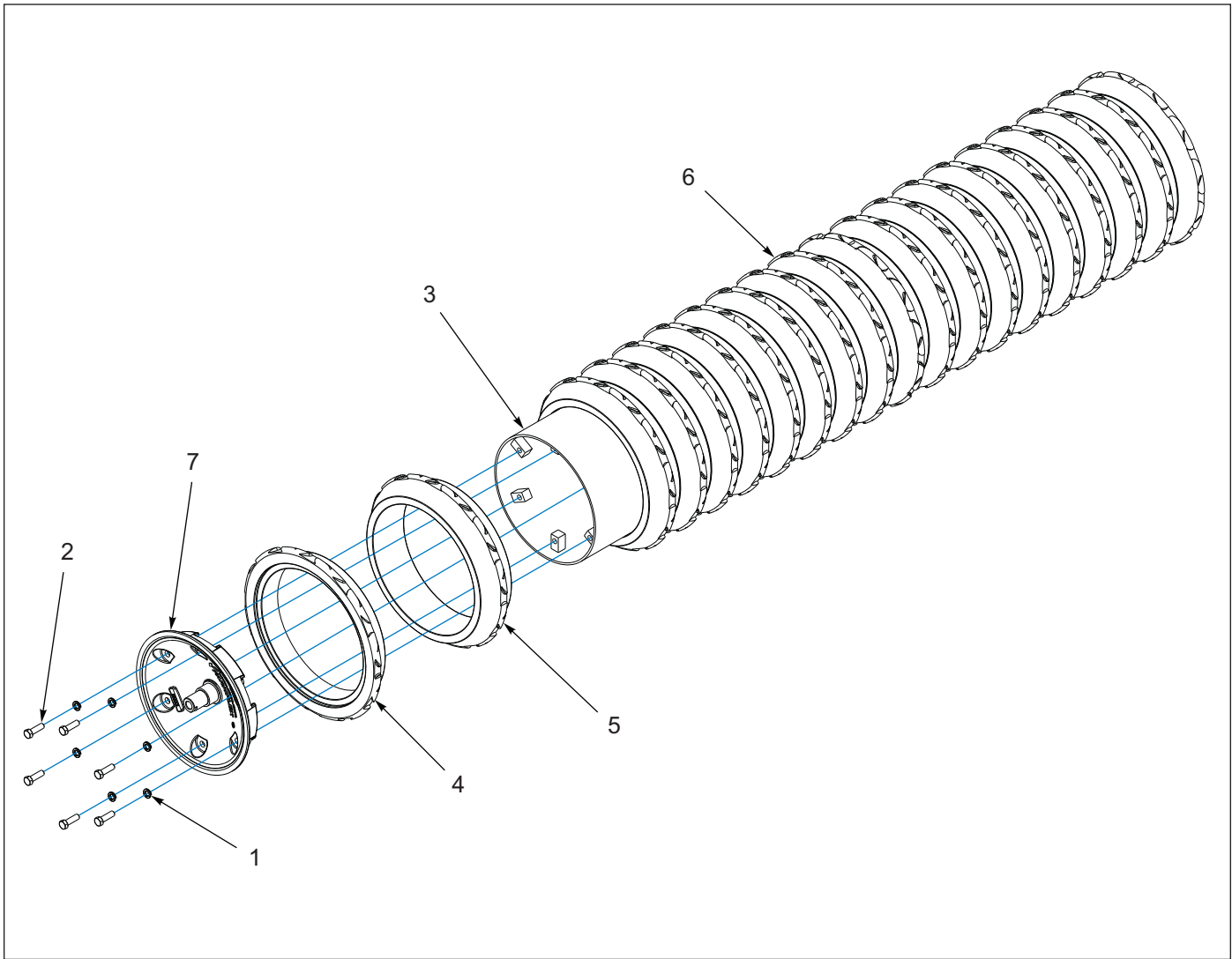


Figure 1-60: Rubber Roller Assemblies

Rubber Roller Assemblies

ITEM	PART NUMBER	DESCRIPTION	QTY.			
	192584	ROLLER RUBBER LCTX 2405VOTICO	1	--	--	--
	192585	ROLLER RUBBER LCTX 2655 OTICO	--	1	--	--
	200819	ROLLER RUBBER LCTX 3155 OTICO	--	--	1	--
	219541	ROLLER RUBBER LCTX 3405OTICO	--	--	--	1
1	1-861-010034-15	WASHER,LKG,HLCL SPR,5/8	12	12	12	12
2	122766	SCREW,CAP 5/8-11UNCX2 GR8	12	12	12	12
3	200811	TUBE WLDMT ROLLER 2405	1	--	--	--
3	200814	TUBE WLDMT ROLLER 2655	--	1	--	--
3	200818	TUBE WLDMT ROLLER 3155	--	--	1	--
3	219542	TUBE, ROLLER 3405, WELDMENT	--	--	--	1
4	201301	TIRE-END, ROLLER	2	2	2	2
5	201302	TIRE-STANDARD, ROLLER	16	18	22	26
6	201303	TIRE-STANDARD, ROLLER	2	2	2	2
7	203403	SHAFT ASSY ROLLER OTICO	2	2	2	2

Hydraulics

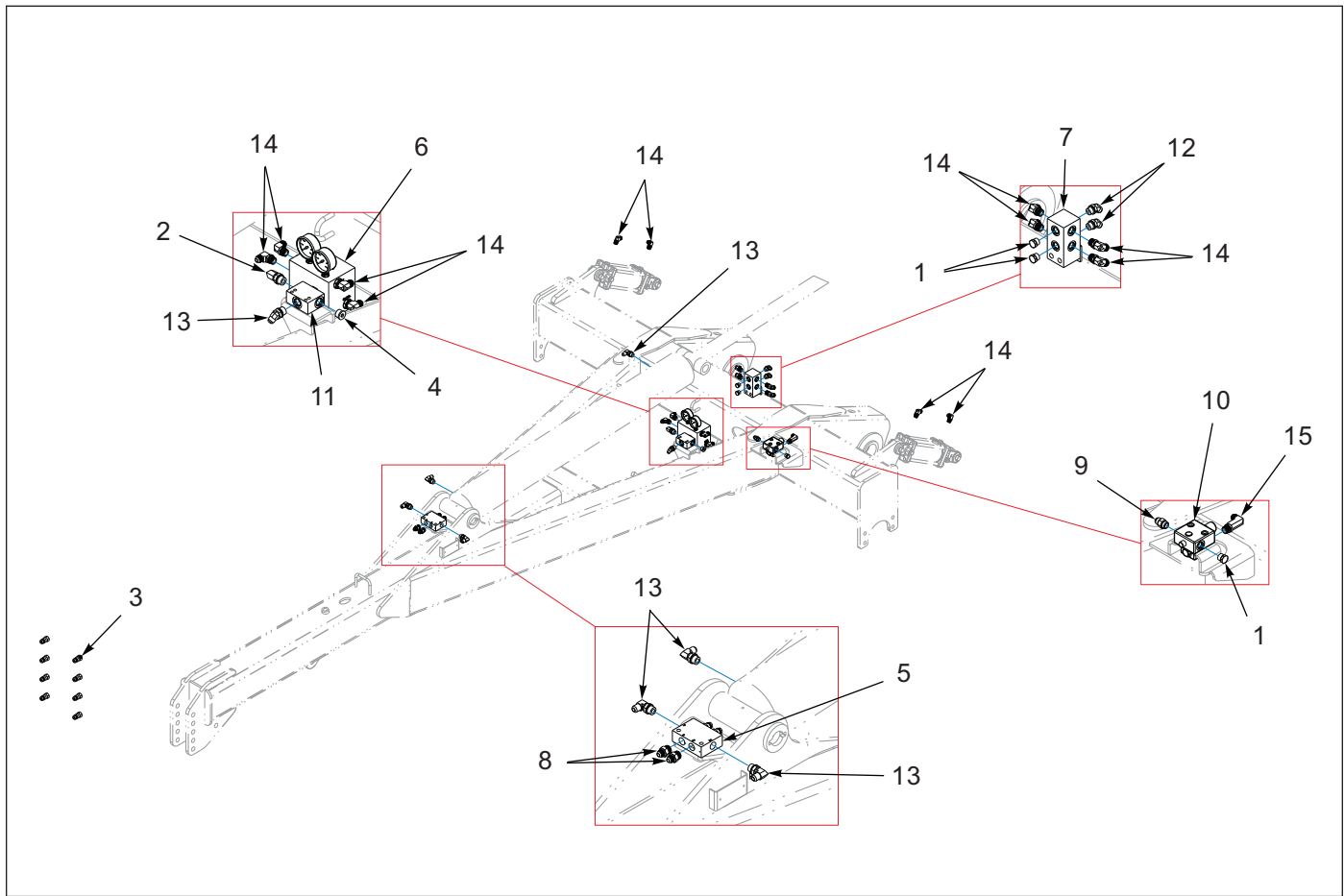


Figure 1-61: Hydraulic Hitch Kit

Hydraulic Hitch Kit

ITEM	PART NUMBER	DESCRIPTION	QTY.
	218735	KIT-HYDRAULIC, HITCH, 7822	--
1	1-007-010025	PLUG, 3/4-16 O-RING BOSS	4
2	124510	ADAPTER 45 #10 O-RINGX#8JIC	1
3	141828	COUPLER,MALE 3/4-16 O-RING	8
4	143853	PLUG #10 M ORB HEX SOCKET	1
5	184585	VALVE,DUAL COUNTER BALANCE,30G	1
6	195108	MANIFOLD ASSY VALVE DOWN PRESS	1
7	2-474-010022	MANIFOLD ASSY, HYDR 8 HOSE	1
8	202702-10-8S	ADAPTER, #10 O-RING #8 TUBE	2
9	202702-8-8S	ADAPTER #8 O-RING TO #8 TUBE	1
10	203450	VALVE-LIMIT	1
11	203467	VALVE-LIMIT, STROKE	1
12	2061-8-8S	ADAPTER, 45, #8 O-RING-TUBE	2
13	2062-10-8S	ADAPTER,90, #10 O-RING-TUBE	5
14	2062-8-8S	ADAPTER, 90, #8 O-RING-TUBE	12
15	206209-8-8S	ADAPTER,90LONG,#8 O-RING-TUBE	1

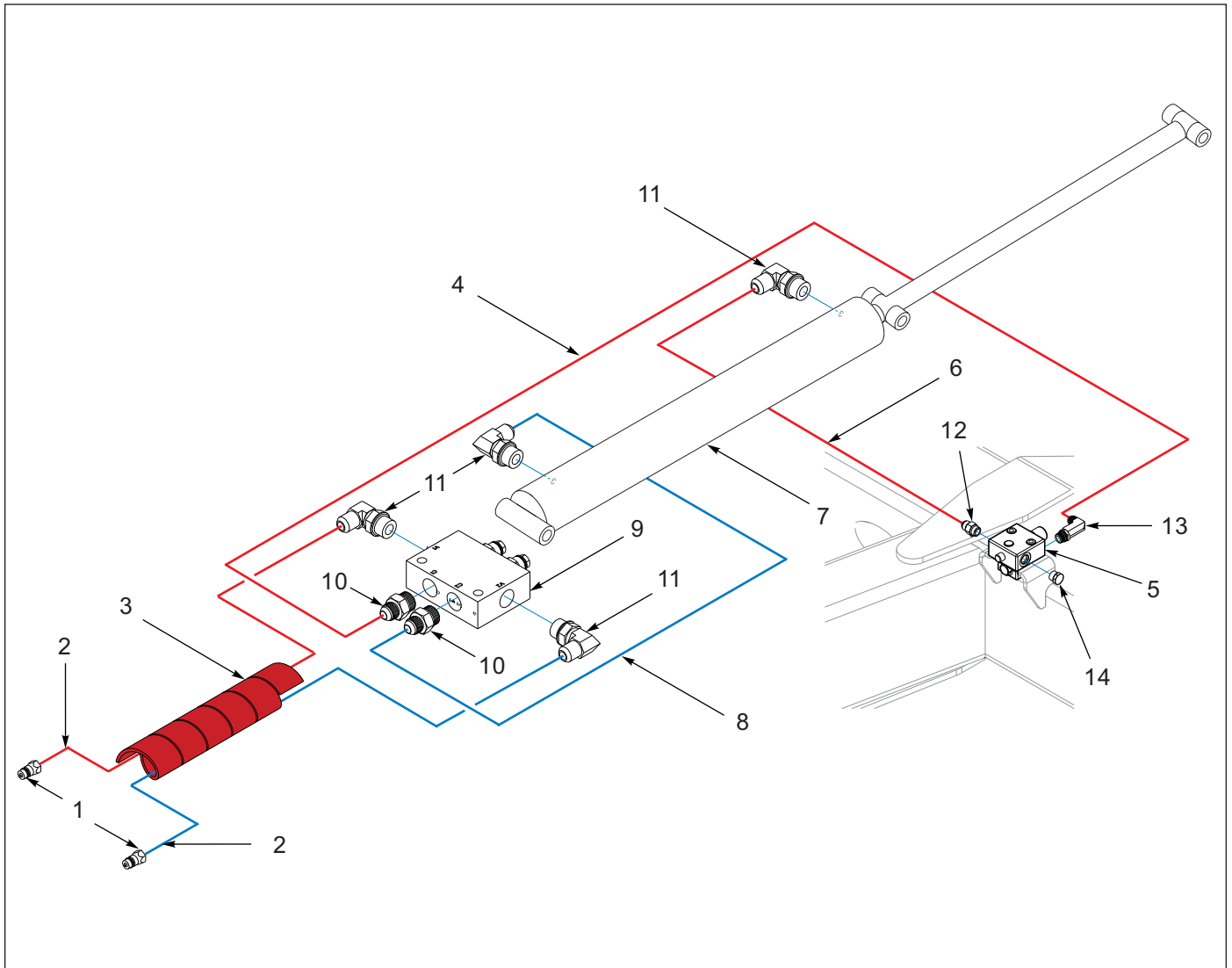


Figure 1-62: Hydraulic System - Tilt Control

Hydraulic System - Tilt Control

ITEM	PART NUMBER	DESCRIPTION	QTY.
1	141828	COUPLER,MALE 3/4-16 O-RING	2
2	186247	HOSE 1/2X102 #8JICX#8OR	2
3	172973	HOSE WRAP, RED	1
4	1-397-010301124	HOSE ASSY,1/2X124 SAE37,STR	1
5	203450	VALVE-LIMIT	1
6	1406046	HOSE ASSY,1/2X117,SAE37,STR	1
7	187436	CYLINDER, HYD 7X60 WLD 3000PSI (SEE PAGE 1-109)	1
8	1-397-010301070	HOSE ASSY,1/2X70,SAE37,STR-ST	1
9	184585	VALVE,DUAL COUNTER BALANCE,30G	1
10	202702-10-8S	ADAPTER, #10 O-RING #8 TUBE	2
11	2062-10-8S	ADAPTER,90, #10 O-RING-TUBE	4
12	202702-8-8S	ADAPTER #8 O-RING TO #8 TUBE	1
13	2062-8-8S	ADAPTER, 90, #8 O-RING-TUBE	1
14	1-007-010025	PLUG, 3/4-16 O-RING BOSS	1

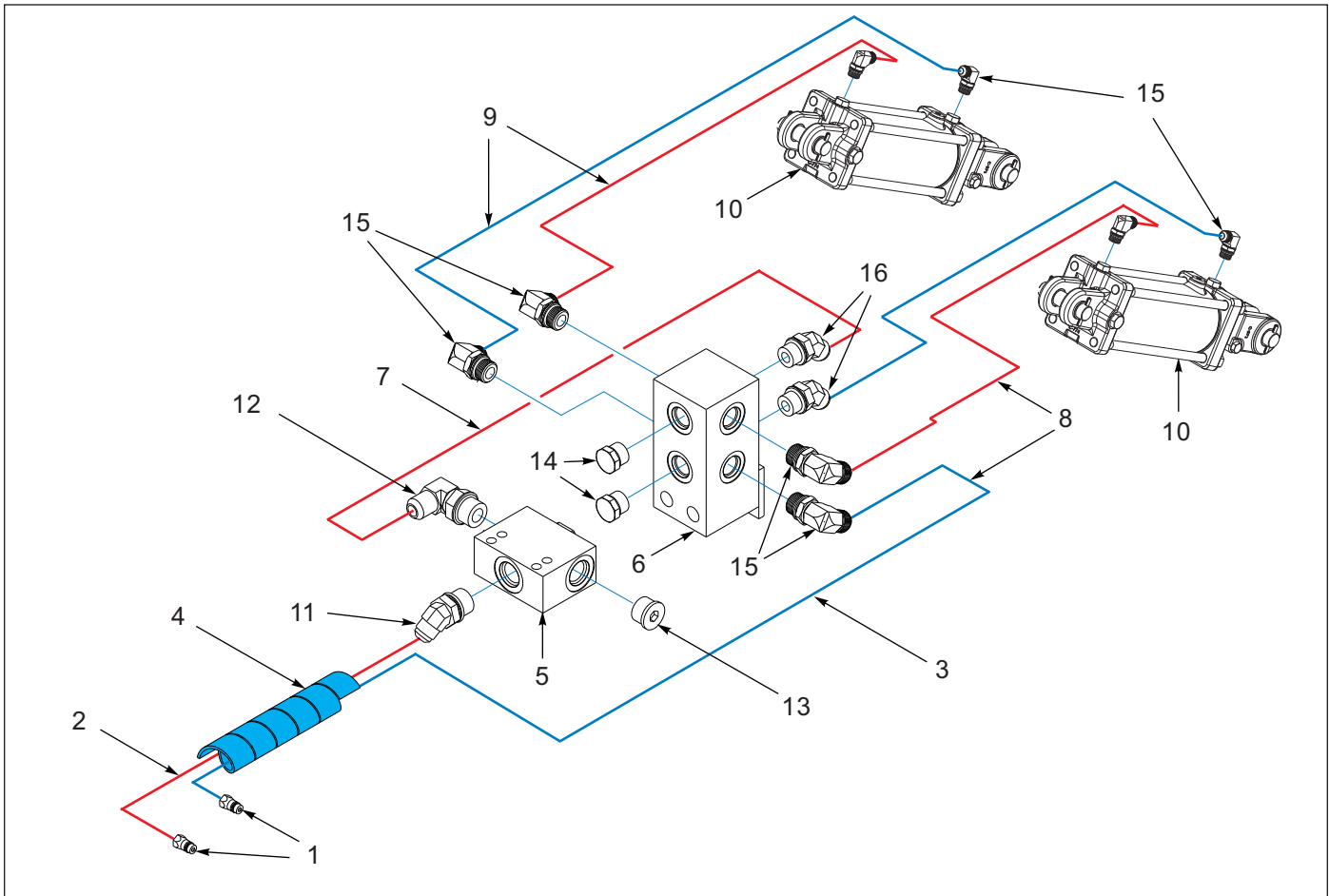


Figure 1-63: Hydraulic System - Front Gauge - 15'

Hydraulic System - Front Gauge - 15'

ITEM	PART NUMBER	DESCRIPTION	QTY.
1	141828	COUPLER,MALE 3/4-16 O-RING	2
2	141887	HOSE ASSY 3/8X168 #8JICX#8OR	1
3	145130	HOSE ASSY 3/8X214 #8 JICX#80R	1
4	155528	HOSE WRAP, BLUE 1" ID X 8"	1
5	203467	VALVE-LIMIT, STROKE	1
6	2-474-010022	MANIFOLD ASSY, HYDR 8 HOSE	1
7	71508992	HOSE ASSY .38 X 50	1
8	209436	HOSE ASSY, 3/8X76,-8FJX,-8FJX	1
9	116491	HOSE ASSY 3/8X96 #8 JIC SW	2
10	145201	CYLINDER 4 X 8 REPHASE (BEFORE 01/03/2020) (SEE PAGE 1-112)	2
10	201275	CYLINDER, 4 X 10 REPHASE (AFTER 01/03/2020)	2
11	2062-10-8S	ADAPTER,90, #10 O-RING-TUBE	1
12	124510	ADAPTER 45 #10 O-RINGX#8JIC	1
13	143853	PLUG #10 M ORB HEX SOCKET	1
14	1-007-010025	PLUG, 3/4-16 O-RING BOSS	2
15	2062-8-8S	ADAPTER, 90, #8 O-RING-TUBE	8
16	2061-8-8S	ADAPTER, 45, #8 O-RING-TUBE	2

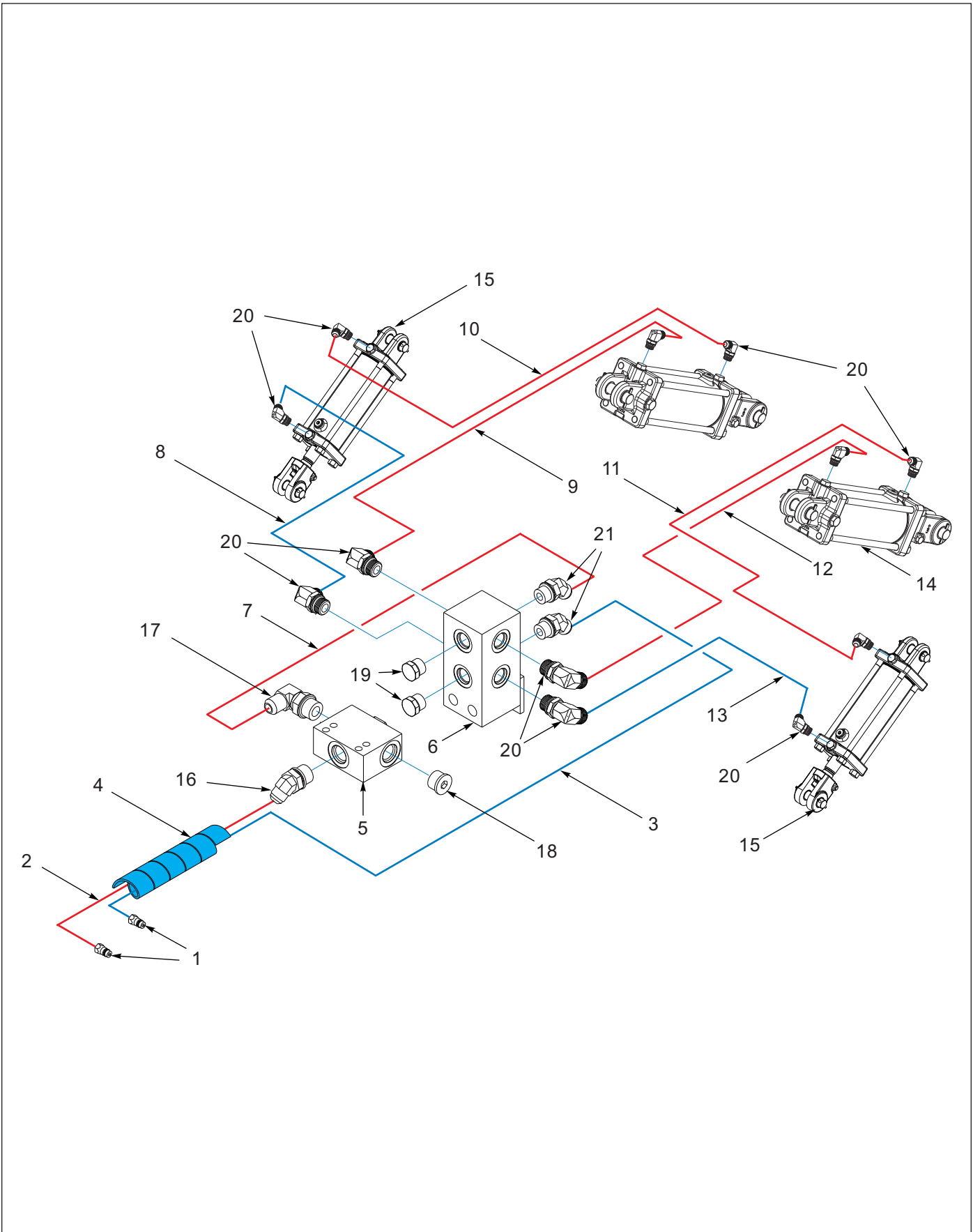


Figure 1-64: Hydraulic System - Front Gauge - 17', 20', 23'

Hydraulic System - Front Gauge - 17', 20', 23'

ITEM	PART NUMBER	DESCRIPTION	QTY.
1	141828	COUPLER,MALE 3/4-16 O-RING	2
2	141887	HOSE ASSY 3/8X168 #8JICX#8OR	1
3	145130	HOSE ASSY 3/8X214 #8 JICX#80R	1
4	155528	HOSE WRAP, BLUE 1" ID X 8"	1
5	203467	VALVE-LIMIT, STROKE	1
6	2-474-010022	MANIFOLD ASSY, HYDR 8 HOSE	1
7	71508992	HOSE ASSY .38 X 50	1
8	141890	HOSE ASSY 3/8X192 #8JIC SWIV	1
9	116491	HOSE ASSY 3/8X96 #8 JIC SW	1
10	144343	HOSE ASSY 3/8X165 #8 JIC SWIV (17' MODEL)	1
10	150273	HOSE ASSY 3/8X185 #8 JIC SWIV (20' MODEL)	1
10	117163	HOSE ASSY 3/8X196 #8 JIC (23' MODEL)	1
11	141889	HOSE ASSY 3/8X159 #8JIC SWIV (17' MODEL)	1
11	210265	HOSE ASSY 3/8X178 #8 JIC SWIV (20' MODEL)	1
11	141883	HOSE ASSY 3/8X190 #8 JIC SWIV (23' MODEL)	1
12	209436	HOSE ASSY, 3/8X76,-8FJX,-8FJX	1
13	210265	HOSE ASSY,3/8,#8 JIC SWIVELX178 (17' MODEL)	1
13	117163	HOSE ASSY,3/8X196,#8 JIC (20' MODEL)	1
13	141882	HOSE ASSY,3/8X206,#8 JIC SWIV (23' MODEL)	1
14	145201	CYLINDER 4 X 8 REPHASE (BEFORE 01/03/2020) (SEE PAGE 1-112)	2
14	201275	CYLINDER, 4 X 10 REPHASE (AFTER 01/03/2020)	2
15	145202	CYLINDER 3-3/4 X 8 REPHASE (BEFORE 01/03/2020) (SEE PAGE 1-113)	2
15	201276	CYLINDER, 3.75 X 10 REPHASE (AFTER 01/03/2020)	2
16	2062-10-8S	ADAPTER,90, #10 O-RING-TUBE	1
17	124510	ADAPTER 45 #10 O-RINGX#8JIC	1
18	143853	PLUG #10 M ORB HEX SOCKET	1
19	1-007-010025	PLUG, 3/4-16 O-RING BOSS	2
20	2062-8-8S	ADAPTER, 90, #8 O-RING-TUBE	12
21	2061-8-8S	ADAPTER, 45, #8 O-RING-TUBE	2

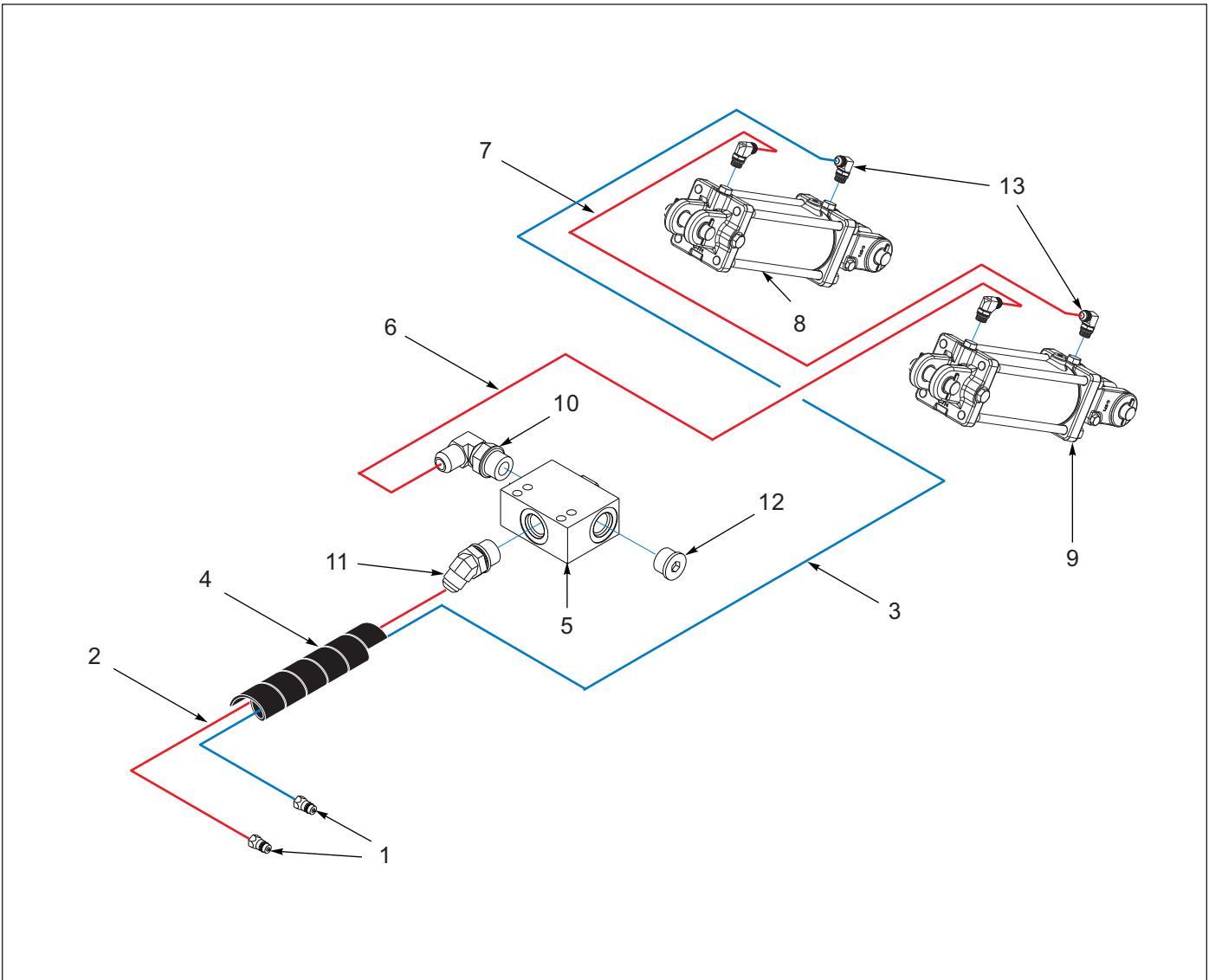


Figure 1-65: Hydraulic System - Rear Reel/Roller Circuit

Hydraulic System - Rear Reel/Roller Circuit

ITEM	PART NUMBER	DESCRIPTION	QTY.
1	141828	COUPLER,MALE 3/4-16 O-RING	2
2	176999	HOSE 3/8 X 342, #8JIC X #8OR	1
3	185677	HOSE ASSY, 3/8X405#8JICX#8OR	1
4	155530	HOSE WRAP, BLACK 1" ID X 8"	1
5	203467	VALVE-LIMIT, STROKE	1
6	116490	HOSE ASSY 3/8X78 #8 JIC SW	1
7	160693	HOSE ASSY 3/8X222 #8 JIC SWIV	1
8	201276	CYLINDER, 3.75 X 10 REPHASE (SEE PAGE 1-114)	1
9	201275	CYLINDER, 4 X 10 REPHASE (SEE PAGE 1-114)	1
10	2062-10-8S	ADAPTER,90, #10 O-RING-TUBE	1
11	124510	ADAPTER 45 #10 O-RINGX#8JIC	1
12	143853	PLUG #10 M ORB HEX SOCKET	1
13	2062-8-8S	ADAPTER, 90, #8 O-RING-TUBE	4

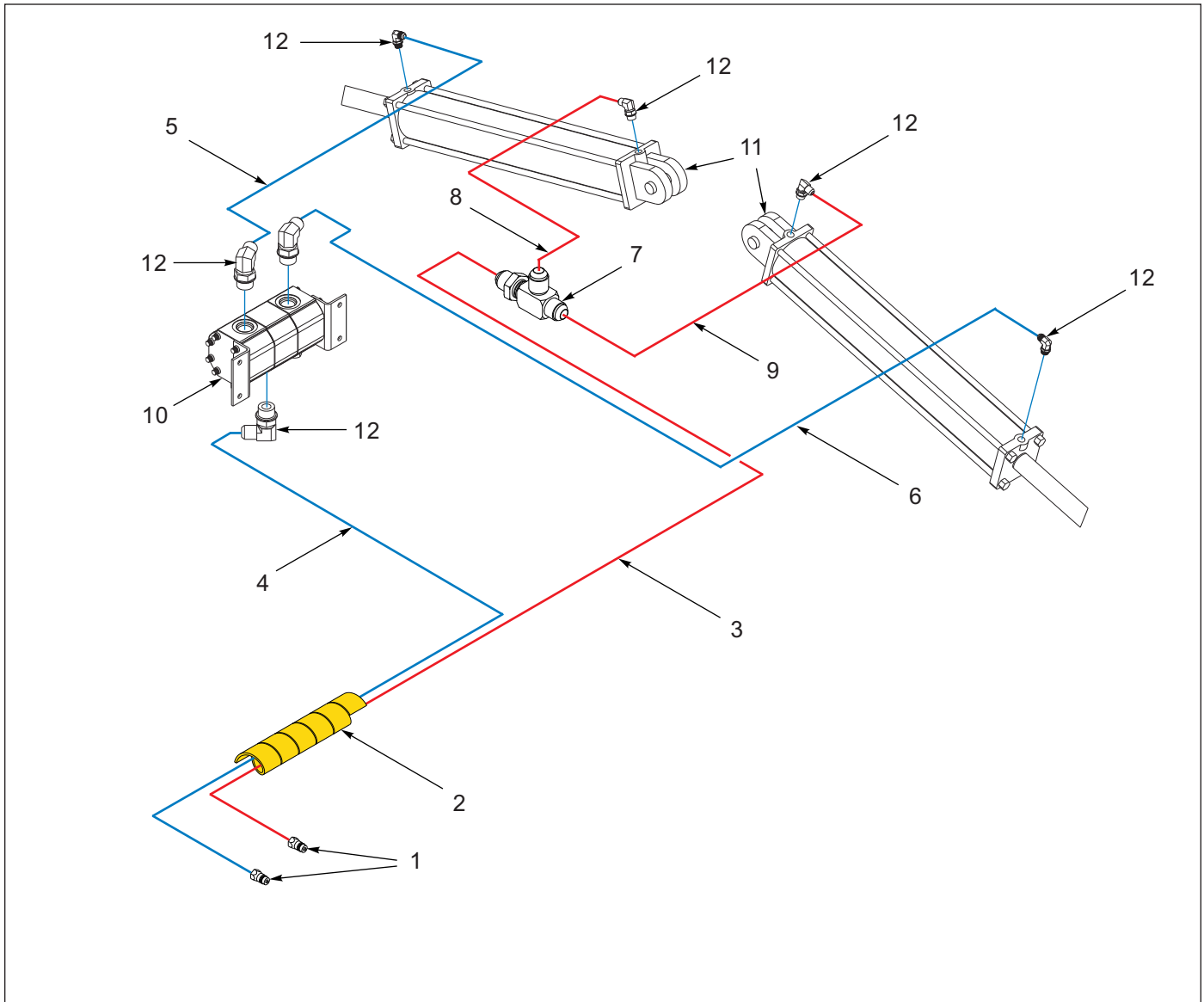


Figure 1-66: Hydraulic System - Wing Fold Down Circuit - 15'

Hydraulic System - Wing Fold Down Circuit - 15'

ITEM	PART NUMBER	DESCRIPTION	QTY.
1	141828	COUPLER,MALE 3/4-16 O-RING	2
2	155529	HOSE WRAP, YELLOW 1" ID X 8"	1
3	211320	HOSE ASSY, 3/8X300 #8JICX#M8OR	1
4	165335	HOSE ASSY,3/8X290,#8JICX#8 O/R	1
5	181799	HOSE ASSY, 3/8X74, #8 JIC	1
6	195647	HOSE ASSY, 3/8X93 #8 JIC SWIV	1
7	1P292	08MJ MALE BULKHEAD RUN TEE	1
8	153843	HOSE ASSY 3/8X67 #8 JIC SWIV	1
9	122909	HOSE ASSY 3/8X82,#8 JIC SWVL	1
10	221788	DIVIDER-FLOW, HYD, .517 CUI	1
11	176035	CYLINDER, HYD 4-1/2X30 3000PSI (SEE PAGE 1-110)	2
12	2062-10-8S	ADAPTER,90, #10 O-RING-TUBE	7

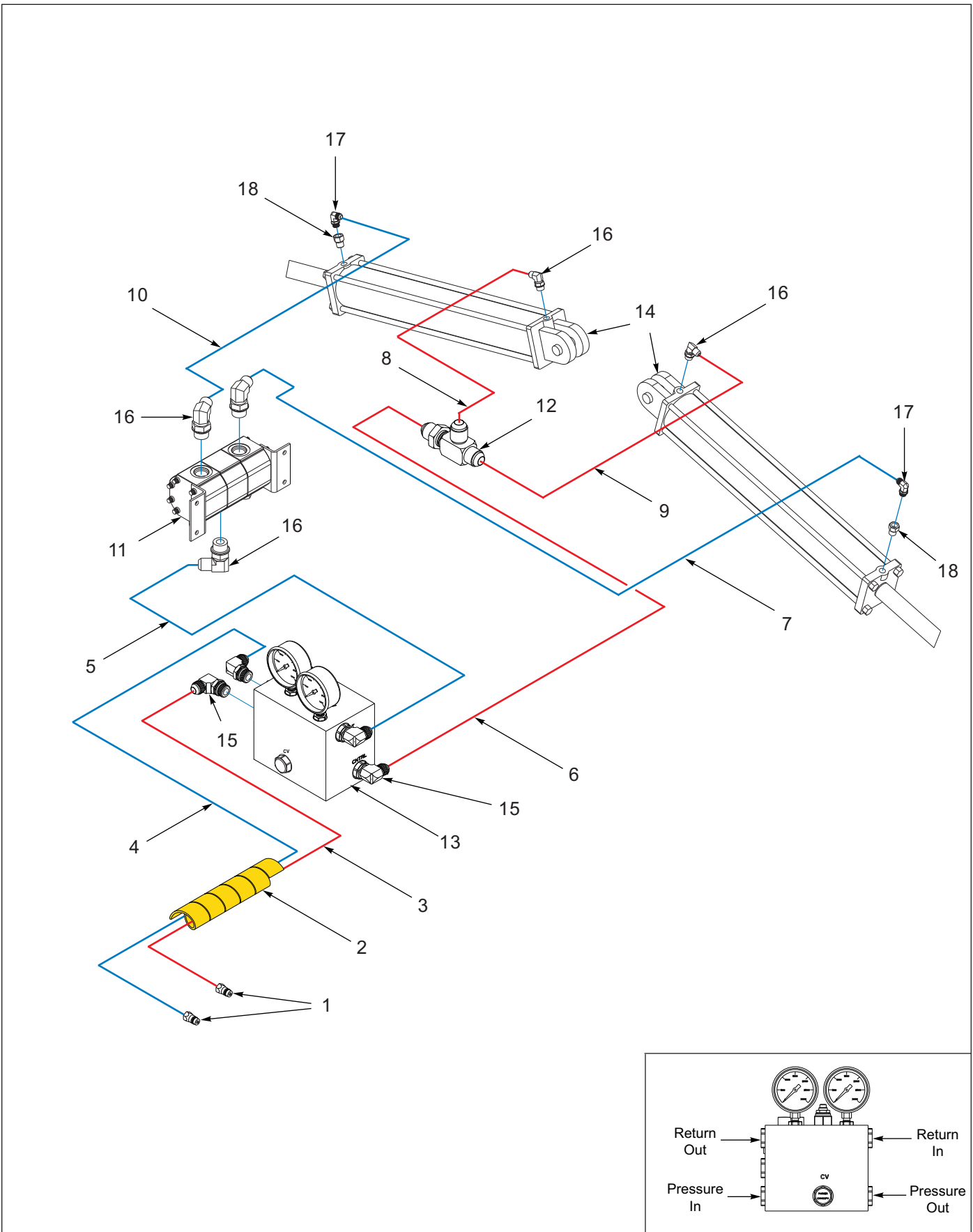


Figure 1-67: Hydraulic System - Wing Fold Down Circuit - 17', 20', 23'

Hydraulic System - Wing Fold Down Circuit - 17', 20', 23'

ITEM	PART NUMBER	DESCRIPTION	QTY.
1	141828	COUPLER,MALE 3/4-16 O-RING	2
2	155529	HOSE WRAP, YELLOW 1" ID X 8"	1
3	156944	HOSE ASY3/8#8JICX#8 O-RG 184 (17' MODEL)	1
3	211319	HOSE ASSY,3/8 X 200,8FJSX8MOR (20' MODEL)	1
3	194696	HOSE ASSY, 3/8X222 #8JICX#8OR (23' MODEL)	1
4	156944	HOSE ASY3/8#8JICX#8 O-RG 184 (17' MODEL)	1
4	211319	HOSE ASSY,3/8 X 200,8FJSX8MOR (20' & 23' MODELS)	1
5	210264	HOSE ASSY,3/8,#8JIC SWIVELX138	1
6	144342	HOSE ASSY 3/8X150 #8 JIC SWIV	1
7	195647	HOSE ASSY, 3/8X93 #8 JIC SWIV	1
8	153843	HOSE ASSY 3/8X67 #8 JIC SWIV	1
9	122909	HOSE ASSY 3/8X82,#8 JIC SWVL	1
10	181799	HOSE ASSY, 3/8X74, #8 JIC	1
11	221788	DIVIDER-FLOW, HYD, .517 CUI	1
12	1P292	08MJ MALE BULKHEAD RUN TEE	1
13	195108	MANIFOLD ASSY VALVE DOWN PRESS	1
14	176035	CYLINDER, HYD 4-1/2X30 3000PSI (SEE PAGE 1-110)	2
15	2062-8-8S	ADAPTER, 90, #8 O-RING-TUBE	4
16	2062-10-8S	ADAPTER,90, #10 O-RING-TUBE	5
17	141826	ELBOW 90 1/16 RES	2
18	5001195	REDUCER ORB 7/8 TO 3/4	2

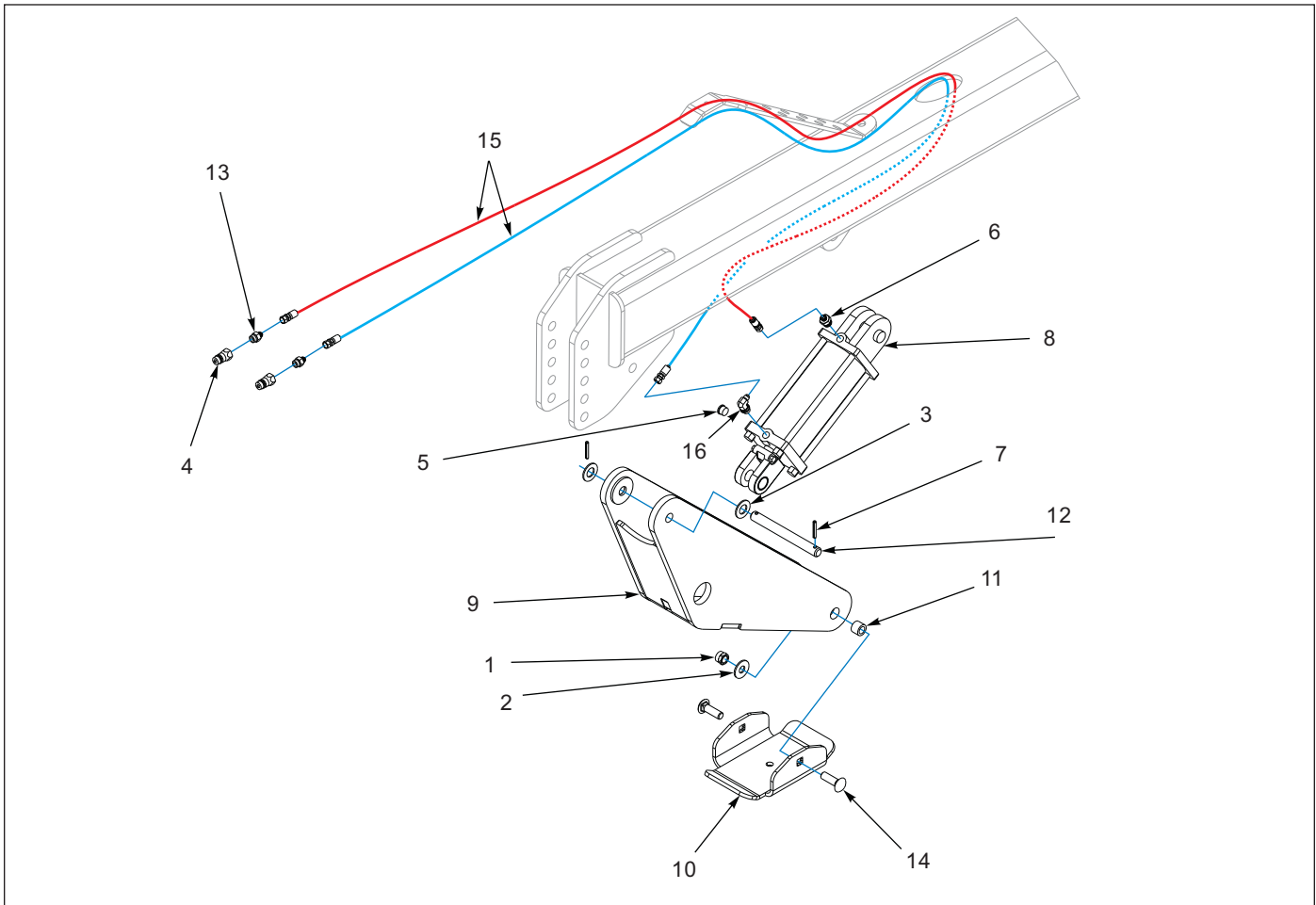


Figure 1-68: Hydraulic Jack Assembly

Hydraulic Jack Assembly

ITEM	PART NUMBER	DESCRIPTION	QTY.
	187684	JACK-7831, HYDRAULIC ASSEMBLY	--
1	1-512-010005-15	NUT,HEX,SLFLKG GRB 3/4-10	2
2	1-861-010032-21	WASHER, FLAT 3/4 W ZP/CD	2
3	1-861-010032-24	WASHER FL 1IN NARROW ZP	2
4	141828	COUPLER,MALE 3/4-16 O-RING	1
5	143853	PLUG #10 M ORB HEX SOCKET	1
6	146707	ADAPTER,#10 O-RING #6 TUBE	2
7	147072	PIN, SPRING SLOTTED 5/16 X 2	1
8	177389	CYLINDER,HYD 4-1/2X8 3000 PSI (SEE PAGE 1-111)	1
9	187479	PLANK, 12'	1
10	187680	FOOT - JACK LEG	2
11	187681	BUSHING 1.25 X .812 X .9375	1
12	188794	PIN, 1.0 X 9.50 H2	2
13	202702-8-6S	ADAPTER #8 O-RING TO #6 TUBE	2
14	3/4-10X2-1/2CB	SCREW, RDH, SQ NK, 3/4-10X2-1/2	2
15	169849	HOSE ASSY, 14 X 144, 6JFX, 6 JFX	2
16	102-1333	FTG,90EL 06SAEM X 10 O'RINGM	1

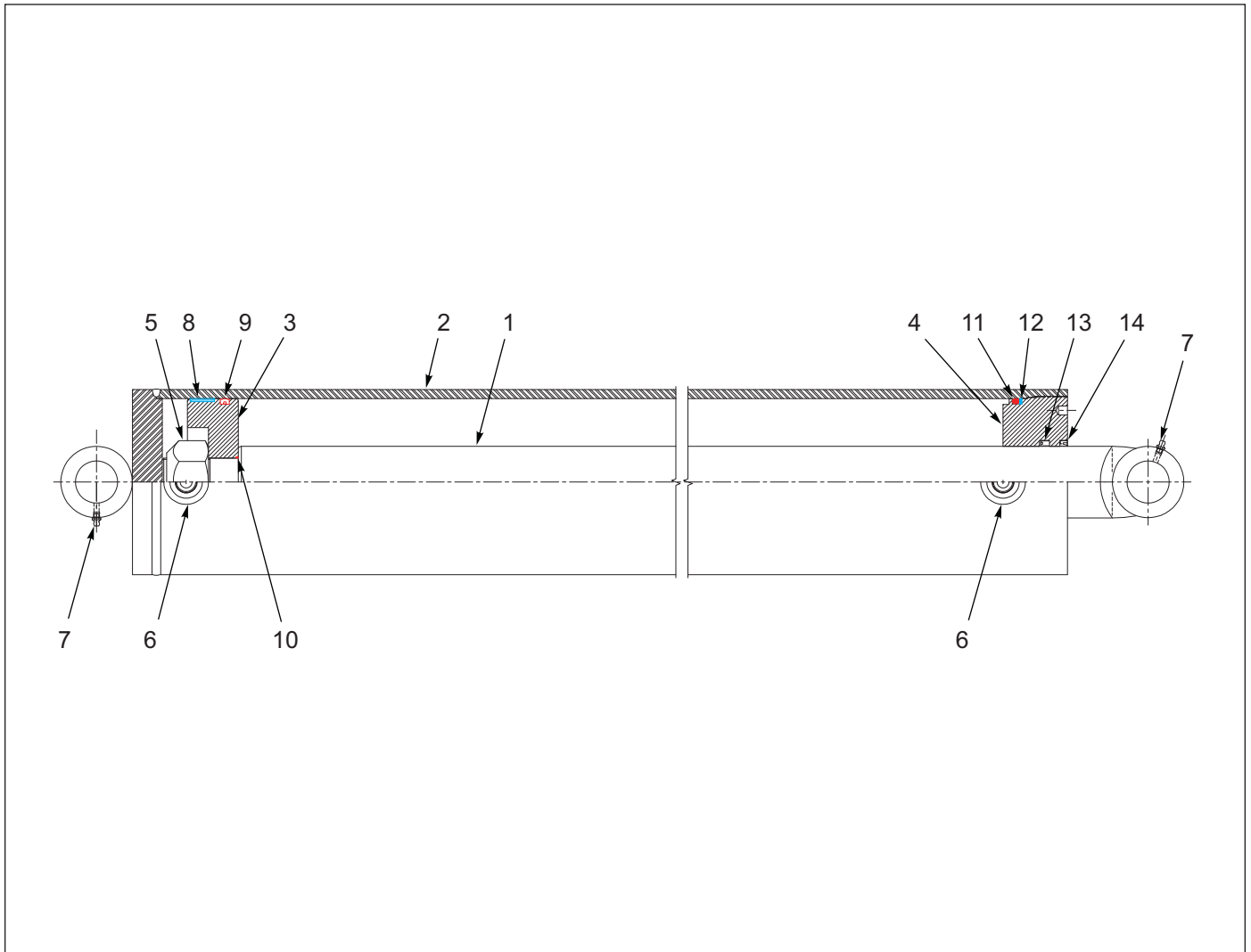


Figure 1-69: Hydraulic Cylinder 7 X 60

Hydraulic Cylinder 7 X 60

ITEM	PART NO.	DESCRIPTION	QTY.
	187436	CYLINDER, HYDRAULIC 7 X 60, WELD 3000 PSI	--
1	-----	PISTON ROD	1
2	-----	BUTT & TUBE ASSY	1
3	-----	PISTON	1
4	-----	GLAND	1
5	116606	LOCK NUT	1
6	148142	PORT PLUG	2
7	-----	GREASE ZERK	2
8	-----	BEARING RING	1
9	-----	CROWN SEAL	1
10	-----	O- RING	1
11	-----	O-RING	1
12	-----	BU-WASHER	1
13	-----	U-CUP	1
14	-----	WIPER	1
15	-----	PACKING KIT (ITEMS 8-14)	1

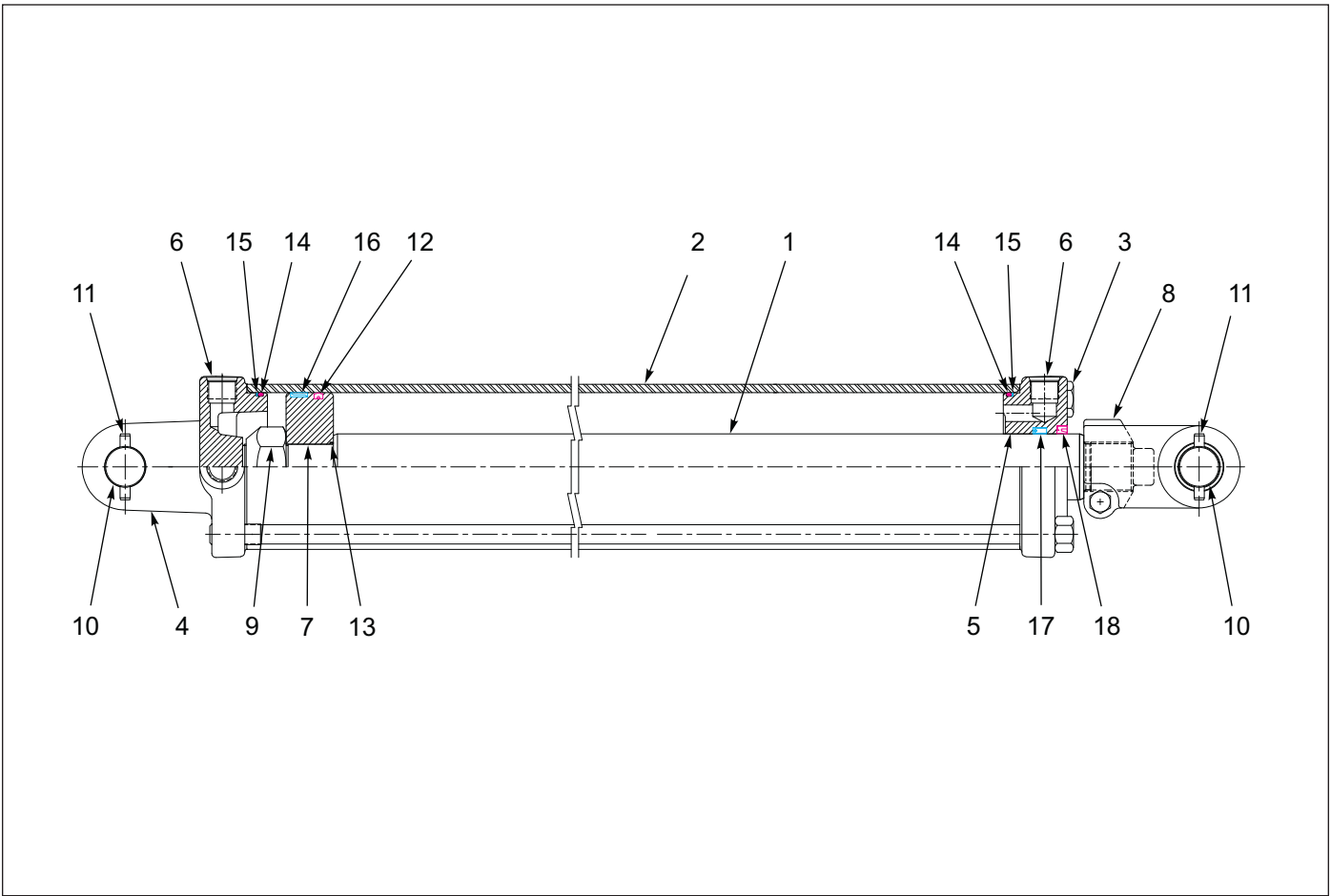


Figure 1-70: Hydraulic Cylinder 4-1/2 X 30

Hydraulic Cylinder 4-1/2 X 30

ITEM	PART NUMBER	DESCRIPTION	QTY.
	176035	CYLINDER, HYDRAULIC 4-1/2 X 30, 3000 PSI	--
1	-----	PISTON ROD	1
2	-----	TUBE	1
3	-----	TIE ROD ASSY	4
4	-----	BUTT	1
5	-----	GLAND	1
6	-----	PORT PLUG	3
7	-----	PISTON	1
8	-----	CLEVIS ASSEMBLY	1
9	-----	LOCKNUT	1
10	-----	CLEVIS PIN	2
11	-----	ROLL PIN	4
12	-----	CROWN SEAL	1
13	-----	O-RING	1
14	-----	O-RING	2
15	-----	BU-WASHER	2
16	-----	BEARING RING	1
17	-----	U-CUP	1
18	-----	WIPER	1
19	180483	PACKING KIT (NOT SHOWN) (ITEMS 12-18)	1

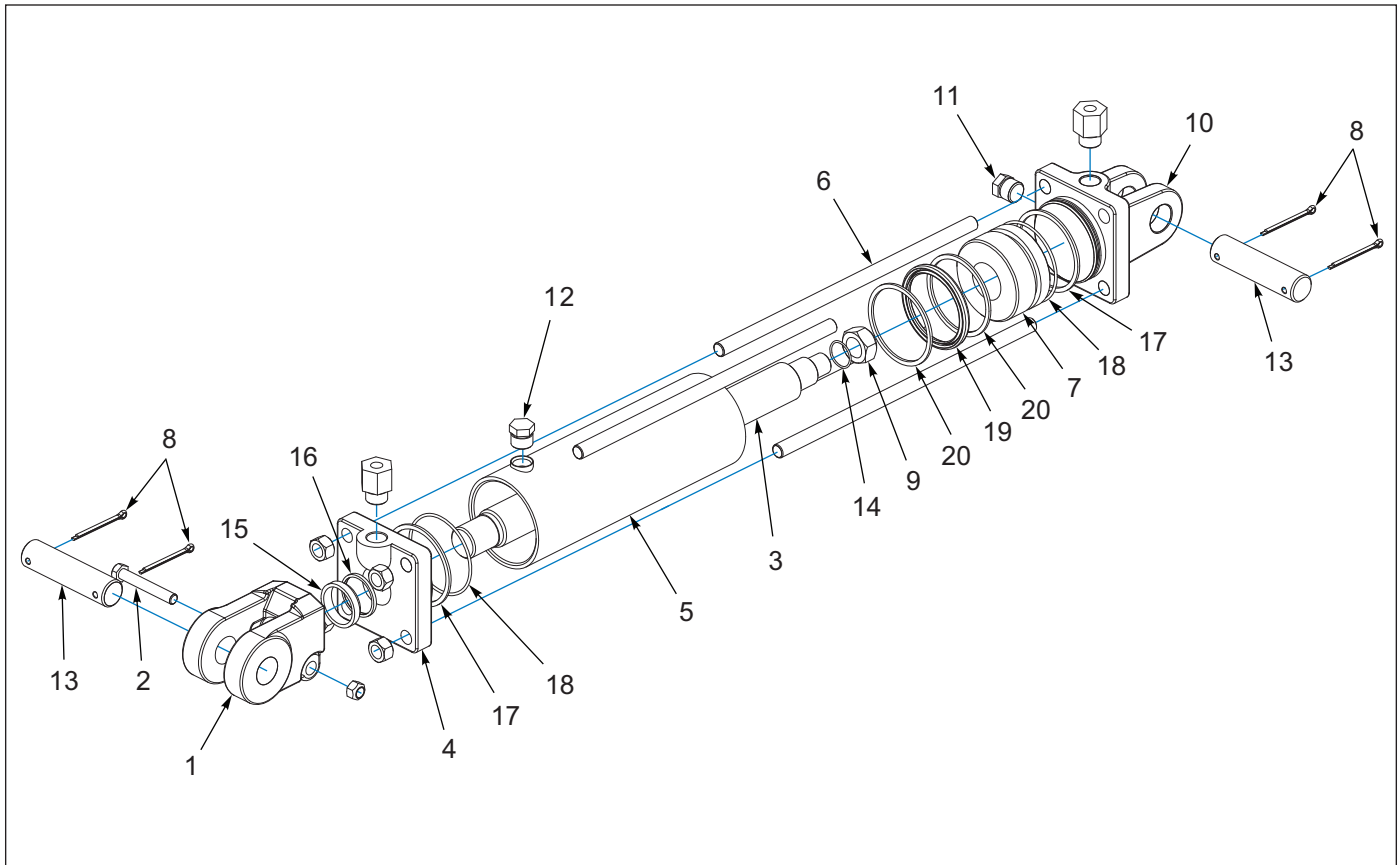


Figure 1-71: Hydraulic Cylinder 4-1/2 X 8

Hydraulic Cylinder 4-1/2 X 8

ITEM	PART NUMBER	DESCRIPTION	QTY.
	177389	CYLINDER, HYDRAULIC 4-1/2 X 8, 3000 PSI	--
1	-----	ROD, END CLEVIS	1
2	-----	CAPSCREW, 3/8-16 NC X 2-1/2	1
3	-----	ROD, PISTON	1
4	-----	GLAND, W/ BUSHING	1
5	-----	TUBE ASSY	1
6	-----	TIE ROD ASSY	4
7	-----	PISTON	1
8	-----	COTTER PIN	4
9	220000210	LOCK NUT	1
10	-----	BASE	1
11	-----	STEEL PLUG, O-RING TYPE	1
12	200300040	PLUG	1
13	-----	CLEVIS PIN	2
14	-----	O-RING	1
15	-----	ROD, WIPER	1
16	-----	U-CUP	1
17	-----	BU-WASHER	2
18	-----	O-RING	2
19	-----	TEFON SEAL	1
20	-----	BEARING RING	2
21	180483	PACKING KIT (NOT SHOWN) (ITEMS 13-20)	1

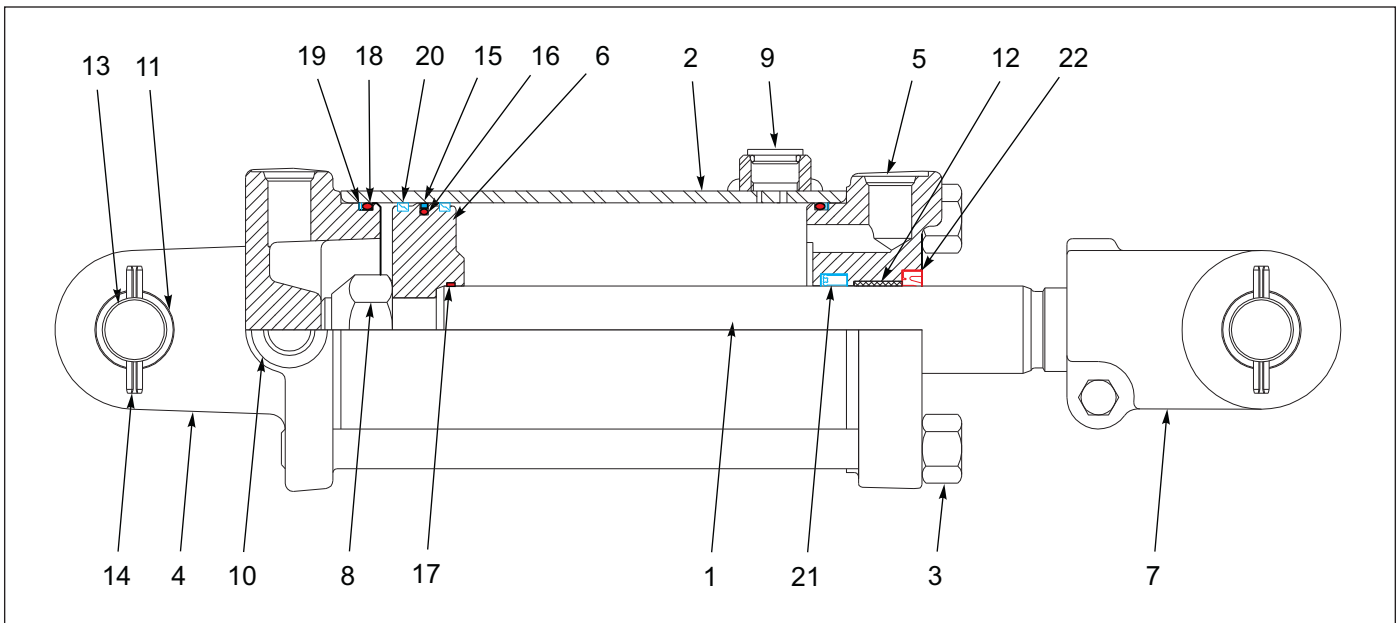


Figure 1-72: Hydraulic Cylinder 4 X 8 - 145201

Hydraulic Cylinder 4 X 8 - 145201

ITEM	PART NUMBER	DESCRIPTION	QTY
	145201	CYLINDER 4 X 8 REPHASE	--
1	147741	PISTON ROD	1
2	-----	TUBE	--
3	147742	TIEROD ASSEMBLY	4
4	135911	BUTT CLEVIS ASSEMBLY (BEFORE 04/03/2020)	1
4	142114	BUTT CLEVIS ASSEMBLY (AFTER 04/03/2020)	1
5	142109	GLAND ASSEMBLY	1
6	147744	PISTON	1
6	-----	PISTON	--
7	142110	CLEVIS ASSEMBLY	1
8	220000210	LOCK NUT	1
9	142115	SHIPPING PLUG	1
10	200300040	PLUG O-RING	3
11	142112	BUSHING (BEFORE 11/17/2008)	4
11	-----	BUSHING (AFTER 11/17/2008)	--
12	141301	BUSHING	1
13	111790	PIN, CLEVIS (BEFORE 11/17/2008)	2
13	143994	PIN, CLEVIS (AFTER 11/17/2008)	2
14	111789	PIN,ROLL (BEFORE 04/03/2020)	4
14	1-647-010004221	PIN, ROLL (AFTER 04/03/2020)	4
15	-----	TEFLON SEAL	1
16	-----	O-RING	1
17	-----	O-RING	1
18	-----	O-RING	2
19	-----	BU-WASHER	2
20	-----	BEARING RING	1
21	-----	U-CUP	1
22	-----	CANNED WIPER	1
23	147745	PACKING KIT (INCLUDES ITEMS 15 - 22)	1

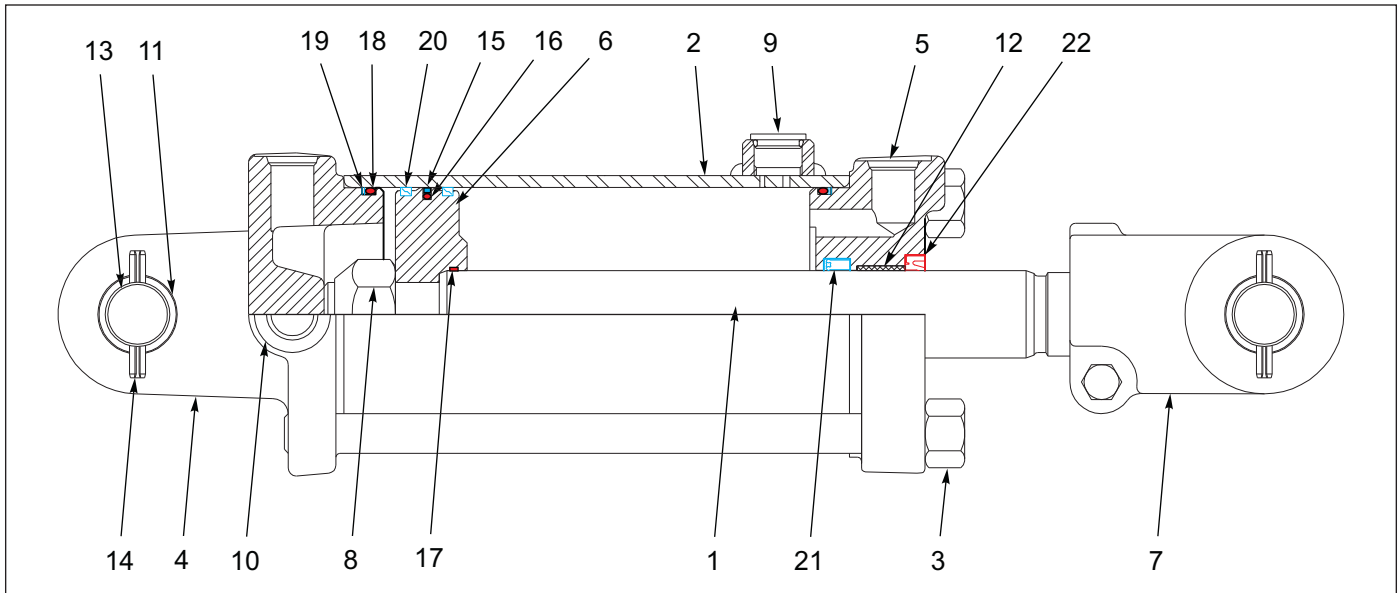


Figure 1-73: Hydraulic Cylinder 3-3/4 X 8 - 145202

Hydraulic Cylinder 3-3/4 X 8 - 145202

ITEM	PART NO.	DESCRIPTION	QTY.
	145202	CYLINDER 3-3/4 X 8 REPHASE	--
1	147741	PISTON ROD	1
2	147746	TUBE ASSEMBLY (BEFORE 04/03/2020)	1
2	-----	TUBE ASSEMBLY (AFTER 04/03/2020)	--
3	147742	TIEROD ASSEMBLY	4
4	111876	BUTT CLEVIS ASSEMBLY (BEFORE 04/03/2020)	1
4	142116	BUTT CLEVIS ASSEMBLY (AFTER 04/03/2020)	1
5	111871	GLAND ASSY	1
6	147747	PISTON (BEFORE 04/03/2020)	1
6	-----	PISTON (AFTER 04/03/2020)	--
7	142110	CLEVIS ASSEMBLY	1
8	220000210	LOCK NUT	1
9	142115	SHIPPING PLUG	1
10	200300040	PLUG O-RING 1-242-010120	3
11	142112	BUSHING (BEFORE 11/17/2008)	4
11	-----	BUSHING (AFTER 11/17/2008)	--
12	141301	BUSHING	1
13	111790	PIN,CLEVIS (BEFORE 11/17/2008)	2
13	143994	PIN, CLEVIS (AFTER 11/17/2008)	2
14	111789	PIN,ROLL (BEFORE 04/03/2020)	4
14	1-647-010004221	PIN, ROLL (AFTER 04/03/2020)	14
15	-----	TEFLON SEAL	1
16	-----	O-RING	1
17	-----	O-RING	1
18	-----	O-RING	2
19	-----	BU-WASHER	2
20	-----	BEARING RING	1
21	-----	U-CUP	1
22	-----	CANNED WIPER	1
23	147748	PACKING KIT (INCLUDES ITEMS 15 - 22)	1

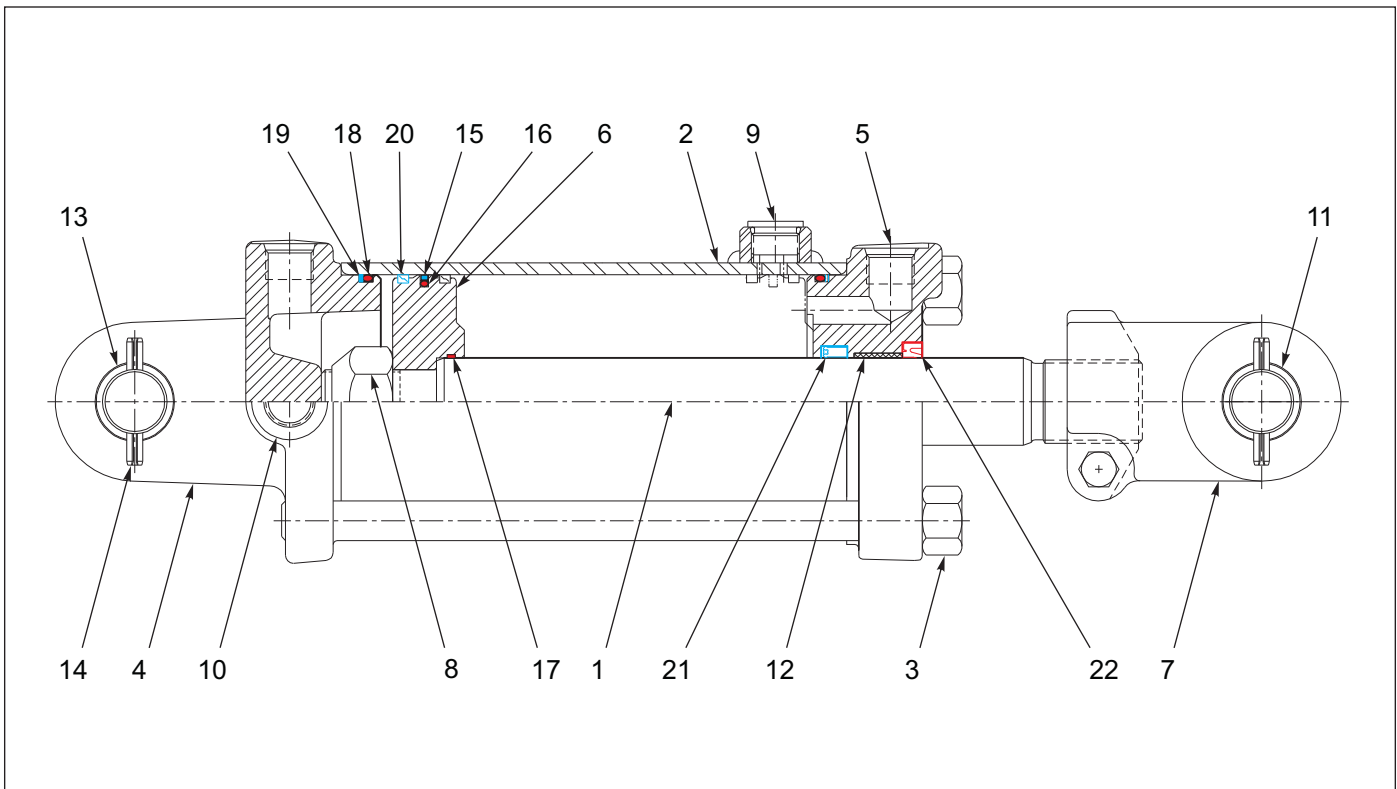


Figure 1-74: Hydraulic Cylinders - 3-3/4 X 10 Rephase

Hydraulic Cylinders - 3-3/4 X 10 Rephase

ITEM	PART NUMBER	DESCRIPTION	QTY.
	201276	CYLINDER, REPHASE	--
1	145714	PISTON ROD	1
2	-----	TUBE ASSEMBLY	1
3	-----	TIE ROD ASSY	4
4	111876	BUTT CLEVIS ASSY	1
5	111871	GLAND ASSEMBLY	1
6	-----	PISTON	1
7	140306	CLEVIS ASSY	1
8	220000210	LOCK NUT	1
9	-----	PLUG, PORT	1
10	200300040	PLUG, PORT	3
11	141301	BUSHING	4
12	-----	BUSHING	1
13	143994	CLEVIS PIN	2
14	111789	ROLL PIN	4
15	-----	TEFLON SEAL	1
16	-----	O- RING	1
17	-----	O- RING	1
18	-----	O- RING	2
19	-----	BU- WASHER	2
20	-----	BEARING RING	1
21	-----	U- CUP	1
22	250014137	CANNED WIPER	1
23	147748	PACKING KIT (NOT SHOWN) (ITEMS 15-22)	--

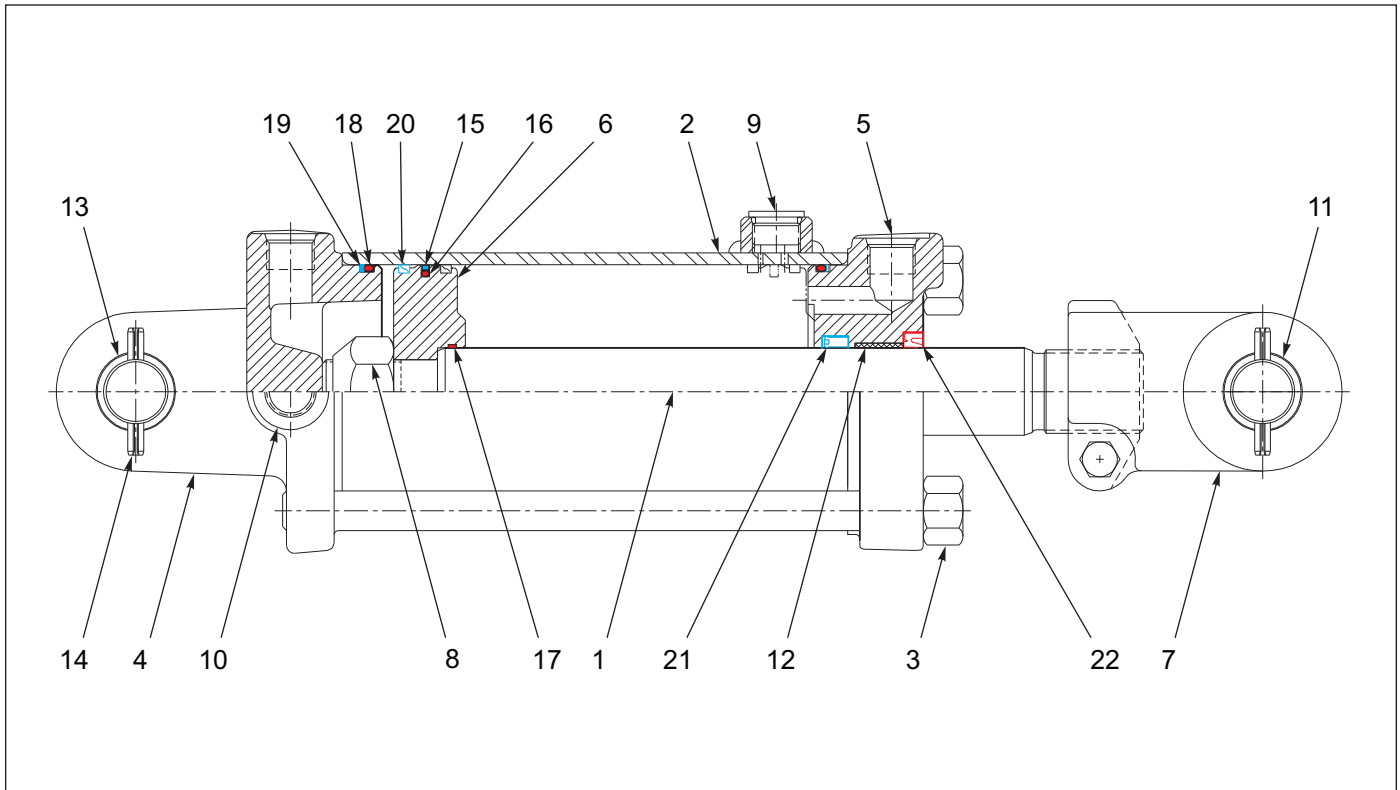


Figure 1-75: Hydraulic Cylinder 4 X 10 Rephase

Hydraulic Cylinder 4 X 10 Rephase

ITEM	PART NUMBER	DESCRIPTION	QTY.
	201275	CYLINDER, REPHASE	--
1	145714	PISTON ROD	1
2	-----	TUBE ASSEMBLY	1
3	-----	TIE ROD ASSY	4
4	-----	BUTT CLEVIS ASSY	1
5	142109	GLAND ASSEMBLY	1
6	147744	PISTON	1
7	-----	CLEVIS ASSY	1
8	220000210	LOCK NUT	1
9	-----	PLUG, PORT	1
10	200300040	PLUG, PORT	3
11	141301	BUSHING	4
12	-----	BUSHING	1
13	143994	CLEVIS PIN	2
14	111789	ROLL PIN	4
15	-----	TEFLON SEAL	1
16	-----	O- RING	1
17	-----	O- RING	1
18	-----	O- RING	2
19	111795	BU- WASHER	2
20	-----	BEARING RING	1
21	-----	U- CUP	1
22	250014137	CANNED WIPER	1
23	147745	PACKING KIT (NOT SHOWN) (ITEMS 15-22)	--

Electrical

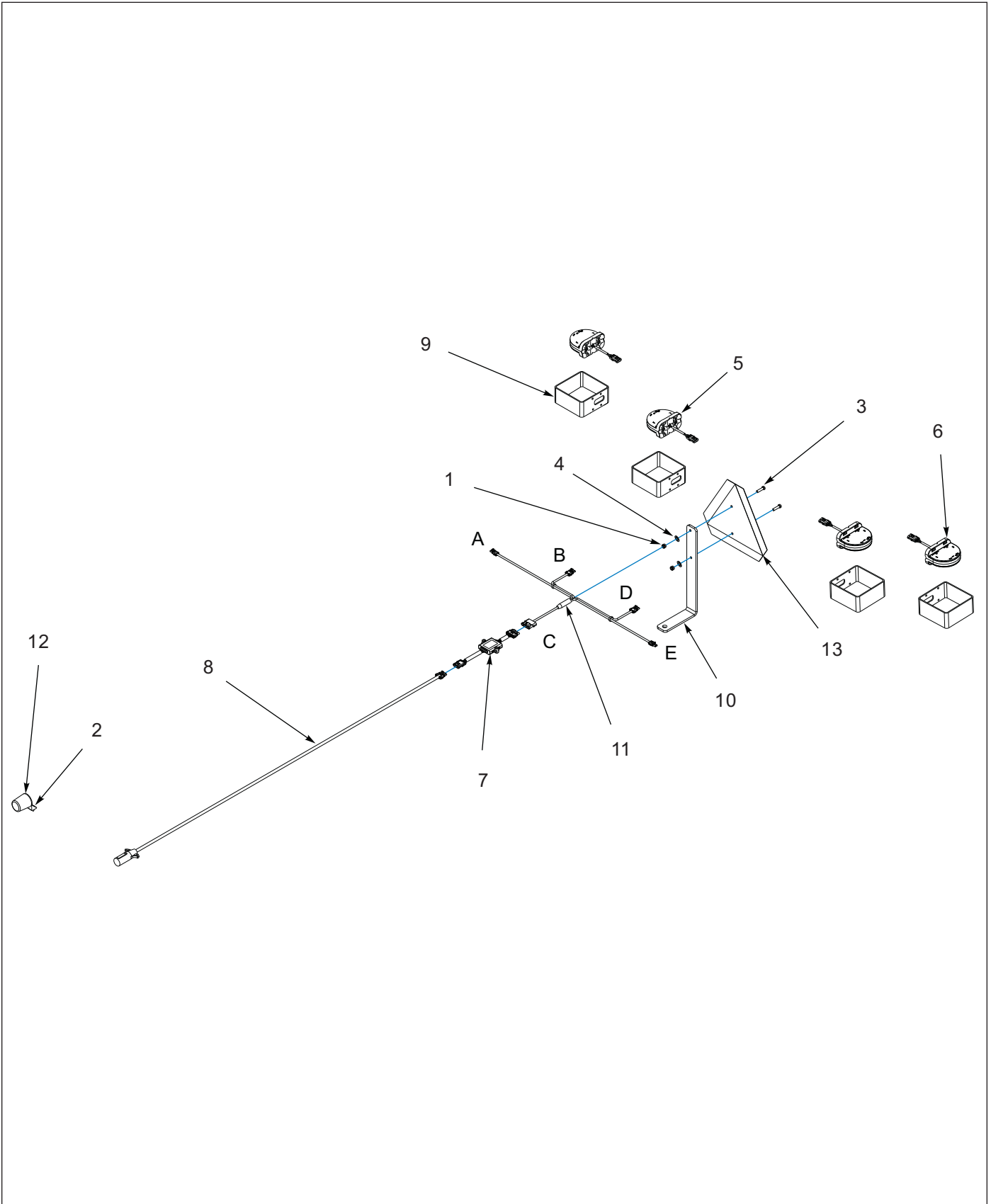


Figure 1-76: Electrical Assembly (1 of 2)

7-PIN CONN.	4-PIN TOWER	CIRCUIT	WIRE COLOR
1	D	GROUND	GROUND
2	–	WORK LAMPS	BLACK ●
3	B	LEFT FLASHING & TURN	YELLOW ●
4	–	STOP LAMPS	RED ●
5	A	RIGHT FLASHING & TURN	GREEN ●
6	–	TAIL LAMPS	BROWN ●
7	C	SWITCHED POWER (12 V)	BLUE ●

MAIN WARNING LIGHT HARNESS - WIRING CHART

	1	2	3	4	5
	2-PIN TOWER	3-PIN TOWER	6-PIN SHROUD	3-PIN TOWER	2-PIN TOWER
● BLACK LEFT TURN			A	C	
● WHITE GROUND	A	A	B	A	A
● BROWN TAIL LIGHT		B	C	B	
● YELLOW LEFT TURN			D		B
● GREEN RIGHT TURN	B		E		
● RED RIGHT TURN			F		

REAR WARNING LIGHT HARNESS - WIRING CHART

Figure 1-77: Electrical Wiring Chart (2 of 2)

Electrical Assembly

ITEM	PART NUMBER	DESCRIPTION	QTY.
	218737	KIT-WARNING LIGHT, 7822	--
1	1-512-010005-01	NUT,HEX,SLFLKG GRB 1/4-20	12
2	1-654-010047-05	SCREW, HX CP 1/4-20UNCx7/8 GR5	2
3	1-654-010047-06	SCREW,HX CP 1/4-20UNCX1 GR5	2
4	1-861-010032-07	WASHER,FLAT 1/4 ZP	2
5	174435	LAMP, AG RED SINGLE LED	2
6	174436	LAMP, AG AMBER SINGLE LED	2
7	174437	MODULE, AG FLASHER CONTROL	1
8	174438	HARNESS, MAIN WARNING LIGHTS	1
9	187689	GUARD-LAMP	4
10	191070	BRACKET, SMV 7831	1
11	195073	HARNESS, REAR WARNING LIGHTS	1
12	2-368-010287	HARNESS, STOR-A-WAY	1
13	70260977	SMV EMBLEM	1
14	1-654-010047-08	SCREW HX CP,1/4-20UNCX1-1/2G5	8
15	1-654-010047-10	SCREW,HX CP,1/4-20UNC X2 GR5	8

Decals

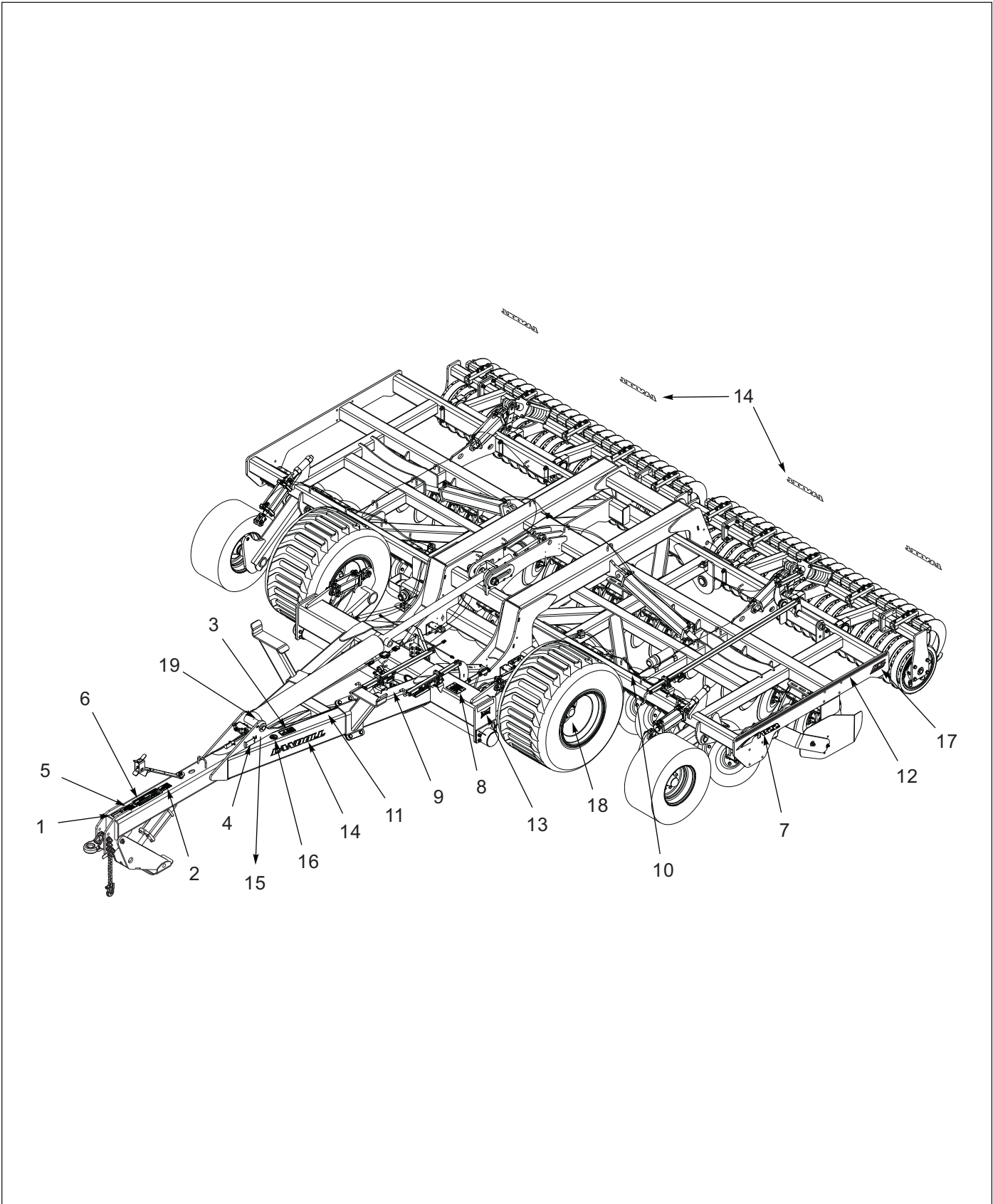


Figure 1-78: Decal Locations

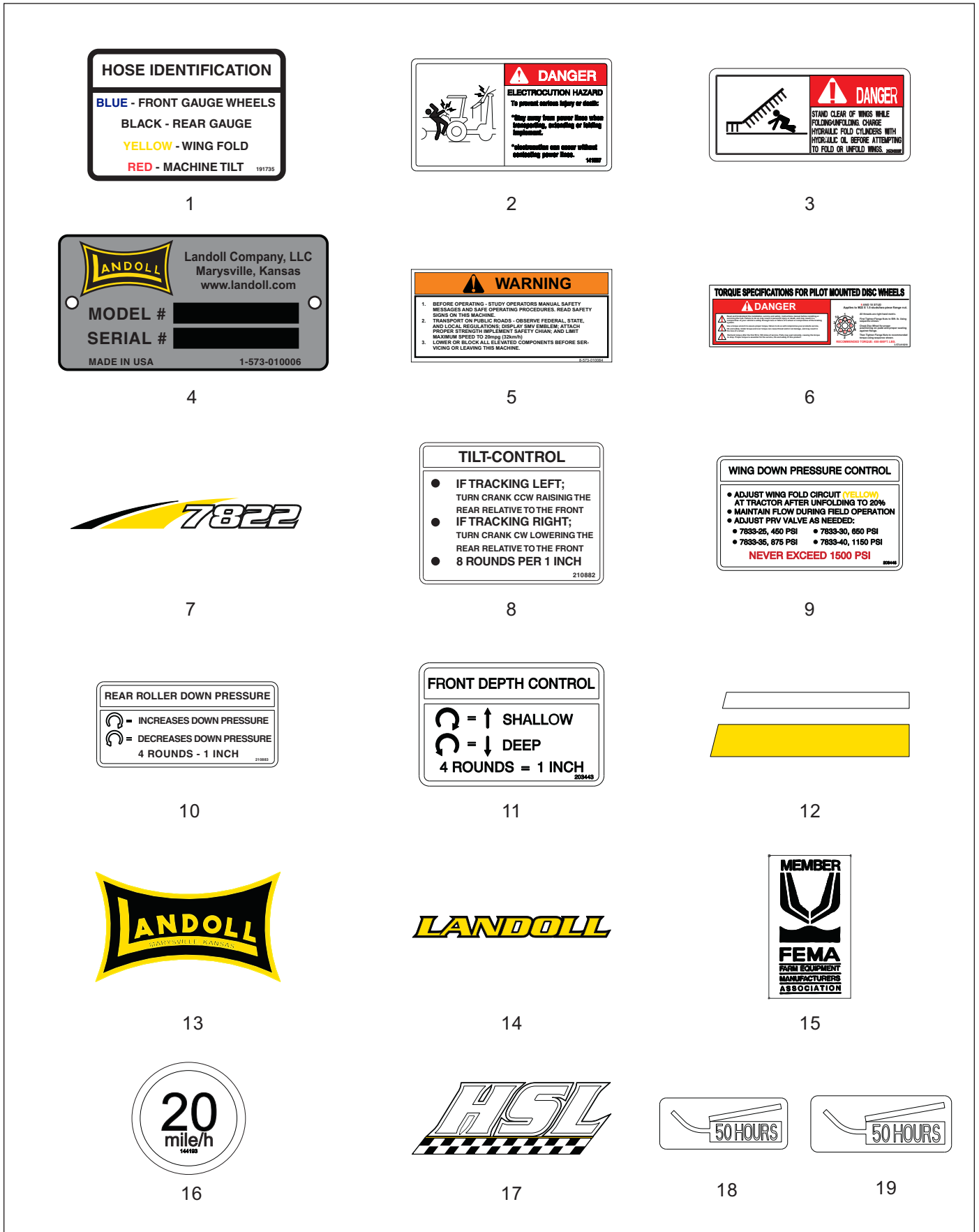


Figure 1-79: Decal

Decals

ITEM	PART NUMBER	DESCRIPTION	QTY.
1	191735	DECAL-7831 HOSE IDENTIFICATION	1
2	141597	DECAL, DANGER ELECTROCUTION	1
3	2-573-010037	DECAL, DANGER, WING	1
4	1-573-010006	PLACARD, NAME	1
5	8-573-010084	DECAL WARNING BEFORE OPERATG	1
6	3-573-010210	DECAL TORQUE SPEC 8-10STU HUB	1
7	217323	DECAL-7822	1
8	203446	DECAL-DRAFT COMP CONTROL 7833	1
9	203445	DECAL-WING DOWN PRESSURE, 7833	1
10	210883	DECAL, REAR ROLLER	1
11	203443	DECAL-DEPTH CONTROL, HSL	1
12	161515	DECAL, STRIPE 1" X 84"	1
13	141259	DECAL, LANDOLL, YELLOW	5
14	141260	DECAL, LANDOLL	1
15	2-573-010198	DECAL, MEMBER FEMA	1
16	144193	DECAL, SIS 20 MPH	1
17	188810	DECAL, HSL	1
18	2-573-010330-02	DECAL, LUBRICATION 10 HOURS	1
19	2-573-010330-03	DECAL, LUBRICATION 50 HOURS	1

For clarity this glossary of industry standard abbreviations and their definitions are provided. For additional information, [See “Instructions For Ordering Parts” on page 1-1.](#)

A

ASM Assembly

B

BATT Battery
BHSC Button Head Socket Cap
BLK Black

C

CB Carriage Bolt
CONN Connector
CRG Carriage
CTSK Countersunk
CTWT Counterweight
CVR Cover
CYD Cylinder

D

DBL Double
DIA Diameter

E

ENCLSD Enclosed

F

FHCS Flanged Head Cap Screw
FHHCS Flanged Hex Head Cap Screw
FL OR FLG Flange
FLT Flat

G

GA Gauge

H

HHCS Hex Head Cap Screw
HCS High Carbon Steel
HD Head
HLCL Helical
HCSKT Hex Socket
HSFC Hex Socket Flat Countersunk
HYD Hydraulic

I

ID Inside Diameter

L

LH Lefthand
LKG OR LOCK Locking
LWR Lower

M

MANF Manifold
MNT Mount

N

NRW Narrow
----- Not Serviced Separately

O

OD Outside Diameter
OHG Overhead Guard
ORFS OR ORS O-Ring Seal
ORP OR ORB O-Ring Boss

P

P-STEER Power Steering
PTFE Polytetrafluoroethylene (Teflon)

GLOSSARY

R

RH Righthand
RND Round

S

SER Series
SHCS Socket Head Cap Screw
SHLD Shield
SKT Socket
SLFLKG Selflocking
SOC Socket
SPDT Single Pole Double Throw
SPR Spring
SQ Square
SRTD Serrated
SSCR Setscrew
SST Stainless Steel
STD Standard

U

UPR Upper

W

WHL Wheel
WLD OR WLDMT Weldment

Numerics

006-115-00	1-37, 1-39	128874	1-7, 1-23
100131	1-41	1-298-010001-1	1-3, 1-41
1-007-010025	1-98, 1-99, 1-100, 1-103	135911	1-112
100809	1-41	137943	1-66, 1-71, 1-73, 1-94, 1-95
100829	1-41	139201	1-7, 1-11, 1-15, 1-19, 1-23, 1-25, 1-29, 1-33
100856	1-83, 1-84	1-397-010301070	1-99
100941	1-72, 1-73	1-397-010301124	1-99
101385	1-11, 1-15, 1-19, 1-25, 1-29, 1-33, 1-41	140191	1-11, 1-15, 1-19, 1-25, 1-29, 1-33
101864	1-87, 1-89, 1-91, 1-93	140306	1-114
102-1333	1-108	1404013	1-39
102209	1-83, 1-84	140477	1-72, 1-73, 1-94, 1-95
102498	1-36	140479	1-72, 1-73
102601	1-36	140480	1-72, 1-73, 1-94, 1-95
103103-002	1-37, 1-39	140519	1-41
103841	1-7, 1-11, 1-15, 1-19, 1-23, 1-25, 1-29, 1-33	1406046	1-99
105106	1-37, 1-39	141151	1-7
105107	1-37, 1-39	141154	1-11, 1-15, 1-19, 1-23, 1-25, 1-29, 1-33
108628	1-21, 1-43, 1-44	141209	1-41
110-4349	1-66, 1-71	141234	1-41
111789	1-112, 1-113, 1-114, 1-115	141249	1-41
111790	1-112, 1-113	141251	1-7, 1-11, 1-15, 1-19, 1-23, 1-25, 1-29, 1-33
111795	1-115	141259	1-122
111871	1-113, 1-114	141260	1-122
111876	1-113, 1-114	141301	1-112, 1-113, 1-114, 1-115
116100	1-7, 1-11, 1-15, 1-19, 1-23, 1-25, 1-29, 1-33	141597	1-122
116490	1-104	141826	1-107
116491	1-100, 1-103	141828	1-98, 1-99, 1-100, 1-103, 1-104, 1-105, 1-107, 1-108
116606	1-109	141882	1-103
117163	1-103	141883	1-103
122709	1-7, 1-23	141887	1-100, 1-103
122766	1-96	141889	1-103
122909	1-105, 1-107	141890	1-103
122917	1-21, 1-43, 1-44	142109	1-112, 1-115
124510	1-98, 1-100, 1-103, 1-104	142110	1-112, 1-113
127712	1-3	142112	1-112, 1-113
		142114	1-112

142115	1-112, 1-113	1-512-010007-07	1-41
142116	1-113	1-512-010007-16 ..	1-7, 1-11, 1-15, 1-19, 1-23, 1-25, 1-29, 1-33
142753	1-7, 1-11, 1-15, 1-19	1-516-010001-20	1-36
143853	1-98, 1-100, 1-103, 1-104, 1-108	1-516-010001-27	1-3
143994	1-112, 1-113, 1-114, 1-115	153696	1-41
144048	1-21, 1-43, 1-44	153827	1-41
144193	1-122	153843	1-105, 1-107
144341	1-3, 1-41	154185	1-66, 1-71, 1-73, 1-94, 1-95
144342	1-107	154186	1-73, 1-94, 1-95
144343	1-103	155528	1-100, 1-103
145130	1-100, 1-103	155529	1-105, 1-107
145201	1-41, 1-100, 1-103, 1-112	155530	1-104
145202	1-103, 1-113	1-557-010362-40	1-41
145714	1-114, 1-115	1-557-010362-51	1-36
146707	1-108	156944	1-107
147072 1-62, 1-63, 1-64, 1-65, 1-67, 1-68, 1-69, 1-70, 1-74, 1-76, 1-77, 1-78, 1-79, 1-80, 1-81, 1-82, 1-87, 1-89, 1-91, 1-93, 1-108		156950	1-41
147741	1-112, 1-113	156972	1-11, 1-15, 1-19, 1-25, 1-29, 1-33, 1-36
147742	1-112, 1-113	156973	1-36
147744	1-112, 1-115	156974	1-36
147745	1-112, 1-115	156979	1-36
147746	1-113	1-573-010006	1-122
147747	1-113	159954	1-11, 1-15, 1-19, 1-25, 1-29, 1-33
147748	1-113, 1-114	159955	1-11, 1-15, 1-19, 1-25, 1-29, 1-33
148142	1-109	159970	1-36
150273	1-103	160693	1-104
1-512-010002-05	1-87, 1-89, 1-91, 1-93	161515	1-122
1-512-010005-01 ..	1-3, 1-7, 1-11, 1-15, 1-19, 1-118	1-630-010021-03	1-21, 1-43, 1-44
1-512-010005-03 ..	1-7, 1-11, 1-15, 1-19, 1-21, 1-41, 1-43, 1-44	164471	1-7, 1-11, 1-15, 1-19
1-512-010005-05 ..	1-3, 1-7, 1-11, 1-15, 1-19, 1-23, 1-25, 1-29, 1-33, 1-41, 1-60	1-647-010004221	1-112, 1-113
1-512-010005-09 ..	1-3, 1-7, 1-11, 1-15, 1-19, 1-23, 1-25, 1-29, 1-33, 1-41	1-647-010004236	1-3, 1-4
1-512-010005-13 ..	1-4, 1-7, 1-11, 1-15, 1-19, 1-41, 1-66, 1-71, 1-74, 1-83, 1-84, 1-87, 1-89, 1-91, 1-93	1-647-010004259 ..	1-3, 1-7, 1-11, 1-15, 1-19, 1-23, 1-25, 1-29, 1-33
1-512-010005-15 ..	1-7, 1-11, 1-15, 1-19, 1-23, 1-25, 1-29, 1-33, 1-41, 1-62, 1-63, 1-64, 1-65, 1-67, 1-68, 1-69, 1-70, 1-76, 1-77, 1-78, 1-79, 1-80, 1-81, 1-82, 1-83, 1-84, 1-87, 1-89, 1-91, 1-93, 1-108	165254	1-37
1-512-010005-19 ..	1-7, 1-11, 1-15, 1-19, 1-23, 1-25, 1-29, 1-33, 1-41, 1-83, 1-84	165257	1-7, 1-11, 1-15, 1-19, 1-41
		165259	1-21, 1-43, 1-44
		165260	1-21, 1-43, 1-44
		165265	1-7, 1-11, 1-15, 1-19, 1-42
		165335	1-105
		1-654-010047-05	1-118

1-654-010047-06	1-7, 1-11, 1-15, 1-19, 1-118	174437	1-118
1-654-010047-07	1-3	174438	1-118
1-654-010047-08	1-118	174523	1-59
1-654-010047-10	1-118	174526	1-59
1-654-010049-03	1-37, 1-39	174532	1-59
1-654-010051-06	1-41	174708	1-21, 1-43
1-654-010051-09	1-3, 1-7, 1-11, 1-15, 1-19, 1-23, 1-25, 1-29, 1-33	174732	1-52, 1-53, 1-54, 1-55, 1-56, 1-57, 1-58
1-654-010051-11	1-41	175283	1-55, 1-58
1-654-010051-13	1-3, 1-11, 1-15, 1-19, 1-25, 1-29, 1-33	175284	1-52
1-654-010055-04	1-3	175329	1-53, 1-56
1-654-010055-10	1-7, 1-11, 1-15, 1-19	175677	1-7, 1-12, 1-16, 1-19, 1-23, 1-25, 1-29, 1-33
1-654-010055-11	1-41	175686	1-7, 1-12, 1-16, 1-20, 1-23, 1-25, 1-29, 1-33
1-654-010055-12	1-7, 1-23	176035	1-3, 1-105, 1-107, 1-110
1-654-010055-15	1-11, 1-15, 1-19, 1-25, 1-29, 1-33	176904	1-83, 1-84
1-654-010059-02	1-52, 1-53, 1-54, 1-55, 1-56, 1-57, 1-58	176999	1-104
1-654-010059-05	1-41, 1-71	177032	1-42
1-654-010059-06	1-3	177389	1-108, 1-111
1-654-010059-07	1-41	177398	1-42
1-654-010059-08	1-7, 1-11, 1-15, 1-19	180483	1-110, 1-111
1-654-010059-15	1-41	181785	1-37, 1-39
1-654-010061-05	1-94, 1-95	181789	1-37, 1-39
1-654-010061-06	1-41, 1-42	181799	1-105, 1-107
1-654-010061-07	1-42	1-822-010001	1-41
1-654-010061-16	1-7, 1-11, 1-25	182288	1-43, 1-44
1-654-010070-05	1-7, 1-11, 1-15, 1-19	182289	1-21, 1-43
1-654-010125-22	1-41	183815	1-7, 1-12, 1-16, 1-20
1-654-010126-05	1-58, 1-83, 1-84	184413	1-8, 1-12, 1-16, 1-20
166717	1-21, 1-43	184585	1-98, 1-99
168456	1-37	184769	1-39
169849	1-108	185677	1-104
171556	1-7, 1-11, 1-15, 1-19, 1-42	185740	1-59
171892	1-7, 1-11, 1-15, 1-19	185742	1-52, 1-53, 1-54, 1-55, 1-56, 1-57, 1-58, 1-59
172802	1-7, 1-15, 1-19, 1-42	185757	1-59
172891	1-3	1-861-010005	1-36
172919	1-7, 1-12, 1-15, 1-19, 1-23, 1-25, 1-29, 1-33	1-861-010032-06	1-39
172973	1-99	1-861-010032-07	1-7, 1-11, 1-15, 1-19, 1-118
174435	1-118	1-861-010032-08	1-7, 1-11, 1-15, 1-19
174436	1-118	1-861-010032-11	1-3, 1-7, 1-11, 1-15, 1-19, 1-23, 1-25, 1-29, 1-33, 1-87, 1-89, 1-91, 1-93
		1-861-010032-15	1-7, 1-11, 1-15, 1-19, 1-23

1-861-010032-18	1-41, 1-66, 1-71, 1-83, 1-84, 1-87, 1-89, 1-91, 1-93	191742	1-66, 1-71
1-861-010032-20	1-7, 1-11, 1-25, 1-41, 1-62, 1-63, 1-64, 1-65, 1-67, 1-68, 1-69, 1-70, 1-76, 1-77, 1-78, 1-79, 1-80, 1-81, 1-83, 1-84, 1-87, 1-89, 1-91, 1-93	191750	1-94, 1-95
1-861-010032-21	1-7, 1-11, 1-15, 1-19, 1-23, 1-25, 1-29, 1-33, 1-108	191751	1-94
1-861-010032-24	1-3, 1-41, 1-62, 1-63, 1-64, 1-65, 1-67, 1-68, 1-69, 1-70, 1-76, 1-77, 1-78, 1-79, 1-80, 1-81, 1-82, 1-83, 1-84, 1-87, 1-89, 1-91, 1-93, 1-108	191752	1-76, 1-87, 1-94
1-861-010034-10	1-37, 1-39	191759	1-62, 1-63, 1-64, 1-67, 1-68, 1-69, 1-72
1-861-010034-11	1-41	191976	1-39
1-861-010034-13	1-3	192522	1-42
1-861-010034-15	1-3, 1-52, 1-53, 1-54, 1-55, 1-56, 1-57, 1-58, 1-96	192584	1-87, 1-96
1-861-010034-17	1-72, 1-73, 1-94, 1-95	192585	1-89, 1-96
1-861-010034-21	1-66, 1-71, 1-73, 1-94, 1-95	192594	1-8, 1-12, 1-16, 1-20
186247	1-99	192890	1-3, 1-8, 1-12, 1-16, 1-20, 1-23, 1-25, 1-29, 1-33
186979	1-52, 1-53, 1-54, 1-55, 1-56, 1-57	192949	1-77
187317	1-3	192951	1-76
187318	1-12, 1-16, 1-20, 1-25, 1-29, 1-33	193699	1-8, 1-12, 1-16, 1-20
187436	1-42, 1-99, 1-109	193730	1-8, 1-12, 1-16, 1-20
187479	1-108	193757	1-8, 1-12, 1-16, 1-20
187632	1-12, 1-16	193758	1-8, 1-12, 1-16, 1-20
187639	1-42	193763	1-8, 1-12, 1-16, 1-20
187642	1-42	193814	1-37, 1-39, 1-42
187645	1-42	194696	1-107
187680	1-108	195009	1-60
187681	1-108	195066	1-62, 1-63, 1-64, 1-65, 1-67, 1-68, 1-69, 1-70, 1-76, 1-77, 1-78, 1-79, 1-80, 1-81, 1-82, 1-87, 1-89, 1-91, 1-93
187684	1-42, 1-108	195073	1-118
187689	1-118	195079	1-71
187692	1-42	195101	1-47
187755	1-62, 1-63, 1-64, 1-65, 1-67, 1-68, 1-69, 1-70, 1-76, 1-77, 1-78, 1-79, 1-82, 1-87, 1-89, 1-91, 1-93	195108	1-98, 1-107
188038	1-8, 1-12, 1-16, 1-20, 1-23, 1-25, 1-29, 1-33	195115	1-8, 1-12, 1-16, 1-20, 1-23, 1-25, 1-29, 1-33
188757	1-59	195116	1-66
188794	1-108	195117	1-66
188810	1-122	195161	1-60
188825	1-72	195162	1-60
191070	1-118	195163	1-60
191735	1-122	195164	1-60
191740	1-66, 1-71	195277	1-8, 1-12, 1-16, 1-20
		195279	1-8, 1-20, 1-23, 1-25, 1-29, 1-33
		195283	1-3
		195647	1-105, 1-107
		196754	1-42

197140	. 1-4, 1-12, 1-16, 1-20, 1-25, 1-29, 1-33, 1-74	201276	... 1-11, 1-15, 1-19, 1-23, 1-25, 1-29, 1-33, 1-103, 1-104, 1-114
198741 1-82	201281 1-42
198745 1-66	201282 1-42
198746 1-64, 1-66	201301 1-96
198750 1-78	201302 1-96
198761 1-94	201303 1-96
198762 1-77, 1-89, 1-94	201337 1-21
198763 1-63	202702-10-8S 1-98, 1-99
198764 1-66	202702-8-6S 1-108
198767 1-63, 1-66, 1-68	202702-8-8S 1-98, 1-99
198772 1-81	202843	... 1-52, 1-53, 1-54, 1-55, 1-56, 1-57, 1-58
198785 1-54, 1-57	202844 1-12, 1-16, 1-20, 1-25, 1-29, 1-33
198879 1-47	203399 1-3
199417 1-62, 1-66	203403 1-96
199418 1-66	203433 1-3
199421 1-80	203443 1-122
199434 1-89	203445 1-122
199436 1-87, 1-89, 1-91, 1-93	203446 1-122
199437 1-87, 1-89, 1-91, 1-93	203450 1-98, 1-99
199466 1-69	203454 1-3
199467 1-71	203467	.. 1-8, 1-12, 1-16, 1-20, 1-98, 1-100, 1-103, 1-104
199469 1-68	203525	1-52, 1-53, 1-54, 1-55, 1-56, 1-57, 1-58, 1-83, 1-84
199470 1-71	2061-8-8S 1-98, 1-100, 1-103
1C380 1-3	206209-8-8S 1-98
1P292 1-105, 1-107	2062-10-8S	. 1-98, 1-99, 1-100, 1-103, 1-104, 1-105, 1-107
200300040 1-111, 1-112, 1-113, 1-114, 1-115	2062-8-8S	.. 1-98, 1-99, 1-100, 1-103, 1-104, 1-107
200775 1-67	206709	1-8, 1-12, 1-16, 1-20, 1-23, 1-25, 1-29, 1-33
200776 1-71	207145 1-83
200793 1-3	207147 1-84
200811 1-96	207151 1-83, 1-84
200814 1-96	207153 1-80, 1-81, 1-83
200818 1-96	207154 1-80, 1-81, 1-82, 1-84
200819 1-91, 1-96	207532 1-4
200823 1-91	207537	1-62, 1-63, 1-64, 1-65, 1-67, 1-68, 1-69, 1-70, 1-76, 1-77, 1-78, 1-79, 1-80, 1-81, 1-82, 1-87, 1-89, 1-91, 1-93
200829 1-42	207564 1-4
201250	1-62, 1-63, 1-64, 1-65, 1-67, 1-68, 1-69, 1-70, 1-76, 1-77, 1-78, 1-79, 1-87, 1-89, 1-91, 1-93	207566 1-4
201274 1-87, 1-89, 1-91, 1-93		
201275	... 1-8, 1-12, 1-16, 1-20, 1-41, 1-100, 1-103, 1-104, 1-115		

207567	1-4	210887 .	1-7, 1-11, 1-15, 1-19, 1-23, 1-25, 1-29, 1-33
207571	1-4	211319	1-107
207577 1-63, 1-64, 1-68, 1-69, 1-74, 1-77, 1-78, 1-81, 1-82, 1-89, 1-91		211320	1-105
207578	1-74	212633	1-47, 1-49, 1-51
207580	1-74	212639	1-47, 1-49, 1-51
207585	1-74	212645	1-47, 1-49, 1-51
207587	1-74	214671	1-95
207590	1-74	214682 1-76, 1-77, 1-78, 1-79, 1-87, 1-89, 1-91, 1-93, 1-95	
208647	1-78, 1-91	214683	1-73
208648	1-94	214684 1-62, 1-63, 1-64, 1-65, 1-67, 1-68, 1-69, 1-70, 1-73	
209162 1-62, 1-63, 1-64, 1-65, 1-67, 1-68, 1-69, 1-70, 1-76, 1-77, 1-78, 1-79, 1-80, 1-81, 1-82, 1-87, 1-89, 1-91, 1-93		214688	1-87
209171	1-4	214689	1-87
209180	1-74	2-150-010008	1-42
209181	1-74	2-150-010174	1-3, 1-42
209182	1-74	215351	1-12, 1-16, 1-20, 1-25, 1-29, 1-33
209183	1-62, 1-67, 1-74, 1-76, 1-80, 1-87	215690	1-87
209184	1-65, 1-70, 1-74, 1-79, 1-93	217287	1-55, 1-56, 1-57
209189	1-12	217288	1-52, 1-53, 1-54
209194	1-8, 1-12, 1-16, 1-20	217299	1-4
209196 1-62, 1-63, 1-64, 1-65, 1-67, 1-68, 1-69, 1-70, 1-76, 1-77, 1-78, 1-79, 1-80, 1-81, 1-82, 1-87, 1-89, 1-91, 1-93		217300	1-74
209219	1-8, 1-16, 1-20	217302	1-8, 1-16, 1-20
209331	1-66, 1-71	217315	1-49, 1-51, 1-55, 1-58
209354	1-44	217316	1-46, 1-47, 1-52
209357	1-44	217317	1-49, 1-56
209366	1-8, 1-12, 1-16, 1-20	217318	1-51, 1-53
209373	1-3, 1-4	217319	1-49, 1-57
209380	1-42	217320	1-51, 1-54
209381	1-42	217321	1-46
209382	1-42	217323	1-122
209392	1-52, 1-53, 1-54, 1-55, 1-56, 1-57	217324	1-3
209393	1-52, 1-53, 1-54, 1-55, 1-56, 1-57	217325	1-16
209436	1-100, 1-103	217326	1-29
210264	1-107	217329	1-15
210265	1-103	217330	1-29
210863	1-44	217331	1-3
210883	1-122	217332	1-41
		217380	1-42
		217396 .	1-8, 1-12, 1-16, 1-20, 1-23, 1-25, 1-30, 1-33

217397	1-3	219540	1-93
217942	1-3	219541	1-93, 1-96
217943	1-3	219542	1-96
217966	1-87, 1-89, 1-91, 1-93	219544	1-79, 1-93, 1-94
217967	1-87, 1-89, 1-91, 1-93	219545	1-94
217989	1-4	219546	1-93
2-181-010001	1-3, 1-8, 1-12, 1-16, 1-20, 1-23, 1-25, 1-29, 1-33	219547	1-46
218701	1-12, 1-16, 1-20	219548	1-47
218702	1-26, 1-30, 1-34	219555	1-46
218705	1-16, 1-20	219556	1-47, 1-49, 1-51
218706	1-21	219578	1-46
218707	1-8, 1-12, 1-16, 1-20, 1-21	219579	1-8, 1-23
218720	1-42	219580	1-8, 1-23
218721	1-42	219901	1-76
218724	1-42	219902	1-80
218735	1-42, 1-98	219903	1-62
218736	1-3	219904	1-67, 1-71
218737	1-118	219905	1-77
218739	1-58	219906	1-81
218748	1-43	219907	1-63, 1-68
218749	1-42, 1-43	219908	1-71
218763	1-44	219909	1-78
218797	1-42	219910	1-82
218798	1-41	219911	1-64
218799	1-42, 1-44	219912	1-69, 1-71
219435	1-74	219914	1-87
219502	1-20	219915	1-89
219503	1-34	219916	1-91
219508	1-12	219937	1-42
219509	1-26	219938	1-41
219512	1-8	219939	1-12
219513	1-23	219943	1-3
219517	1-7	219950	1-8, 1-12, 1-16, 1-20
219518	1-23	219951	1-8, 1-12, 1-16, 1-20
219519	1-11	220000210	1-111, 1-112, 1-113, 1-114, 1-115
219520	1-25	220780	1-46
219521	1-19	220809	1-79
219522	1-33	220811	1-65
219530	1-8	220812	1-70
		220813	1-79

220815 1-65, 1-66

220816 1-66

220818 1-65, 1-70, 1-73

220819 1-73

220821 1-70

221043 1-46

221047 1-46

221050 1-46

221054 1-46

221062 1-58

221066 1-58

221788 1-105, 1-107

223311 1-63, 1-68, 1-77, 1-82, 1-89

223312 1-63, 1-68, 1-77, 1-82, 1-89

223313 1-62, 1-67, 1-76, 1-80, 1-81, 1-87

223314 1-62, 1-67, 1-76, 1-80, 1-81, 1-87

223315 1-64, 1-65, 1-69, 1-70, 1-78, 1-79, 1-91, 1-93

223316 1-64, 1-65, 1-69, 1-70, 1-78, 1-79, 1-91, 1-93

226570 1-41

226579 1-8, 1-12, 1-16, 1-20, 1-23, 1-25, 1-29, 1-33

23085 . 1-8, 1-12, 1-16, 1-20, 1-23, 1-26, 1-30, 1-34

2-368-010287 1-118

2-474-010022 1-98, 1-100, 1-103

250014137 1-114, 1-115

2-573-010037 1-122

2-573-010198 1-122

2-573-010330-02 1-122

2-573-010330-03 1-122

2P793 . 1-8, 1-12, 1-16, 1-20, 1-23, 1-26, 1-30, 1-34

3/4-10X2-1/2CB . . 1-8, 1-12, 1-16, 1-20, 1-23, 1-26,
1-30, 1-34, 1-80, 1-81, 1-82, 1-108

3067 1-37, 1-39

3-573-010210 1-122

3K287 1-42

3P011 1-87, 1-89, 1-91, 1-93

3P079 1-62, 1-63, 1-64, 1-65, 1-67, 1-68, 1-69, 1-70,
1-76, 1-77, 1-78, 1-79, 1-80, 1-81, 1-82, 1-87, 1-89,
1-91, 1-93

5001195 1-107

5013 1-39

5J758 1-76, 1-77, 1-78, 1-79, 1-80, 1-81, 1-82, 1-87,
1-89, 1-91, 1-93

5J768 . 1-62, 1-63, 1-64, 1-65, 1-67, 1-68, 1-69, 1-70

622-3511-010 1-52, 1-53, 1-54, 1-55, 1-56, 1-57, 1-58

70239854 1-8, 1-12, 1-16, 1-20

70260977 1-118

71508992 1-100, 1-103

8-573-010084 1-122

8K047 1-3, 1-4, 1-74

8K756 1-3

F

F 1-2

H

HM212049 1-37, 1-39

HM218248 1-37, 1-39

Revision	Date	Description/Comments
F-1034-0719	07/08/2019	Initial Release - GG
F-1034-0919	08/27/2019	ECN 45170 - Update Rockshafts
F-1034-1019	10/15/2019	ECN 45244 - Update Cylinders
F-1034-1019	10/17/2019	ECN 45359 - Remove P/N 130009, Change Qty 1-512-010005-19
F-1034-0620	06/2020	ECN 45652-Lift Bearing Cap Update ECN 45721 -Wing Hware Change 1-512-010005-19, Add 226579 ECN 45881-Hydraulic Cylinder Service Part Numbers, 8" Rephase ECN 45886-Hydraulic Plug 1-007-010025 ECN 46096- Hub/Spindle 193814 Update
F-1034-0321	03/2021	ECN 47061 - Update Divider-Flow, Hyd P/N



Intertek

Equipment from Landoll Company, LLC. is built to exacting standards ensured by ISO 9001 registration at all Landoll manufacturing facilities.

7822 High Speed Landoll (HSL) Parts Manual

Re-Order Part Number F-1034

LANDOLL COMPANY, LLC.

1900 North Street

Marysville, Kansas 66508

(785) 562-5381

800-428-5655 ~ WWW.LANDOLL.COM



Copyright 2021. Landoll Company, LLC.

“All rights reserved, including the right to reproduce this material or portions thereof in any form.”

