



Parts Manual

Mfg. No: 2691675-00
Conquest, 25 Gross HP Hydro 2WD
SCS-2 and 50" Mower Deck

1692125 - Cart, Dump (10 Cu. Ft.)
1691319SM - Suitcase Weights, 33Lbs.
1692939SM - 50 Lbs. Suitcase Weights.
1693160SM - Rear Wheel Weight, 50 Lbs.
1694155SM - Front Weight Carrier.
1690095SM - Tire Chains (23" Tires).
1694542 - Wide Body Cart Collector.
1695195 - Hitch, Sub Frame, 42" Dozer Blade.
1695196 - Hitch, Sub Frame, 42" Snowthrower.
1695965 - Rear Attachment Kit (Non Suspension).
1696354 - Rear Attachment Kit (Suspension).
1694958 - Grass Mulcher Kit, 50".
1686609 - Leaf Shredder Kit.
1696360-00 - Tiller 36".
1696323YP - Rear Weight Carrier.
1696425-00 - Snowthrower, Single Stage, 42".
1695360-01 - Snowthrower Attachment, Two Stage, 42".
1696358A-00 - Catcher, Clean Sweep Triple.
1694147-01 - Hitch, Dozer Blade.
1695434A-00 - Wide Body Cart Collector Hitch & Tube Kit.
1696450A-01 - Turbo, 44" & 50" Mower Deck w/Steel or Aluminum Spindles.

Not For
Reproduction

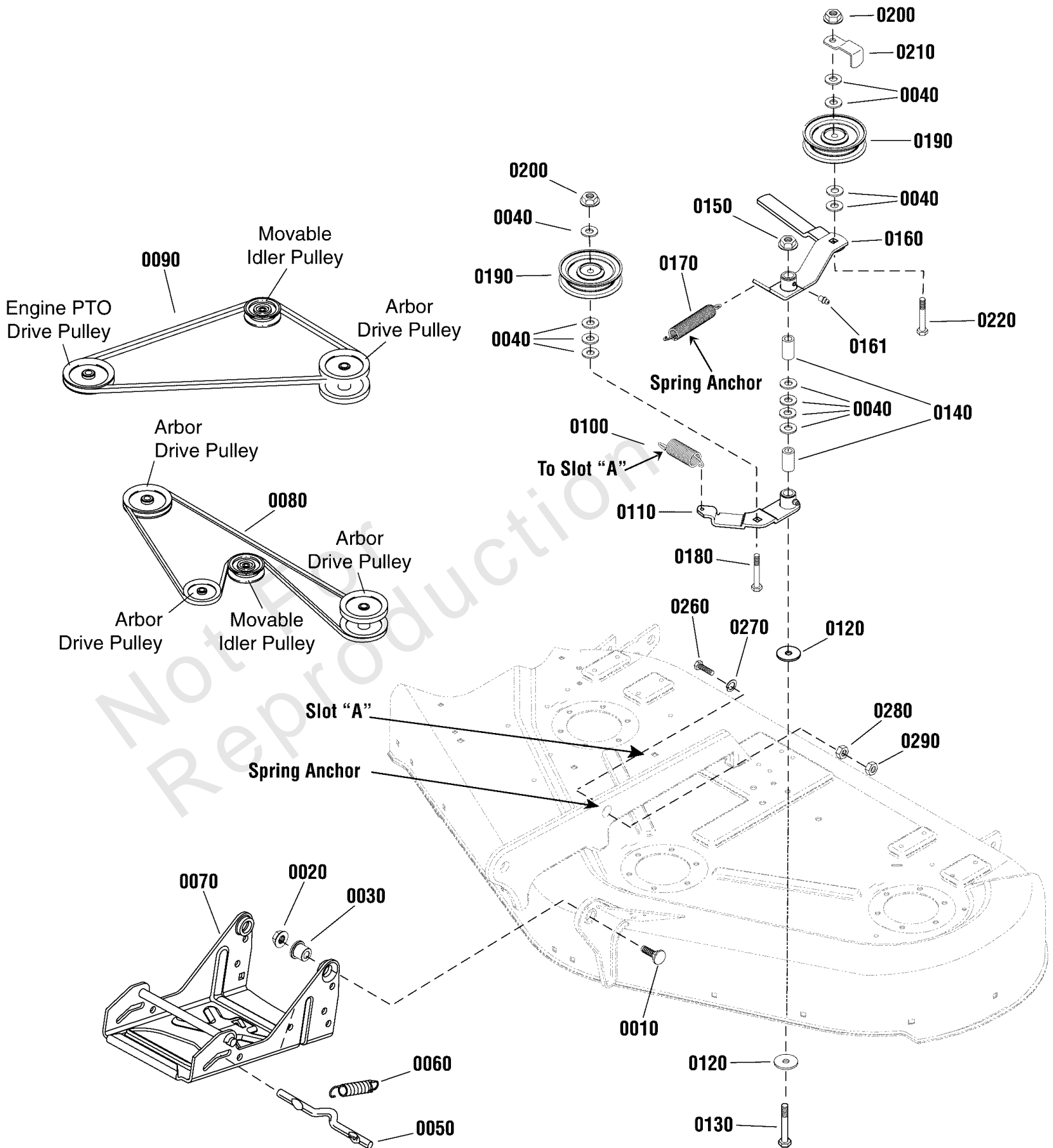
Model Components	Page
50" (127cm) Mower Deck - Clutch & Support Group.....	4
50" (127cm) Mower Deck - Height Adjust & Roller Group.....	6
50" (127cm) Mower Deck - Housing, Arbors & Blades Group.....	10
Cruise Control Group.....	12
Decals Group.....	14
Electric Lift Group.....	16
Electrical Group.....	18
Electrical Schematic -.....	19
Engine Group - 25 Gross HP Briggs & Stratton.....	21
Frame & Front Axle Group.....	23
Hood, Grille & Dash Group.....	25
Rear Suspension Group.....	27
Seat Deck Group.....	29
Seat Group.....	31
Steering Group - Power Steering.....	33
Transmission Group - Tuff Torq K66AS.....	35
Transmission SERVICE PARTS - Tuff Torq K66AS (80082721).....	37
Wheels & Tires Group.....	43
Turbo Blower Group.....	45
Turbo Mounting Group - Aluminum Arbors.....	47
Turbo Mounting Group - Steel Arbors.....	51
Torque Specification Chart.....	55

Not For
Reproduction

50" (127cm) Mower Deck - Clutch & Support Group

Note: Unless noted otherwise, use the standard torque specifications

Mfg. No: 2691675-00



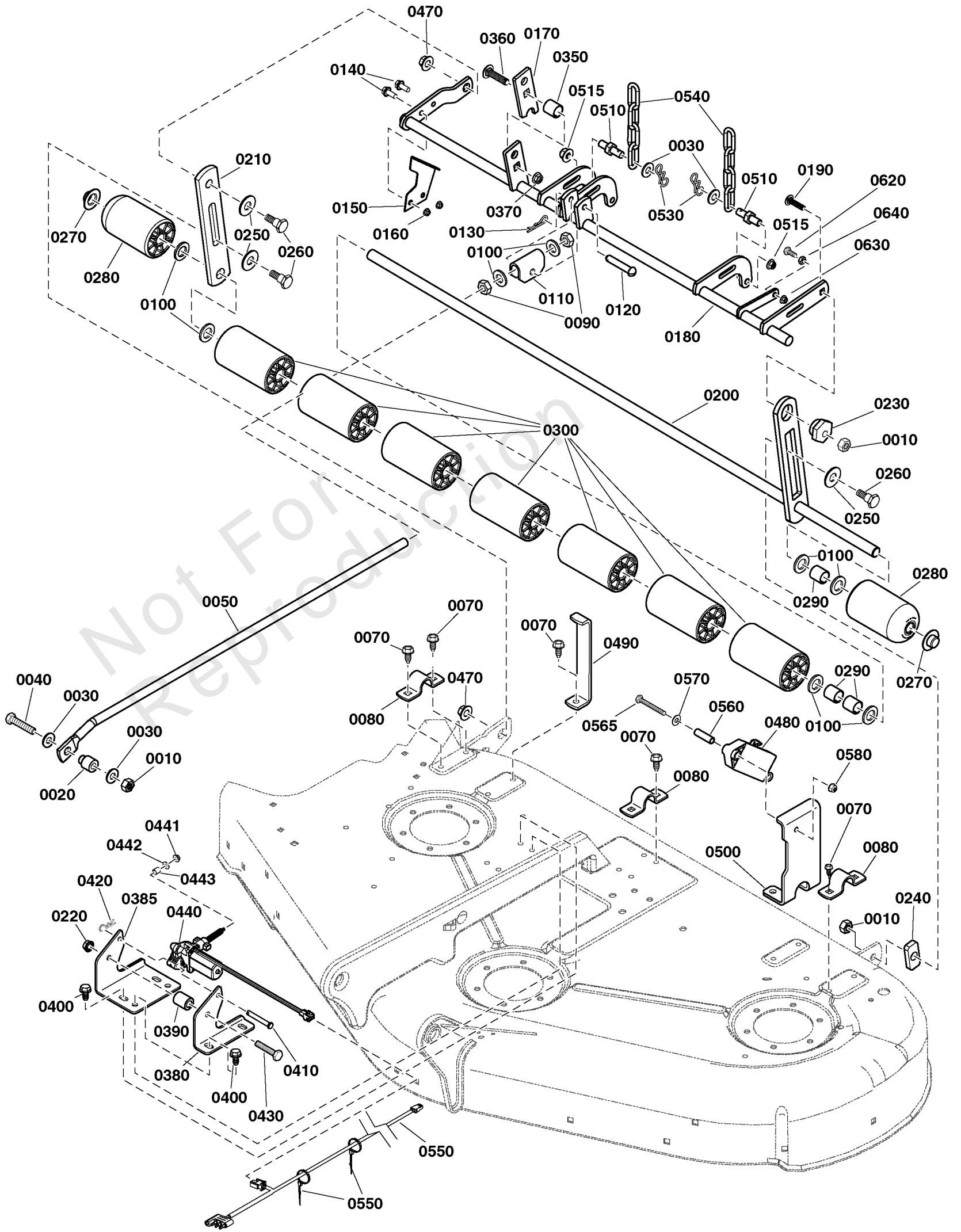
50" (127cm) Mower Deck - Clutch & Support Group

REF NO	PART NO	QTY	DESCRIPTION
0010	1931352SM	2	BOLT, Carriage, Short Neck, 3/8-16 x 1-1/2
0020	703158	2	NUT, Flange, 3/8-16
0030	1732443SM	2	SPACER, 3/8 x 3/4 x 3/4
0040	1924940SM	12	WASHER, 3/8
0050	1715759SM	1	ROD, 3/8 x 8
0060	2156302SM	1	SPRING
0070	1760192AYP	1	HITCH ASSEMBLY
0080	1703836SM	1	V-BELT, Arbor Drive, 50"
0090	1707740SM	1	V-BELT, Mower Drive, 50"
0100	1656936SM	1	SPRING
0110	1718561SM	1	LEVER ASSEMBLY, Idler
0120	703591	2	WASHER, Flat, 13/32 x 1 1/2 x 1/8
0130	703182	1	CAPSCREW, Hex Head, 3/8-16 x 3-1/2
0140	1674669SM	2	SPACER, .39 X 5/8 X 1.15
0150	703893	1	NUT, Hex, Flange, Two Way Lock, 3/8-16
0160	1704658SM	1	LEVER ASSEMBLY, Idler Arm -(Includes Ref. No. 0161)
0161	2812808SM	2	FITTING, Grease
0170	1715435SM	1	SPRING
0180	1960315SM	1	CARRIAGE BOLT, 3/8-16 x 2
0190	1724387SM	2	PULLEY, Idler
0200	703158	2	NUT, Flange, 3/8-16
0210	1677135ASM	1	BELT STOP, Idler
0220	1960315SM	1	CARRIAGE BOLT, 3/8-16 x 2
0260	703570	1	CAPSCREW, Hex Head, 5/16-18 x 1 1/4
0270	703116	1	WASHER, Lock, 5/16
0280	703465	1	NUT, 5/16-18, GR5
0290	703164	1	NUT, Centerlock, 5/16-18

50" (127cm) Mower Deck - Height Adjust & Roller Group

Note: Unless noted otherwise, use the standard torque specifications

Mfg. No: 2691675-00



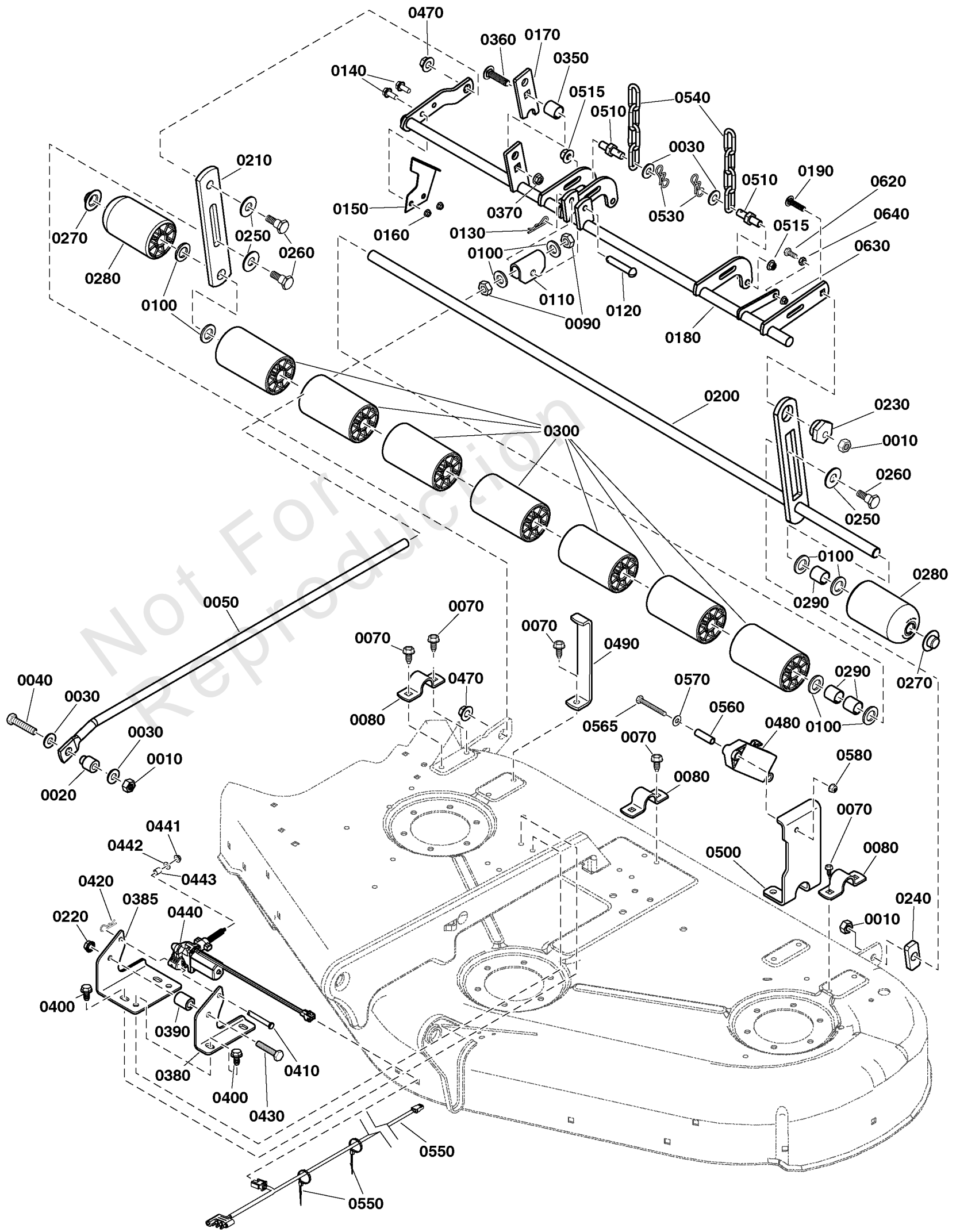
50" (127cm) Mower Deck - Height Adjust & Roller Group

REF NO	PART NO	QTY	DESCRIPTION
0010	2860681SM	3	NUT, Hex Flange, 3/8-16
0020	1706644SM	1	SPACER, .380/.377 I.D. x .750 O.D. x .970 Long
0030	703878	4	WASHER, Flat, 13/32 x 7/8 x .083
0040	1922606SM	1	CAPSCREW, Hex Head, 3/8-16 x 1-3/4
0050	1722995SM	1	ROD, 5/8 x 29-5/8 Long
0070	1664847CAYP	8	SCREW, Hex Washer Head, Taptite, 5/16-18 x 3/4
0080	1665374SM	3	STRAP
0090	703912	2	NUT, Hex, 5/8-11
0100	703580	8	WASHER, 5/8
0110	1706645ASM	1	TRUNNION, Pitch Adjust
0120	2118053SM	1	PIN, Round Head, Drilled, 3/8 x 2, Black
0130	703300	1	PIN, Hair, 3/32 x 1 5/8
0170	1733776AYP	1	ARM, Rear
0180	1756040AYP	1	SHAFT, Rocker
0190	1931352SM	1	BOLT, Carriage, Short Neck, 3/8-16 x 1-1/2
0200	1716155ASM	1	SHAFT & BAR ASSEMBLY, Roller 50" Mower
0210	1704074ASM	1	BAR, Roller 5/16
0220	1927557SM	1	NUT, Hex Flange Lock, Large, 5/16-18
0230	1704082SM	1	NUT, Hex Adjusting, 11/16
0240	1677507SM	1	SLIDE, .803 x 1.7
0250	703451	3	WASHER, Flat, 17/32 X 1 1/4
0260	2172622SM	3	BOLT, Shoulder, 3/8-16 X 1.34, 1/2 Shoulder
0270	1960520SM	2	NUT, Push, 5/8
0280	1722036SM	2	ROLLER, Rounded, 4.1 LG, 650 ID, 2.50 OD Rounded End
0285	1756136AYP	1	BRACKET, Mounting
0290	1709195SM	3	SPACER, .66 X 7/8 X 1 1/4
0300	1668513SM	8	ROLLER, .652 ID, 2.50 OD, 4.10 LG
0350	1602946SM	1	SPACER, .66 ID
0360	1960706SM	1	BOLT, Carriage, Short Neck, 1/2-13 x 2
0370	1960689SM	1	NUT, Hex, Toplock Flange, 1/2-13
0380	1733828ASM	1	BRACKET, Mounting 10GA
0390	1733068SM	1	SPACER, 0.39 x 3/4 x 0.965
0400	703949	4	SCREW, Washer Head, 5/16-18 X 5/8
0410	703063	1	PIN, Sheer, 1/4 X 1 3/4
0420	704039	1	CLIP, Hair Pin
0430	1922127SM	1	SCREW, Hex Head Cap, 5/16-18 x 1 3/4
0440	1753528YP	1	MOTOR, Deck Lift
0441	1960757SM	1	NUT, Hex, 1/4-20 L.H. Thread
0442	1921319SM	1	WASHER, 1/4, x 5/8 OD
0443	5045178SM	1	SPACER, .52 X 1.00 X .75, CZ
0470	1960339SM	2	NUT, Hex Flange, MAC Lock Large, 3/8-16
0480	1750618YP	1	SENSOR, Electric Height Of Cut
0490	1722748ASM	1	BRACKET, Up-Stop, 6" Long
0500	1756064AYP	1	BRACKET, Height of Cut
0510	703816	2	PIN, Threaded, Shoulder
0515	1960687SM	2	NUT, Hex Flange Nylock, ESNA, 3/8-16
0530	1722320SM	2	PIN, Cotter, Locking,
0540	1708088ASM	2	CHAIN, Lift, 4 Link
0550	84003749	1	HARNESS, Mower, EHO
0555	703586	2	TIE, Cable
0560	5101215YP	1	SPACER, 1/4 ID x 3/8 OK x 1-1/4

50" (127cm) Mower Deck - Height Adjust & Roller Group

Note: Unless noted otherwise, use the standard torque specifications

Mfg. No: 2691675-00



50" (127cm) Mower Deck - Height Adjust & Roller Group

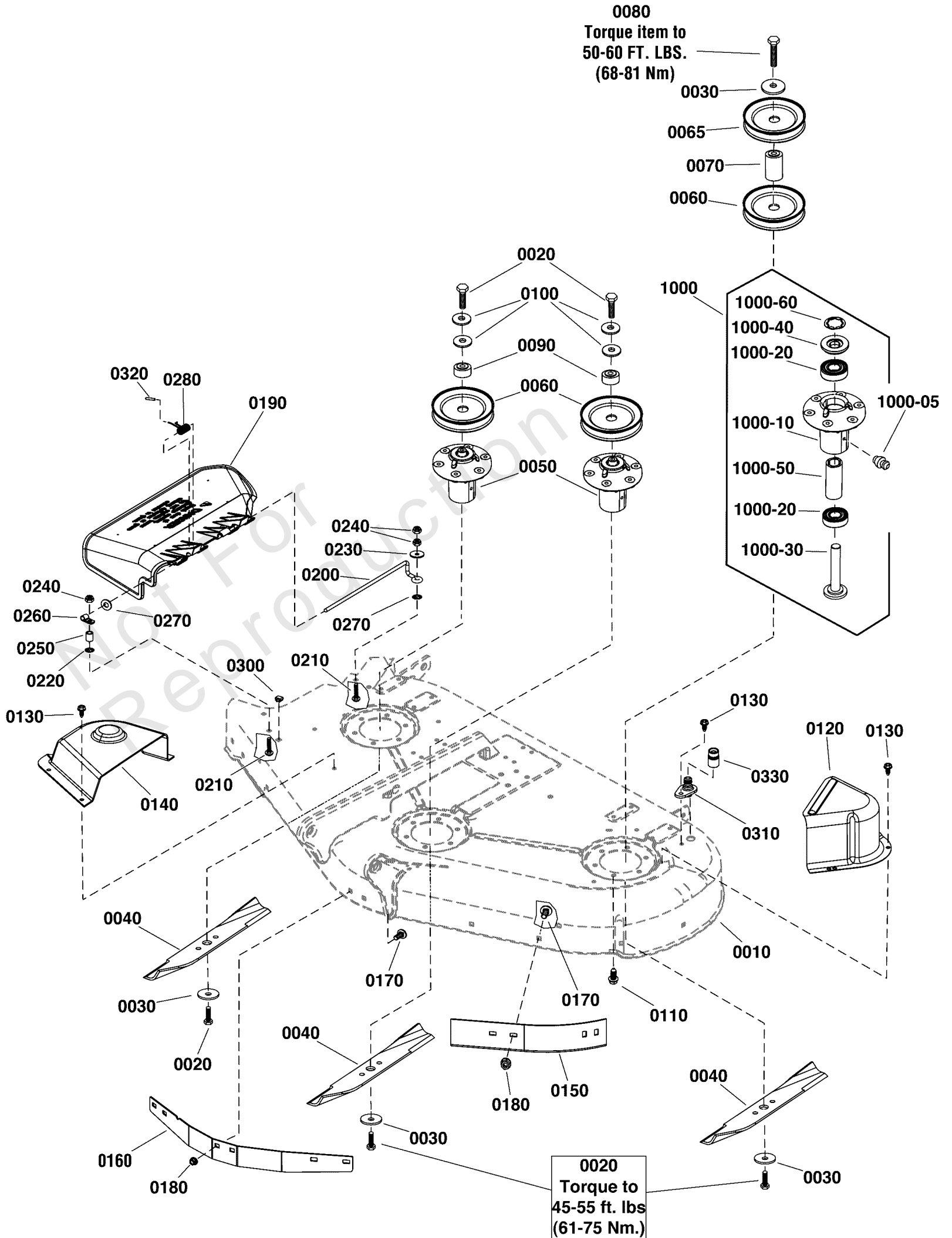
REF NO	PART NO	QTY	DESCRIPTION
0565	1921963SM	1	CAPSCREW, Hex Flange Head, 1/4-20 x 2
0570	703332	1	WASHER, Flat, 1/4
0580	7091584SM	1	NUT, Serrated Flange, 1/4-20, GR5
0620	5025011X18SM	1	BOLT, 5/16-18 X 2-1/4" GD5 YZ
0630	703115	1	NUT, Flange Nylock, 5/16-18
0640	5025388YP	1	NUT, Hex Jam, 5/16-18

Not For Reproduction

50" (127cm) Mower Deck - Housing, Arbors & Blades Group

Note: Unless noted otherwise, use the standard torque specifications

Mfg. No: 2691675-00



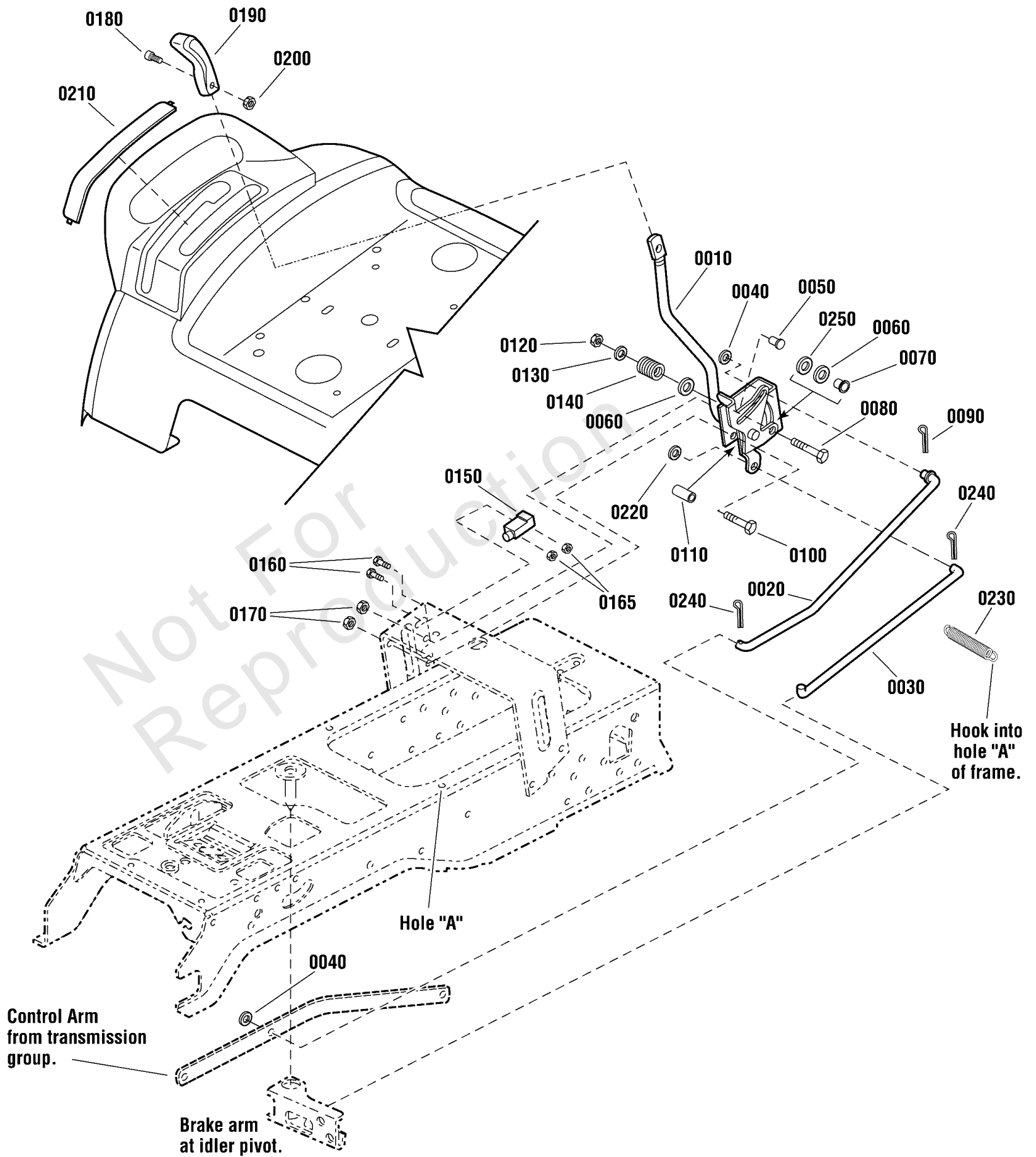
50" (127cm) Mower Deck - Housing, Arbors & Blades Group

REF NO	PART NO	QTY	DESCRIPTION
0010	770595	1	DECK, Mower, 50", Orange
0020	2820676SM	5	CAPSCREW, Hex Head, 7/16-14 X 1
0030	1656916SM	4	WASHER, Spring
0040	1726453ASM	3	BLADE, Mower 50", Center & L.H.
0060	1755470YP	3	PULLEY, Deep Groove, 4 1/4
0065	1732951SM	1	PULLEY, .68" Deep-Groove OD 4.6"
0070	1755439YP	1	HUB, Pulley Double
0080	705439	1	CAPSCREW, Hex Head, 7/16-14 X 3 1/4
0090	1735579YP	2	SPACER, Lower Drive
0100	1960769SM	4	WASHER, Belleville
0110	704146	18	SCREW, Hex Washer Head, Taptite, 5/16-18 x 1
0120	1720560ASM	1	COVER, Arbor LH
0130	703228	10	SCREW, Washer Head Taptite, 5/16-18 X 3/4
0140	1715673SM	1	COVER, Arbor (RH)
0150	1724538ASM	1	BAFFLE, Blowout, Short
0160	1734181ASM	1	BAFFLE, Front
0170	703125	3	BOLT, Carriage, 5/16-18 x 5/8, GR5
0180	1927557SM	3	NUT, Hex Flange Lock, Large, 5/16-18
0190	1705449SM	1	DEFLECTOR, Discharge
0200	1706709SM	1	ROD, Deflector
0210	1931320SM	2	BOLT, Carriage, Short Neck, 1/4-20 x 1-1/4, G5
0220	1960674SM	2	NUT, Push Pal 1/4 Diameter Thread
0230	703229	1	WASHER, 1/4 x 27/32
0240	1920397SM	3	NUT, Hex Lock, ESNA Light, 1/4-20
0250	1710703SM	1	SPACER, 3/8 x 1/2 x 5/8
0260	1704873SM	1	CLAMP, Wire, 5/16 Diameter
0270	1919326SM	1	WASHER, 5/16
0280	1759750YP	1	SPRING, Deflector
0300	1705115SM	1	PLUG, Button
0310	1735716YP	1	ADAPTER, Washout Port
0320	1723323SM	1	CAP, Spring End
0330	1756246YP	1	CONNECTOR, Washout Port
1000	84003172	3	ARBOR ASSEMBLY
1000-05	1704314SM	1	FITTING, Lube, 1/4
1000-10	84003653	1	HOUSING, w/Lube Fitting
1000-20	84003165	1	SHAFT, Spindle
1000-30	1735399YP	2	BEARING, Ball, 20mm
1000-40	84003166	1	SHIELD, Arbor
1000-50	84003167	1	SPACER, Bearing
1000-60	1960766SM	1	RING, Self Locking

Cruise Control Group

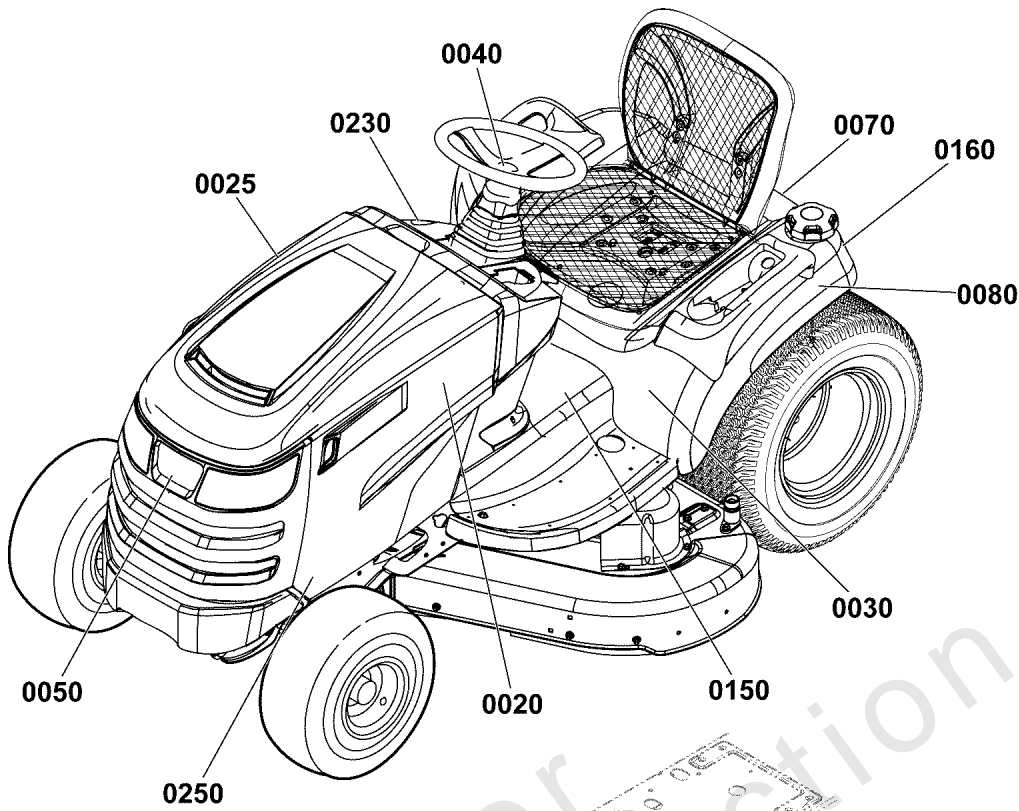
Note: Unless noted otherwise, use the standard torque specifications

Mfg. No: 2691675-00



Cruise Control Group

REF NO	PART NO	QTY	DESCRIPTION
0010	1722003AYP	1	LEVER & BRACKET ASSEMBLY, Cruise
0020	1722117SM	1	ROD, Cruise
0030	1733719SM	1	ROD, Return
0040	1960103SM	3	WASHER, 3/8"
0050	1931333SM	1	BOLT, Carriage, 5/16-18 x 3/4
0060	2826192SM	2	WASHER, 1/2
0070	1709043SM	1	SPACER, w/Flange, 11/32 x 15/32 x 3/4
0080	1931342SM	1	BOLT, Carriage, 5/16-18 x 2-3/4
0090	1918447SM	1	PIN, Cotter
0100	1960273SM	1	BOLT, Carriage, 5/16-18 x 2-1/4
0110	1722080SM	1	SPACER, .357 x 5/8 x 1.4
0120	1919438SM	1	NUT, Hex Lock ESNA Light, 5/16-18
0130	1919381SM	1	WASHER, 5/16
0140	1677746SM	1	SPRING, Compression
0150	1717050SM	1	SWITCH, Push, Neutral Start, Gray
0160	1933737SM	2	SCREW, Hex Washer Head, 10-24 x 5/8
0165	1960591SM	2	NUT, Hex, 10-24
0170	1960636SM	2	NUT, Hex KEPS, 5/16-18
0180	1960666SM	1	SCREW, Torque Head Plus Socket Head, 1/4-20 x 7/8
0190	1722303SM	1	HANDLE, Cruise
0200	1920397SM	1	NUT, Hex Lock ESNA Light, 1/4-20
0210	1722314SM	1	COVER, w/Cruise Icon
0220	704015	1	WASHER, Flat, 5/16
0230	2159106SM	1	SPRING, Cruise Return to Frame
0240	1722460SM	2	PIN, Quick
0250	1705928SM	1	DISK, Friction -(-Used before serial Nos 2017753000)



<p>Amputation hazard Rotating blades cut off arms and legs.</p> <ul style="list-style-type: none"> • Stop the mower when children or others are near. • Do not carry riders especially children over with the blades off. They may fall off or return to another side when you are not expecting it. • Lock down and behind before and while backing. 	<p>Loss of control and roll-over hazard Operating on slopes can be hazardous and cause loss of control and roll-overs.</p> <ul style="list-style-type: none"> • Avoid sudden turns or rapid speed changes. • Reduce speed and use extreme caution on slopes. • Do not operate on slopes over 10 degrees. • If machine stops while going uphill, stop the blades and back down slowly. 	<p>Water, retaining walls and drop-off hazards Wheels dropping over edges may result in serious injury, death or drowning.</p> <ul style="list-style-type: none"> • Do NOT operate near water, retaining walls or drop-offs. • Give yourself a minimum of two meter width of clearance around these hazards.
<p>WARNING</p> <p>Avoid serious injury or death Read the operator's manual before using this product.</p> <ul style="list-style-type: none"> • Do NOT operate this machine unless you are trained. • Know the location and function of all controls. • Keep safety devices (guards, shields, switches, etc.) in place and working. • Remove objects that could be thrown by the blades. • Be sure blades and engine are stopped before loading, unloading, or fueling. • When leaving machine, shut off, remove key and set parking brake. 		
<p>Fire hazard Gasoline is flammable. Hot debris is combustible.</p> <ul style="list-style-type: none"> • Allow engine to cool for at least 3 minutes before refueling. • Keep unit clear of debris. • This equipment may create sparks that can start fires around dry vegetation. A spark arrester may be required. Contact local fire agencies for regulations relating to fire prevention requirements. 		

0150

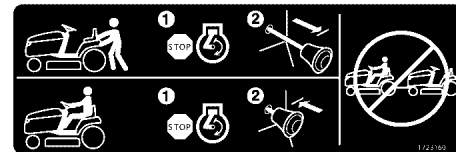
⚠ DANGER

Amputation and thrown objects hazard

- Keep hands and feet away from deck.
- Do not operate mower unless discharge chute or entire grass catcher is in its proper place.

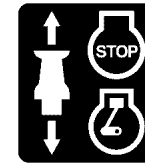
7101655

1010



0160

0010
EVAP decal
placed next
to serial label



0230

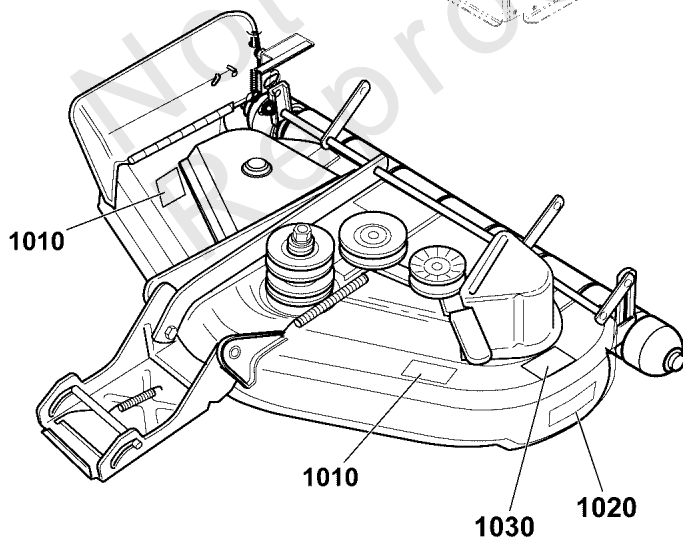
TOUCH-UP PAINT PART NUMBERS

13 Oz. Spray Can Paint	1685611
Deep Orange	1687192
Textured Black	

0190



0250



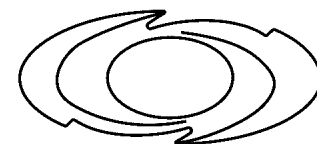
0040



0020 / 0025



0030



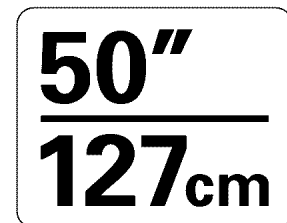
0050



0060



0070



1030



1020



0080

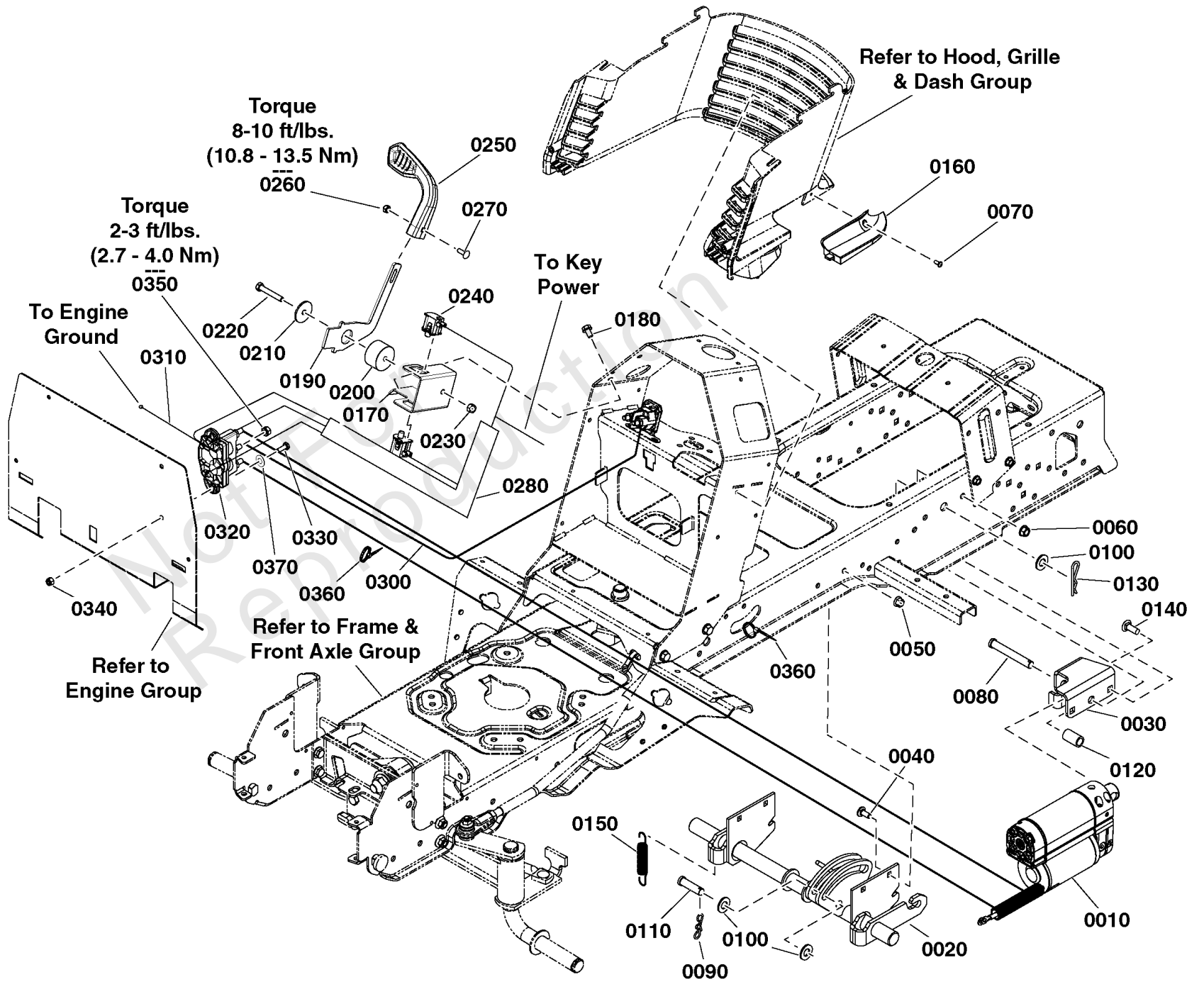
Decals Group

REF NO	PART NO	QTY	DESCRIPTION
0010	-----	1	DECAL, EVP, 49 State
0020	1755902YP	1	DECAL, Logo, Simplicity, LH
0025	1755903YP	1	DECAL, Logo, Simplicity, RH
0030	772330	1	DECAL, Conquest
0040	1755843YP	1	DECAL, Logo, Steering Wheel
0050	1755798YP	1	DECAL, 3D, Logo, Simplicity
0060	1757673YP	1	DECAL, Model, SMI Logo 10.47" Long
0070	84004399	1	DECAL, Automatic Controlled Traction
0080	84004401	1	DECAL, Power Steering
0150	1755389YP	1	DECAL, Tunnel Cover Danger Slopes
0160	1723160SM	1	DECAL, Transmission Release Valve
0190	1720454SM	1	DECAL, Hood (Underside), Touch-Up Paint, Simplicity & AGCO-Allis
0230	84003695	1	DECAL, KEY FOB, CONTROL
0250	1758877YP	1	DECAL, SCS
1010	7101665YP	2	DECAL, Danger
1020	1755726YP	1	DECAL, Free Floating Deck
1030	1755720YP	1	DECAL, MOWER WIDTH 50IN/127CM

Electric Lift Group

Note: Unless noted otherwise, use the standard torque specifications

Mfg. No: 2691675-00



Electric Lift Group

REF NO	PART NO	QTY	DESCRIPTION
0010	84003773	1	ACTUATOR
0020	84003699	1	ACTUATOR
0030	84003751	1	SUPPORT
0040	703185	4	BOLT, Carriage, 5/16-18 X 3/4
0050	703115	4	NUT, Flange Nylock, 5/16-18
0060	703333	2	NUT, 3/8-16, Flanged Lock, GR5
0070	1739329YP	1	SCREW, PT Thread, 5mm Dia. x 12mm
0080	1725223SM	1	PIN, Clevis
0090	1722320SM	1	PIN, Cotter, Locking,
0100	704123	3	WASHER, 1/2 Flat
0110	84005130	1	PIN, Clevis
0120	84003784	1	SPACER
0130	1960033SM	1	CLIP, Hair Pin
0140	703815	2	BOLT, Carriage, 3/8-16 X 1
0150	2156302SM	2	SPRING, Extension
0160	1755441YP	1	PLUG, Dash Lift
0170	84003957	1	BRACKET
0180	703985	2	SCREW, Hex Washer Head, Taptite, 5/16-18 x 1/2
0190	84003776	1	LEVER
0200	84004945	1	SPACER
0210	1920283SM	1	WASHER, Flat, 11/32 x 1-1/2 x 7/64
0220	703867	1	CAPSCREW, Hex Head, 5/16-18 x 2, GR5
0230	703902	1	NUT, Hex Nylock, 5/16-18
0240	84003777	2	SWITCH
0250	84003726	1	HANDLE
0260	84004946	1	NUT, Acorn, 1/4-20
0270	703584	1	BOLT, Carriage, 1/4-20 x 1
0280	84003775	1	HARNESS
0300	84004339	1	CABLE, Power
0310	84003740	1	CABLE
0320	84003769	1	CONTACTOR
0330	703925	2	CAPSCREW, Hex Head, 1/4-20 x 5/8, GR5
0340	703232	2	NUT, Hex Lock, 1/4-20, ESNA
0350	2860750SM	4	NUT, Hex Lock, KEPS, 5/16-24
0360	703586	1	TIE, Cable
0370	703332	2	WASHER, Flat, 1/4

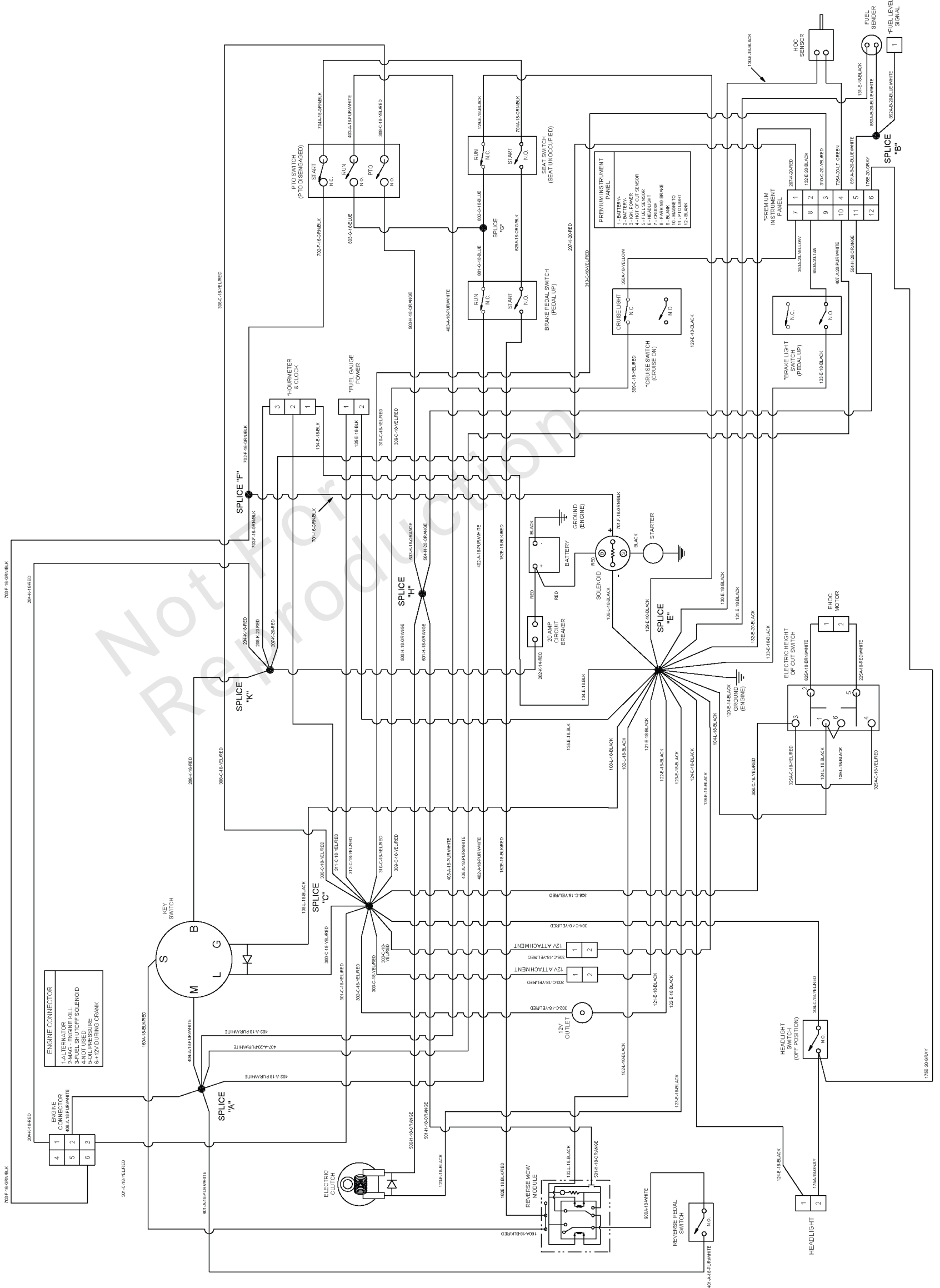
Electrical Group

REF NO	PART NO	QTY	DESCRIPTION
0010	-----	1	BATTERY, WET (BCIU1, 340 CCA)
0020	1755468YP	1	CABLE, Electric, #6 X 8", Red
0030	1721830SM	1	CABLE, #6 25.0 Lg Red
0040	1755469YP	1	CABLE, Electric, #6 X 17.5", Black
0050	1677296SM	1	BOOT, Insulator, Battery Terminal PVC Red
0060	1713535SM	1	BOOT, Insulator, Red
0110	772333	1	SOLENOID, Starter
0120	84002206	2	KIT, Accessory
0130	1665238SM	1	BREAKER, Circuit, 12Volt, 20 AMPS W/Tab
0140	2860750SM	2	NUT, Hex Lock, KEPS, 5/16-24
0150	1722009SM	1	STRAP, Rubber, 13"
0160	84003725	1	BEZEL
0191	1739329YP	2	SCREW, PT Thread, 5mm Dia. x 12mm
0200	1755165YP	1	PANEL, Instrument
0210	1739681BMYP	1	BRACKET, Instrument Panel
0220	67885GS	2	NUT, Nylock, M6-1.0
0230	1737523YP	1	SENDER, Fuel Tank
0240	2860665SM	5	SCREW, Pan Head, Torx, 10-32 x 1/2
0270	1722309SM	1	PLUG, Hole 3", Round
0280	1725302SM	1	OUTLET, 12 Volt
0290	1665237SM	1	WIRE, 12 Gauge, 7.9 LG
0300	84003739	1	HARNESS, Main
0310	7022886YP	2	SWITCH, DP, NO/NC, Snap-In
0330	1761897YP	1	SWITCH, Reverse Mow Option
0350	1761475YP	1	SWITCH, Height of Cut
0360	1757736YP	1	SWITCH, PTO
0370	1757737YP	1	SWITCH, Headlight
0390	84003613	1	SWITCH ASSEMBLY, Push Button Start
0440	703586	8	TIE, Cable
0740	1759981YP	1	HARNESS, Fuel Shut Off
0750	84003694	1	ADAPTER, Harness
0760	84003744	1	HARNESS, Headlight
0770	84004739	1	BOOT, Insulator, Red

Electrical Schematic -

Note: Unless noted otherwise, use the standard torque specifications

Mfg. No: 2691675-00



Electrical Schematic -

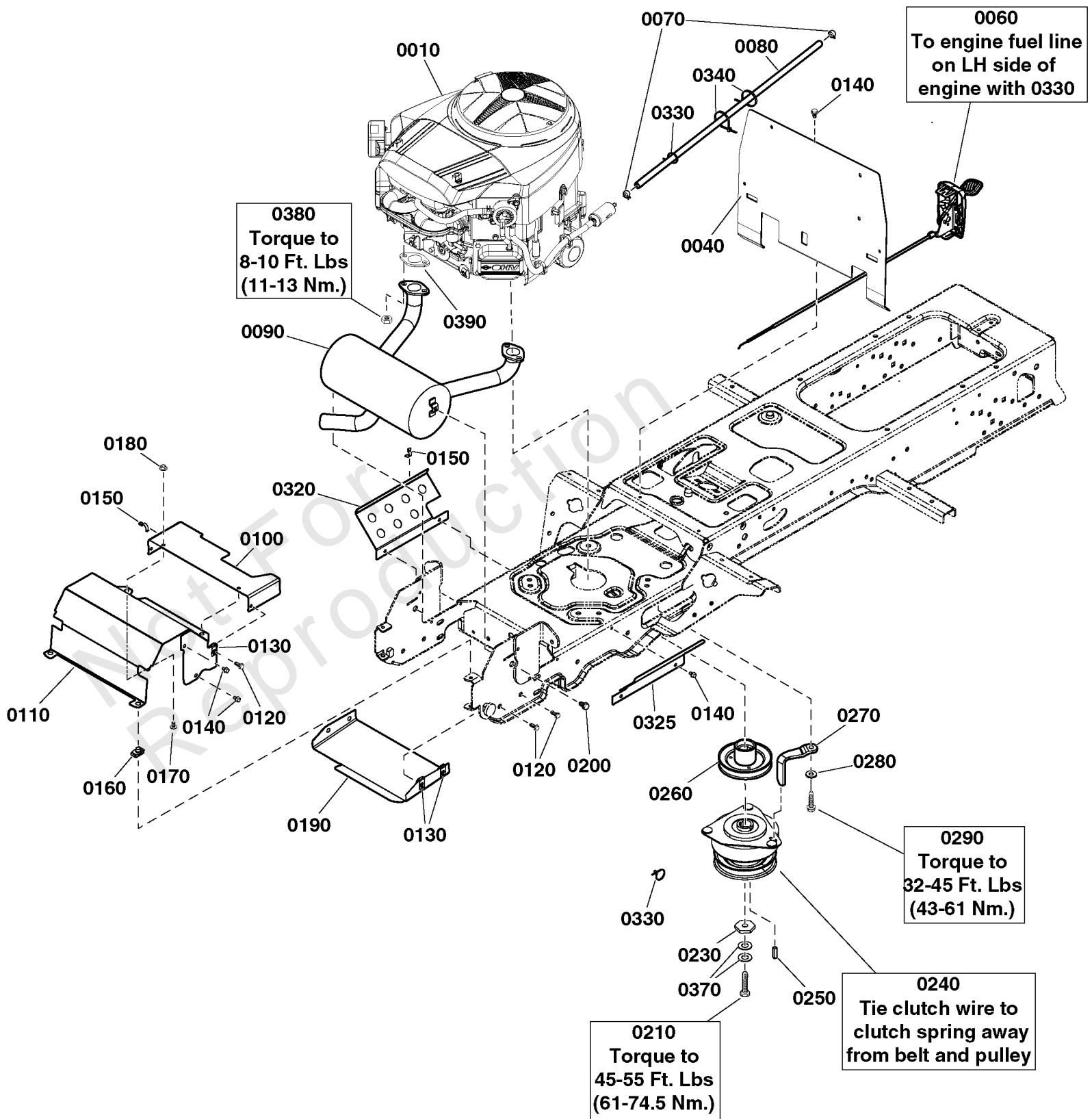
REF NO	PART NO	QTY	DESCRIPTION
0010	84003739	1	HARNESS, Main

Not For Reproduction

Engine Group - 25 Gross HP Briggs & Stratton

Note: Unless noted otherwise, use the standard torque specifications

Mfg. No: 2691675-00



Engine Group - 25 Gross HP Briggs & Stratton

REF NO	PART NO	QTY	DESCRIPTION
0010	44T977-0040-G1	1	* ENGINE, 25 Gross HP Briggs & Stratton -(Engine Model: 44T977-0040-G1)
0040	1755854AYP	1	FIREWALL, Engine
0060	1754915YP	1	THROTTLE
0070	93053B	2	CLAMP, Hose
0080	199086X46YP	1	HOSE, Fuel
0090	1721706SM	1	MUFFLER, Briggs & Stratton, INTEK Twin
0100	1722390ASM	1	DUCT, Muffler Extension
0110	1722389ASM	1	DUCT, Muffler, Top
0120	1960295SM	6	CAPSCREW, Hex Flange, Whiz Lock, 1/4-20 x 5/8
0130	1960368SM	6	NUT, Speed Lug Type, 1/4-20
0140	1927428SM	8	CAPSCREW, Hex Washer Head Taptite, 1/4-20 x 3/8
0150	703176	2	CLIP, Wire
0160	1935255SM	2	NUT, Speed, Lug Type, 5/16-18
0170	5025299X4SM	2	SCREW, ALLEN HEAD 1/4-20 X .500 ZINC PHOS
0180	703233	2	NUT, Serrated, Flange, 1/4-20, GR5
0190	1722414ASM	1	SHIELD, Muffler Bottom
0200	1924856SM	2	SCREW, Hex Washer Head, Taptite, 5/16-18 x 1/2
0210	771023	1	CAPSCREW, Hex Head, Loctite, 7/16-20 x 3 1/2
0230	1708264SM	1	WASHER, Hex
0240	1736105SM	1	CLUTCH, Ogura
0260	1732576SM	1	PULLEY & HUB ASSEMBLY, Engine
0270	1737421AYP	1	GUIDE, Belt
0280	1924940SM	1	WASHER, 3/8, .41 ID x .87 OD x .08 THK
0290	704010	4	CAPSCREW, Hex Head, Taptite, 3/8-16 x 1-1/2
0320	84004681	1	SHIELD, RH
0325	1722392ASM	1	SHIELD, Side, Heat
0330	2832747SM	2	TIE, Self Locking, 3-5/8 LG
0340	703586	1	TIE, Cable
0370	1960769YP	2	WASHER, Belleville
0380	690941	1	NUT
0390	593676	1	GASKET SET, Engine

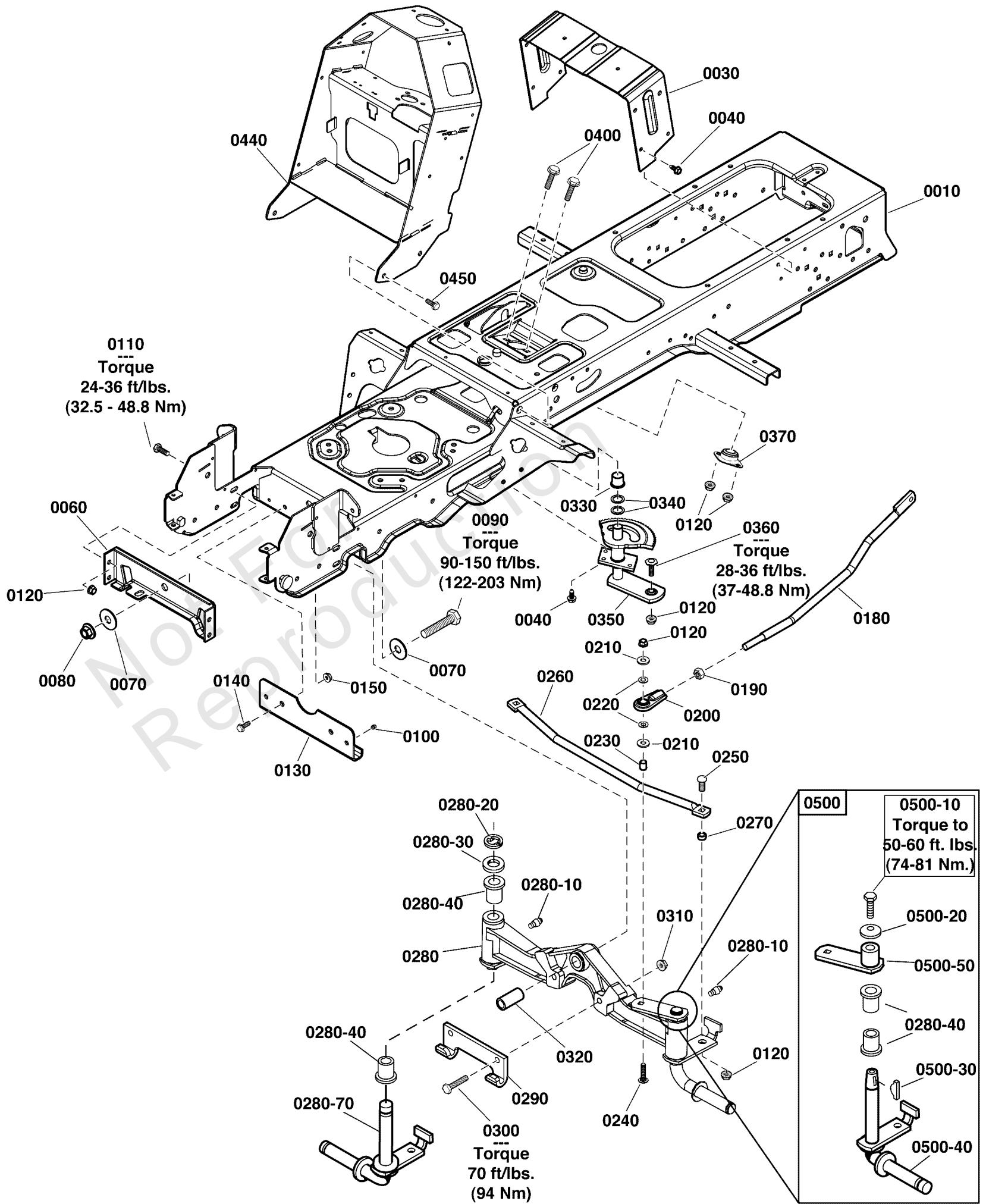
Footnotes:

Note:* To verify your specific engine model, please reference the ID Tag located on your engine. See your local Briggs & Stratton distributor for parts and service.

Frame & Front Axle Group

Note: Unless noted otherwise, use the standard torque specifications

Mfg. No: 2691675-00



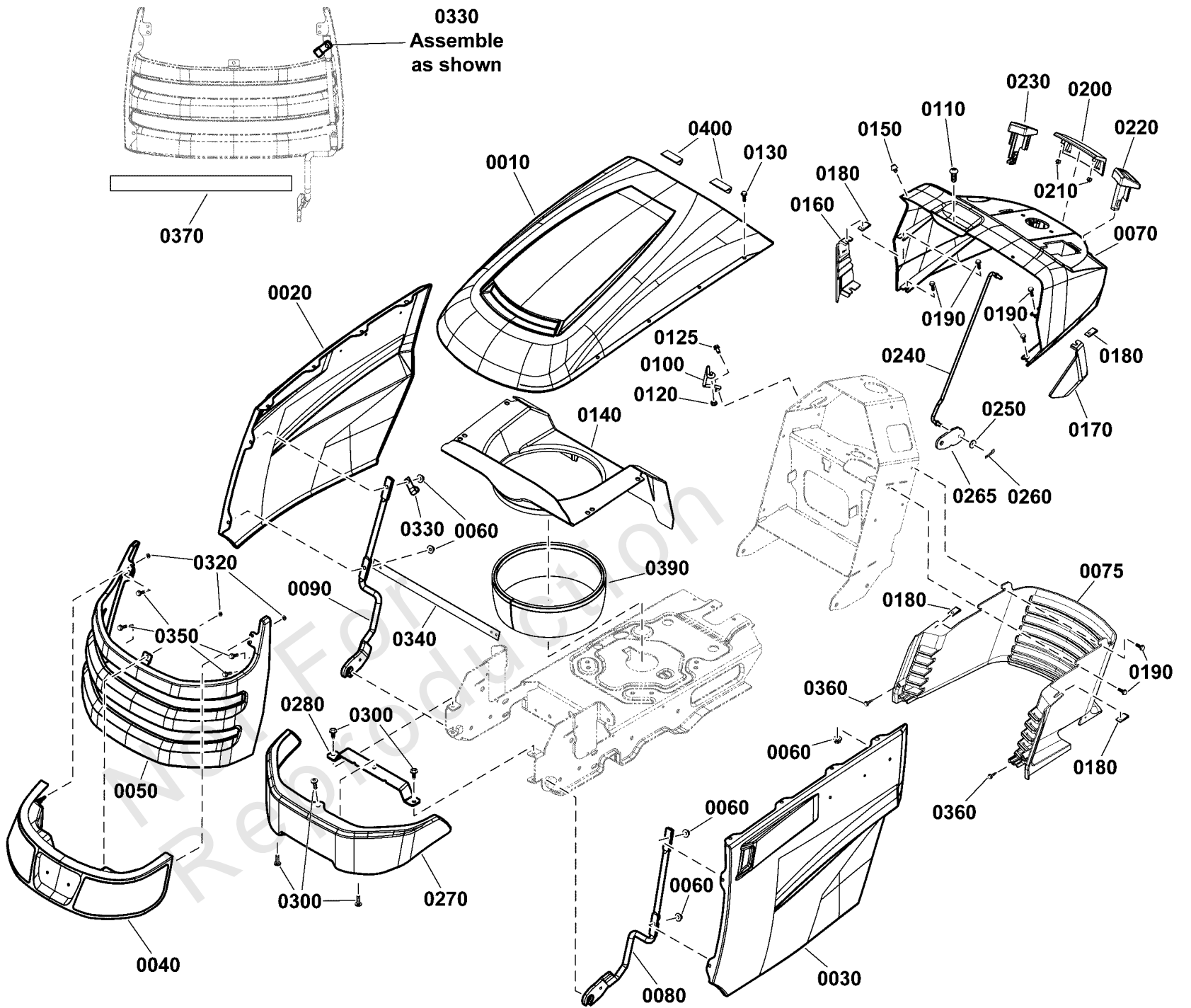
Frame & Front Axle Group

REF NO	PART NO	QTY	DESCRIPTION
0010	-----	1	FRAME -(Not a serviceable part)
0030	1752878AYP	1	SUPPORT, Seat Deck
0040	703228	6	SCREW, Washer Head Taptite, 5/16-18 X 3/4
0060	1722212ASM	1	PLATE, Axle Support
0070	1960035SM	2	WASHER, 5/8
0080	2860646SM	1	NUT, Hex Flange, Two Way Lock, 5/8-11
0090	2860645SM	1	CAPSCREW, Hex Head, 5/8-11 x 3-1/2, GR5
0100	2821133SM	2	FITTING, Lube
0110	1933260SM	4	BOLT, Serrated Flange, 3/8-16 x 3/4, GR5
0120	1930645SM	10	NUT, Hex Flange, Two Way Lock, 3/8-16
0130	1724801ASM	1	PLATE, Axle Wear
0140	1930591SM	2	SCREW, Hex Flange, Whiz Lock, 5/16-18 x 3/4
0150	1931277SM	2	NUT, Hex Flange, Whiz Lock, 5/16-18
0180	1722541SM	1	LINK, Drag
0190	1919262SM	1	NUT, Hex Jam, 1/2-20
0200	1702779SM	1	JOINT-BALL .500-20 THD .500ID
0210	704128	2	WASHER, Flat
0220	1960103SM	2	WASHER, 3/8"
0230	1708236SM	1	SPACER, 0.377 x 1/2 x 5/8"
0240	703858	1	BOLT, Carriage, 3/8-16 X 1 3/4
0250	1931350SM	2	BOLT, Carriage, Short Neck, 3/8-16 x 1 GR5
0260	1722626ASM	1	TIE ROD
0270	1611705SM	2	SPACER, 3/8 x 5/8 x 1/4"
0280	1722200ASM	1	AXLE ASSEMBLY, w/ LH Spindle, Complete
0280-10	1704314SM	3	FITTING, Lube
0280-20	2832577SM	1	RING, Retainer
0280-30	703149	1	WASHER, 1
0280-40	1721682SM	6	BUSHING, 1 ID x 1-1/4 OD x 3/4"
0280-70	1722199SM	1	SPINDLE ASSEMBLY, RH
0290	1721918ASM	1	HOOK, Mower Hitch
0300	1927531SM	2	CAPSCREW, Hex Head, 7/16-14 x 2, G8, Black
0310	1930650SM	2	NUT, Hex Flange, Two Way Lock, 7/16-14
0320	1721752SM	1	SPACER, 5/8 x 1 x 2"
0330	2176440SM	1	BUSHING, Nylon, 3/4 ID x 7/8 OD x 7/8"
0340	703151	2	WASHER, .766 ID X 1.06 OD X .07
0350	1724470ASM	1	STEERING GEAR ASSEMBLY
0360	1960032SM	1	SCREW, Hex Head, 3/8-16 x 1 1/4
0370	1722459SM	1	BEARING, 3/4 x 1-11/16 x 13/16, 3" Long Housing
0400	703407	2	CAPSCREW, Hex Head, 3/8-16 x 1, GR5
0440	84003958	1	TOWER
0450	703950	4	SCREW, Hex Washer Head, Thread Roll, 5/16-18 X 5/8
0500	1686985SM	1	KIT, Spindle Assembly, LH
0500-10	2823485SM	1	CAPSCREW, 3/8-16 x 7/8, GR8
0500-20	1663151SM	1	WASHER, Spring, 3/8
0500-30	2830671SM	1	KEY, Woodruff
0500-40	1724264SM	1	SPINDLE, LH
0500-50	1725112SM	1	HUB & ARM ASSEMBLY

Hood, Grille & Dash Group

Note: Unless noted otherwise, use the standard torque specifications

Mfg. No: 2691675-00



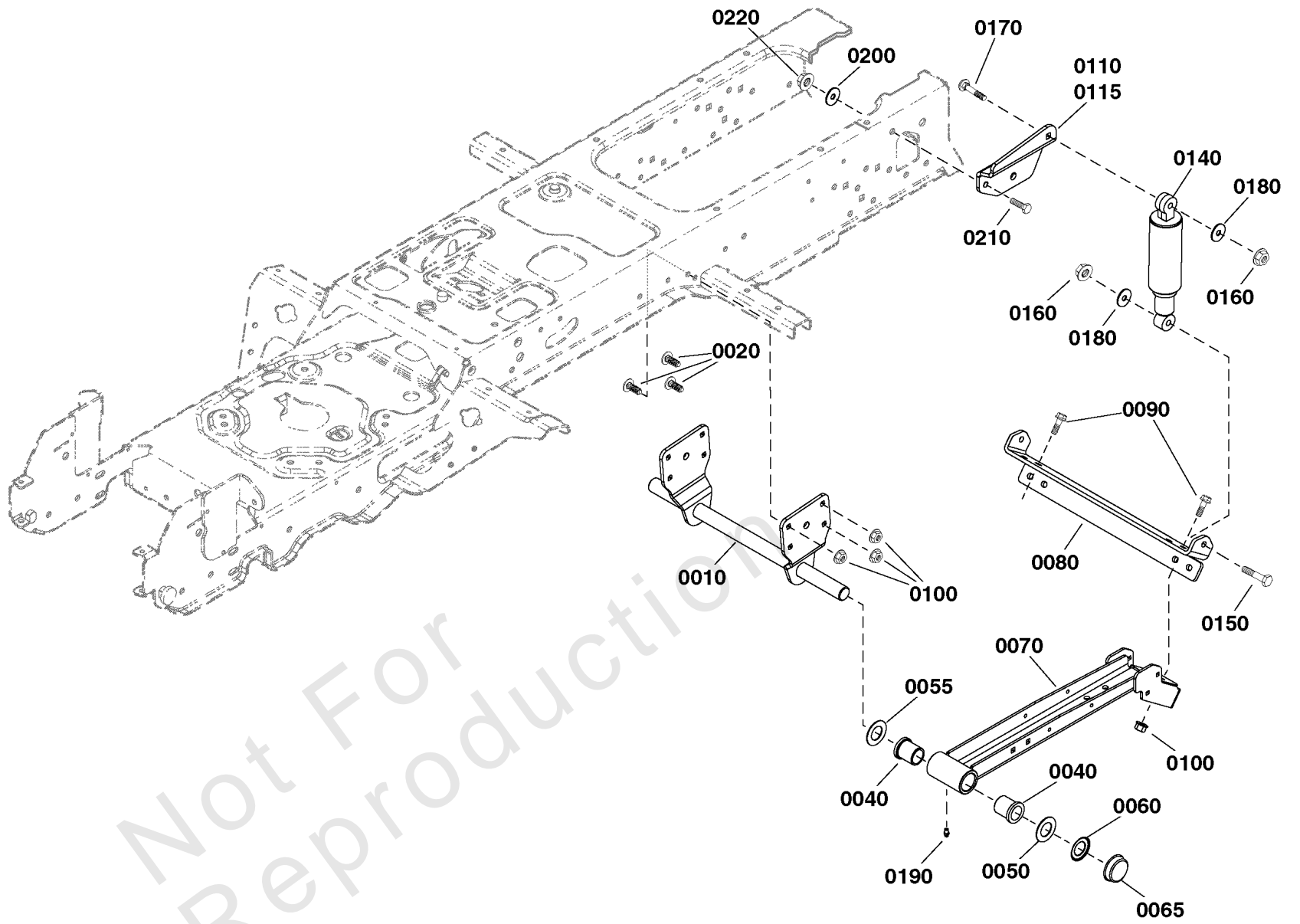
Hood, Grille & Dash Group

REF NO	PART NO	QTY	DESCRIPTION
0010	1754921CYP	1	HOOD, Top
0020	1754925CYP	1	PANEL, Side, RH
0030	1754924CYP	1	PANEL, Side, LH
0040	1754936YP	1	HEADLIGHT ASSEMBLY (LED)
0050	1754922CYP	1	GRILLE, Front
0060	1930641SM	12	NUT, Hex Flange, Whiz Lock, 1/4-20
0070	84003728	1	DASH, Upper
0075	1754859YP	1	DASH, Lower
0080	1755578YP	1	HOOD HINGE ASSEMBLY, LH
0090	1755577YP	1	HOOD HINGE ASSEMBLY, RH
0100	84003727	1	ROD, Dash Support
0110	770135	1	SCREW, Truss HD, 1/4-20 x 3/4
0120	703463	1	NUT, Flange Nylock , 1/4-20
0125	704130	1	SCREW, Hex Head, 1/4-20 X 1/2
0130	1960295SM	8	SCREW, Hex Flange, Whiz Lock, 1/4-20 x 5/8
0140	7102326YP	1	AIR DUCT, Plenum
0150	1755815YP	2	BUMPER, Rubber
0160	1755223YP	1	GUIDE, Hood, RH
0170	1755224YP	1	GUIDE, Hood, LH
0180	1926018SM	4	NUT, Speed, 1/4
0190	703054	8	SCREW, Hex Washer Head, 1/4-20 x 5/8
0200	1754918YP	1	TRIM
0210	703582	2	CLIP, Panel
0220	1755457YP	1	PLUG, Dash Knob
0230	1754862YP	1	KNOB, Parking Brake
0240	1755594YP	1	ROD, Parking Brake
0250	1921319SM	1	WASHER, 184
0260	1722460SM	1	PIN, Quick, 1.19"
0265	1755598AYP	1	LATCH, Parking Brake
0270	1754923AYP	1	BUMPER
0280	1755506AYP	1	SUPPORT, Front Bumper
0300	703228	5	SCREW, Washer Head Taptite, 5/16-18 X 3/4
0320	1960521SM	3	NUT, Push
0330	7012652YP	2	CLIP, Wire, 7/16
0340	1756204AYP	1	STRIP, Hood Support
0350	1960611SM	4	SCREW, Hex Flange, Whiz Lock, 1/4-20 x 1
0360	1960536SM	2	SCREW, Hex Washer Head, Plastite, 1/4 x 1/2
0370	1758731YP	1	INSULATION, 2 x 12 1/2
0390	84004638	1	SEAL, Hood Shroud
0400	84004684	1	SEAL, Edging

Rear Suspension Group

Note: Unless noted otherwise, use the standard torque specifications

Mfg. No: 2691675-00



Rear Suspension Group

REF NO	PART NO	QTY	DESCRIPTION
0010	84004261	1	CARRIER SUPPORT
0020	1931334SM	6	BOLT, Carriage, Short Neck, 5/16-18 x 7/8, GR 5
0040	5021541SM	4	BUSHING, FLANGE
0050	703199	2	WASHER, Flat
0055	84004830	2	WASHER, 1"
0060	703200	2	NUT, Push
0065	094618MA	2	HUB CAP
0070	84004828	2	CARRIER ARM ASSEMBLY
0080	1754642AYP	1	BRACKET, Support, Rear Swing Arm
0090	703410	8	BOLT, Serrated Flange, 5/16-18 X 1.0
0100	1960686SM	14	NUT, Hex Flange Nylock, 5/16-18
0110	1754646AYP	1	BRACKET, Shock Mount, RH -(Not Shown)
0115	1755430AYP	1	BRACKET, Shock Mount, LH
0140	1755531YP	2	*ABSORBER, Shock
0140	1758705YP	2	**SHOCK ABSORBER, 10 1/2"
0150	1921971YP	4	CAPSCREW, Hex Head, 3/8-16 x 1-3/4 GR5
0160	1960687SM	2	NUT, Hex Flange Nylock, ESNA, 3/8-16
0170	1931353SM	4	BOLT, Carriage, Short Neck, 3/8-16 x 1-3/4, G5
0180	5025165SM	2	WASHER, Fender, 3/8
0190	1704314SM	2	FITTING, Lube, 1/4
0200	704128	2	WASHER, Flat
0210	703407	2	CAPSCREW, Hex Head, 3/8-16 x 1, GR5
0220	703793		NUT, Lock, Flange, 3/8-16

Footnotes:

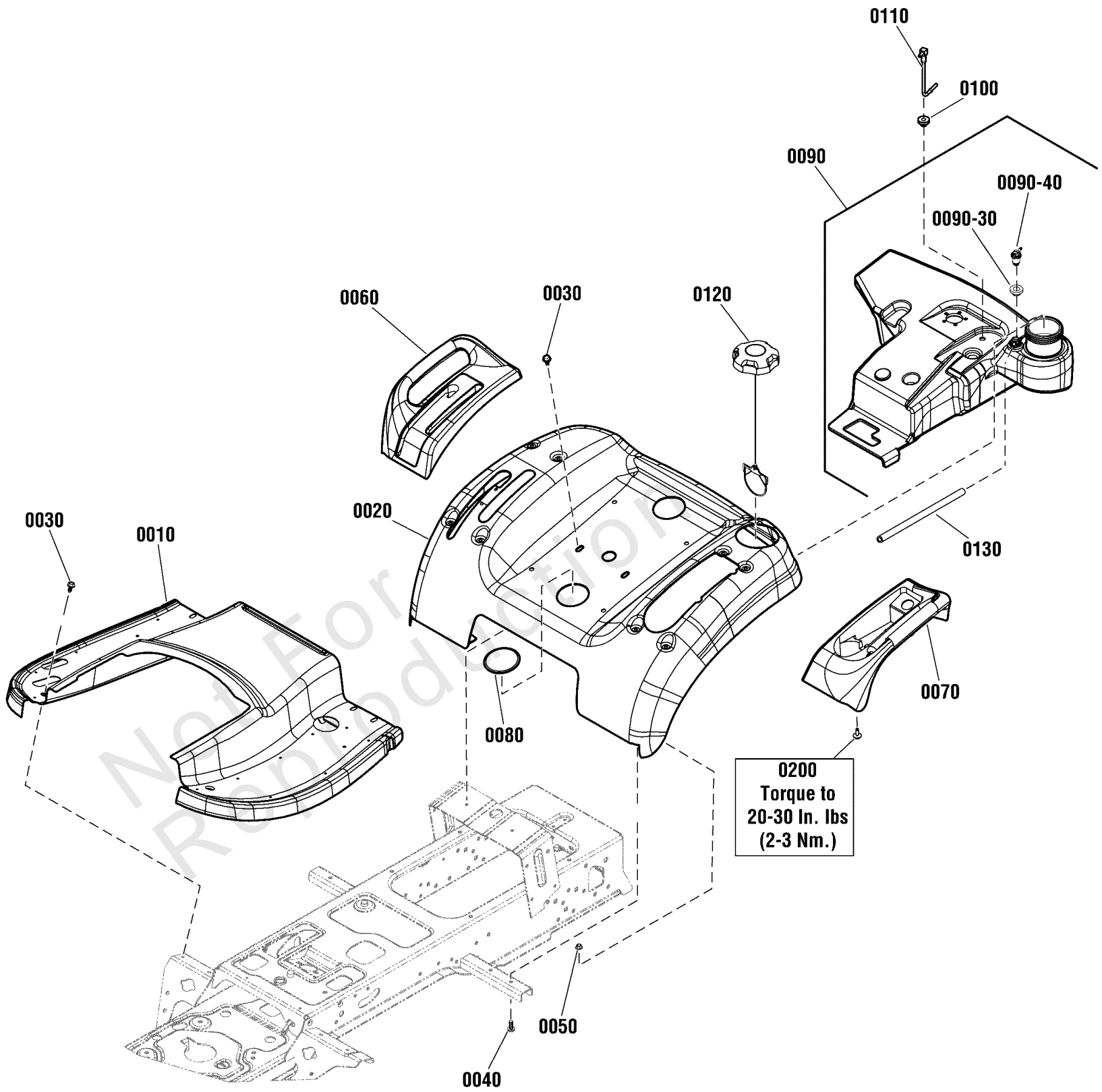
Note:** Spring Rate 160lbs / 59.7kg +/- 10lbs / 3.7kg

Note:* Spring Rate 125lbs / 46.7kg +/- 10lbs / 3.7kg

Seat Deck Group

Note: Unless noted otherwise, use the standard torque specifications

Mfg. No: 2691675-00



Seat Deck Group

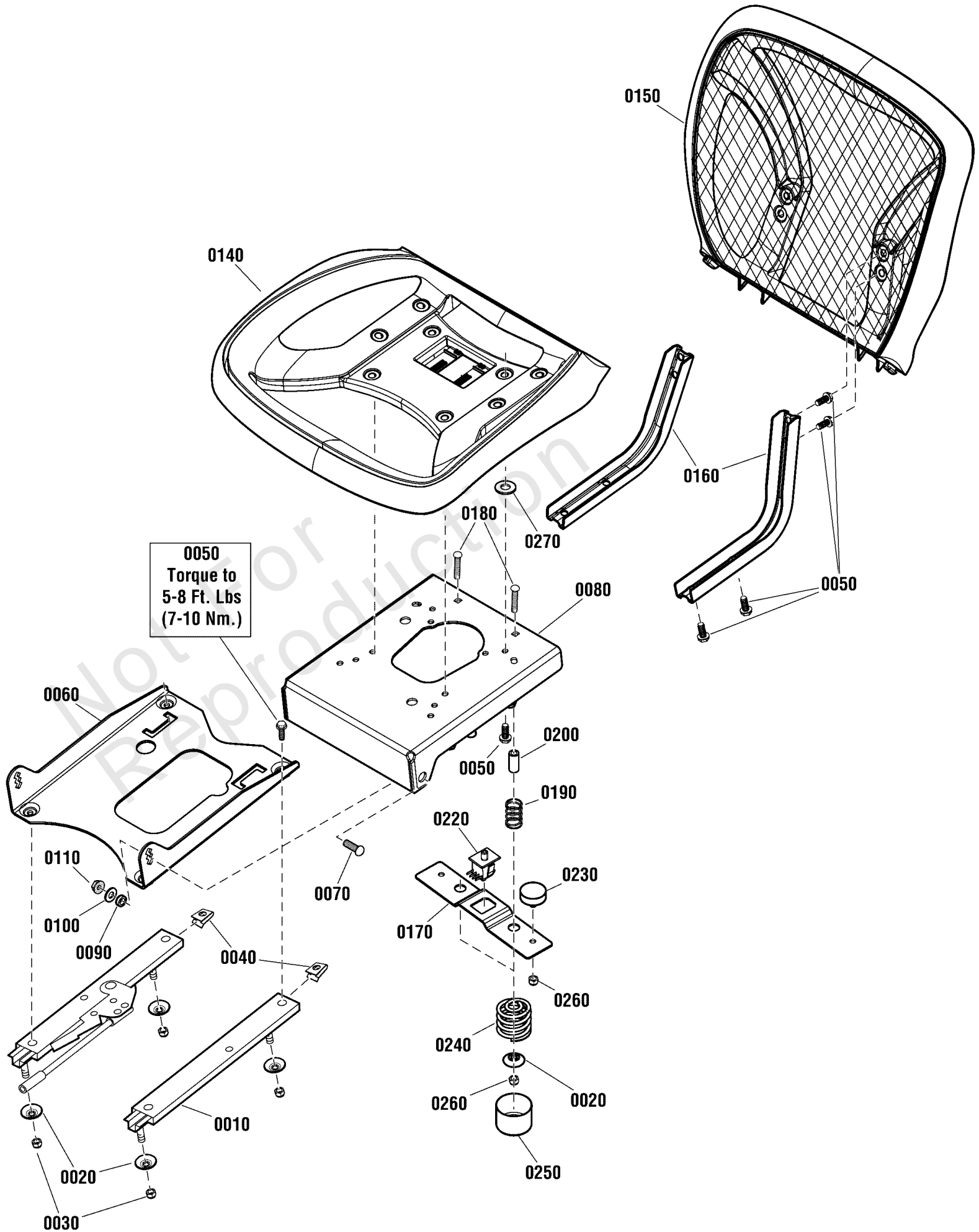
REF NO	PART NO	QTY	DESCRIPTION
0010	1722105CSM	1	TUNNEL
0020	1722106CSM	1	DECK, Seat
0030	703949	4	SCREW, Hex Washer Head, Taptite, 5/16-18 x 5/8
0040	1930595SM	4	SCREW, Hex Flange, Whiz Lock, 5/16-18 x 1 1/4
0050	1931277SM	4	NUT, Hex Flange, Whiz Lock, 5/16-18
0060	1722108SM	1	POD, RH
0070	1729711SM	1	POD, With Cup Holder, LH
0080	1722309SM	1	PLUG, Hole
0090	1751622YP	1	TANK, Fuel -(Includes item Nos. 0090-30 & 0090-40)
0090-30	799624	1	GROMMET
0090-40	7104638YP	1	VENT, Remote
0100	1654930SM	1	BUSHING, Fuel Tank
0110	1757609YP	1	TUBE, Fuel Pickup
0120	1759036YP	1	FUEL CAP
0130	708734	1	HOSE, Vapor
0200	2860664SM	8	SCREW, Conical Washer, 1/4-20 x 7/8 Dog Point

Not For Reproduction

Seat Group

Note: Unless noted otherwise, use the standard torque specifications

Mfg. No: 2691675-00



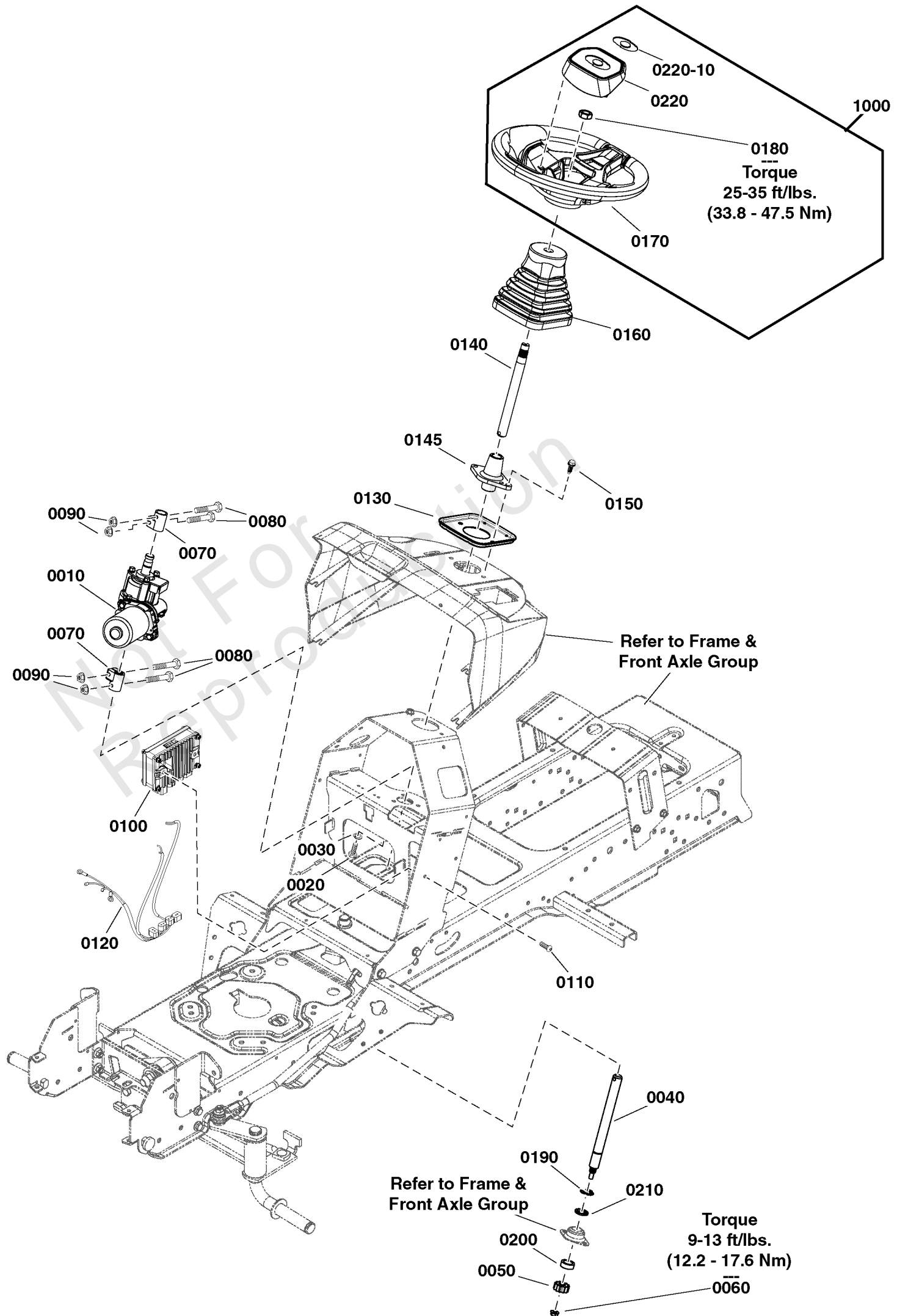
Seat Group

REF NO	PART NO	QTY	DESCRIPTION
0010	1722356SM	1	SLIDE, Seat
0020	1709256SM	6	WASHER, Spring, 5/16 x 1 1/4
0030	1919438SM	4	NUT, Hex Lock, ESNA Light, 5/8-18
0040	1935255SM	4	NUT, Speed, Lug Type, 5/16-18
0050	1930591SM	16	SCREW, Hex Flange, Whiz Lock, 5/16-18 x 3/4
0060	1722128ASM	1	SUPPORT, Seat
0070	1931350SM	2	BOLT, Carriage, Short Neck, 3/8- 16 x 1 GR5
0080	1755623AYP	1	BRACKET, Seat Support
0090	1663752SM	2	SPACER, 25/64 x 5/8 x 3/16
0100	1924940SM	2	WASHER, 3/8
0110	1930645SM	2	NUT, Hex Flange, Two Way Lock, 3/8-16
0140	1738013YP	1	SEAT, Mesh, Bottom
0150	1738014YP	1	SEAT, Mesh, Back
0160	1737848AYP	2	SUPPORT, Mesh Seat
0170	1756190AYP	1	BRACKET, Switch, Seat
0180	1931339SM	2	BOLT, Carriage, Short Neck, 5/16-18 x 2 GR5
0190	1756196YP	2	SPRING, Compression
0200	5041931SM	2	SPACER, 3/8 x 1/2 x 1-1/4"
0220	5101280YP	1	SWITCH, Low Prof, NC/NO
0230	1726390SM	2	BUMPER, Rubber
0240	1704728SM	2	SPRING, Compression, 2"
0250	1704724SM	2	COVER, Spring
0260	1960686SM	2	NUT, Hex Flange, 5/16-18
0270	703591	4	WASHER, Flat, 13/32 x 1 1/2 x 1/8

Steering Group - Power Steering

Note: Unless noted otherwise, use the standard torque specifications

Mfg. No: 2691675-00



Steering Group - Power Steering

REF NO	PART NO	QTY	DESCRIPTION
0010	84003790	1	POWER STEERING ASSEMBLY
0020	84004772	3	CAPSCREW, Hex Head, M8-1.25 x 18mm
0030	703116	3	WASHER, Split Lock, .32 x .58 x .08
0040	84003779	1	SHAFT
0050	1761013YP	1	GEAR, Pinion
0060	703115	1	NUT, Flange Nylock, 5/16-18
0070	84003758	2	COUPLING
0080	703234	4	CAPSCREW, Hex Head, 1/4-20 X 1 1/2, G5
0090	703463	4	NUT, Flange Nylock , 1/4-20
0100	84003760	1	CONTROLLER
0110	84004773	2	CAPSCREW, Button Head
0120	84003766	1	HARNESS
0130	84003729	1	PLATE, Steering Mount
0140	84003753	1	SHAFT
0145	84003731	1	SUPPORT, Upper Shaft
0150	704146	2	SCREW, Hex Washer Head, Taptite, 5/16-18 x 1
0160	1755550YP	1	BELLOWS, Steering Cover
0170	-----	1	STEERING WHEEL -(Refer to Note: *)
0180	1960576SM	1	NUT, Hex Lock, ESNA Light, 5/8-18
0190	1611710SM	1	RING, Klipring, For 3/4 Dia. Shaft
0200	1722461SM	1	SPACER, 3/4 x 1-1/16 x 3/8, Powder Metal
0210	706388	1	SPACER, .766 x 1.06 x 1/8
0220	84003162	1	CAP, Steering Wheel, Simplicity
0220-10	1755843YP	1	DECAL, Logo, Steering Wheel
1000	84001122		KIT, Steering Wheel, Simplicity -(Incl. Ref. Nos. 0170, 0180, 0220 & 0220-10)

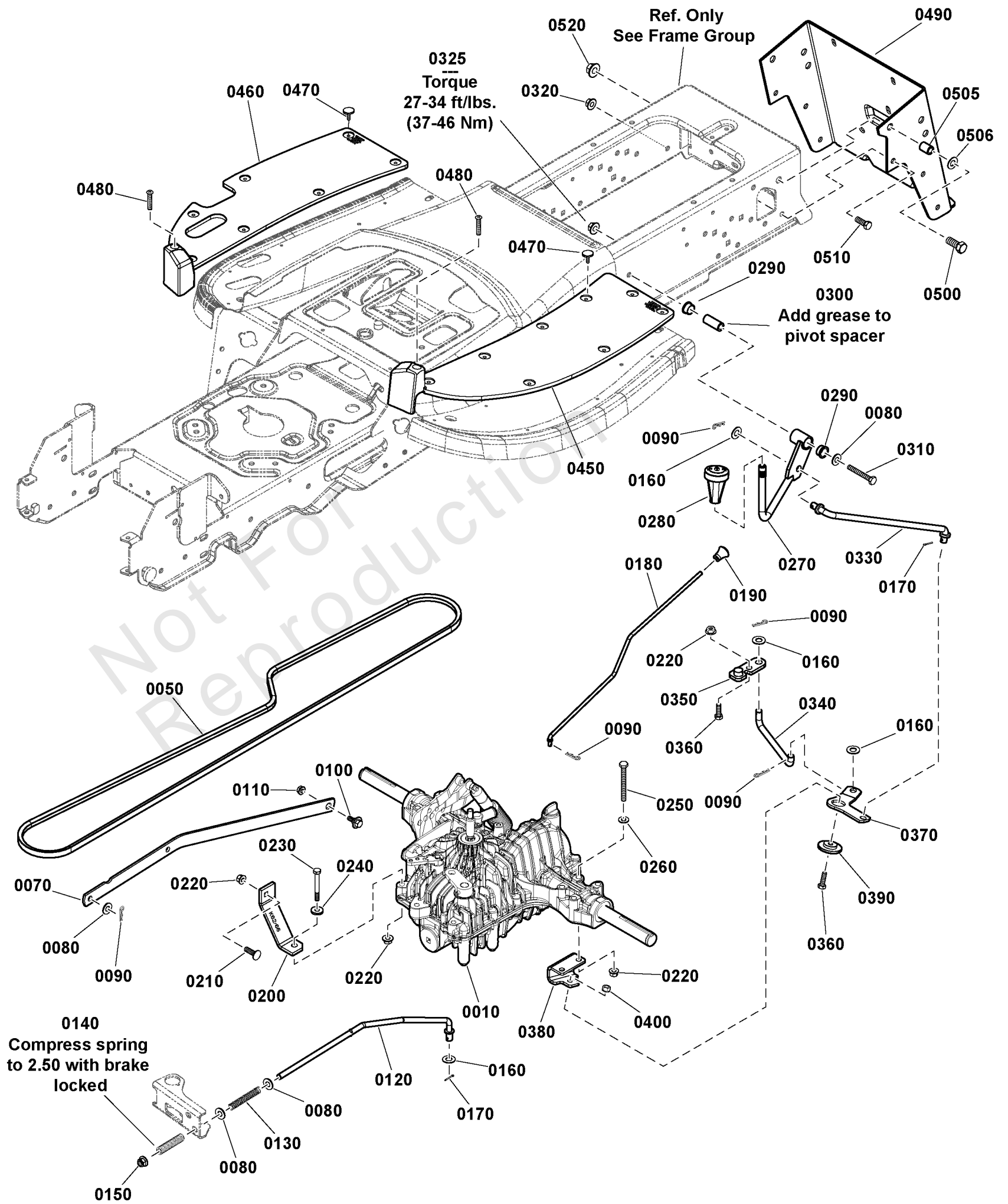
Footnotes:

Note:* Not a serviceable part.

Transmission Group - Tuff Torq K66AS

Note: Unless noted otherwise, use the standard torque specifications

Mfg. No: 2691675-00



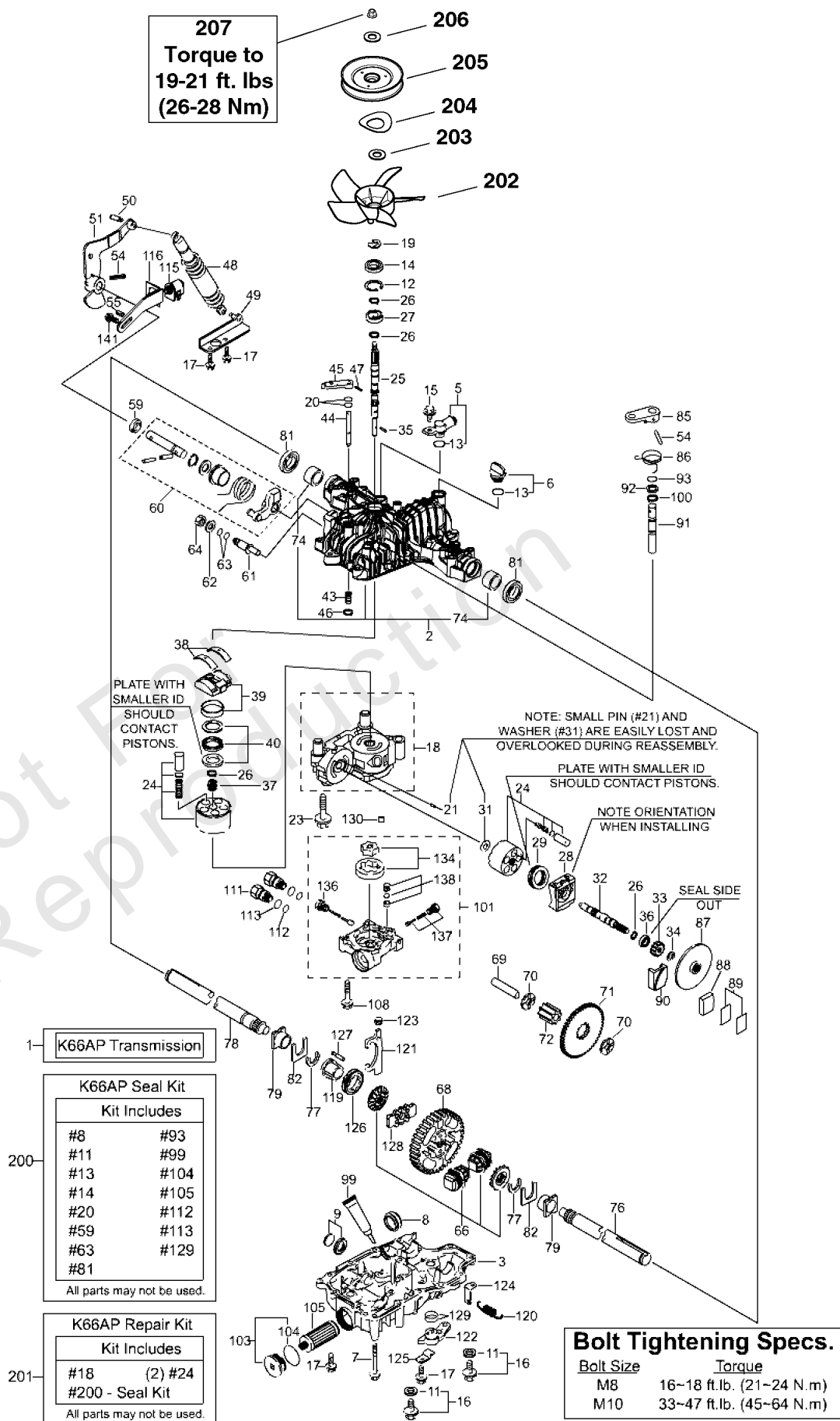
Transmission Group - Tuff Torq K66AS

REF NO	PART NO	QTY	DESCRIPTION
0010	84003711	1	TRANSMISSION, Tuff Torq, K66AS
0050	1721392SM	1	V-BELT, 94.05
0070	1754368AYP	1	ARM, Transmission Control
0080	703878	5	WASHER, Flat, 13/32 x 7/8 x .083
0090	1722460SM	5	HAIRPIN
0100	1732426SM	1	BOLT, Shoulder, 5/16-18 x 1/2
0110	704067	1	NUT, Hex Flange, 5/16-18
0120	84003888	1	ROD, BRAKE
0130	1722684SM	1	SPRING, Compression, 3-1/4" Long
0140	1729277SM	1	SPRING, Compression, 3-5/8" Long
0150	1960687SM	1	NUT, Hex Flange, ESNA, 3/8-16
0160	1918267SM	4	WASHER, 15/32 x 15/16, Black
0170	331613MA	2	PIN, Cotter
0180	84003891	1	ROD
0190	1723126SM	1	KNOB, 3 Sided Soft
0200	1754643AYP	1	STRAP, Torque
0210	703800	1	BOLT, Carriage, 5/16-18 x 1 G5
0220	1960686SM	7	NUT, Flange, Nylock, 5/16-18
0230	703868	1	CAPSCREW, Hex Head, 5/16-18 x 2-1/2, G5
0240	1960141SM	1	WASHER, 5/16
0250	703870	4	CAPSCREW, Hex Head, 5/16-18 x 3, G5
0260	1919326SM	4	WASHER, 5/16
0270	1721360AYP	1	PEDAL ASSEMBLY
0280	1716289SM	1	KNOB, Hole, 1/2 x 1-3/4, 2-11/16
0290	1676148SM	2	BUSHING, 5/8 x 3/4 x 13/32, Powder Metal -(Used on 2013 & prior models)
0300	1756612YP	1	SPACER, Diff. Lock -(Used on 2014 & newer models)
0310	703589	1	CAPSCREW, Hex Head, 3/8-16 X 2, GR5
0320	703793	2	NUT, Lock, Flange, 3/8-16
0325	703158	1	NUT, Hex Flange, 3/8-16
0330	1755453YP	1	ROD, Diff Lock
0340	1755454YP	1	ROD, Differential Lock
0350	1722383SM	1	ARM, Differential Lock
0360	1921333SM	2	CAPSCREW, Hex Head, 5/16-18 x 1
0370	1756597AYP	1	PIVOT, Differential Lock
0380	1755456AYP	1	BRACKET, Differential Lock
0390	1727935SM	1	SPACER, Pivot, 5/16 ID x 1-3/4 OD
0400	1960636SM	1	NUT, Hex KEPS, 5/16-18
0450	1755643YP	1	PAD, Footrest, LH
0460	1755642YP	1	PAD, Footrest, RH
0470	1704351SM	15	FASTENER, Panel
0480	1960676SM	2	SCREW, Pan Head Torx Taptite, 1/4-20 x 1-1/4, Black
0490	1755742AYP	1	PLATE, Back, Hitch
0500	5025017X16YP	2	BOLT, 1/2-13 x 2, G5
0505	703450	2	SPACER, 1/2 ID x 3/4 OD
0506	1926192SM	2	WASHER, 9/16 x 1-1/4 x 1/8
0510	703407	2	CAPSCREW, Hex Head, 3/8-16 x 1, G5
0520	703918	2	NUT, Hex Flange, Whiz Lock, 1/2-13

Transmission SERVICE PARTS - Tuff Torq K66AS (80082721)

Note: Unless noted otherwise, use the standard torque specifications

Mfg. No: 2691675-00



Transmission SERVICE PARTS - Tuff Torq K66AS (80082721)

REF NO	PART NO	QTY	DESCRIPTION
1	84003711		TRANSMISSION, Tuff Torq, K66AS
2	-----		* UPPER CASE KIT
3	-----		* LOWER CASE
5	-----		* FITTING KIT
6	-----		* CAP KIT
7	-----		* CAPSCREW, M8 x 75
8	1720761SM		FILTER
9	1718065SM		MAGNET CMP
11	1720796SM		WASHER SEAL 10
12	1708650SM		SNAP RING C 35
13	1707786SM		O-RING P18
14	7073794YP		SEAL TC 153507
15	-----		* BOLT, Flange, M8 x 20
16	-----		* DRAIN BOLT KIT
17	1707789SM		TAPPING SCREW 8 x 30
18	-----		* CENTER CASE AB
19	1718076SM		E-RING
20	1708691SM		O-RING, 1A P10A
21	1718070SM		PIN 3 x 9.8
23	-----		* BOLT, M10 x 65
24	-----		* CYLINDER BLOCK KIT
25	1724699SM		PUMP SHAFT
26	1708672SM		SNAP RING S15
27	1708673SM		BEARING 6202C3
28	1724700SM		MOTOR HOUSING
29	1708675SM		THRUST BEARING
31	1718084SM		WASHER 12 x 24 x 1
32	-----		* MOTOR SHAFT/GEAR (9T)
33	1724752SM		MOTOR GEAR
34	1724751SM		E-RING
35	1722223SM		PIN 3 x 13.8
36	1724702SM		BEARING 6302DUC3
37	1708669SM		PUMP SPRING
38	1708677SM		THRUST METAL
39	1724703SM		SWASH PLATE ASSEMBLY
40	-----		* THRUST BEARING KIT
43	1725730SM		SPRING 25
44	1720838SM		BYPASS SHAFT
45	1720418SM		BYPASS LEVER
46	-----		* RING, 10
47	1707839SM		SPRING PIN 3.0A x 20
48	-----		* SHOCK ABSORBER
49	1724704SM		SHOCK STAY
50	1724705SM		PIN
51	-----		* CONTROL LEVER
54	1718100SM		ROLL PIN 6 x 40
55	-----		* PIN 8 x 16
59	1718120SM		SEAL TC 162606

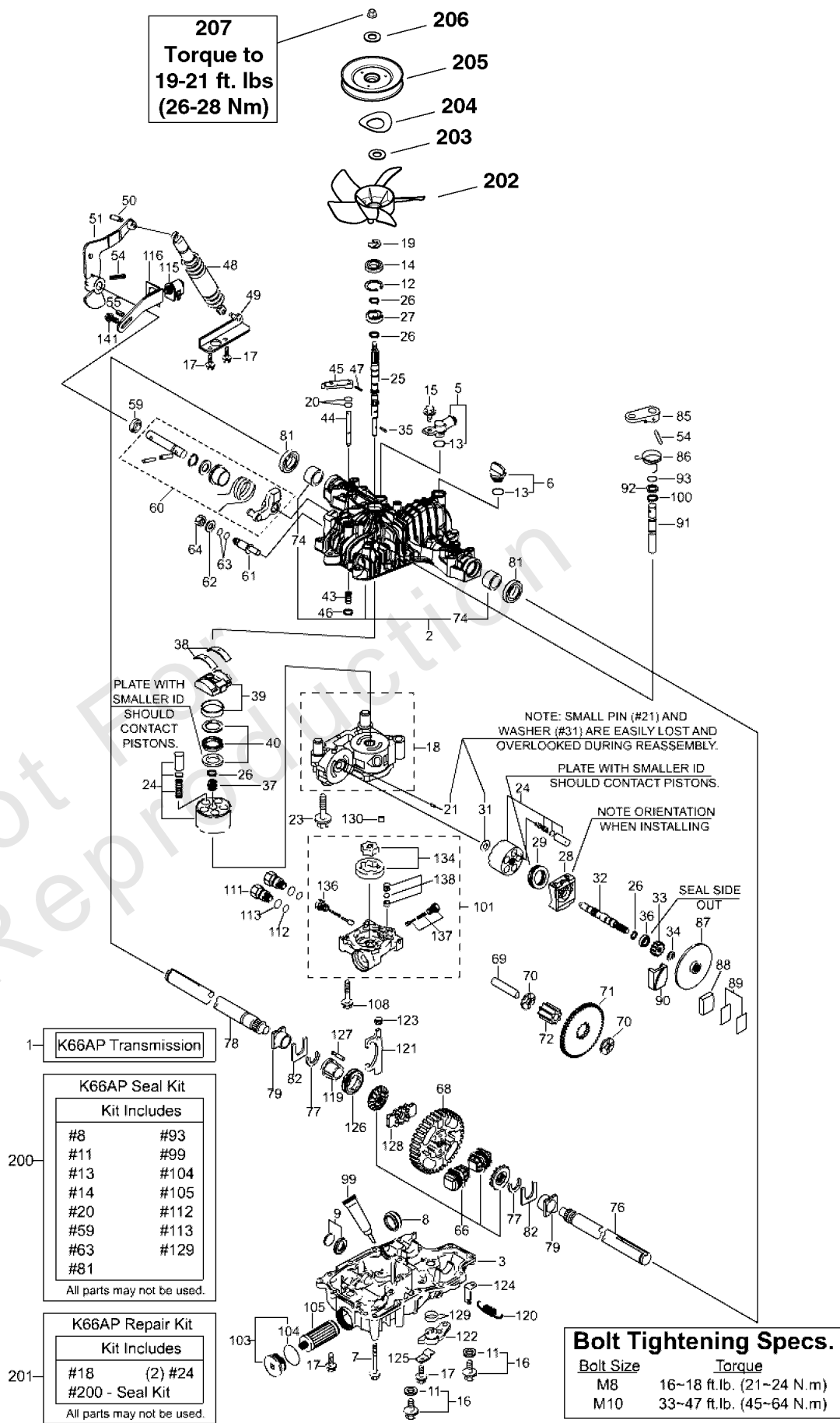
Footnotes:

Note:* See your local authorized dealership for parts and warranty or contact Tuff Torq at www.tufftorqservices.com (U.S. 1-866-572-3441 Int'l 01-423-585-1977)

Transmission SERVICE PARTS - Tuff Torq K66AS (80082721)

Note: Unless noted otherwise, use the standard torque specifications

Mfg. No: 2691675-00



Transmission SERVICE PARTS - Tuff Torq K66AS (80082721)

REF NO	PART NO	QTY	DESCRIPTION
60	-----		* CONTROL SHAFT KIT
61	1724344SM		FULCRUM
62	1708689SM		WASHER 12
63	1707879SM		O-RING 1A P14
64	1708692SM		NUT 12
66	-----		* DIFFERENTIAL GEAR KIT
68	-----		* FINAL GEAR
69	1724714SM		FINAL PINION SHAFT
70	1724715SM		WASHER 15 x 35 x 3.2
71	1724753SM		REDUCTION GEAR (53T)
72	1724717SM		FINAL PINION Gear (11T)
74	1724693SM		BUSHING 25.4
76	1724718SM		AXLE SHAFT, LEFT
77	1720859SM		RETAINING RING 23
78	1724719SM		AXLE SHAFT, RIGHT
79	1720860SM		BUSHING 25.4
81	1718264SM		SEAL S 25.4 x 42 x 8
82	1720858SM		THRUST WASHER
85	-----		* BRAKE LEVER
86	-----		* BRAKE RETURN SPRING
87	1724723SM		BRAKE DISC
88	1724724SM		BRAKE SHOE
89	1724725SM		SHIM KIT
90	1724726SM		BRAKE ACTUATOR
91	1724727SM		BRAKE SHAFT
92	1724728SM		WASHER 16 x 23 x 1.6
93	1708690SM		O-RING 1A P12
99	-----		* SEALANT
100	1707912SM		SNAP RING
101	-----		* PUMP CASE KIT (K664C & E)
103	-----		* CAP KIT
104	-----		* O-RING 1A 24040
105	1736211SM		FILTER
108	-----		* BOLT, Flange, M8 x 45
111	1720829SM		CONNECTOR
112	1720831SM		O-RING 6.1
113	1723773SM		O-RING
115	-----		* SWITCH 6440-11 DELTA
116	-----		* SWITCH PLATE
119	-----		* COLLAR 25.4
120	1724741SM		DIFFERENTIAL RETURN SPRING
121	1724733SM		DIFFERENTIAL LOCK FORK
122	1724732SM		DIFFERENTIAL LOCK LEVER
123	-----		* LEVER PIVOT
124	1724734SM		SPRING HOOK
125	1724735SM		LEVER CLIP
126	1724736SM		DIFFERENTIAL LOCK SLIDER
127	-----		* DIFF LOCK PIN

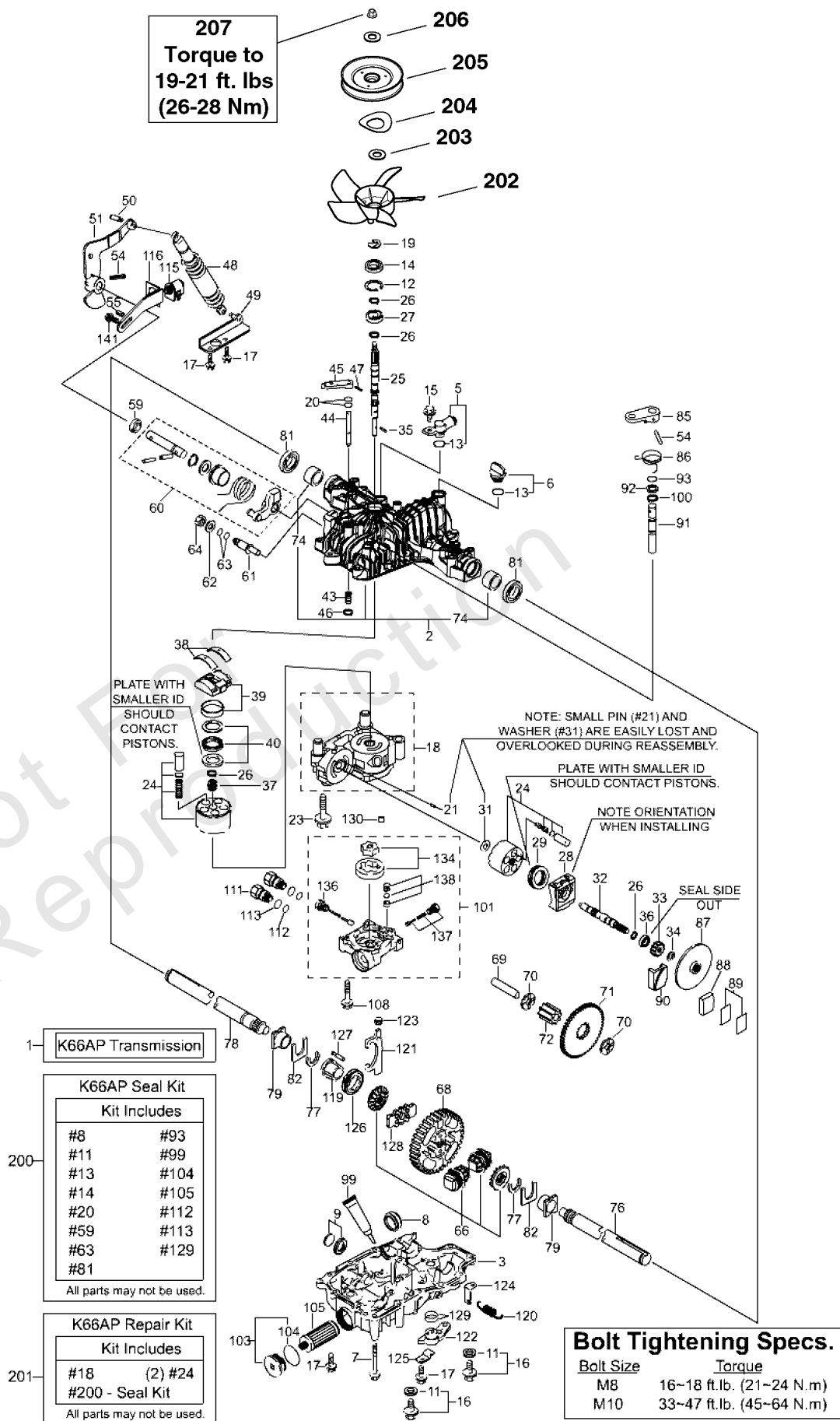
Footnotes:

Note:* See your local authorized dealership for parts and warranty or contact Tuff Torq at www.tufftorqservices.com (U.S. 1-866-572-3441 Int'l 01-423-585-1977)

Transmission SERVICE PARTS - Tuff Torq K66AS (80082721)

Note: Unless noted otherwise, use the standard torque specifications

Mfg. No: 2691675-00



Transmission SERVICE PARTS - Tuff Torq K66AS (80082721)

REF NO	PART NO	QTY	DESCRIPTION
128	-----		* DIFF LOCK PLATE
129	1724739SM		O-RING 1A G25
130	-----		* ALIGNMENT SLEEVE 11 x 7
134	-----		* ROTOR SET
136	1720828SM		CHARGE RELIEF VALVE
137	1720826SM		IMPLEMENT RELIEF VALVE
138	1720824SM		3RD CHECK VALVE
141	1707890SM		TAPPING SCREW 8 x 20
200	-----		* KIT, Seal
201	-----		* REPAIR KIT
202	84003870		FAN
203	84003871		WASHER, Flat
204	1761520YP		WASHER, Wave, 0.65" ID
205	1732918SM		PULLEY D
206	704128		WASHER, Flat
207	1719968SM		NUT, Hex Flange, M10-1.5, Nylon Insert

Not For
Reproduction

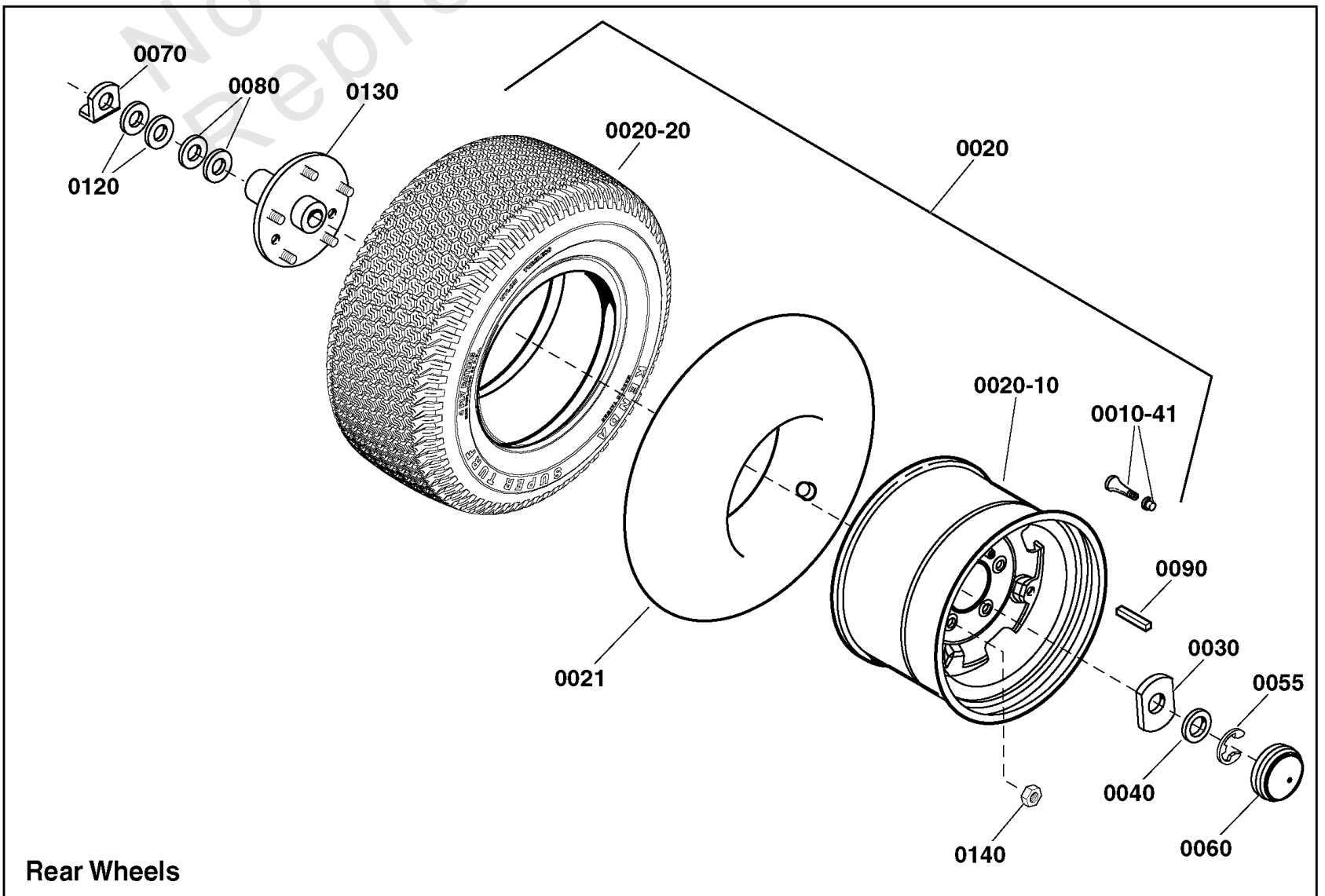
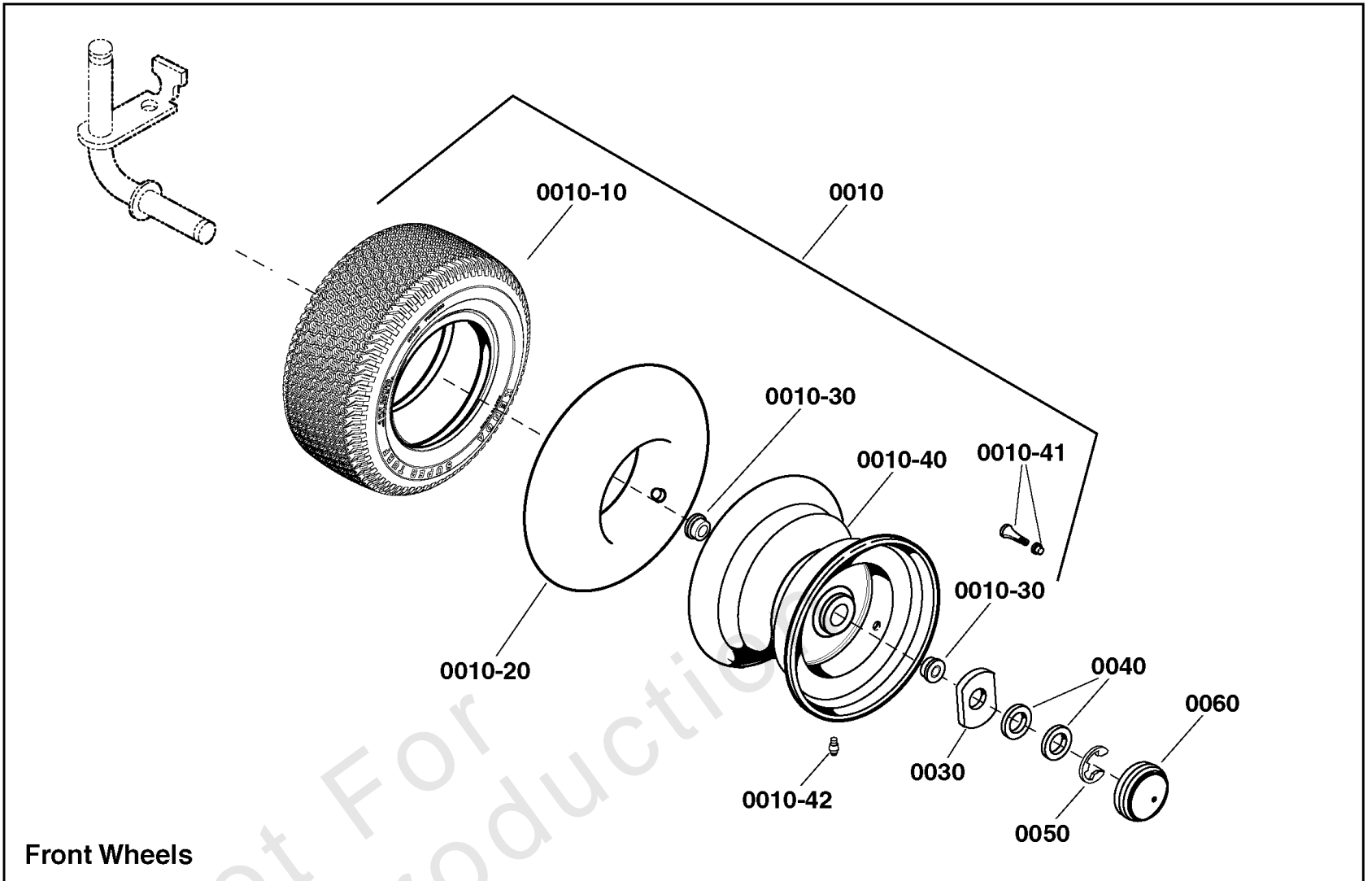
Footnotes:

Note:* See your local authorized dealership for parts and warranty or contact Tuff Torq at www.tufftorqservices.com (U.S. 1-866-572-3441 Int'l 01-423-585-1977)

Wheels & Tires Group

Note: Unless noted otherwise, use the standard torque specifications

Mfg. No: 2691675-00



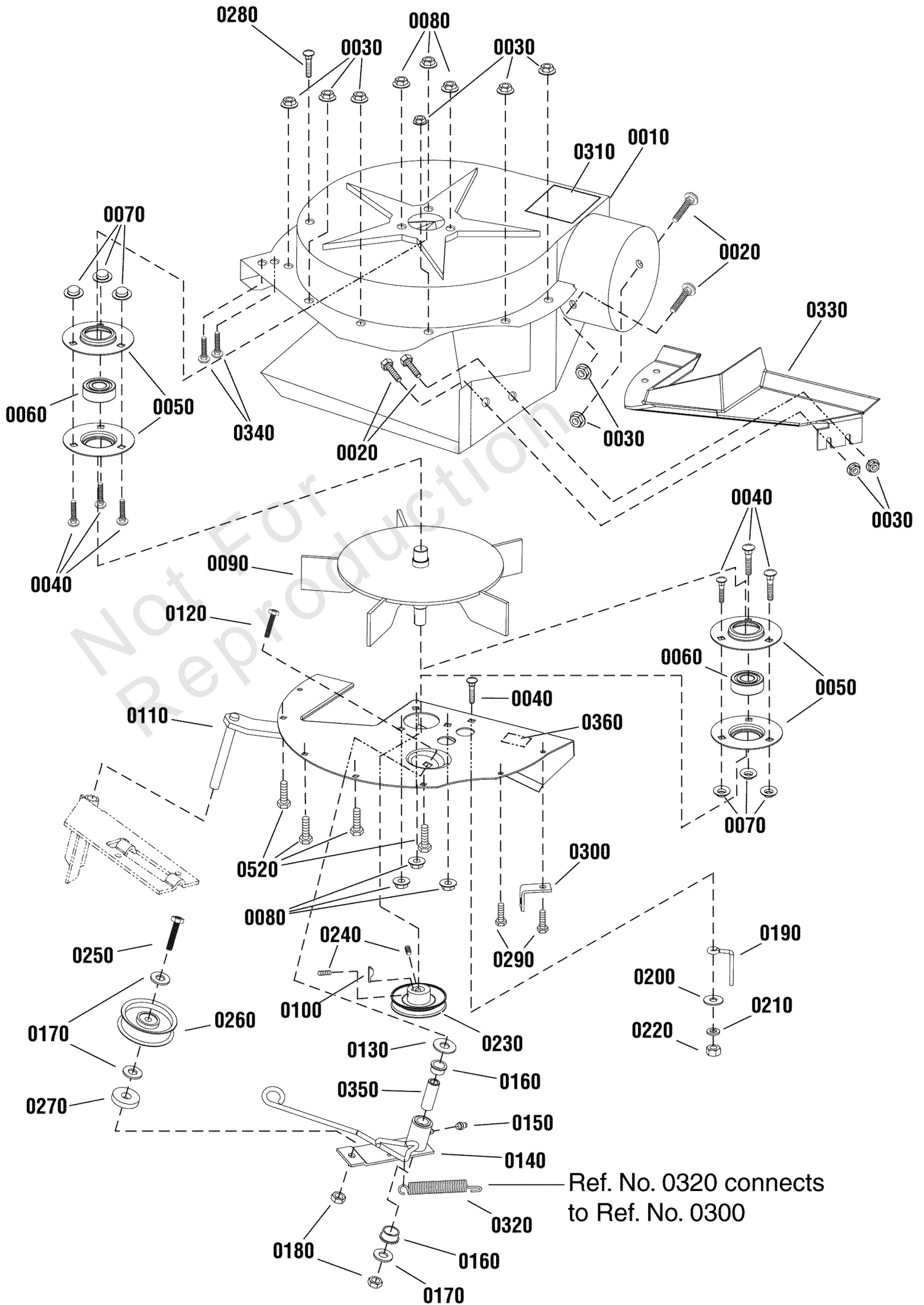
Wheels & Tires Group

REF NO	PART NO	QTY	DESCRIPTION
0010	1722305SM	2	WHEEL & TIRE ASSEMBLY, Front, 16 x 6-1/2 -(Includes Ref. Nos. 0010-10, 0010-20, 0010-30, 0010-40, 0010-41 & 0010-42)
0010-10	1722833SM	2	TIRE, 16 x 6-1/2 - 8 Super Turf, Front
0010-20	2164247SM	2	TUBE, Tire 16 x 6-1/2 - 8, Front
0010-30	1717056SM	2	BEARING, Ball
0010-40	-----	1	RIM, Wheel, Front -(Not a serviceable part)
0010-41	2172353SM	2	VALVE STEM & CAP
0010-42	2812808SM	2	GREASE FITTING
0020	1755499YP	2	WHEEL & TIRE ASSEMBLY, Rear, 23 x 10.50-12 -(Includes Ref. Nos. 0020-10, 0020-20 & 0010-41)
0020-10	-----	1	RIM, Wheel, Rear -(Not a serviceable part)
0020-20	1722830SM	2	TIRE, 23 x 10.50
0021	2173477SM	2	TUBE, Tire, Rear
0030	1722726SM	4	WASHER, Hub Cap
0040	703149	6	WASHER, Flat, 1
0050	2834712SM	2	E-RING
0055	2834712SM	2	RING, "E" External, (Units with K62)
0060	1722676SM	4	HUB CAP
0070	1737043AYP	2	WASHER, Bracket, Axle Seal
0080	2860200SM	1	WASHER, 1
0090	2105337SM	2	KEY, Hi-Pro, 1/4 x 2
0120	1960701SM	4	WASHER, 1
0130	1755832YP	2	WHEEL HUB ASSEMBLY
0140	2177725SM	10	NUT, Hex, 7/16-20

Turbo Blower Group

Note: Unless noted otherwise, use the standard torque specifications

Mfg. No: 2691675-00



Turbo Blower Group

REF NO	PART NO	QTY	DESCRIPTION
0010	1724441	1	HOUSING FAN ASSEMBLY
0020	1931317	4	BOLT, Carriage, 1/4 - 20 x 3/4
0030	1930641	10	NUT, Hex Flange Whiz Lock, 1/4-20
0040	1931333	7	BOLT, Carriage, 5/16 -18 x 3/4
0050	1665982A	4	RETAINER, Bearing
0060	2108202	2	BEARING
0070	1933988	6	PUSH NUT, 5/16
0080	1927557	6	NUT, Hex Flange Whiz Lock, 5/16-18
0090	1706631A	1	FAN ASSEMBLY, 5 Blades
0100	2860403	1	KEY, Woodruff
0110	1706465A	1	PLATE ASSEMBLY
0120	1931355	1	BOLT, Carriage, 3/8 -16
0130	1924361	1	WASHER, Flat
0140	1706284A	1	LEVER ASSEMBLY, Turbo
0150	2821133	1	FITTING, Lube
0160	1676148	2	BUSHING
0170	1924940	3	WASHER, Flat, 3/8 x 7/8 OD
0180	1960251	2	NUT, Hex Center Lock Jam, 3/8-16
0190	1678435	1	BELT, Stop
0200	1924874	1	WASHER, Flat, 5/16 x 7/8 OD
0210	1917356	1	LOCKWASHER, 5/16
0220	1917372	1	NUT, Hex, 5/16 - 18
0230	1736092	1	PULLEY ASSEMBLY IDLER
0240	1960619	2	SETSCREW, Torx
0250	1920415	1	CAPSCREW, Hex Head, 3/8 - 16 x 1-1/4
0260	2154534	1	PULLEY ASSEMBLY, Idler
0270	1933263	1	WASHER, Flat, 7/16 x 1-1/4 OD
0280	1925003	1	SCREW, Washer Head Taptite, 1/4-20 x 1/2
0290	1924009	2	CAPSCREW, Hex Head, 1/4-20 x 7/8
0300	1668500	1	ANCHOR, Spring
0310	1700259	1	DECAL, Danger -(Included with Ref. No. 1)
0320	1716853	1	SPRING, Tension
0330	1705267	1	PLATE, Cover
0340	1960728	2	SCREW, Hex Washer Head, 1/4 x 3/4
0350	1676833	1	SPACER
0360	-----	1	* DECAL, Patent
0520	1921959	4	CAPSCREW, 1/4-20 x 5/8

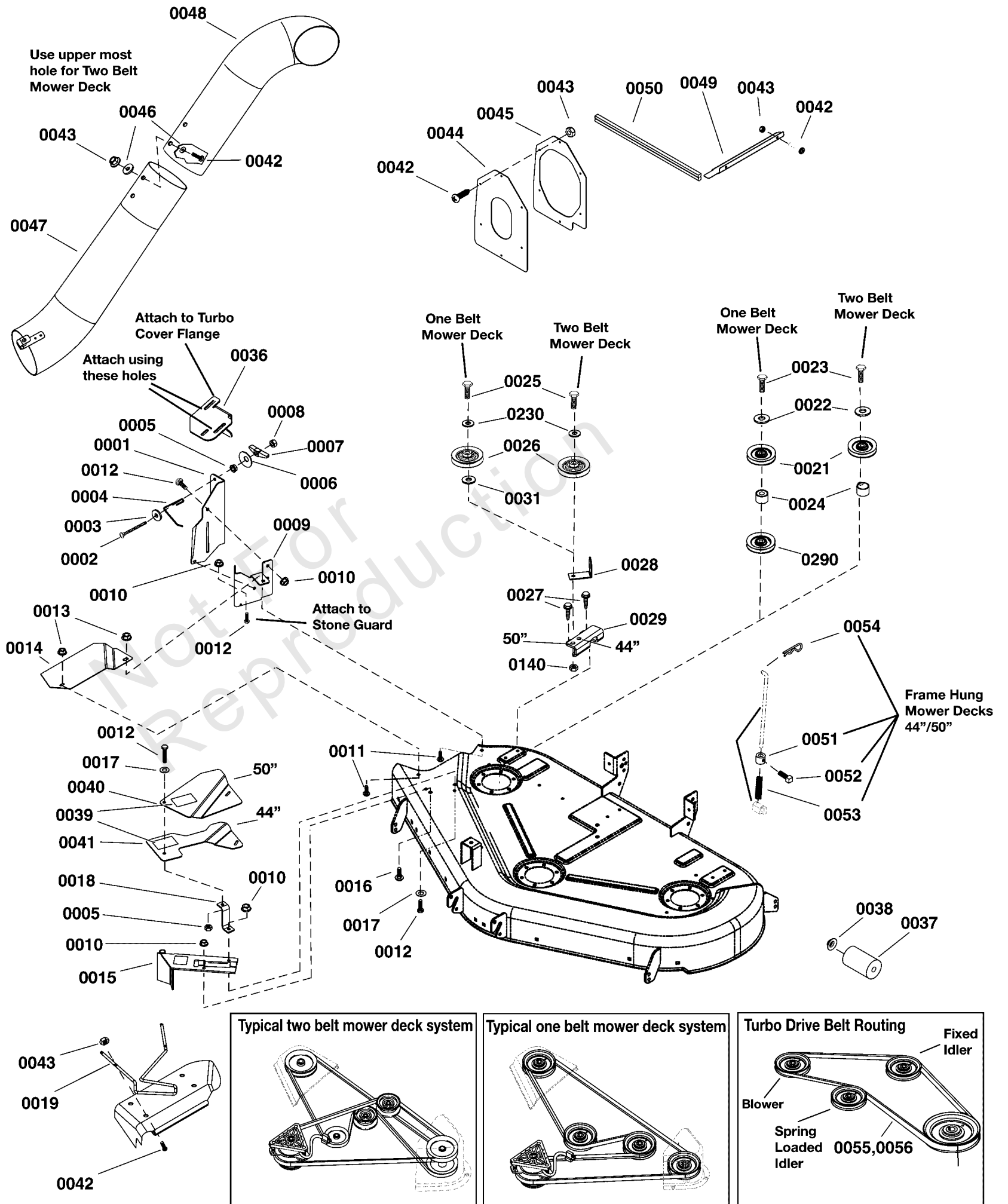
Footnotes:

Note:* Not a serviceable part.

Turbo Mounting Group - Aluminum Arbors

Note: Unless noted otherwise, use the standard torque specifications

Mfg. No: 2691675-00



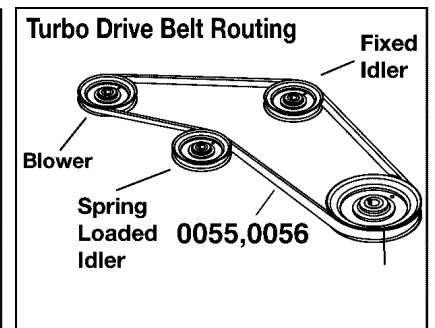
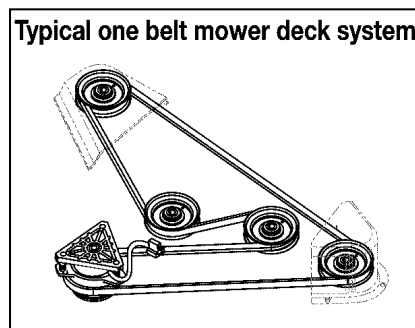
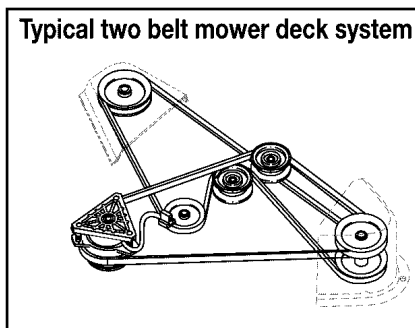
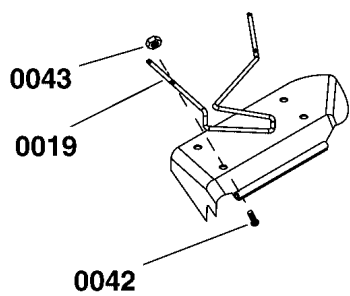
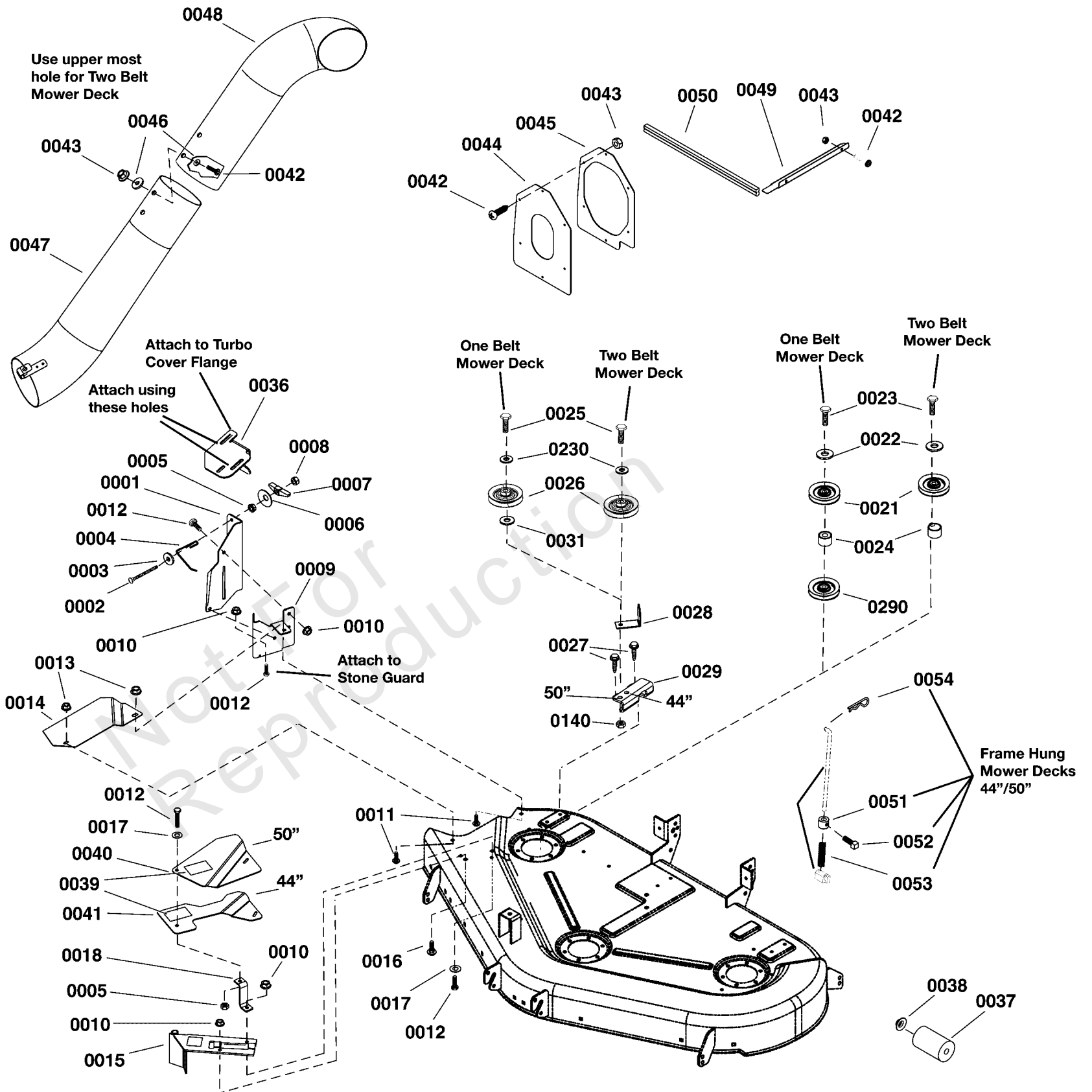
Turbo Mounting Group - Aluminum Arbors

REF NO	PART NO	QTY	DESCRIPTION
0001	1732619ASM	1	BAFFLE, Turbo
0002	1960318SM	1	CAPSCREW, Hex Head, 5/16-18 x 2-1/2 G5 Flat Black
0003	703298	1	WASHER, 5/16
0004	1705064SM	1	SPRING, Latch, .125WIRE 4.3LG Black
0005	1960636SM	2	NUT, Hex, 5/16-18
0006	1709256SM	1	WASHER, Spring, 5/16 x 1 1/4
0007	703065	1	KNOB, Wing, 5/16-18
0008	703902	1	NUT, Hex Nylock, 5/16-18
0009	1732592ASM	1	BRACKET, Baffle
0010	703409	8	NUT, Serrated Lock Flange, 5/16-18
0011	703576	2	BOLT, Carriage, 1/4-20 x 3/4, G5
0012	703408	8	SCREW, Hex Head Cap, 5/16-18 X 7/8, GR5
0013	703061	2	NUT, 1/4-20, Keps, Conical Washer
0014	1732591ASM	1	COVER, Mower
0015	1722546ASM	1	PIVOT & BRACKETS ASSEMBLY, 38, 44 & 50"
0016	703185	1	BOLT, Carriage, 5/16-18 X 3/4
0017	1919326SM	4	WASHER, 5/16
0018	1718304ASM	1	SUPPORT, Belt Cover 10GA 1.0WD 3.0LG
0019	1718295SM	1	ROD
0021	1713090SM	1	PULLEY, 3 3/4
0022	1656916SM	1	WASHER, Spring
0023	1927531SM	1	CAPSCREW, Hex Head, 7/16-14 x 2, G8, Black
0024	706363	1	SPACER, Pulley
0025	703589	1	CAPSCREW, Hex Head, 3/8-16 X 2, GR5
0026	1721134SM	1	PULLEY, 3" OD
0027	704146	2	SCREW, Hex Washer Head, Taptite, 5/16-18 x 1
0028	1724373ASM	1	BRACKET, L 12GA 1.24WD 2.24LG 2.28LG
0029	1756261AYP	1	BRACKET, Idler Pulley
0031	704128	1	WASHER, Flat
0036	1733077ASM	1	LATCH - 38" Turbo
0037	1713540SM	1	ROLLER, 2 1/2 OD
0038	771009	1	PUSHNUT, 5/8
0039	5103184YP	2	DECAL, Warning
0040	1724376ASM	1	COVER, Belt, 50"
0041	1724374ASM	1	COVER, Belt, 44"
0042	1960404SM	13	SCREW, Truss Head, Phillips, #10-24 x 3/4,
0043	703412	13	NUT, Nylock, #10-24
0044	1733741SM	1	SEAL, Cover
0045	1732735ASM	1	FLANGE, Seal
0046	1910531SM	2	WASHER, Rivet, 3/16
0047	1719719SM	1	ASSEMBLY, Tube & Clip, Lower
0048	1732800SM	1	ELBOW, Vacuum
0049	1733580ASM	1	PLATE, Deflector
0050	1733579SM	1	EDGING, 21-1/2"
0051	1719777SM	1	COLLAR, Set
0052	1928721SM	1	SETSCREW, Square Head, 5/16-18 x 1/2, G8
0053	1729277SM	1	SPRING, Composite, 3-5/8
0054	703300	1	PIN, Hair, 3/32 x 1 5/8
0055	84004741	1	V-BELT, Cog, 37.90 -(Use on 44" Mowers)
0056	84004742	1	V-BELT, Cog, 39.62 -(Use on 50" Mowers)

Turbo Mounting Group - Aluminum Arbors

Note: Unless noted otherwise, use the standard torque specifications

Mfg. No: 2691675-00



Turbo Mounting Group - Aluminum Arbors

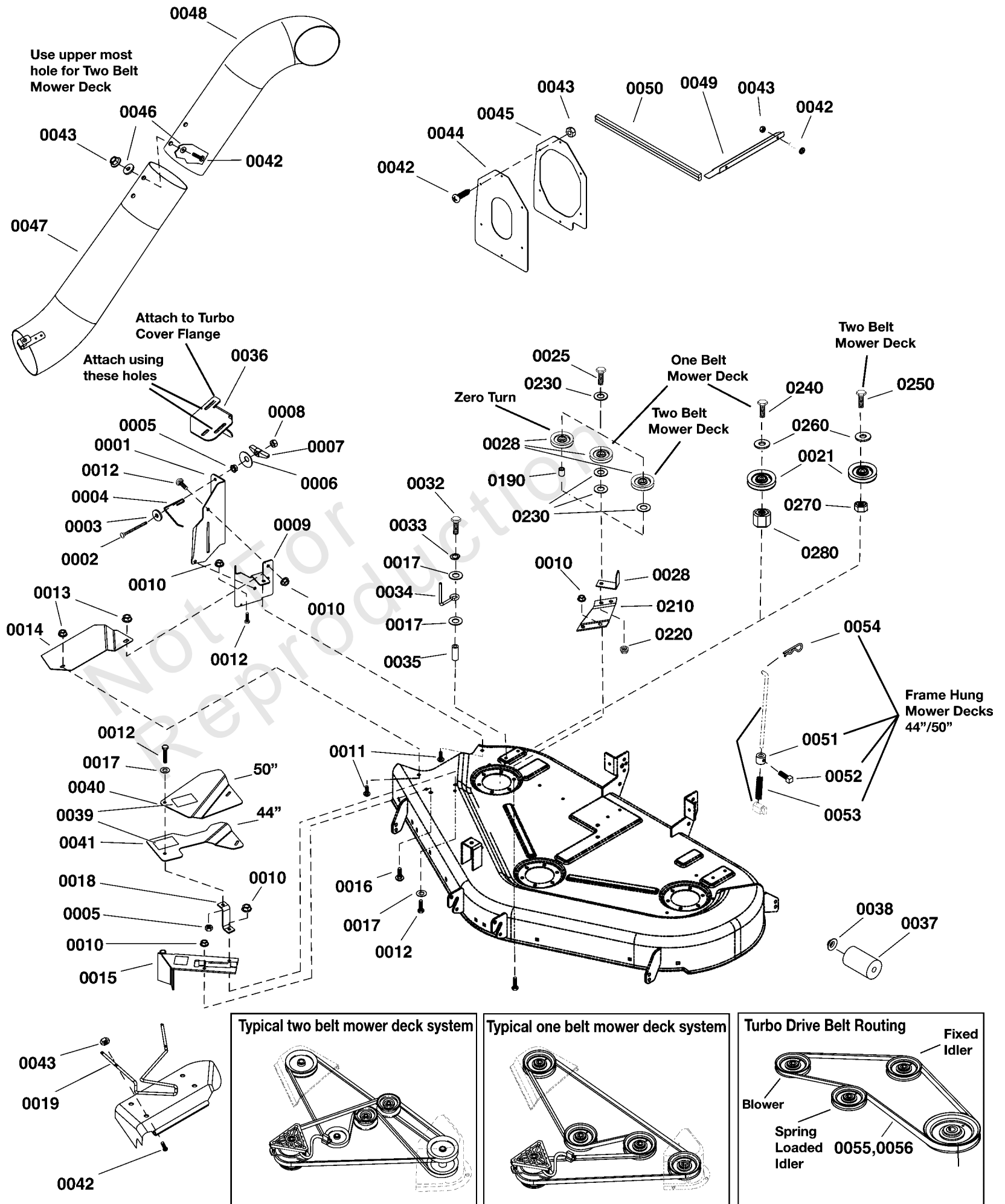
REF NO	PART NO	QTY	DESCRIPTION
0140	703347	1	NUT, 3/8-16, Hex Center-Lock, GR B, Zinc/Clear
0230	703878	3	WASHER, Flat, 13/32 x 7/8 x .083
0290	1755470YP	1	PULLEY, Deep Groove, 4 1/4

Not For Reproduction

Turbo Mounting Group - Steel Arbors

Note: Unless noted otherwise, use the standard torque specifications

Mfg. No: 2691675-00



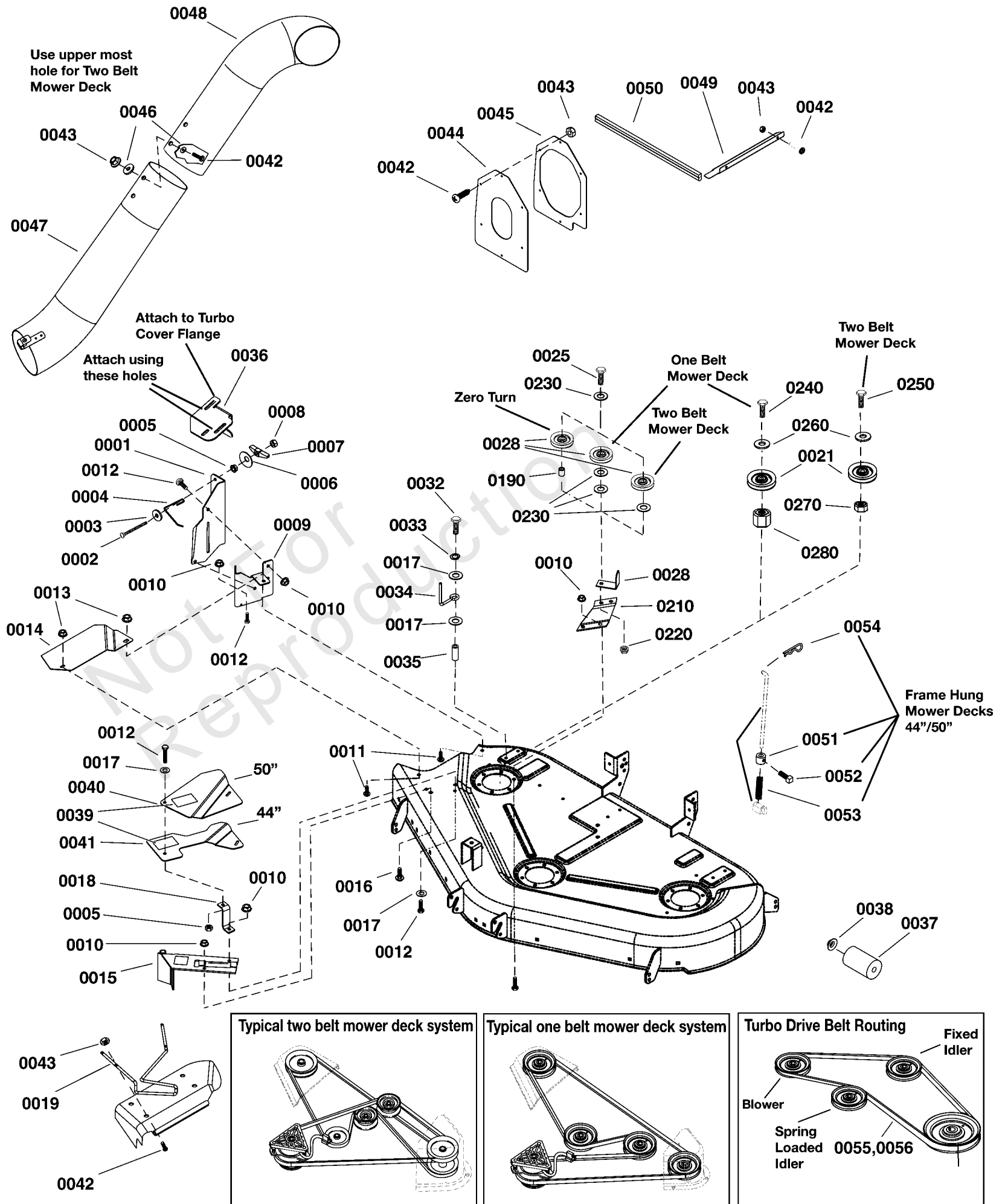
Turbo Mounting Group - Steel Arbors

REF NO	PART NO	QTY	DESCRIPTION
0001	1732619ASM	1	BAFFLE, Turbo
0002	1960318SM	1	CAPSCREW, Hex Head, 5/16-18 x 2-1/2 G5 Flat Black
0003	703298	1	WASHER, 5/16
0004	1705064SM	1	SPRING, Latch, .125WIRE 4.3LG Black
0005	1960636SM	2	NUT, Hex, 5/16-18
0006	1709256SM	1	WASHER, Spring, 5/16 x 1 1/4
0007	703065	1	KNOB, Wing, 5/16-18
0008	703902	1	NUT, Hex Nylock, 5/16-18
0009	1732592ASM	1	BRACKET, Baffle
0010	703409	8	NUT, Serrated Lock Flange, 5/16-18
0011	703576	2	BOLT, Carriage, 1/4-20 x 3/4, G5
0012	703408	8	SCREW, Hex Head Cap, 5/16-18 X 7/8, GR5
0013	703061	2	NUT, 1/4-20, Keps, Conical Washer
0014	1732591ASM	1	COVER, Mower
0015	1722546ASM	1	PIVOT & BRACKETS ASSEMBLY, 38, 44 & 50"
0016	703185	1	BOLT, Carriage, 5/16-18 X 3/4
0017	1919326SM	4	WASHER, 5/16
0018	1718304ASM	1	SUPPORT, Belt Cover 10GA 1.0WD 3.0LG
0019	1718295SM	1	ROD
0021	1713090SM	1	PULLEY, 3 3/4
0025	703589	1	CAPSCREW, Hex Head, 3/8-16 X 2, GR5
0028	1724373ASM	1	BRACKET, L 12GA 1.24WD 2.24LG 2.28LG
0032	703906	1	CAPSCREW, Hex Head, 5/16-18 x 1-1/2, GR5
0033	703116	1	WASHER, Split Lock, .32 x .58 x .08
0034	2172845SM	1	STOP, Belt, .188WIRE 1.750,2.250 Black
0035	1710703SM	1	SPACER, 3/8 x 1/2 x 5/8
0036	1733077ASM	1	LATCH - 38" Turbo
0037	1713540SM	1	ROLLER, 2 1/2 OD
0038	771009	1	PUSHNUT, 5/8
0039	5103184YP	2	DECAL, Warning
0040	1724376ASM	1	COVER, Belt, 50"
0041	1724374ASM	1	COVER, Belt, 44"
0042	1960404SM	13	SCREW, Truss Head, Phillips, #10-24 x 3/4,
0043	703412	13	NUT, Nylock, #10-24
0044	1733741SM	1	SEAL, Cover
0045	1732735ASM	1	FLANGE, Seal
0046	1910531SM	2	WASHER, Rivet, 3/16
0047	1719719SM	1	ASSEMBLY, Tube & Clip, Lower
0048	1732800SM	1	ELBOW, Vacuum
0049	1733580ASM	1	PLATE, Deflector
0050	1733579SM	1	EDGING, 21-1/2"
0051	1719777SM	1	COLLAR, Set
0052	1928721SM	1	SETSCREW, Square Head, 5/16-18 x 1/2, G8
0053	1729277SM	1	SPRING, Composite, 3-5/8
0054	703300	1	PIN, Hair, 3/32 x 1 5/8
0055	84004741	1	V-BELT, Cog, 37.90
0056	84004742	1	V-BELT, Cog, 39.62
0190	2108717SM	1	SPACER, 0.390ID x 0.625OD x .265LG
0210	1704768ASM	1	BRACKET, Z .164TH 5.88WD 3.21LG
0220	703333	1	NUT, 3/8-16, Flanged Lock, GR5
0230	703878	3	WASHER, Flat, 13/32 x 7/8 x .083

Turbo Mounting Group - Steel Arbors

Note: Unless noted otherwise, use the standard torque specifications

Mfg. No: 2691675-00



Turbo Mounting Group - Steel Arbors

REF NO	PART NO	QTY	DESCRIPTION
0240	1713523SM	1	NUT, Sleeve, 9/16-18 x 3/4INT x 1.34LG Black
0250	1733078SM	1	NUT, Sleeve, 9/16-18 x 1.21"
0260	1603592SM	1	WASHER, Bellville, 0.88ID x 1.75OD x .08TH Black
0270	1713623SM	1	HUB, .79 ID 1.50 OD .7 3 LG
0280	1713634SM	1	HUB, Double, 1-9/32 Tall

Not For Reproduction

Hardware Identification & Torque Specifications

Torque Specification Chart								
FOR STANDARD METRIC MACHINE HARDWARE (Tolerance ± 20%)								
Property Class	5.6		8.8		10.9		12.9	
	Class 5.6		Class 8.8		Class 10.9		Class 12.9	
Size Of Hardware	in/lbs	Nm.	in/lbs	Nm.	in/lbs	Nm.	in/lbs	Nm.
	ft/lbs		ft/lbs		ft/lbs		ft/lbs	
M3	5.88	.56	13.44	1.28	19.2	1.80	22.92	2.15
M4	13.44	1.28	30.72	2.90	43.44	4.10	52.56	4.95
M5	26.4	2.50	60.96	5.75	5.97	8.10	7.15	9.7
M6	44.64	4.3	7.3	9.9	10.3	14	12.1	16.5
M7	5.2	7.1	12.1	16.5	16.9	23	19.9	27
M8	7.7	10.5	17.7	24	25	34	29	40
M10	15	21	35	48	50	67	59	81
M12	26	36	61	83	86.2	117	103	140
M14	42	58	101	132	136	185	162	220
M16	64	88	147	200	210	285	250	340
M18	89	121	202	275	287	390	346	470
M20	126	171	290	390	405	550	486	660
M22	169	230	390	530	559	745	656	890
M24	217	295	497	375	708	960	840	1140
M27	320	435	733	995	1032	1400	1239	1680
M30	435	590	995	1350	1401	1900	1681	2280
M33	590	800	1349	1830	1902	2580	2278	3090
M36	759	1030	1740	2360	2441	3310	2935	3980
M39	988	1340	2249	3050	3163	4290	3798	5150

Torque Specification Chart						
FOR STANDARD MACHINE HARDWARE (Tolerance ± 20%)						
Hardware Grade	No Marks		SAE Grade 5		SAE Grade 8	
	SAE Grade 2		SAE Grade 5		SAE Grade 8	
Size Of Hardware	in/lbs	Nm.	in/lbs	Nm.	in/lbs	Nm.
	ft/lbs		ft/lbs		ft/lbs	
8-32	19	2.1	30	3.4	41	4.6
8-36	20	2.3	31	3.5	43	4.9
10-24	27	3.1	43	4.9	60	6.8
10-32	31	3.5	49	5.5	68	7.7
1/4-20	66	7.6	8	10.9	12	16.3
1/4-28	76	8.6	10	13.6	14	19.0
5/16-18	11	15.0	17	23.1	25	34.0
5/16-24	12	16.3	19	25.8	29	34.0
3/8-16	20	27.2	30	40.8	45	61.2
3/8-24	23	31.3	35	47.6	50	68.0
7/16-14	30	40.8	50	68.0	70	95.2
7/16-20	35	47.6	55	74.8	80	108.8
1/2-13	50	68.0	75	102.0	110	149.6
1/2-20	55	74.8	90	122.4	120	163.2
9/16-12	65	88.4	110	149.6	150	204.0
9/16-18	75	102.0	120	163.2	170	231.2
5/8-11	90	122.4	150	204.0	220	299.2
5/8-18	100	136	180	244.8	240	326.4
3/4-10	160	217.6	260	353.6	386	525.0
3/4-16	180	244.8	300	408.0	420	571.2
7/8-9	140	190.4	400	544.0	600	816.0
7/8-14	155	210.8	440	598.4	660	897.6
1-8	220	299.2	580	788.8	900	1,244.0
1-12	240	326.4	640	870.4	1,000	1,360.0

The guides and ruler furnished below are designed to help you select the appropriate hardware.

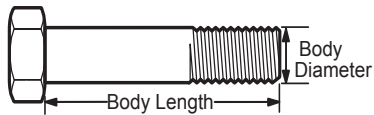


Nut, M8

Thread Diameter (mm)

Inside Diameter (in) Threads per inch

Nut, 1/2-16

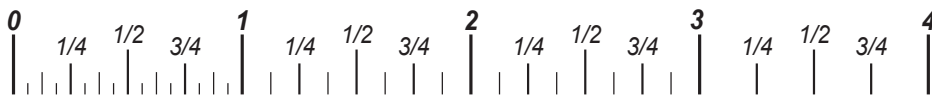


Screw, M8- 1.25 x 25

Thread Diameter (mm) Distance between threads (mm) Body Length (mm)

Body Diameter Threads per inch Body Length (in)

Screw, 1/2- 16 x 2



Standard Hardware Sizing

When a washer or nut is identified as 1/2" (M8), this is the *Nominal size*, meaning the *inside diameter* is 1/2 inch (8mm metric thread diameter); if a second number is present it represents the *threads per inch* (distance between threads).

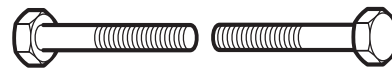
When bolt or capscrew is identified as 1/2 - 16 x 2" (M8 - 1.25 x 50), this means the *Nominal size*, or body diameter is 1/2 inch (8mm metric thread diameter), the second number, 16, represents the *threads per inch*, (*distance between threads*). The final number is the body length of the bolt or screw, 2 inches (50mm).

NOTES

- These torque values are to be used for all hardware excluding: locknuts, self-tapping screws, thread forming screws, sheet metal screws and socket head setscrews.
- Recommended seating torque values for locknuts:
 - for prevailing torque locknuts - use 65% of grade 5 torques.
 - for flange whizlock nuts and screws - use 135% of grade 5 torques.
- Unless otherwise noted on assembly drawings, all torque values must meet this specification.

Common Hardware Types

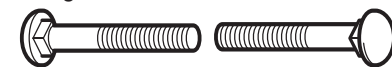
Hex Head Capscrew



Washer



Carriage Bolt



Hex Nut

Wrench & Fastener Size Guide

1/4" Bolt or Nut Wrench—7/16"	5/16" Bolt or Nut Wrench—1/2"	3/8" Bolt or Nut Wrench—9/16"	7/16" Bolt or Nut Wrench (Bolt)—5/8" Wrench (Nut)—11/16"	1/2" Bolt or Nut Wrench—3/4"
M6 Bolt or Nut Wrench—10mm	M8 Bolt or Nut Wrench—13mm	M10 Bolt or Nut Wrench—17mm	M12 Bolt or Nut Wrench—19mm	M14 Bolt or Nut Wrench—22mm

