



Parts Manual

Mfg. No: 2691670-01
Broadmoor, 23 Gross HP Hydro RMO and
44" Mower Deck



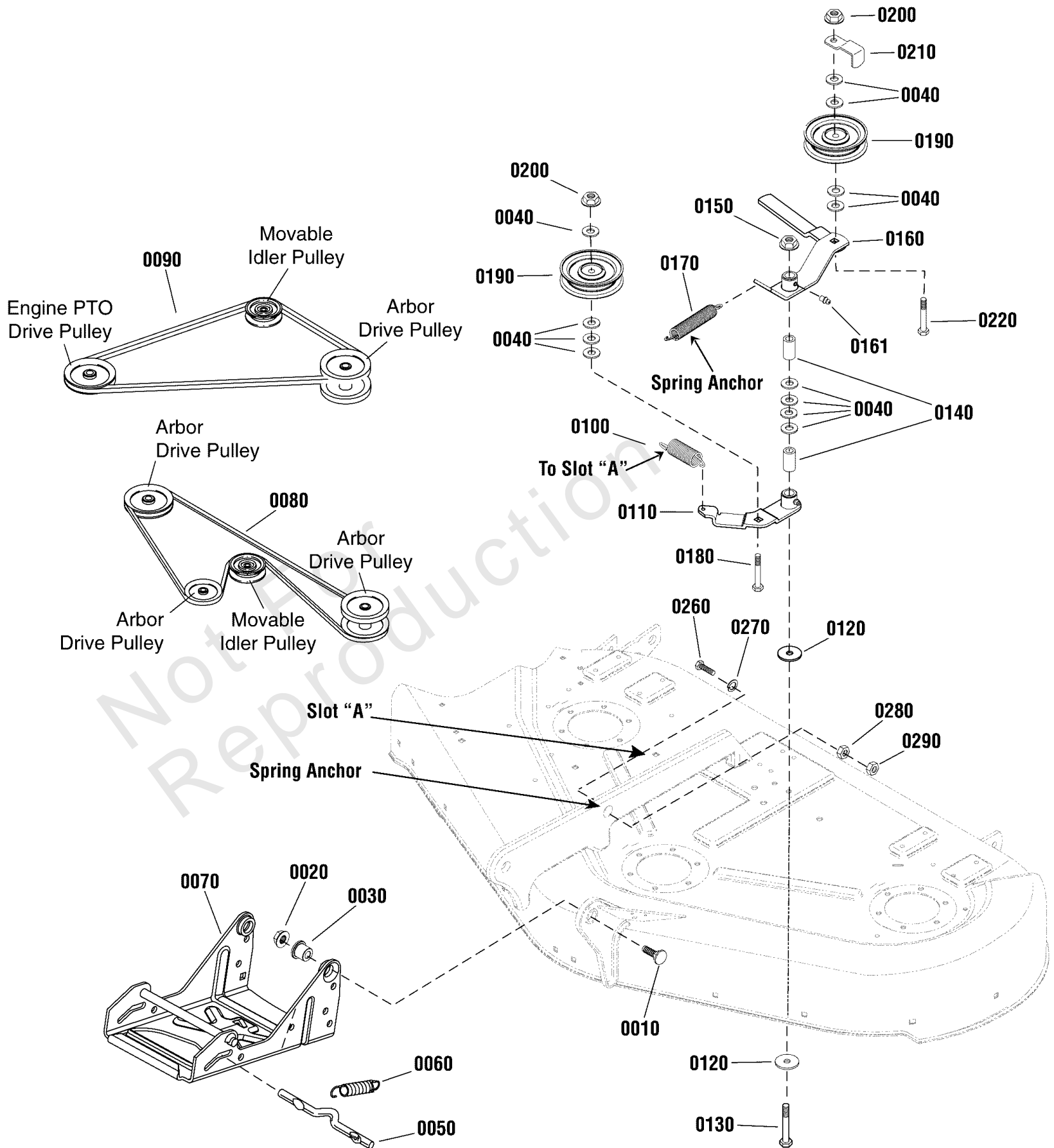
1692125 - Cart, Dump (10 Cu. Ft.)
1694152 - Snow Cab, Soft Side.
1694163 - Wide Body Cart & Hitch.
1694154 - Hitch & Tube Group, Catcher.
1694158 - Catcher, Clean Sweep Triple.
1694153 - Catcher, Clean Sweep Turbo Twin.
1694146 - Hitch, Subframe.
1694286 - Snowthrower Subframe & Hitch.
1693754 - Blade, 42" Angling Dozer.
1694296 - Snowthrower, Single Stage, 46".
1694295 - Snowthrower, Single Stage, 42".
1694238 - Snowthrower, Two-Stage, 42".
1691319SM - Suitcase Weights, 33Lbs.
1692939SM - 50 Lbs. Suitcase Weights.
1694155SM - Front Weight Carrier.
1694389 - Catcher, Clean Sweep Triple.
1694542 - Wide Body Cart Collector.
1690555SM - Weight, Rear Wheel (1 Each).
1695641YP - Dethatcher, Tow- Behind, 40".
1695791 - Tiller, Tow Behind, 36".
1694693 - Catcher, Clean Sweep Turbo Twin.
1695354 - Catcher, Clean Sweep Triple, 44" & 50".
1695596 - Catcher, Clean Sweep Triple, 44" & 50".
1696363-00 - Catcher, Clean Sweep Triple.
1696358-00 - Catcher, Clean Sweep Triple.
1695092SM - Tire Chains (22 x 10 - 8/10, 22 x 9.5 - 12)).
1694947 - Lift Lever Kit.
1695939 - Dozer Blade, 48".
1694757 - Hitch & Tube Group, Catcher.
1695195 - Hitch, Sub Frame, 42" Dozer Blade.
1695196 - Hitch, Sub Frame, 42" Snowthrower.
1694543 - Wide Body Cart Collector Hitch & Tube Kit.
1696361-00 - Wide Body Cart Collector Hitch & Tube Kit.
1694957SM - Grass Mulcher Kit, 44".
1695412 - Turbo, 38", 44" & 50" Mower Deck.
1695756 - Turbo, 38", 44" & 50" Mower Deck.
1696450-00 - Turbo, 44" & 50" Mower Deck w/Aluminum Spindles.
1696450-01 - Turbo, 44" & 50" Mower Deck w/Steel or Aluminum Spindles.
1695613 - Snow Cab, Soft Side.
1696323YP - Rear Weight Carrier.
1694144 - Snowthrower, Single-Stage, 42".
1694874 - Snowthrower, Two Stage, 42".
1695099 - Snowthrower, Two Stage, 42".
1695297 - Snowthrower, Single Stage, 42".
1695298 - Snowthrower, Single Stage, 46".
1696425-00 - Snowthrower, Single Stage, 42".
1695360-01 - Snowthrower Attachment, Two Stage, 42".
1696445-02 - 44" Stamped Mower Deck.
1694389-01 - Catcher, Clean Sweep Triple.
1696358-01 - Catcher, Clean Sweep Triple.
1696358A-00 - Catcher, Clean Sweep Triple.
1696363-01 - Catcher, Clean Sweep Triple.
1696363A-00 - Catcher, Clean Sweep Triple.
1694389A-00 - Catcher, Clean Sweep Triple.
1694147-01 - Hitch, Dozer Blade.

Model Components	Page
44" (112cm) Mower Deck - Clutch & Support Group.....	4
44" (112cm) Mower Deck - Height Adjust & Roller Group.....	6
44" (112cm) Mower Deck - Housing, Arbors & Blades Group (2992336).....	10
Controls Group.....	12
Cruise Control Group.....	14
Decals Group.....	16
Electrical Group - Hourmeter.....	18
Electrical Schematic -.....	20
Engine Group - 23 Gross HP Briggs & Stratton.....	22
Frame & Front Axle Group.....	24
Hood, Grille & Dash Group.....	26
Lift Group, Broadmoor.....	28
Seat Deck Group.....	30
Seat Group.....	32
Steering Group - Manual.....	34
Transmission Group - Tuff Torq K57AF.....	36
Transmission SERVICE PARTS - Tuff Torq K57AF (1755450).....	38
Wheels & Tires Group.....	42
Turbo, Blower Assembly.....	44
Turbo, Mounting Kit.....	46
Turbo, Mounting Kit.....	52
Turbo Blower Group.....	58
Turbo Mounting Kit.....	60
Update Kit.....	64
Turbo Mounting.....	66
Turbo Mounting Group - Aluminum Arbors.....	70
Turbo Mounting Group - Steel Arbors.....	74
Torque Specification Chart.....	78

44" (112cm) Mower Deck - Clutch & Support Group

Note: Unless noted otherwise, use the standard torque specifications

Mfg. No: 2691670-01



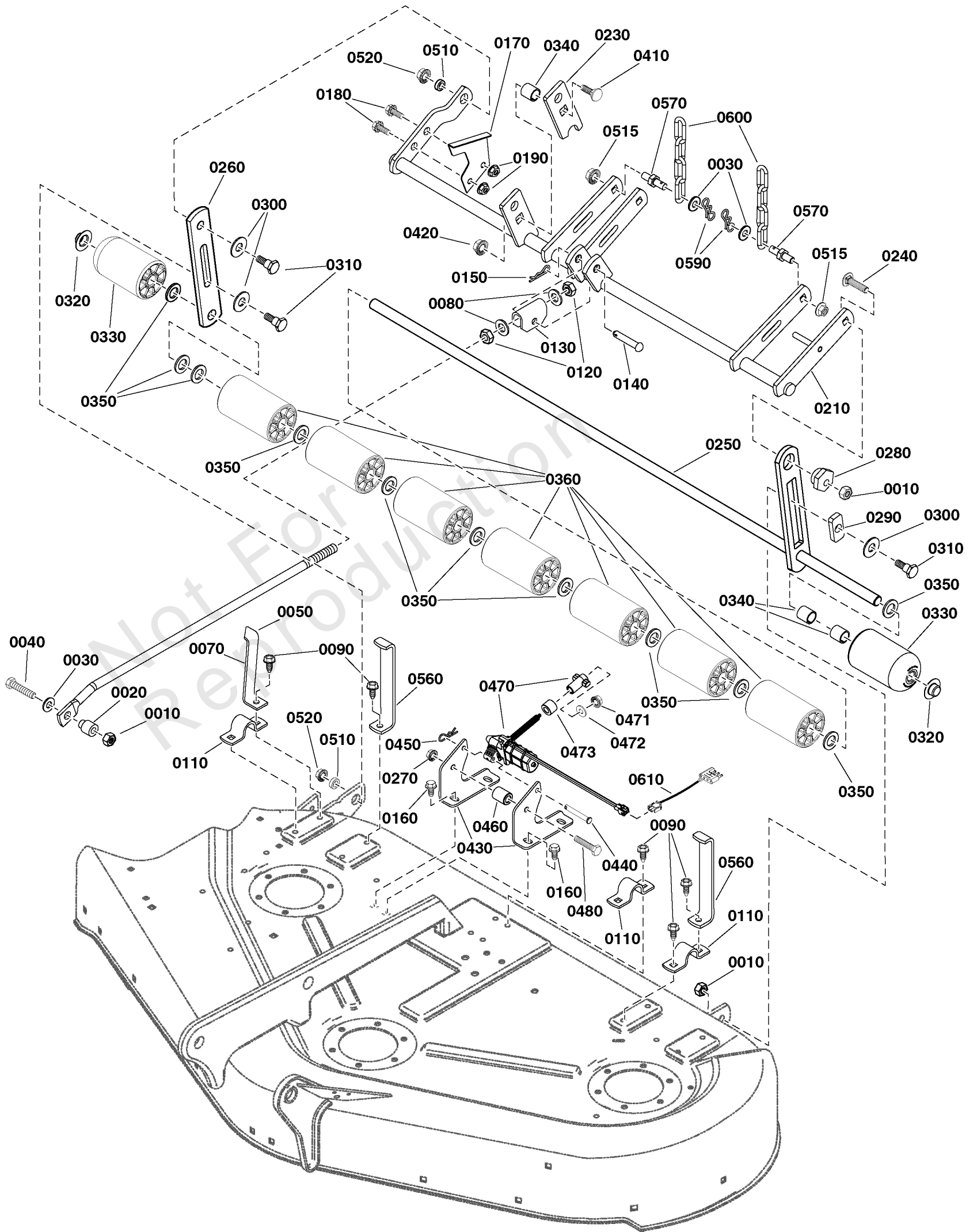
44" (112cm) Mower Deck - Clutch & Support Group

REF NO	PART NO	QTY	DESCRIPTION
0010	1931352SM	2	BOLT, Carriage, Short Neck, 3/8-16 x 1-1/2
0020	703158	2	NUT, Flange, 3/8-16
0030	1732443SM	2	SPACER, 3/8 x 3/4 x 3/4
0040	1924940SM	12	WASHER, 3/8
0050	1715759SM	1	ROD, 3/8 x 8
0060	2156302SM	1	SPRING
0070	1760192AYP	1	ASSEMBLY-HITCH
0080	1721532SM	1	BELT, 83.1
0090	1601672SM	1	V-BELT, Mower Drive
0100	1656936SM	1	SPRING
0110	1718561SM	1	LEVER ASSEMBLY, Idler
0120	703591	2	WASHER, .406X1.5X.12
0130	703182	1	HHCS, 3/8-16 X 3.500
0140	1674669SM	2	SPACER-0.39 IDX0.625O
0150	703893	1	NUT, CNTR LCK, 3/8-16
0160	1704658SM	1	LEVER ASSEMBLY, Idler Arm -(Includes Ref. No. 0161)
0161	2812808SM	2	FITTING, Grease
0170	1715435SM	1	SPRING, EXTENSION, 1.
0180	1960315SM	1	CARRIAGE BOLT, 3/8-16 x 2
0190	1724387SM	2	PULLEY, Idler
0200	703158	2	NUT, Flange, 3/8-16
0210	1677135ASM	1	BELT STOP, Idler
0220	1960315SM	1	CARRIAGE BOLT, 3/8-16 x 2
0260	703570	1	CAPSCREW, Hex Head, 5/16-18 x 1 1/4
0270	703116	1	LCKWSHR
0280	703465	1	NUT, 5/16-18, GR5
0290	703164	1	NUT

44" (112cm) Mower Deck - Height Adjust & Roller Group

Note: Unless noted otherwise, use the standard torque specifications

Mfg. No: 2691670-01



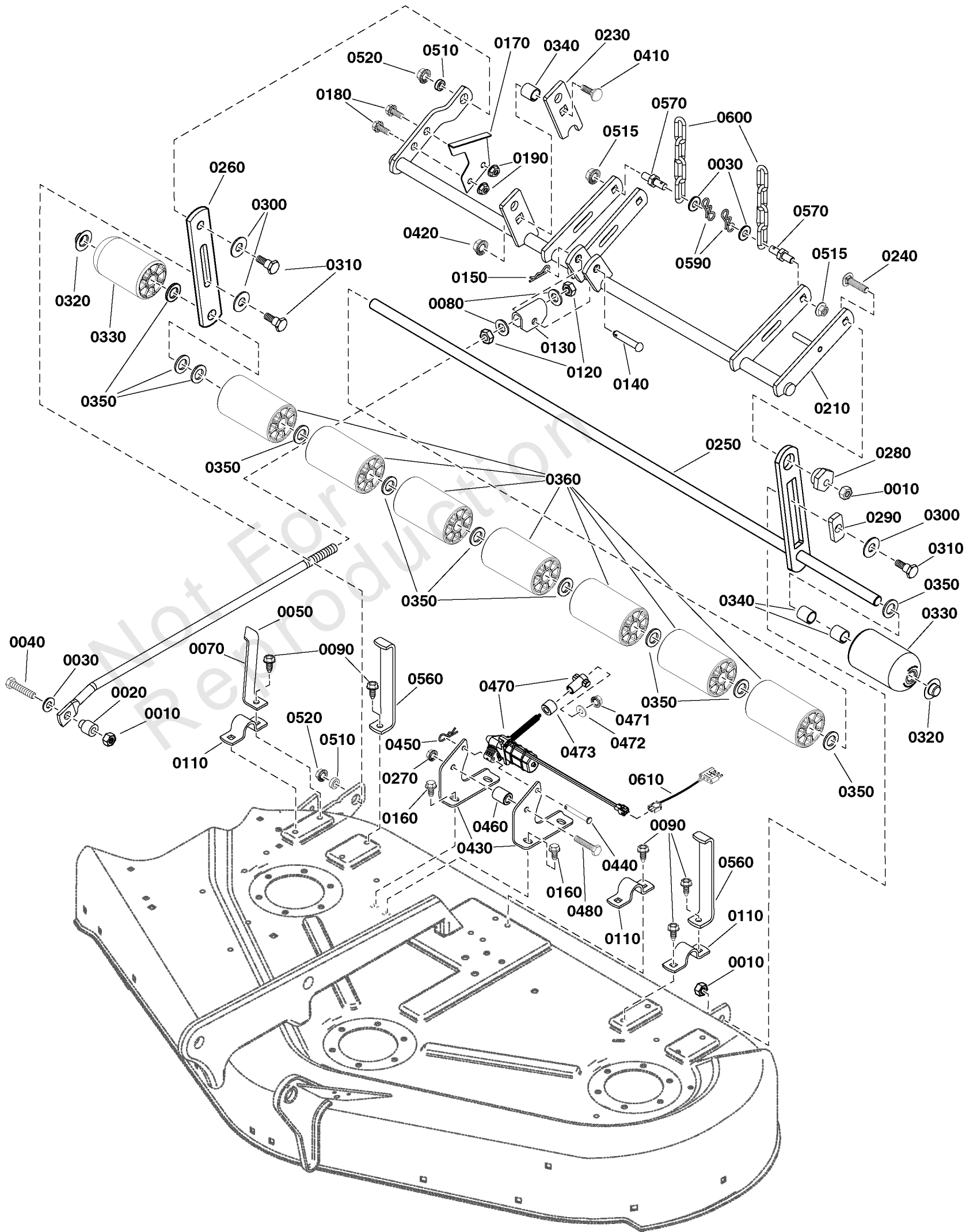
44" (112cm) Mower Deck - Height Adjust & Roller Group

REF NO	PART NO	QTY	DESCRIPTION
0010	2860681SM	3	NUT, Hex Flange, 3/8-16
0020	1706644SM	1	SPACER, 3/8X3/4X15/16
0030	1924940SM	3	WASHER, 3/8
0040	1922606SM	1	CAPSCREW, Hex Head, 3/8-16 x 1-3/4
0050	1704093SM	1	ROD, Adjustment
0070	1756133AYP	1	INDICATOR, HOC
0080	1960170SM	2	WASHER, 1/2
0090	703228	8	SCREW, 5/16-18 X .75
0110	1665374SM	3	STRAP-1.00WD 3.06LG .
0120	1913744SM	2	NUT, Hex Jam, 1/2-13
0130	1704081ASM	1	TRUNNION
0140	2118053SM	1	PIN, Round Head, 3/8 x 2
0150	1960074SM	1	CLIP, HAIR PIN .093DI
0160	703228	4	SCREW, 5/16-18 X .75
0160	1930601SM	4	SCREW, Hex Washer Head, Taptite, 5/16-18 x 5/8
0170	1756350AYP	1	BRACKET, Height Of Cut
0180	1930591SM	2	SCREW, Hex Flange, Whiz Lock, 5/16-18 x 3/4
0190	1931277SM	2	NUT, Hex Flange, Whiz Lock, 5/16-18
0210	1756039AYP	1	ROCKER SHAFT ASSEMBLY, Electric HOC
0230	1733386ASM	1	ARM, Mower, Rear
0240	1931352SM	1	BOLT, Carriage, Short Neck, 3/8-16 x 1-1/2
0250	1716159ASM	1	SHAFT ASSEMBLY, Roller
0260	1704074ASM	1	BAR, Roller
0270	1927557SM	1	NUT, Hex Flange, Whiz Lock, 5/16-18
0280	1704082SM	1	NUT, Hex Adjusting, 11/16
0290	1677507SM	1	SLIDE, .803 x 1.7
0300	1924361SM	3	WASHER, 1/2
0310	2172622SM	3	BOLT, Shoulder, 3/8-16 X 1.34, 1/2 Shoulder
0320	1960520SM	2	NUT, Push, 5/8
0330	1722036SM	2	ROLLER, Rounded, 4.1 LG, 650 ID, 2.50 OD Rounded End
0340	1602946SM	3	SPACER, .66 ID
0350	1924366SM	11	WASHER, 5/8
0360	1668513SM	7	ROLLER, .652 ID, 2.50 OD, 4.10 LG
0410	1960706SM	1	BOLT, Carriage, Short Neck, 1/2-13 x 2
0420	1960689SM	1	NUT, Hex, Toplock Flange, 1/2-13
0430	1756489AYP	2	BRACKET, Motor
0440	1739295YP	1	PIN, Shear
0450	1960221SM	1	CLIP, Hair Pin, 1-5/16"
0460	1733068SM	1	SPACER-0.390IDX0.750O
0470	1753528YP	1	MOTOR, Deck Lift
0471	1960757SM	1	NUT, Hex, 1/4-20, LH
0472	1921319SM	1	WASHER, 1/4
0473	5045178SM	1	SPACER, .52 X 1.00 X
0480	1922127SM	1	SCREW, Hex Head Cap, 5/16-18 x 1 3/4
0510	1663752SM	2	SPACER, 25/64 x 5/8 x 3/16
0515	1960687SM	2	NUT, Hex Flange, ESNA, 3/8-16
0520	1960339SM	2	NUT, Hex Flange, MAC, 3/8-16
0560	1733226ASM	2	UPSTOP
0570	703816	2	PIN, Threaded Shoulder
0590	1722320SM	2	PIN, Cotter Locking
0600	1708088ASM	2	CHAIN-LINK 06.08 - BL

44" (112cm) Mower Deck - Height Adjust & Roller Group

Note: Unless noted otherwise, use the standard torque specifications

Mfg. No: 2691670-01



44" (112cm) Mower Deck - Height Adjust & Roller Group

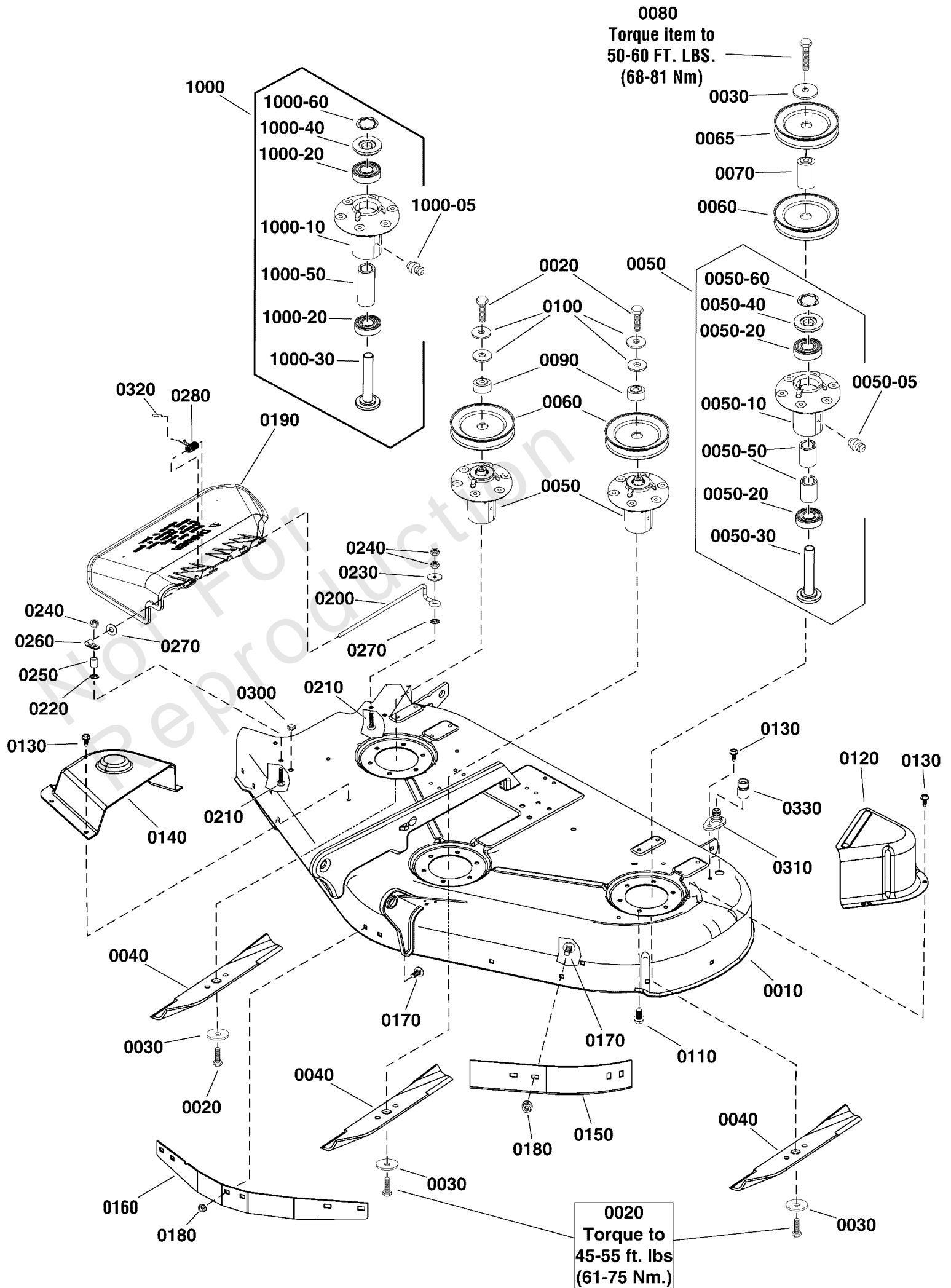
REF NO	PART NO	QTY	DESCRIPTION
0610	84004716	1	HARNESS, Jumper

Not For Reproduction

44" (112cm) Mower Deck - Housing, Arbors & Blades Group (2992336)

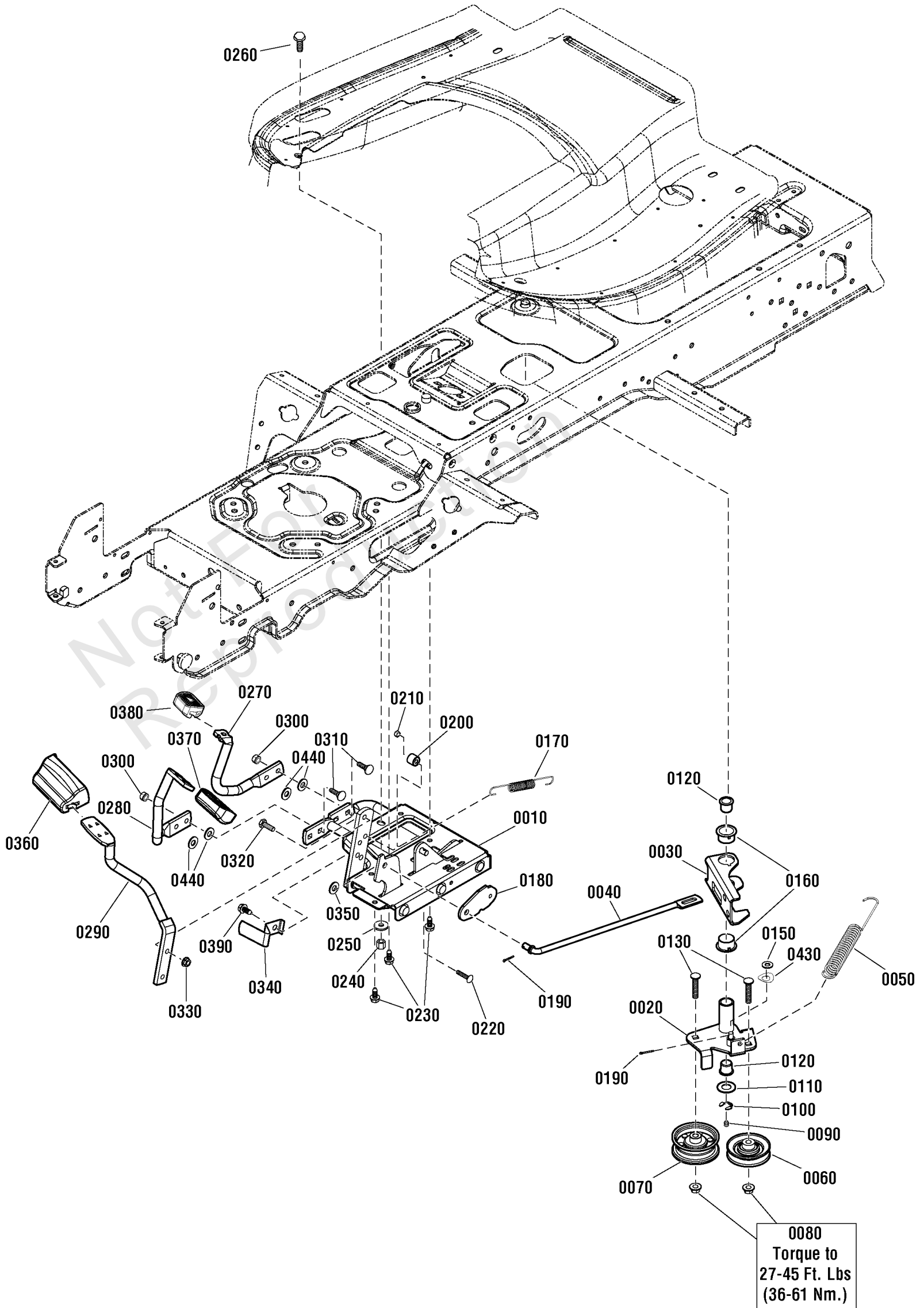
Note: Unless noted otherwise, use the standard torque specifications

Mfg. No: 2691670-01



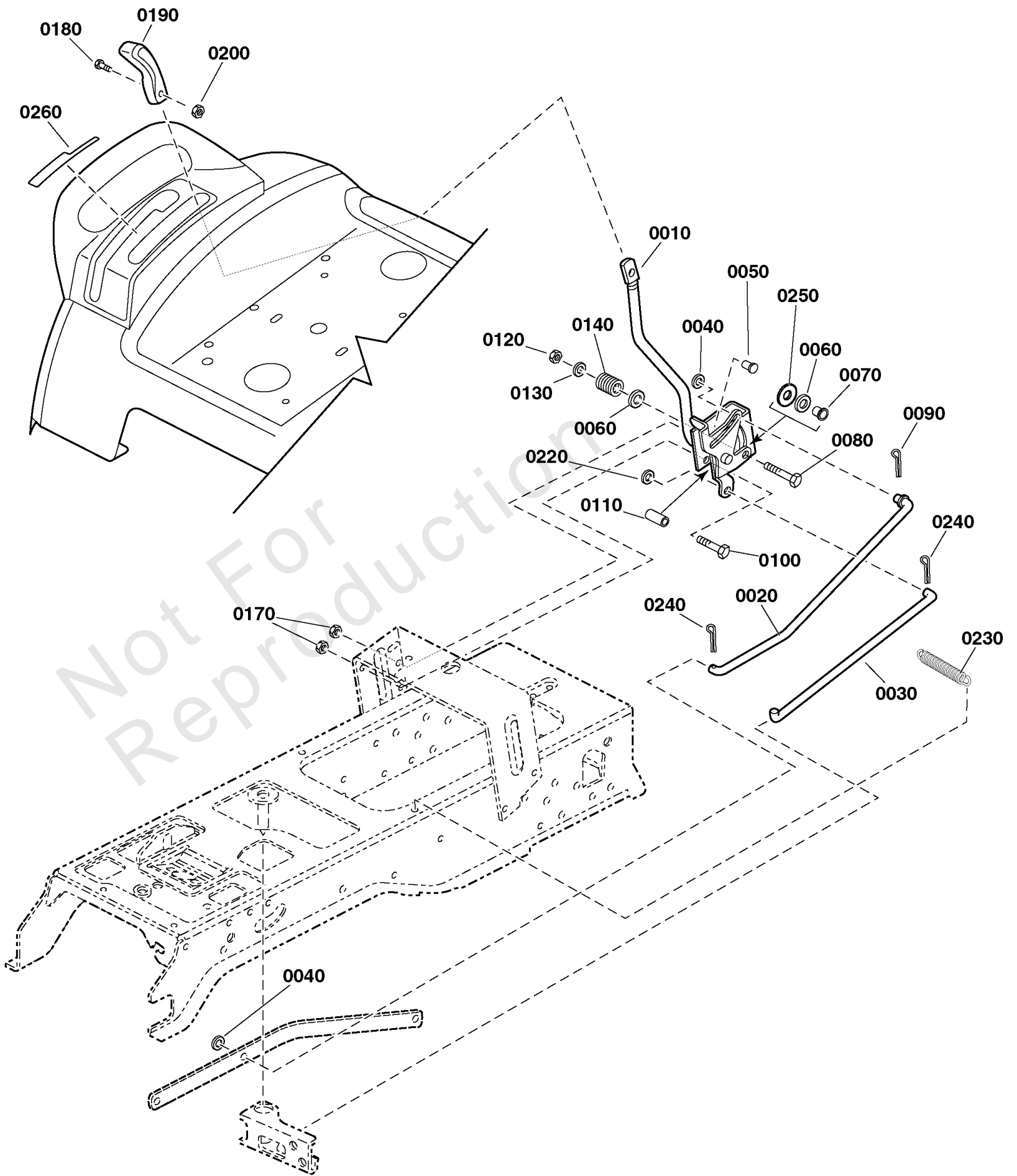
44" (112cm) Mower Deck - Housing, Arbors & Blades Group (2992336)

REF NO	PART NO	QTY	DESCRIPTION
0010	770591	1	DECK, Mower, 44"
0020	703579	5	HHCS, 7/16-14X1.25
0030	1656916SM	4	WASHER, SPRING 0.475I
0040	1727774ASM	3	BLADE, Mower 44"
0050	84001644	3	ARBOR ASSEMBLY -(Replaced by Ref. Nos. 1000, this arbor assembly is an exact replacement)
0050-05	1704314SM	1	LUBE FITTING, .250 DR
0050-10	1755437YP	3	HOUSING, w/Lube Fitting
0050-20	1735399YP	1	BEARING, Ball, 20mm
0050-30	1760276YP	1	SHAFT-SPINDLE -(Replaced by Ref. Nos. 1000-30, this spindle shaft is an exact replacement)
0050-40	1735323YP	1	SHIELD, Arbor
0050-50	1735328YP	2	SPACER, Bearing -(Replaced by Ref. Nos. 1000-50, this spacer is an exact replacement)
0050-60	1960766SM	1	RING, Self Locking
1000	84003172	3	ARBOR ASSEMBLY
1000-05	1704314SM	1	LUBE FITTING, .250 DR
1000-10	84003653	1	HOUSING ASSEMBLY
1000-20	1735399YP	2	BEARING, Ball, 20mm
1000-30	84003165	1	SHAFT, Spindle
1000-40	84003166	1	COVER, ARBOR
1000-50	84003167	1	SPACER, BEARING
1000-60	1960766SM	1	RING, Self Locking
0060	1755470YP	3	PULLEY, Deep Groove, 4 1/4
0065	1732951SM	1	PULLEY-04.60 OD 1.000
0070	1755439YP	1	HUB, Pulley Double
0080	705439	1	CAPSCREW, Hex Head, 7/16-14 X 3 1/4
0090	1735579YP	2	SPACER, Lower Drive
0100	1960769YP	4	WASHER, Belleville
0110	704146	18	SCREW, HEX, 5/16-18X1
0120	1720560ASM	1	COVER, Arbor LH
0130	703228	12	SCREW, 5/16-18 X .75
0140	1715673SM	1	COVER, Arbor (RH)
0150	1724538ASM	1	BAFFLE, Blowout, Short
0160	1734181ASM	1	BAFFLE, Front
0170	703125	6	BOLT, Carriage, 5/16-18 x 5/8, GR5
0180	1927557SM	7	NUT, Hex Flange Lock, Large, 5/16-18
0190	1705449SM	1	DEFLECTOR, Discharge
0200	1706709SM	1	ROD-.283DIA 11.65LG D
0210	1931320SM	1	BOLT, Carriage, Short Neck, 1/4-20 x 1-1/4, G5
0220	1960674SM	2	NUT-PUSH PAL .250 DIA
0230	703229	1	WASHER, 1/4
0240	1920397SM	3	NUT, Hex Lock, ESNA Light, 1/4-20
0250	1710703SM	1	SPACER, 3/8 x 1/2 x 5/8
0260	1704873SM	1	CLAMP, WIRE, .312DIA
0270	1919326SM	1	WASHER, 5/16
0280	1759750YP	1	SPRING
0300	1705115SM	1	PLUG, Button
0310	1735716YP	1	ADAPTER, Washout Port
0320	1723323SM	1	CAP, Spring End
0330	1756246YP	1	CONNECTOR, Washout Port



Controls Group

REF NO	PART NO	QTY	DESCRIPTION
0010	1755599AYP	1	FOOT PEDAL ASSEMBLY
0020	1726882SM	1	IDLER ARM ASSEMBLY
0030	1722513SM	1	ARM, Brake, 5.43
0040	1721476SM	1	ROD, Brake
0050	1725250SM	1	SPRING, Extension, 7-3/4
0060	1721134SM	1	PULLEY, 3" OD
0070	1721133SM	1	PULLEY, IDLER
0080	1960687SM	2	NUT, Hex Flange, ESNA, 3/8-16
0090	2821133SM	1	FITTING, Lube
0100	1704420SM	1	RING, Klipring, 5/8
0110	1960020SM	1	WASHER, Plain, 21/32
0120	1663114SM	2	BUSHING, Nylon, 5/8 ID x 3/4 OD x 3/4
0130	1931353SM	2	BOLT, Carriage, Short Neck, 3/8-16 x 1-3/4, GR5
0150	1919326SM	1	WASHER, 5/16
0160	1723237SM	2	BUSHING, Nylon, 1 x 1-1/8 x 5/8
0170	1721995SM	1	SPRING, Extension, 5/8 x 6-5/8
0180	1755598AYP	1	LATCH, Parking Brake
0190	703312	2	PIN, COTTER, 3/32X.75
0200	1732564SM	1	SPACER, 1/4 x 5/8 x 1/2
0210	1920397SM	1	NUT, Hex Lock, ESNA Light, 1/4-20
0220	1931320SM	1	BOLT, Carriage, Short Neck, 1/4-20 x 1-1/4, GR5
0230	703228	3	SCREW, 5/16-18 X .75
0240	1919438SM	1	NUT, Hex Lock, ESNA Light, 5/8-18
0250	1919381SM	1	WASHER, 5/16
0260	703410	1	BOLT, 5/16-18X1
0270	1722071ASM	1	PEDAL, Reverse
0280	1722070ASM	1	PEDAL, Forward
0290	1722535ASM	1	PEDAL, Brake
0300	704067	4	NUT, HEX FLNG, 5/16-18
0310	703800	4	BOLT, CRRG, 5/16-18X1
0320	703570	2	CAPSCREW, Hex Head, 5/16-18 x 1 1/4
0320	703570	2	CAPSCREW, Hex Head, 5/16-18 x 1 1/4
0330	1927557SM	2	NUT, Hex Flange, Whiz Lock, 5/16-18
0340	1755620AYP	1	ACTUATOR, Switch
0350	1924940SM	1	WASHER, 3/8
0360	1721577SM	1	PAD, Brake Pedal
0370	1721675SM	1	PAD, Foot Pedal, Forward
0380	1721674SM	1	PAD, Foot Pedal, Reverse
0390	5025059X6SM	1	SCREW, Self Tapping, 5/16-18 x 3/4
0430	5023202SM	1	WASHER, WAVE, M10
0440	703878	4	WASHER, FLAT

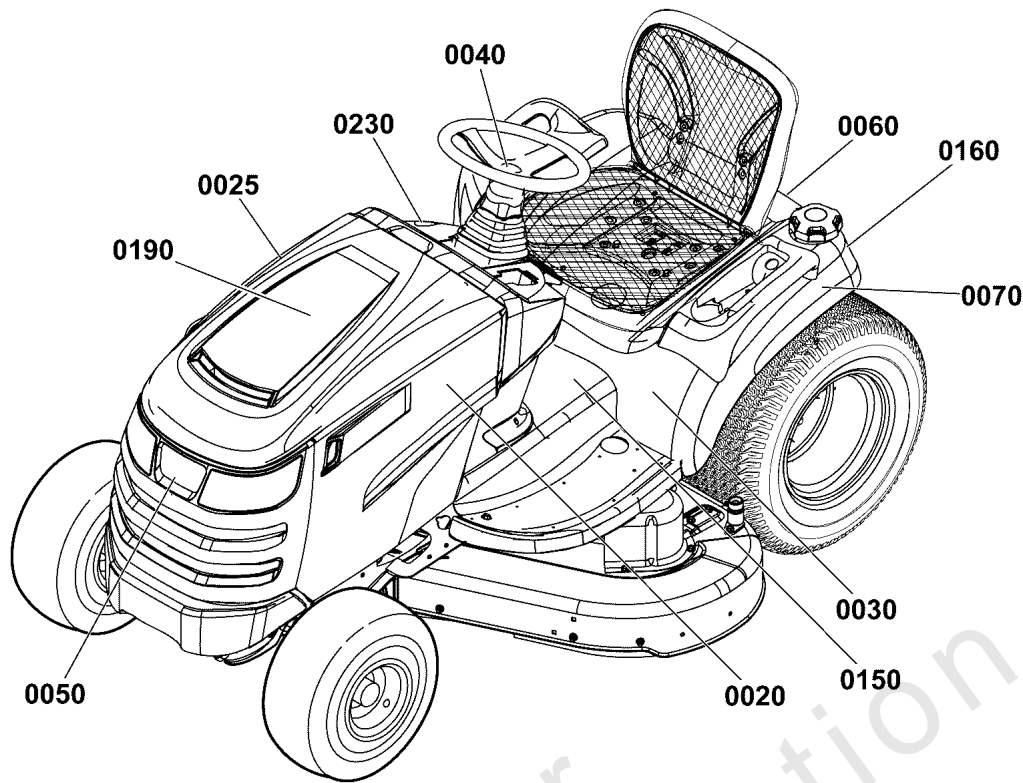


Cruise Control Group

REF NO	PART NO	QTY	DESCRIPTION
0010	1722003AYP	1	LEVER & BRACKET ASSEMBLY, Cruise
0020	1722117SM	1	ROD, Cruise
0030	1733719SM	1	ROD, Neutral Return, 8"
0040	1960103SM	2	WASHER, 3/8"
0050	1931333SM	1	BOLT, Carriage, Short Neck, 5/16-18 x 3/4, GR 5
0060	2826192SM	2	WASHER, 1/2
0070	1709043SM	1	SPACER, w/Flange, 11/32 x 15/32 x 3/4
0080	1931342SM	1	BOLT, Carriage, Short Neck, 5/16-18 x 2-3/4, GR5
0090	703312	1	PIN, COTTER, 3/32X.75
0100	1960273SM	1	BOLT, Carriage, Short Neck, 5/16-18 x 2-1/4, GR5
0110	1722080SM	1	SPACER, 11/32 x 5/8 x 1-13/32
0120	1919438SM	1	NUT, Hex Lock, Nylon Insert, 5/16-18
0130	1919381SM	1	WASHER, Flat, .34 ID x 1" OD
0140	1677746SM	1	SPRING, Compression (Later models only)
0170	1960636SM	2	NUT, Hex, 5/16-18
0180	1960666SM	1	SCREW, Torque Head Plus Socket Head, 1/4-20 x 7/8
0190	1722303SM	1	HANDLE, SHIFT
0200	1920397SM	1	NUT, Hex Lock, ESNA Light, 1/4-20
0220	1919326SM	1	WASHER, 5/16
0230	703144	1	SPRING
0240	1722460SM	2	PIN, Hair
0250	1705928SM	1	DISC., Friction
0260	1723713SM		DECAL, Crusie / Lift

Footnotes:

Note:* Not used on Suspension models with K 62 transmission



Simplicity

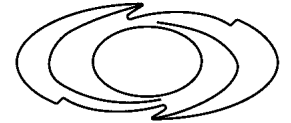
0020 / 0025

BROADMOOR™

0030



0040



0050

<p>Amputation hazard Rotating blades cut off arms and legs.</p> <ul style="list-style-type: none"> Stop the mower when children or others are near. Do not carry riders (especially children) near with the blades off. They may fall off or return for another ride when you are not expecting it. Look down and behind before and while backing. 	<p>Loss of control and roll-over hazard Operating an mower can be hazardous and cause loss of control and roll-overs.</p> <ul style="list-style-type: none"> Avoid sudden turns or rapid speed changes. Reduce speed and use extreme caution on slopes. Go up and down slopes, NOT across. Do not operate on slopes over 10 degrees. If machine stops while going uphill, stop the blades and back down slowly. 	<p>Water, retaining walls and drop-off hazards Mowers dropping over edges may result in serious injury, death or drowning.</p> <ul style="list-style-type: none"> Do NOT operate near water, retaining walls or drop-offs. Give yourself a minimum of two meter widths of clearance around these hazards.
<p>WARNING</p> <p>Avoid serious injury or death Read the operator's manual before using this product.</p> <ul style="list-style-type: none"> Do NOT operate this machine unless you are trained. Know the location and function of all controls. Keep safety devices (guards, shields, switches, etc.) in place and working. Remove objects that could be thrown by the blades. Be sure battery and engine are stopped before placing hands or feet near blades. When leaving machine, shut off, remove key, and set parking brake. 		
<p>Fire hazard Gasoline is flammable. Tard debris is combustible.</p> <ul style="list-style-type: none"> Allow engine to cool for at least 3 minutes before refueling. Keep area cleared of debris. This equipment may create sparks that can start fires around dry vegetation. A spark arrester may be required. Contact local fire agencies for regulations relating to the prevention requirements. 		

0150

Simplicity

0060

AUTOMATIC CONTROLLED TRACTION™

0070



0160

TOUCH-UP PAINT PART NUMBERS

13 Oz. Spray Can Paint
Deep Orange 1685611

0190



0230



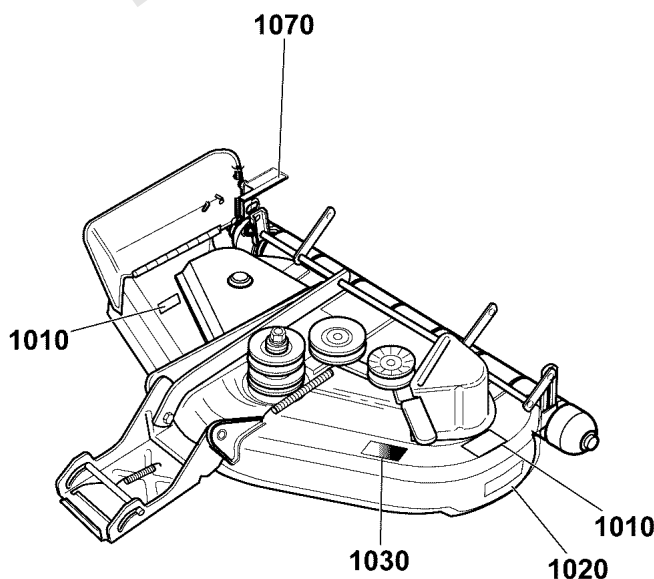
0260

⚠ DANGER

Amputation and thrown objects hazard

- Keep hands and feet away from deck.
- Do not operate mower unless discharge chute or entire grass catcher is in its proper place.

1010



Free Floating™ Mower

1020

44"
112cm

1030



1070

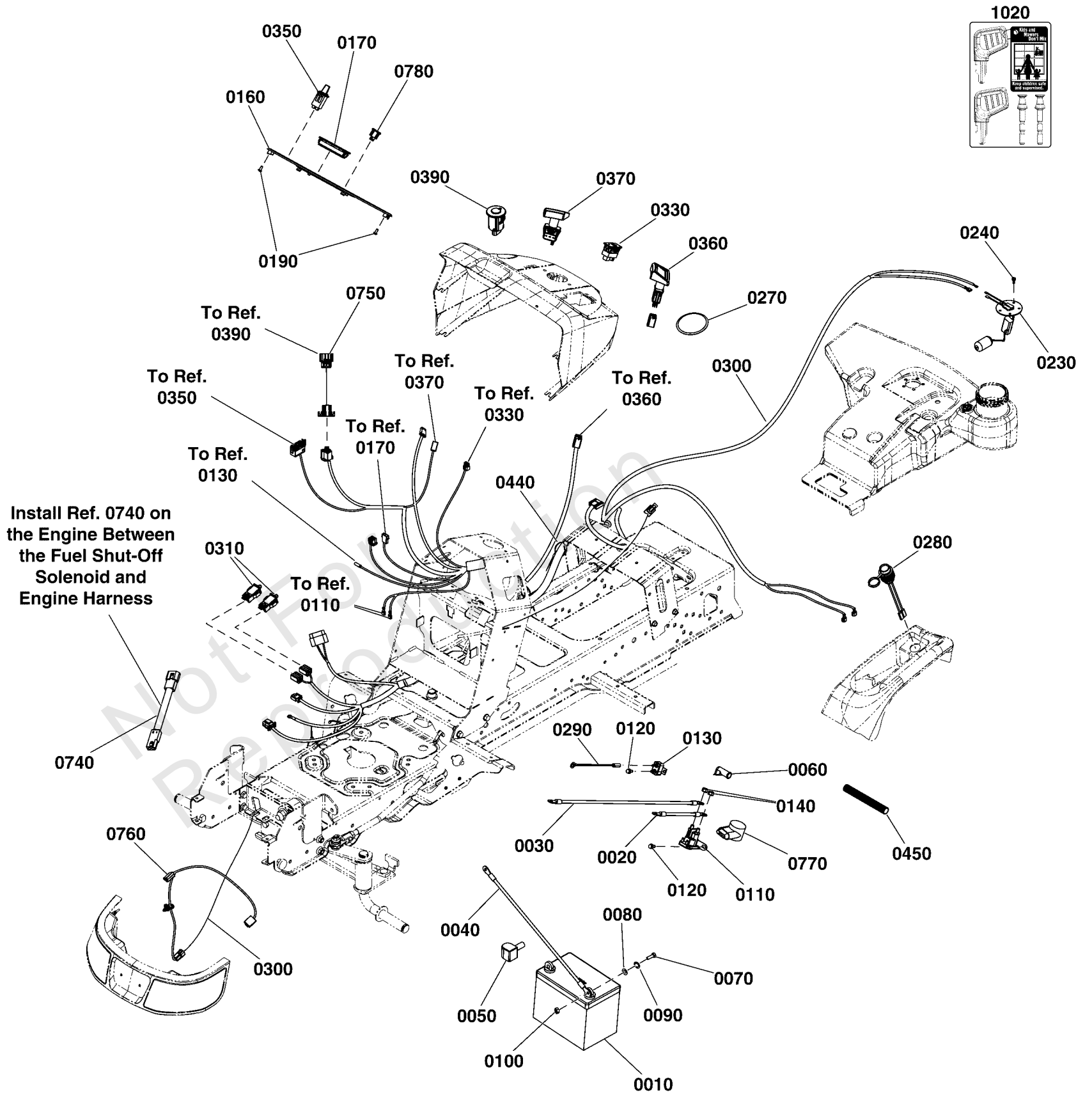
Decals Group

REF NO	PART NO	QTY	DESCRIPTION
0020	1755902YP	1	DECAL, Logo, Simplicity, LH
0025	1755903YP	1	DECAL, Logo, Simplicity, RH
0030	771638	1	DECAL
0040	1755843YP	1	DECAL, Logo, Steering Wheel
0050	1755798YP	1	DECAL, 3D, Logo, Simplicity
0060	1757673YP	1	DECAL, SMI LOGO 10.47
0070	84004399	1	DECAL, Automatic Controlled Traction
0070	1755846YP	1	DECAL, Automatic Controlled Traction
0150	1755389YP	1	DECAL, Tunnel Cover Danger Slopes
0160	1730202SM	1	DECAL, Transmission Tow / Release Lever
0190	1720454SM	1	DECAL, Hood (Underside), Touch-Up Paint, Simplicity & AGCO-Allis
0230	84003695	1	DECAL, KEY FOB, CONTROL
0230	1756186YP	1	DECAL, Starter Insert Control
0260	708806	1	DECAL, Cold Start
1010	7101665YP	2	DECAL, DANGER
1020	1755726YP	1	DECAL, Free Floating Deck
1030	1755717YP	1	DECAL, Width, 44" / 112cm
1070	1726642SM	1	DECAL, Height Of Cut, 1 2 3 4

Electrical Group - Hourmeter

Note: Unless noted otherwise, use the standard torque specifications

Mfg. No: 2691670-01



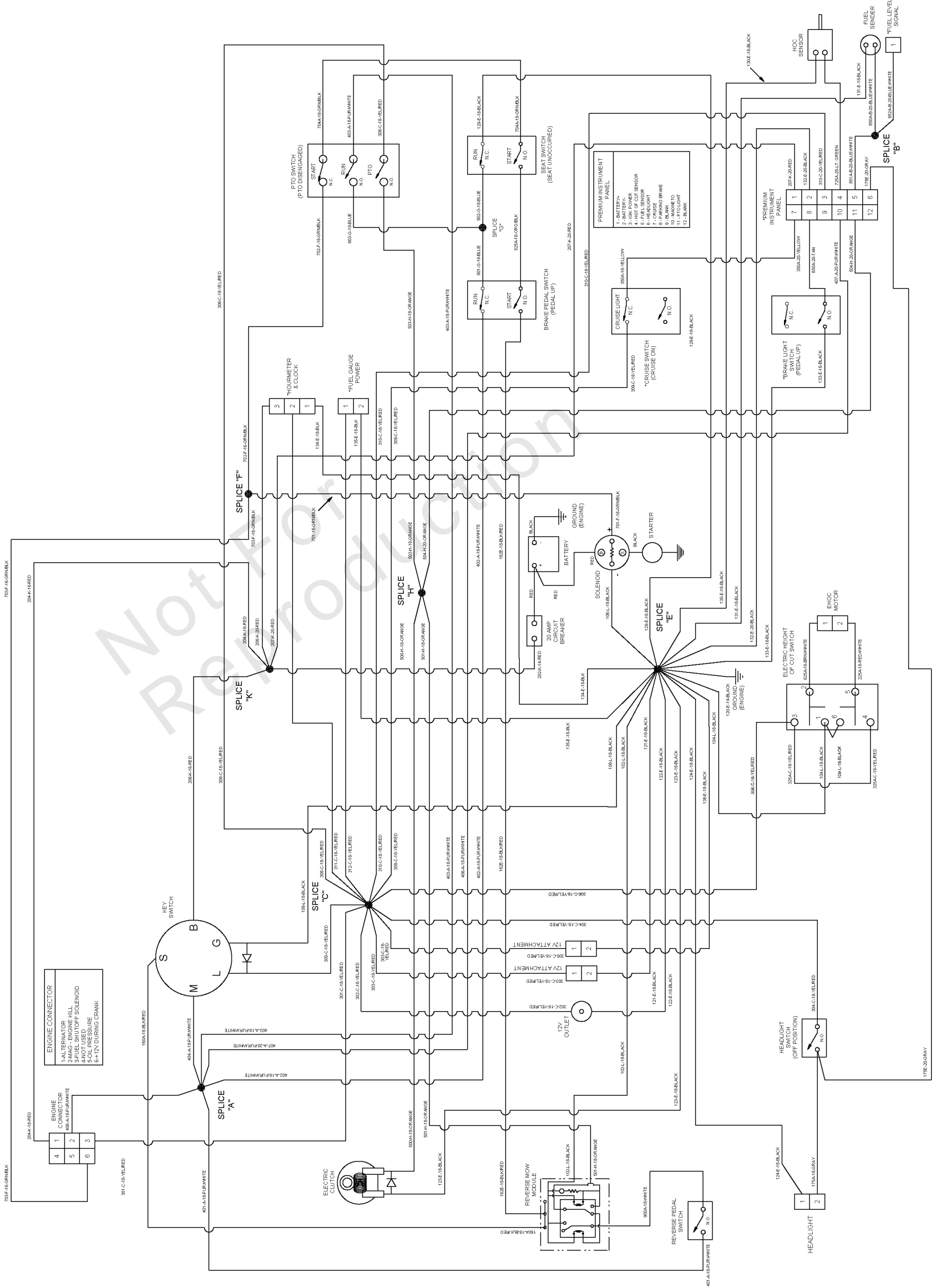
Electrical Group - Hourmeter

REF NO	PART NO	QTY	DESCRIPTION
0010	-----	1	BATTERY, 12 Volt, 230 CCA
0020	1755468YP	1	CABLE, Electric, #6 X 8", Red
0030	1721830SM	1	CABLE, #6 25.0 Lg Red
0040	1755469YP	1	CABLE, Electric, #6 X 17.5", Black
0050	1677296SM	1	BOOT,INSULATOR BATTER
0060	1713535SM	1	BOOT, Insulator, Red
0070	2823341SM	1	CAPSCREW, Hex Head, 1/4-20 x 3/4 G5
0080	2821319SM	2	WASHER, 1/4, .27 ID x .62 OD x .05 THK
0090	71059MA	2	LOCKWASHER, Split, 1/4
0100	2816622SM	2	NUT, HEX 1/4-20 NC-2B YELLOW
0110	1755381YP	1	SOLENOID, L-BRACKET
0120	1925003SM	2	CAPSCREW, Hex Washer Head, Taptite, 1/4-20 x 1/2
0130	1665238SM	1	BREAKER-CIRCUIT
0140	2860750SM	2	NUT-HEX KEPS 5/16-24
0150	1722009SM	1	STRAP, Rubber, 13"
0160	84003724	1	BEZEL, Instrument Panel
0170	1758654YP	1	DISPLAY, Mini Meter
0190	1739329YP	2	SCREW, PT Thread, 5mm Dia. x 12mm
0230	1737523YP	1	SENDER, Fuel Tank
0240	2860665SM	5	SCREW, Pan Head, Torx, 10-32 x 1/2
0270	1722309SM	1	PLUG, Hole 3", Round
0280	1725302SM	1	OUTLET, 12 Volt
0290	1665237SM	1	WIRE, 12 Gauge, 7.9 LG
0300	84003739	1	HARNESS, Main
0310	7022886YP	1	SWITCH, DP NO/NC SNAP
0330	1761897YP	1	SWITCH, Reverse Mow Option
0350	1761475YP	1	SWITCH, Height of Cut
0360	1757736YP	1	SWITCH, PTO
0370	1757737YP	1	SWITCH, Headlight
0390	84003613	1	SWITCH ASSEMBLY, Push Button Start
0440	703586	7	TIE, SELF LOCKING
0450	5050861X6YP	1	WIRE LOOM, 5/8 ID, 6" LONG
0740	1759981YP	1	HARNESS, Fuel Shut Off
0750	84003694	1	ADAPTER, Harness
0760	84003744	1	HARNESS, Headlight
0770	84004739	1	BOOT, Insulator, Red
0780	1758683YP	1	GAUGE, Fuel
1020	84003869	1	BLISTER PACK

Electrical Schematic -

Note: Unless noted otherwise, use the standard torque specifications

Mfg. No: 2691670-01



Electrical Schematic -

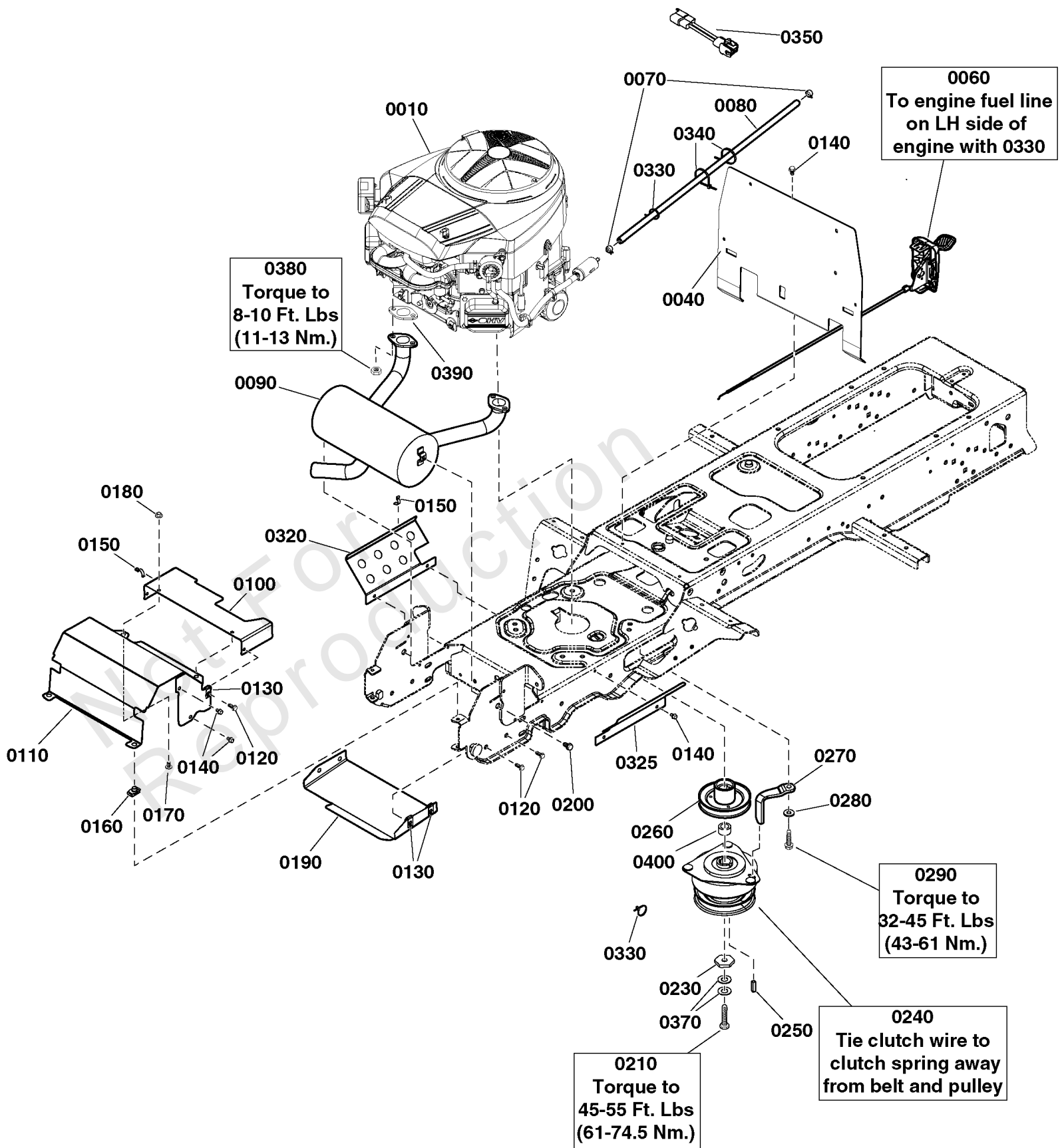
REF NO	PART NO	QTY	DESCRIPTION
0010	84003739	1	HARNESS, Main

Not For Reproduction

Engine Group - 23 Gross HP Briggs & Stratton

Note: Unless noted otherwise, use the standard torque specifications

Mfg. No: 2691670-01



Engine Group - 23 Gross HP Briggs & Stratton

REF NO	PART NO	QTY	DESCRIPTION
0010	44U777-0002-G1	1	* ENGINE, 23 Gross HP Briggs & Stratton -(Engine Model: 44U777-0002-G1)
0040	1755854AYP	1	FIREWALL, Engine
0060	1759240YP	1	THROTTLE
0070	93053B	2	CLAMP, Hose
0080	199086X46YP	1	HOSE, Fuel
0090	1721706SM	1	MUFFLER, Briggs & Stratton, INTEK Twin
0100	1722390ASM	1	DUCT-MUFFLER EXT-BLAC
0110	1722389ASM	1	DUCT-MUFFLER TOP-BLAC
0120	1960295SM	6	CAPSCREW, Hex Flange, Whiz Lock, 1/4-20 x 5/8
0130	1960368SM	6	NUT, Speed Lug Type, 1/4-20
0140	1927428SM	8	CAPSCREW, Hex Washer Head Taptite, 1/4-20 x 3/8
0150	703176	2	CLIP, Wire
0160	1935255SM	2	NUT, SPEED, 5/16-18 L
0170	5025299X4SM	2	SCREW, ALLEN HEAD 1/4-20 X .500 ZINC PHOS
0180	703233	2	NUT, 1/4-20, GR5
0190	1722414ASM	1	SHIELD, Muffler Bottom
0200	1924856SM	2	SCREW, Hex Washer Head, Taptite, 5/16-18 x 1/2
0210	771023	1	CAPSCREW, Hex Head, Loctite, 7/16-20 x 3 1/2
0230	1708264SM	1	WASHER, HEX, 0.453ID
0240	1757359YP	1	CLUTCH - OGURA
0260	1739847SM	1	PULLEY & HUB ASSEMBLY
0270	1737421AYP	1	GUIDE, Belt
0280	1924940SM	1	WASHER, 3/8, .41 ID x .87 OD x .08 THK
0290	704010	4	SCREW, HEX, 3/8-16
0320	84004681	1	SHIELD, RH
0325	1722392ASM	1	SHIELD, Side, Heat
0330	2832747SM	2	TIE, Self Locking, 3-5/8 LG
0340	703586	1	TIE, SELF LOCKING
0350	1737462YP	1	HARNESS, Jumper, 4" LG
0370	1960769YP	2	WASHER, Belleville
0380	690941	1	NUT
0390	593676	1	GASKET SET, Engine
0400	5020602SM	1	COLLAR, 1" SPLIT

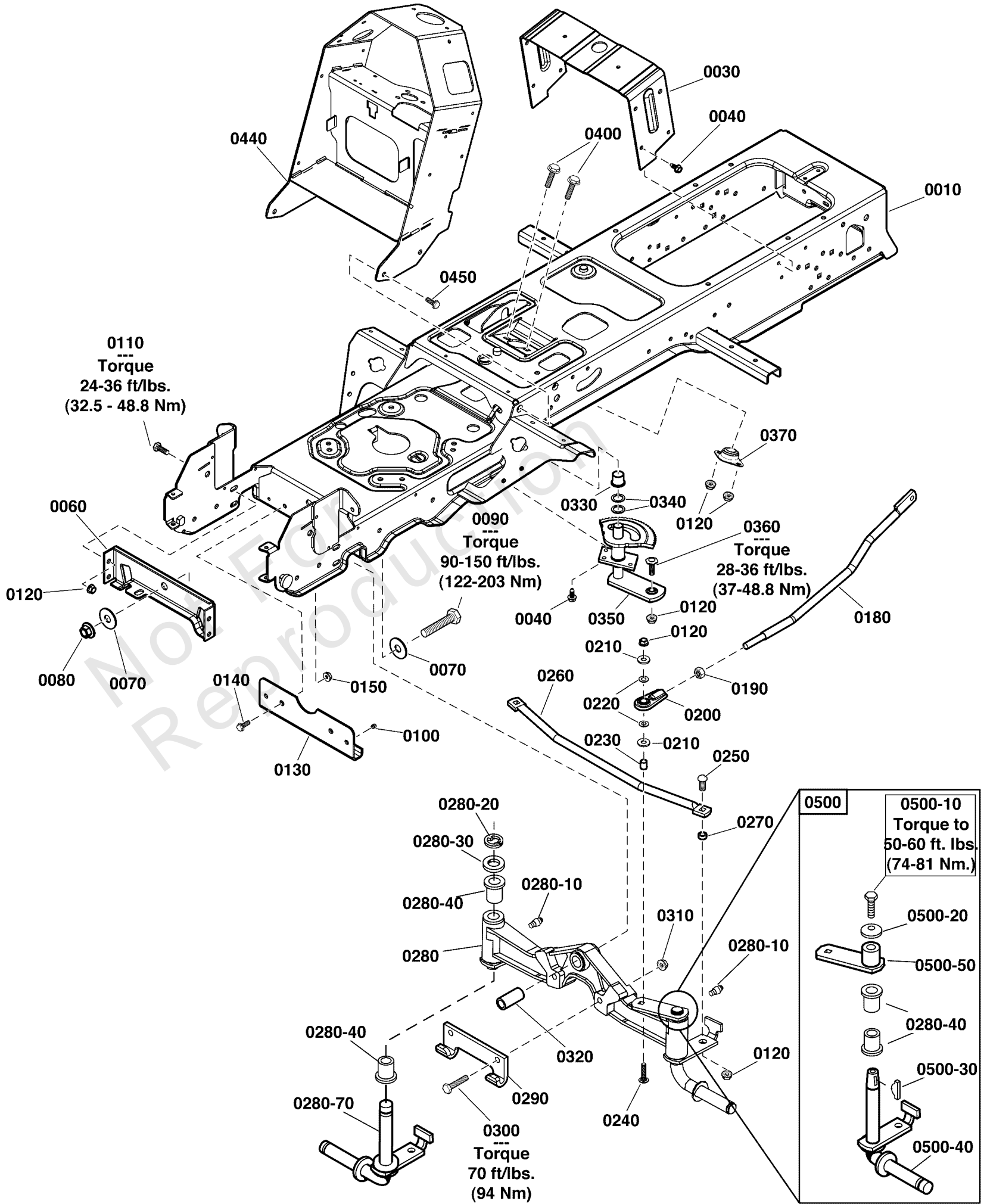
Footnotes:

Note:* To verify your specific engine model, please reference the ID Tag located on your engine. See your local Briggs & Stratton distributor for parts and service.

Frame & Front Axle Group

Note: Unless noted otherwise, use the standard torque specifications

Mfg. No: 2691670-01



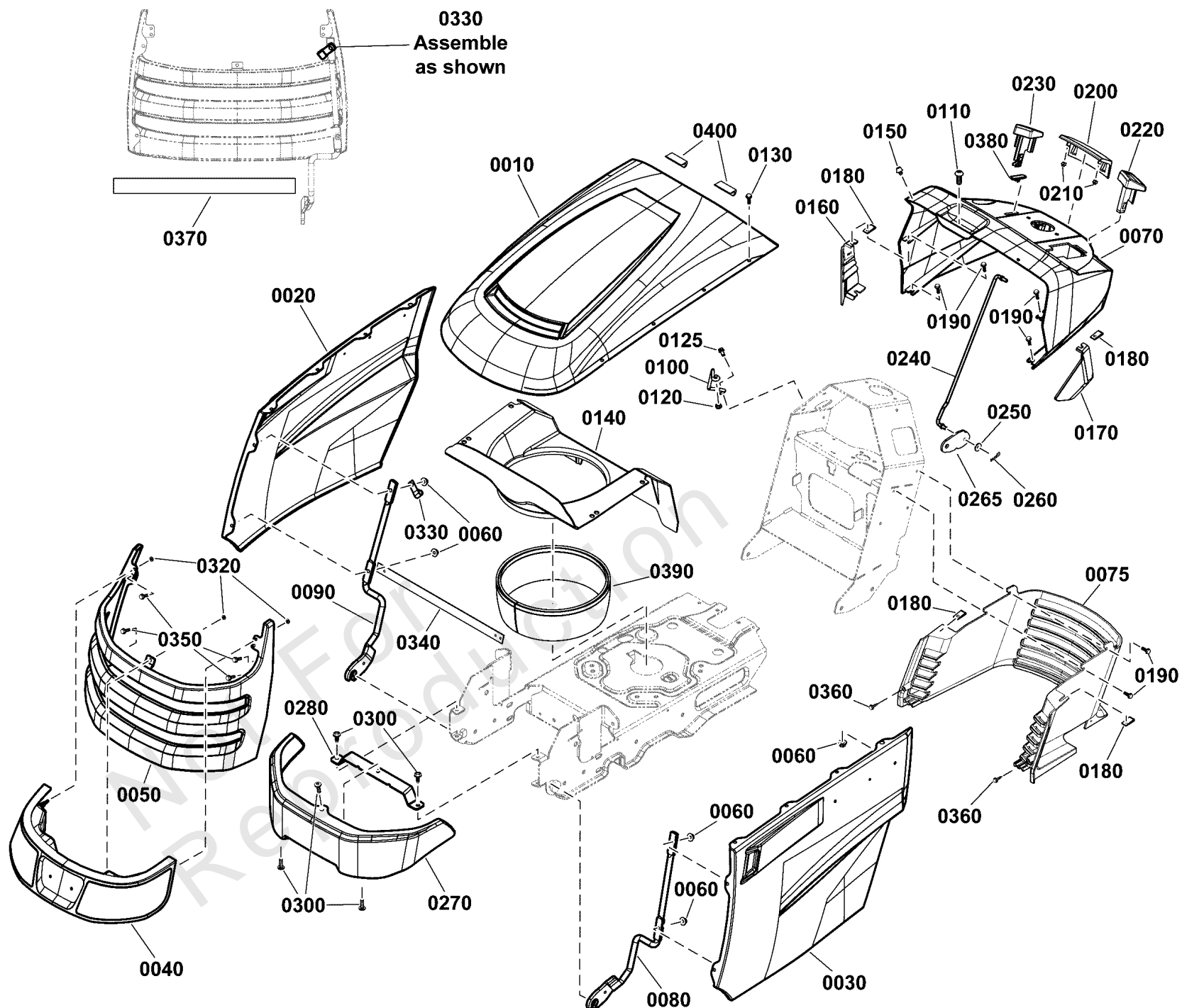
Frame & Front Axle Group

REF NO	PART NO	QTY	DESCRIPTION
0010	-----	1	FRAME -(Not a serviceable part)
0030	1752878AYP	1	SUPPORT, Seat Deck
0040	703228	6	SCREW, 5/16-18 X .75
0060	1722212ASM	1	PLATE-AXLE SUPPORT-BL
0070	1960035SM	2	WASHER-0.625(0.64IDX1
0080	2860646SM	1	NUT, Hex Flange, Two Way Lock, 5/8-11
0090	2860645SM	1	CAPSCREW, Hex Head, 5/8-11 x 3-1/2, GR5
0100	2821133SM	2	FITTING, Lube
0110	1933260SM	4	BOLT, Serrated Flange, 3/8-16 x 3/4, GR5
0120	1930645SM	10	NUT, Hex Flange, Two Way Lock, 3/8-16
0130	1724801ASM	1	PLATE, Axle Wear
0140	1930591SM	2	SCREW, Hex Flange, Whiz Lock, 5/16-18 x 3/4
0150	1931277SM	2	NUT, Hex Flange, Whiz Lock, 5/16-18
0180	1722541SM	1	LINK, Drag
0190	1919262SM	1	NUT, Hex Jam, 1/2-20
0200	1702779SM	1	JOINT-BALL .500-20 TH
0210	704128	2	WASHER
0220	1960103SM	2	WASHER, 3/8"
0230	1708236SM	1	SPACER, 0.377 x 1/2 x 5/8"
0240	703858	1	BOLT, 3/8-16X1.75
0250	1931350SM	2	BOLT, RD HD SH SQ NK
0260	1722626ASM	1	TIE ROD
0270	1611705SM	2	SPACER-0.385IDX0
0280	1722200ASM	1	AXLE ASSEMBLY, w/ LH Spindle, Complete
0280-10	1704314SM	3	LUBE FITTING, .250 DR
0280-20	2832577SM	1	RING, Retainer
0280-30	703149	1	WSHR
0280-40	1721682SM	6	BUSHING, 1 ID x 1-1/4 OD x 3/4"
0280-70	1722199SM	1	SPINDLE ASSEMBLY, RH
0290	1721918ASM	1	HOOK, Mower Hitch
0300	1927531SM	2	CAPSCREW-HEX HD 7/16-
0310	1930650SM	2	NUT-HEX FLANGE 7/16-1
0320	1721752SM	1	SPACER, 5/8 x 1 x 2"
0330	2176440SM	1	BUSHING-0.765IDX
0340	703151	2	WSHR
0350	1724470ASM	1	STEERING GEAR ASSEMBLY
0360	1960032SM	1	SCREW, Hex Head, 3/8-16 x 1 1/4
0370	1722459SM	1	BEARING, 3/4 x 1-11/16 x 13/16, 3" Long Housing
0400	703407	2	SCREW
0440	84003958	1	TOWER
0450	703950	4	SCREW, 3/8-16X.75
0500	1686985SM	1	SPINDLE REPLACEMENT K
0500-10	2823485SM	1	CAPSCREW, 3/8-16 x 7/8, GR8
0500-20	1663151SM	1	WASHER, Spring, 3/8
0500-30	2830671SM	1	KEY, Woodruff
0500-40	1724264SM	1	SPINDLE, LH
0500-50	1725112SM	1	HUB & ARM ASSEMBLY

Hood, Grille & Dash Group

Note: Unless noted otherwise, use the standard torque specifications

Mfg. No: 2691670-01



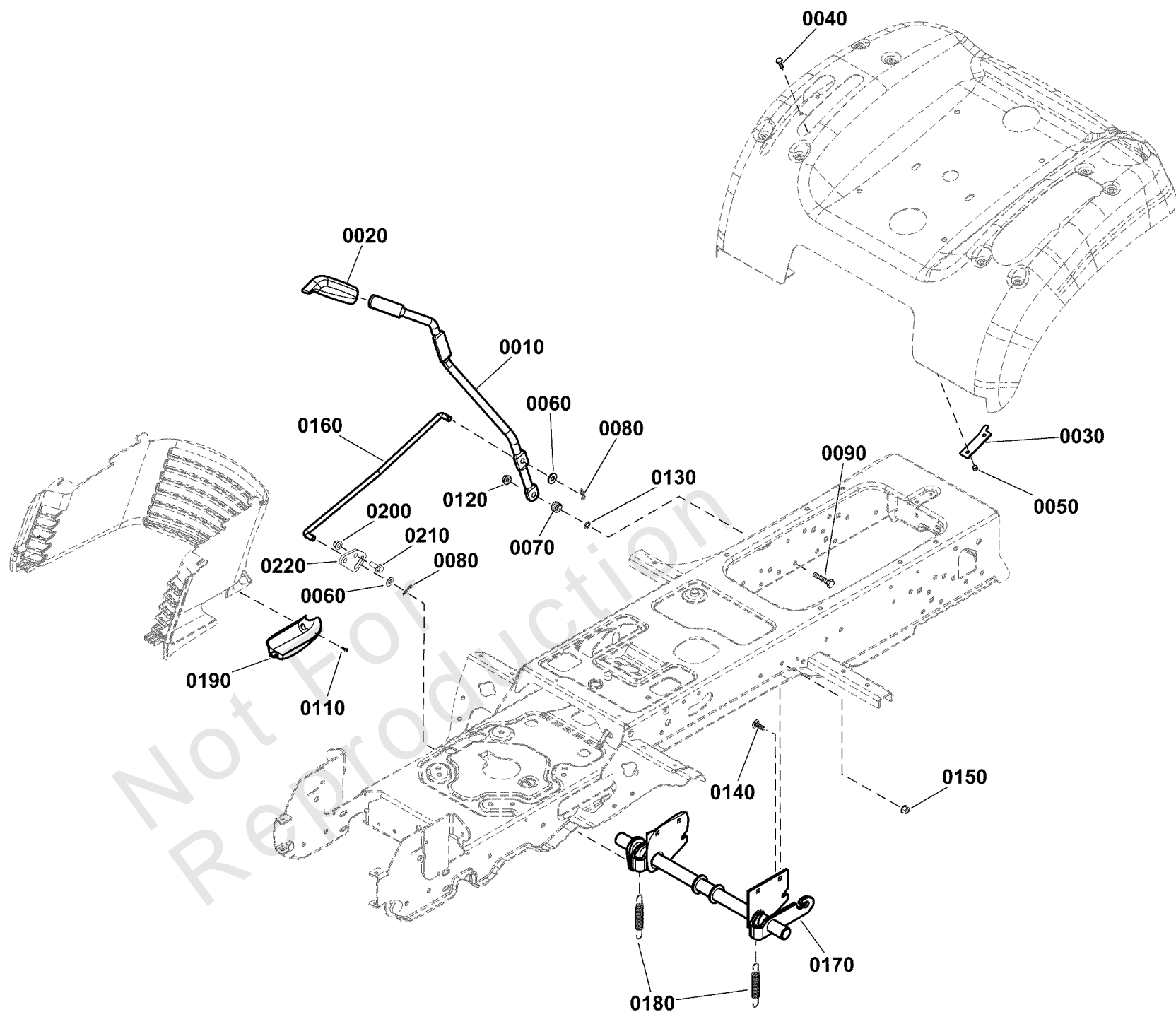
Hood, Grille & Dash Group

REF NO	PART NO	QTY	DESCRIPTION
0010	1754921CYP	1	HOOD, Top
0020	1754925CYP	1	PANEL, Side, RH
0030	1754924CYP	1	PANEL, Side, LH
0040	1754936YP	1	HEADLIGHT ASSEMBLY (LED)
0050	1754922CYP	1	GRILLE, Front
0060	1930641SM	12	NUT, Hex Flange, Whiz Lock, 1/4-20
0070	84003728	1	DASH, Upper
0075	1754859YP	1	DASH, Lower
0080	1755578YP	1	HOOD HINGE ASSEMBLY, LH
0090	1755577YP	1	HOOD HINGE ASSEMBLY, RH
0100	84003727	1	ROD, Dash Support
0110	770135	1	SCREW
0120	703463	1	NUT, GR5, 1/4-20
0125	704130	1	SCREW, HEX, 1/4-20X.5
0130	1960295SM	8	SCREW, Hex Flange, Whiz Lock, 1/4-20 x 5/8
0140	7102326YP	1	AIR DUCT, Plenum
0150	1755815YP	2	BUMPER, Rubber
0160	1755223YP	1	GUIDE, Hood, RH
0170	1755224YP	1	GUIDE, Hood, LH
0180	1926018SM	4	NUT, Speed, 1/4
0190	703054	8	SCREW, 1/4-20X0.625
0200	1754918YP	1	TRIM
0210	703582	2	CLIP, Panel
0220	1755457YP	1	PLUG, Dash Knob
0230	1754862YP	1	KNOB, Parking Brake
0240	1755594YP	1	ROD, Parking Brake
0250	1921319SM	1	WASHER, 184
0260	1722460SM	1	PIN, Quick, 1.19"
0265	1755598AYP	1	LATCH, Parking Brake
0270	1754923AYP	1	BUMPER
0280	1755506AYP	1	SUPPORT, Front Bumper
0300	703228	5	SCREW, 5/16-18 X .75
0310	1751237YP	1	SEAL, Foam
0320	1960521SM	3	NUT, Push
0330	7012652YP	2	CLIP, Wire, 7/16
0340	1756204AYP	1	STRIP, Hood Support
0350	1960611SM	4	SCREW-HEX WZ LOCK FL
0360	1960536SM	2	SCREW, HEX WSHR HD PL
0370	1758731YP	1	INSULATION, 2 x 12 1/2
0380	84003730	1	COVER
0390	84004638	1	SEAL, Hood Shroud
0400	84004684	1	SEAL, Edging

Lift Group, Broadmoor

Note: Unless noted otherwise, use the standard torque specifications

Mfg. No: 2691670-01



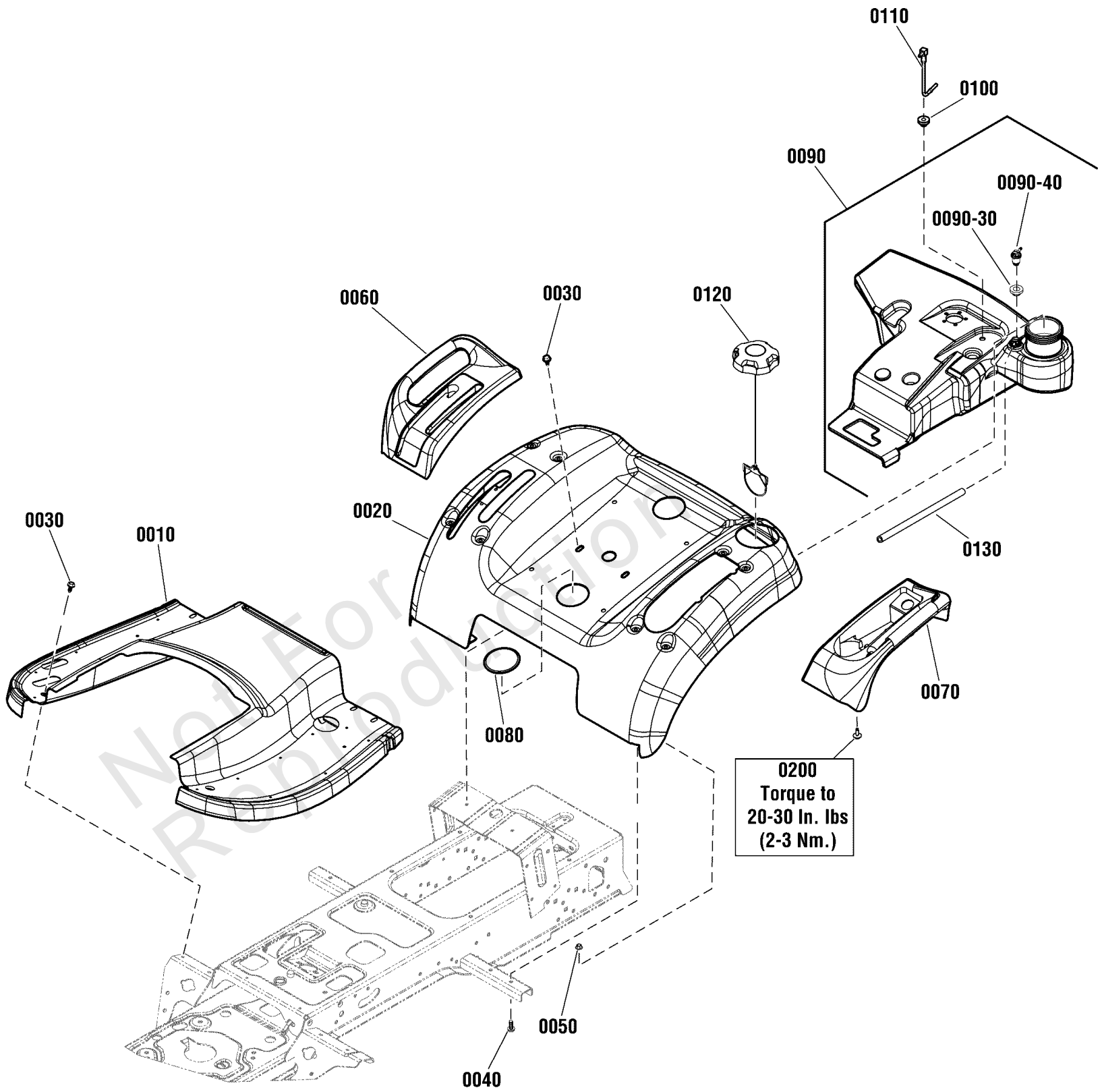
Lift Group, Broadmoor

REF NO	PART NO	QTY	DESCRIPTION
0010	1722024ASM	1	ROD, Lift Lever with Flats
0020	1722302SM	1	GRIP
0030	1722284ASM	1	QUADRANT, Lift Lever
0040	1923341SM	2	CAPSCREW, Hex Head, 1/4-20 x 3/4, G5
0050	1920397SM	2	NUT, Hex Lock, ESNA Light, 1/4-20
0060	1924940SM	2	WASHER, 3/8, .41 ID x .87 OD x .08 THK
0070	2162085SM	1	SPRING, Compression
0080	1722460SM	2	PIN, Hair
0090	1923701SM	1	CAPSCREW, Hex Head, 3/8-16 x 2, GR5
0110	1739329YP	1	SCREW, PT Thread, 5mm Dia. x 12mm
0120	1930645SM	1	NUT, Hex Flange, Two Way Lock, 3/8-16
0130	5025472YP	1	PUSHNUT, Bolt Retainer, 3/8
0140	703185	4	BOLT, Round Head, Short Square Neck
0150	1960686SM	4	NUT, Hex Flange Nylock, 5/16-18
0160	1725638SM	1	ROD, Lift, 15"
0170	1755557AYP	1	LIFT SHAFT ASSEMBLY
0180	2156302SM	2	SPRING, Extension
0190	1755441YP	1	PLUG, Dash Lift
0200	704038	2	SCREW
0210	703158	2	NUT, Hex Flange, 3/8-16
0220	84006506	2	PLATE

Seat Deck Group

Note: Unless noted otherwise, use the standard torque specifications

Mfg. No: 2691670-01



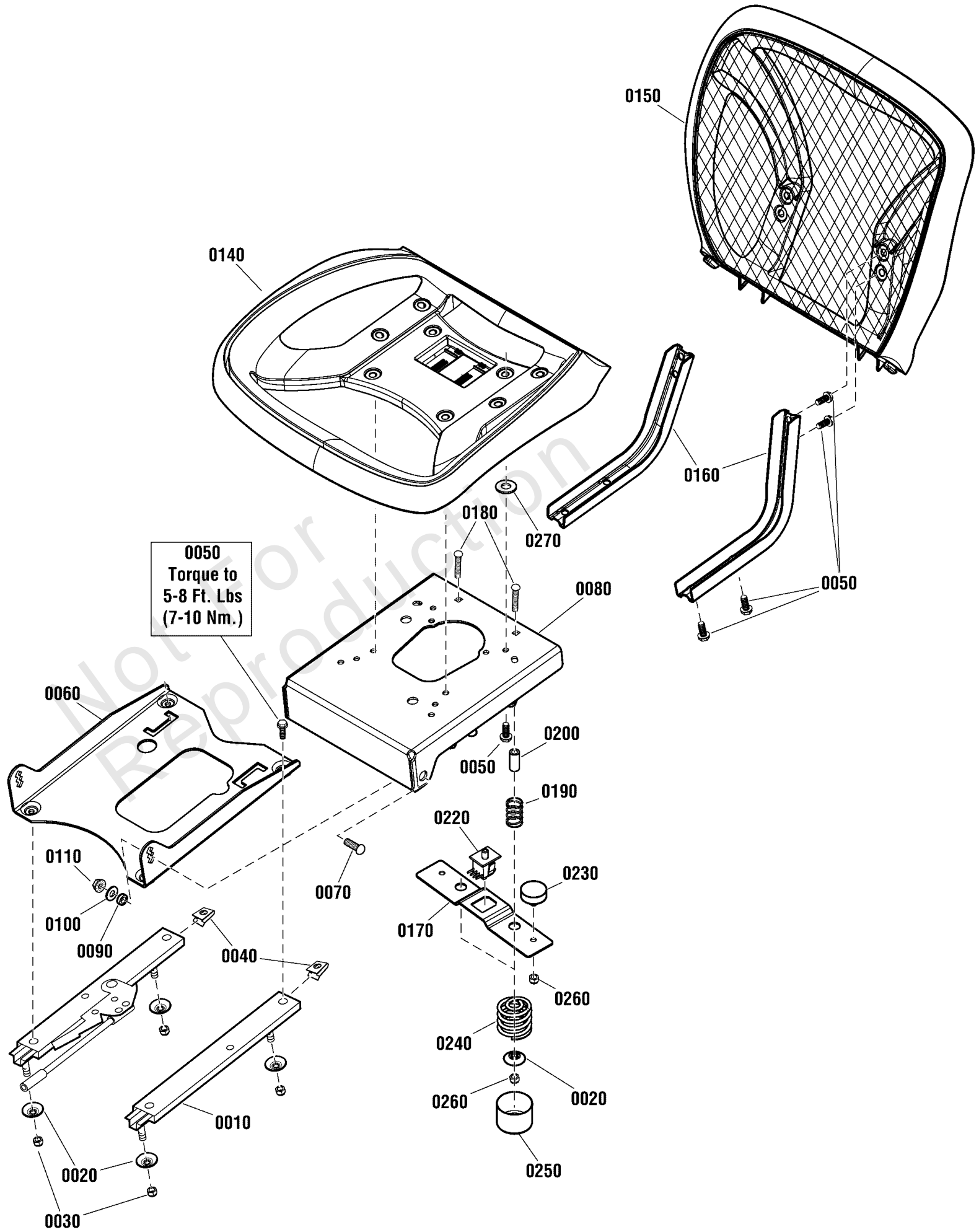
Seat Deck Group

REF NO	PART NO	QTY	DESCRIPTION
0010	1722105CSM	1	TUNNEL
0020	1722106CSM	1	DECK, Seat
0030	703949	4	SCREW, 5/16-18.625
0040	1930595SM	4	SCREW, Hex Flange, Whiz Lock, 5/16-18 x 1 1/4
0050	1931277SM	4	NUT, Hex Flange, Whiz Lock, 5/16-18
0060	1722108SM	1	POD, RH
0070	1729711SM	1	POD, With Cup Holder, LH
0080	1722309SM	1	PLUG, Hole
0090	1751622YP	1	TANK, Fuel -(Includes item Nos. 0090-30 & 0090-40)
0090-30	799624	1	GROMMET
0090-40	7104638YP	1	VENT, Remote
0100	1654930SM	1	BUSHING, Fuel Tank
0110	1757609YP	1	TUBE, FUEL PICKUP
0120	1759036YP	1	FUEL CAP
0130	708734	1	HOSE, Vapor
0200	2860664SM	8	SCREW, HEX SEMS WSHR,

Seat Group

Note: Unless noted otherwise, use the standard torque specifications

Mfg. No: 2691670-01



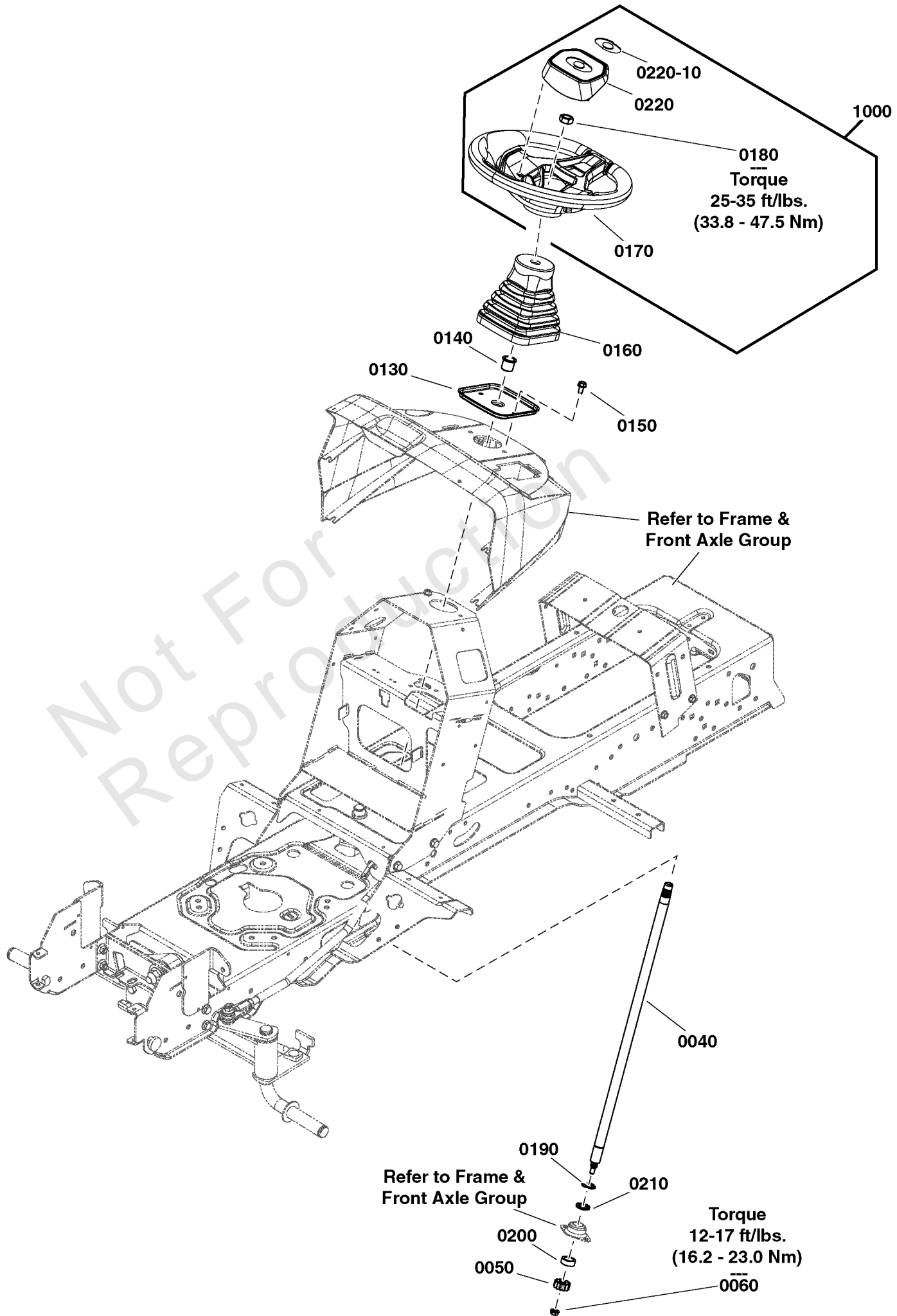
Seat Group

REF NO	PART NO	QTY	DESCRIPTION
0010	1722356SM	1	SLIDE, Seat
0020	1709256SM	6	WASHER, Spring, 5/16 x 1 1/4
0030	1919438SM	4	NUT, Hex Lock, ESNA Light, 5/8-18
0040	1935255SM	4	NUT, SPEED, 5/16-18 L
0050	1930591SM	16	SCREW, Hex Flange, Whiz Lock, 5/16-18 x 3/4
0060	1722128ASM	1	SUPPORT, Seat
0070	1931350SM	2	BOLT, RD HD SH SQ NK
0080	1755623AYP	1	BRACKET, Seat Support
0090	1663752SM	2	SPACER, 25/64 x 5/8 x 3/16
0100	1924940SM	2	WASHER, 3/8
0110	1930645SM	2	NUT, Hex Flange, Two Way Lock, 3/8-16
0140	1738013YP	1	SEAT, Mesh, Bottom
0150	1738014YP	1	SEAT, Mesh, Back
0160	1737848AYP	2	SUPPORT, Mesh Seat
0170	1756190AYP	1	BRACKET, Switch, Seat
0180	1931339SM	2	BOLT, Carriage, Short Neck, 5/16-18 x 2 GR5
0190	1756196YP	2	SPRING, Compression
0200	5041931SM	2	SPACER, .38 X .50 X 1
0220	5101280YP	1	SWITCH, LOW PROF, NC/
0230	1726390SM	2	BUMPER, Rubber
0240	1704728SM	2	SPRING, Compression, 2"
0250	1704724SM	2	COVER, Spring
0260	1960686SM	2	NUT, Hex Flange, 5/16-18
0270	703591	4	WASHER, .406X1.5X.12

Steering Group - Manual

Note: Unless noted otherwise, use the standard torque specifications

Mfg. No: 2691670-01



Steering Group - Manual

REF NO	PART NO	QTY	DESCRIPTION
0040	84003732	1	SHAFT
0050	1761013YP	1	GEAR, Pinion
0060	704067	1	NUT, HEX FLNG,5/16-18
0130	1754945AYP	1	PLATE, Steering Mount
0140	2176440SM	1	BUSHING-0.765IDX
0150	703228	2	SCREW, 5/16-18 X .75
0160	1755550YP	1	BELLOWS, Steering Cover
0170	-----	1	STEERING WHEEL -(Refer to Note: *)
0180	1960576SM	1	NUT, Hex Lock, ESNA Light, 5/8-18
0190	1611710SM	1	RING, Klipring, For 3/4 Dia. Shaft
0200	1722461SM	1	SPACER, 3/4 x 1-1/16 x 3/8, Powder Metal
0210	706388	1	SPACER, .766 x 1.06 x 1/8
0220	84003162	1	CAP, Steering Wheel, Simplicity
0220-10	1755843YP	1	DECAL, Logo, Steering Wheel
1000	84001122		KIT, Steering Wheel, Simplicity -(Incl. Ref. Nos. 0170, 0180, 0220 & 0220-10)

Not For
Reproduction

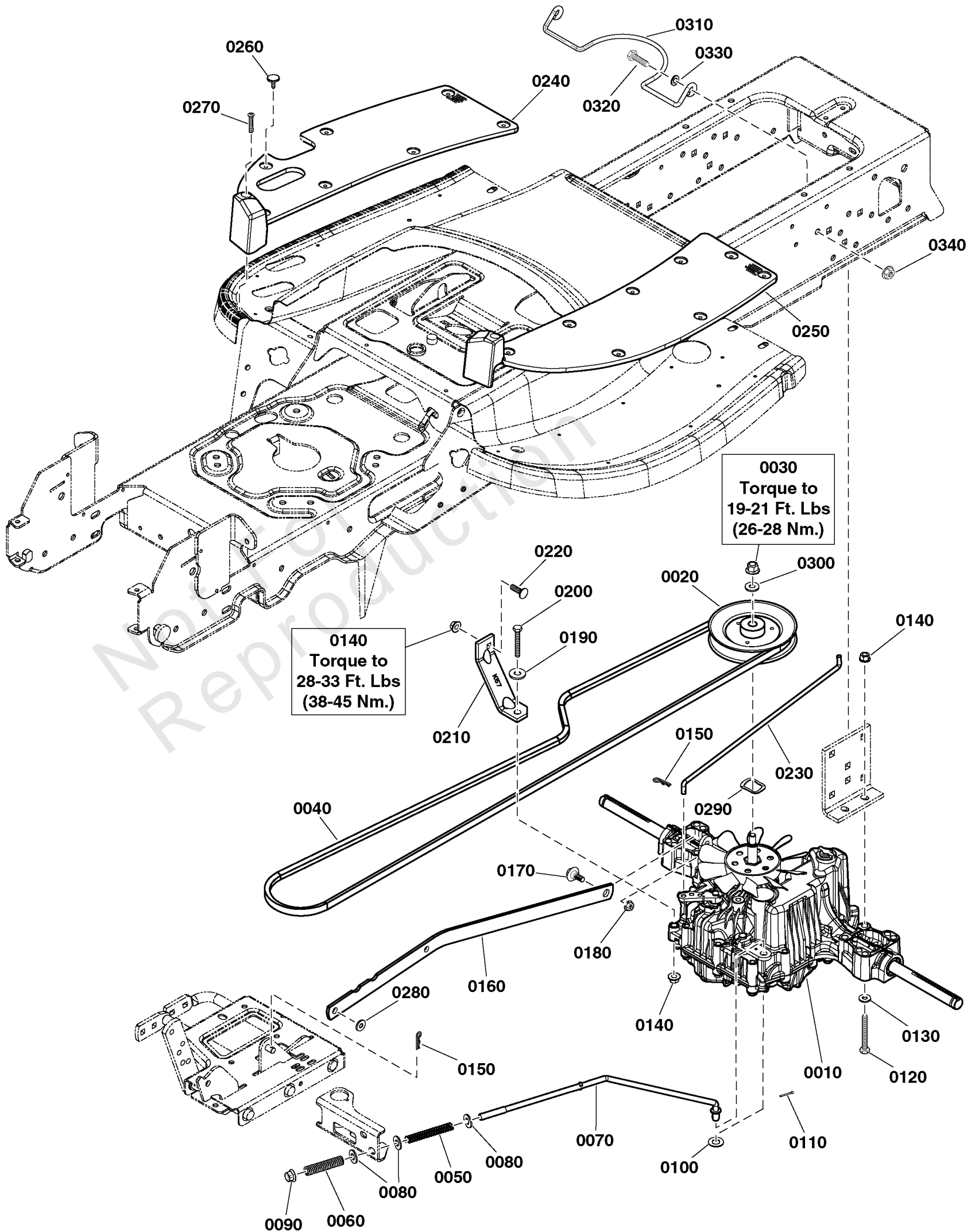
Footnotes:

Note:* Not a serviceable part.

Transmission Group - Tuff Torq K57AF

Note: Unless noted otherwise, use the standard torque specifications

Mfg. No: 2691670-01



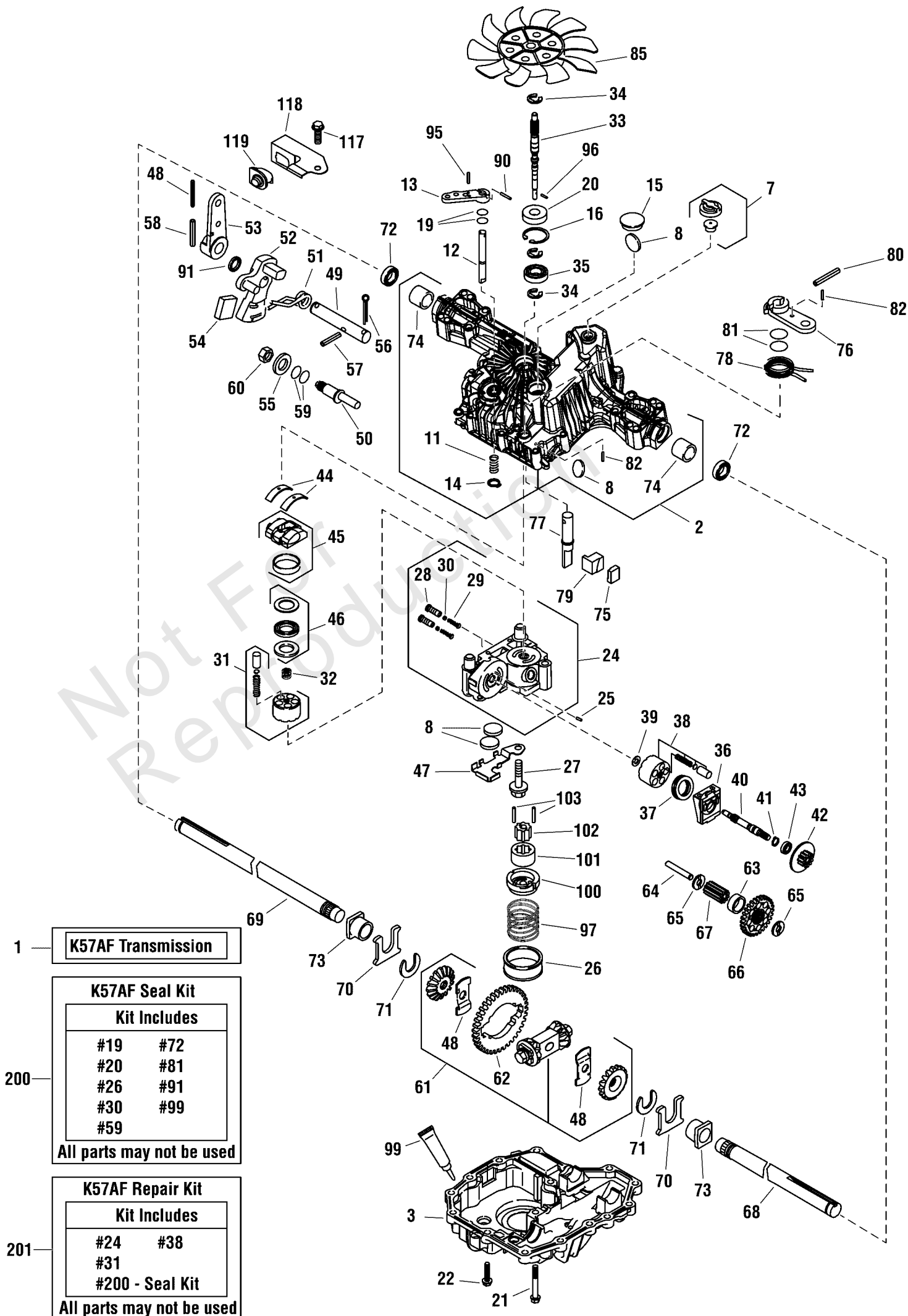
Transmission Group - Tuff Torq K57AF

REF NO	PART NO	QTY	DESCRIPTION
0010	771903	1	TRANSMISSION, Tuff Torq, K57AF -(Incl. Ref. Nos. 0020, 0030, 0290, 0300, 0310, 0320, 0330, & 0340)
0020	1732918SM	1	PULLEY D -(Included with Ref. 0010)
0030	1719968SM	1	NUT, Hex Flange, M10-1.5, Nylon Insert -(Included with Ref. 0010)
0040	1726841SM	1	V-BELT HA 094.50 LG
0050	1722684SM	1	SPRING, Compression, 3-1/4" Long, Black
0060	1729277SM	1	SPRING, Composite, 3-5/8 -(Compress spring to 2.50" with brake locked)
0070	1726871SM	1	ROD, Brake, 16.69"
0080	1924940SM	3	WASHER, 3/8, .41 ID x .87 OD x .08 THK
0090	1960687SM	1	NUT, Hex Flange Nylock, ESNA, 3/8-16
0100	1918267SM	1	WASHER, 15/32" I.D. x 15/26" O.D.
0110	703312	1	PIN, COTTER, 3/32X.75
0120	1923141SM	4	CAPSCREW, Hex Head, 5/16-18 x 2-3/4, G5
0130	1919326SM	4	WASHER, 5/16
0140	1960686SM	6	NUT, Hex Flange Nylock, 5/16-18
0150	1722460SM	2	PIN, Hair
0160	1755619AYP	1	ARM, Transmission (K57)
0170	1732426SM	1	BOLT-SHLDR 5/16-18 0.
0180	1935048SM	1	NUT, Hex Flange, Two Way Lock, 5/16-18
0190	1960141SM	1	WASHER, 5/16
0200	1921978SM	1	CAPSCREW, Hex Head, 5/16-18 x 2 GR5
0210	1721592ASM	1	STRAP, Torque, K57
0220	1931335SM	1	BOLT, Carriage, Short Neck, 5/16-18 x 1
0230	1726806SM	1	ROD, Transmission Release
0240	1755642YP	1	PAD, Foot Rest, RH
0250	1755799YP	1	PAD, Foot Rest, LH
0260	1704351SM	15	FASTENER, Panel, 3/4 OD x 11/16
0270	1960676SM	2	SCREW, Pan Head Torx Taptite, 1/4-20 x 1-1/4, Black
0280	703878	1	WASHER, FLAT
0290	1761520YP	1	WASHER, Wave, 0.65" ID -(Included with Ref. 0010)
0300	704128	1	WASHER -(Included with Ref. 0010)
0310	771919	1	GUIDE, Belt -(Included with Ref. 0010)
0320	703570	2	CAPSCREW, Hex Head, 5/16-18 x 1 1/4 -(Included with Ref. 0010)
0330	1960141SM	2	WASHER, 5/16 -(Included with Ref. 0010)
0340	703115	2	NUT -(Included with Ref. 0010)

Transmission SERVICE PARTS - Tuff Torq K57AF (1755450)

Note: Unless noted otherwise, use the standard torque specifications

Mfg. No: 2691670-01



Transmission SERVICE PARTS - Tuff Torq K57AF (1755450)

REF NO	PART NO	QTY	DESCRIPTION
1	1755450YP		TRANSMISSION, Tuff Torq, K57AF
2	-----		* KIT, Upper Case
3	-----		* LOWER CASE
7	1718052SM		VENT VALVE 15
8	1724279SM		MAGNET
11	-----		* SPRING, 25
12	1724281SM		BYPASS SHAFT A
13	1720418SM		LEVER, Bypass
14	-----		* RING,10
15	1724282SM		SEALING CAP, 30
16	1708650SM		RING, Snap, C 35
19	-----		* O-RING, 1A P10A
20	1708651SM		SEAL TC 153507
21	-----		* SCREW, Tapping, 8 x 55
22	1707789SM		SCREW, Tapping, 8 * 30
24	-----		* KIT, CENTER CASE H/FILTER IDS
25	1718070SM		PIN, 3 * 9.8
26	1724954SM		FILTER
27	1720805SM		BOLT, 10 * 75
28	-----		* IDS VALVE 1.2
29	-----		* IDS SPRING
30	-----		* IDS FILTER 300
31	-----		* KIT, Cylinder Block (MOTOR)
32	1724290SM		SPRING
33	1724941SM		SHAFT, PUMP
34	1718076SM		E-RING, 15
35	1708673SM		BEARING, 6202C3
36	-----		* MOTOR HOUSING
37	-----		* THRUST (BALL) BEARING
38	-----		* BEARING 6202 RSR C3
39	1718084SM		WASHER, 12 * 24 * 1
40	1724943SM		MOTOR SHAFT
41	1708672SM		RING, Snap, S15
42	1724944SM		BRAKE DISC/MOTOR GEAR (10T)
43	7073792YP		(TT) BEARING, 6202UC3
44	1718089SM		THRUST METAL
45	-----		* SWASH PLATE CMP
46	-----		* KIT, Thrust Bearing (Pump)
47	-----		* MAGNET HOLDER
48	1724956SM		WASHER, THRUST DIFF
49	-----		* CONTROL SHAFT
50	-----		* FULCRUM
51	-----		* SPRING, Torsion
52	-----		* CONTROL ARM A
53	1724347SM		CONTROL LEVER C
54	-----		* JERKY PLATE
55	-----		* WASHER, 12
56	1724349SM		COTTER PIN, 1/8 * 3/4

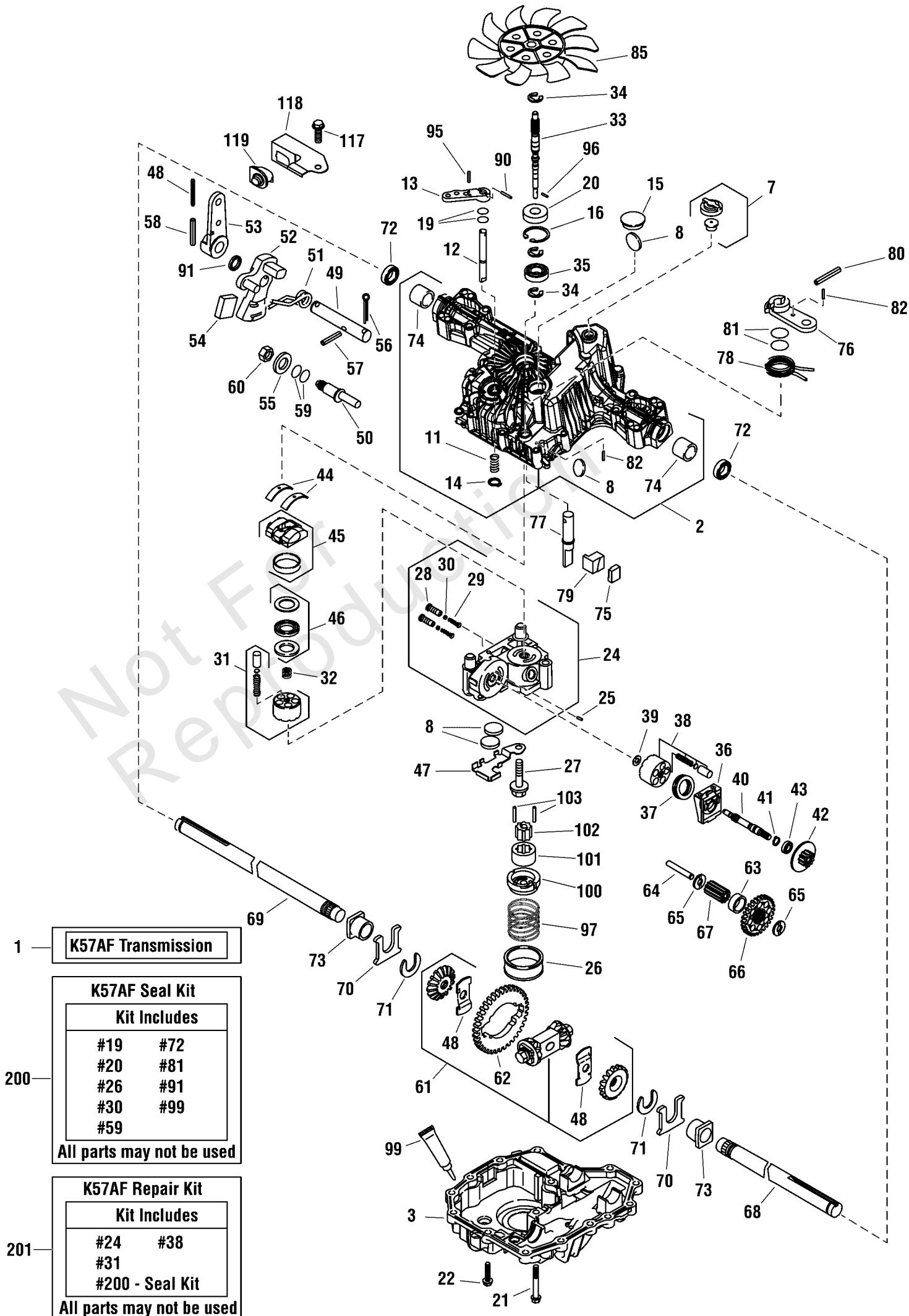
Footnotes:

Note:* See your local authorized dealership for parts and warranty or contact Tuff Torq at www.tufftorqservices.com (U.S. 1-866-572-3441 Int'l 01-423-585-1977)

Transmission SERVICE PARTS - Tuff Torq K57AF (1755450)

Note: Unless noted otherwise, use the standard torque specifications

Mfg. No: 2691670-01



Transmission SERVICE PARTS - Tuff Torq K57AF (1755450)

REF NO	PART NO	QTY	DESCRIPTION
57	-----		* SPRING PIN, 6 x 36
58	1718100SM		ROLL PIN 6 * 40
59	1707879SM		O-RING 1A P14
60	-----		* NUT, 12
61	-----		* KIT, Diff Gear
62	-----		* FINAL GEAR (54T)
63	1724946SM		COLLAR, PINION
64	-----		* REDUCTION SHAFT
65	1724948SM		WASHER, 12 * 32 * 3.2
66	1724949SM		REDUCTION GEAR (38T)
67	-----		* FINAL PINION (10T)
68	1724303SM		AXLE SHAFT, Left
69	1724304SM		AXLE SHAFT, Right
70	1718112SM		THRUST WASHER
71	1718113SM		RING, 17
72	1718111SM		SEAL, 19 * 32 * 8 -(For this part only contact B&S Tech support)
73	1718110SM		BUSHING, 19 * 25
74	-----		* BUSHING, 19.05
75	1724305SM		BRAKE SHOE
76	1724306SM		BRAKE LEVER
77	-----		* BRAKE SHAFT
78	-----		* SPRING, Brake Return
79	1724309SM		BRAKE ACTUATOR
80	1724310SM		SPRING PIN, 5 * 32
81	-----		* O-RING, 1A P12
82	1724311SM		SPRING PIN 4 * 16
85	1736306SM		FAN
86	1724315SM		WASHER, Wave
90	1707839SM		SPRING PIN, 3.0A * 20
91	1724318SM		OIL SEAL 16 * 22 * .03
95	-----		* SPRING PIN, 3.0A x 16
96	1724952SM		PIN 2.5* 9.8
97	-----		* CHARGE SPRING
99	-----		* SEALANT
100	1724953SM		CHARGE PUMP CASE ASSEMBLY
101	-----		* ROTOR, Inner
102	-----		* ROTOR, Outer
103	1724958SM		PIN, 3.0A x 18
117	-----		* SCREW, Tapping, 8 x 20
118	-----		* SWITCH BRACKET
119	-----		* SWITCH
200	1727542SM		SEAL KIT (K57A & K)
201	-----		* REPAIR KIT, K57R

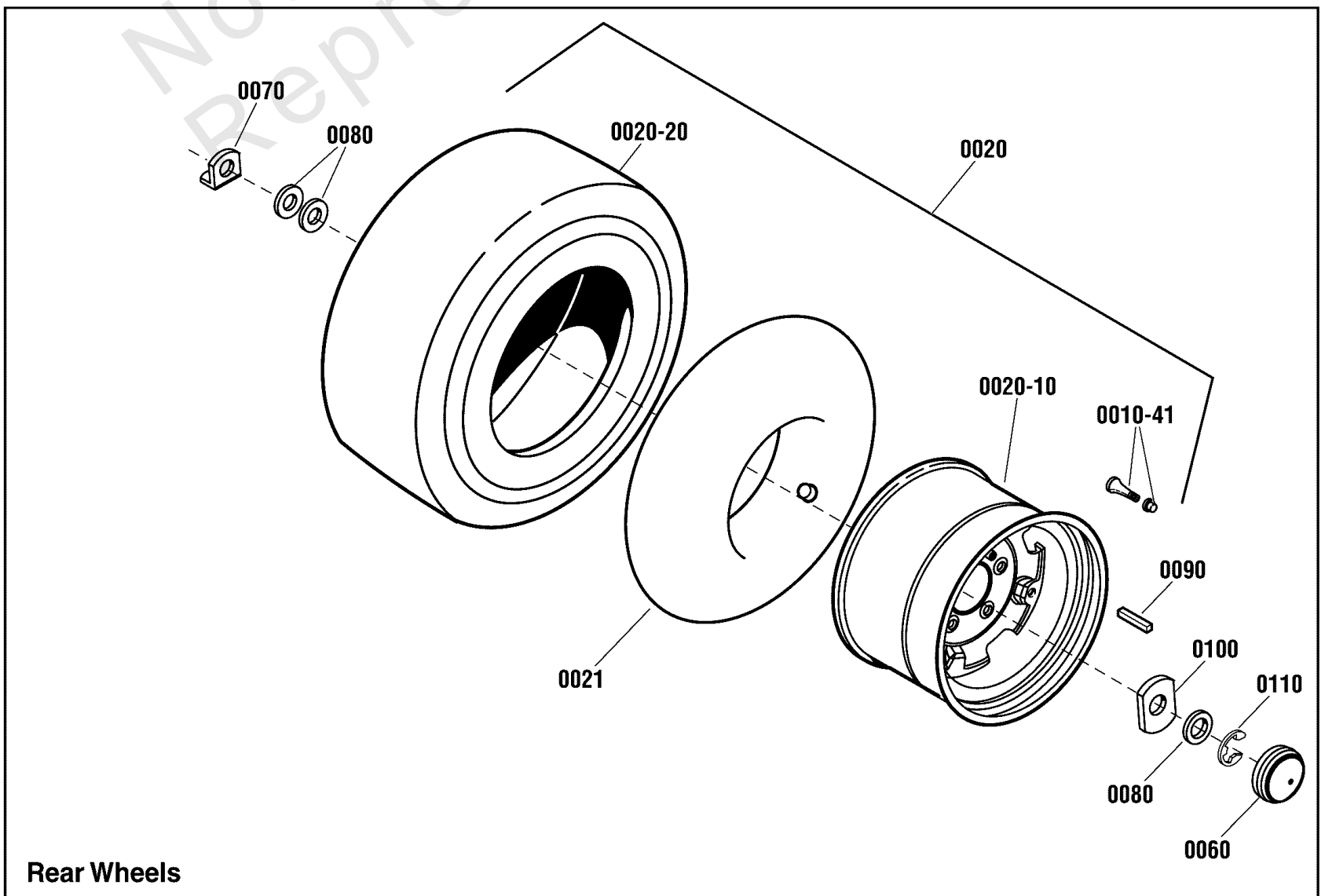
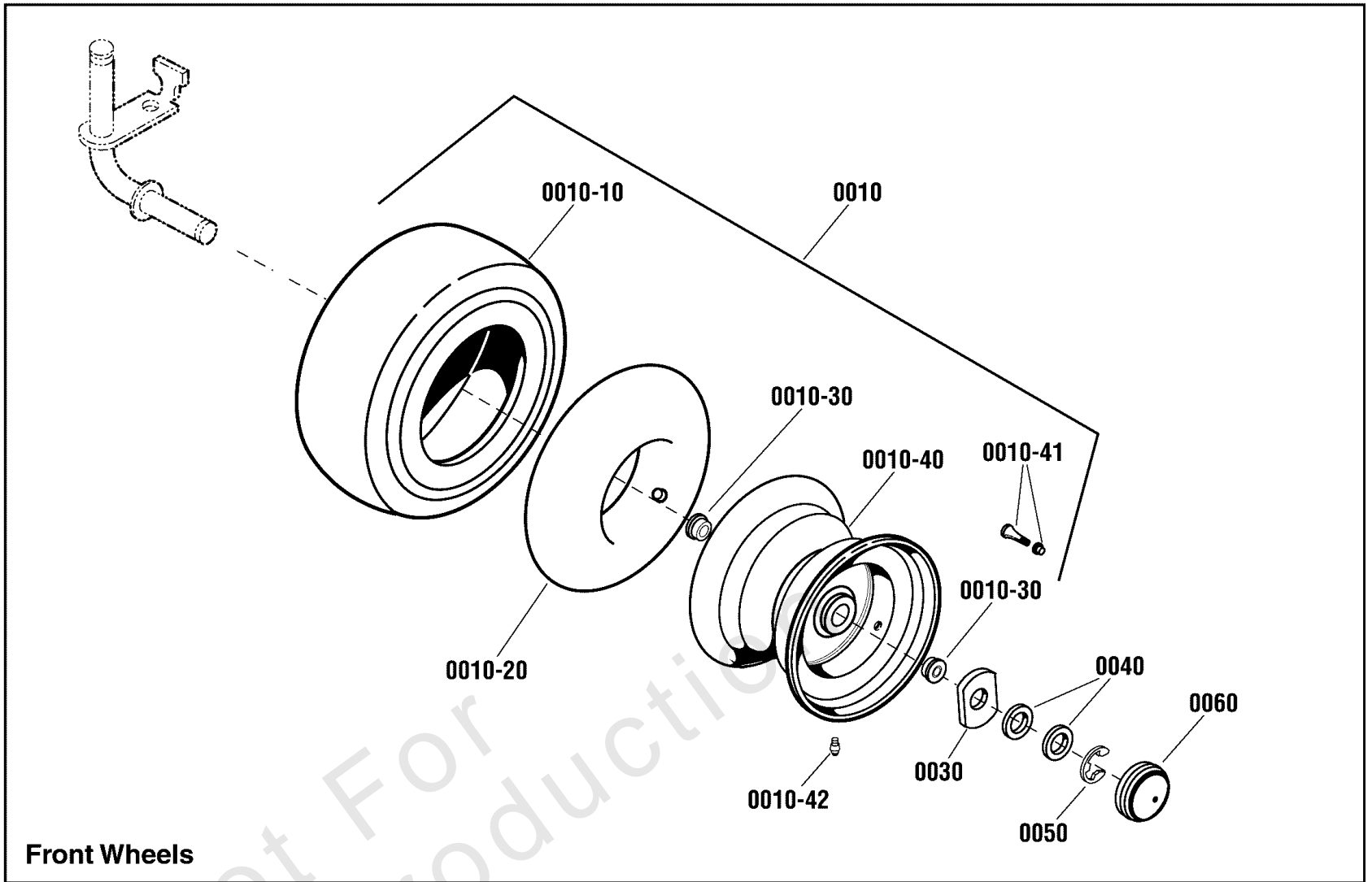
Footnotes:

Note:* See your local authorized dealership for parts and warranty or contact Tuff Torq at www.tufftorqservices.com (U.S. 1-866-572-3441 Int'l 01-423-585-1977)

Wheels & Tires Group

Note: Unless noted otherwise, use the standard torque specifications

Mfg. No: 2691670-01



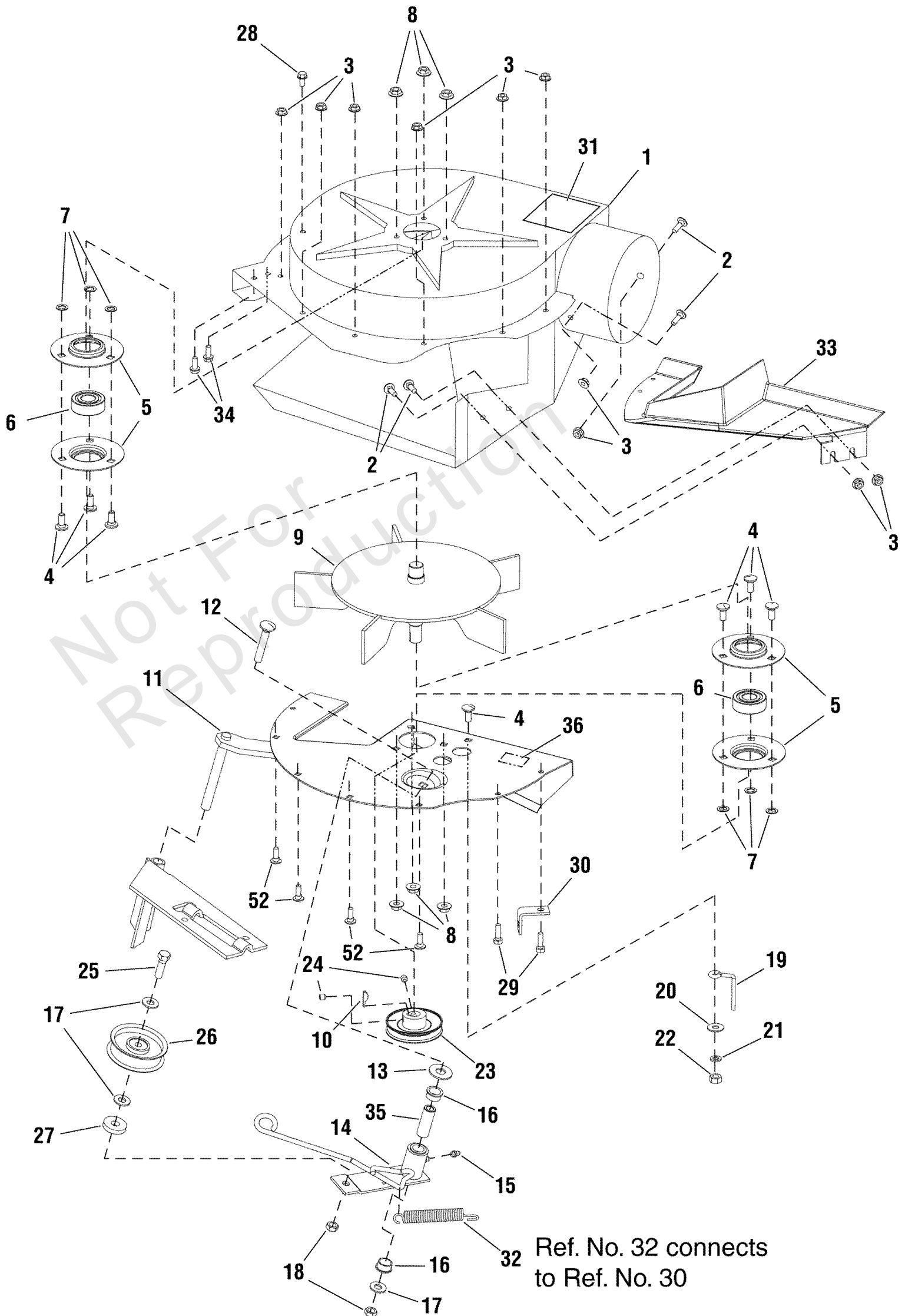
Wheels & Tires Group

REF NO	PART NO	QTY	DESCRIPTION
0010	1732202SM	2	WHEEL & TIRE ASMY 2 P -(Incl. Ref. Nos. 0010-10, 0010-20, 0010-30, 0010-40, 0010-41 & 0010-42)
0010-10	1733882SM	1	TIRE, 15 x 6, Super Turf -(Included with Ref. No. 0010)
0010-20	1664090SM	1	TUBE, Tire, Front, 4.10/3.50 -(Included with Ref. No. 0010)
0010-30	1717056SM	2	BEARING, Ball -(Included with Ref. No. 0010)
0010-40	1722837SM	1	WHEEL, 4-1/2" x 6" -(Included with Ref. No. 0010)(Includes Ref. 0010-41 & 0010-42)
0010-41	2172353SM	2	VALVE STEM & CAP -(Included with Ref. No. 0010)
0010-42	2812808SM	2	GREASE FITTING -(Included with Ref. No. 0010)
0020	1726491SM	2	WHEEL&TIRE ASMY BROAD -(Incl. Ref. Nos. 0020-10, 0020-20 & 0010-41)
0020-10	-----	1	RIM, Wheel -(Included with Ref. No. 0020)
0020-20	1727136SM	1	TIRE, 22 x 10, 10 Super Turf -(Included with Ref. No. 0020)
0021	2157638	2	TUBE, Tire, Rear
0030	1722726SM	2	WASHER, Hub Cap
0040	703149	4	WSHR
0050	2832577SM	2	RING, Retainer
0060	1722676SM	4	HUB CAP
0070	1737049AYP	2	WASHER, Axle Seal
0080	2860202SM	6	WASHER, 3/4
0090	5048409SM	2	KEY, 3/16" SQ. X 2-1/
0100	1722717SM	2	WASHER, Hub Cap
0110	2827794SM	2	KLIPRING, .75 Dia Shaft

Turbo, Blower Assembly

Note: Unless noted otherwise, use the standard torque specifications

Mfg. No: 2691670-01



Turbo, Blower Assembly

REF NO	PART NO	QTY	DESCRIPTION
1	1724441SM	1	HOUSING FAN ASSEMBLY
2	1931317SM	4	BOLT, Carriage, 1/4 - 20 x 3/4
3	1930641SM	10	NUT, Hex Flange Whiz Lock, 1/4 - 20
4	1931333SM	7	BOLT, Carriage, 5/16 -18 x 3/4
5	1665982ASM	4	RETAINER, Bearing
6	2108202SM	2	BEARING, BALL
7	1933988SM	6	PUSH NUT, 5/16
8	1927557SM	6	NUT, Hex Flange Whiz Lock
9	1706631ASM	1	FAN ASSEMBLY, Five Paddle
10	2860403SM	1	KEY, Woodruff
11	1706465ASM	1	PLATE ASSEMBLY
12	1931355SM	1	BOLT, Carriage, 3/8 -16
13	1924361SM	1	WASHER, Flat
14	1706284AYP	1	LEVER ASSEMBLY, Turbo
15	2821133SM	1	FITTING, Lube
16	1676148SM	2	BUSHING-0.628IDX
17	1924940SM	3	WASHER, Flat
18	1960251SM	2	NUT, Hex Center Lock Jam, 3/8 - 16
19	1678435SM	1	BELT, Stop
20	1924874SM	1	WASHER, Flat
21	1917356SM	1	LOCKWASHER, 5/16
22	1917372SM	1	NUT, Hex, 5/16 - 18
23	1706634SM	1	PULLEY ASSEMBLY IDLER
24	1960619SM	2	SETSCREW, Torx
25	1920415SM	1	CAPSCREW, Hex Head, 3/8 - 16 x 1-1/4
26	2154534SM	1	PULLEY ASSEMBLY IDLER
27	1933263SM	1	WASHER, Flat
28	1925003SM	1	SCREW, Washer Head Taptite, 1/4 - 20 x 1/2
29	1924009SM	2	CAPSCREW, Hex Head, 1/4 - 20 x 7/8
30	1668500SM	1	ANCHOR, Spring
31	1700259SM	1	DECAL, Danger -(Included with Ref. No. 1)
32	1716853SM	1	SPRING, Tension
33	1705267SM	1	PLATE-COVER, BLACK POL
34	1960728SM	2	SCREW, Hex Washer Head, 1/4 x 3/4
35	1676833SM	1	SPACER
36	-----	1	*DECAL, Patent
52	1921959SM	4	CAPSCREW, 1/4 - 20 x 5/8

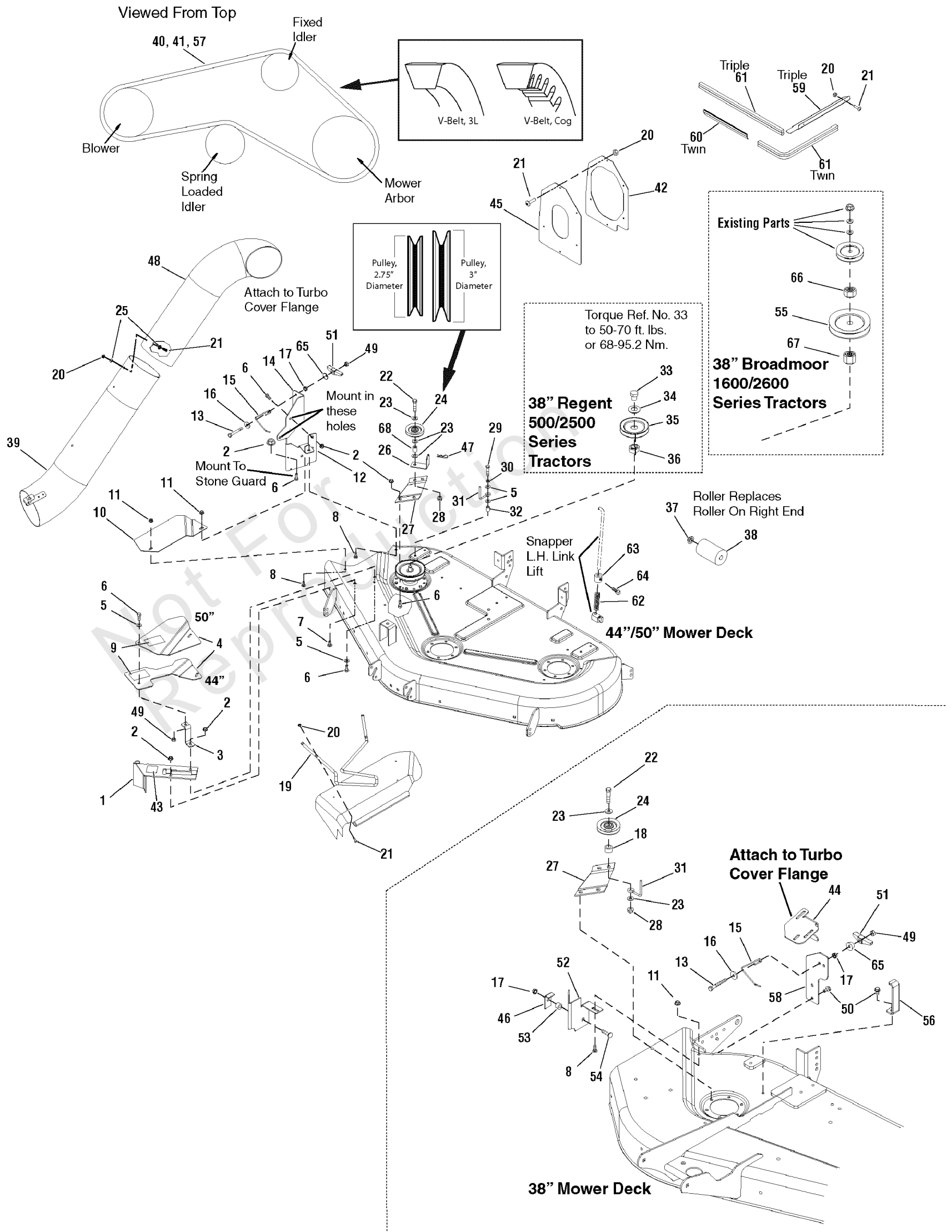
Footnotes:

Note:* Not a serviceable part.

Turbo, Mounting Kit

Note: Unless noted otherwise, use the standard torque specifications

Mfg. No: 2691670-01



Turbo, Mounting Kit

REF NO	PART NO	QTY	DESCRIPTION
1	1722546ASM	1	PIVOT BRACKET ASSEMBLY
2	1931277SM	4/8	NUT, Hex Whiz Lock Flange, 5/16 - 18
3	1718304ASM	1	SUPPORT, Belt Cover -(44" & 50" Mower Decks)
4	1724374ASM	1	COVER, Belt, 44"
4	1724376ASM	1	COVER, Belt, 50"
5	1919326SM	4	WASHER, 5/16 -(44" & 50" Mower Decks)
6	1923325SM	2/8	CAPSCREW, Hex, 5/16 - 18 x 7/8
7	1931333SM	2/1	BOLT, Carriage, 5/16 - 18 x 3/4
8	1931317SM	1/2	BOLT, Carriage, 1/4 - 20 x 3/4
9	1717291SM	2	DECAL, Warning -(44" & 50" Mower Decks)
10	1732591ASM	1/2	COVER, Mower -(44" & 50" Mower Decks)
11	1960685SM	2	NUT, Keps Conical, 1/4 - 20
12	1732592ASM	1	BRACKET, Baffle -(44" & 50" Mower Decks)
13	1960318SM	1	CAPSCREW, Hex, 5/16 - 18 x 2-1/2
14	1732619ASM	1	BAFFLE, Turbo -(44" & 50" Mower Decks)
15	1705064SM	1	SPRING, Latch
16	1919381SM	1	WASHER, 5/16
17	1960636SM	2	NUT, Keps Lock, 5/16 - 18
18	1667811SM	1	SPACER -(38" Mower Decks)
19	1718295ASM	1	ROD, Deflector
20	1933896SM	11/13	NUT, ESNA Lock, 10 - 24
21	1960404SM	11/13	SCREW, Truss Phillips, 10 - 24 x 3/4
22	1923701SM	1	CAPSCREW, Hex, 3/8 - 16 x 2
23	1924940SM	2/3	WASHER, Flat, 3/8
24	1714817SM	1	PULLEY, Idler, 2-3/4" Dia. -(For 3L V-Belt, Replaced by Service Kit Ref. Nos. 69, 70 or 71)
24	1721134SM	1	PULLEY, Idler, 3" Dia. -(For Cog Belt, Included in Service Kit Ref. Nos. 69, 70 & 71)
25	1910531SM	2	WASHER, Flat
26	1724373ASM	1	BRACKET, "L" -(44" & 50" Mower Decks)
27	1704768ASM	1	BRACKET, "Z"
28	1931211SM	1	NUT, Whiz Lock Small, 3/8 - 16
29	1921221SM	1	CAPSCREW, Hex, 5/16 - 18 x 1-1/2 -(44" & 50" Mower Decks)
30	1917356SM	1	LOCKWASHER, 5/16 -(44" & 50" Mower Decks)
31	2172845SM	1	STOP, Belt
32	1710703SM	1	SPACER, 3/8 x 1/2 x 5/8 -(44" & 50" Mower Decks)
33	1733078SM	1	NUT, 1-7/32 Sleeve Length -(For Regent 500/2500 Series Tractors)
33	1713523SM	1	NUT, 1-3/4 Sleeve Length -(For Broadmoor 1600/2600, 44" & 50" Series Tractors)
34	1603592SM	1	WASHER, Flat, 7/8
35	1709941SM	1	PULLEY, 4.3 -(44" & 50" Mower Decks)

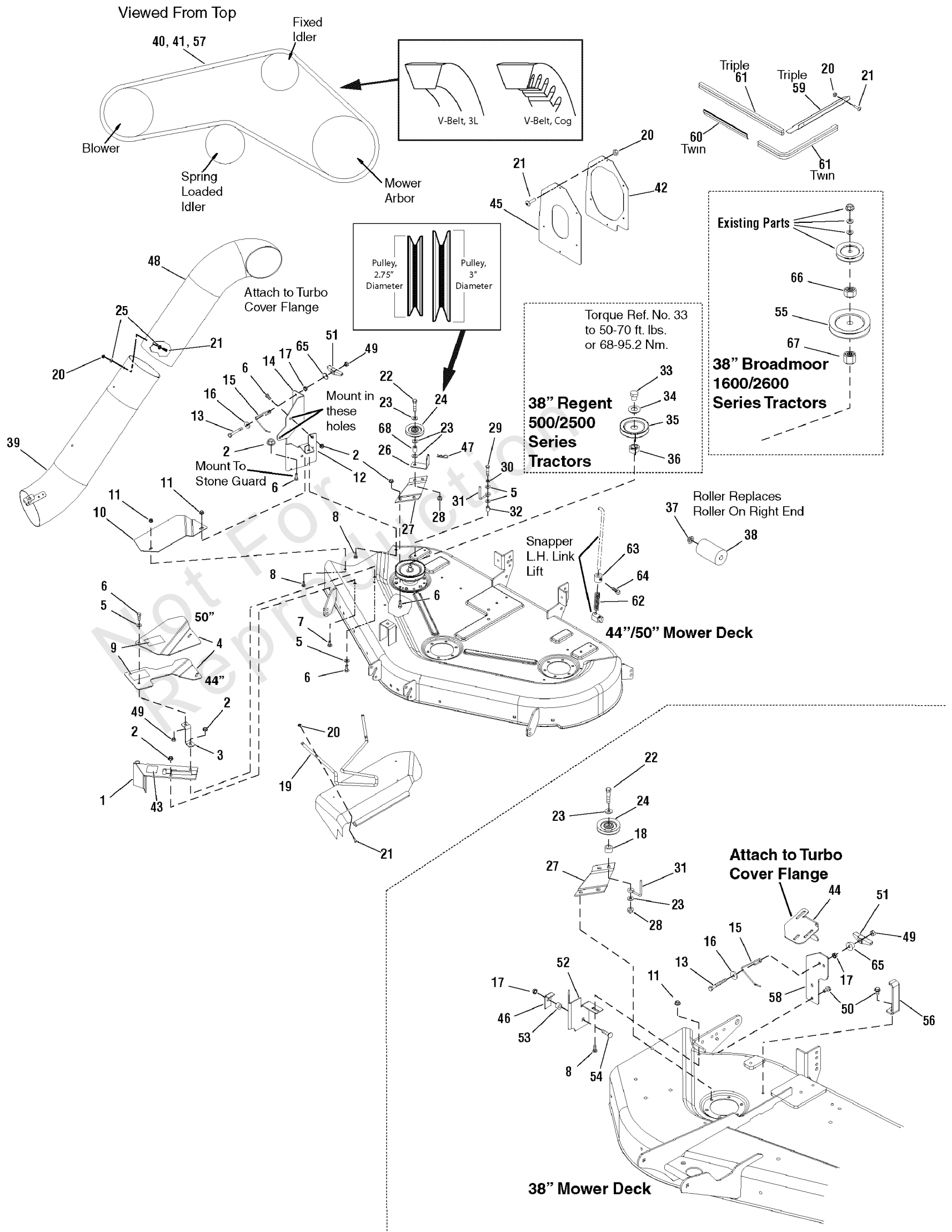
Footnotes:

Note:* Not a serviceable part.

Turbo, Mounting Kit

Note: Unless noted otherwise, use the standard torque specifications

Mfg. No: 2691670-01



Turbo, Mounting Kit

REF NO	PART NO	QTY	DESCRIPTION
36	1713623SM	1	HUB, 0.73L -(For Use On Regent 500/2500 Series Tractors)
36	1713634SM	1	HUB-.79IDX1.5ODX1.28L -(For Use On Conquest 1800/2700 and Prestige 1800/2800, 44" & 50" Series Tractors)
37	1960520SM	1	NUT, Push, 5/8 -(44" & 50" Mower Decks)
38	1713540SM	1	ROLLER -(44" & 50" Mower Decks)
39	1719719SM	1	TUBE ASSEMBLY, Lower
40	1732945SM	1	V-BELT, 3L, 37.90 -(44" Mower Decks - Replaced by Service Kit Ref. No. 70)
40	1736553YP	1	V-BELT, Cog, 37.90 -(44" Mower Decks - Included in Service Kit Ref. No. 70)
41	1732801SM	1	V-BELT, 3L, 37.90 -(50" Mower Decks - Replaced by Service Kit Ref. No. 71)
41	1736554YP	1	V-BELT, Cog, 39.62 -(50" Mower Decks - Included in Service Kit Ref No. 71)
42	1732735ASM	1	FLANGE, Seal
43	-----	1	*DECAL, Patent
44	1733077ASM	1	LATCH - 38" Turbo -(38" Mower Decks)
45	1733741SM	1	SEAL, Cover
46	1705308ASM	1	BRACKET, "L" Turbo -(38" Mower Decks)
47	1960074SM	1	CLIP, HAIR PIN .093DI -(44" & 50" Mower Decks)
48	1732800SM	1	TUBE, Upper
49	1919438SM	1/2	NUT, ESNA, 5/16 - 18
50	1930601SM	3	SCREW, 5/16 - 18 x 5/8 -(38" Mower Decks)
51	071294MA	1	WINGNUT
52	1733076ASM	1	DEFLECTOR -(38" Mower Decks)
53	1666294SM	1	SPACER -(38" Mower Decks)
54	1960223SM	1	BOLT-RD HD SH SQ NK 5 -(38" Mower Decks)
55	1713091SM	1	PULLY -(38" Mower Decks)
56	1722750ASM	1	STOP - UP BRACKET -(38" Mower Decks)
57	1733980SM	1	V-BELT, 3L, 47.70 -(38" Mower Decks - Replaced by Service Kit Ref. No. 69)
57	1737073YP	1	V-BELT, Cog, 47.875 -(38" Mower Decks - Included in Service Kit Ref. No. 69)
58	1724370ASM	1	BRACE, Turbo -(38" Mower Decks)
59	1733580ASM	1	PLATE, Deflector -(44" & 50" Mower Decks)
60	1717496SM	1	SEAL, Rubber
61	1733579SM	1	SEAL, Rubber
62	1729277SM	1	SPRING, Compression
63	1719777SM	1	COLLAR, Locking
64	1928721SM	1	SCREW, Set, 5/16 - 19

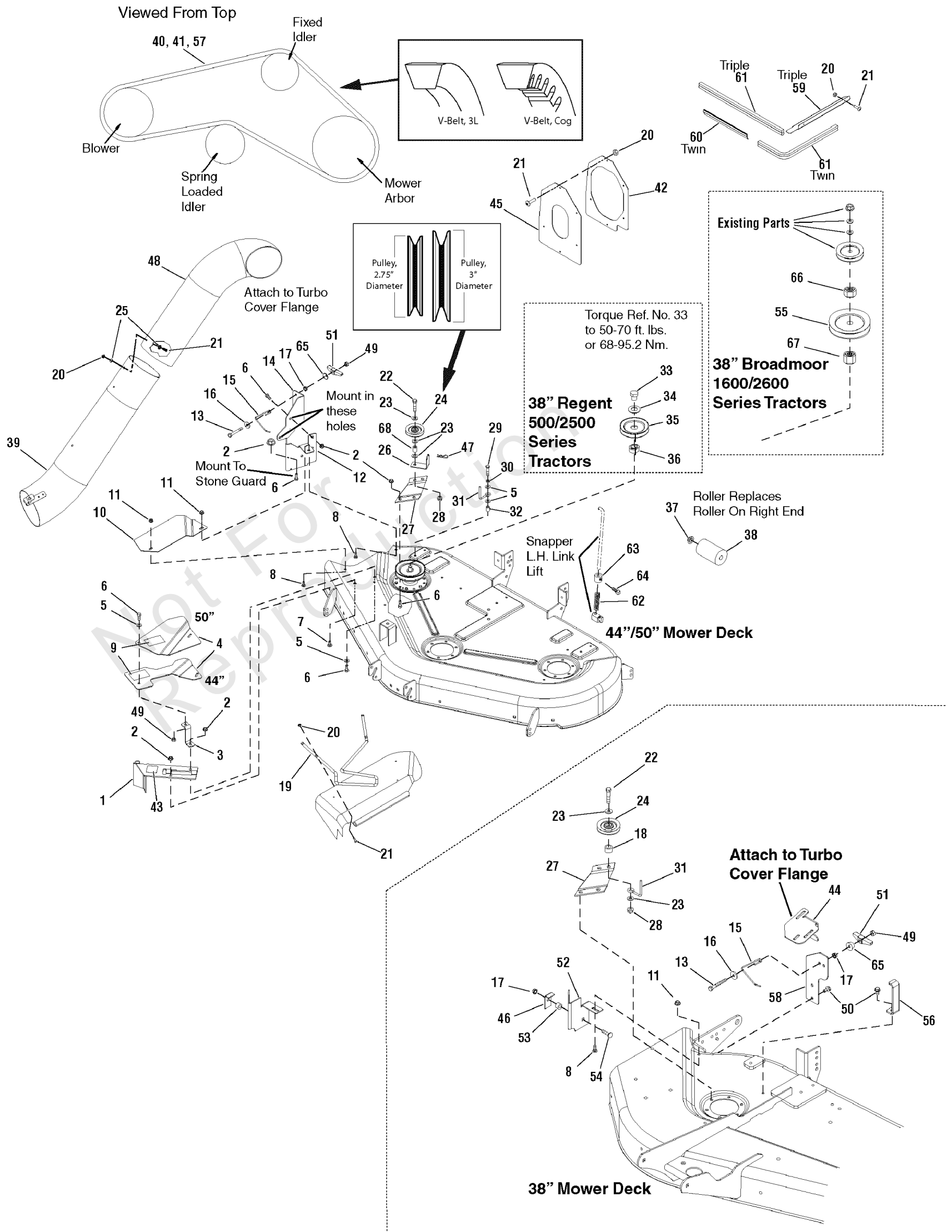
Footnotes:

Note:* Not a serviceable part.

Turbo, Mounting Kit

Note: Unless noted otherwise, use the standard torque specifications

Mfg. No: 2691670-01



Turbo, Mounting Kit

REF NO	PART NO	QTY	DESCRIPTION
65	1709256SM	1	WASHER, Spring, 5/16 x 1 1/4
66	1713613SM	1	HUB, PULLY, 0.681D x 1.50OD x 1.24LG -(For Use On 38" Broadmoor 1800/2600 Series Tractors)
67	1713621SM	1	HUB, PULLY, 0.681D x 1.50OD x 1.65LG -(For Use On 38" Broadmoor 1800/2600 Series Tractors)
68	2108717SM	1	SPACER, 5/8" O.D., 17/64" Long -(38" & 44" Mower Decks - Included in Service Kit Ref. Nos. 69 & 70)
69	1687415YP	1	KIT, Belt & Pulley, 38" Mower Decks
70	1687416YP	1	KIT, Belt & Pulley, 44" Mower Decks
71	1687417YP	1	KIT, Belt & Pulley, 50" Mower Decks
--	1660934SM	1	HARDWARE BAG
--	1732839	1	INSTALLATION INSTRUCTIONS

Not For
Reproduction

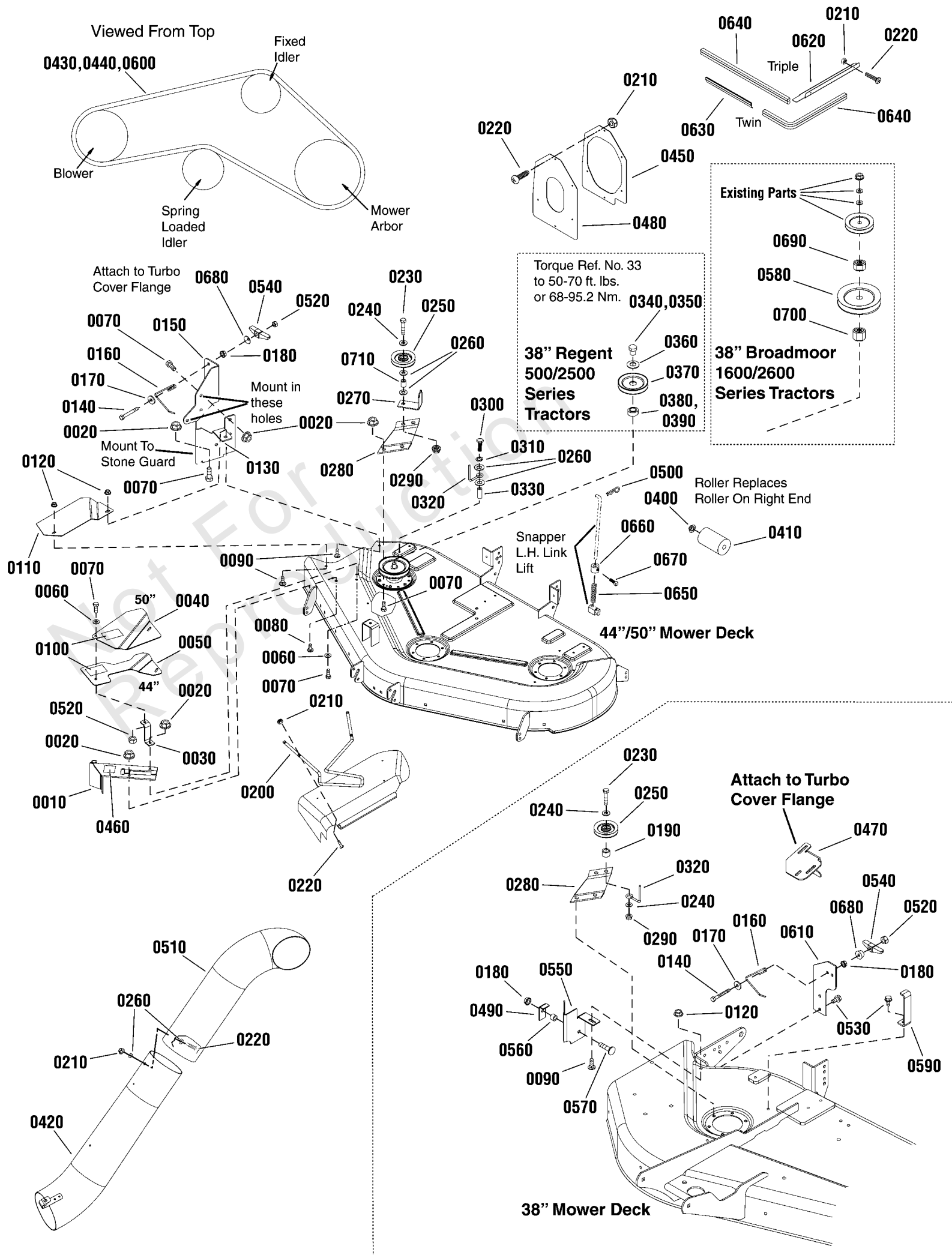
Footnotes:

Note:* Not a serviceable part.

Turbo, Mounting Kit

Note: Unless noted otherwise, use the standard torque specifications

Mfg. No: 2691670-01



Turbo, Mounting Kit

REF NO	PART NO	QTY	DESCRIPTION
0010	1722546A	1	PIVOT BRACKET ASSEMBLY
0020	1931277	8	NUT, Hex Whiz Lock Flange, 5/16-18
0030	1718304A	1	SUPPORT, Belt Cover -(44" & 50" Mower Decks)
0040	1724376A	1	COVER, Belt, 50
0050	1724374A	1	COVER, Belt, 44
0060	1919326	4	WASHER, Flat, 5/16 -(44" & 50" Mower Decks)
0070	1923325	8	CAPSCREW, Hex, 5/16-18 x 7/8
0080	1931333	2	BOLT, Carriage, 5/16-18 x 3/4
0090	1931317	2	BOLT, Carriage, 1/4-20 x 3/4
0100	1717291	2	DECAL, Warning -(44" & 50" Mower Decks)
0110	1732591A	1	COVER, Mower -(44" & 50" Mower Decks)
0120	1960685	2	NUT, Keps Conical, 1/4 - 20
0130	1732592A	1	BRACKET, Baffle -(44" & 50" Mower Decks)
0140	1960318	1	CAPSCREW, Hex, 5/16 - 18 x 2-1/2
0150	1732619A	1	BAFFLE, Turbo -(44" & 50" Mower Decks)
0160	1705064	1	SPRING, Latch
0170	1919381	1	WASHER, 5/16
0180	1960636	2	NUT, Keps Lock, 5/16 - 18
0190	1667811	1	SPACER, 11/32 Long -(38" Mower Decks)
0200	1718295	1	ROD, Deflector
0210	1933896	13	NUT, ESNA Lock, 10-24
0220	1960404	13	SCREW, Truss Phillips, 10-24 x 3/4
0230	1923701	1	CAPSCREW, Hex, 3/8-16 x 2
0240	1924940	2	WASHER, Flat, 3/8
0250	1714817	1	PULLEY, Idler, 2-3/4" Dia. -(For 3L V-Belt, Replaced by Service Kit Ref. Nos. 0720, 0730 or 0740)
0250	1721134	1	PULLEY, Idler, 3" Dia. -(For Cog Belt, Included in Service Kit Ref. Nos. 0720, 0730 & 0740)
0260	1910531	2	WASHER, Rivet, 3/16
0270	1724373A	1	BRACKET, "L -(44" & 50" Mower Decks)
0280	1704768A	1	BRACKET, "Z
0290	1931211	1	NUT, Whiz Lock Small, 3/8-16
0300	1921221	1	CAPSCREW, Hex, 5/16-18 x 1-1/2 -(44" & 50" Mower Decks)
0310	1917356	1	LOCKWASHER, 5/16 -(44" & 50" Mower Decks)
0320	2172845	1	STOP, Belt
0330	1710703	1	SPACER, 5/8 Long -(44" & 50" Mower Decks)
0340	1733078	1	NUT, 1-7/32 Sleeve Length -(For Regent 500/2500 Series Tractors)
0350	1713523	1	NUT, 1-3/4 Sleeve Length -(For Broadmoor 1600/2600, 44" & 50" Series Tractors)
0360	1603592	1	WASHER, Flat, 7/8
0370	1709941	1	PULLEY, 4-5/16 OD -(44" & 50" Mower Decks)

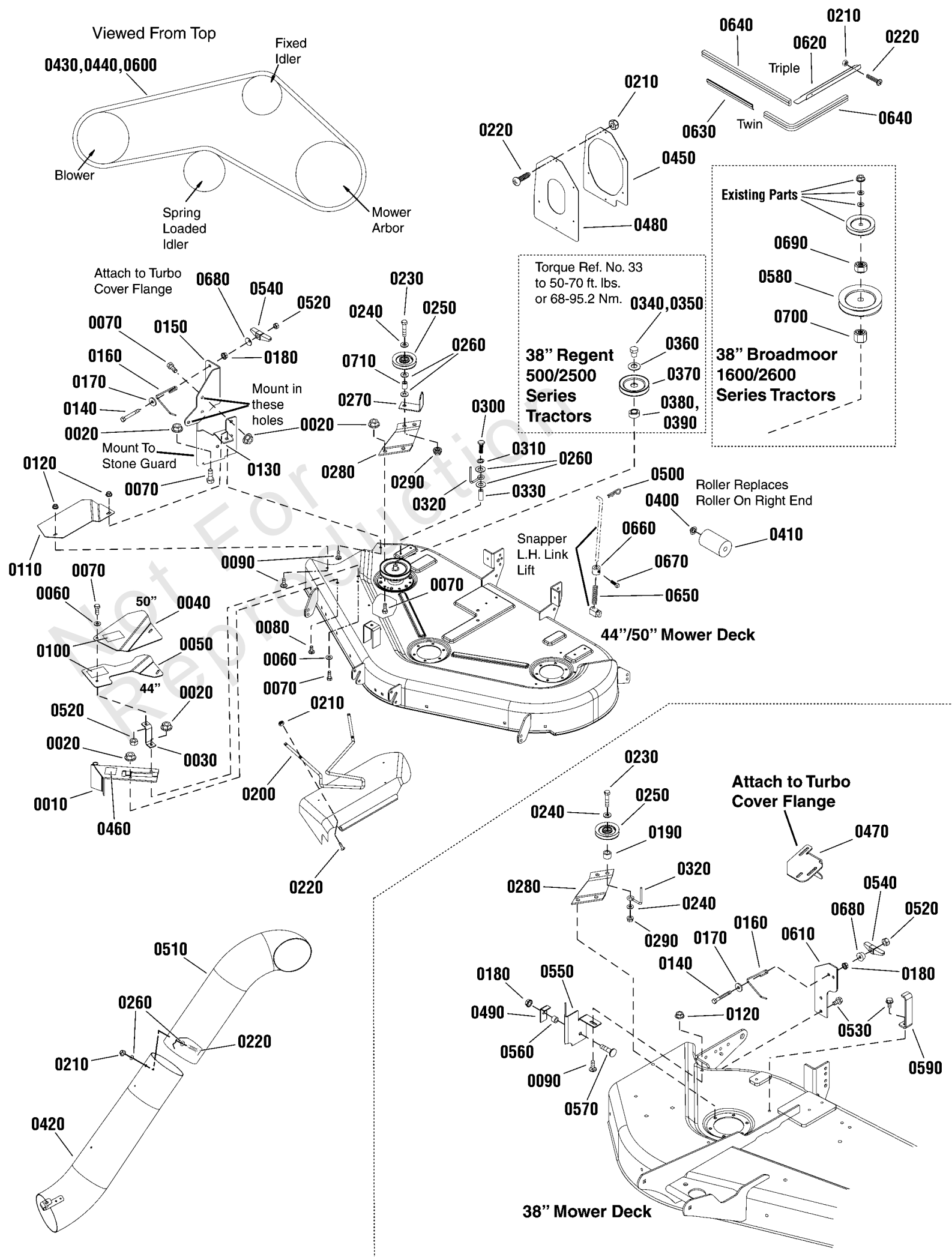
Footnotes:

Note:*(Not a serviceable part)

Turbo, Mounting Kit

Note: Unless noted otherwise, use the standard torque specifications

Mfg. No: 2691670-01



Turbo, Mounting Kit

REF NO	PART NO	QTY	DESCRIPTION
0380	1713623	1	HUB, 0.73L -(For Use On Regent 500/2500 Series Tractors)
0390	1713634	1	HUB, 1.28L -(For Use On Conquest 1800/2700 and Prestige 1800/2800, 44" &
0400	1960520	1	NUT, Push -(44" & 50" Mower Decks)
0410	1713540	1	ROLLER -(44" & 50" Mower Decks)
0420	1719719	1	TUBE ASSEMBLY, Lower
0430	1734004	1	V-BELT, 3L, 39.62 -(50" Mower Decks - Replaced by Service Kit Ref. No. 0740)
0430	1736554	1	V-BELT, Cog, 39.62 -(50" Mower Decks - Included in Service Kit Ref No. 0740)"1736553YP
0440	1732945	1	V-BELT, 3L, 37.90 -(44" Mower Decks - Replaced by Service Kit Ref. No. 0730)
0440	1736553	1	V-BELT, Cog, 37.90 -(44" Mower Decks - Included in Service Kit Ref. No. 0730)"1736554YP
0450	1732735A	1	SEAL, Flange
0460	-----	1	* DECAL, Patent
0470	1733077A	1	LATCH -(38" Mower Decks)
0480	1733741	1	SEAL, Cover
0490	1705308A	1	BRACKET, "L" Turbo -(38" Mower Decks)
0500	1960074	1	PIN, Klik -(44" & 50" Mower Decks)
0510	1732800	1	TUBE, Upper
0520	1919438	2	NUT, Hex Lock ESNA Light, 5/16-18
0530	1930601	3	SCREW, 5/16-18 x 5/8 -(38" Mower Decks)
0540	720727	1	WINGNUT
0550	1733076A	1	DEFLECTOR -(38" Mower Decks)
0560	1666294	1	SPACER -(38" Mower Decks)
0570	1960223	1	BOLT, Carriage, 5/16 - 18 x 1 1/4 -(38" Mower Decks)
0580	1713091	1	PULLEY, 5 OD -(38" Mower Decks)
0590	1722750A	1	BRACKET, Upstop -(38" Mower Decks)
0600	1733980	1	V-BELT, 3L, 47.70 -(38" Mower Decks - Replaced by Service Kit Ref. No. 0720)
0600	1737073	1	V-BELT, Cog, 47.875 -(38" Mower Decks - Included in Service Kit Ref. No. 0720)"1737073YP
0610	1724370A	1	BRACE, Turbo -(38" Mower Decks)
0620	1733580A	1	PLATE, Deflector -(44" & 50" Mower Decks)
0630	1717496	1	SEAL, Rubber
0640	1733579	1	SEAL, Rubber
0650	1729277	1	SPRING, Compression
0660	1719777	1	COLLAR, Locking
0670	1928721	1	SCREW, Set, 5/16 - 19

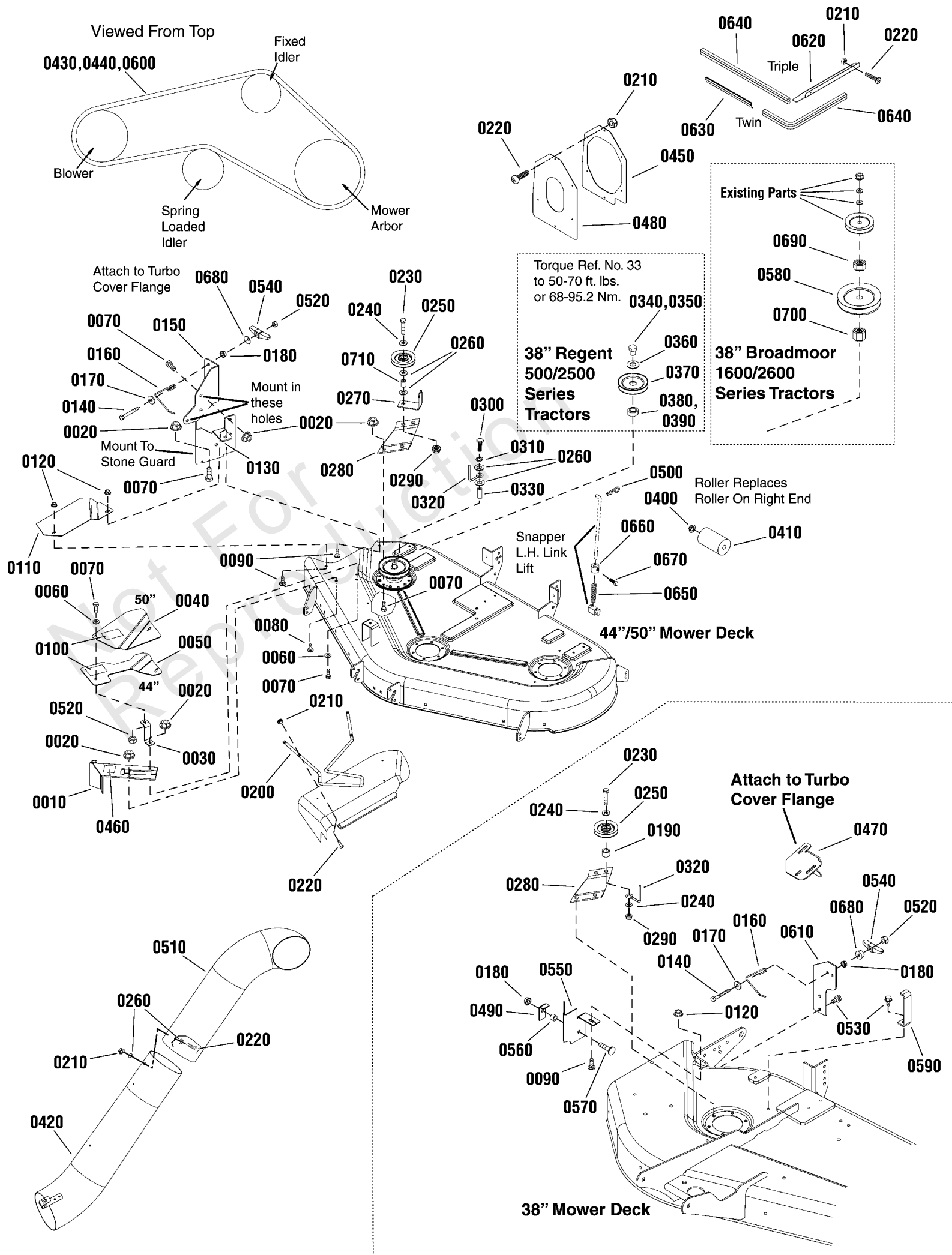
Footnotes:

Note:*(Not a serviceable part)

Turbo, Mounting Kit

Note: Unless noted otherwise, use the standard torque specifications

Mfg. No: 2691670-01



Turbo, Mounting Kit

REF NO	PART NO	QTY	DESCRIPTION
0680	1709256	1	WASHER, Cup, 21/64 x 1-1/4 OD
0690	1713613	1	HUB, PULLY, 11/16 ID x 1-1/2 OD x 1-1/4 Lg -(For Use On 38" Broadmoor 1800/2600 Series Tractors)
0700	1713621	1	HUB, PULLY, 11/16 ID x 1-1/2 OD x 1.65 Lg -(For Use On 38" Broadmoor 1800/2600 Series Tractors)
0710	2108717	1	SPACER, 5/8" OD x 17/64" Lg -(38" & 44" Mower Decks - Included in Service Kit Ref. Nos. 0730, 0740)
--	1687415	1	KIT, Belt & Pulley -(38" Mower Decks)
--	1687416	1	KIT, Belt & Pulley -(44" Mower Decks)
--	1687417	1	KIT, Belt & Pulley -(50" Mower Decks)
--	1660934	1	*HARDWARE BAG
--	1732839	1	INSTALLATION INSTRUCTIONS

Not For
Reproduction

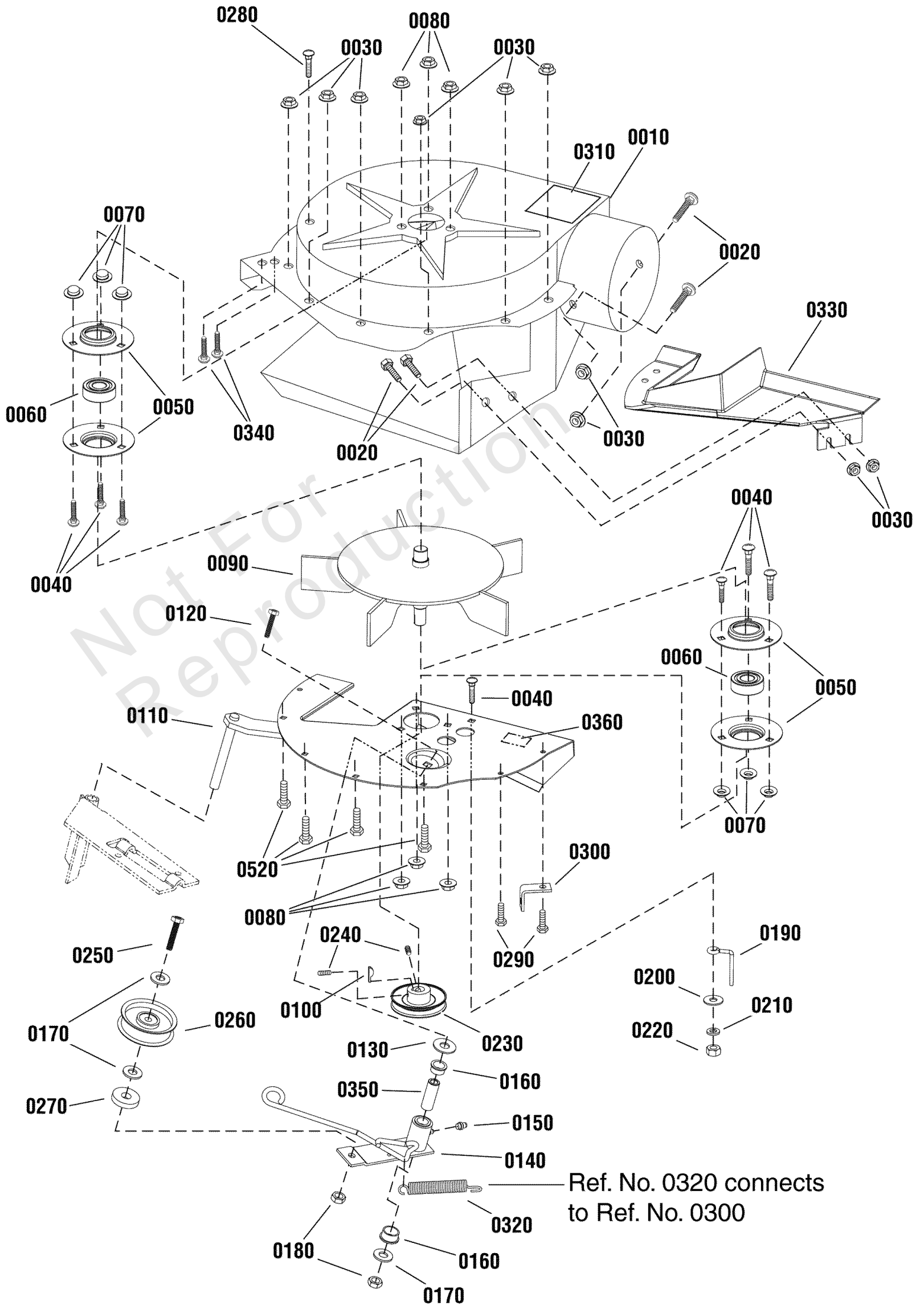
Footnotes:

Note:*(Not a serviceable part)

Turbo Blower Group

Note: Unless noted otherwise, use the standard torque specifications

Mfg. No: 2691670-01



Turbo Blower Group

REF NO	PART NO	QTY	DESCRIPTION
0010	1724441	1	HOUSING FAN ASSEMBLY
0020	1931317	4	BOLT, Carriage, 1/4 - 20 x 3/4
0030	1930641	10	NUT, Hex Flange Whiz Lock, 1/4-20
0040	1931333	7	BOLT, Carriage, 5/16 -18 x 3/4
0050	1665982A	4	RETAINER, Bearing
0060	2108202	2	BEARING
0070	1933988	6	PUSH NUT, 5/16
0080	1927557	6	NUT, Hex Flange Whiz Lock, 5/16-18
0090	1706631A	1	FAN ASSEMBLY, 5 Blades
0100	2860403	1	KEY, Woodruff
0110	1706465A	1	PLATE ASSEMBLY
0120	1931355	1	BOLT, Carriage, 3/8 -16
0130	1924361	1	WASHER, Flat
0140	1706284A	1	LEVER ASSEMBLY, Turbo
0150	2821133	1	FITTING, Lube
0160	1676148	2	BUSHING
0170	1924940	3	WASHER, Flat, 3/8 x 7/8 OD
0180	1960251	2	NUT, Hex Center Lock Jam, 3/8-16
0190	1678435	1	BELT, Stop
0200	1924874	1	WASHER, Flat, 5/16 x 7/8 OD
0210	1917356	1	LOCKWASHER, 5/16
0220	1917372	1	NUT, Hex, 5/16 - 18
0230	1736092	1	PULLEY ASSEMBLY IDLER
0240	1960619	2	SETSCREW, Torx
0250	1920415	1	CAPSCREW, Hex Head, 3/8 - 16 x 1-1/4
0260	2154534	1	PULLEY ASSEMBLY, Idler
0270	1933263	1	WASHER, Flat, 7/16 x 1-1/4 OD
0280	1925003	1	SCREW, Washer Head Taptite, 1/4-20 x 1/2
0290	1924009	2	CAPSCREW, Hex Head, 1/4-20 x 7/8
0300	1668500	1	ANCHOR, Spring
0310	1700259	1	DECAL, Danger -(Included with Ref. No. 1)
0320	1716853	1	SPRING, Tension
0330	1705267	1	PLATE, Cover
0340	1960728	2	SCREW, Hex Washer Head, 1/4 x 3/4
0350	1676833	1	SPACER
0360	-----	1	* DECAL, Patent
0520	1921959	4	CAPSCREW, 1/4-20 x 5/8

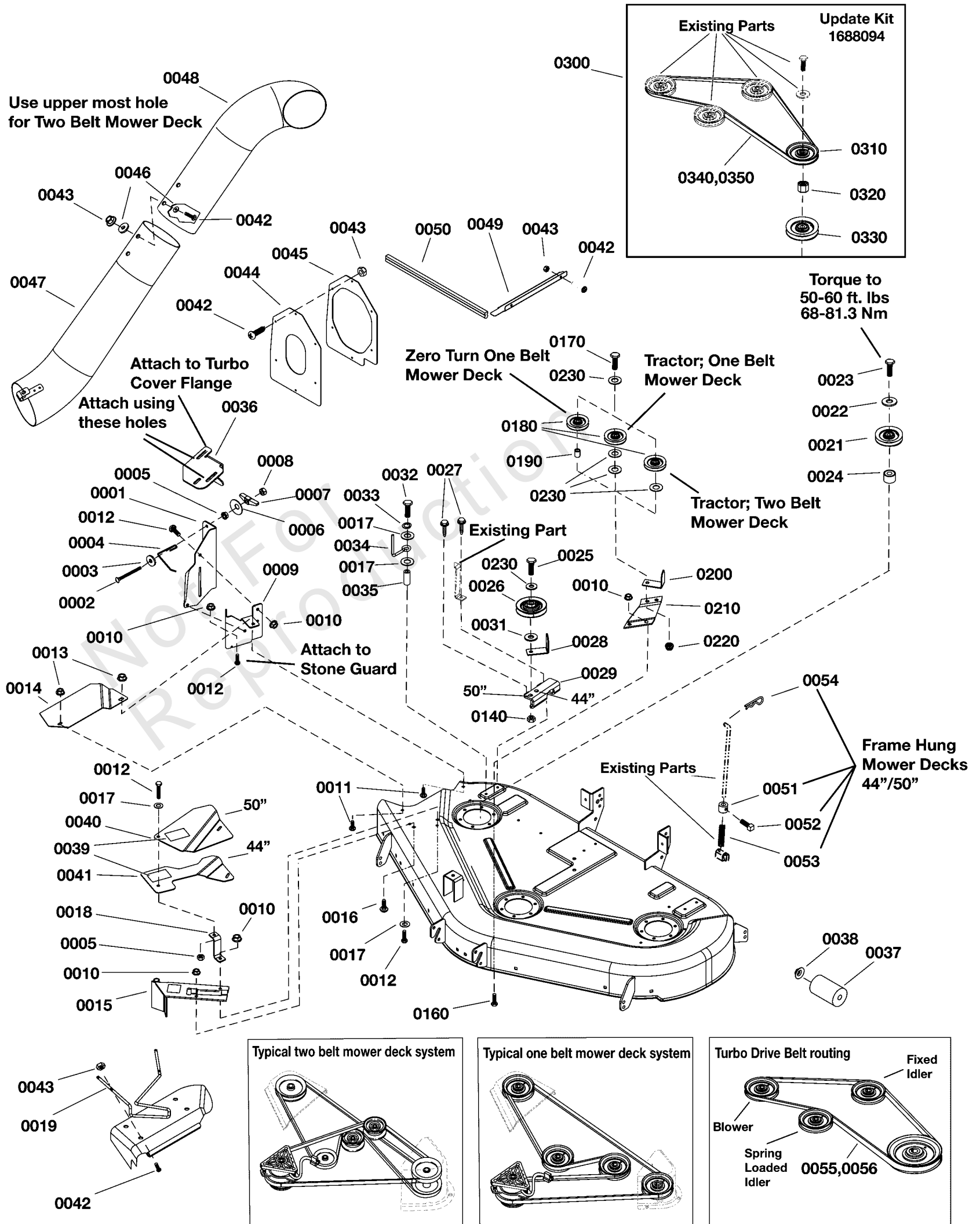
Footnotes:

Note:* Not a serviceable part.

Turbo Mounting Kit

Note: Unless noted otherwise, use the standard torque specifications

Mfg. No: 2691670-01



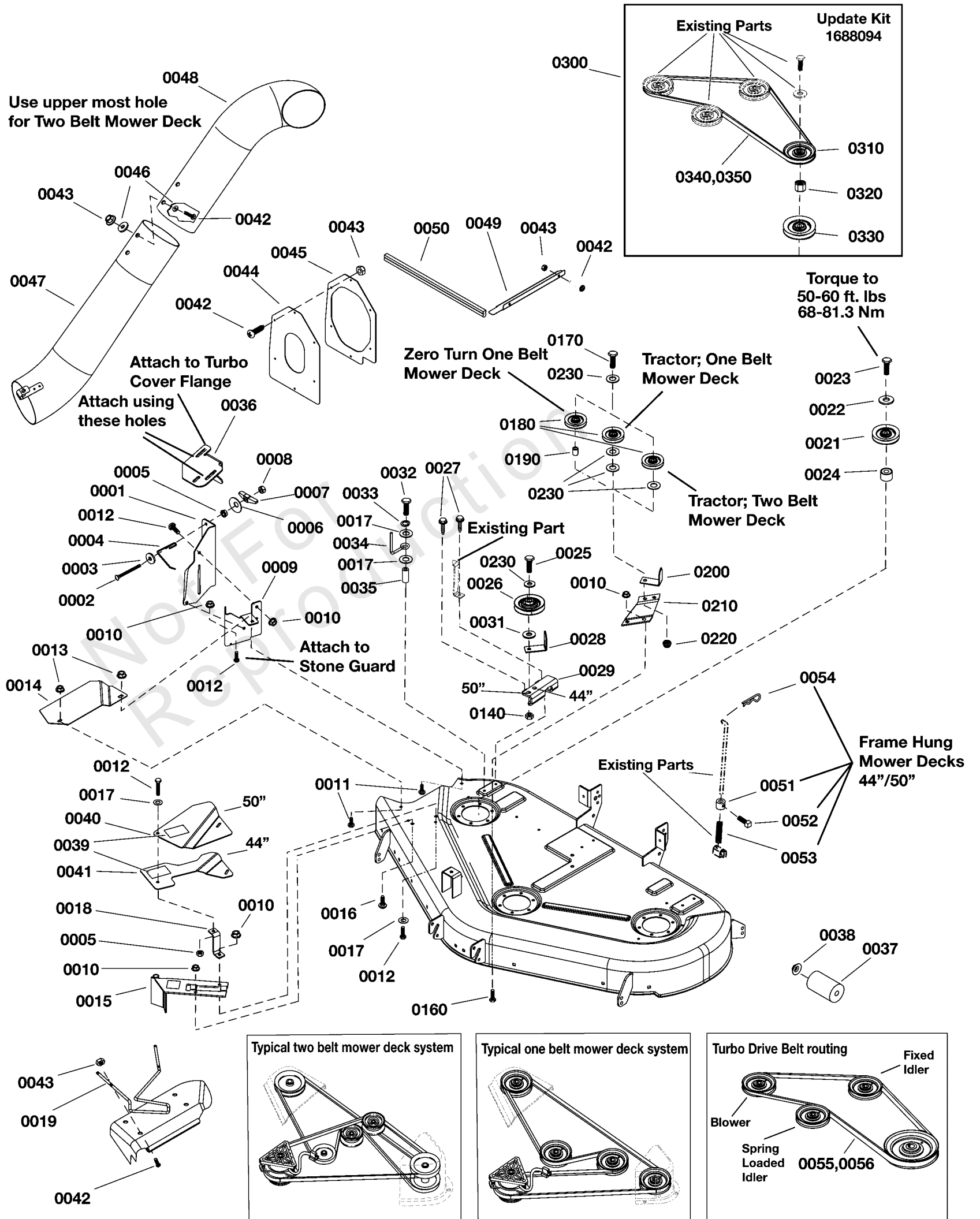
Turbo Mounting Kit

REF NO	PART NO	QTY	DESCRIPTION
0001	1732619ASM	1	BAFFLE, Turbo
0002	1960318SM	1	CAPSCREW, Hex Head, 5/16-18 x 2-1/2 G5 Flat Black
0003	703298	1	WASHER, 5/16
0004	1705064SM	1	SPRING, Latch, .125WIRE 4.3LG Black
0005	1960636SM	2	NUT, Hex, 5/16-18
0006	1709256SM	1	WASHER, Spring, 5/16 x 1 1/4
0007	671294MA	1	WINGNUT, .5/16-18
0008	1501883701MA	1	NUT, Hex Nylock, 5/16-18
0009	1732592ASM	1	BRACKET, Baffle
0010	1931277SM	6	NUT, Hex Flange Whiz Lock Small, 5/16-18
0011	703576	2	BOLT, Carriage, 1/4-20 x 3/4, G5
0012	1923325SM	6	CAPSCREW, Hex Head, 5/16-18 x 7/8, G5
0013	1960685SM	2	NUT, Hex, KEPS, Conical, 1/4-20
0014	1732591ASM	1	COVER, Mower
0015	1722546ASM	1	PIVOT & BRACKETS ASSEMBLY, 38, 44 & 50"
0016	1931333SM	1	BOLT, Carriage, Short Neck, 5/16-18 x 3/4, GR 5
0017	1919326SM	4	WASHER, 5/16
0018	1718304ASM	1	SUPPORT, Belt Cover 10GA 1.0WD 3.0LG
0019	1718295SM	1	ROD
0021	1709941SM	1	PULLEY, 4-5/16" OD
0022	1656916SM	1	WASHER, SPRING 0.475I
0023	1927531SM	1	CAPSCREW-HEX HD 7/16-
0024	706362	1	SPACER, HUB
0025	703589	1	CAPSCREW, 3/8-16X2
0026	1721134SM	1	PULLEY, 3" OD
0027	704146	2	SCREW, HEX, 5/16-18X1
0028	1724373ASM	1	BRACKET, L 12GA 1.24WD 2.24LG 2.28LG
0029	1756261AYP	1	BRACKET, Idler Pulley
0031	704128	1	WASHER
0032	703906	1	CAPSCREW, 5/16-18X1.5
0033	703116	1	LCKWSHR
0034	2172845SM	1	STOP, Belt, .188WIRE 1.750,2.250 Black
0035	1710703SM	1	SPACER, 3/8 x 1/2 x 5/8
0036	1733077ASM	1	LATCH - 38" Turbo
0037	1713540SM	1	ROLLER, 2 1/2 OD
0038	1960520SM	1	NUT, Push, 5/8
0039	1717291SM	2	DECAL, WARNING Sheild & Mower Deflector
0040	1724376ASM	1	COVER, Belt, 50"
0041	1724374ASM	1	COVER, Belt, 44"
0042	1960404SM	13	SCREW, Truss Head, Phillips, #10-24 x 3/4,
0043	MT15X146MA	13	NUT, Nylock, #10-24
0044	1733741SM	1	SEAL, Cover
0045	1732735ASM	1	FLANGE, Seal
0046	1910531SM	2	WASHER, Rivet, 3/16
0047	1719719SM	1	ASSEMBLY, Tube & Clip, Lower
0048	1732800SM	1	ELBOW, Vacuum
0049	1733580ASM	1	PLATE, Deflector
0050	1733579SM	1	EDGING, 21-1/2"
0051	1719777SM	1	COLLAR, Set
0052	1928721SM	1	SETSCREW, Square Head, 5/16-18 x 1/2, G8
0053	1729277SM	1	SPRING, Composite, 3-5/8

Turbo Mounting Kit

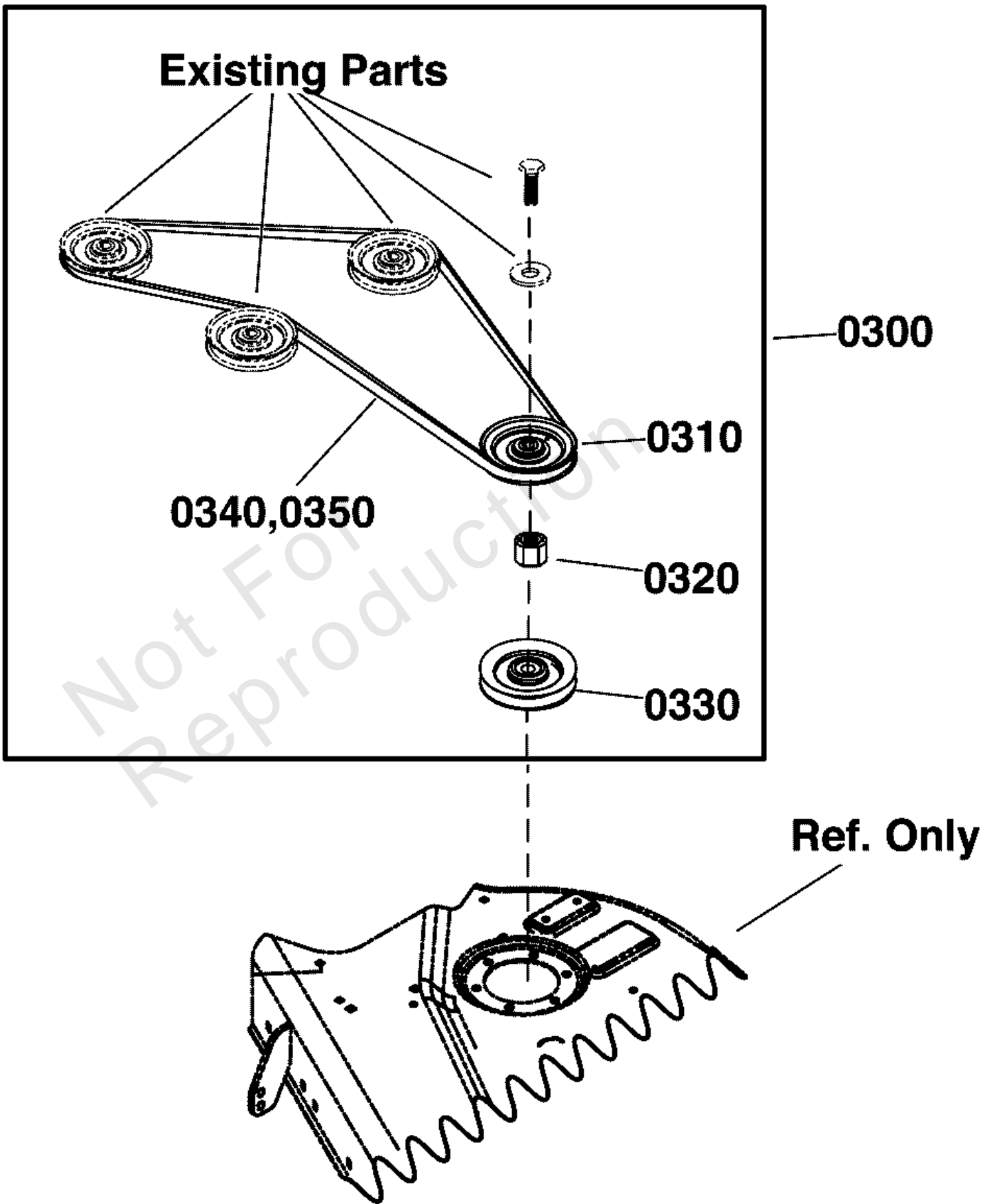
Note: Unless noted otherwise, use the standard torque specifications

Mfg. No: 2691670-01



Turbo Mounting Kit

REF NO	PART NO	QTY	DESCRIPTION
0054	703300	1	PIN, 3/32 X 1.6
0055	1736553YP	1	V-BELT, Cog, 37.90
0056	1736554YP	1	V-BELT, Cog, 39.62
0140	703347	1	NUT, 3/8-16
0160	703408	2	CAPSCREW, 5/16-18
0170	703589	1	CAPSCREW, 3/8-16X2
0180	1721134SM	1	PULLEY, 3" OD
0190	2108717SM	1	SPACER, 0.390ID x 0.625OD x .265LG
0200	1724373SM	1	L BRACKET
0210	1704768SM	1	Z BRACKET
0220	703333	1	NUT, 3/8-16
0230	703878	3	WASHER, FLAT
--	1687416YP	1	KIT, Belt & Pulley, 44" Mower Decks
--	1687417YP	1	KIT, Belt & Pulley, 50" Mower Decks
0300	1688094	1	KIT, Turbo Upfit -(Includes Ref Nos 0310 through 0350)
0310	1713090SM	1	PULLEY, 3 3/4
0320	706363	1	SPACER, HUB
0330	1755470YP	1	PULLEY, Deep Groove, 4 1/4
0340	84004741	1	V-BELT, Cog, 37.90 -(Use on 44" Mower Decks)
0350	84004742	1	V-BELT, Cog, 39.62 -(Use on 50" Mower Decks)



Update Kit

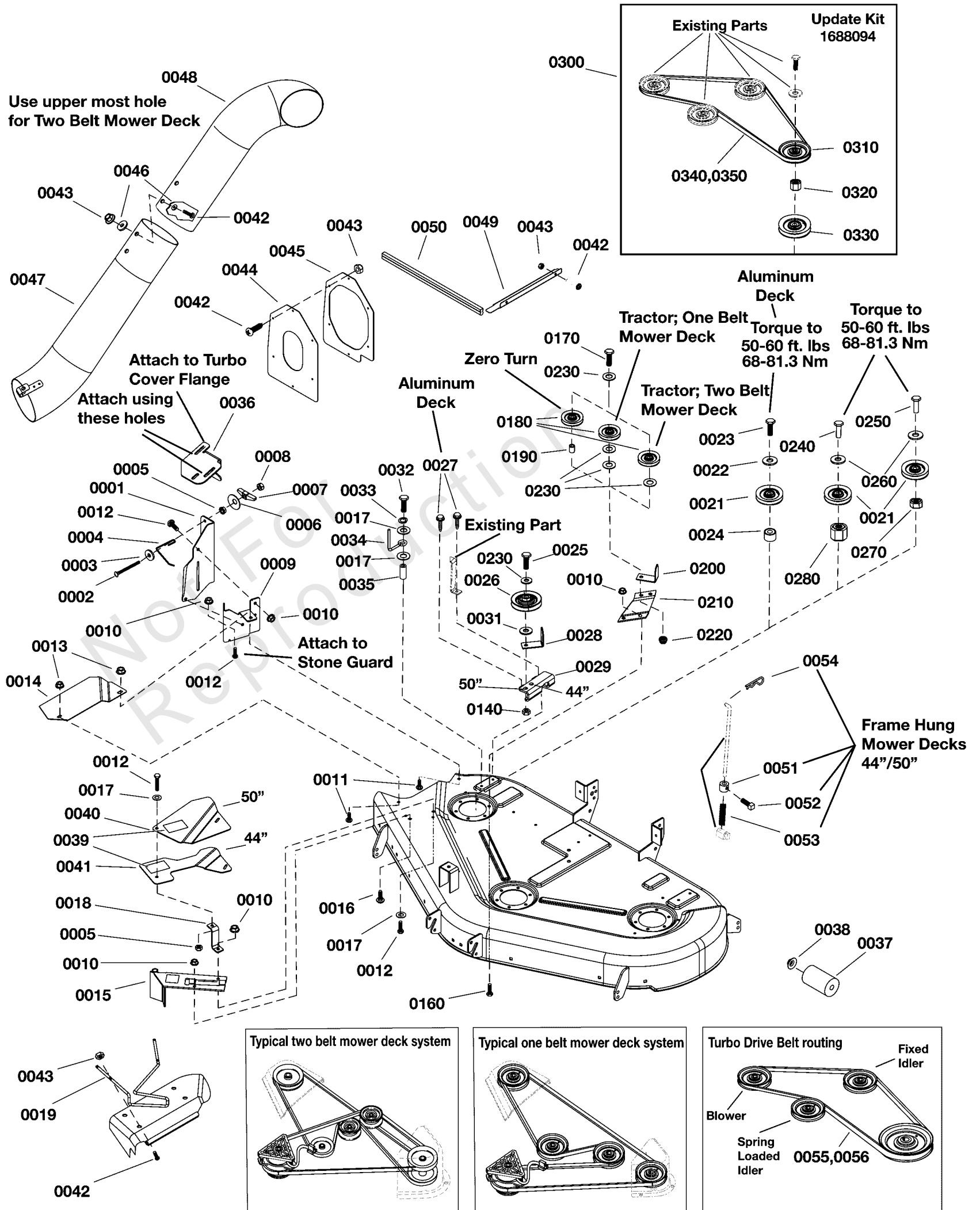
REF NO	PART NO	QTY	DESCRIPTION
0300	1688094	1	KIT, Turbo Upfit
0310	1713090SM	1	PULLEY, 3 3/4
0320	706363	1	SPACER, HUB
0330	1755470YP	1	PULLEY, Deep Groove, 4 1/4
0340	84004741	1	V-BELT, Cog, 37.90 -(Use on 44" Mower Decks)
0350	84004742	1	V-BELT, Cog, 39.62 -(Use on 50" Mower Decks)

Not For Reproduction

Turbo Mounting

Note: Unless noted otherwise, use the standard torque specifications

Mfg. No: 2691670-01



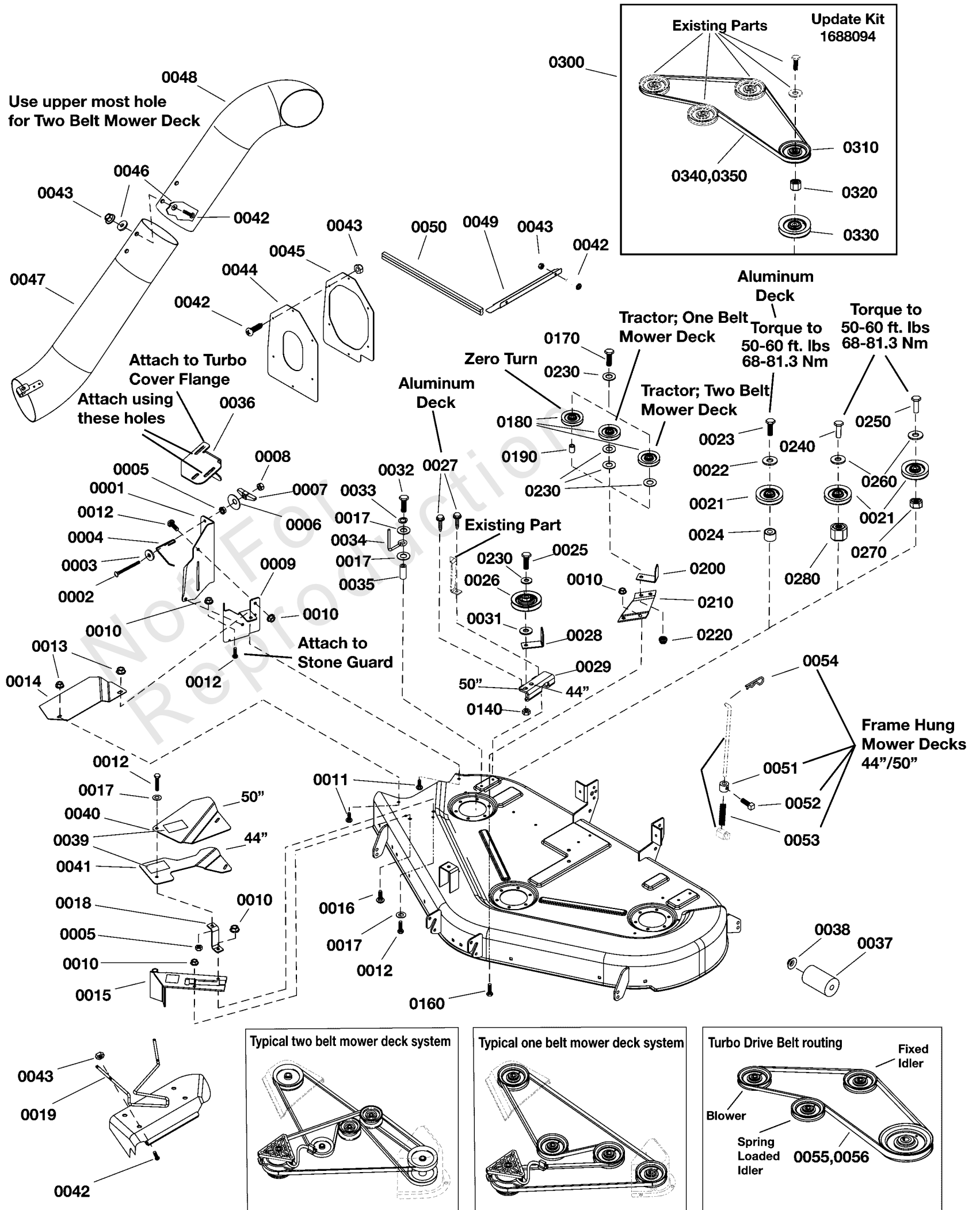
Turbo Mounting

REF NO	PART NO	QTY	DESCRIPTION
0001	1732619ASM	1	BAFFLE, Turbo
0002	1960318SM	1	CAPSCREW, Hex Head, 5/16-18 x 2-1/2 G5 Flat Black
0003	703298	1	WASHER, 5/16
0004	1705064SM	1	SPRING, Latch, .125WIRE 4.3LG Black
0005	1960636SM	2	NUT, Hex, 5/16-18
0006	1709256SM	1	WASHER, Spring, 5/16 x 1 1/4
0007	671294MA	1	WINGNUT, .5/16-18
0008	1501883701MA	1	NUT, Hex Nylock, 5/16-18
0009	1732592ASM	1	BRACKET, Baffle
0010	1931277SM	8	NUT, Hex Flange Whiz Lock Small, 5/16-18
0011	703576	2	BOLT, Carriage, 1/4-20 x 3/4, G5
0012	1923325SM	6	CAPSCREW, Hex Head, 5/16-18 x 7/8, G5
0013	1960685SM	2	NUT, Hex, KEPS, Conical, 1/4-20
0014	1732591ASM	1	COVER, Mower
0015	1722546ASM	1	PIVOT & BRACKETS ASSEMBLY, 38, 44 & 50"
0016	1931333SM	1	BOLT, Carriage, Short Neck, 5/16-18 x 3/4, GR 5
0017	1919326SM	4	WASHER, 5/16
0018	1718304ASM	1	SUPPORT, Belt Cover 10GA 1.0WD 3.0LG
0019	1718295SM	1	ROD
0021	1709941SM	1	PULLEY, 4-5/16" OD
0022	1656916SM	1	WASHER, SPRING 0.475I
0023	1927531SM	1	CAPSCREW-HEX HD 7/16-
0024	706362	1	SPACER, HUB
0025	703589	1	CAPSCREW, 3/8-16X2
0026	1721134SM	1	PULLEY, 3" OD
0027	704146	2	SCREW, HEX, 5/16-18X1
0028	1724373ASM	1	BRACKET, L 12GA 1.24WD 2.24LG 2.28LG
0029	1756261AYP	1	BRACKET, Idler Pulley
0031	704128	1	WASHER
0032	703906	1	CAPSCREW, 5/16-18X1.5
0033	703116	1	LCKWSHR
0034	2172845SM	1	STOP, Belt, .188WIRE 1.750,2.250 Black
0035	1710703SM	1	SPACER, 3/8 x 1/2 x 5/8
0036	1733077ASM	1	LATCH - 38" Turbo
0037	1713540SM	1	ROLLER, 2 1/2 OD
0038	1960520SM	1	NUT, Push, 5/8
0039	1717291SM	2	DECAL, WARNING Sheild & Mower Deflector
0040	1724376ASM	1	COVER, Belt, 50"
0041	1724374ASM	1	COVER, Belt, 44"
0042	1960404SM	13	SCREW, Truss Head, Phillips, #10-24 x 3/4,
0043	MT15X146MA	13	NUT, Nylock, #10-24
0044	1733741SM	1	SEAL, Cover
0045	1732735ASM	1	FLANGE, Seal
0046	1910531SM	2	WASHER, Rivet, 3/16
0047	1719719SM	1	ASSEMBLY, Tube & Clip, Lower
0048	1732800SM	1	ELBOW, Vacuum
0049	1733580ASM	1	PLATE, Deflector
0050	1733579SM	1	EDGING, 21-1/2"
0051	1719777SM	1	COLLAR, Set
0052	1928721SM	1	SETSCREW, Square Head, 5/16-18 x 1/2, G8
0053	1729277SM	1	SPRING, Composite, 3-5/8

Turbo Mounting

Note: Unless noted otherwise, use the standard torque specifications

Mfg. No: 2691670-01



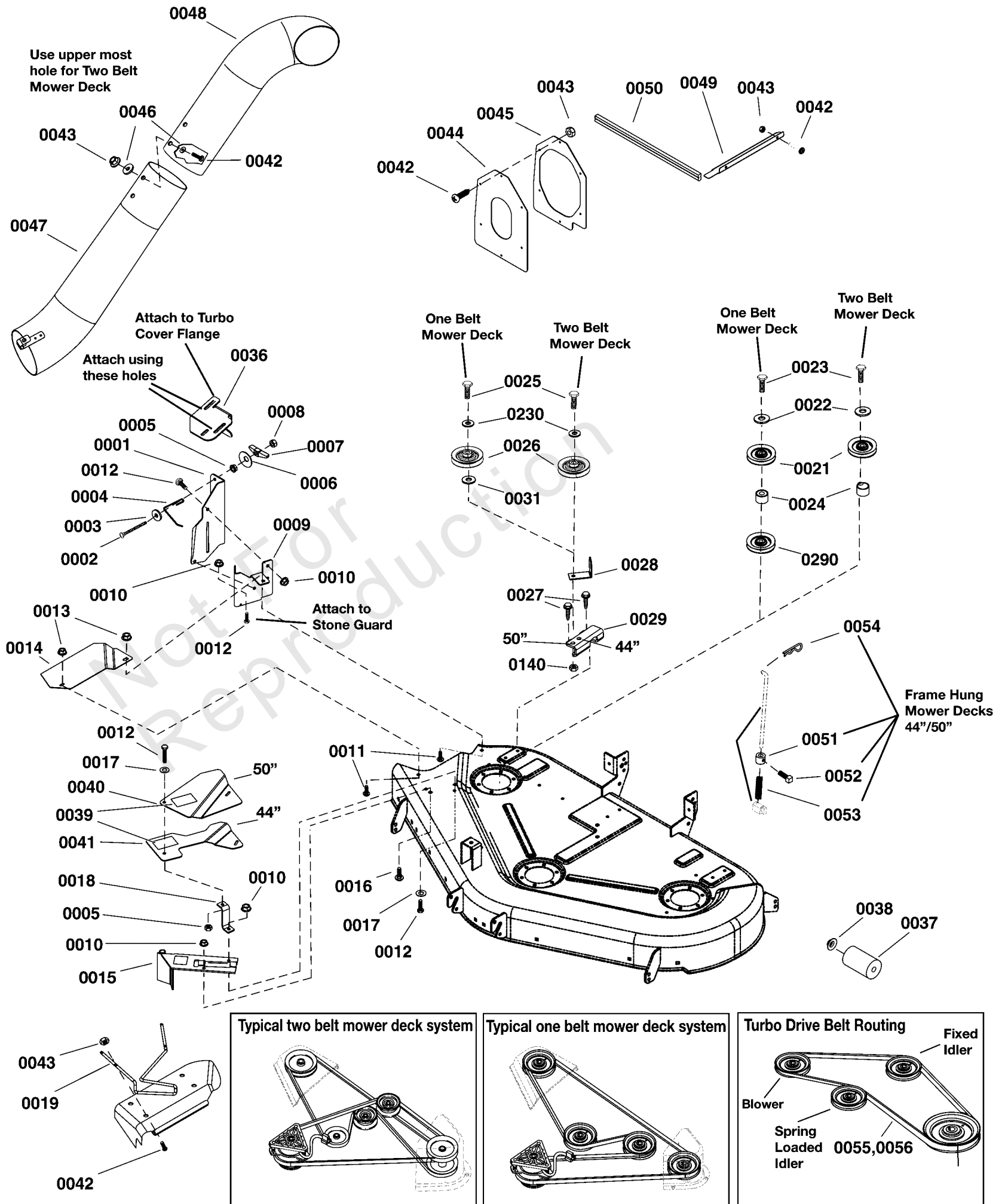
Turbo Mounting

REF NO	PART NO	QTY	DESCRIPTION
0054	703300	1	PIN, 3/32 X 1.6
0055	1736553YP	1	V-BELT, Cog, 37.90
0056	1736554YP	1	V-BELT, Cog, 39.62
0140	703347	1	NUT, 3/8-16
0160	703408	2	CAPSCREW, 5/16-18
0170	703589	1	CAPSCREW, 3/8-16X2
0180	1721134SM	1	PULLEY, 3" OD
0190	2108717SM	1	SPACER, 0.390ID x 0.625OD x .265LG
0200	1724373SM	1	L BRACKET
0210	1704768SM	1	Z BRACKET
0220	703333	1	NUT, 3/8-16
0230	703878	4	WASHER, FLAT
0240	1713523SM	1	NUT, Sleeve, 9/16-18 x 3/4INT x 1.34LG Black
0250	1733078SM	1	NUT, Sleeve, 9/16-18 x 1.21"
0260	1603592SM	1	WASHER, Bellville, 0.88ID x 1.75OD x .08TH Black
0270	1713623SM	1	HUB, .79 ID 1.50 OD .7 3 LG
0280	1713634SM	1	HUB-.79IDX1.5ODX1.28L
--	1687416YP	1	KIT, Belt & Pulley, 44" Mower Decks
--	1687417YP	1	KIT, Belt & Pulley, 50" Mower Decks
0300	1688094	1	KIT, Turbo Upfit -(Includes Ref Nos 0310 through 0350)
0310	1713090SM	1	PULLEY, 3 3/4
0320	706363	1	SPACER, HUB
0330	1755470YP	1	PULLEY, Deep Groove, 4 1/4
0340	84004741	1	V-BELT, Cog, 37.90 -(Use on 44" Mower Decks)
0350	84004742	1	V-BELT, Cog, 39.62 -(Use on 50" Mower Decks)

Turbo Mounting Group - Aluminum Arbors

Note: Unless noted otherwise, use the standard torque specifications

Mfg. No: 2691670-01



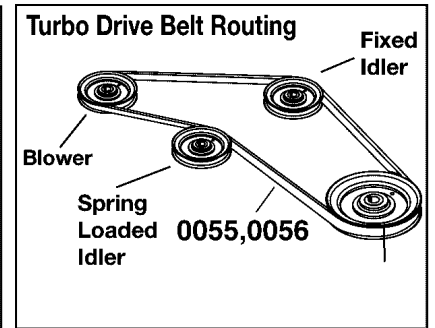
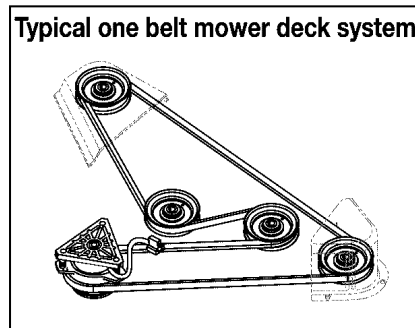
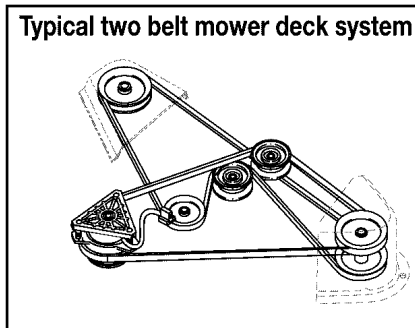
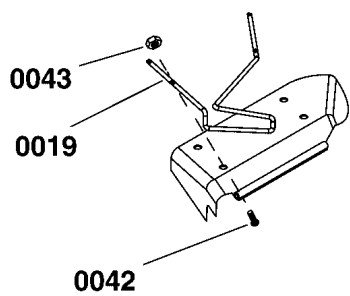
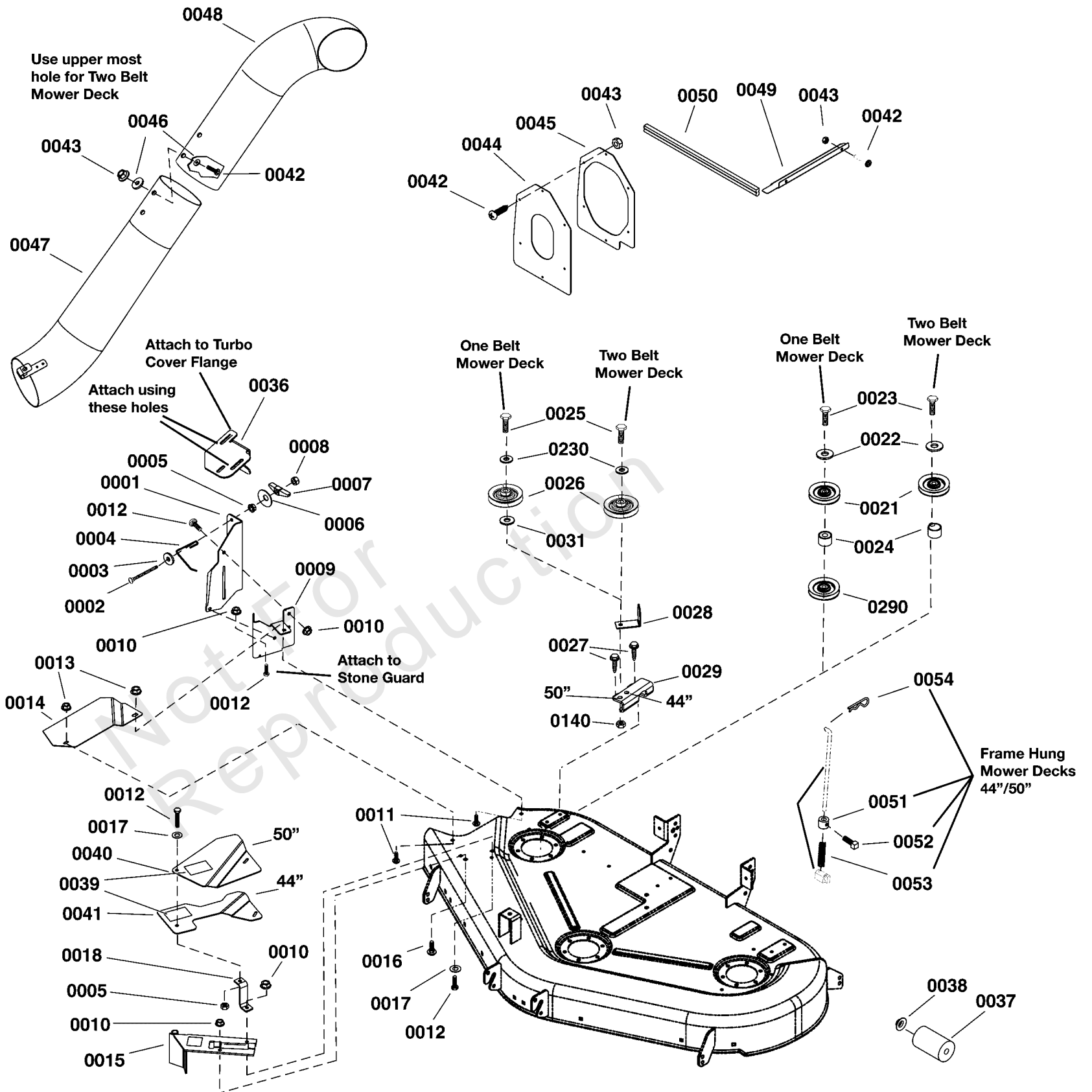
Turbo Mounting Group - Aluminum Arbors

REF NO	PART NO	QTY	DESCRIPTION
0001	1732619ASM	1	BAFFLE, Turbo
0002	1960318SM	1	CAPSCREW, Hex Head, 5/16-18 x 2-1/2 G5 Flat Black
0003	703298	1	WASHER, 5/16
0004	1705064SM	1	SPRING, Latch, .125WIRE 4.3LG Black
0005	1960636SM	2	NUT, Hex, 5/16-18
0006	1709256SM	1	WASHER, Spring, 5/16 x 1 1/4
0007	703065	1	WINGKNOB, 5/16-18
0008	703902	1	NUT, HEX, 5/16-18
0009	1732592ASM	1	BRACKET, Baffle
0010	703409	8	NUT, 5/16-18, GR5
0011	703576	2	BOLT, Carriage, 1/4-20 x 3/4, G5
0012	703408	8	CAPSCREW, 5/16-18
0013	703061	2	NUT, HEX KEPS, 1/4-20
0014	1732591ASM	1	COVER, Mower
0015	1722546ASM	1	PIVOT & BRACKETS ASSEMBLY, 38, 44 & 50"
0016	703185	1	BOLT, Round Head, Short Square Neck
0017	1919326SM	4	WASHER, 5/16
0018	1718304ASM	1	SUPPORT, Belt Cover 10GA 1.0WD 3.0LG
0019	1718295SM	1	ROD
0021	1713090SM	1	PULLEY, 3 3/4
0022	1656916SM	1	WASHER, SPRING 0.475I
0023	1927531SM	1	CAPSCREW-HEX HD 7/16-
0024	706363	1	SPACER, HUB
0025	703589	1	CAPSCREW, 3/8-16X2
0026	1721134SM	1	PULLEY, 3" OD
0027	704146	2	SCREW, HEX, 5/16-18X1
0028	1724373ASM	1	BRACKET, L 12GA 1.24WD 2.24LG 2.28LG
0029	1756261AYP	1	BRACKET, Idler Pulley
0031	704128	1	WASHER
0036	1733077ASM	1	LATCH - 38" Turbo
0037	1713540SM	1	ROLLER, 2 1/2 OD
0038	771009	1	PUSHNUT, 5/8
0039	5103184YP	2	DECAL, WARNING, ENG
0040	1724376ASM	1	COVER, Belt, 50"
0041	1724374ASM	1	COVER, Belt, 44"
0042	1960404SM	13	SCREW, Truss Head, Phillips, #10-24 x 3/4,
0043	703412	13	NUT, NYLOCK, 10-24
0044	1733741SM	1	SEAL, Cover
0045	1732735ASM	1	FLANGE, Seal
0046	1910531SM	2	WASHER, Rivet, 3/16
0047	1719719SM	1	ASSEMBLY, Tube & Clip, Lower
0048	1732800SM	1	ELBOW, Vacuum
0049	1733580ASM	1	PLATE, Deflector
0050	1733579SM	1	EDGING, 21-1/2"
0051	1719777SM	1	COLLAR, Set
0052	1928721SM	1	SETSCREW, Square Head, 5/16-18 x 1/2, G8
0053	1729277SM	1	SPRING, Composite, 3-5/8
0054	703300	1	PIN, 3/32 X 1.6
0055	84004741	1	V-BELT, Cog, 37.90 -(Use on 44" Mowers)
0056	84004742	1	V-BELT, Cog, 39.62 -(Use on 50" Mowers)

Turbo Mounting Group - Aluminum Arbors

Note: Unless noted otherwise, use the standard torque specifications

Mfg. No: 2691670-01



Turbo Mounting Group - Aluminum Arbors

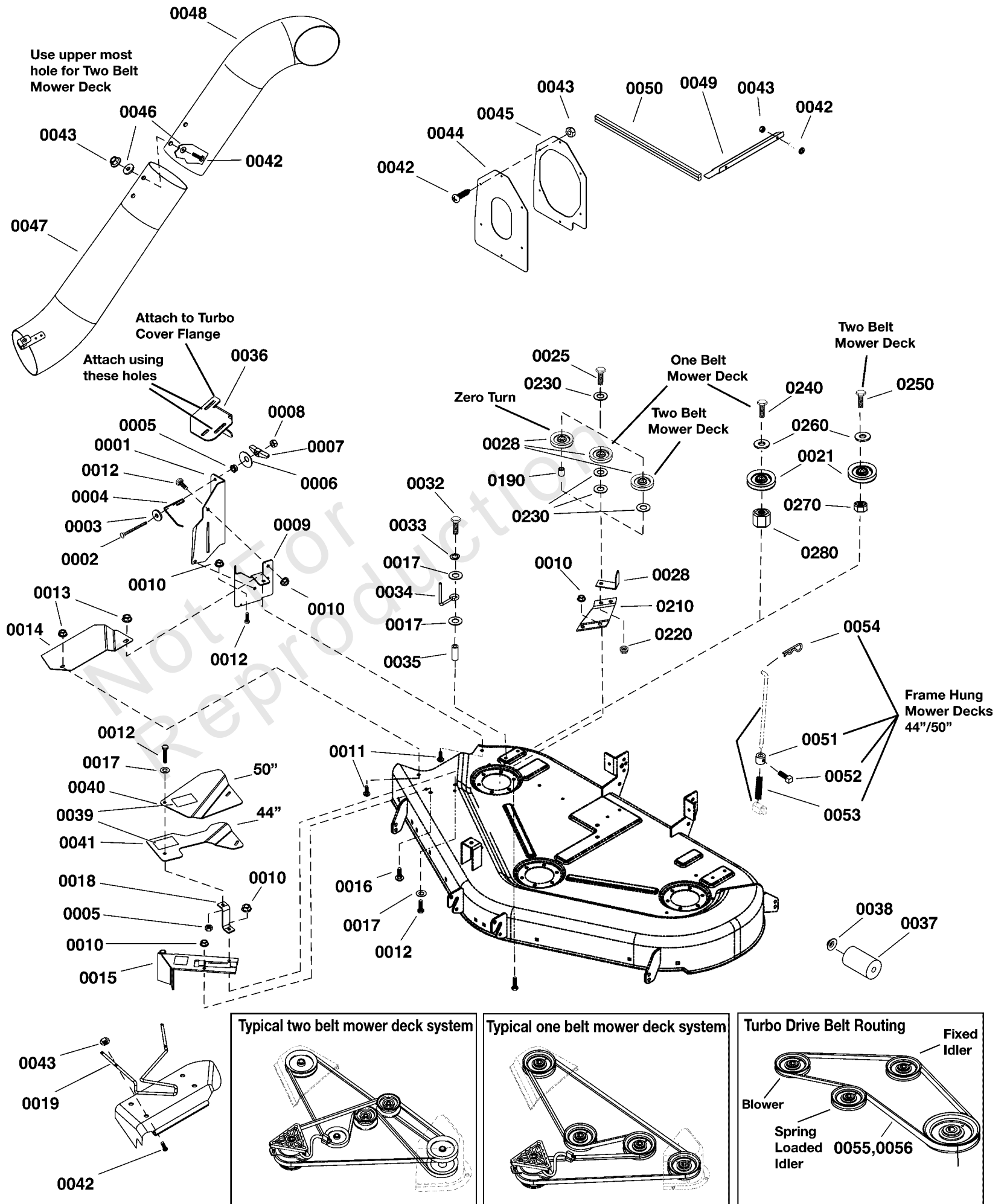
REF NO	PART NO	QTY	DESCRIPTION
0140	703347	1	NUT, 3/8-16
0230	703878	3	WASHER, FLAT
0290	1755470YP	1	PULLEY, Deep Groove, 4 1/4

Not For Reproduction

Turbo Mounting Group - Steel Arbors

Note: Unless noted otherwise, use the standard torque specifications

Mfg. No: 2691670-01



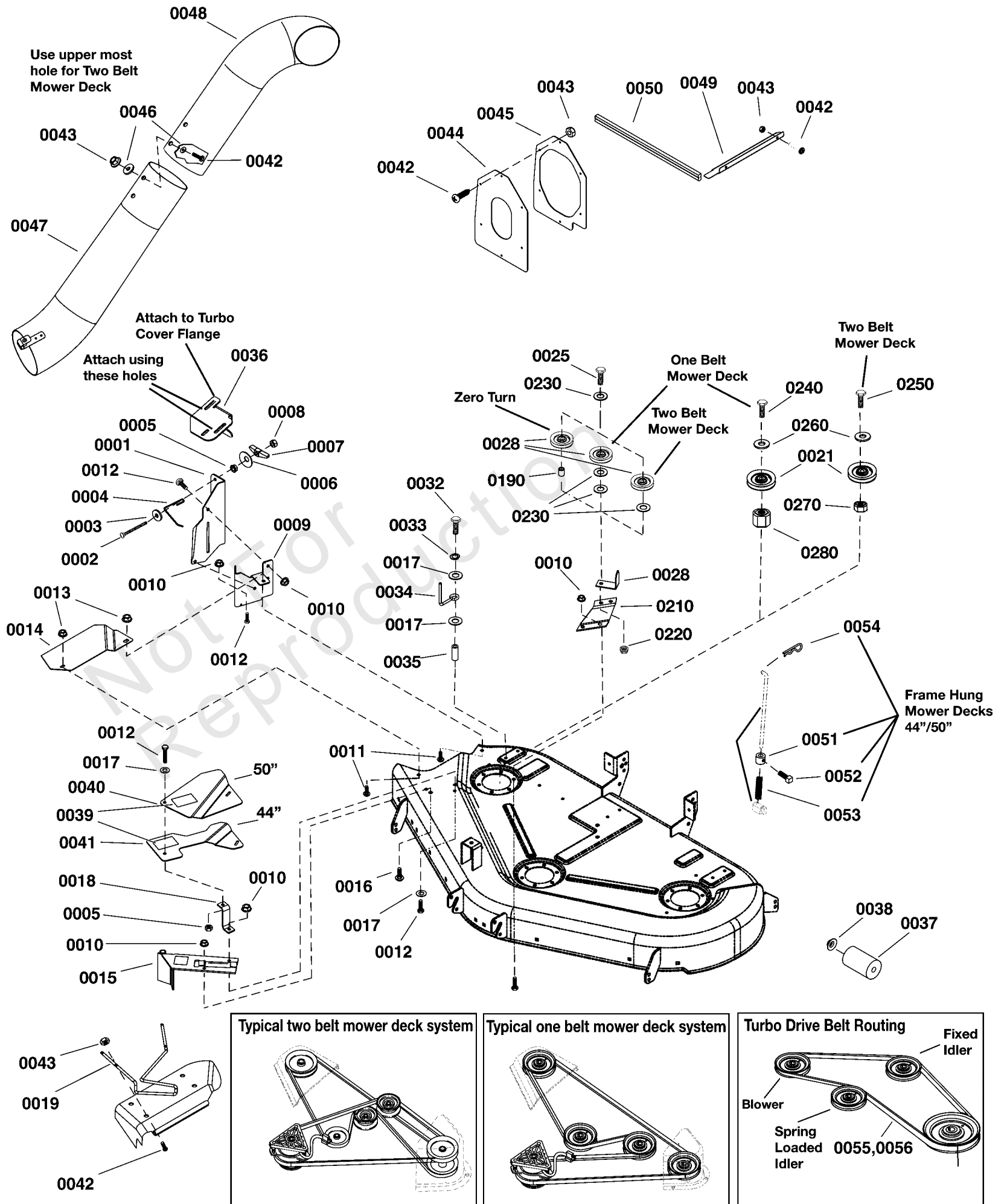
Turbo Mounting Group - Steel Arbors

REF NO	PART NO	QTY	DESCRIPTION
0001	1732619ASM	1	BAFFLE, Turbo
0002	1960318SM	1	CAPSCREW, Hex Head, 5/16-18 x 2-1/2 G5 Flat Black
0003	703298	1	WASHER, 5/16
0004	1705064SM	1	SPRING, Latch, .125WIRE 4.3LG Black
0005	1960636SM	2	NUT, Hex, 5/16-18
0006	1709256SM	1	WASHER, Spring, 5/16 x 1 1/4
0007	703065	1	WINGKNOB, 5/16-18
0008	703902	1	NUT, HEX, 5/16-18
0009	1732592ASM	1	BRACKET, Baffle
0010	703409	8	NUT, 5/16-18, GR5
0011	703576	2	BOLT, Carriage, 1/4-20 x 3/4, G5
0012	703408	8	CAPSCREW, 5/16-18
0013	703061	2	NUT, HEX KEPS, 1/4-20
0014	1732591ASM	1	COVER, Mower
0015	1722546ASM	1	PIVOT & BRACKETS ASSEMBLY, 38, 44 & 50"
0016	703185	1	BOLT, Round Head, Short Square Neck
0017	1919326SM	4	WASHER, 5/16
0018	1718304ASM	1	SUPPORT, Belt Cover 10GA 1.0WD 3.0LG
0019	1718295SM	1	ROD
0021	1713090SM	1	PULLEY, 3 3/4
0025	703589	1	CAPSCREW, 3/8-16X2
0028	1724373ASM	1	BRACKET, L 12GA 1.24WD 2.24LG 2.28LG
0032	703906	1	CAPSCREW, 5/16-18X1.5
0033	703116	1	LCKWSHR
0034	2172845SM	1	STOP, Belt, .188WIRE 1.750,2.250 Black
0035	1710703SM	1	SPACER, 3/8 x 1/2 x 5/8
0036	1733077ASM	1	LATCH - 38" Turbo
0037	1713540SM	1	ROLLER, 2 1/2 OD
0038	771009	1	PUSHNUT, 5/8
0039	5103184YP	2	DECAL, WARNING, ENG
0040	1724376ASM	1	COVER, Belt, 50"
0041	1724374ASM	1	COVER, Belt, 44"
0042	1960404SM	13	SCREW, Truss Head, Phillips, #10-24 x 3/4,
0043	703412	13	NUT, NYLOCK, 10-24
0044	1733741SM	1	SEAL, Cover
0045	1732735ASM	1	FLANGE, Seal
0046	1910531SM	2	WASHER, Rivet, 3/16
0047	1719719SM	1	ASSEMBLY, Tube & Clip, Lower
0048	1732800SM	1	ELBOW, Vacuum
0049	1733580ASM	1	PLATE, Deflector
0050	1733579SM	1	EDGING, 21-1/2"
0051	1719777SM	1	COLLAR, Set
0052	1928721SM	1	SETSCREW, Square Head, 5/16-18 x 1/2, G8
0053	1729277SM	1	SPRING, Composite, 3-5/8
0054	703300	1	PIN, 3/32 X 1.6
0055	84004741	1	V-BELT, Cog, 37.90
0056	84004742	1	V-BELT, Cog, 39.62
0190	2108717SM	1	SPACER, 0.390ID x 0.625OD x .265LG
0210	1704768ASM	1	BRACKET, Z .164TH 5.88WD 3.21LG
0220	703333	1	NUT, 3/8-16
0230	703878	3	WASHER, FLAT

Turbo Mounting Group - Steel Arbors

Note: Unless noted otherwise, use the standard torque specifications

Mfg. No: 2691670-01



Turbo Mounting Group - Steel Arbors

REF NO	PART NO	QTY	DESCRIPTION
0240	1713523SM	1	NUT, Sleeve, 9/16-18 x 3/4INT x 1.34LG Black
0250	1733078SM	1	NUT, Sleeve, 9/16-18 x 1.21"
0260	1603592SM	1	WASHER, Bellville, 0.88ID x 1.75OD x .08TH Black
0270	1713623SM	1	HUB, .79 ID 1.50 OD .7 3 LG
0280	1713634SM	1	HUB-.79IDX1.5ODX1.28L

Not For Reproduction

Hardware Identification & Torque Specifications

Torque Specification Chart								
FOR STANDARD METRIC MACHINE HARDWARE (Tolerance ± 20%)								
Property Class	5.6		8.8		10.9		12.9	
	Class 5.6		Class 8.8		Class 10.9		Class 12.9	
Size Of Hardware	in/lbs	Nm.	in/lbs	Nm.	in/lbs	Nm.	in/lbs	Nm.
	ft/lbs		ft/lbs		ft/lbs		ft/lbs	
M3	5.88	.56	13.44	1.28	19.2	1.80	22.92	2.15
M4	13.44	1.28	30.72	2.90	43.44	4.10	52.56	4.95
M5	26.4	2.50	60.96	5.75	5.97	8.10	7.15	9.7
M6	44.64	4.3	7.3	9.9	10.3	14	12.1	16.5
M7	5.2	7.1	12.1	16.5	16.9	23	19.9	27
M8	7.7	10.5	17.7	24	25	34	29	40
M10	15	21	35	48	50	67	59	81
M12	26	36	61	83	86.2	117	103	140
M14	42	58	101	132	136	185	162	220
M16	64	88	147	200	210	285	250	340
M18	89	121	202	275	287	390	346	470
M20	126	171	290	390	405	550	486	660
M22	169	230	390	530	559	745	656	890
M24	217	295	497	375	708	960	840	1140
M27	320	435	733	995	1032	1400	1239	1680
M30	435	590	995	1350	1401	1900	1681	2280
M33	590	800	1349	1830	1902	2580	2278	3090
M36	759	1030	1740	2360	2441	3310	2935	3980
M39	988	1340	2249	3050	3163	4290	3798	5150

Torque Specification Chart						
FOR STANDARD MACHINE HARDWARE (Tolerance ± 20%)						
Hardware Grade	No Marks		SAE Grade 5		SAE Grade 8	
	SAE Grade 2		SAE Grade 5		SAE Grade 8	
Size Of Hardware	in/lbs	Nm.	in/lbs	Nm.	in/lbs	Nm.
	ft/lbs		ft/lbs		ft/lbs	
8-32	19	2.1	30	3.4	41	4.6
8-36	20	2.3	31	3.5	43	4.9
10-24	27	3.1	43	4.9	60	6.8
10-32	31	3.5	49	5.5	68	7.7
1/4-20	66	7.6	8	10.9	12	16.3
1/4-28	76	8.6	10	13.6	14	19.0
5/16-18	11	15.0	17	23.1	25	34.0
5/16-24	12	16.3	19	25.8	29	34.0
3/8-16	20	27.2	30	40.8	45	61.2
3/8-24	23	31.3	35	47.6	50	68.0
7/16-14	30	40.8	50	68.0	70	95.2
7/16-20	35	47.6	55	74.8	80	108.8
1/2-13	50	68.0	75	102.0	110	149.6
1/2-20	55	74.8	90	122.4	120	163.2
9/16-12	65	88.4	110	149.6	150	204.0
9/16-18	75	102.0	120	163.2	170	231.2
5/8-11	90	122.4	150	204.0	220	299.2
5/8-18	100	136	180	244.8	240	326.4
3/4-10	160	217.6	260	353.6	386	525.0
3/4-16	180	244.8	300	408.0	420	571.2
7/8-9	140	190.4	400	544.0	600	816.0
7/8-14	155	210.8	440	598.4	660	897.6
1-8	220	299.2	580	788.8	900	1,244.0
1-12	240	326.4	640	870.4	1,000	1,360.0

The guides and ruler furnished below are designed to help you select the appropriate hardware.



Nut, M8

Thread Diameter (mm)

Inside Diameter (in) Threads per inch

Nut, 1/2-16



Screw, M8- 1.25 x 25

Thread Diameter (mm) Distance between threads (mm) Body Length (mm)

Body Diameter Threads per inch Body Length (in)

Screw, 1/2- 16 x 2



Standard Hardware Sizing

When a washer or nut is identified as 1/2" (M8), this is the *Nominal size*, meaning the *inside diameter* is 1/2 inch (8mm metric thread diameter); if a second number is present it represents the *threads per inch* (distance between threads).

When bolt or capscrew is identified as 1/2 - 16 x 2" (M8 - 1.25 x 50), this means the *Nominal size*, or body diameter is 1/2 inch (8mm metric thread diameter), the second number, 16, represents the *threads per inch*, (*distance between threads*). The final number is the body length of the bolt or screw, 2 inches (50mm).

NOTES

- These torque values are to be used for all hardware excluding: locknuts, self-tapping screws, thread forming screws, sheet metal screws and socket head setscrews.
- Recommended seating torque values for locknuts:
 - for prevailing torque locknuts - use 65% of grade 5 torques.
 - for flange whizlock nuts and screws - use 135% of grade 5 torques.
- Unless otherwise noted on assembly drawings, all torque values must meet this specification.

Common Hardware Types

Hex Head Capscrew



Washer



Carriage Bolt



Hex Nut

Wrench & Fastener Size Guide

1/4" Bolt or Nut Wrench—7/16"	5/16" Bolt or Nut Wrench—1/2"	3/8" Bolt or Nut Wrench—9/16"	7/16" Bolt or Nut Wrench (Bolt)—5/8" Wrench (Nut)—11/16"	1/2" Bolt or Nut Wrench—3/4"
M6 Bolt or Nut Wrench—10mm	M8 Bolt or Nut Wrench—13mm	M10 Bolt or Nut Wrench—17mm	M12 Bolt or Nut Wrench—19mm	M14 Bolt or Nut Wrench—22mm

