

# WALKER

## Illustrated Parts Manual

Side Discharge Deck, Rear Discharge Deck, and Carrier Frame Assemblies

DS36-2

DS42-2

DS48-2

DS48-3

DS52-3

DR52-3

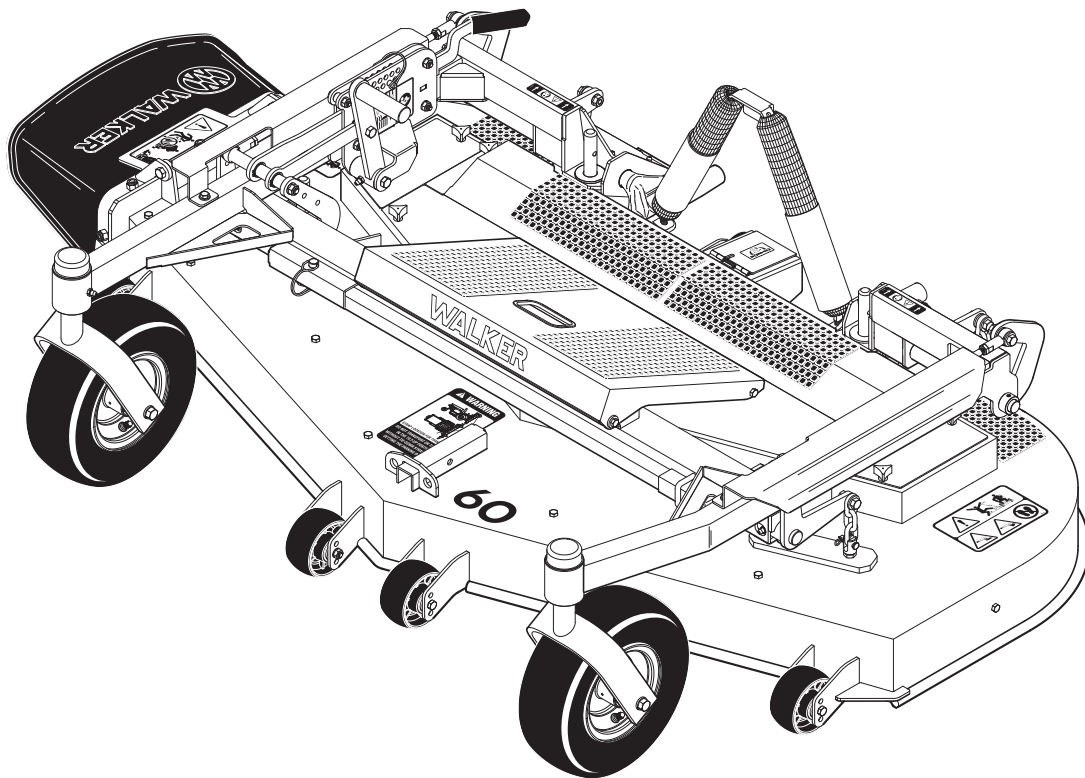
DS56-2

DS60-3

DS61-3

DR64-3

DS74-2



Effective Date: 12.15.23  
P/N 5000-79

# KEY TO ABBREVIATIONS USED IN THIS MANUAL

<i>Abbreviation</i>	<i>What it Represents</i>
° (Dimension)	Degrees (Angle)
" (Dimension)	inches
(-)	Negative (Polarity)
(+)	Positive (Polarity)
-1 (as deck style designation)	Standard (Aluminum) Gear Drive Deck
-2 (as deck style designation)	Heavy Duty (Cast Iron) Gear Drive Deck
-3 (as deck style designation)	Belt Drive Deck
AT	All-Terrain
CCW	Counter-clockwise
CW	Clockwise
D	Diameter
DC	Deck, Collection (number refers to size in inches)
DM	Deck, Mulching (number refers to size in inches)
DR	Deck, Rear Discharge (number refers to size in inches)
DS	Deck, Side Discharge (number refers to size in inches)
DU	Garlock (Bearing)
ESNA (Fastener)	Nylon Insert Locknut
FSC	Forward Speed Control
GA	Gauge
gal.	gallon
GHS	Grass Handling System
GR (Fastener)	Grade
HD	Heavy Duty
HP	Horse Power
ID	Identification or Inside Diameter
L	Length
LH	Left Hand (orientated with operator on seat)
LP	Low Profile
mm (Dimension)	millimeters
MS (Fastener)	Machine Screw
NS (as part number)	Item is not sold by Walker Manufacturing
OD	Outside Diameter
oz.	ounce
PFH (Fastener)	Phillips Flat Head
P/N	Part Number
PPH (Fastener)	Phillips Pan Head
PTH (Fastener)	Phillips Truss Head
PTO	Power Take-Off
QKS	Quick Slide
qt.	quart
RH	Right Hand (orientated with operator on seat)
SAE (Fastener)	Society of Automotive Engineers
SBH (Fastener)	Socket Button Head (Bolt)
SD	Side Discharge
SFH (Fastener)	Slotted Flat Head
SHC (Fastener)	Socket Head Cap
SHL (Fastener)	Shoulder (Bolt)
SM (Fastener)	Sheet Metal (Screw)
S/N	Serial Number
SQH (Fastener)	Square Head
SS (Fastener)	Stainless Steel
ST (Fastener)	Self-Tapping (Screw)
V	Volts

**NOTE:** In some instances, combinations of abbreviations may be used (e.g. PPHMS - Phillips Pan Head Machine Screw).

# ILLUSTRATED PARTS LIST

<i>Section of Deck Covered</i>	<i>Page</i>	<i>Section of Deck Covered</i>	<i>Page</i>
<b>Decals &amp; Paint</b>		<b>Maintenance</b>	
DS36-2, DS42-2, DS48-2, DS48-3 & DS56-2 Deck Decals .....	2	Optional Break-Away Blades .....	62
DS52-3 & DS60-3 Deck Decals .....	4	Blade Usage Chart.....	63
DR52-3, DS61-3 & DR64-3 Deck Decals .....	6	Lubrication Points .....	64
DS74-2 Deck Decals / Touch-Up Paint.....	8	H24d, H27i & H38i Deck Arm Adapter Kit.....	69
 <b>Deck and Carrier Frame Assemblies</b>		Carrier Frame Deck Fork Installation .....	70
DS36-2 Complete Carrier Frame Assembly .....	10	Maintenance And Service Record Sheet.....	71
DS36-2 Deck Assembly .....	12	Deck / Tractor Compatibility Chart.....	72
DS42-2 Complete Carrier Frame Assembly .....	14	 <b>Warranty</b>	
DS42-2 Deck Assembly .....	16	Limited Warranty.....	73
DS48-2 Complete Carrier Frame Assembly .....	18		
DS48-2 Deck Assembly .....	20		
DS48-3 Complete Carrier Frame Assembly .....	22		
DS48-3 Deck Assembly .....	24		
DS52-3 & DS60-3 Carrier Frame Footrest Components .....	26		
DS52-3 Complete Carrier Frame Assembly .....	28		
DS52-3 Deck Assembly .....	30		
DS52-3 Mulching Kit .....	32		
DR52-3, DS61-3 & DR64-3 Carrier Frame Footrest Components .....	34		
DR52-3 Complete Carrier Frame Assembly .....	36		
DR52-3 Deck Assembly .....	38		
DS56-2 Complete Carrier Frame Assembly .....	40		
DS56-2 Deck Assembly .....	42		
DS60-3 Complete Carrier Frame Assembly .....	44		
DS60-3 Deck Assembly .....	46		
DS61-3 Complete Carrier Frame Assembly .....	48		
DS61-3 Deck Assembly .....	50		
DS61-3 Mulching Kit .....	52		
DR64-3 Complete Carrier Frame Assembly .....	54		
DR64-3 Deck Assembly .....	56		
DS74-2 Complete Carrier Frame Assembly .....	58		
DS74-2 Deck Assembly .....	60		

## DS36-2, DS42-2, DS48-2, DS48-3 & DS56-2 DECK DECALS

ITEM NO.	PART NO.	DESCRIPTION	LOCATION	NO. REQ'D
<b>DS36-2, DS42-2, DS48-2 &amp; DS56-2 Deck Decals</b>				
1	8600-15	Caution, Tilt-Up Deck Lock	Carrier Frame	2
2	6875	PTO Alignment Arrow	Universal Joint Shaft Assembly	1
3	5846-1	Grease Fitting	PTO Shaft Guard	1
4	8600-39	Cutting Height Adjustment	Gearbox Cover	1
5	6789	Decal (56")	Carrier Frame	1
6	8600-28	Danger, Rotating Blades	Deck Housing (one on each end)	2
7	8821-14	Decal (36")	Carrier Frame	1
	8821-15	Decal (42")	Carrier Frame	1
	8821-16	Decal (48")	Carrier Frame	1
8	5809-2	Decal, Walker	Carrier Frame	1
9	8600-14	Danger, Tilt-Up	Carrier Frame, Front	1
10	8653-1	Transport Warning, DS56-2	Deck Housing	1
11	8600-9	Blade Mounting Torque	Gearbox Cover	1
12	5848-3	Danger, Side Discharge Shield	Side Discharge Shield	1

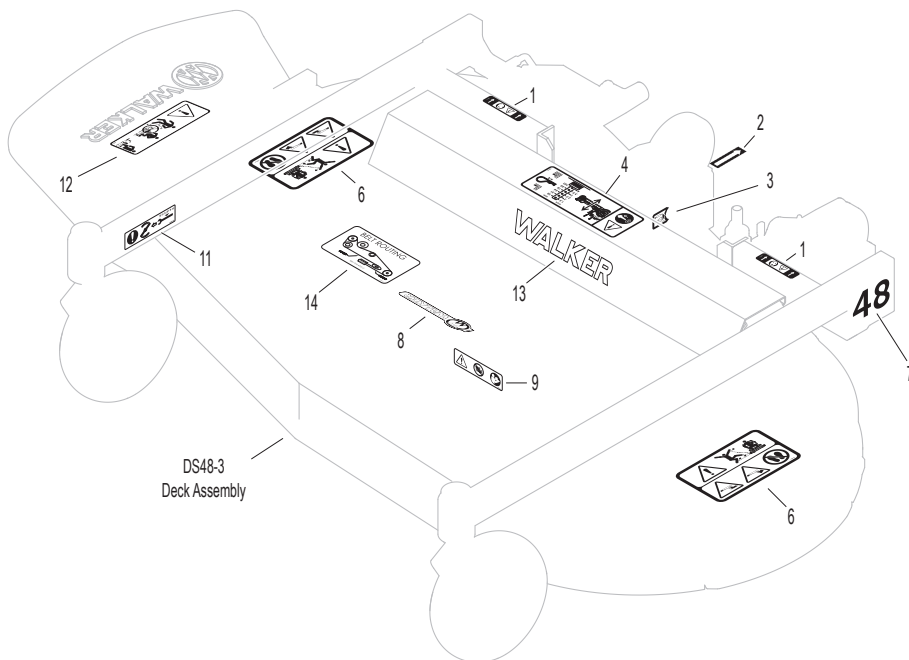
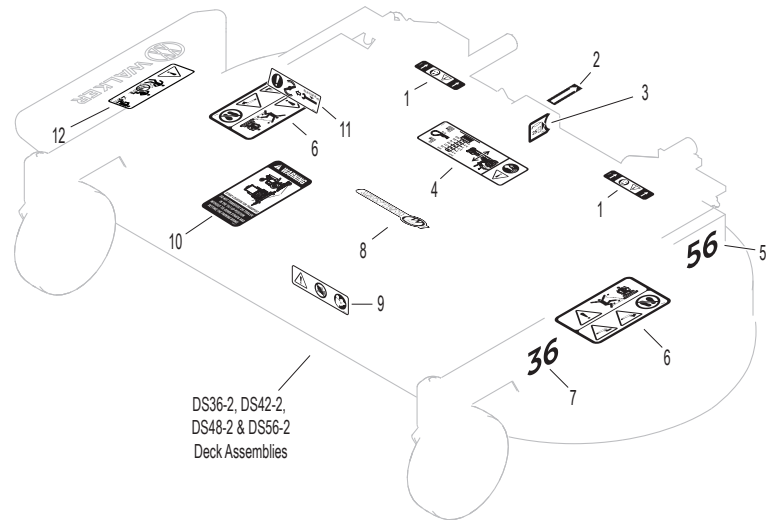
### DS48-3 Deck Decals

1	8600-15	Caution, Tilt-Up Deck Lock	Carrier Frame	2
2	6875	PTO Alignment Arrow	Universal Joint Shaft Assembly	1
3	5846-1	Grease Fitting	PTO Shaft Guard	1
4	8600-39	Cutting Height Adjustment	Gearbox Cover	1
6	8600-28	Danger, Rotating Blades	Deck Housing (one on each end)	2
7	8821-16	Decal (48")	Carrier Frame	1
8	5809-2	Decal, Walker	Carrier Frame	1
9	8600-14	Danger, Tilt-Up	Carrier Frame, Front	1
11	8600-9	Blade Mounting Torque	Carrier Frame	1
12	5848-3	Danger, Side Discharge Shield	Side Discharge Shield	1
13	5800-7	Decal, Walker 8"	Belt Cover	1
14	2749-9	Belt Routing	Underneath Deck Cover Plate	1

**NOTE:** All parts requiring decals are shipped with decals applied.



# DS36-2, DS42-2, DS48-2, DS48-3 & DS56-2 DECK DECALS



## DS52-3 & DS60-3 DECK DECALS

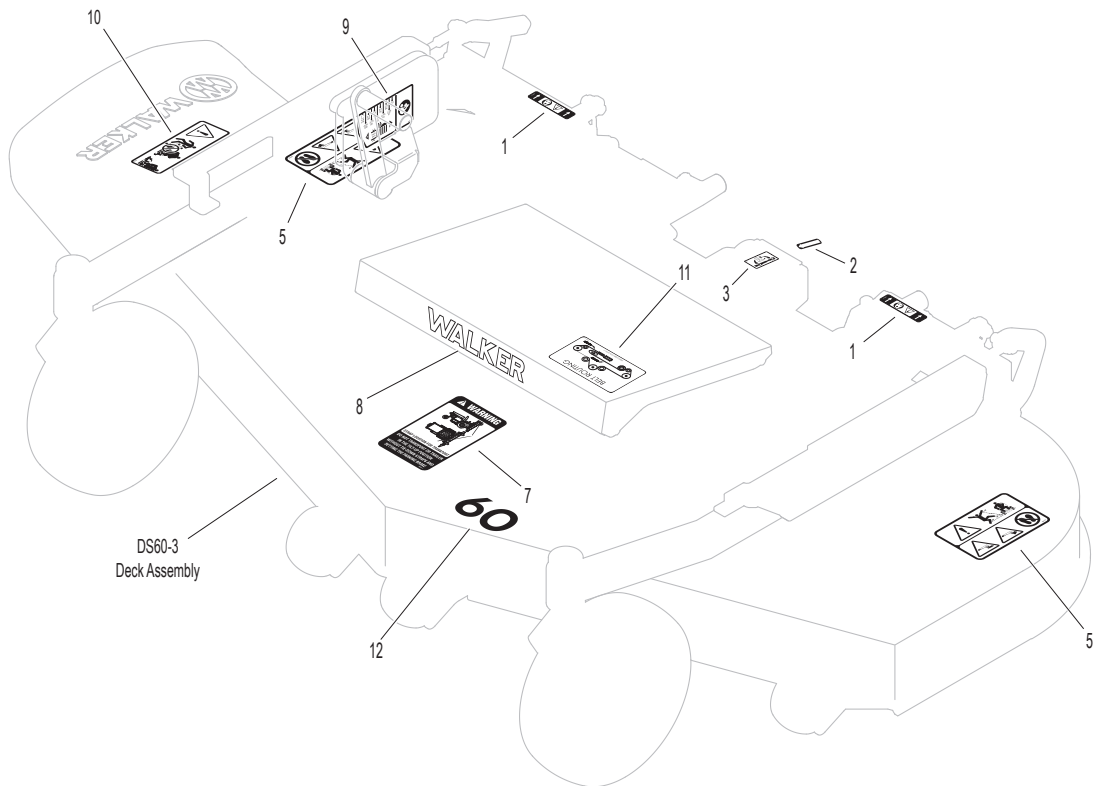
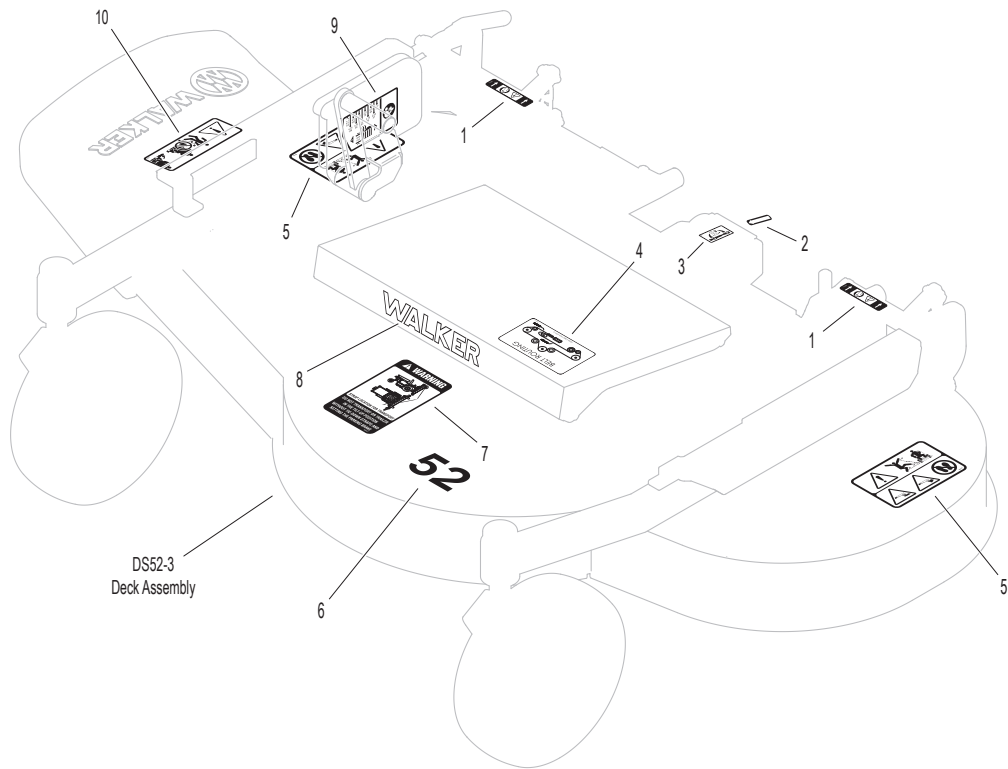
ITEM NO.	PART NO.	DESCRIPTION	LOCATION	NO. REQ'D
<b>DS52-3 Deck Decals</b>				
1	8600-15	Caution, Tilt-Up Deck Lock	Carrier Frame	2
2	6875	PTO Alignment Arrow	Universal Joint Tube Assembly	1
3	8746-2	Universal Joint Lube	PTO Guard Cover	1
4	8734-1	Decal, Drive Belt Routing	Deck Housing	1
5	8600-28	Danger, Rotating Blades	Deck Housing (one on each end)	2
6	8732	Decal (52")	Deck Housing	1
7	8653-1	Transport Warning	Deck Housing	1
8	5800-7	Decal, Walker 8"	Footrest, Front	1
9	2748-3	Cutting Height Adjustment	Carrier Frame	1
10	5848-3	Danger, Side Discharge Shield	Side Discharge Shield	1

### DS60-3 Deck Decals

1	8600-15	Caution, Tilt-Up Deck Lock	Carrier Frame	2
2	6875	PTO Alignment Arrow	Universal Joint Tube Assembly	1
3	8746-2	Universal Joint Lube	PTO Guard Cover	1
5	8600-28	Danger, Rotating Blades	Deck Housing (one on each end)	2
7	8653-1	Transport Warning	Deck Housing	1
8	5800-7	Decal, Walker 8"	Footrest, Front	1
9	2748-3	Cutting Height Adjustment	Carrier Frame	1
10	5848-3	Danger, Side Discharge Shield	Side Discharge Shield	1
11	2749-11	Decal, Drive Belt Routing	Deck Housing	1
12	2732	Decal (60")	Deck Housing	1

**NOTE:** All parts requiring decals are shipped with decals applied.

# DS52-3 & DS60-3 DECK DECALS



## DR52-3, DS61-3 & DR64-3 DECK DECALS

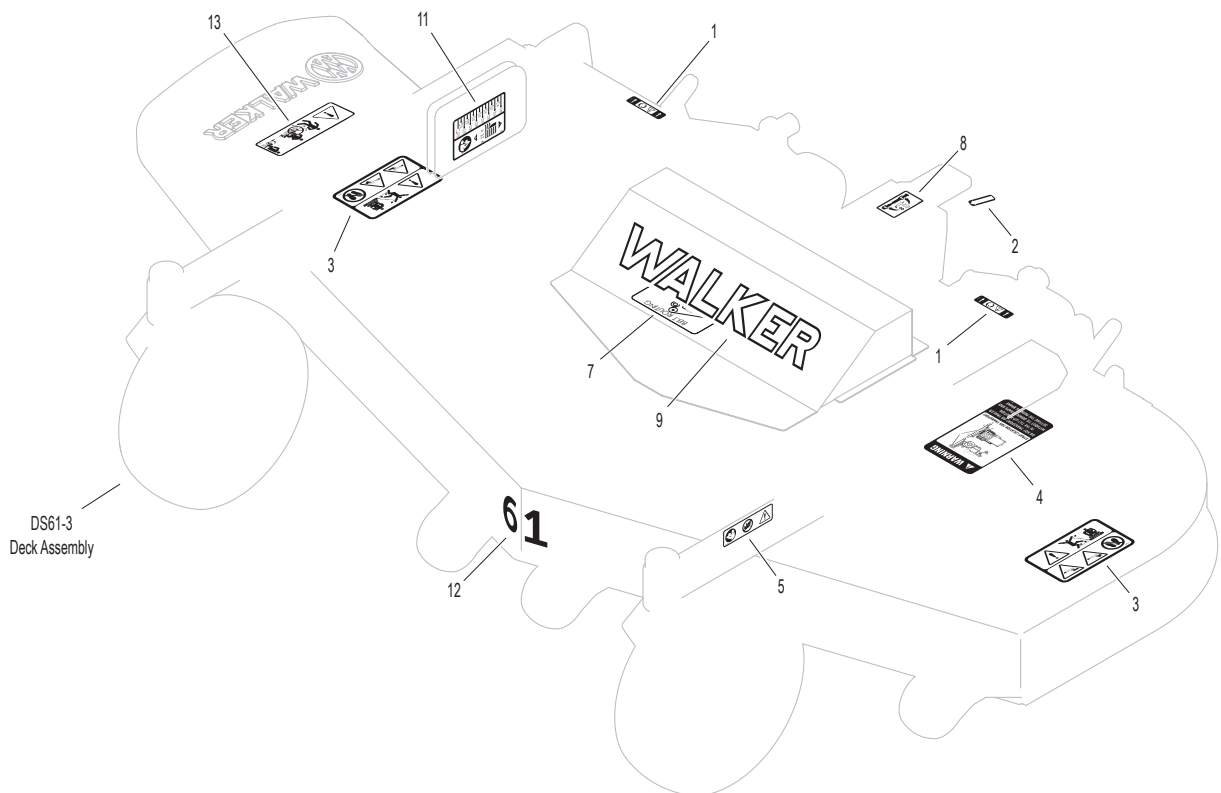
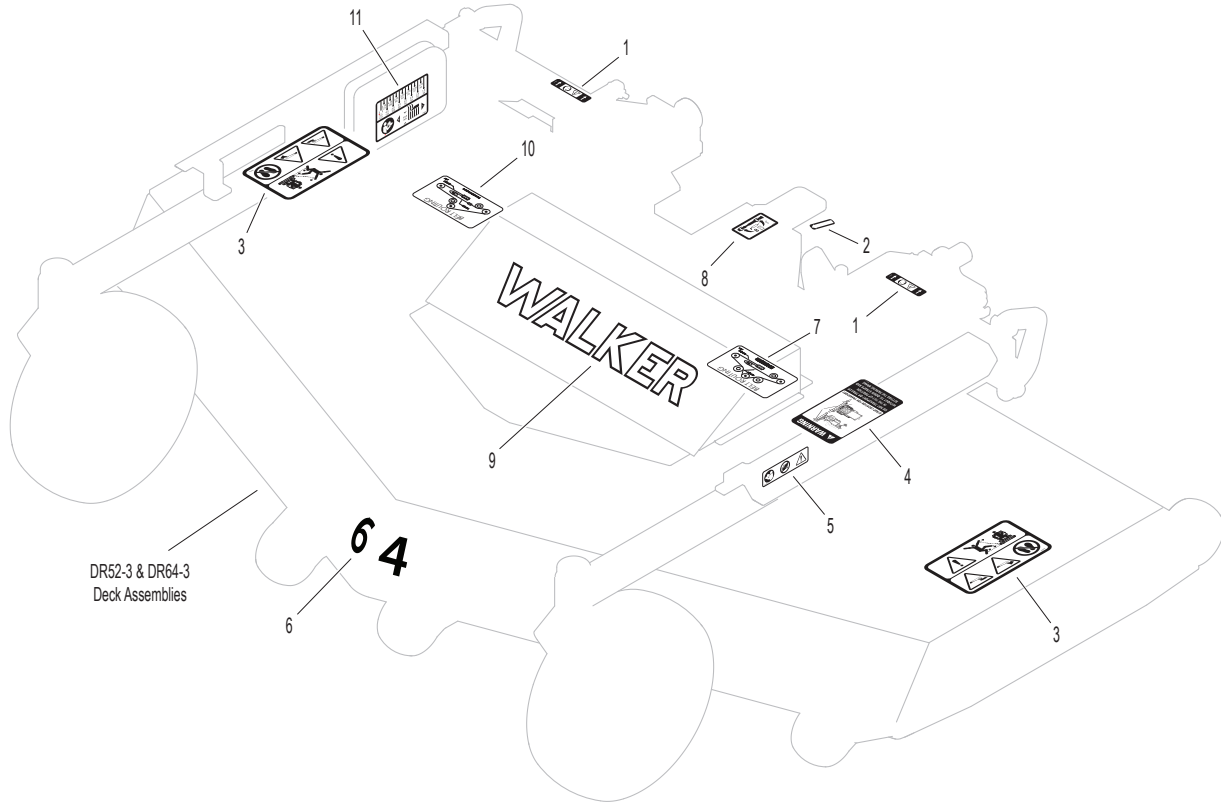
ITEM NO.	PART NO.	DESCRIPTION	LOCATION	NO. REQ'D
<b>DR52-3 &amp; DR64-3 Deck Decals</b>				
1	8600-15	Caution, Tilt-Up Deck Lock	Carrier Frame	2
2	6875	PTO Alignment Arrow	Universal Joint Tube Assembly	1
3	8600-28	Danger, Rotating Blades	Deck Housing (one on each end)	2
4	8653-1	Transport Warning	Spindle Cover	1
5	8600-14	Danger, Tilt-Up	Carrier Frame	1
6	2732-1	Decal (64")	Deck Housing, Front	1
	8732	Decal (52")	Deck Housing, Front	1
7	2749-5	Decal, Drive Belt Routing (DR52-3)	Deck Housing	1
8	8746-2	Universal Joint Lube	PTO Guard Cover	1
9	5800-8	Decal, Walker 16"	Belt Cover	1
10	2749-7	Decal, Drive Belt Routing (DR64-3)	Deck Housing	1
11	2748-2	Cutting Height Adjustment	Carrier Frame	1

### DS61-3 Deck Decals

1	8600-15	Caution, Tilt-Up Deck Lock	Carrier Frame	2
2	6875	PTO Alignment Arrow	Universal Joint Tube Assembly	1
3	8600-28	Danger, Rotating Blades	Deck Housing (one on each end)	2
4	8653-1	Transport Warning	Spindle Cover	1
5	8600-14	Danger, Tilt-Up	Carrier Frame	1
7	2749-8	Decal, Drive Belt Routing	Deck Housing	1
8	8746-2	Universal Joint Lube	PTO Guard Cover	1
9	5800-8	Decal, Walker 16"	Belt Cover	1
11	2748-2	Cutting Height Adjustment	Carrier Frame	1
12	2732-3	Decal (61")	Deck Housing, Front	1
13	5848-3	Danger, Side Discharge Shield	Side Discharge Shield	1

**NOTE:** All parts requiring decals are shipped with decals applied.

# DR52-3, DS61-3 & DR64-3 DECK DECALS



## DS74-2 DECK DECALS / TOUCH-UP PAINT

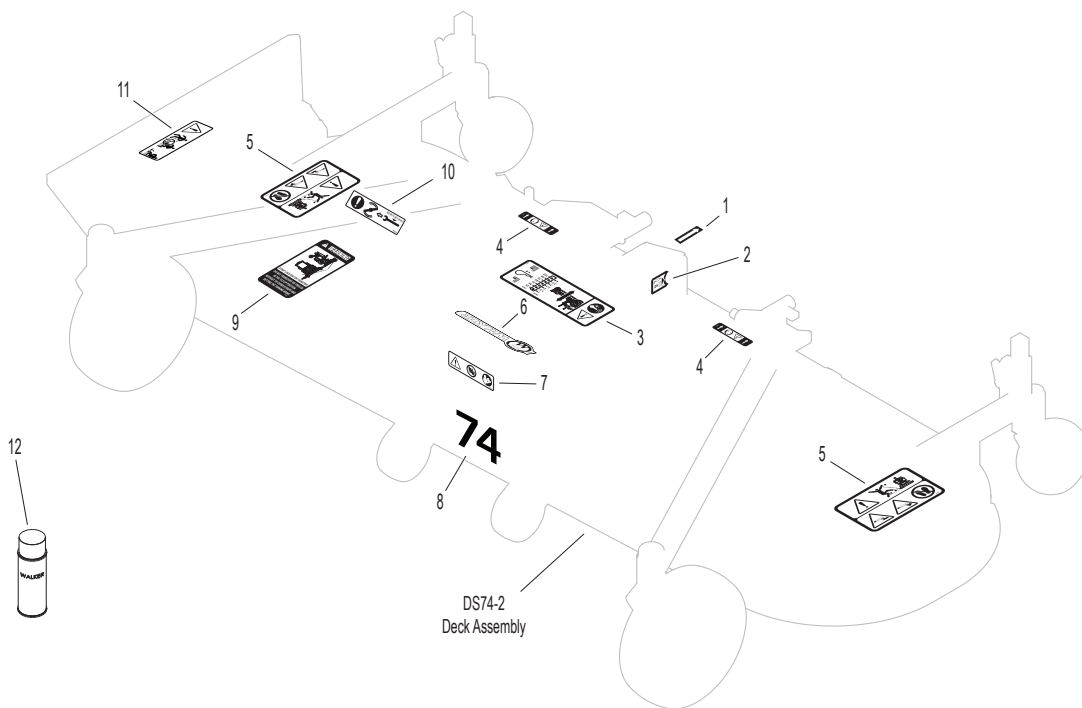
ITEM NO.	PART NO.	DESCRIPTION	LOCATION	NO. REQ'D
<b>DS74-2 Deck Decals</b>				
1	6875	PTO Alignment Arrow	Universal Joint Shaft Assembly	1
2	5846-1	Grease Fitting	PTO Shaft Guard	1
3	8600-7	Cutting Height Adjustment	Gearbox Cover, RH	1
4	8600-15	Caution, Tilt-Up Deck Lock	Carrier Frame	2
5	8600-28	Danger, Rotating Blades	Deck Housing (one on each end)	2
6	5809-2	Decal, Walker	Carrier Frame	1
7	8600-14	Danger, Tilt-Up	Carrier Frame, Front	1
8	7689	Decal (74")	Deck Housing, Front	1
9	8653-1	Transport Warning	Deck Housing	1
10	8600-9	Blade Mounting Torque	Gearbox Cover, RH	1
11	5848-3	Danger, Side Discharge Shield	Side Discharge Shield	1

### Touch-Up Paint

12 5866 Touch-Up Paint, Yellow (12 oz. Aerosol)

**NOTE:** All parts requiring decals are shipped with decals applied.

# DS74-2 DECK DECALS / TOUCH-UP PAINT

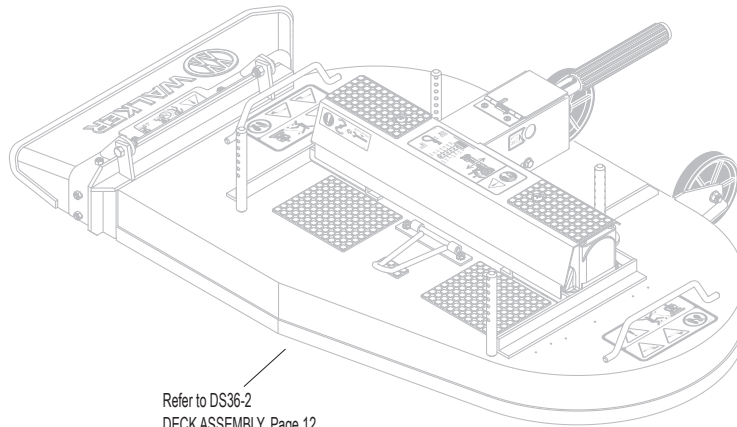
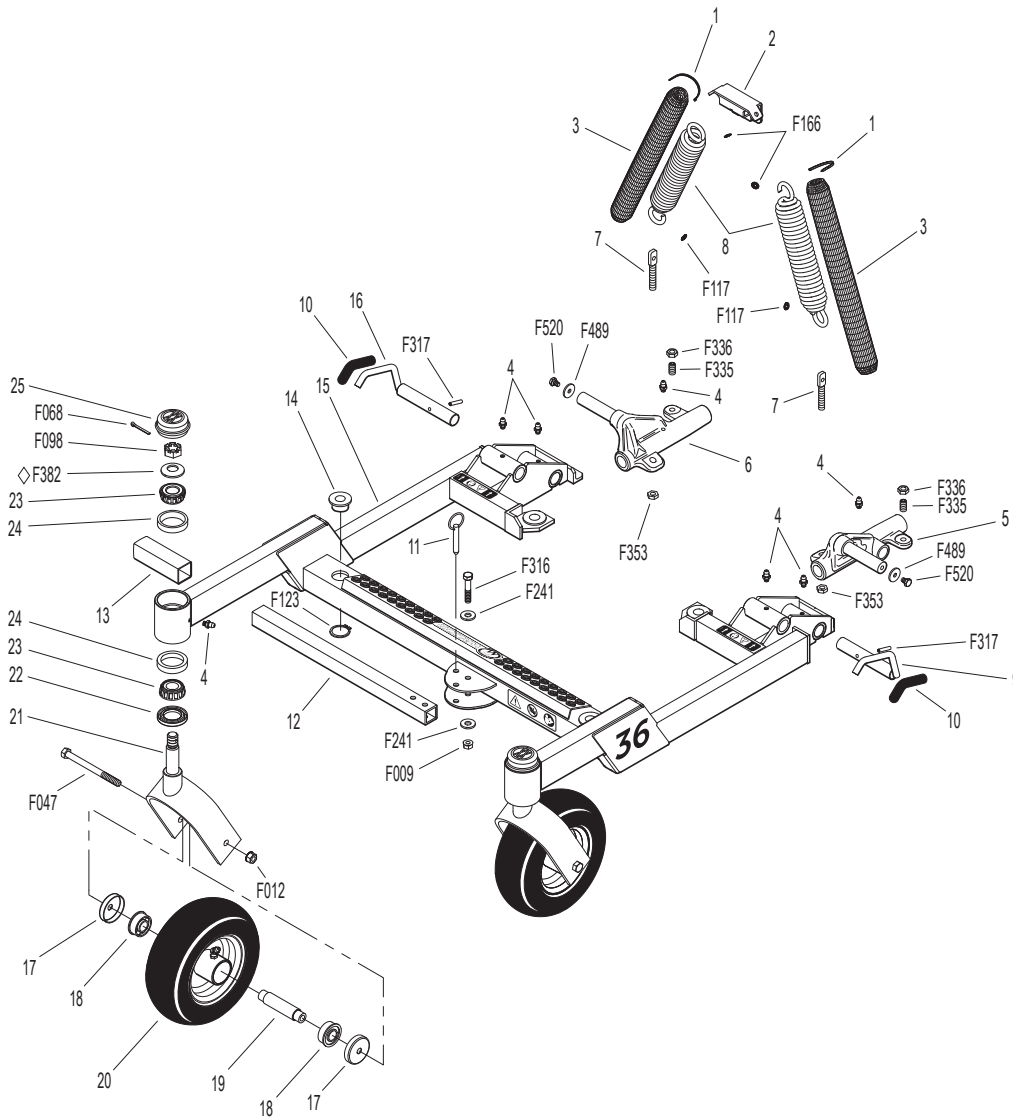


# DS36-2 COMPLETE CARRIER FRAME ASSEMBLY

ITEM NO.	PART NO.	DESCRIPTION	NO. REQ'D	ITEM NO.	PART NO.	DESCRIPTION	NO. REQ'D
<b>Spring and Pivot Mount Components</b>				<b>Fasteners</b>			
1	5975-3	Cable Tie (50# x 7")	4	F009		5/16-18 Whiz Locknut	1
2	5744-4	Spring Clip Bracket	1	F012		3/8-16 Keps Nut	2
3	5743-1	Spring Cover	2	F047		3/8-16 x 4-1/2 Hex Bolt	2
4	5830	Grease Fitting	8	F068		1/8 x 1 Cotter Pin	2
5	8667-3	Pivot Mount Assembly, LH/Adj. (Includes Items # 4, F353, F489 & F520)	1	F098		5/8-18 Slotted Hex Nut	2
6	8667-4	Pivot Mount Assembly, RH/Adj. (Includes Items # 4, F353, F489 & F520)	1	F117		Retainer Ring	2
7	5743-4	Eyebolt (3/8-16 x 2-3/4)	2	F123		1" External Snap Ring	4
8	5743-8	Extension Spring, Red (1-1/2 x 7-3/4) (Includes Items # 1, F117 & F166)	2	F166		Retainer Ring	2
<b>Carrier Frame Components</b>				F241		.375 x .875 x .10 Washer	2
9	8674-11	Lever, Deck Lock, LH	1	F316		5/16-18 x 1-3/4 Hex Bolt	1
10	7406-1	Handle Grip (Red)	2	F317		3/16 x 1 Split Spring Pin	2
11	7775-4	Detent Pin (5/16 x 1-1/2)	1	F335		3/8-16 x 7/8 Set Screw, SS	2
12	6811-2	Tilt Bar With Grip (14-1/2") (Includes Item # 13)	1	F336		3/8-16 Jam Nut	2
13	5850-5	Handle Grip (1 x 1 x 3-3/4")	1	F353		3/8-16 ESNA LP Nut	2
14	5740-2	Deck Pin Bushing (5/8)	4	F382		Belleville Washer .650 x 1.36	2
15	5708-6	36" Carrier Frame (Includes Item # 24)	1	F489		Washer 1/4 x 7/8 x .090	2
	5708-1	36" Carrier Frame W/Forks (Includes Items # 21-25, F068, F098 & F382)	*	F520		1/4-28 x 3/8 Hex Bolt	2
16	8674-10	Lever, Deck Lock, RH	1	* Service Part Only			
<b>Caster Wheel Components</b>							
17	8769-11	Bearing Cup (3/8 ID)	4				
18	5714-11	Bearing	4				
19	5714-10	Axle Tube (3.417)	2				
20	5715-23	Caster Wheel & Tire/No-Flat (8 x 3.00-4) W/Cups (Includes Items # 17-19)	2				
21	5770-1	Caster Wheel Fork	2				
22	8768-1	Seal (1-3/4 x 1-1/8)	2				
23	8037	Bearing Cone (3/4 ID)	4				
24	8769-1	Bearing Cup (1-3/4 x 1-7/16)	4				
25	8769-10	Dust Cap, Deck Caster	2				



# DS36-2 COMPLETE CARRIER FRAME ASSEMBLY



Refer to DS36-2  
DECK ASSEMBLY, Page 12

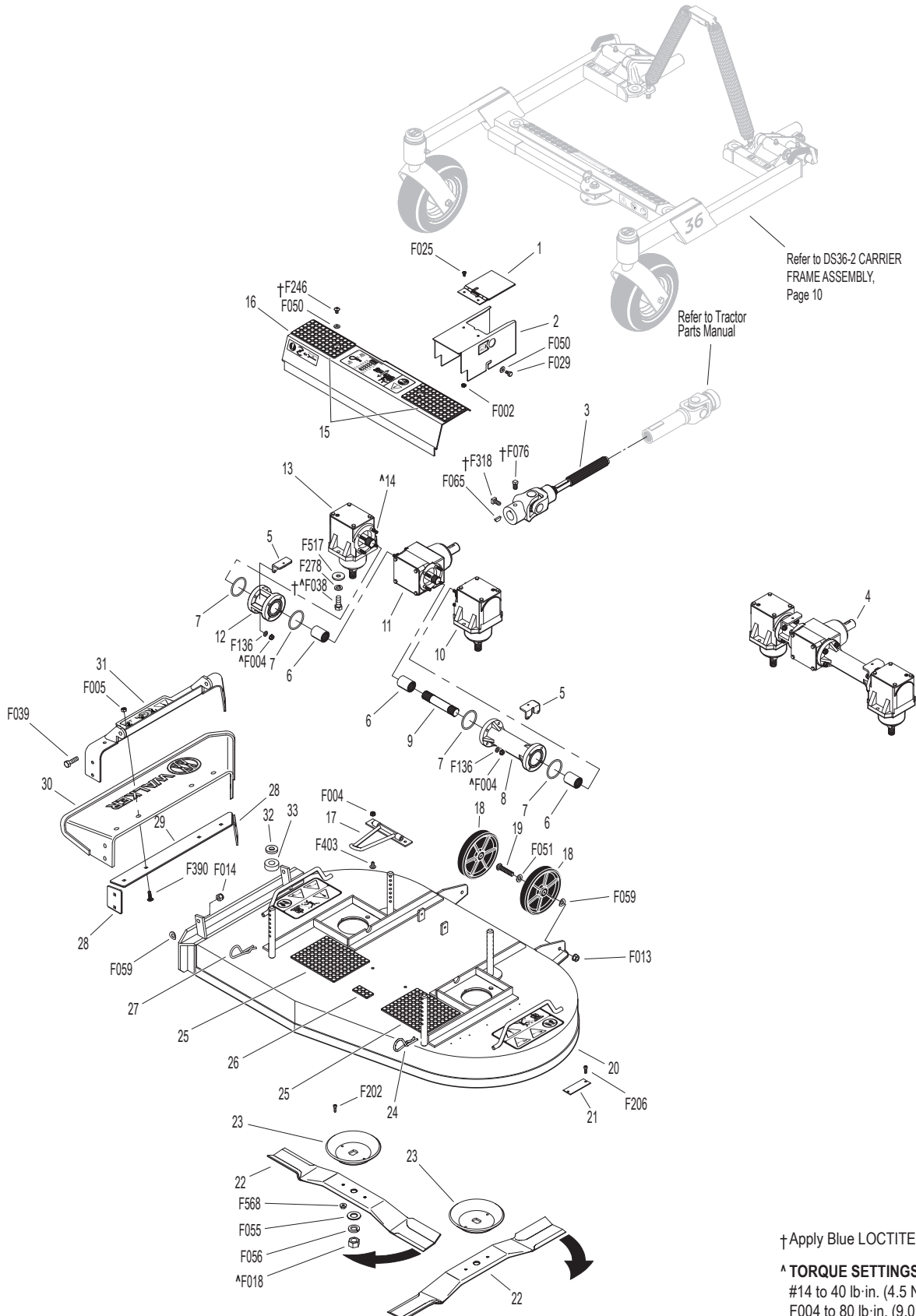
◇ Refer to CARRIER FRAME DECK FORK INSTALLATION, Page 70.

Refer to LUBRICATION POINTS starting on Page 64.

# DS36-2 DECK ASSEMBLY

ITEM NO.	PART NO.	DESCRIPTION	NO. REQ'D	ITEM NO.	PART NO.	DESCRIPTION	NO. REQ'D	
<b>Gearbox and Drive Components</b>				26	8788-1	Rubber Mat (1 x 2)	1	
1	8618-1	Cover, PTO Shaft Guard	1	27	7775-2	Hitch Pin, RH (Gold) #6	2	
2	8618-12	PTO Shaft Guard Assembly (Includes Items # 1, F002 & F025)	*	28	5709-17	End Backup Plate	2	
3	5285-5	U-Joint Shaft Assembly (90 Degree) Spline, Keyed (Includes Items # F065, F076 & F318)	1	29	5709-16	Center Backup Plate	1	
4	6711-3	HD Gearbox and Tube Assembly (Includes Items # 5-14, F004 & F136)	1	30	5709-15	Discharge Shield, Rubber	1	
5	5704-1	Gearbox Cover Support	2	31	5709-1	Rubber Shield Frame	1	
6	6054	Spline Coupling	3	32	5727-1	Washer Shim (5/8 ID)	4	
7	5068-6	O-Ring (1-7/8 x 2)	4	33	7434-1	Washer 1-3/8 x 5/8-1/2 Thick	4	
8	5065-2	Connector Tube (7.718)	1	<b>Fasteners</b>				
9	6733-4	Connecting Shaft (5-5/16)	1		F002	10-24 Keps Nut	2	
10	5052-9	HD Gearbox (1:1.2) CCW-CCW (Includes Item # 14)	1		F004	1/4-20 Keps Nut	18	
11	5051-5	HD Tee Gearbox (1:1) CW-CW & CCW (Includes Item # 14)	1		F005	1/4-20 ESNA Nut	8	
12	5060-2	Connector Tube (2.343)	1		F013	3/8-16 Whiz Locknut	2	
13	5053-7	HD Gearbox (1:1.2) CW-CCW (Includes Item # 14)	1		F014	3/8-16 ESNA Nut	2	
14	5589-1	1/4-20 x 1-1/2" Stud	16		F018	5/8-18 Hex Nut	2	
15	5747-11	Rubber Mat (3 x 6)	2		F025	10-24 x 3/8 PPHMS	2	
16	5746-6	36" Gearbox Cover (Includes Item # 15)	1		F029	1/4-20 x 1/2 Hex Bolt	2	
<b>Deck Housing Components</b>						F038	3/8-16 x 1 Hex Bolt	4
17	8670	Tilt-Up Hook	1		F039	3/8-16 x 1-1/4 Hex Bolt	2	
18	5162-12	Roller Wheel (5" Poly) (Includes Items # 19, F013 & F059)	2		F050	1/4 SAE Washer	4	
19	8490	Roller Wheel Axle Bolt	2		F051	3/8 SAE Washer	2	
20	5702-8	36 SD Deck Housing (Includes Items # 25 & 26)	1		F055	5/8 SAE Washer	2	
21	NS	Deck Serial Number Plate	1		F056	5/8 Split Lock Washer	2	
22	5705-36	LH/RH Blade, 19" (RH Rotation)	2		F059	3/8 Wave Spring Washer	4	
23	5706	Blade Hub & Trash Guard	2		F065	3/16 x 3/4 Woodruff Key (#606)	1	
24	7775-1	Hitch Pin, LH (Silver) #6	2		F076	3/8-16 x 5/8 SQH Set Screw	1	
25	8735-10	Rubber Mat (5 x 6)	2		F136	AN960C416L Washer	16	
					F202	10-24 x 5/8 SHC Screw, GR5 SS	4	
					F206	#2 x 3/16 Drive Pin	2	
					F246	1/4-20 x 1/2 PTHMS	2	
					F278	3/8 Split Lock Washer	4	
					F318	3/8-16 x 3/4 SQH Set Screw	1	
					F390	1/4-20 x 7/8 Carriage Bolt	8	
					F403	1/4-20 x 1/2 PTHMS, SS	2	
					F517	Washer 3/8 x 1-1/8 x 1/8	4	
					F568	10-24 Flange Top Lock Nut	4	
				*	Service Part Only			

# DS36-2 DECK ASSEMBLY



Refer to DS36-2 CARRIER  
FRAME ASSEMBLY,  
Page 10

Refer to Tractor  
Parts Manual

† Apply Blue LOCTITE® # 242

^ **TORQUE SETTINGS:**  
#14 to 40 lb-in. (4.5 N-m)  
F004 to 80 lb-in. (9.0 N-m)  
F018 to 60 lb-ft (81.4 N-m)  
F038 to 115 lb-in. (13.0 N-m)

Refer to LUBRICATION POINTS starting on Page 64.

# DS42-2 COMPLETE CARRIER FRAME ASSEMBLY

ITEM NO.	PART NO.	DESCRIPTION	NO. REQ'D	ITEM NO.	PART NO.	DESCRIPTION	NO. REQ'D
<b>Spring and Pivot Mount Components</b>				<b>Fasteners</b>			
1	5975-3	Cable Tie (50# x 7")	4	F012		3/8-16 Keps Nut	2
2	5744-4	Spring Clip Bracket	1	F020		5/16-18 ESNA Nut	2
3	5743-1	Spring Cover	2	F047		3/8-16 x 4-1/2 Hex Bolt	2
4	5743-4	Eyebolt (3/8-16 x 2-3/4)	2	F068		1/8 x 1 Cotter Pin	2
5	5830	Grease Fitting	8	F084		5/16 Wave Spring Washer	2
6	8667-3	Pivot Mount Assembly, LH/Adj. (Includes Items # 5, F353, F489 & F520)	1	F098		5/8-18 Slotted Hex Nut	2
7	8667-4	Pivot Mount Assembly, RH/Adj. (Includes Items # 5, F353, F489 & F520)	1	F117		Retainer Ring	2
8	5743-8	Extension Spring, Red (1-1/2 x 7-3/4) (Includes Items # 1, F117 & F166)	2	F123		1" External Snap Ring	4
				F166		Retainer Ring	2
				F226		5/16-18 x 7/8 Hex Bolt	2
				F317		3/16 x 1 Split Spring Pin	2
				F335		3/8-16 x 7/8 Set Screw, SS	2
				F336		3/8-16 Jam Nut	2
				F353		3/8-16 ESNA LP Nut	2
				F382		Belleville Washer .650 x 1.36	2
				F489		Washer 1/4 x 7/8 x .090	2
				F520		1/4-28 x 3/8 Hex Bolt	2
<b>Carrier Frame Components</b>				* Service Part Only			
9	8674-11	Lever, Deck Lock, LH	1				
10	7406-1	Handle Grip (Red)	2				
11	8669-3	Lift Handle	1				
12	5740-2	Deck Pin Bushing (5/8)	4				
13	8660-16	42" Carrier Frame W/Forks (Includes Items # 19-23, F068, F098 & F382)	1				
	8660-15	42" Carrier Frame (Includes Item # 22)	*				
14	8674-10	Lever, Deck Lock, RH	1				
<b>Caster Wheel Components</b>							
15	8769-11	Bearing Cup (3/8 ID)	4				
16	5714-11	Bearing	4				
17	5714-10	Axle Tube (3.417)	2				
18	5715-23	Caster Wheel & Tire/No-Flat (8 x 3.00-4) W/Cups (Includes Items # 15-17)	2				
19	5770-1	Caster Wheel Fork	2				
20	8768-1	Seal (1-3/4 x 1-1/8)	2				
21	8037	Bearing Cone (3/4 ID)	4				
22	8769-1	Bearing Cup (1-3/4 x 1-7/16)	4				
23	8769-10	Dust Cap, Deck Caster	2				



# DS42-2 DECK ASSEMBLY

ITEM NO.	PART NO.	DESCRIPTION	NO. REQ'D	ITEM NO.	PART NO.	DESCRIPTION	NO. REQ'D
<b>Gearbox and Drive Components</b>				27	5703-15	42 SD Deck Housing (Includes Items # 25 & 26)	1
1	8618-1	Cover, PTO Shaft Guard	1	28	7775-2	Hitch Pin, RH (Gold) #6	2
2	8618-12	PTO Shaft Guard Assembly (Includes Items # 1, F002 & F025)	*	29	5709-17	End Backup Plate	2
3	5285-5	U-Joint Shaft Assembly (90 Degree) Spline, Keyed (Includes Items # F065, F076 & F318)	1	30	5709-16	Center Backup Plate	1
4	6711-7	HD Gearbox and Tube Assembly (Includes Items # 5-15, F004 & F136)	1	31	5709-15	Discharge Shield, Rubber	1
5	5704-1	Gearbox Cover Support	2	32	5709-1	Rubber Shield Frame	1
6	6054	Spline Coupling	4	33	5727-1	Washer Shim (5/8 ID)	4
7	5068-6	O-Ring (1-7/8 x 2)	4	34	7434-1	Washer 1-3/8 x 5/8-1/2 Thick	4
8	5063-2	Connector Tube (8.655)	1	<b>Fasteners</b>			
9	6733-3	Connecting Shaft (6-1/4)	1	F002	10-24 Keps Nut		2
10	5052-13	HD Gearbox (1:1) CCW/CCW (Includes Item # 15)	1	F004	1/4-20 Keps Nut		18
11	5051-5	HD Tee Gearbox (1:1) CW-CW & CCW (Includes Item # 15)	1	F005	1/4-20 ESNA Nut		8
12	6733-1	Connecting Shaft (2")	1	F013	3/8-16 Whiz Locknut		2
13	5062-2	Connector Tube (4.405)	1	F014	3/8-16 ESNA Nut		2
14	5053-3	HD Gearbox (1:1) CW-CCW (Includes Item # 15)	1	F018	5/8-18 Hex Nut		2
15	5589-1	1/4-20 x 1-1/2" Stud	16	F025	10-24 x 3/8 PPHMS		2
16	5747-11	Rubber Mat (3 x 6)	2	F029	1/4-20 x 1/2 Hex Bolt		2
17	5785-5	42" Gearbox Cover (Includes Item # 16)	1	F038	3/8-16 x 1 Hex Bolt		4
<b>Deck Housing Components</b>				F039	3/8-16 x 1-1/4 Hex Bolt		2
18	8670	Tilt-Up Hook	1	F050	1/4 SAE Washer		4
19	5162-12	Roller Wheel (5" Poly) (Includes Items # 20, F013 & F059)	2	F051	3/8 SAE Washer		2
20	8490	Roller Wheel Axle Bolt	2	F055	5/8 SAE Washer		2
21	NS	Deck Serial Number Plate	1	F056	5/8 Split Lock Washer		2
22	5705-3	LH/RH Blade, 22" (RH Rotation)	2	F059	3/8 Wave Spring Washer		4
	5705-7	42 SD Blade Set With Hubs (Includes Items # 22, 23, F202 & F568)	*	F065	3/16 x 3/4 Woodruff Key (#606)		1
23	5706	Blade Hub & Trash Guard	2	F076	3/8-16 x 5/8 SQH Set Screw		1
24	7775-1	Hitch Pin, LH (Silver) #6	2	F136	AN960C416L Washer		16
25	8735-10	Rubber Mat (5 x 6)	2	F202	10-24 x 5/8 SHC Screw, GR5 SS		4
26	8788-1	Rubber Mat (1 x 2)	1	F206	#2 x 3/16 Drive Pin		2
				F246	1/4-20 x 1/2 PTHMS		2
				F278	3/8 Split Lock Washer		4
				F318	3/8-16 x 3/4 SQH Set Screw		1
				F390	1/4-20 x 7/8 Carriage Bolt		8
				F403	1/4-20 x 1/2 PTHMS, SS		2
				F517	Washer 3/8 x 1-1/8 x 1/8		4
				F568	10-24 Flange Top Lock Nut		4
				* Service Part Only			



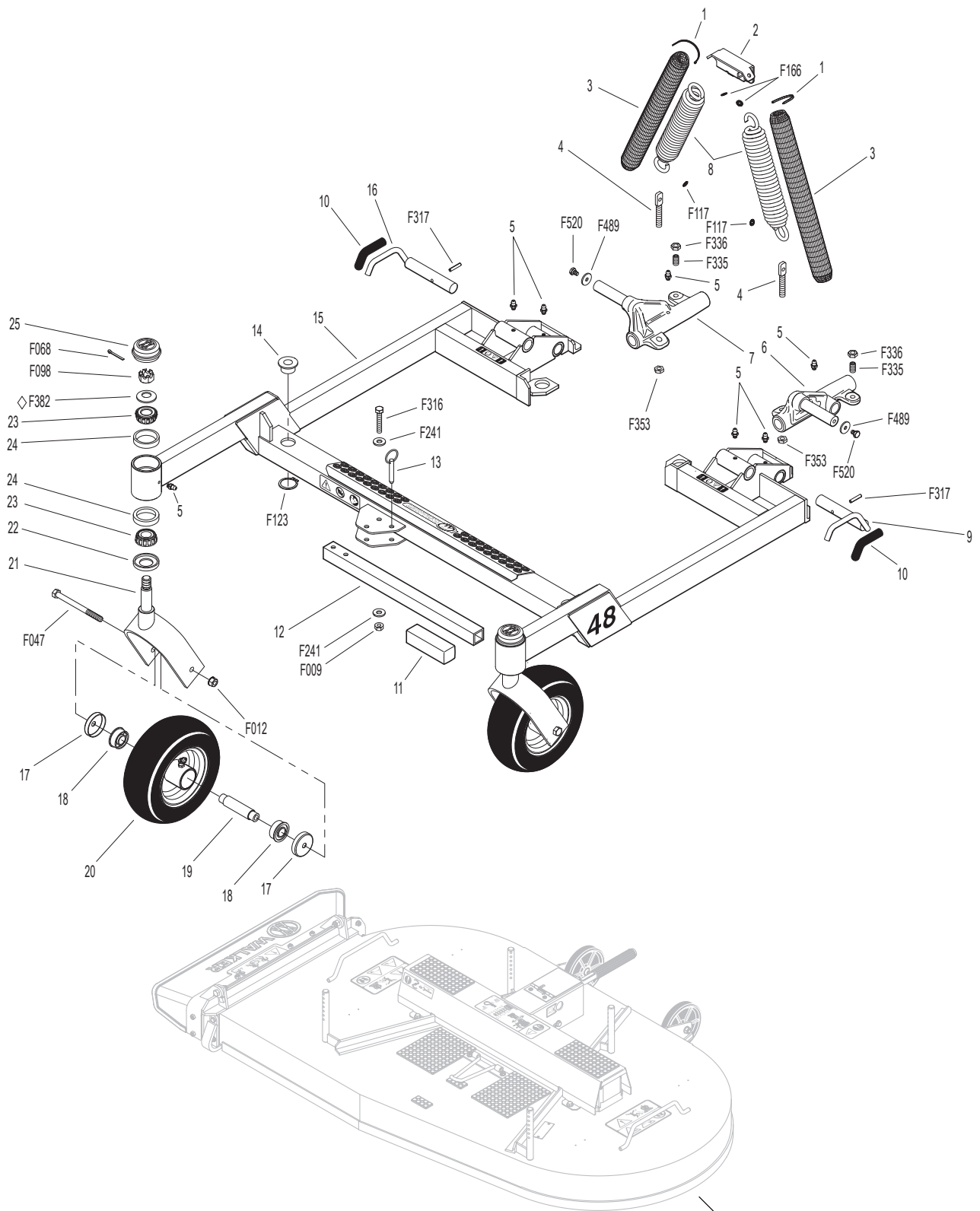


# DS48-2 COMPLETE CARRIER FRAME ASSEMBLY

ITEM NO.	PART NO.	DESCRIPTION	NO. REQ'D	ITEM NO.	PART NO.	DESCRIPTION	NO. REQ'D
<b>Spring and Pivot Mount Components</b>				<b>Fasteners</b>			
1	5975-3	Cable Tie (50# x 7")	4	F009		5/16-18 Whiz Locknut	1
2	5744-4	Spring Clip Bracket	1	F012		3/8-16 Keps Nut	2
3	5743-1	Spring Cover	2	F047		3/8-16 x 4-1/2 Hex Bolt	2
4	5743-4	Eyebolt (3/8-16 x 2-3/4)	2	F068		1/8 x 1 Cotter Pin	2
5	5830	Grease Fitting	8	F098		5/8-18 Slotted Hex Nut	2
6	8667-3	Pivot Mount Assembly, LH/Adj. (Includes Items # 5, F353, F489 & F520)	1	F117		Retainer Ring	2
7	8667-4	Pivot Mount Assembly, RH/Adj. (Includes Items # 5, F353, F489 & F520)	1	F123		1" External Snap Ring	4
8	5743-6	Extension Spring, Green (1-1/2 x 7-3/4) (Includes Items # 1, F117 & F166)	2	F166		Retainer Ring	2
<b>Carrier Frame Components</b>				F241		.375 x .875 x .10 Washer	2
9	8674-11	Lever, Deck Lock, LH	1	F316		5/16-18 x 1-3/4 Hex Bolt	1
10	7406-1	Handle Grip (Red)	2	F317		3/16 x 1 Split Spring Pin	2
11	5850-5	Handle Grip (1 x 1 x 3-3/4)	1	F335		3/8-16 x 7/8 Set Screw, SS	2
12	6811-2	Tilt-Bar With Grip (14-1/2") (Includes Item # 11)	1	F336		3/8-16 Jam Nut	2
13	7775-4	Detent Pin (5/16 x 1-1/2)	1	F353		3/8-16 ESNA LP Nut	2
14	5740-2	Deck Pin Bushing (5/8)	4	F382		Belleville Washer .650 x 1.36	2
15	8661-12	48" Carrier Frame (Includes Item # 24)	1	F489		Washer 1/4 x 7/8 x .090	2
	8661-11	48" Carrier Frame W/Forks (Includes Items # 17, 21-25, F068, F098 & F382)	*	F520		1/4-28 x 3/8 Hex Bolt	2
16	8674-10	Lever, Deck Lock, RH	1	* Service Part Only			
<b>Caster Wheel Components</b>							
17	8769-11	Bearing Cup (3/8 ID)	4				
18	5714-11	Bearing	4				
19	5714-10	Axle Tube (3.417)	2				
20	5715-23	Caster Wheel & Tire/No-Flat (8 x 3.00-4) W/Cups (Includes Items # 17-19)	2				
21	5770-1	Caster Wheel Fork	2				
22	8768-1	Seal (1-3/4 x 1-1/8)	2				
23	8037	Bearing Cone (3/4 ID)	4				
24	8769-1	Bearing Cup (1-3/4 x 1-7/16)	4				
25	8769-10	Dust Cap, Deck Caster	2				



# DS48-2 COMPLETE CARRIER FRAME ASSEMBLY



Refer to DS48-2  
DECK ASSEMBLY, Page 20

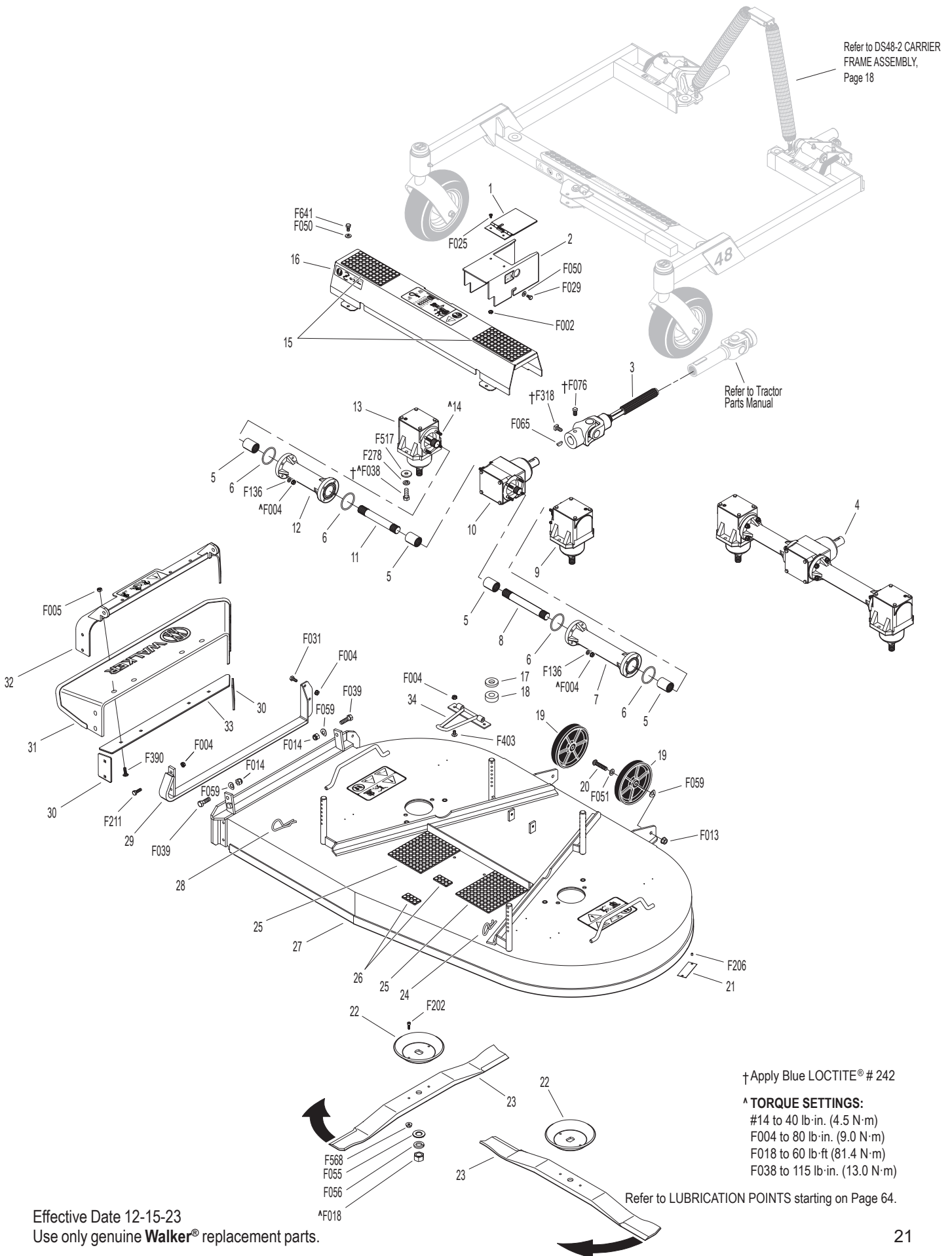
◇ Refer to CARRIER FRAME DECK FORK INSTALLATION, Page 70.

Refer to LUBRICATION POINTS starting on Page 64.

# DS48-2 DECK ASSEMBLY

ITEM NO.	PART NO.	DESCRIPTION	NO. REQ'D	ITEM NO.	PART NO.	DESCRIPTION	NO. REQ'D
<b>Gearbox and Drive Components</b>				28	7775-2	Hitch Pin, RH (Gold) #6	2
1	8618-1	Cover, PTO Shaft Guard	1	29	7707-10	48 SD Skid Bar	1
2	8618-10	PTO Shaft Guard Assembly (Includes Items # 1, F002 & F025)	*	30	6709-7	End Backup Plate (48")	2
3	7285-5	U-Joint Shaft Assembly, Spline (Keyed) (Includes Items # F065, F076 & F318)	1	31	6709-9	DS48-2 Discharge Shield, Rubber	1
4	6711-12	HD Gearbox and Tube Assembly (Includes Items # 5-14, F004 & F136)	1	32	6709-4	DS48-2 Rubber Shield Frame	1
5	6054	Spline Coupling	4	33	6709-6	Center Backup Plate (48")	1
6	5068-6	O-Ring (1-7/8 x 2)	4	34	8670	Tilt-Up Hook	1
7	5066-2	Connector Tube (9.343)	1	<b>Fasteners</b>			
8	6733-6	Connecting Shaft (7")	1	F002	10-24 Keps Nut		2
9	5052-13	HD Gearbox (1:1) CCW-CCW (Includes Item # 14)	1	F004	1/4-20 Keps Nut		22
10	5051-5	HD Tee Gearbox (1:1) CW-CW & CCW (Includes Item # 14)	1	F005	1/4-20 ESNA Nut		8
11	6733-2	Connecting Shaft (4-1/8)	1	F013	3/8-16 Whiz Locknut		2
12	5061-2	Connector Tube (6.718)	1	F014	3/8-16 ESNA Nut		2
13	5053-3	HD Gearbox (1:1) CW-CCW (Includes Item # 14)	1	F018	5/8-18 Hex Nut		2
14	5589-1	1/4-20 x 1-1/2" Stud	16	F025	10-24 x 3/8 PPHMS		2
15	5747-10	Rubber Mat, No-Hole (3 x 6)	2	F029	1/4-20 x 1/2 Hex Bolt		2
16	7785-6	48" Gearbox Cover (Includes Item # 15)	1	F031	1/4-20 x 5/8 Hex Bolt		2
<b>Deck Housing Components</b>				F038	3/8-16 x 1 Hex Bolt		4
17	5727-1	Washer Shim (5/8 ID)	4	F039	3/8-16 x 1-1/4 Hex Bolt		2
18	7434-1	Washer 1-3/8 x 5/8-1/2 Thick	4	F050	1/4 SAE Washer		6
19	5162-12	Roller Wheel (5" Poly) (Includes Items # 20, F013 & F059)	2	F051	3/8 SAE Washer		2
20	8490	Roller Wheel Axle Bolt	2	F055	5/8 SAE Washer		2
21	NS	Deck Serial Number Plate	1	F056	5/8 Split Lock Washer		2
22	5706	Blade Hub & Trash Guard	2	F059	3/8 Wave Spring Washer		4
23	7705-1	LH/RH Blade, 25" (RH Rotation)	2	F065	3/16 x 3/4 Woodruff Key (#606)		1
	7705-5	48 SD Blade Set With Hubs (Includes Items # 22, 23, F202 & F568)	*	F076	3/8-16 x 5/8 SQH Set Screw		1
24	7775-1	Hitch Pin, LH (Silver) #6	2	F136	AN960C416L Washer		16
25	8735-10	Rubber Mat (5 x 6)	2	F202	10-24 x 5/8 SHC Screw, GR5 SS		4
26	8788-1	Rubber Mat (1 x 2)	2	F206	#2 x 3/16 Drive Pin		2
27	7702-22	48 SD Deck Housing (Includes Items # 25, 26 & 29)	1	F211	1/4-20 x 7/8 Hex Bolt		2
				F278	3/8 Split Lock Washer		4
				F318	3/8-16 x 3/4 SQH Set Screw		1
				F390	1/4-20 x 7/8 Carriage Bolt		8
				F403	1/4-20 x 1/2 PTHMS, SS		2
				F517	Washer 3/8 x 1-1/8 x 1/8		4
				F568	10-24 Flange Top Lock Nut		4
				F641	1/4-20 x 5/8 Hex Bolt, SS		4
				* Service Part Only			

# DS48-2 DECK ASSEMBLY



Refer to DS48-2 CARRIER FRAME ASSEMBLY, Page 18

Refer to Tractor Parts Manual

† Apply Blue LOCTITE® # 242

**^ TORQUE SETTINGS:**  
 #14 to 40 lb-in. (4.5 N-m)  
 F004 to 80 lb-in. (9.0 N-m)  
 F018 to 60 lb-ft (81.4 N-m)  
 F038 to 115 lb-in. (13.0 N-m)

Refer to LUBRICATION POINTS starting on Page 64.

Effective Date 12-15-23  
 Use only genuine Walker® replacement parts.

# DS48-3 COMPLETE CARRIER FRAME ASSEMBLY

ITEM NO.	PART NO.	DESCRIPTION	NO. REQ'D	ITEM NO.	PART NO.	DESCRIPTION	NO. REQ'D
<b>Spring and Pivot Mount Components</b>				<b>Fasteners</b>			
1	5975-3	Cable Tie (50# x 7")	4	F009		5/16-18 Whiz Locknut	1
2	5744-4	Spring Clip Bracket	1	F012		3/8-16 Keps Nut	2
3	5743-1	Spring Cover	2	F047		3/8-16 x 4-1/2 Hex Bolt	2
4	5743-3	Eyebolt (3/8-16 x 2)	2	F068		1/8 x 1 Cotter Pin	2
5	5830	Grease Fitting	8	F098		5/8-18 Slotted Hex Nut	2
6	8667-3	Pivot Mount Assembly, LH/Adj. (Includes Items # 5, F353, F489 & F520)	1	F117		Retainer Ring	2
7	8667-4	Pivot Mount Assembly, RH/Adj. (Includes Items # 5, F353, F489 & F520)	1	F123		1" External Snap Ring	4
8	5743-6	Extension Spring, Green (1-1/2 x 7-3/4) (Includes Items # 1, F117 & F166)	1	F166		Retainer Ring	2
9	5743-8	Extension Spring, Red (1-1/2 x 7-3/4) (Includes Items # 1, F117 & F166)	1	F316		5/16-18 x 1-3/4 Hex Bolt	1
				F317		3/16 x 1 Split Spring Pin	2
				F335		3/8-16 x 7/8 Set Screw, SS	2
				F336		3/8-16 Jam Nut	2
				F353		3/8-16 ESNA LP Nut	2
				F382		Belleville Washer .650 x 1.36	2
				F489		Washer 1/4 x 7/8 x .090	2
				F520		1/4-28 x 3/8 Hex Bolt	2
<b>Carrier Frame Components</b>				* Service Part Only			
10	8674-11	Lever, Deck Lock, LH	1				
11	7406-1	Handle Grip (Red)	2				
12	7775-4	Detent Pin 5/16 x 1-1/2	1				
13	6811-2	Tilt Bar With Grip (14-1/2") (Includes Item # 14)	1				
14	5850-5	Handle Grip (1 x 1 x 3-3/4")	1				
15	5740-2	Deck Pin Bushing (5/8)	4				
16	8661-15	DS48-3 Carrier Frame (Includes Item # 25)	1				
	8661-16	DS48-3 Carrier Frame W/Forks (Includes Items # 22-26, F068, F098 & F382)	*				
17	8674-10	Lever, Deck Lock, RH	1				
<b>Caster Wheel Components</b>							
18	8769-11	Bearing Cup (3/8 ID)	4				
19	5714-11	Bearing	4				
20	5714-10	Axle Tube (3.417)	2				
21	5715-23	Caster Wheel & Tire/No-Flat (8 x 3.00-4) W/Cups (Includes Items # 18-20)	2				
22	5770-1	Caster Wheel Fork	2				
23	8768-1	Seal (1-3/4 x 1-1/8)	2				
24	8037	Bearing Cone (3/4 ID)	4				
25	8769-1	Bearing Cup (1-3/4 x 1-7/16)	4				
26	8769-10	Dust Cap, Deck Caster	2				



# DS48-3 DECK ASSEMBLY

ITEM NO.	PART NO.	DESCRIPTION	NO. REQ'D	ITEM NO.	PART NO.	DESCRIPTION	NO. REQ'D
<b>Deck Housing Components</b>				41	2245-2	Idler Pulley	1
1	8618-1	Cover, PTO Shaft Guard	1	42	6240-4	Drive Pulley, Micro-V (3")	1
2	8619-8	PTO Shaft Guard	1	43	8724-14	Idler Mount Weldment	1
	8618-8	PTO Shaft Guard Assembly (Includes Items # 1, 2, F002 & F025)	*	<b>Blade Spindle Components</b>			
3	7307-1	Shock Mount (1.0 x .25) Double Stud	4	44	8052-5	Blade Spindle	2
4	8670-16	Tilt-Up Hook	1	45	7705-29	LH/RH Blade, 24-3/8" (RH Rotation)	2
5	8670-15	Tilt-Up Hook Spacer	1	<b>Fasteners</b>			
6	7434-1	Washer 1-3/8 x 5/8-1/2 Thick (Rubber)	4	F002	10-24 Keps Nut		2
7	5727-1	Washer Shim (5/8 ID)	4	F004	1/4-20 Keps Nut		2
8	5162-12	Roller Wheel (5" Poly) (Includes Items # 9, F013 & F059)	2	F005	1/4-20 ESNA Nut		4
9	8490	Roller Wheel Axle Bolt	2	F009	5/16-18 Whiz Locknut		5
10	7702-19	DS48-3 Deck Housing	1	F012	3/8-16 Keps Nut		1
11	NS	Deck Serial Number Plate	1	F013	3/8-16 Whiz Locknut		17
12	7703-1	Replaceable Wear Edge	1	F014	3/8-16 ESNA Nut		2
13	7307-9	Pull Through Bumper	3	F019	1/4-20 ESNA Wing Nut		4
14	7775-1	Hitch Pin, LH (Silver) #6	2	F025	10-24 x 3/8 PPHMS		2
15	7775-2	Hitch Pin, RH (Gold) #6	2	F029	1/4-20 x 1/2 Hex Bolt		2
16	1709-5	Backup Plate	1	F039	3/8-16 x 1-1/4 Hex Bolt		14
17	1709-3	Rubber Shield	1	F041	3/8-16 x 1-3/4 Hex Bolt		3
18	1709-6	Discharge Shield Frame	1	F048	1/2 SAE Washer		2
19	8735-10	Rubber Mat (5 x 6)	2	F049	5/16 SAE Washer		1
20	8788-1	Rubber Mat (1 x 2)	1	F050	1/4 SAE Washer		2
21	8662-12	Footrest (Includes Items # 19, 20 & 22)	1	F051	3/8 SAE Washer		4
22	5747-10	Rubber Mat, No-Hole (3 x 6)	2	F055	5/8 SAE Washer		2
<b>Blade Drive Components</b>				F059	3/8 Wave Spring Washer		4
23	5285-5	U-Joint Shaft Assembly (90 Degree) Spline, Keyed (Includes Items # F067, F076 & F318)	1	F067	3/16 x 3/16 x 1 Key		1
24	5270	Bearing W/Collar (1")	1	F076	3/8-16 x 5/8 SQH Set Screw		1
25	8726-3	Mount Base / PTO Housing	1	F123	1" External Snap Ring		4
26	2724-17	Guide Rod Bushing	4	F169	5/16-18 x 1 Carriage Bolt		3
27	8645-22	8mm Nut	1	F170	5/16 x 1 x 7/64 Flat Washer (Zinc Plate)		2
28	2723-16	Guide Rod (8-5/8") Clear Zinc	2	F191	3/8 x 1-1/2 x 3/16 Washer		1
29	2215-10	Deck Belt Dampener	1	F206	#2 x 3/16 Drive Pin		2
30	5146	10mm Ball Stud	1	F265	1/2-20 x 1-1/2 Hex Bolt		2
31	5841	Retainer Washer (3/8 x 1-1/4)	3	F306	3/8-16 x 3/4 Hex Bolt		5
32	8726-2	PTO Drive Shaft	1	F318	3/8-16 x 3/4 SQH Set Screw		1
33	5270-1	Ball Bearing	1	F356	1/4-20 x 5/8 PTHMS, SS		2
34	2245-6	Idler Pulley Shaft	2	F388	3/8-16 x 2-1/2 Hex Bolt		1
35	5245-4	Idler Pulley, Micro-V (3.25)	1	F404	5/8-18 Jam Nut		2
36	2265	Bearing (20mm)	2	F445	1-7/8 Internal Snap Ring		2
37	5245-6	Idler Pulley Shaft	1	F500	3/16 x 3/16 x 9/16 Key		3
38	2240-13	Blade Pulley	2	F551	5/16-18 Flange Top Lock Nut		5
39	7245-2	Idler Pulley	2	F571	5/16-18 x 7/8 Carriage Bolt		6
40	8731-2	Blade Drive Belt (84")	1	F601	1/4-20 x 3/8 Torx Button Head		4
				F602	1/4-20 x 1/4 T-Nut		4
				* Service Part Only			



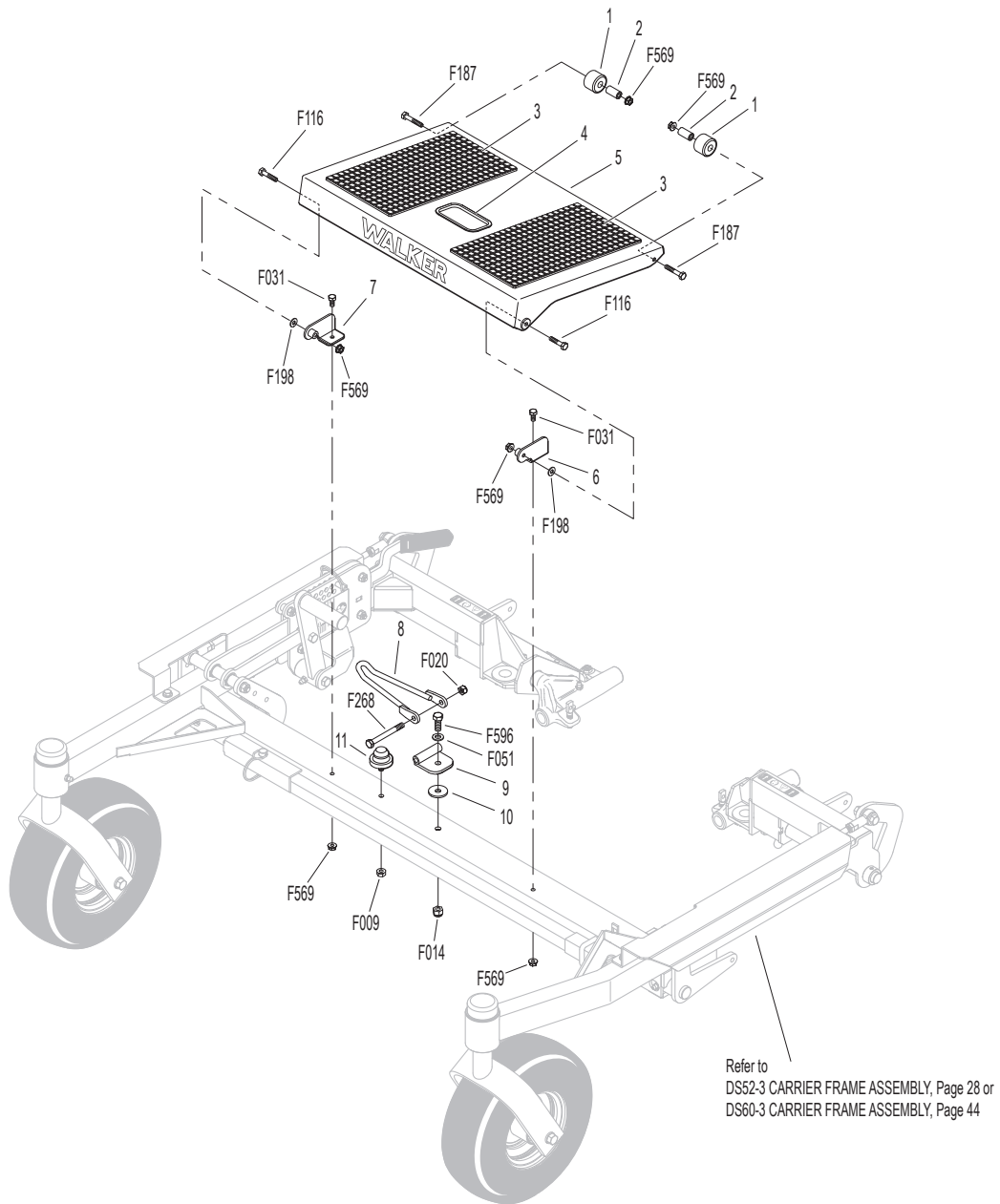


## DS52-3 & DS60-3 CARRIER FRAME FOOTREST COMPONENTS

ITEM NO.	PART NO.	DESCRIPTION	NO. REQ'D	ITEM NO.	PART NO.	DESCRIPTION	NO. REQ'D
<b>Footrest Components</b>				<b>Fasteners</b>			
1	2787-4	Rubber Wheel	2	F009		5/16-18 Whiz Locknut	1
2	8018-6	1" Spacer	2	F014		3/8-16 ESNA Nut	1
3	8786-9	Rubber Mat (6 x 12)	2	F020		5/16-18 ESNA Nut	1
4	M112	Edge Molding	1	F031		1/4-20 x 5/8 Hex Bolt	2
5	2787-1	Footrest (Includes Items # 3 & 4)	1	F051		3/8 SAE Washer	1
6	2787-3	Footrest Mount, LH	1	F116		1/4-20 x 1-1/4 Hex Bolt	2
7	2787-2	Footrest Mount, RH	1	F187		1/4-20 x 1-1/2 Hex Bolt	2
<b>Tilt-Up Hook Components</b>				F198		.250 x .625 x .040 Washer, SS	2
8	8670-13	Tilt-Up Hook	1	F268		5/16-18 x 3 Hex Bolt	1
9	8670-14	Tilt-Up Hook Base	1	F569		1/4-20 Flange Top Lock Nut	6
10	5841	Retainer Washer (3/8 x 1-1/4)	1	F596		3/8-16 x 1-1/8 Hex Bolt	1
11	5845-1	Rubber Latch	1				



# DS52-3 & DS60-3 CARRIER FRAME FOOTREST COMPONENTS



# DS52-3 COMPLETE CARRIER FRAME ASSEMBLY (S/N 218707 AND ON)

ITEM NO.	PART NO.	DESCRIPTION	NO. REQ'D	ITEM NO.	PART NO.	DESCRIPTION	NO. REQ'D
<b>Spring and Pivot Mount Components</b>				41	7146	13mm Ball Stud	2
1	2744-1	Spring Clip Bracket	1	42	2215-9	Gas Spring Assembly	1
2	5975-3	Cable Tie (50# x 7")	4	43	2721-5	Lifting Arm Assembly (Includes Item # 6)	1
3	5743-1	Spring Cover	2	44	2722-8	Foot Pedal	1
4	5743-9	Spring Tube Cover	2	45	2722-14	Pedal Link	1
5	8667-3	Pivot Mount Assembly, LH/Adj. (Includes Items # 6, F353, F489 & F520)	1	46	6325-8	Bushing (.375 x .625 x .280)	1
6	5830	Grease Fitting	11	47	2721-7	Lifting Cross Tube	1
7	5743-4	Eyebolt (3/8-16 x 2-3/4)	2	48	2723-3	Height Adjustment Arm (Includes Item # 49)	1
8	8667-4	Pivot Mount Assembly, RH/Adj. (Includes Items # 6, F353, F489 & F520)	1	49	5850-3	Handle Grip, Foam (3-1/4)	1
9	5743-6	Extension Spring, Green (1-1/2 x 7-3/4) (Includes Items # 2, F117 & F166)	2	50	8756-12	Deck Height Adjustment, RH (Includes Item # 6)	1
<b>Carrier Frame Components</b>				<b>Fasteners</b>			
10	2215-12	Gas Spring Cover, RH	1	F004	1/4-20 Keps Nut		6
11	2723-112	Outer Height Adjustment Plate	1	F009	5/16-18 Whiz Locknut		10
12	7775-9	Wire Lock Pin (5/16 x 1-3/8)	1	F012	3/8-16 Keps Nut		1
13	2720-3	Height Adjustment Spacer	4	F013	3/8-16 Whiz Locknut		12
14	2722-45	Adjustment Plate / Pedal Mount	1	F035	5/16-18 x 1-1/4 Hex Bolt		2
15	2215-13	Gas Spring Cover, LH	1	F038	3/8-16 x 1 Hex Bolt		2
16	8674-11	Lever, Deck Lock, LH	1	F039	3/8-16 x 1-1/4 Hex Bolt		4
17	7406-1	Handle Grip (Red)	2	F040	3/8-16 x 1-1/2 Hex Bolt		5
18	5850-5	Handle Grip (1 x 1 x 3-3/4)	1	F050	1/4 SAE Washer		6
19	8811-25	Tilt Bar W/Grip (35") (Includes Item # 18)	1	F071	3/4 External Snap Ring		4
20	7775-5	Lock Pin (5/16 x 1-5/8)	1	F090	1/4-20 x 2-1/2 Hex Bolt		4
21	8740	Deck Pin Bushing (3/4 ID)	4	F117	Retainer Ring		2
22	8674-10	Lever, Deck Lock, RH	1	F132	1/4-20 x 2-3/4 Hex Bolt		2
23	8811-4	DS52 Carrier Frame (Includes Items # 6 & 26)	1	F166	Retainer Ring		2
<b>Caster Wheel Components</b>				F218	7/16 Split Lock Washer		4
24	8769-8	Dust Cap, Deck Caster	2	F219	7/16-14 x 1-1/4 Hex Bolt		4
25	8769-6	Bearing Cone (1" ID)	4	F226	5/16-18 x 7/8 Hex Bolt		4
26	8769-5	Bearing Cup (2 x 1-5/8)	4	F241	.375 x .875 x .10 Washer		23
27	8769-7	Seal	2	F263	1-1/4 External Snap Ring		4
28	8765-16	Caster Wheel Fork (1" Longer)	2	F268	5/16-18 x 3 Hex Bolt		1
29	8767	Axle, Wheel Caster (5-1/8)	2	F298	3/8-24 Jam Nut		4
30	8768-2	Seal, Reverse Lip	4	F335	3/8-16 x 7/8 Set Screw, SS		2
31	8037	Bearing Cone (3/4 ID)	4	F336	3/8-16 Jam Nut		2
32	8768-7	Caster Wheel, Pneumatic (11 x 4.00-5)	2	F344	3/4-16 Slotted Hex Nut		2
	8768-3	Tire, Pneumatic (11 x 4.00-5)	*	F348	1/8 x 1-1/2 Cotter Pin		2
	8768-5	Caster Wheel (5 x 3)	*	F353	3/8-16 ESNA LP Nut		2
33	8766	Axle Nut (3/4-16)	2	F378	3/8-16 x 6 Hex Bolt		1
<b>Deck Lift Components</b>				F436	3/16 x 1-1/8 Roll Pin		2
34	8756-13	Deck Height Adjustment, LH (Includes Item # 6)	1	F438	5/16-18 x 2-3/4 Hex Bolt		1
35	2214-10	Rod End, Female (3/8-24)	4	F484	Washer .380 ID x 1.0 OD x .120		1
36	2655	Lift Chain	4	F489	Washer 1/4 x 7/8 x .090		2
37	4407-4	Bow Tie Cotter Pin	2	F520	1/4-28 x 3/8 Hex Bolt		2
38	7523-6	Clevis Pin W/Hole (5/16 x 1-1/8)	2	F639	Belleville Washer (1.5 x .755 x .072)		2
39	2722-13	Pivot Shaft	2				
40	2215-14	Height Adjustment Rod	2				
				*	Service Part Only		

**NOTE:** For DS52-3 prior to S/N 218707, see the 2023 (P/N 5000-78) or earlier parts manuals.



## DS52-3 DECK ASSEMBLY (S/N 218707 AND ON)

ITEM NO.	PART NO.	DESCRIPTION	NO. REQ'D	ITEM NO.	PART NO.	DESCRIPTION	NO. REQ'D
<b>Deck Housing Components</b>				<b>Blade Spindle Components</b>			
1	2703-5	Knob, 10-24 x 1/2	10	36	8052-5	Blade Spindle	3
2	8735-12	Rubber Mat (5 x 12)	2	37	8691-16	Blade Spacer	3
3	8754-6	Belt Cover (Includes Item # 2)	1	38	5705-14	LH/Center/RH Blade, 18-1/2" (RH Rotation)	3
4	8754-4	Spindle Cover	2		8738-7	52 SD Blade Set	*
5	6715-7	Roller Wheel (3")	2	<b>Fasteners</b>			
6	5280-4	Clevis Fork	1		F002	10-24 Keps Nut	2
7	8723-9	Clevis Mount	1		F012	3/8-16 Keps Nut	1
8	2720-8	Deck Height Adjustment Clevis	2		F013	3/8-16 Whiz Locknut	23
9	8692	52SD Deck Baffle (Includes Items # F029 & F569)	1		F014	3/8-16 ESNA Nut	4
10	8810-8	DS52 Deck Housing	1		F020	5/16-18 ESNA Nut	1
11	2705-12	Center Backup Plate	1		F024	5/16-24 Jam Nut	1
12	2705-13	End Backup Plate	2		F025	10-24 x 3/8 PPHMS	2
13	2809-4	Rubber Shield	1		F029	1/4-20 x 1/2 Hex Bolt	5
14	2705-14	Chute Frame	1		F031	1/4-20 x 5/8 Hex Bolt	2
<b>Blade Drive Components</b>					F032	1/4-20 x 3/4 Hex Bolt	4
15	7285-4	U-Joint Shaft, Spline (Keyed) (Includes Items # F065, F076 & F318)	1		F039	3/8-16 x 1-1/4 Hex Bolt	20
16	2725-15	Idler Arm (Includes Items # 33 & 34)	1		F041	3/8-16 x 1-3/4 Hex Bolt	4
17	5245-6	Idler Pulley Shaft	3		F048	1/2 SAE Washer	3
18	5841	Retainer Washer (3/8 x 1-1/4)	8		F051	3/8 SAE Washer	10
19	5245-4	Idler Pulley, Micro-V (3.25)	2		F055	5/8 SAE Washer	3
20	2240-12	Blade Pulley (Includes Item # F500)	3		F059	3/8 Wave Spring Washer	2
21	2265	Bearing (20mm)	3		F065	3/16 x 3/4 Woodruff Key (#606)	1
22	6545-3	Countersunk Washer	1		F067	3/16 x 3/16 x 1 Key	1
23	8618-1	Cover, PTO Shaft Guard	1		F076	3/8-16 x 5/8 SQH Set Screw	1
24	2619-26	PTO Shaft Guard	1		F093	5/16-18 x 1 Hex Bolt	1
25	7245-2	Idler Pulley	4		F108	3/8-16 x 2 Hex Bolt	1
26	5270-1	Ball Bearing	2		F169	5/16-18 x 1 Carriage Bolt	3
27	2726-7	PTO Drive Shaft	1		F181	5/16-24 x 1 Hex Bolt	1
28	2726-9	PTO Bearing Housing	1		F191	3/8 x 1-1/2 x 3/16 Washer	1
29	5221-8	Extension Spring (1 x 4.5)	1		F306	3/8-16 x 3/4 Hex Bolt	1
30	2731-6	Blade Drive Belt (126K)	1		F318	3/8-16 x 3/4 SQH Set Screw	1
31	2245-2	Idler Pulley	1		F343	1/2-20 x 2 Hex Bolt	3
32	2240-15	Drive Pulley (4.5)	1		F388	3/8-16 x 2-1/2 Hex Bolt	2
33	7201-3	Fiberglide Bearing	2		F404	5/8-18 Jam Nut	3
34	5830	Grease Fitting	1		F408	7/16-20 Jam Nut	2
35	7201-4	Inner Race (1-1/2)	1		F445	1-7/8 Internal Snap Ring	3
					F500	3/16 x 3/16 x 9/16 Key	3
					F551	5/16-18 Flange Top Lock Nut	9
					F569	1/4-20 Flange Top Lock Nut	7
					F571	5/16-18 x 7/8 Carriage Bolt	4
					F575	3/8-16 x 3-3/4 Hex Bolt	1
					F600	3/8-16 x 1-3/4 FHA Screw (Zinc)	1
					F674	1"-14 Hex Nut LH/LP	1
					F703	Washer 1.50 x .900 x .067	3

\* Service Part Only

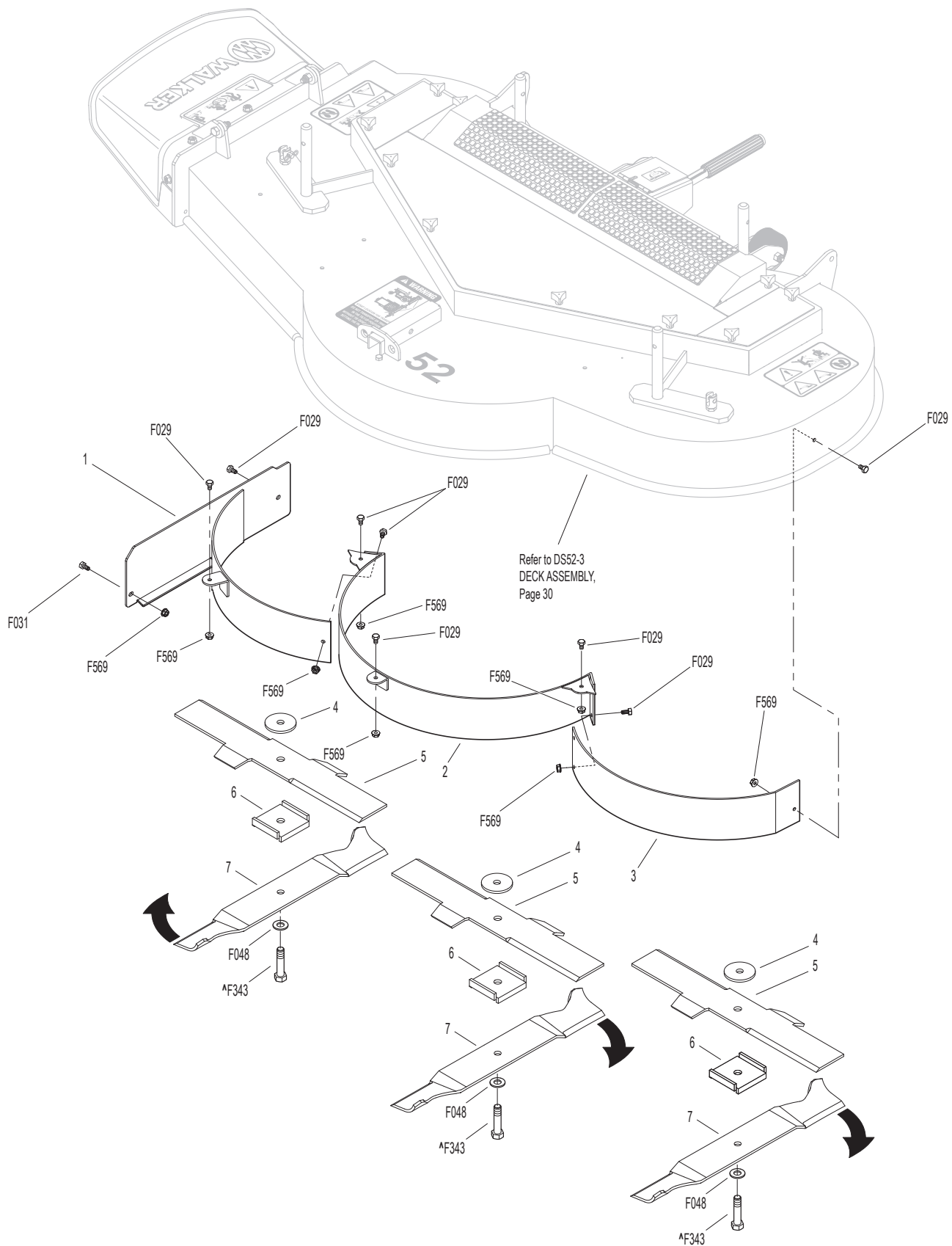


## DS52-3 MULCHING KIT (S/N 218707 AND ON)

ITEM NO.	PART NO.	DESCRIPTION	NO. REQ'D	ITEM NO.	PART NO.	DESCRIPTION	NO. REQ'D
<b>Kit 8691-25 Mulching Kit (For DS52-3 Deck Assembly)</b> Includes Items # 1-7, fasteners listed and instructions. May be ordered as a factory-installed option or as a kit for dealer installation. Contact your Walker dealer. Refer also to <b>DS52-3 DECK ASSEMBLY</b> , page 30.				<b>Fasteners</b>			
1	8691-24	Baffle, RH	1	F029		1/4-20 x 1/2 Hex Bolt	9
2	8691-3	Baffle, Center	1	F031		1/4-20 x 5/8 Hex Bolt	1
3	8691-2	Baffle, LH	1	F048		1/2 SAE Washer	3
4	8052-9	Mulch Blade Spacer	3	F343		1/2-20 x 2 Hex Bolt	3
5	5705-15	LH/Center/RH Blade, 18-3/8" Upper Mulch	3	F569		1/4-20 Flange Top Lock Nut	9
	8738-8	52 SD Mulching Blade Set	*	* Service Part Only. Includes 5705-15 Blades (3 Pieces).			
6	8691-10	Blade Saddle	3				
7	5705-14	LH/Center/RH Blade, 18-1/2" (RH Rotation)	3				



# DS52-3 MULCHING KIT (S/N 218707 AND ON)



**^ TORQUE SETTINGS:**  
F343 to 70 lb-ft (95 N·m)

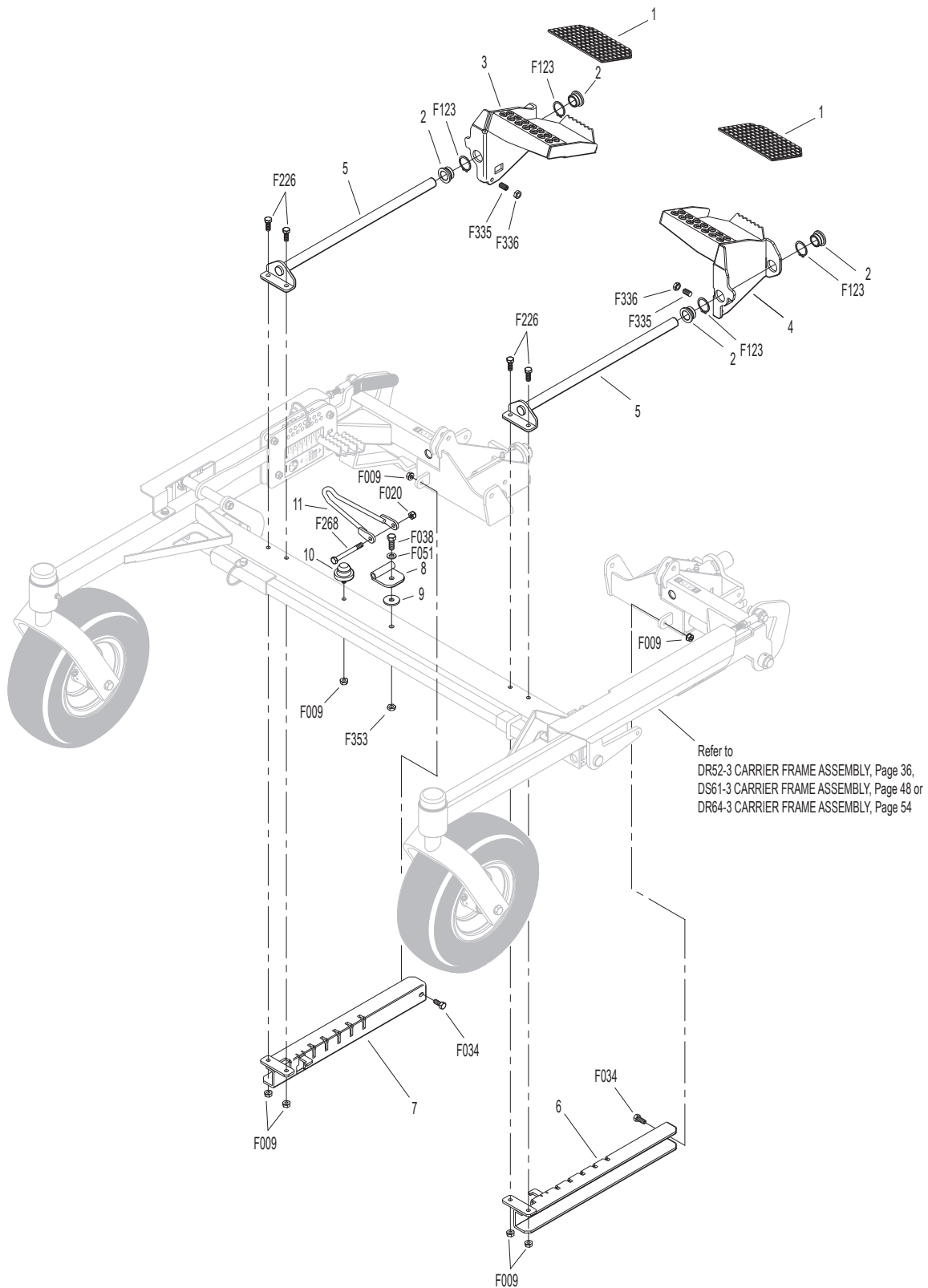
# DR52-3, DS61-3 & DR64-3 CARRIER FRAME FOOTREST COMPONENTS

ITEM NO.	PART NO.	DESCRIPTION	NO. REQ'D	ITEM NO.	PART NO.	DESCRIPTION	NO. REQ'D
<b>Footrest Components</b>				<b>Fasteners</b>			
1	8735-11	Rubber Mat (4 x 6)	2	F009		5/16-18 Whiz Locknut	7
2	2724-17	Guide Rod Bushing	4	F020		5/16-18 ESNA Nut	1
3	2786-12	Footrest, RH (Includes Item # 1)	1	F034		5/16-18 x 3/4 Hex Bolt	2
4	2786-11	Footrest, LH (Includes Item # 1)	1	F038		3/8-16 x 1 Hex Bolt	1
5	2786-10	Adjustable Footrest Rod	2	F051		3/8 SAE Washer	1
6	2786-15	Footrest Lock Channel, LH	1	F123		1" External Snap Ring	4
7	2786-14	Footrest Lock Channel, RH	1	F226		5/16-18 x 7/8 Hex Bolt	4
<b>Tilt-Up Hook Components</b>				F268		5/16-18 x 3 Hex Bolt	1
8	8670-14	Tilt-Up Hook Base	1	F335		3/8-16 x 7/8 Set Screw, SS	2
9	5841	Retainer Washer (3/8 x 1-1/4)	1*	F336		3/8-16 Jam Nut	2
10	5845-1	Rubber Latch	1	F353		3/8-16 ESNA LP Nut	1
11	8670-13	Tilt-Up Hook	1	* Item used on DS61-3 and DR64-3 only			

**NOTE:** Model DR64-3 is shown.



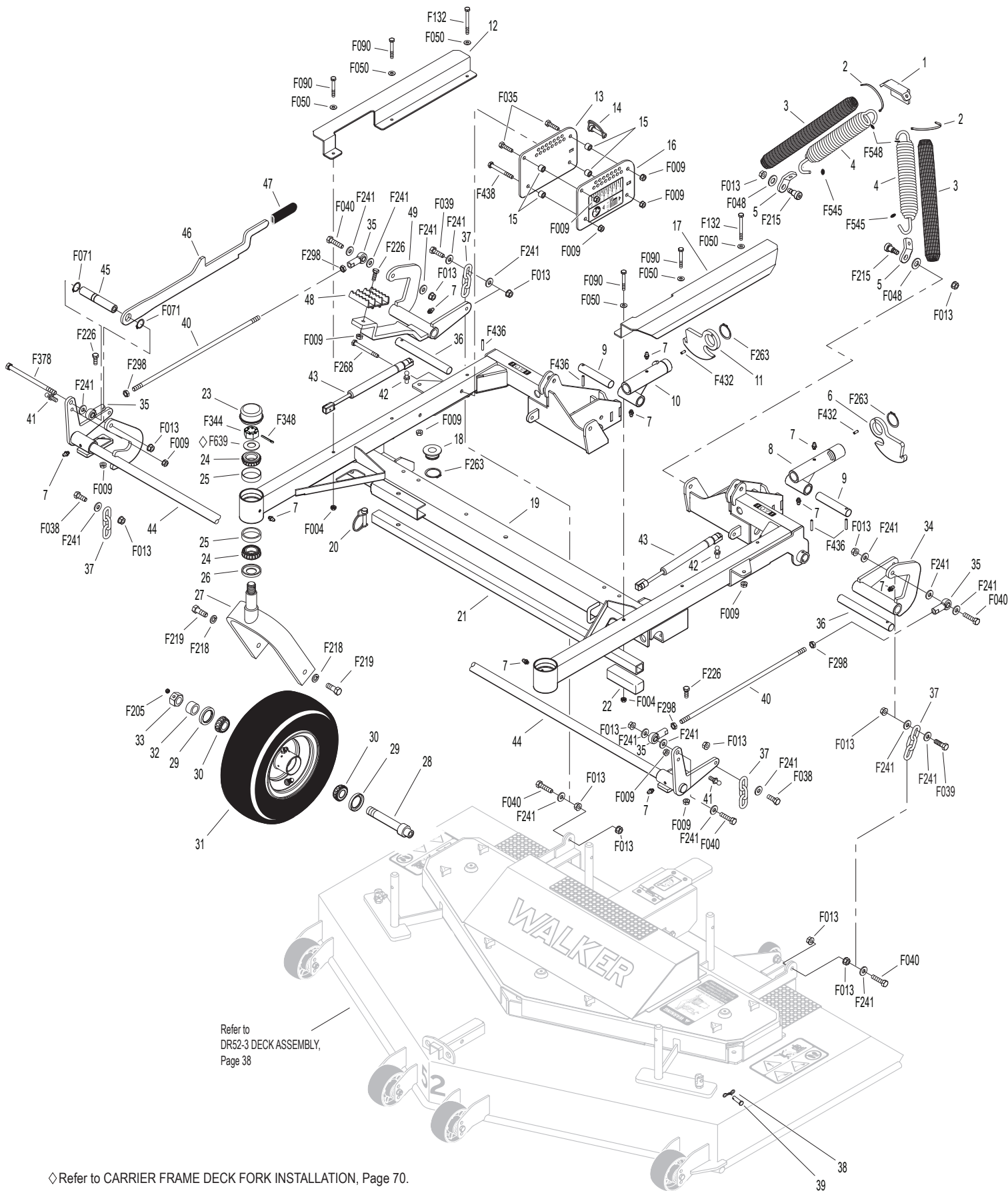
# DR52-3, DS61-3 & DR64-3 CARRIER FRAME FOOTREST COMPONENTS



# DR52-3 COMPLETE CARRIER FRAME ASSEMBLY

ITEM NO.	PART NO.	DESCRIPTION	NO. REQ'D	ITEM NO.	PART NO.	DESCRIPTION	NO. REQ'D
<b>Spring and Pivot Mount Components</b>				36	2722-4	Pivot Shaft	2
				37	2655	Lift Chain	4
1	2744-1	Spring Clip Bracket	1	38	4407-4	Bow Tie Cotter Pin	2
2	5975-3	Cable Tie (50# x 7")	4	39	7523-6	Clevis Pin W/Hole (5/16 x 1-1/8)	2
3	5743-12	Spring Cover	2	40	2215-4	Height Adjustment Rod	2
4	5743-13	Extension Spring (Includes Items # 3, F545 & F548)	2	41	5146-1	10mm Ball Stud x 5/8	2
5	2723-10	Counter Weight Spring Mount	2	42	5146	10mm Ball Stud	2
6	2723-19	Locking Arm, LH (Includes Item # F432)	1	43	2215	Gas Spring Assembly	2
7	5830	Grease Fitting	10	44	2721-5	Lifting Arm Assembly (Includes Item # 7)	1
8	2667-1	Pivot Mount, LH (Includes Item # 7)	1	45	2721-2	Lifting Cross Tube	1
9	2723-4	Pivot Shaft	2	46	2723-7	Height Adjustment Arm (Includes Item # 47)	1
10	2667-2	Pivot Mount, RH (Includes Item # 7)	1	47	5850-3	Handle Grip, Foam (3-1/4)	1
11	2723-15	Locking Arm, RH (Includes Item # F432)	1	48	2722-7	Foot Pedal Pad	1
				49	2722-6	Deck Height Adjustment Trigger (Includes Item # 7)	1
<b>Carrier Frame Components</b>				<b>Fasteners</b>			
12	2215-12	Gas Spring Cover, RH	1	F004	1/4-20 Keps Nut		6
13	2723-2	Outer Height Adjustment Plate	1	F009	5/16-18 Whiz Locknut		13
14	7775-9	Wire Lock Pin (5/16 x 1-3/8)	1	F013	3/8-16 Whiz Locknut		14
15	2720-3	Height Adjustment Spacer	4	F035	5/16-18 x 1-1/4 Hex Bolt		2
16	2723-1	Inner Height Adjustment Plate	1	F038	3/8-16 x 1 Hex Bolt		2
17	2215-11	Gas Spring Cover, LH	1	F039	3/8-16 x 1-1/4 Hex Bolt		2
18	8740	Deck Pin Bushing (3/4 ID)	4	F040	3/8-16 x 1-1/2 Hex Bolt		5
19	2911-8	DR52-3 Carrier Frame (Includes Item # 25)	1	F048	1/2 SAE Washer		2
20	7775-5	Lock Pin (5/16 x 1-5/8)	1	F050	1/4 SAE Washer		6
21	8811-25	Tilt Bar W/Grip (35") (Includes Item # 22)	1	F071	3/4 External Snap Ring		2
22	5850-5	Handle Grip (1 x 1 x 3-3/4)	1	F090	1/4-20 x 2-1/2 Hex Bolt		4
<b>Caster Wheel Components</b>				F132	1/4-20 x 2-3/4 Hex Bolt		2
23	8769-8	Dust Cap, Deck Caster	2	F205	5/16-18 x 1/4 Set Screw (Knurl Point)		2
24	8769-6	Bearing Cone (1" ID)	4	F215	3/8-16 x 1/2 x 1/2 S Bolt		2
25	8769-5	Bearing Cup (2 x 1-5/8)	4	F218	7/16 Split Lock Washer		4
26	8769-7	Seal	2	F219	7/16-14 x 1-1/4 Hex Bolt		4
27	2770	Caster Wheel Fork	2	F226	5/16-18 x 7/8 Hex Bolt		5
28	7038	Wheel Axle (3/4 x 5-9/16)	2	F241	.375 x .875 x .10 Washer		18
29	8768-2	Seal, Reverse Lip	4	F263	1-1/4 External Snap Ring		6
30	8037	Bearing Cone (3/4 ID)	4	F268	5/16-18 x 3 Hex Bolt		1
31	8035-1	Wheel & Tire (13 x 4.5-6) (W/Bearing Race)	2	F298	3/8-24 Jam Nut		4
32	8038-1	Spacer, Wheel Axle (.750 ID x 1.125 OD)	2	F344	3/4-16 Slotted Hex Nut		2
33	8039	Nut, Wheel Axle	2	F348	1/8 x 1-1/2 Cotter Pin		2
<b>Deck Lift Components</b>				F378	3/8-16 x 6 Hex Bolt		1
34	2722-5	Deck Height Adjustment, LH (Includes Item # 7)	1	F432	3/16 x 1/2 Split Spring Pin		2
35	2214-10	Rod End, Female (3/8-24)	4	F436	3/16 x 1-1/8 Roll Pin		4
				F438	5/16-18 x 2-3/4 Hex Bolt		1
				F545	Retention Washer (.250 Wire)		2
				F548	Retention Ring (.235 Wire)		2
				F639	Belleville Washer (1.5 x .755 x .072)		2

# DR52-3 COMPLETE CARRIER FRAME ASSEMBLY



Refer to  
DR52-3 DECK ASSEMBLY,  
Page 38

◇ Refer to CARRIER FRAME DECK FORK INSTALLATION, Page 70.

Refer to LUBRICATION POINTS starting on Page 64.

Effective Date 12-15-23

Use only genuine **Walker**® replacement parts.

# DR52-3 DECK ASSEMBLY

ITEM NO.	PART NO.	DESCRIPTION	NO. REQ'D	ITEM NO.	PART NO.	DESCRIPTION	NO. REQ'D
<b>Deck Housing Components</b>				<b>Blade Spindle Components</b>			
1	2703-5	Knob, 10-24 x 1/2	8	39	2052-1	Blade Spindle	3
2	2723-12	Spindle Cover, RH	1	40	7705-14	LH/Center/RH Blade, 18.333" (RH Rotation)	3
3	2786-17	DR52-3 Belt Cover (Includes Item # 4)	1	<b>Fasteners</b>			
4	8735-8	Rubber Mat (2-1/2 x 12)	1	F002	10-24 Keps Nut		4
5	8790	Rubber Cushion Strip	2	F009	5/16-18 Whiz Locknut		8
6	2723-13	Spindle Cover, LH	1	F012	3/8-16 Keps Nut		1
7	9772	Roller Wheel Assembly (2-1/2) (Includes Item # F059)	2	F013	3/8-16 Whiz Locknut		23
8	8490-1	Roller Wheel Axle Bolt	2	F025	10-24 x 3/8 PPHMS		2
9	8735-10	Rubber Mat (5 x 6)	2	F028	10-24 x 3/4 PPHMS		2
10	2910-9	DR52-3 Deck Housing (Includes Item # 9)	1	F029	1/4-20 x 1/2 Hex Bolt		2
11	2720-8	Deck Height Adjustment Clevis	2	F039	3/8-16 x 1-1/4 Hex Bolt		16
12	NS	Deck Serial Number Plate	1	F041	3/8-16 x 1-3/4 Hex Bolt		3
13	6715-3	Roller Wheel Bearing	8	F048	1/2 SAE Washer		3
14	6715-6	Axle Spacer Tube	4	F050	1/4 SAE Washer		2
15	6715-2	Roller Wheel	4	F051	3/8 SAE Washer		4
<b>Blade Drive Components</b>				F059	3/8 Wave Spring Washer		2
16	2618-1	Cover, PTO Shaft Guard	1	F065	3/16 x 3/4 Woodruff Key (#606)		3
17	2620-3	Rubber Flap	1	F066	1/4 x 1/4 x 3/4 Key		1
18	2620-2	Backing Plate	1	F067	3/16 x 3/16 x 1 Key		1
19	2619-4	PTO Shaft Guard	1	F123	1" External Snap Ring		4
20	5270	Bearing W/Collar (1")	1	F191	3/8 x 1-1/2 x 3/16 Washer		1
21	2726	PTO Bearing Housing	1	F206	#2 x 3/16 Drive Pin		2
22	2726-4	PTO Drive Shaft	1	F226	5/16-18 x 7/8 Hex Bolt		4
23	5270-1	Ball Bearing	1	F262	3/8-16 x 4 Hex Bolt All Thread		1
24	2240-11	Drive Pulley (3-3/4)	1	F265	1/2-20 x 1-1/2 Hex Bolt		3
25	2245-6	Idler Pulley Shaft	2	F306	3/8-16 x 3/4 Hex Bolt		5
26	7245-2	Idler Pulley	1	F318	3/8-16 x 3/4 SQH Set Screw		2
27	8285-4	U-Joint Shaft Assembly, Spline (Includes Item # F318)	1	F336	3/8-16 Jam Nut		1
28	2724-14	Idler Mount Weldment	1	F388	3/8-16 x 2-1/2 Hex Bolt		1
29	5195-2	Compression Spring (1 x 6-3/8) (Black)	2	F404	5/8-18 Jam Nut		3
30	2724-17	Guide Rod Bushing	4	F405	3/8-16 x 1-1/2 FHA Screw, SS		2
31	2725-8	Mount Base	1	F408	7/16-20 Jam Nut		2
32	2723-16	Guide Rod (8-5/8) Clear Zinc	2	F445	1-7/8 Internal Snap Ring		1
33	2724-19	Guide Rod Stop	1	F458	Washer 1-1/4 x 5/8 x 3/16		3
34	2240-6	Blade Drive Pulley (3-1/8) W/Shield	3	F478	5/16-18 x 3-1/4 Hex Bolt		4
35	8245	Idler Pulley (6")	2	F551	5/16-18 Flange Top Lock Nut		4
36	2731-2	Blade Drive Belt (1150L4-K)	1	F571	5/16-18 x 7/8 Carriage Bolt		4
37	2265	Bearing (20mm)	1				
38	2245-2	Idler Pulley	1				

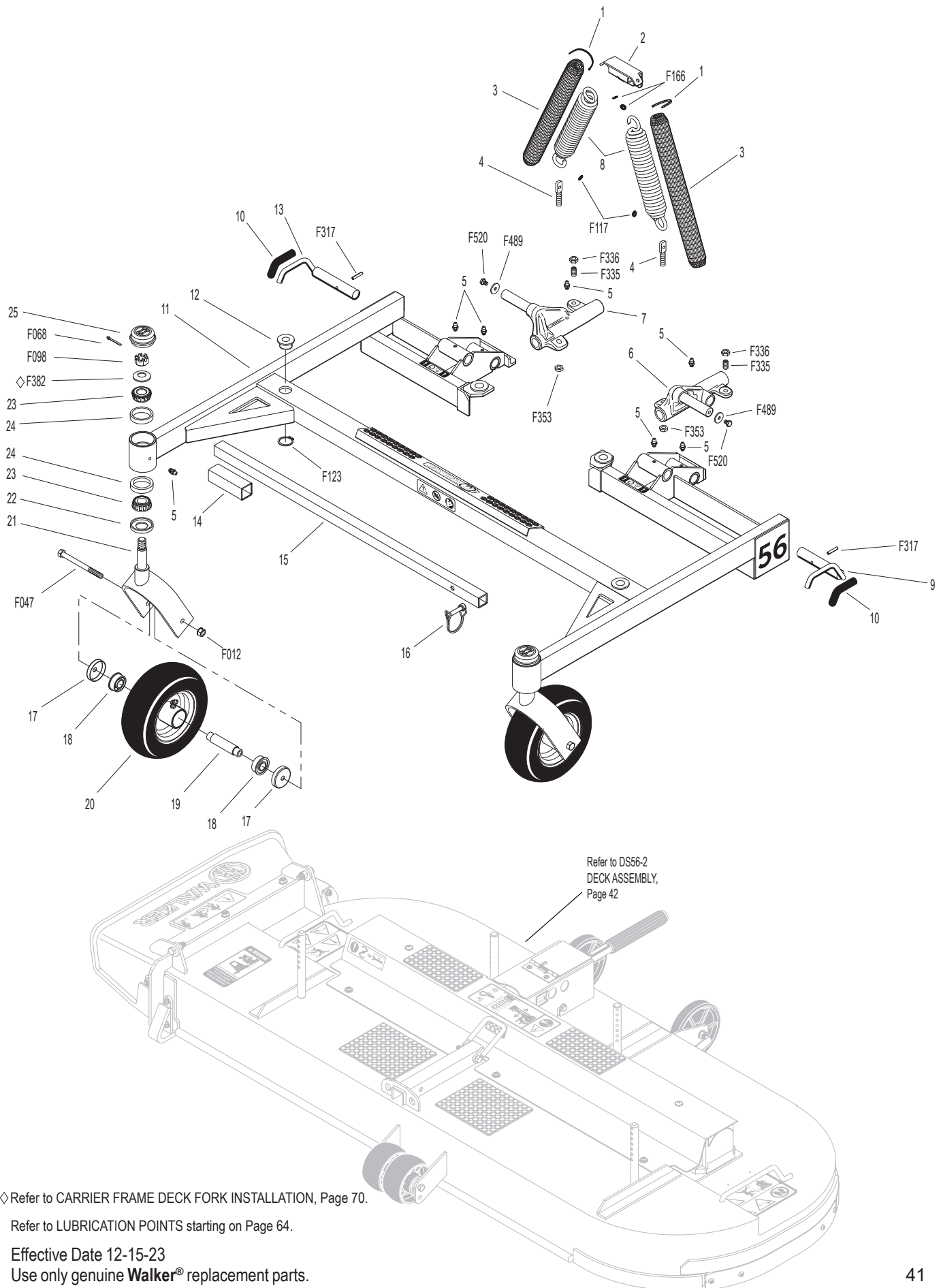


# DS56-2 COMPLETE CARRIER FRAME ASSEMBLY

ITEM NO.	PART NO.	DESCRIPTION	NO. REQ'D	ITEM NO.	PART NO.	DESCRIPTION	NO. REQ'D
<b>Spring and Pivot Mount Components</b>				<b>Caster Wheel Components</b>			
1	5975-3	Cable Tie (50# x 7")	4	17	8769-11	Bearing Cup (3/8 ID)	4
2	5744-4	Spring Clip Bracket	1	18	5714-11	Bearing	4
3	5743-1	Spring Cover	2	19	5714-10	Axle Tube (3.417)	2
4	5743-3	Eyebolt (3/8-16 x 2)	2	20	5715-23	Caster Wheel & Tire/No-Flat (8 x 3.00-4) W/Cups (Includes Items # 17-19)	2
5	5830	Grease Fitting	8	21	5770-1	Caster Wheel Fork	2
6	8667-3	Pivot Mount Assembly, LH/Adj. (Includes Items # 5, F353, F489 & F520)	1	22	8768-1	Seal (1-3/4 x 1-1/8)	2
7	8667-4	Pivot Mount Assembly, RH/Adj. (Includes Items # 5, F353, F489 & F520)	1	23	8037	Bearing Cone (3/4 ID)	4
8	5743-6	Extension Spring, Green (1-1/2 x 7-3/4) (Includes Items # 1, F117 & F166)	2	24	8769-1	Bearing Cup (1-3/4 x 1-7/16)	4
<b>Carrier Frame Components</b>				<b>Fasteners</b>			
9	8674-11	Lever, Deck Lock, LH	1	F012		3/8-16 Keps Nut	2
10	7406-1	Handle Grip, Red	2	F047		3/8-16 x 4-1/2 Hex Bolt	2
11	6720-1	56 SD Carrier Frame (Includes Item # 24)	1	F068		1/8 x 1 Cotter Pin	2
12	5740-2	Deck Pin Bushing (5/8)	4	F098		5/8-18 Slotted Hex Nut	2
13	8674-10	Lever, Deck Lock, RH	1	F117		Retainer Ring	2
14	5850-5	Handle Grip (1 x 1 x 3-3/4)	1	F123		1" External Snap Ring	4
15	6811-25	Tilt Bar With Grip (30") (Includes Item # 14)	1	F166		Retainer Ring	2
16	7775-5	Lock Pin (5/16 x 1-5/8)	1	F317		3/16 x 1 Split Spring Pin	2
				F335		3/8-16 x 7/8 Set Screw, SS	2
				F336		3/8-16 Jam Nut	2
				F353		3/8-16 ESNA LP Nut	2
				F382		Belleville Washer .650 x 1.36	2
				F489		Washer 1/4 x 7/8 x .090	2
				F520		1/4-28 x 3/8 Hex Bolt	2



# DS56-2 COMPLETE CARRIER FRAME ASSEMBLY



◇ Refer to CARRIER FRAME DECK FORK INSTALLATION, Page 70.

Refer to LUBRICATION POINTS starting on Page 64.

Effective Date 12-15-23

Use only genuine Walker® replacement parts.

# DS56-2 DECK ASSEMBLY

ITEM NO.	PART NO.	DESCRIPTION	NO. REQ'D	ITEM NO.	PART NO.	DESCRIPTION	NO. REQ'D
<b>Gearbox and Drive Components</b>				36	6720-11	56 SD Deck Housing (Includes Items # 18-20, 25, 33, F004, F442, F601 & F602)	1
1	8618-1	Cover, PTO Shaft Guard	1	37	7775-2	Hitch Pin, RH (Gold) #6	2
2	8619-2	PTO Shaft Guard	1	38	6707-6	56 SD Skid Bar	1
	8618-3	PTO Shaft Guard Assembly (Includes Items # 1, 2, F002 & F025)	*	39	5709-19	Rubber Shield	1
3	5285-5	U-Joint Shaft, Splined (Keyed) (Includes Items # F065, F076 & F318)	1	40	6706-9	Discharge Shield Frame	1
4	6711-15	56 SD Gearbox and Tube Assembly, HD (Includes Items # 5-17, F004 & F136)	1	41	6706-10	Center Backup Plate	1
5	5052-9	HD Gearbox (1:1.2) CCW-CCW (Includes Item # 16)	1	42	5727-1	Washer Shim (5/8 ID)	4
6	5704-1	Gearbox Cover Support	2	43	7434-1	Washer 1-3/8 x 5/8-1/2 Thick	4
7	6054	Spline Coupling	5	<b>Fasteners</b>			
8	5068-6	O-Ring (1-7/8 x 2)	6	F002	10-24 Keps Nut		2
9	5069-2	Connector Tube (14.530)	1	F004	1/4-20 Keps Nut		31
10	6733-9	Connecting Shaft (12-1/8)	1	F009	5/16-18 Whiz Locknut		1
11	5058-3	HD Tee Gearbox (1:1.2 Ratio) (Includes Item # 16)	1	F013	3/8-16 Whiz Locknut		2
12	5060-2	Connector Tube (2.343)	1	F014	3/8-16 ESNA Nut		2
13	6733-3	Connecting Shaft (6-1/4)	1	F020	5/16-18 ESNA Nut		1
14	5063-2	Connector Tube (8.655)	1	F025	10-24 x 3/8 PPHMS		2
15	5053-7	HD Gearbox (1:1.2) CW-CCW (Includes Item # 16)	1	F029	1/4-20 x 1/2 Hex Bolt		2
16	5589-1	1/4-20 x 1-1/2" Stud	24	F032	1/4-20 x 3/4 Hex Bolt		2
17	5051-5	HD Tee Gearbox (1:1) CW-CW & CCW (Includes Item # 16)	1	F038	3/8-16 x 1 Hex Bolt		6
18	6786-3	56 SD Gearbox Cover (Includes Items # 19 & 20)	1	F039	3/8-16 x 1-1/4 Hex Bolt		2
19	5747-10	Rubber Mat, No-Hole (3 x 6)	2	F050	1/4 SAE Washer		7
20	8788-1	Rubber Mat (1 x 2)	1	F051	3/8 SAE Washer		2
<b>Deck Housing Components</b>				F059	3/8 Wave Spring Washer		4
21	8670-8	Tilt-Up Hook	1	F065	3/16 x 3/4 Woodruff Key (#606)		1
22	5162-12	Roller Wheel (5" Poly) (Includes Items # 23, F013 & F059)	2	F076	3/8-16 x 5/8 SQH Set Screw		1
23	8490	Roller Wheel Axle Bolt	2	F136	AN960C416L Washer		24
24	NS	Deck Serial Number Plate	1	F169	5/16-18 x 1 Carriage Bolt		3
25	7703-12	Replaceable Wear Edge (Includes Items # F601 & F602)	1	F170	5/16 x 1 x 7/64 Flat Washer (Zinc Plate)		2
26	7705-56	LH/Center/RH Blade, 20" (RH Rotation)	3	F206	#2 x 3/16 Drive Pin		2
27	8691-5	Lower Blade Spacer	6	F208	5/16-18 x 2-1/4 Hex Bolt		1
28	8691-6	Upper Blade Spacer	3	F211	1/4-20 x 7/8 Hex Bolt		2
29	5706	Blade Hub & Trash Guard	3	F246	1/4-20 x 1/2 PTHMS		2
30	8691-7	Spacer T-Nut	3	F278	3/8 Split Lock Washer		6
31	6715-3	Roller Wheel Bearing	4	F318	3/8-16 x 3/4 SQH Set Screw		1
32	7775-1	Hitch Pin, LH (Silver) #6	2	F322	10-24 x 3/4 SHC Screw, GR5 SS		6
33	8735-10	Rubber Mat (5 x 6)	2	F371	5/16-18 x 6 Hex Bolt		1
34	6715-6	Axle Spacer Tube	2	F442	1/4-20 x 5/8 PTHMS		3
35	6715-2	Roller Wheel	2	F517	Washer 3/8 x 1-1/8 x 1/8		6
				F551	5/16-18 Flange Top Lock Nut		5
				F568	10-24 Flange Top Lock Nut		6
				F571	5/16-18 x 7/8 Carriage Bolt		2
				F601	1/4-20 x 3/8 Torx Button Head		4
				F602	1/4-20 x 1/4 T-Nut		4
				F657	1" Serrated Safety Washer		3
				F661	3/8-16 x 1-1/4 Low Profile Socket Head Cap Screw		6
				F662	3/8-16 ESNA Nut Grade 8		6

\* Service Part Only

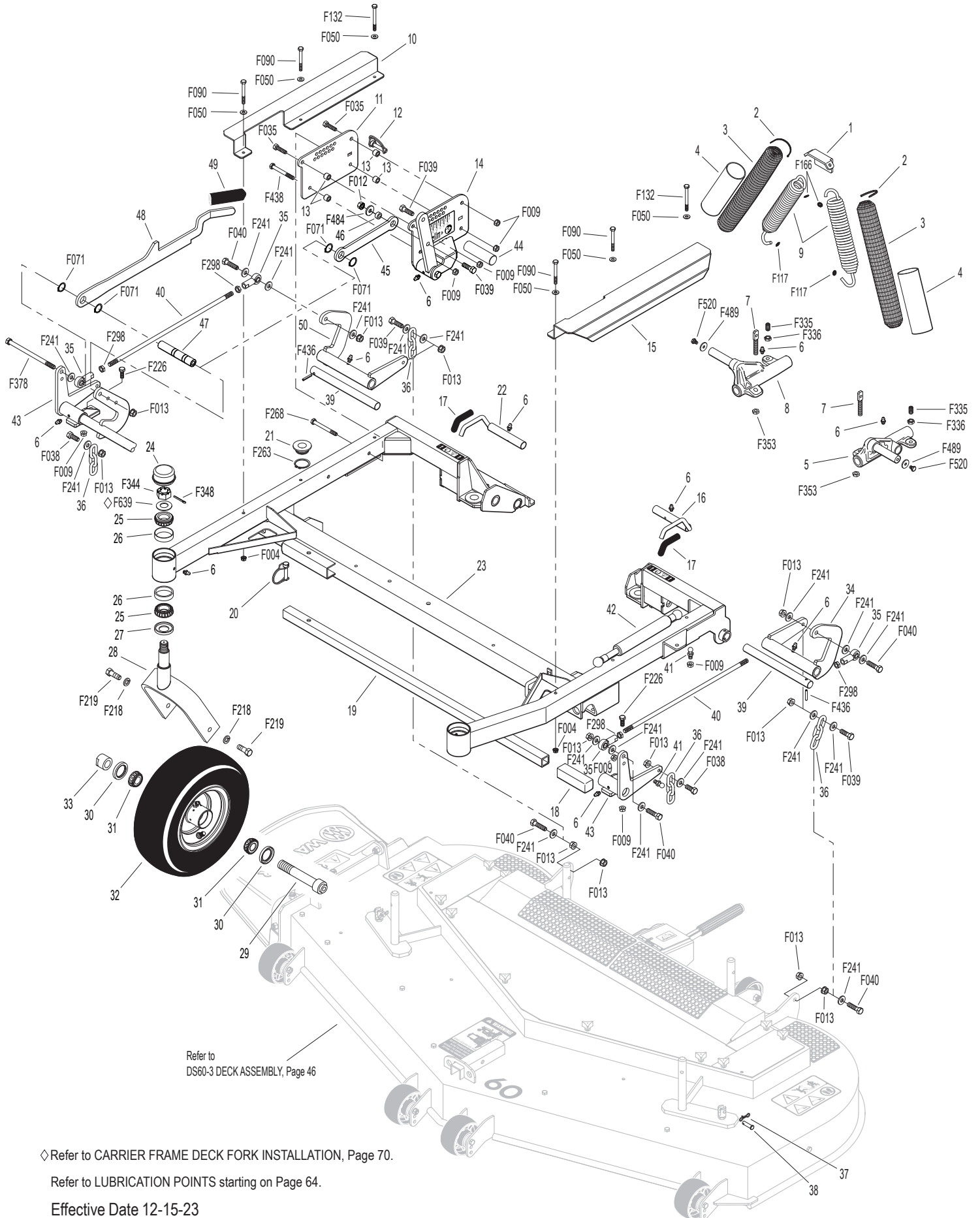




# DS60-3 COMPLETE CARRIER FRAME ASSEMBLY

ITEM NO.	PART NO.	DESCRIPTION	NO. REQ'D	ITEM NO.	PART NO.	DESCRIPTION	NO. REQ'D
<b>Spring and Pivot Mount Components</b>				39	2722-3	Pivot Shaft	2
1	2744-1	Spring Clip Bracket	1	40	2215-14	Height Adjustment Rod	2
2	5975-3	Cable Tie (50# x 7")	4	41	7146	13mm Ball Stud	2
3	5743-1	Spring Cover	2	42	2215-9	Gas Spring Assembly	1
4	5743-9	Spring Tube Cover	2	43	2721-6	Lifting Arm Assembly (Includes Item # 6)	1
5	8667-3	Pivot Mount Assembly, LH/Adj. (Includes Items # 6, F353, F489 & F520)	1	44	2722-8	Foot Pedal	1
6	5830	Grease Fitting	11	45	2722-14	Pedal Link	1
7	5743-4	Eyebolt (3/8-16 x 2-3/4)	2	46	6325-8	Bushing (.375 x .625 x .280)	1
8	8667-4	Pivot Mount Assembly, RH/Adj. (Includes Items # 6, F353, F489 & F520)	1	47	2721-7	Lifting Cross Tube	1
9	5743-6	Extension Spring, Green (1-1/2 x 7-3/4) (Includes Items # 2, F117 & F166)	2	48	2723-3	Height Adjustment Arm (Includes Item # 49)	1
<b>Carrier Frame Components</b>				49	5850-3	Handle Grip, Foam (3-1/4)	1
10	2215-12	Gas Spring Cover, RH	1	50	2722-12	Deck Height Adjustment, RH (Includes Item # 6)	1
11	2723-112	Outer Height Adjustment Plate	1	<b>Fasteners</b>			
12	7775-9	Wire Lock Pin (5/16 x 1-3/8)	1	F004	1/4-20 Keps Nut	6	
13	2720-3	Height Adjustment Spacer	4	F009	5/16-18 Whiz Locknut	9	
14	2722-45	Adjustment Plate / Pedal Mount	1	F012	3/8-16 Keps Nut	1	
15	2215-13	Gas Spring Cover, LH	1	F013	3/8-16 Whiz Locknut	12	
16	8674-11	Lever, Deck Lock, LH	1	F035	5/16-18 x 1-1/4 Hex Bolt	2	
17	7406-1	Handle Grip (Red)	2	F038	3/8-16 x 1 Hex Bolt	2	
18	5850-5	Handle Grip (1 x 1 x 3-3/4)	1	F039	3/8-16 x 1-1/4 Hex Bolt	4	
19	8811-25	Tilt Bar W/Grip (35") (Includes Item # 18)	1	F040	3/8-16 x 1-1/2 Hex Bolt	5	
20	7775-5	Lock Pin (5/16 x 1-5/8)	1	F050	1/4 SAE Washer	6	
21	8740	Deck Pin Bushing (3/4 ID)	4	F071	3/4 External Snap Ring	4	
22	8674-10	Lever, Deck Lock, RH	1	F090	1/4-20 x 2-1/2 Hex Bolt	4	
23	2911-10	DS60-3 Carrier Frame (Includes Items # 6 & 26)	1	F117	Retainer Ring	2	
<b>Caster Wheel Components</b>				F132	1/4-20 x 2-3/4 Hex Bolt	2	
24	8769-8	Dust Cap, Deck Caster	2	F166	Retainer Ring	2	
25	8769-6	Bearing Cone (1" ID)	4	F218	7/16 Split Lock Washer	4	
26	8769-5	Bearing Cup (2 x 1-5/8)	4	F219	7/16-14 x 1-1/4 Hex Bolt	4	
27	8769-7	Seal	2	F226	5/16-18 x 7/8 Hex Bolt	4	
28	8765-16	Caster Wheel Fork (1" Longer)	2	F241	.375 x .875 x .10 Washer	18	
29	8767	Axle, Wheel Caster (5-1/8)	2	F263	1-1/4 External Snap Ring	4	
30	8768-2	Seal, Reverse Lip	4	F268	5/16-18 x 3 Hex Bolt	1	
31	8037	Bearing Cone (3/4 ID)	4	F298	3/8-24 Jam Nut	4	
32	8768-7	Caster Wheel, Pneumatic (11 x 4.00-5)	2	F335	3/8-16 x 7/8 Set Screw, SS	2	
	8768-3	Tire, Pneumatic (11 x 4.00-5)	*	F336	3/8-16 Jam Nut	2	
	8768-5	Caster Wheel (5 x 3)	*	F344	3/4-16 Slotted Hex Nut	2	
33	8766	Axle Nut (3/4-16)	2	F348	1/8 x 1-1/2 Cotter Pin	2	
<b>Deck Lift Components</b>				F353	3/8-16 ESNA LP Nut	2	
34	2722-17	Deck Height Adjustment, LH (Includes Item # 6)	1	F378	3/8-16 x 6 Hex Bolt	1	
35	2214-10	Rod End, Female (3/8-24)	4	F436	3/16 x 1-1/8 Roll Pin	2	
36	2655	Lift Chain	4	F438	5/16-18 x 2-3/4 Hex Bolt	1	
37	4407-4	Bow Tie Cotter Pin	2	F484	Washer .380 ID x 1.0 OD x .120	1	
38	7523-6	Clevis Pin W/Hole (5/16 x 1-1/8)	2	F489	Washer 1/4 x 7/8 x .090	2	
				F520	1/4-28 x 3/8 Hex Bolt	2	
				F639	Belleville Washer (1.5 x .755 x .072)	2	
				* Service Part Only			

# DS60-3 COMPLETE CARRIER FRAME ASSEMBLY



Refer to  
DS60-3 DECK ASSEMBLY, Page 46

◇ Refer to CARRIER FRAME DECK FORK INSTALLATION, Page 70.

Refer to LUBRICATION POINTS starting on Page 64.

Effective Date 12-15-23

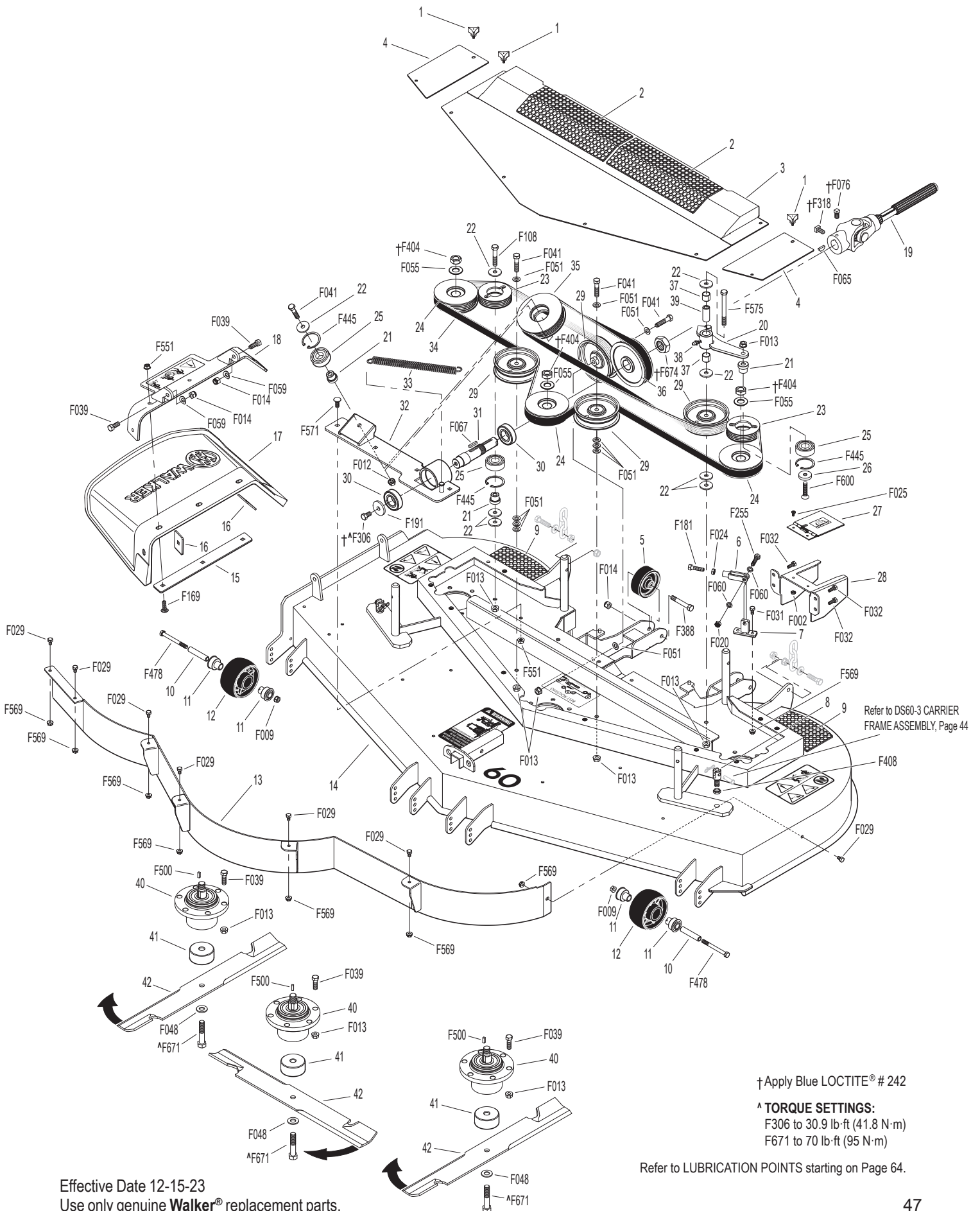
Use only genuine **Walker®** replacement parts.

# DS60-3 DECK ASSEMBLY

ITEM NO.	PART NO.	DESCRIPTION	NO. REQ'D	ITEM NO.	PART NO.	DESCRIPTION	NO. REQ'D
<b>Deck Housing Components</b>				<b>Blade Spindle Components</b>			
1	2703-5	Knob, 10-24 x 1/2	10	40	8052-5	Blade Spindle	3
2	8735-12	Rubber Mat (5 x 12)	2	41	8691-15	Blade Spacer	3
3	2786-71	Belt Cover (Includes Item # 2)	1	42	7705-57	LH/Center/RH Blade, 20.75 (RH Rotation)	3
4	2725-24	Spindle Cover	2	<b>Fasteners</b>			
5	6715-7	Roller Wheel (3") (Includes Items # F014 & F388)	2	F002	10-24 Keps Nut		2
6	5280-3	Clevis (5/16)	1	F009	5/16-18 Whiz Locknut		4
7	2725-16	Clevis Mount	1	F012	3/8-16 Keps Nut		1
8	2720-8	Deck Height Adjustment Clevis	2	F013	3/8-16 Whiz Locknut		24
9	8735-1	Rubber Mat	2	F014	3/8-16 ESNA Nut		4
10	6715-6	Axle Spacer Tube	4	F020	5/16-18 ESNA Nut		1
11	6715-3	Roller Wheel Bearing	8	F024	5/16-24 Jam Nut		1
12	6715-2	Roller Wheel	4	F025	10-24 x 3/8 PPHMS		2
13	2691-47	Baffle, DS60-3	1	F029	1/4-20 x 1/2 Hex Bolt		7
14	2910-13	DS60 Deck Housing (Includes Item # 9)	1	F031	1/4-20 x 5/8 Hex Bolt		2
15	2705-12	Center Backup Plate	1	F032	1/4-20 x 3/4 Hex Bolt		4
16	2705-13	End Backup Plate	2	F039	3/8-16 x 1-1/4 Hex Bolt		20
17	2809-4	Rubber Shield	1	F041	3/8-16 x 1-3/4 Hex Bolt		4
18	2705-14	Chute Frame	1	F048	1/2 SAE Washer		3
<b>Blade Drive Components</b>				F051	3/8 SAE Washer		9
19	7285-4	U-Joint Shaft, Spline (Keyed) (Includes Items # F065, F076 & F318)	1	F055	5/8 SAE Washer		3
20	2725-15	Idler Arm (Includes Items # 37 & 38)	1	F059	3/8 Wave Spring Washer		2
21	5245-6	Idler Pulley Shaft	3	F060	AN960516 Washer		2
22	5841	Retainer Washer (3/8 x 1-1/4)	8	F065	3/16 x 3/4 Woodruff Key (#606)		1
23	5245-4	Idler Pulley, Micro-V (3.25)	2	F067	3/16 x 3/16 x 1 Key		1
24	2240-14	Blade Pulley (4")	3	F076	3/8-16 x 5/8 SQH Set Screw		1
25	2265	Bearing (20mm)	3	F108	3/8-16 x 2 Hex Bolt		1
26	6545-3	Countersunk Washer	1	F169	5/16-18 x 1 Carriage Bolt		3
27	8618-1	Cover, PTO Shaft Guard	1	F181	5/16-24 x 1 Hex Bolt		1
28	2619-26	PTO Shaft Guard	1	F191	3/8 x 1-1/2 x 3/16 Washer		1
29	7245-2	Idler Pulley	4	F255	5/16-18 x 1-1/2 Hex Bolt		1
30	5270-1	Ball Bearing	2	F306	3/8-16 x 3/4 Hex Bolt		1
31	2726-7	PTO Drive Shaft	1	F318	3/8-16 x 3/4 SQH Set Screw		1
32	2726-8	PTO Bearing Housing	1	F388	3/8-16 x 2-1/2 Hex Bolt		2
33	5221-7	Extension Spring (1 x 6)	1	F404	5/8-18 Jam Nut		3
34	2731-7	Blade Drive Belt (1400L4-K)	1	F408	7/16-20 Jam Nut		2
35	2245-2	Idler Pulley	1	F445	1-7/8 Internal Snap Ring		3
36	2240-15	Drive Pulley (4.5)	1	F478	5/16-18 x 3-1/4 Hex Bolt		4
37	7201-3	Fiberglide Bearing	2	F500	3/16 x 3/16 x 9/16 Key		3
38	5830	Grease Fitting	1	F551	5/16-18 Flange Top Lock Nut		9
39	7201-4	Inner Race (1-1/2)	1	F569	1/4-20 Flange Top Lock Nut		9
				F571	5/16-18 x 7/8 Carriage Bolt		4
				F575	3/8-16 x 3-3/4 Hex Bolt		1
				F600	3/8-16 x 1-3/4 FHA Screw (Zinc)		1
				F671	1/2-20 x 2-1/2 Hex Bolt		3
				F674	1"-14 Hex Nut/LP		1



# DS60-3 DECK ASSEMBLY



Refer to DS60-3 CARRIER FRAME ASSEMBLY, Page 44

† Apply Blue LOCTITE® # 242

^ TORQUE SETTINGS:  
 F306 to 30.9 lb-ft (41.8 N-m)  
 F671 to 70 lb-ft (95 N-m)

Refer to LUBRICATION POINTS starting on Page 64.

Effective Date 12-15-23  
 Use only genuine Walker® replacement parts.

# DS61-3 COMPLETE CARRIER FRAME ASSEMBLY

ITEM NO.	PART NO.	DESCRIPTION	NO. REQ'D	ITEM NO.	PART NO.	DESCRIPTION	NO. REQ'D
<b>Spring and Pivot Mount Components</b>				36	2722-4	Pivot Shaft, LH	1
1	2744-1	Spring Clip Bracket	1	37	2655	Lift Chain	4
2	5975-3	Cable Tie (50# x 7")	4	38	4407-4	Bow Tie Cotter Pin	2
3	5743-12	Spring Cover	2	39	7523-6	Clevis Pin W/Hole (5/16 x 1-1/8)	2
4	5743-13	Extension Spring (Includes Items # 3, F545 & F548)	2	40	2215-4	Height Adjustment Rod	2
5	2723-10	Counter Weight Spring Mount	2	41	7146	13mm Ball Stud	2
6	2723-19	Locking Arm, LH (Includes Item # F432)	1	42	7147	Spring Clip	2
7	5830	Grease Fitting	10	43	2215-9	Gas Spring Assembly	1
8	2667-1	Pivot Mount, LH (Includes Item # 7)	1	44	2721-1	Lifting Arm (Includes Item # 7)	1
9	2723-4	Pivot Shaft	2	45	2721-2	Lifting Cross Tube	1
10	2667-2	Pivot Mount, RH (Includes Item # 7)	1	46	2723-3	Height Adjustment Arm (Includes Item # 47)	1
11	2723-15	Locking Arm, RH (Includes Item # F432)	1	47	5850-3	Handle Grip, Foam (3-1/4)	1
<b>Carrier Frame Components</b>				48	2722-7	Foot Pedal Pad	1
12	2215-12	Gas Spring Cover, RH	1	49	2722-2	Deck Height Adjustment Trigger (Includes Item # 7)	1
13	2723-2	Outer Height Adjustment Plate	1	50	2722-3	Pivot Shaft, RH	1
14	7775-9	Wire Lock Pin (5/16 x 1-3/8)	1	<b>Fasteners</b>			
15	2720-3	Height Adjustment Spacer	4	F004	1/4-20 Keps Nut	6	
16	2723-1	Inner Height Adjustment Plate	1	F009	5/16-18 Whiz Locknut	11	
17	2215-13	Gas Spring Cover, LH	1	F013	3/8-16 Whiz Locknut	14	
18	8740	Deck Pin Bushing (3/4 ID)	4	F035	5/16-18 x 1-1/4 Hex Bolt	2	
19	2911-9	DS61-3 Carrier Frame (Includes Items # 7 & 25)	1	F038	3/8-16 x 1 Hex Bolt	2	
20	7775-5	Lock Pin (5/16 x 1-5/8)	1	F039	3/8-16 x 1-1/4 Hex Bolt	2	
21	8811-25	Tilt Bar W/Grip (35") (Includes Item # 22)	1	F040	3/8-16 x 1-1/2 Hex Bolt	5	
22	5850-5	Handle Grip (1 x 1 x 3-3/4)	1	F048	1/2 SAE Washer	2	
<b>Caster Wheel Components</b>				F050	1/4 SAE Washer	6	
23	8769-8	Dust Cap, Deck Caster	2	F071	3/4 External Snap Ring	2	
24	8769-6	Bearing Cone (1" ID)	4	F090	1/4-20 x 2-1/2 Hex Bolt	4	
25	8769-5	Bearing Cup (2 x 1-5/8)	4	F132	1/4-20 x 2-3/4 Hex Bolt	2	
26	8769-7	Seal	2	F205	5/16-18 x 1/4 Set Screw (Knurl Point)	2	
27	2770	Caster Wheel Fork	2	F215	3/8-16 x 1/2 x 1/2 S Bolt	2	
28	7038	Wheel Axle (3/4 x 5-9/16)	2	F218	7/16 Split Lock Washer	4	
29	8768-2	Seal, Reverse Lip	4	F219	7/16-14 x 1-1/4 Hex Bolt	4	
30	8037	Bearing Cone (3/4 ID)	4	F226	5/16-18 x 7/8 Hex Bolt	5	
31	8035-1	Wheel & Tire (13 x 4.5-6) (W/Bearing Race)	2	F241	.375 x .875 x .10 Washer	18	
32	8038-1	Spacer, Wheel Axle (.750 ID x 1.125 OD)	2	F263	1-1/4 External Snap Ring	6	
33	8039	Nut, Wheel Axle	2	F268	5/16-18 x 3 Hex Bolt	1	
<b>Deck Lift Components</b>				F298	3/8-24 Jam Nut	4	
34	2722-1	Deck Height Adjustment, LH (Includes Item # 7)	1	F344	3/4-16 Slotted Hex Nut	2	
35	2214-10	Rod End, Female (3/8-24)	4	F348	1/8 x 1-1/2 Cotter Pin	2	
				F378	3/8-16 x 6 Hex Bolt	1	
				F432	3/16 x 1/2 Split Spring Pin	2	
				F436	3/16 x 1-1/8 Roll Pin	4	
				F438	5/16-18 x 2-3/4 Hex Bolt	1	
				F545	Retention Washer (.250 Wire)	2	
				F548	Retention Ring (.235 Wire)	2	
				F639	Belleville Washer (1.5 x .755 x .072)	2	

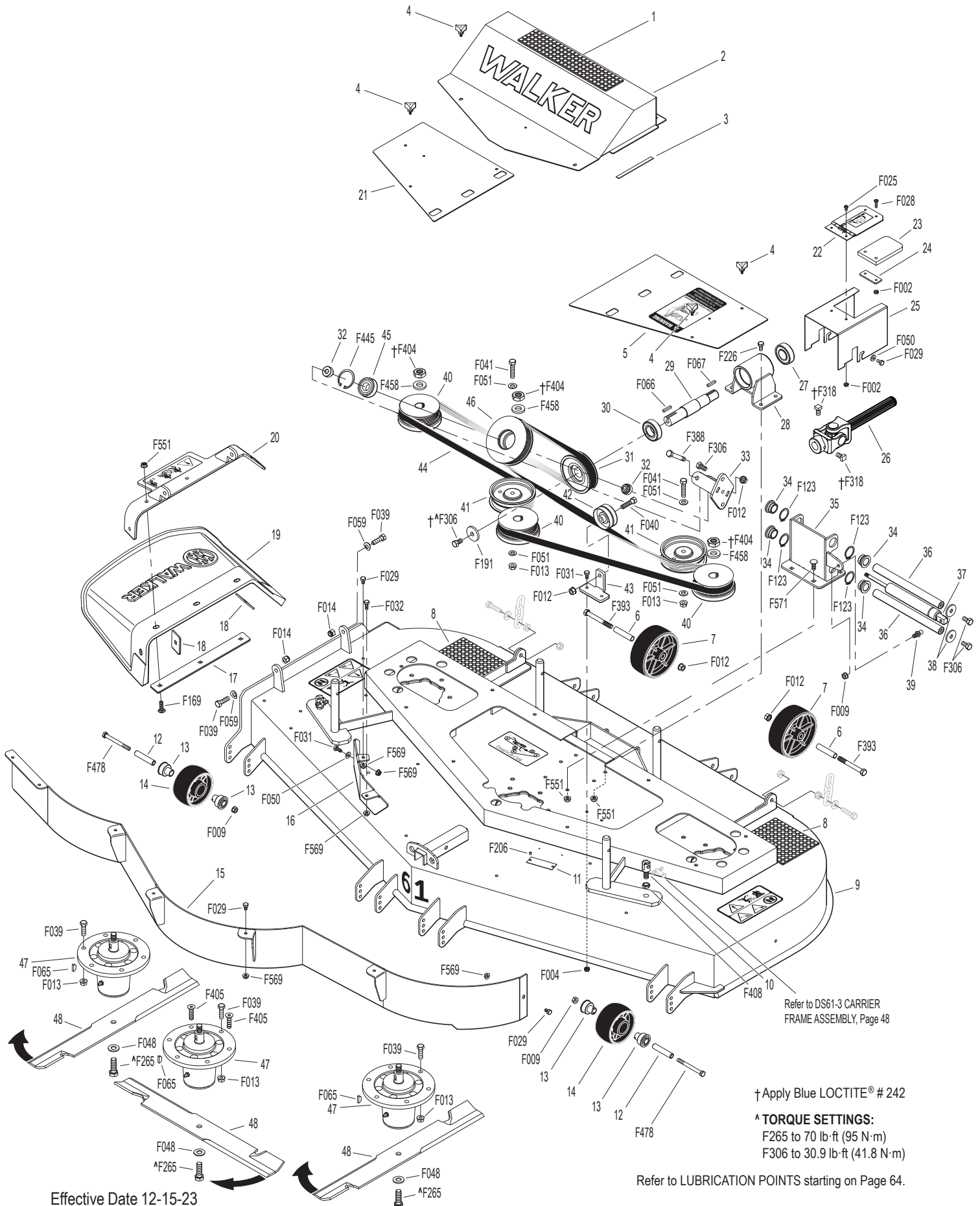


# DS61-3 DECK ASSEMBLY

ITEM NO.	PART NO.	DESCRIPTION	NO. REQ'D	ITEM NO.	PART NO.	DESCRIPTION	NO. REQ'D	
<b>Deck Housing Components</b>				<b>Blade Spindle Components</b>				
1	8735-8	Rubber Mat (2-1/2 x 12)	1	47	2052-1	Blade Spindle	3	
2	2787	DS61-3 Belt Cover (Includes Item # 1)	1	48	7705-30	LH/Center/RH Blade, 21" (RH Rotation)	3	
3	8790	Rubber Cushion Strip	2	<b>Fasteners</b>				
4	2703-5	Knob, 10-24 x 1/2	9		F002	10-24 Keps Nut	4	
5	2725-13	Spindle Cover, LH	1		F004	1/4-20 Keps Nut	2	
6	8745-15	Axle Spacer Tube	2		F009	5/16-18 Whiz Locknut	5	
7	5162-2	Roller Wheel (2 x 5)	2		F012	3/8-16 Keps Nut	4	
8	8735-10	Rubber Mat (5 x 6)	2		F013	3/8-16 Whiz Locknut	20	
9	2910-11	DS61-3 Deck Housing (Includes Item # 8)	1		F014	3/8-16 ESNA Nut	2	
10	2720-8	Deck Height Adjustment Clevis	2		F025	10-24 x 3/8 PPHMS	2	
11	NS	Deck Serial Number Plate	1		F028	10-24 x 3/4 PPHMS	2	
12	6715-6	Axle Spacer Tube	4		F029	1/4-20 x 1/2 Hex Bolt	10	
13	6715-3	Roller Wheel Bearing	8		F031	1/4-20 x 5/8 Hex Bolt	3	
14	6715-2	Roller Wheel	4		F032	1/4-20 x 3/4 Hex Bolt	1	
15	2691-12	Baffle, DS61-3	1		F039	3/8-16 x 1-1/4 Hex Bolt	18	
16	2691-9	Bolt In Baffle, DS61-3	1		F040	3/8-16 x 1-1/2 Hex Bolt	1	
17	2705-12	Center Backup Plate	1		F041	3/8-16 x 1-3/4 Hex Bolt	2	
18	2705-13	End Backup Plate	2		F048	1/2 SAE Washer	3	
19	2809-4	Rubber Shield, 61	1		F050	1/4 SAE Washer	3	
20	2705-14	Chute Frame, DS61-3	1		F051	3/8 SAE Washer	4	
21	2725-14	Spindle Cover, RH	1		F059	3/8 Wave Spring Washer	2	
<b>Blade Drive Components</b>						F065	3/16 x 3/4 Woodruff Key (#606)	3
22	2618-1	Cover, PTO Shaft Guard	1		F066	1/4 x 1/4 x 3/4 Key	1	
23	2620-3	Rubber Flap	1		F067	3/16 x 3/16 x 1 Key	1	
24	2620-2	Backing Plate	1		F123	1" External Snap Ring	4	
25	2619-3	PTO Shaft Guard	1		F169	5/16-18 x 1 Carriage Bolt	5	
	2618-4	PTO Shaft Guard Assembly (Includes Items # 22-25, F002, F025 & F028)	*		F191	3/8 x 1-1/2 x 3/16 Washer	1	
26	8285-3	U-Joint Shaft Assembly, Spline (Includes Item # F318)	1		F206	#2 x 3/16 Drive Pin	2	
27	5270	Bearing W/Collar (1")	1		F226	5/16-18 x 7/8 Hex Bolt	4	
28	2726	PTO Bearing Housing	1		F265	1/2-20 x 1-1/2 Hex Bolt	3	
29	2726-4	PTO Drive Shaft	1		F306	3/8-16 x 3/4 Hex Bolt	5	
30	5270-1	Ball Bearing	1		F318	3/8-16 x 3/4 SQH Set Screw	2	
31	2240-11	Drive Pulley (3-3/4)	1		F388	3/8-16 x 2-1/2 Hex Bolt	1	
32	2245-6	Idler Pulley Shaft	2		F393	3/8-16 x 3-1/4 Hex Bolt	2	
33	2725-12	Idler Mount Weldment	1		F404	5/8-18 Jam Nut	3	
34	2724-17	Guide Rod Bushing	4		F405	3/8-16 x 1-1/2 FHA Screw, SS	2	
35	2725-9	Mount Base	1		F408	7/16-20 Jam Nut	2	
36	2723-16	Guide Rod (8-5/8) Clear Zinc	2		F445	1-7/8 Internal Snap Ring	1	
37	2215-10	Deck Belt Dampener	1		F458	Washer 1-1/4 x 5/8 x 3/16	3	
38	5841	Retainer Washer (3/8 x 1-1/4)	2		F478	5/16-18 x 3-1/4 Hex Bolt	4	
39	5146	10mm Ball Stud	1		F551	5/16-18 Flange Top Lock Nut	13	
40	2240-7	Blade Drive Pulley (3.6) W/Shield	3		F569	1/4-20 Flange Top Lock Nut	10	
41	7245-2	Idler Pulley	2		F571	5/16-18 x 7/8 Carriage Bolt	4	
42	5245-5	Idler Pulley (2-1/4)	1	* Service Part Only				
43	5245-9	Idler Mount	1					
44	2731-6	Blade Drive Belt (126K)	1					
45	2265	Bearing (20mm)	1					
46	2245-2	Idler Pulley	1					



# DS61-3 DECK ASSEMBLY



Refer to DS61-3 CARRIER FRAME ASSEMBLY, Page 48

† Apply Blue LOCTITE® # 242  
 ^ TORQUE SETTINGS:  
 F265 to 70 lb-ft (95 N-m)  
 F306 to 30.9 lb-ft (41.8 N-m)

Refer to LUBRICATION POINTS starting on Page 64.

Effective Date 12-15-23  
 Use only genuine Walker® replacement parts.

## DS61-3 MULCHING KIT

ITEM NO.	PART NO.	DESCRIPTION	NO. REQ'D	ITEM NO.	PART NO.	DESCRIPTION	NO. REQ'D
<b>Kit 2692-1 Mulching Kit (For DS61-3 Deck Assembly)</b> Includes Items # 1, 2, F029, F031, F569 and instructions. May be ordered as a kit for dealer installation. Contact your Walker dealer. Refer also to <b>DS61-3 DECK ASSEMBLY</b> , page 50.				<b>Fasteners</b>			
1	2692	Mulch Baffle	1	F029		1/4-20 x 1/2 Hex Bolt	1
2	7705-38	LH/Center/RH Blade, 21" Mulch, Flat (RH Rotation)	3	F031		1/4-20 x 5/8 Hex Bolt	9
				F032		1/4-20 x 3/4 Hex Bolt	1
				F048		1/2 SAE Washer	3
				F265		1/2-20 x 1-1/2 Hex Bolt	3
				F569		1/4-20 Flange Top Lock Nut	10



# DR64-3 COMPLETE CARRIER FRAME ASSEMBLY

ITEM NO.	PART NO.	DESCRIPTION	NO. REQ'D	ITEM NO.	PART NO.	DESCRIPTION	NO. REQ'D
<b>Spring and Pivot Mount Components</b>				36	2722-3	Pivot Shaft	2
1	2744-1	Spring Clip Bracket	1	37	2655	Lift Chain	4
2	5975-7	Cable Tie (50# x 11")	4	38	4407-4	Bow Tie Cotter Pin	2
3	5743-12	Spring Cover	2	39	7523-6	Clevis Pin W/Hole (5/16 x 1-1/8)	2
4	5743-13	Extension Spring (Includes Items # 3, F545 & F548)	2	40	2215-4	Height Adjustment Rod	2
5	2723-10	Counter Weight Spring Mount	2	41	5146-1	10mm Ball Stud x 5/8	2
6	2723-19	Locking Arm, LH (Includes Item # F432)	1	42	5146	10mm Ball Stud	2
7	5830	Grease Fitting	10	43	2215	Gas Spring Assembly	2
8	2667-1	Pivot Mount, LH (Includes Item # 7)	1	44	2721-6	Lifting Arm Assembly (Includes Item # 7)	1
9	2723-4	Pivot Shaft	2	45	2721-2	Lifting Cross Tube	1
10	2667-2	Pivot Mount, RH (Includes Item # 7)	1	46	2723-3	Height Adjustment Arm (Includes Item # 47)	1
11	2723-15	Locking Arm, RH (Includes Item # F432)	1	47	5850-3	Handle Grip, Foam (3-1/4)	1
<b>Carrier Frame Components</b>				48	2722-7	Foot Pedal Pad	1
12	2215-12	Gas Spring Cover, RH	1	49	2722-2	Deck Height Adjustment Trigger (Includes Item # 7)	1
13	2723-2	Outer Height Adjustment Plate	1	<b>Fasteners</b>			
14	7775-9	Wire Lock Pin (5/16 x 1-3/8)	1	F004	1/4-20 Keps Nut	6	
15	2720-3	Height Adjustment Spacer	4	F009	5/16-18 Whiz Locknut	13	
16	2723-1	Inner Height Adjustment Plate	1	F013	3/8-16 Whiz Locknut	14	
17	2215-11	Gas Spring Cover, LH	1	F035	5/16-18 x 1-1/4 Hex Bolt	2	
18	8740	Deck Pin Bushing (3/4 ID)	4	F038	3/8-16 x 1 Hex Bolt	2	
19	2911-6	DR64-3 Carrier Frame (Includes Item # 25)	1	F039	3/8-16 x 1-1/4 Hex Bolt	2	
20	7775-5	Lock Pin (5/16 x 1-5/8)	1	F040	3/8-16 x 1-1/2 Hex Bolt	5	
21	8811-25	Tilt Bar W/Grip (35") (Includes Item # 22)	1	F048	1/2 SAE Washer	2	
22	5850-5	Handle Grip (1 x 1 x 3-3/4)	1	F050	1/4 SAE Washer	6	
<b>Caster Wheel Components</b>				F071	3/4 External Snap Ring	2	
23	8769-8	Dust Cap, Deck Caster	2	F090	1/4-20 x 2-1/2 Hex Bolt	4	
24	8769-6	Bearing Cone (1" ID)	4	F132	1/4-20 x 2-3/4 Hex Bolt	2	
25	8769-5	Bearing Cup (2 x 1-5/8)	4	F205	5/16-18 x 1/4 Set Screw (Knurl Point)	2	
26	8769-7	Seal	2	F215	3/8-16 x 1/2 x 1/2 S Bolt	2	
27	2770	Caster Wheel Fork	2	F218	7/16 Split Lock Washer	4	
28	7038	Wheel Axle (3/4 x 5-9/16)	2	F219	7/16-14 x 1-1/4 Hex Bolt	4	
29	8768-2	Seal, Reverse Lip	4	F226	5/16-18 x 7/8 Hex Bolt	5	
30	8037	Bearing Cone (3/4 ID)	4	F241	.375 x .875 x .10 Washer	18	
31	8035-1	Wheel & Tire (13 x 4.5-6) (W/Bearing Race)	2	F263	1-1/4 External Snap Ring	6	
32	8038-1	Spacer, Wheel Axle (.750 ID x 1.125 OD)	2	F268	5/16-18 x 3 Hex Bolt	1	
33	8039	Nut, Wheel Axle	2	F298	3/8-24 Jam Nut	4	
<b>Deck Lift Components</b>				F344	3/4-16 Slotted Hex Nut	2	
34	2722-1	Deck Height Adjustment, LH (Includes Item # 7)	1	F348	1/8 x 1-1/2 Cotter Pin	2	
35	2214-10	Rod End, Female (3/8-24)	4	F378	3/8-16 x 6 Hex Bolt	1	
				F432	3/16 x 1/2 Split Spring Pin	2	
				F436	3/16 x 1-1/8 Roll Pin	4	
				F438	5/16-18 x 2-3/4 Hex Bolt	1	
				F545	Retention Washer (.250 Wire)	2	
				F548	Retention Ring (.235 Wire)	2	
				F639	Belleville Washer (1.5 x .755 x .072)	2	

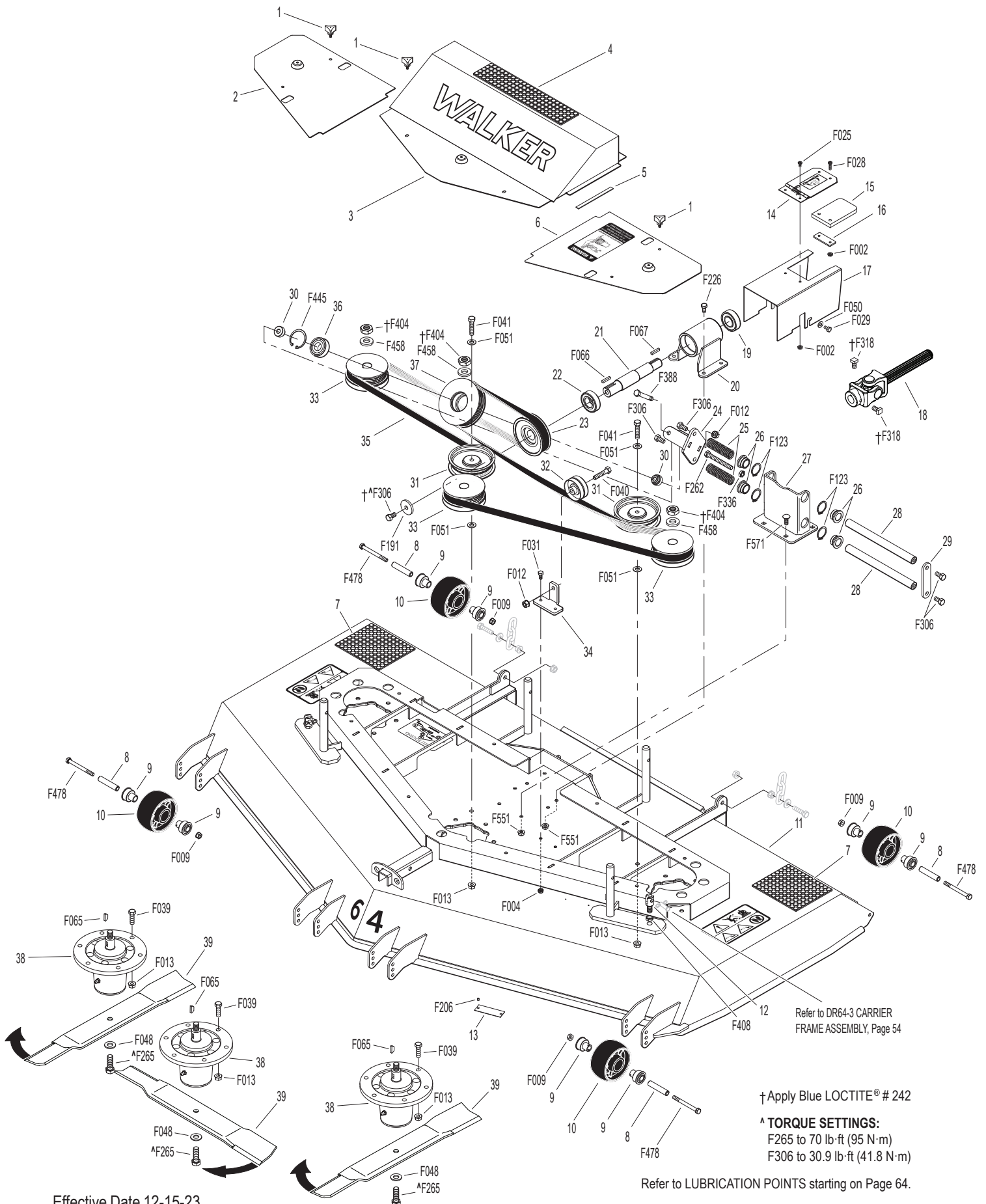


# DR64-3 DECK ASSEMBLY

ITEM NO.	PART NO.	DESCRIPTION	NO. REQ'D	ITEM NO.	PART NO.	DESCRIPTION	NO. REQ'D
<b>Deck Housing Components</b>				<b>Blade Spindle Components</b>			
1	2703-5	Knob, 10-24 x 1/2	8	38	2052-1	Blade Spindle	3
2	2723-18	Spindle Cover, RH	1	39	7705-28	LH/Center/RH Blade, 22.166" (RH Rotation)	3
3	2786-13	Belt Cover (Includes Item # 4)	1	<b>Fasteners</b>			
4	8735-8	Rubber Mat (2-1/2 x 12)	1	F002		10-24 Keps Nut	4
5	8790	Rubber Cushion Strip	2	F004		1/4-20 Keps Nut	2
6	2723-17	Spindle Cover, LH	1	F009		5/16-18 Whiz Locknut	6
7	8735-10	Rubber Mat (5 x 6)	2	F012		3/8-16 Keps Nut	2
8	6715-6	Axle Spacer Tube	6	F013		3/8-16 Whiz Locknut	20
9	6715-3	Roller Wheel Bearing	12	F025		10-24 x 3/8 PPHMS	2
10	6715-2	Roller Wheel	6	F028		10-24 x 3/4 PPHMS	2
11	2910-8	DR64-3 Deck Housing (Includes Item # 7)	1	F029		1/4-20 x 1/2 Hex Bolt	2
12	2720-8	Deck Height Adjustment Clevis	2	F031		1/4-20 x 5/8 Hex Bolt	2
13	NS	Deck Serial Number Plate	1	F039		3/8-16 x 1-1/4 Hex Bolt	18
<b>Blade Drive Components</b>				F040		3/8-16 x 1-1/2 Hex Bolt	1
14	2618-1	Cover, PTO Shaft Guard	1	F041		3/8-16 x 1-3/4 Hex Bolt	2
15	2620-3	Rubber Flap	1	F048		1/2 SAE Washer	3
16	2620-2	Backing Plate	1	F050		1/4 SAE Washer	2
17	2619-3	PTO Shaft Guard	1	F051		3/8 SAE Washer	4
	2618-4	PTO Shaft Guard Assembly (Includes Items # 14-17, F002, F025 & F028)	*	F065		3/16 x 3/4 Woodruff Key (#606)	3
18	8285-4	U-Joint Shaft Assembly, Spline (Includes Item # F318)	1	F066		1/4 x 1/4 x 3/4 Key	1
19	5270	Bearing W/Collar (1")	1	F067		3/16 x 3/16 x 1 Key	1
20	2726-2	PTO Bearing Housing	1	F123		1" External Snap Ring	4
21	2726-5	PTO Drive Shaft	1	F191		3/8 x 1-1/2 x 3/16 Washer	1
22	5270-1	Ball Bearing	1	F206		#2 x 3/16 Drive Pin	2
23	2240-11	Drive Pulley (3-3/4)	1	F226		5/16-18 x 7/8 Hex Bolt	4
24	2724-14	Idler Mount Weldment	1	F262		3/8-16 x 4 Hex Bolt All Thread	1
25	5195-2	Compression Spring (1 x 6-3/8) (Black)	2	F265		1/2-20 x 1-1/2 Hex Bolt	3
26	2724-17	Guide Rod Bushing	4	F306		3/8-16 x 3/4 Hex Bolt	5
27	2725-8	Mount Base	1	F318		3/8-16 x 3/4 SQH Set Screw	2
28	2723-16	Guide Rod (8-5/8) Clear Zinc	2	F336		3/8-16 Jam Nut	1
29	2724-19	Guide Rod Stop	1	F388		3/8-16 x 2-1/2 Hex Bolt	1
30	2245-6	Idler Pulley Shaft	2	F404		5/8-18 Jam Nut	3
31	7245-2	Idler Pulley	2	F408		7/16-20 Jam Nut	2
32	5245-5	Idler Pulley (2-1/4)	1	F445		1-7/8 Internal Snap Ring	1
33	2240-9	Blade Drive Pulley (3.8) W/Shield	3	F458		Washer 1-1/4 x 5/8 x 3/16	3
34	5245-9	Idler Mount	1	F478		5/16-18 x 3-1/4 Hex Bolt	6
35	2731-5	Blade Drive Belt (1340 L4-K)	1	F551		5/16-18 Flange Top Lock Nut	8
36	2265	Bearing (20mm)	1	F571		5/16-18 x 7/8 Carriage Bolt	4
37	2245-2	Idler Pulley	1	* Service Part Only			



# DR64-3 DECK ASSEMBLY



Effective Date 12-15-23  
Use only genuine Walker® replacement parts.

Refer to DR64-3 CARRIER FRAME ASSEMBLY, Page 54

† Apply Blue LOCTITE® # 242

^ TORQUE SETTINGS:  
F265 to 70 lb-ft (95 N-m)  
F306 to 30.9 lb-ft (41.8 N-m)

Refer to LUBRICATION POINTS starting on Page 64.

# DS74-2 COMPLETE CARRIER FRAME ASSEMBLY

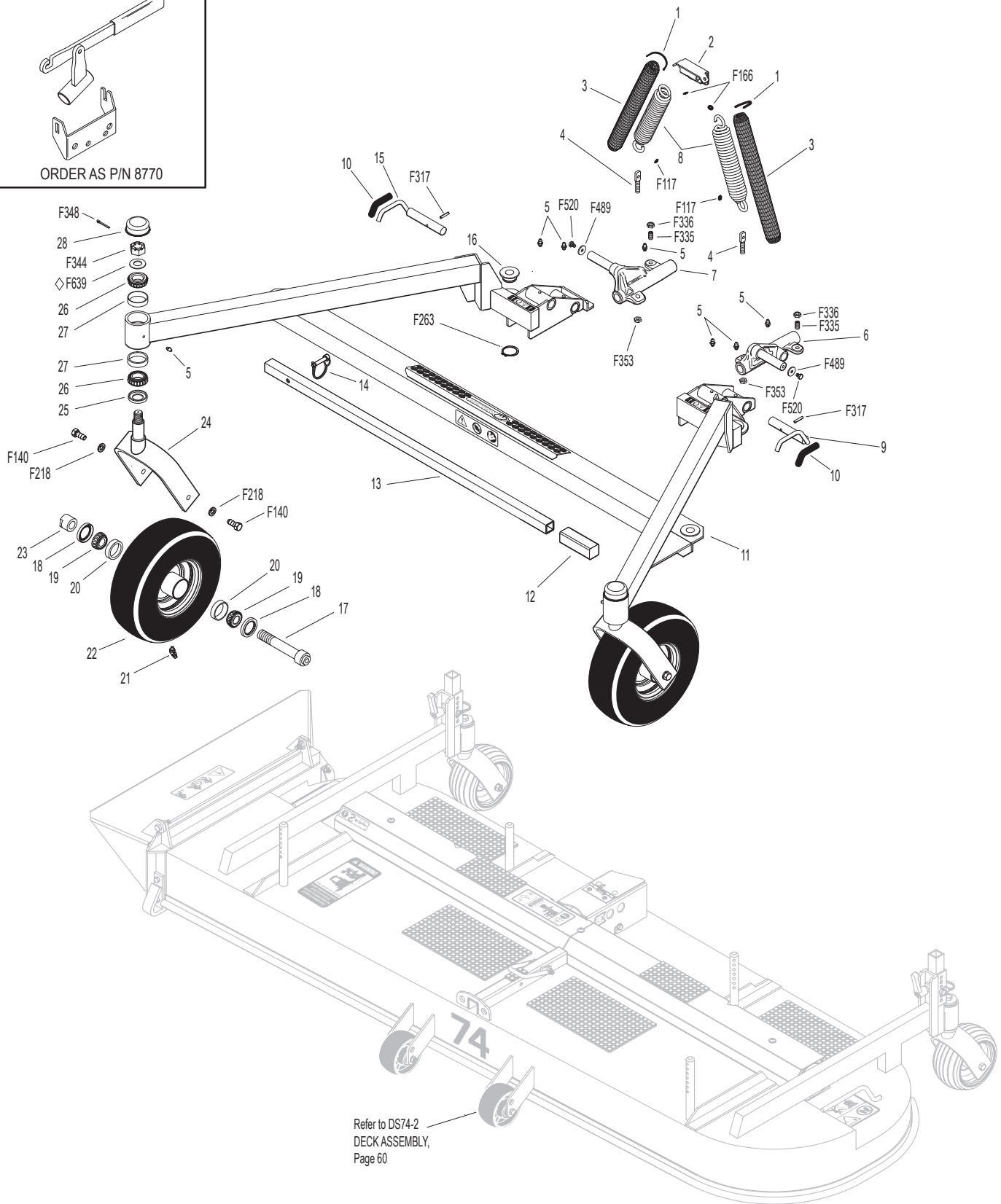
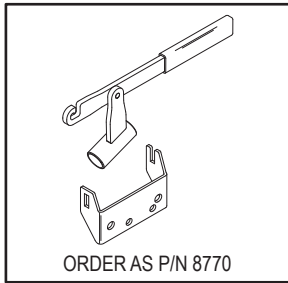
ITEM NO.	PART NO.	DESCRIPTION	NO. REQ'D	ITEM NO.	PART NO.	DESCRIPTION	NO. REQ'D
<b>Spring and Pivot Mount Components</b>				<b>Caster Wheel Components</b>			
1	5975-3	Cable Tie (50# x 7")	4	17	8767	Axle, Caster Wheel (5-1/8)	2
2	5744-4	Spring Clip Bracket	1	18	8768-2	Seal, Reverse Lip	4
3	5743-1	Spring Cover	2	19	8037	Bearing Cone (3/4 ID)	4
4	5743-3	Eyebolt (3/8-16 x 2)	2	20	8037-2	Bearing Race	4
5	5830	Grease Fitting	8	21	5830-3	Grease Fitting (45 Degree)	2
6	8667-3	Pivot Mount Assembly, LH/Adj. (Includes Items # 5, F353, F489 & F520)	1	22	8768-7	Caster Wheel, Pneumatic (11 x 4.00-5) (Includes Items # 20 & 21)	2
7	8667-4	Pivot Mount Assembly, RH/Adj. (Includes Items # 5, F353, F489 & F520)	1		8768-3	Tire, Pneumatic (11 x 4.00-5)	*
8	5743-6	Extension Spring, Green (1-1/2 x 7-3/4) (Includes Items # 1, F117 & F166)	2		8768-5	Caster Wheel (5 x 3)	*
<b>Carrier Frame Components</b>				23	8766	Axle Nut (3/4-16)	2
9	8674-11	Lever, Deck Lock, LH	1	24	8765-14	Caster Wheel Fork	2
10	7406-1	Handle Grip (Red)	2	25	8769-7	Seal	2
11	7803-1	74 SD Carrier Frame (Includes Item # 27)	1	26	8769-6	Bearing Cone (1" ID)	4
12	5850-5	Handle Grip (1 x 1 x 3-3/4)	1	27	8769-5	Bearing Cup (2 x 1-5/8)	4
13	8811-25	Tilt Bar With Grip (35") (Includes Item # 12)	1	28	8769-8	Dust Cap, Deck Caster	2
14	7775-5	Lock Pin (5/16 x 1-5/8)	1	<b>Fasteners</b>			
15	8674-10	Lever, Deck Lock, RH	1		F117	Retainer Ring	2
16	8740	Deck Pin Bushing (3/4 ID)	4		F140	7/16-14 x 1 Hex Bolt	4
					F166	Retainer Ring	2
					F218	7/16 Split Lock Washer	4
					F263	1-1/4 External Snap Ring	4
					F317	3/16 x 1 Split Spring Pin	2
					F335	3/8-16 x 7/8 Set Screw, SS	2
					F336	3/8-16 Jam Nut	2
					F344	3/4-16 Slotted Hex Nut	2
					F348	1/8 x 1-1/2 Cotter Pin	2
					F353	3/8-16 ESNA LP Nut	2
					F489	Washer 1/4 x 7/8 x .090	2
					F520	1/4-28 x 3/8 Hex Bolt	2
					F639	Belleville Washer (1.5 x .755 x .072)	2

\* Service Part Only

**NOTE:** The E-Z Pin Puller P/N 8770 can be ordered to assist removing and installing height adjustment hitch pins on larger decks. This item stows on tractor when not in use.



# DS74-2 COMPLETE CARRIER FRAME ASSEMBLY



◇ Refer to CARRIER FRAME DECK FORK INSTALLATION, Page 70.

Refer to LUBRICATION POINTS starting on Page 64.

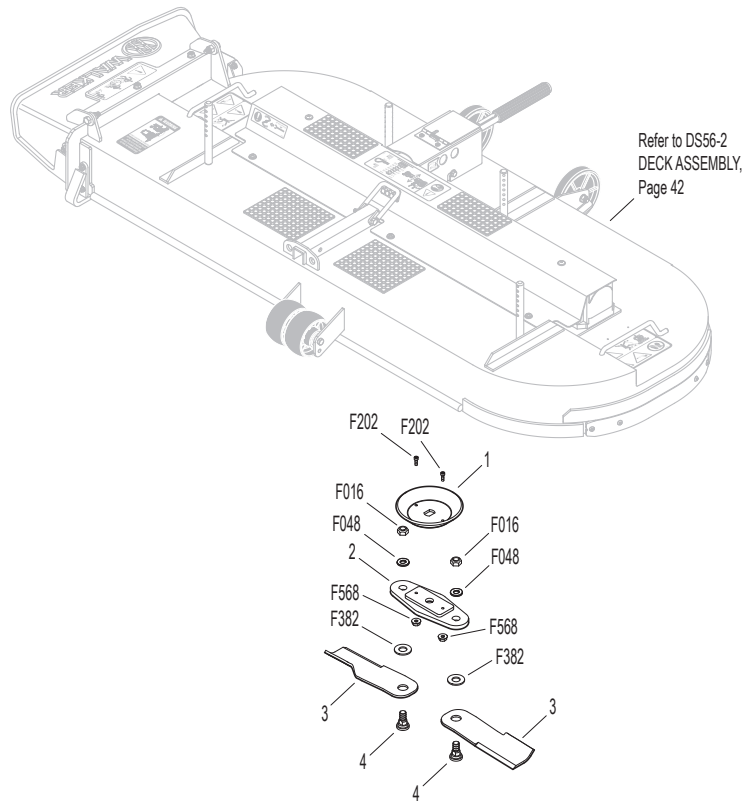
## DS74-2 DECK ASSEMBLY

ITEM NO.	PART NO.	DESCRIPTION	NO. REQ'D	ITEM NO.	PART NO.	DESCRIPTION	NO. REQ'D
<b>Gearbox and Drive Components</b>				36	5706	Blade Hub & Trash Guard	4
1	8618-6	Cover, PTO Shaft Guard	1	37	8691-7	Spacer T-Nut	4
2	8619-7	PTO Shaft Guard	1	38	6711-16	74 Gearbox and Tube Assembly, HD (Includes Items # 8-20, F004 & F136)	1
	8618-7	PTO Shaft Guard Assembly (Includes Items # 1, 2, F002 & F025)	*	39	6715-3	Roller Wheel Bearing	4
3	5285-5	U-Joint Shaft Assembly, Spline (Keyed) (Includes Items # F065, F076 & F318)	1	40	6715-6	Axle Spacer Tube	2
4	7865-6	74 SD Gearbox Cover, RH (Includes Items # 5 & 7)	1	41	6715-2	Roller Wheel	2
5	5747-10	Rubber Mat, No-Hole (3 x 6)	2	42	8788-1	Rubber Mat (1 x 2)	1
6	7865-5	74 SD Gearbox Cover, LH (Includes Items # 5 & 7)	1	43	7807-1	74 SD Skid Bar	1
7	8790	Rubber Cushion Strip	2	44	7809-1	74 SD Discharge Shield	1
				45	8775	Hitch Pin (#219)	4
				46	8727	Washer Shim (13/16 x 1/4)	4
<b>HD Drive Components</b>				<b>Fasteners</b>			
8	5053-7	HD Gearbox (1:1.2) CW-CCW (Includes Item # 9)	1	F002	10-24 Keps Nut		2
9	5589-1	1/4-20 x 1-1/2" Stud	32	F004	1/4-20 Keps Nut		36
10	5704-1	Gearbox Cover Support	3	F009	5/16-18 Whiz Locknut		2
11	5058-3	HD Tee Gearbox (1:1.2) (Includes Item # 9)	2	F012	3/8-16 Keps Nut		2
12	5051-5	HD Tee Gearbox (1:1) CW-CW & CCW (Includes Item # 9)	1	F014	3/8-16 ESNA Nut		2
13	5052-9	HD Gearbox (1:1.2) CCW-CCW (Includes Item # 9)	1	F020	5/16-18 ESNA Nut		1
14	6054	Spline Coupling	7	F025	10-24 x 3/8 PPHMS		2
15	5068-6	O-Ring (1-7/8 x 2)	8	F029	1/4-20 x 1/2 Hex Bolt		2
16	5069-2	Connector Tube (14.530)	2	F031	1/4-20 x 5/8 Hex Bolt		2
17	6733-9	Connecting Shaft (12-1/8)	2	F038	3/8-16 x 1 Hex Bolt		10
18	5063-2	Connector Tube (8.655)	1	F039	3/8-16 x 1-1/4 Hex Bolt		2
19	6733-3	Connecting Shaft (6-1/4)	1	F047	3/8-16 x 4-1/2 Hex Bolt		2
20	5060-2	Connector Tube (2.343)	1	F050	1/4 SAE Washer		5
<b>Deck Housing Components</b>				F059	3/8 Wave Spring Washer		2
21	8786-10	Rubber Mat (6 x 10-1/2)	4	F063	3/8 Int. Star Lock Washer		2
22	8670-8	Tilt-Up Hook	1	F065	3/16 x 3/4 Woodruff Key (#606)		1
23	7803-3	74 SD Deck Housing (Includes Items # 21 & 42)	1	F076	3/8-16 x 5/8 SQH Set Screw		1
24	NS	Deck Serial Number Plate	1	F119	Rear Caster Spacer		4
25	7866-1	Lock Lever, Rear Caster	2	F136	AN960C416L Washer		32
26	7775-5	Lock Pin (5/16 x 1-5/8)	2	F191	3/8 x 1-1/2 x 3/16 Washer		2
27	5683	Pivot Bearing	4	F206	#2 x 3/16 Drive Pin		2
28	7866	74 SD Rear Fork Mount (Includes Items # 27 & 30)	2	F208	5/16-18 x 2-1/4 Hex Bolt		1
29	7870	74 SD Rear Fork	2	F211	1/4-20 x 7/8 Hex Bolt		2
30	5830	Grease Fitting	2	F246	1/4-20 x 1/2 PTHMS		3
31	5714-3	Axle Spacer Tube	2	F278	3/8 Split Lock Washer		8
32	7868	74 SD Caster Wheel / Rear	2	F318	3/8-16 x 3/4 SQH Set Screw		1
33	7705-56	LH/Center/RH Blade, 20" (RH Rotation)	4	F322	10-24 x 3/4 SHC Screw, GR5 SS		8
34	8691-5	Lower Blade Spacer	8	F478	5/16-18 x 3-1/4 Hex Bolt		2
35	8691-6	Upper Blade Space	4	F517	Washer 3/8 x 1-1/8 x 1/8		8
				F568	10-24 Flange Top Lock Nut		8
				F657	1" Serrated Safety Washer		4
				F661	3/8-16 x 1-1/4 Low Profile Socket Head Cap Screw		8
				F662	3/8-16 ESNA Nut Grade 8		8
				* Service Part Only			



# OPTIONAL BREAK-AWAY BLADES

ITEM NO.	PART NO.	DESCRIPTION	NO. REQ'D	ITEM NO.	PART NO.	DESCRIPTION	NO. REQ'D
----------	----------	-------------	-----------	----------	----------	-------------	-----------



## DS42-2 Break-Away Blade Kit (5705-33)

1	5706	Blade Hub & Trash Guard	
2	5706-27	Blade Hub, 42"	
3	5705-30	Break Away Blade	
4	5705-17	Special Bolt (1/2-13 x 1-7/16)	

## DS74-2 Break-Away Blade Kit (5705-34)

2	1	5706	Blade Hub & Trash Guard	4
2	2	5706-26	Blade Hub, 36, 56 & 74	4
4	3	5705-30	Break Away Blade	8
4	4	5705-17	Special Bolt (1/2-13 x 1-7/16)	8

## DS48-2 Break-Away Blade Kit (7705-8)

1	5706	Blade Hub & Trash Guard	2
2	5706-25	Blade Hub, 48"	2
3	5705-30	Break Away Blade	4
4	5705-17	Special Bolt (1/2-13 x 1-7/16)	4

## Fasteners

	2	F016	1/2-13 Self-Locking Nut	*
	2	F048	1/2 SAE Washer	*
	4	F202	10-24 x 5/8 SHC Screw, GR5 SS	*
	4	F382	Belleville Washer (.650 x 1.36)	*
		F568	10-24 Flange Top Lock Nut	*

## DS56-2 Break-Away Blade Kit (5705-32)\*\*

1	5706	Blade Hub & Trash Guard	3
2	5706-26	Blade Hub, 36, 56 & 74	3
3	5705-30	Break Away Blade	6
4	5705-17	Special Bolt (1/2-13 x 1-7/16)	6

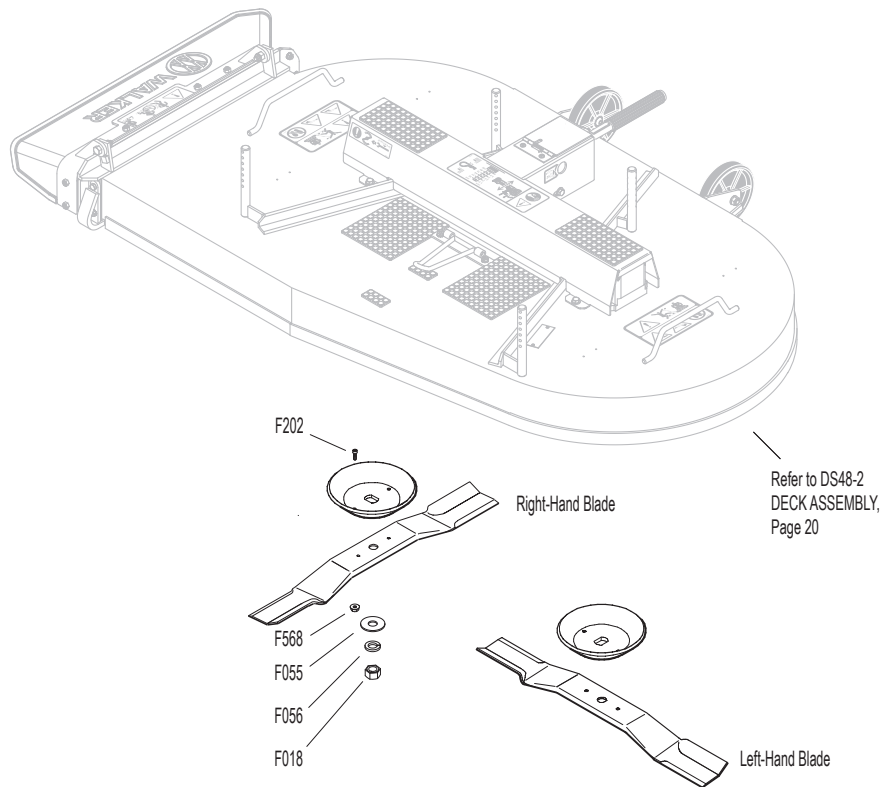
\* Quantities vary

\*\* Remove Blade Spacer (P/N 8691-8) when using Break-Away Blades on the DS56-2 deck.

**NOTE:** Optional blade kit featuring blades mounted on a break-away hub, for use in mowing applications with lots of ground and debris contact, to minimize impact and shock loading.

**NOTE:** Break-Away blades are designed for use on Side Discharge decks only.

# BLADE USAGE CHART



TWO BLADE DECKS	RH BLADE	LH BLADE	BLADE SET
DS36-2	5705-36	5705-36	
DS42-2	5705-3	5705-3	5705-7
DS48-2	7705-1	7705-1	7705-5
DS48-3	7705-29	7705-29	

THREE & FOUR BLADE DECKS	SINGLE BLADE	BLADE SET
DS52-3	5705-14	8738-7*
DS52-3 MULCHING UPPER BLADE	5705-15	8738-8*
DS52-3 MULCHING LOWER BLADE	5705-14	8738-7*
DR52-3	7705-14	
DS56-2	7705-56	
DS60-3	7705-57	
DS61-3	7705-30	
DS61-3 MULCHING KIT	7705-38	
DR64-3	7705-28	
DS74-2	7705-56	

Right hand and left hand orientated with operator on seat.

All blade sets include 5706 (Blade Hub & Trash Guard), F202 & F568 unless otherwise specified.

\* Blade set consists of three (3) blades

Effective Date 12-15-23

Use only genuine **Walker**® replacement parts.

# LUBRICATION POINTS

ITEM NO.	LOCATION	LUBRICATION TYPE	NO. PLACES
----------	----------	------------------	------------

## DS36-2, DS42-2, DS48-2 & DS56-2 Assemblies

1	Deck Caster Wheel Fork Pivot	Grease	2
2	Deck Caster Wheel Bearing	Grease	2
3	Blade Drive Gearbox	Oil*	2
4	Tee Gearbox, Deck	Oil*	1
5	Universal Joint Shaft Assembly	Grease**	1
6	Pivot Assembly, Tilt-Up Deck	Grease	4
7	Deck Support Arm Socket	Grease	2

ITEM NO.	LOCATION	LUBRICATION TYPE	NO. PLACES
----------	----------	------------------	------------

## DS74-2 Assembly

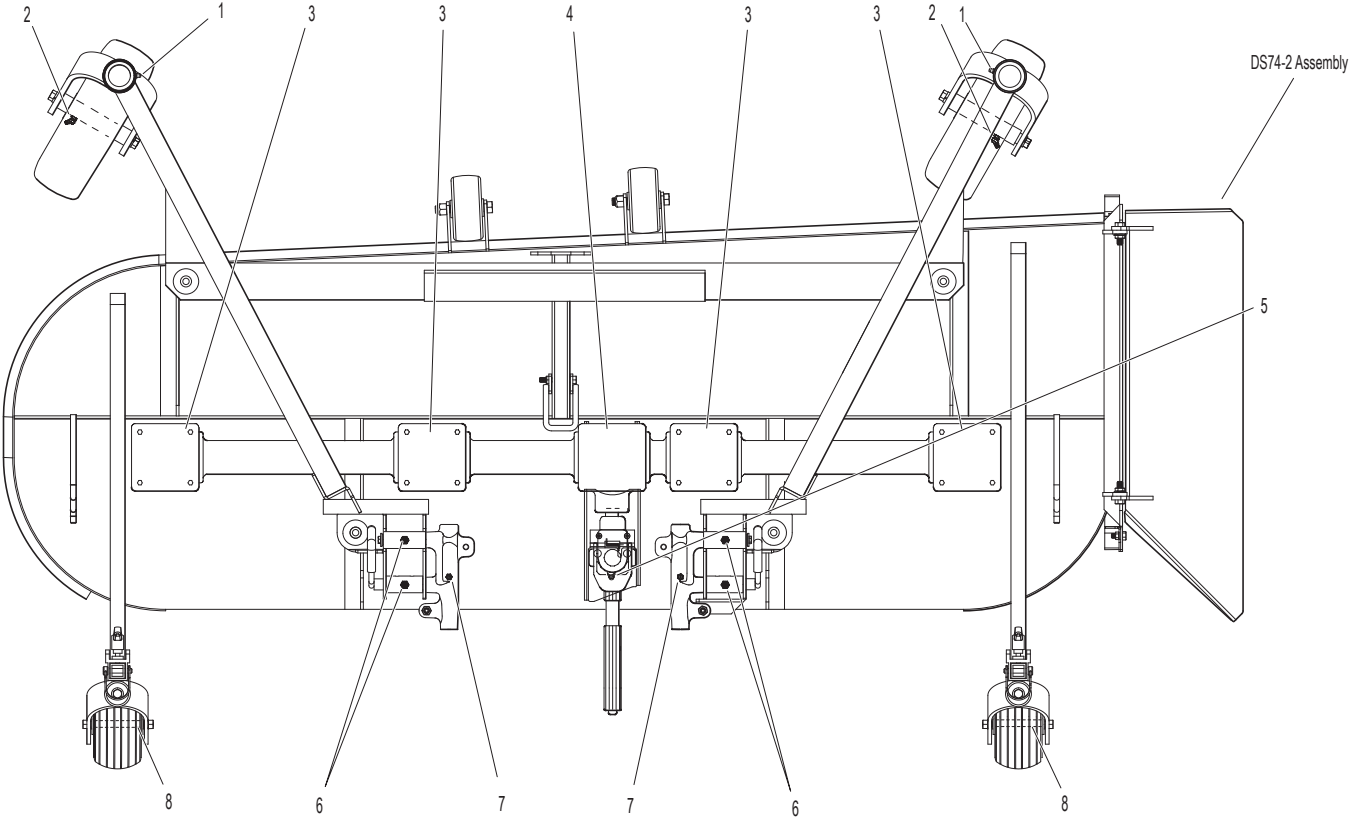
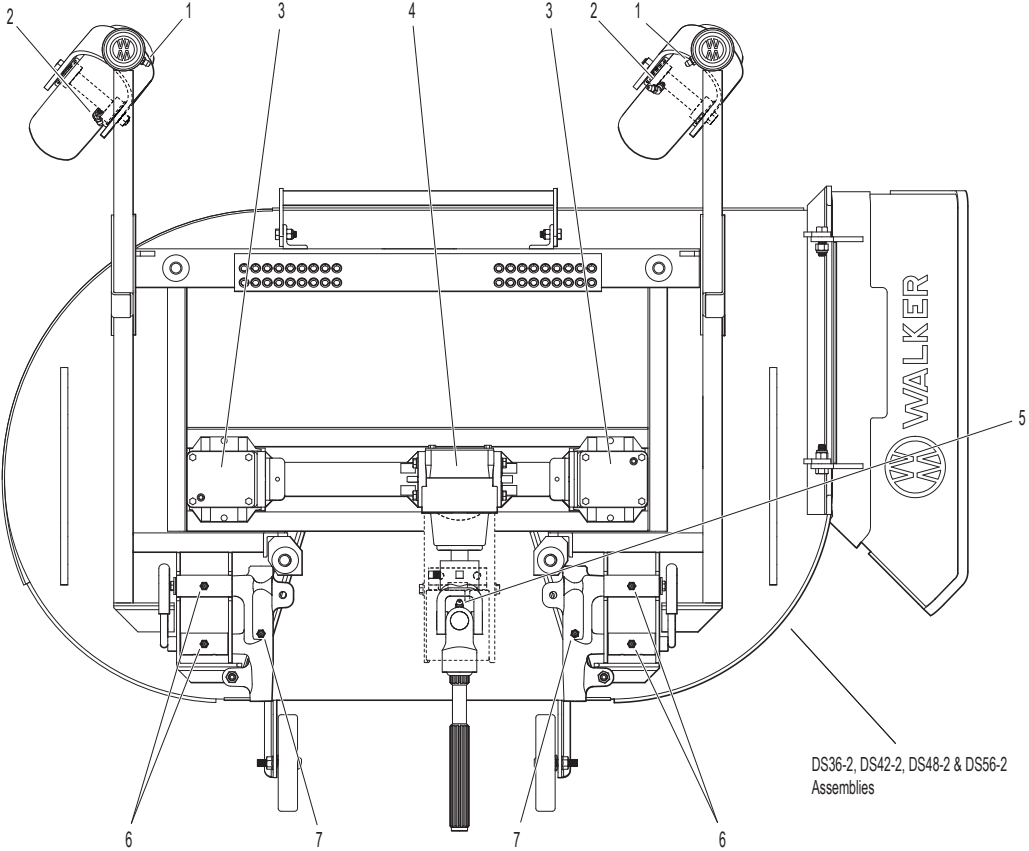
1	Deck Caster Wheel Fork Pivot	Grease	2
2	Deck Caster Wheel Bearing	Grease	2
3	Blade Drive Gearbox	Oil*	4
4	Tee Gearbox, Deck	Oil*	1
5	Universal Joint Shaft Assembly	Grease**	1
6	Pivot Assembly, Tilt-Up Deck	Grease	4
7	Deck Support Arm Socket	Grease	2
8	Rear Deck Caster Wheel Axle	Grease	2

\* Gearboxes are permanently lubricated and sealed requiring no scheduled lubrication. Oil level should be checked only when an oil leak is noted.

\*\* Grease every 25 hours.

**NOTE:** Exact location of some Lubrication Points may vary slightly from those shown in the illustration. Decks shown in the illustration are for reference only; for further information on location of parts not shown here, refer to the parts listings for individual Carrier Frames and Deck Assemblies.

# LUBRICATION POINTS



Effective Date 12-15-23  
 Use only genuine Walker® replacement parts.



# LUBRICATION POINTS

ITEM NO.	LOCATION	LUBRICATION TYPE	NO. PLACES
----------	----------	------------------	------------

## DS48-3 Assembly

1	Deck Caster Wheel Fork Pivot	Grease	2
2	Deck Caster Wheel Bearing	Grease	2
3	Blade Spindle	Grease	2
4	Pivot Assembly, Tilt-Up Deck	Grease	4
5	Deck Support Arm Socket	Grease	2
6	Universal Joint Shaft Assembly	Grease*	1

## DR52-3 & DR64-3 Assemblies

1	Deck Caster Wheel Fork Pivot	Grease	2
2	Deck Caster Wheel Bearing	Grease	2
3	Blade Spindle	Grease	3
4	Pivot Assembly, Tilt-Up Deck	Grease	2
5	Deck Support Arm Socket	Grease	2
6	Universal Joint Shaft Assembly	Grease*	1
7	Front Deck Lift Pivot	Grease	2
8	Rear Deck Lift Pivot	Grease	2

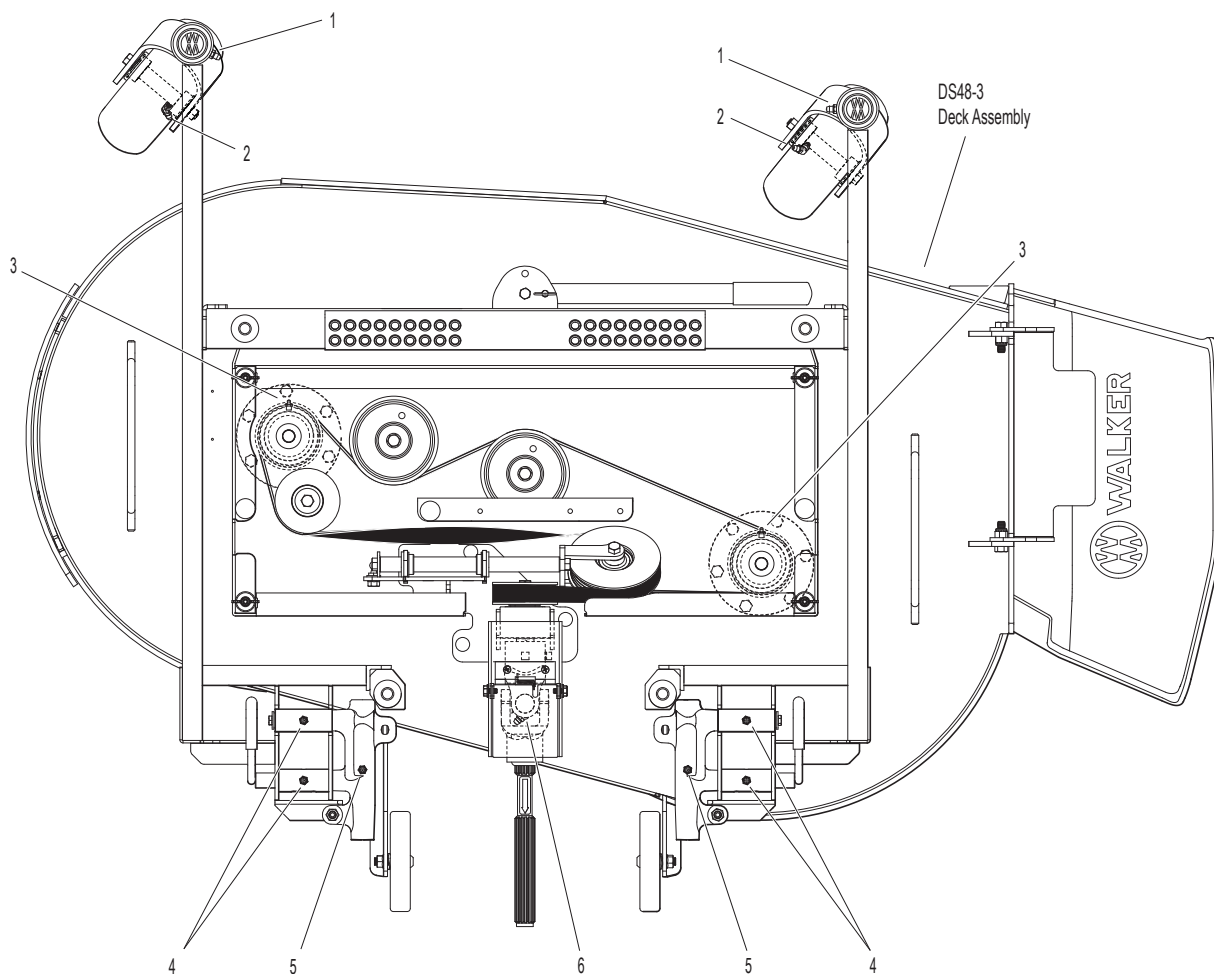
ITEM NO.	LOCATION	LUBRICATION TYPE	NO. PLACES
----------	----------	------------------	------------

## DS61-3 Assembly

1	Deck Caster Wheel Fork Pivot	Grease	2
2	Deck Caster Wheel Bearing	Grease	2
3	Blade Spindle	Grease	3
5	Deck Support Arm Socket	Grease	2
6	Universal Joint Shaft Assembly	Grease*	1
7	Front Deck Lift Pivot	Grease	2
8	Rear Deck Lift Pivot	Grease	2

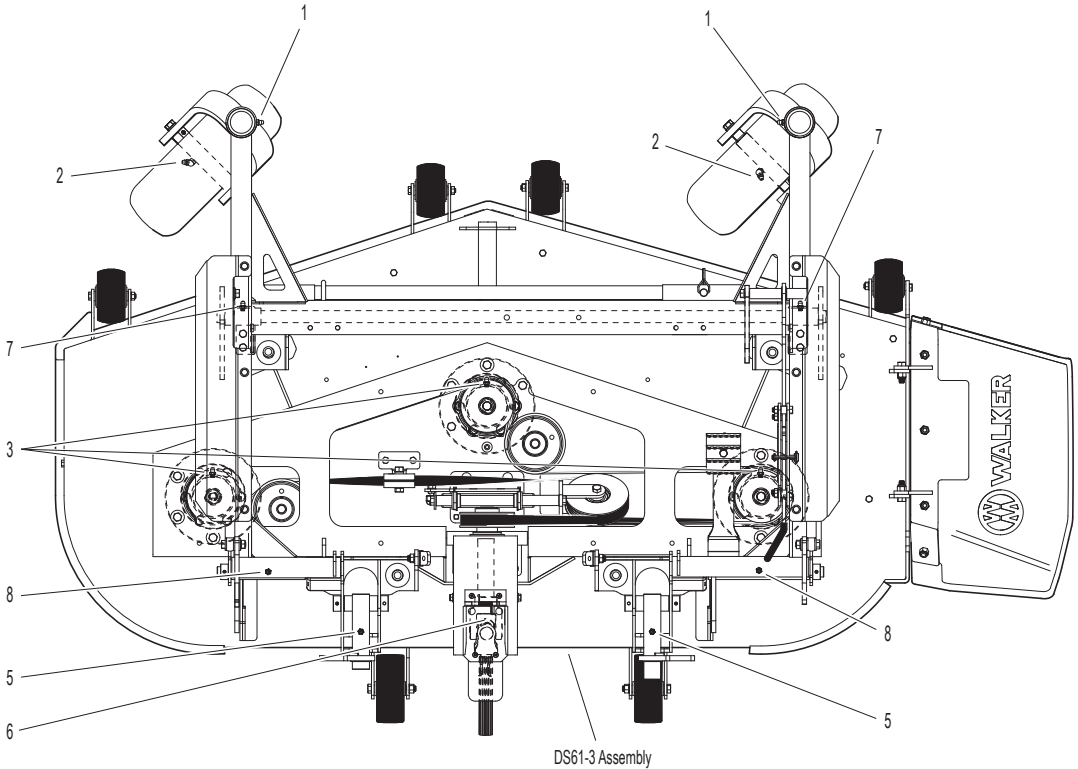
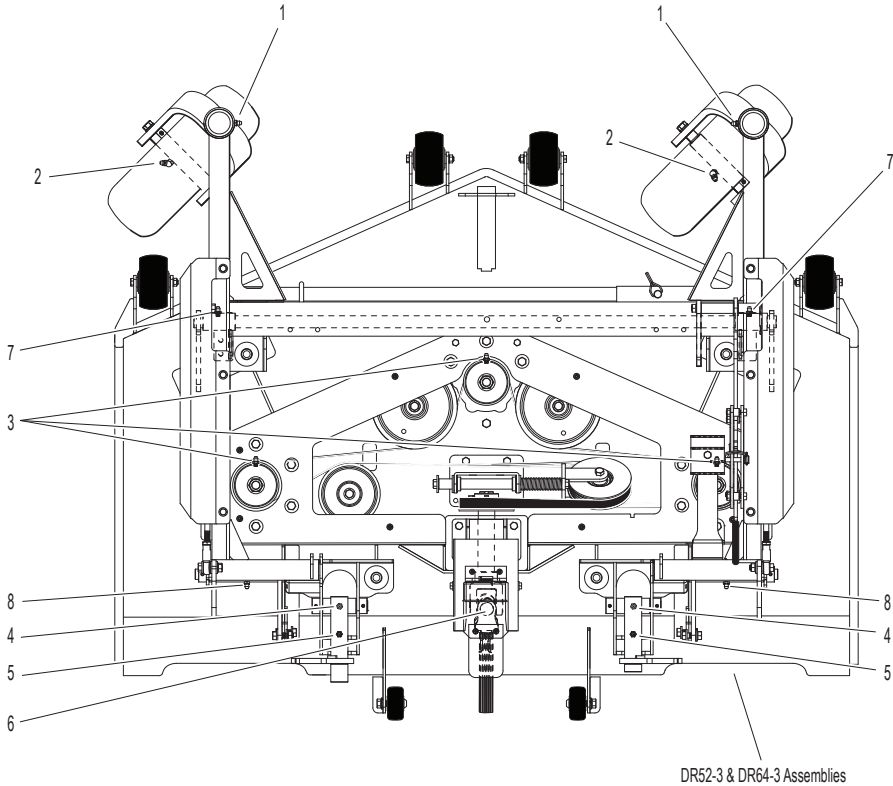
\* Grease every 25 hours.

**NOTE:** Exact location of some Lubrication Points may vary slightly from those shown in the illustration. Decks shown in the illustration are for reference only; for further information on location of parts not shown here, refer to the parts listings for individual Carrier Frames and Deck Assemblies.





# LUBRICATION POINTS



# LUBRICATION POINTS

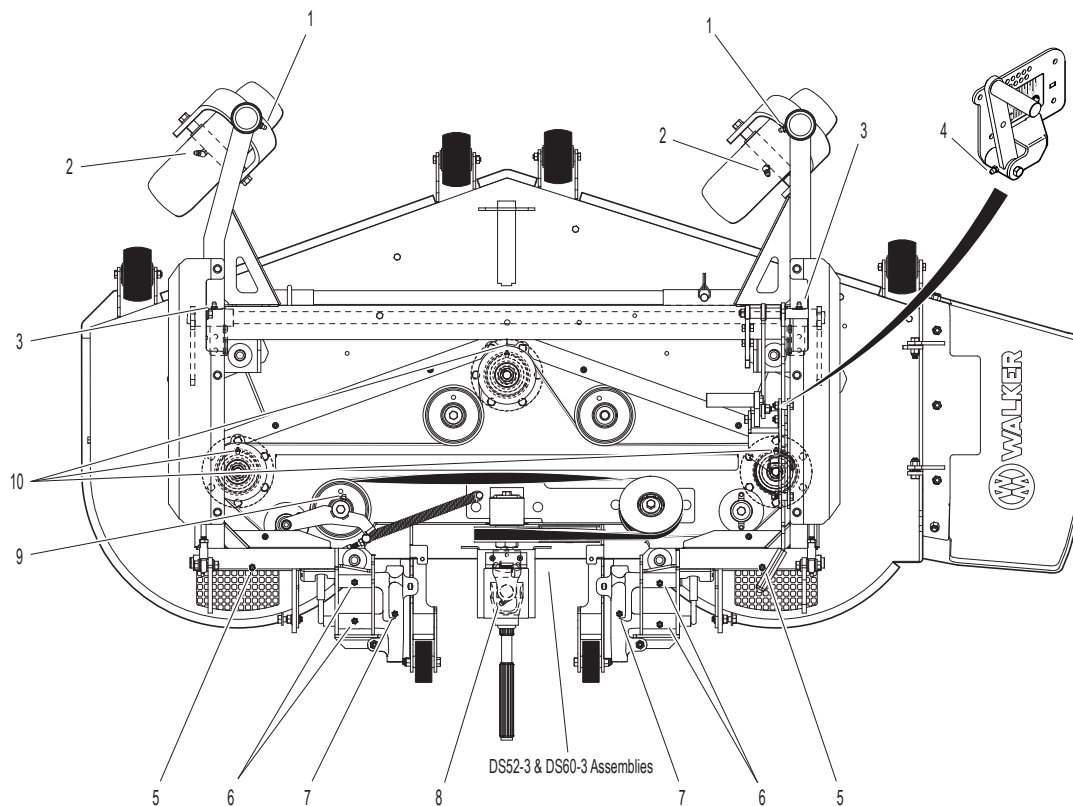
ITEM NO.	LOCATION	LUBRICATION TYPE	NO. PLACES	ITEM NO.	LOCATION	LUBRICATION TYPE	NO. PLACES
----------	----------	------------------	------------	----------	----------	------------------	------------

## DS52-3 & DS60-3 Assemblies

1	Deck Caster Wheel Fork Pivot	Grease	2
2	Deck Caster Wheel Bearing	Grease	2
3	Front Deck Lift Pivot	Grease	2
4	Deck Lift Pivot	Grease	1
5	Rear Deck Lift Pivot	Grease	2
6	Pivot Assembly, Tilt-Up Deck	Grease	4
7	Deck Support Arm Socket	Grease	2
8	Universal Joint Shaft Assembly	Grease*	1
9	Idler Arm	Grease	1
10	Blade Spindle	Grease	3

\* Grease every 25 hours.

**NOTE:** Exact location of some Lubrication Points may vary slightly from those shown in the illustration. Decks shown in the illustration are for reference only; for further information on location of parts not shown here, refer to the parts listings for individual Carrier Frames and Deck Assemblies.



# H24d, H27i & H38i DECK ARM ADAPTER KIT

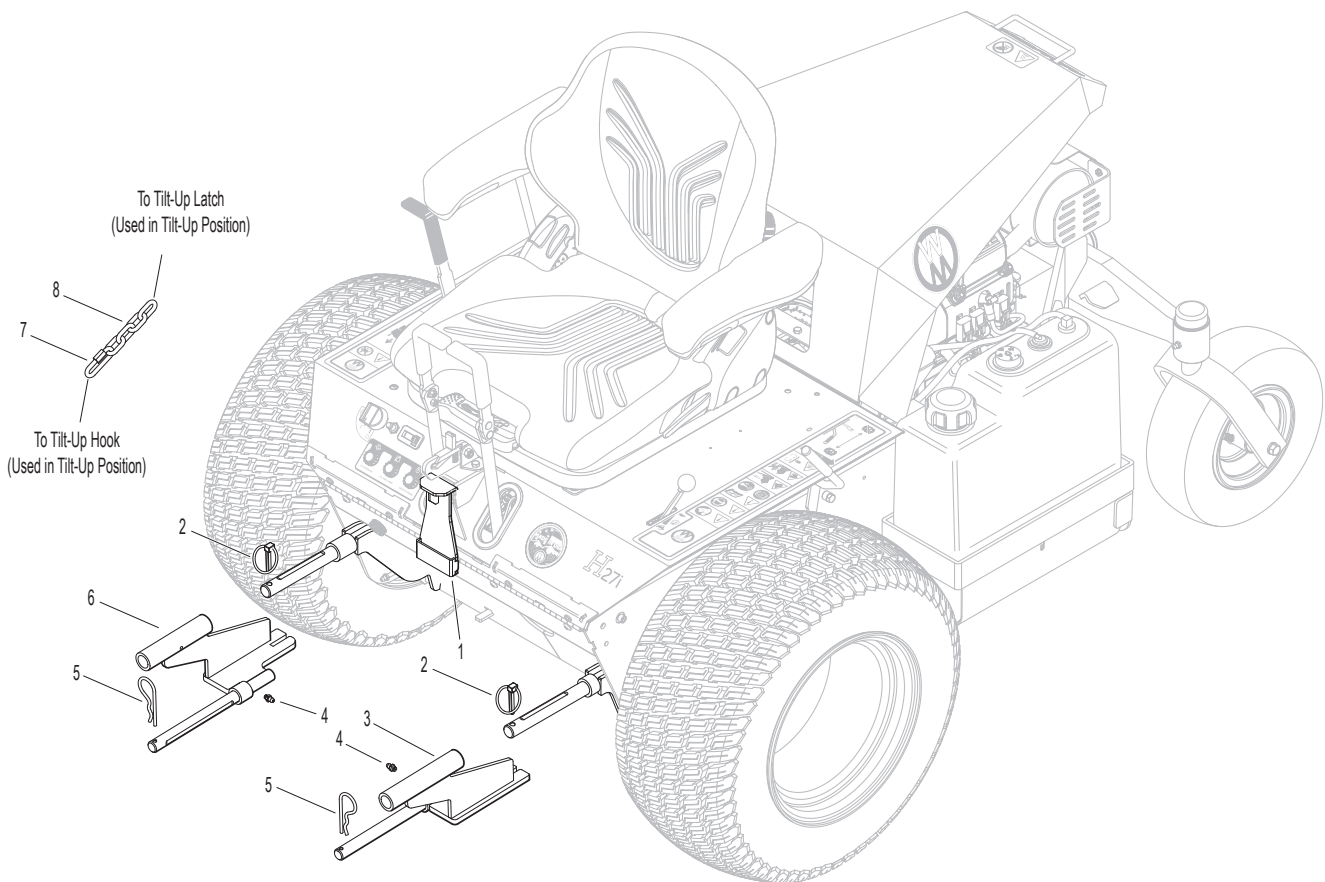
ITEM NO.	PART NO.	DESCRIPTION	NO. REQ'D	ITEM NO.	PART NO.	DESCRIPTION	NO. REQ'D
----------	----------	-------------	-----------	----------	----------	-------------	-----------

**Kit 2430-10 Deck Arm Adapter Kit**

Includes Items # 1-8 and instructions. May be ordered as a kit for dealer installation. Contact your Walker dealer.

**NOTE:** Installation of 2430-10 on Walker Models H24d, H27i & H38i allows the use of the DS48-2, DS52-3, DS56-2, DS60-3, and DS74-2 decks.

1	2744-2	Counter Weight Spring Extension	1
2	2775	Lynch Pin (5/16 x 1-1/4)	2
3	2431-1	Deck Arm Adapter, LH	1
4	5830-6	Grease Fitting (5/16-24)	2
5	5775-2	Hitch Pin (#6)	2
6	2430-1	Deck Arm Adapter, RH	1
7	2744-4	1/4" Quick Link	1
8	2744-5	Chain	1



# CARRIER FRAME DECK FORK INSTALLATION

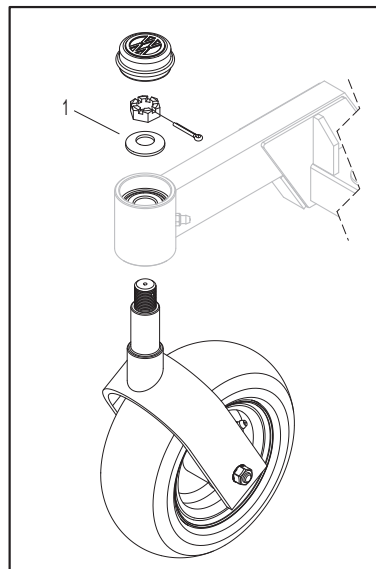
ITEM NO.	DESCRIPTION	ITEM NO.	DESCRIPTION
----------	-------------	----------	-------------

## Carrier Frame Deck Arm Assembly

- 1 Installing the Deck Fork with a Belleville Washer:
  - a. Install the fork up into the bearing housing through the lower and upper tapered roller bearings. Rotate the fork as the seal is engaging onto the shaft to prevent the seal lip from rolling.
  - b. Place a Belleville washer onto the fork shaft with the cupped side of the washer down against the bearing, and thread the slotted hex nut finger-tight onto the shaft.
  - c. Using a wrench or socket, tighten the slotted hex nut by hand only until the Belleville washer is fully compressed, which is felt as a distinct increase in the amount of force required to turn the nut.
  - d. Back the nut off one to two notches until the cotter pin hole is visible, and install the cotter pin to lock the nut in place.

**NOTE:** The tension of the compressed Belleville washer provides the correct amount of bearing pre-load and will remain consistent with use. Do not over-tighten the nut, which will bind the caster pivot and cause unnecessary turning friction.

Carrier Frame Deck Arm Assembly







## **LIMITED WARRANTY FOR WALKER COMMERCIAL RIDER MOWER**

**1. WHAT THIS WARRANTY COVERS, AND FOR HOW LONG:**

Walker Manufacturing company will, at its option, repair or replace, without charge, any part covered by this warranty which is found to be defective in material and/or workmanship within two (2) years after the date of sale to the original retail purchaser unless the product is used for rental purposes, in which case this warranty is limited to ninety (90) days. At Walker's request, customer will make the defective part available for inspection by Walker and/or return the defective part to Walker, transportation charges prepaid. All parts and components of the Walker Mower are covered by this warranty.

**2. WHAT THIS WARRANTY DOES NOT COVER:**

- A. This warranty does not cover defects caused by depreciation or damage caused by normal wear, accidents, improper maintenance, improper use or abuse of the product, alterations, or failure to follow the instructions contained in the Operator's Manual for operation and maintenance.
- B. The customer shall pay any charges for making service calls and/or for transporting the mower to and from the place where the inspection and/or warranty work is performed.

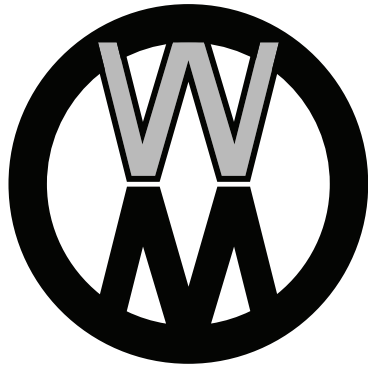
**3. HOW TO OBTAIN SERVICE UNDER THIS WARRANTY:**

Warranty service can be arranged by contacting the dealer where you purchased the mower or by contacting Walker Manufacturing Company, 5925 East Harmony Road, Ft. Collins, CO 80528. Proof of the date of purchase may be required to verify warranty coverage.

**4. WARRANTY LIMITATION:**

- A. **THERE IS NO OTHER EXPRESS WARRANTY. ANY WARRANTY THAT MAY BE IMPLIED FROM THIS PURCHASE INCLUDING MERCHANTABILITY AND FITNESS FOR A PARTICULAR PURPOSE IS HEREBY LIMITED TO THE DURATION OF THIS WARRANTY AND TO THE EXTENT PERMITTED BY LAW ANY AND ALL IMPLIED WARRANTIES ARE EXCLUDED.** Some states do not allow limitations on how long an implied warranty lasts, so the above limitations may not apply to you.
- B. **WALKER WILL NOT BE LIABLE FOR ANY INCIDENTAL, CONSEQUENTIAL, OR SPECIAL DAMAGES AND/OR EXPENSES IN CONNECTION WITH THE PURCHASE OR USE OF THE MOWER.** Some states do not allow the exclusion or limitation of incidental or consequential damages, so the above limitation(s) or exclusion(s) may not apply to you.
- C. Only the warranty expressed in this limited warranty shall apply and no dealer, distributor, or individual is authorized to amend, modify, or extend this warranty in any way. Accordingly, additional statements such as dealer advertising or presentations, whether oral or written, do not constitute warranties by Walker, and should not be relied upon.
- D. This warranty gives you specific legal rights, and you may also have other rights which vary from state to state.





**WALKER**

**WALKER MFG. CO. • 5925 E. HARMONY ROAD, FORT COLLINS, CO 80528 • (970) 221-5614**  
**FORM NO. 012924      PRINTED IN USA      [www.walker.com](http://www.walker.com)      ©2024 WALKER MFG. CO**