

**COMPACT
RUGGED
EFFICIENT**

REX3



REX3 F GE

3-060 • 3-070 • 3-080

Landini

Passion for Innovation.



R



LANDINI REX3, CHAMPION IN COMPACTNESS

Sometimes a long-established tradition may become the driving force for a revolution. The history of specialty tractors, which started with Landini, now continues with a new addition, the **REX3**, a model designed to further highlight the compact design and maneuverability of the REX range.

The **REX3** is a professional tractor with power ratings up to 75 hp specially designed for use in orchards, vineyards, olive groves, hazel groves and overhead trellis systems. Extremely compact, easy to handle and powerful, the **REX3** is equally at home in municipal applications.

The new **REX3** offers substantial improvements in terms of compact design, configuration flexibility, manoeuvrability, ease of use and comfort. A variety of unique features allow the operator to work the tractor with maximum ease and comfort. A low-profile cab and a minimum hood height of only 1256 mm from ground, the lowest in its class, allow maximum visibility to the rear and front, while providing easy access to low-ceiling areas. In addition, the tractor's tight turning radius makes headland turns easier and quicker, thereby reducing working time and fuel consumption while improving operator comfort.

The Landini **REX3** certainly does not go unnoticed: the sleek and dynamic lines of the hood with the lights seamlessly integrated into the front grille give this tractor an automotive look and feel. A contemporary design which fully reflects the company's ability to respond to customer needs for innovation, productivity and comfort, whilst staying true to tradition.



HIGHLIGHTS

- The **REX3 GE** boasts the lowest engine hood in its class: only 1256 mm above the ground. This makes it perfect for moving under low-hanging branches, overhead trellis systems and tunnel crops, as well as for greenhouse operations.
- With a minimum width of just 1358 mm, the **REX3** is also ideal for use between tight orchard rows.
- The driving position is available in three versions: Low-profile cab or ROPS for the F and GE models; Standard cab for the F model only.
- The excellent weight distribution and the low centre of gravity of the **REX3** ensure stability and safety in any condition including on hillsides and sloping ground.
- The synchro shuttle transmission, entirely designed and developed by Argo Tractors, offers 4 gears and up to 4 ranges and can be optionally equipped with a creeper. Top speed up to 40 km/h.
- The front axle features an electrohydraulically controlled full locking differential and four-wheel braking.
- The Kohler KDI 2504 TCR four-cylinder turbo engine with aftercooler and common rail injection system provides up to 50% torque backup for quick response both in the field and on the road.
- The **REX3 F** models deliver 55, 68 and 75 hp, respectively. The **REX3 GE** is powered by a 75-hp engine.

The Landini **REX3** is a true champion of versatility. In the standard configuration, this tractor will handle all kinds of tasks and field conditions in the most efficient manner. And to make your work even simpler and more productive, the **REX3** offers a wide variety of options such as the low-profile cab designed by Argo Tractors and directly installed at Landini factory or the waffle rims derived from high-power tractors which allow for higher loads and increased stability on the road. The **REX3** comes in two models designed for specific applications:

- **F model** for vineyards and tight orchards rows;
- **GE model** for orchards, low vineyards and crops grown on overhead trellis systems or under tunnels.

REX3 F



REX3 GE



REX3 F STANDARD CAB



REX3 F - GE LOW PROFILE CAB





HYDRAULIC SYSTEM

Highly versatile, to meet your specific needs
page 16



LOW-PROFILE AND STANDARD CAB

Perfect visibility and first-class comfort
page 6



ENGINE

Tuned for instant response
page 20



FRONT AXLE

Champion of manoeuvrability
page 14



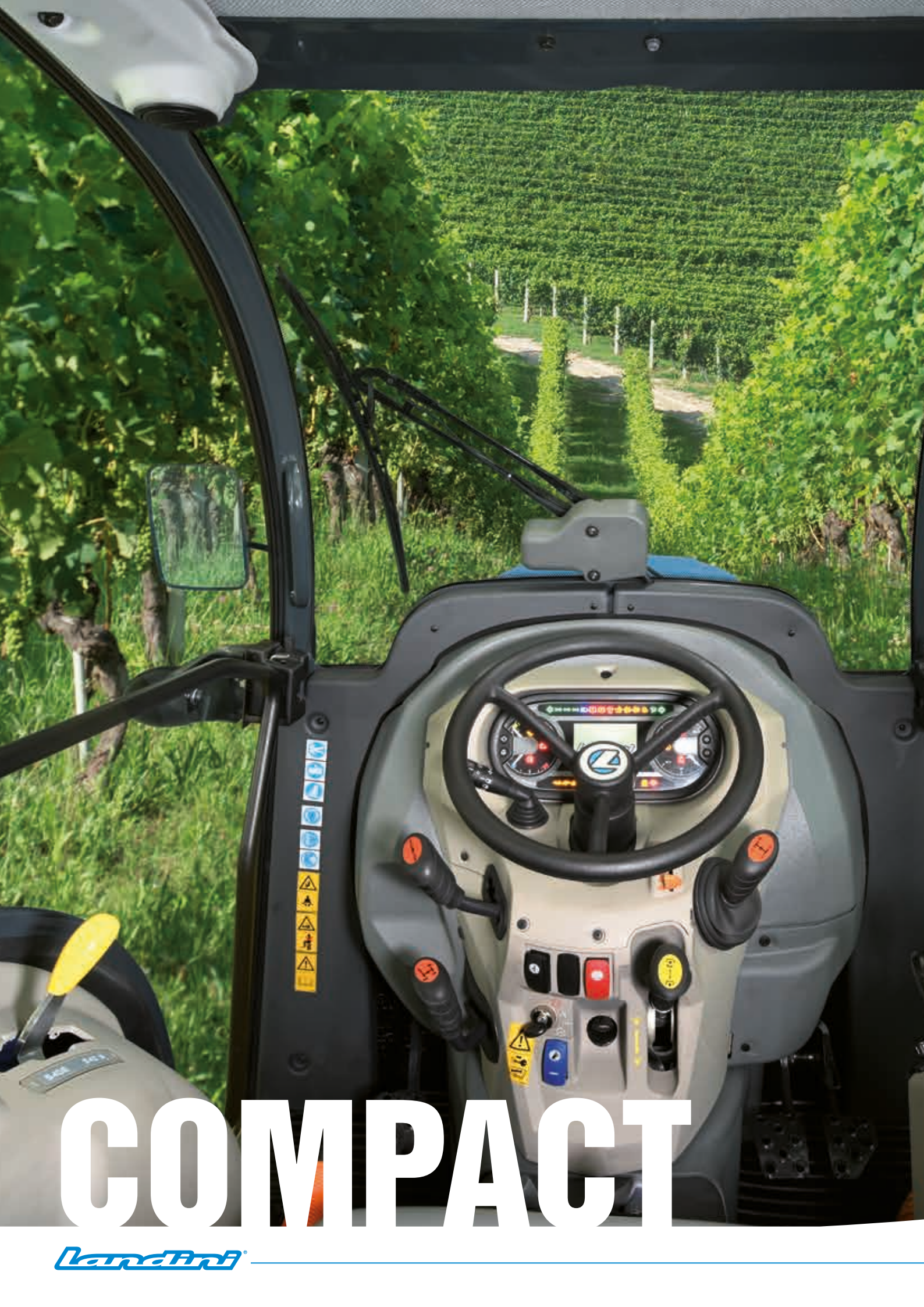
TRANSMISSION

Rugged, perfect to suit every need
page 10



REAR HITCH

Powerful and efficient
page 17



COMPACT



LOW-PROFILE SINGLE-FRAME CAB: SAFE ACCESS TO HEIGHT RESTRICTED AREAS

The innovative low-profile cab fitted on the **REX3** is designed by Argo Tractors and directly installed at Landini. The cab is a single-frame safety cell which allows the ROPS to be removed, thereby improving visibility both to the front and to the sides of the vehicle. The cab of the **REX3** features a large glazed area with a curved front windscreen that provides easy access to low-ceiling areas. The cab roof has a tapered shape and a maximum width of only 860 mm. With an overall height of only 1875 mm, the **REX3** works easily between crop rows oriented transversally to the slope direction. Large doors provide ease of access to the driving position. All tractor controls are ergonomically arranged for maximum comfort and designed for intuitive operation. The adjustable steering wheel features an engine speed memory button that speeds up headland turns.

The low-profile single-frame cab of the **REX3** is perfectly sound-proofed and comes standard with an efficient air conditioning system which maintains a comfortable working environment whatever the outdoor weather conditions. The cab filters are fitted onto the rear posts making for quick and easy cleaning.

STANDARD



STANDARD CAB: FIRST-CLASS COMFORT FOR BEST-IN-CLASS PRODUCTIVITY

Landini knows that more comfort means more productivity. For this reason, the company has designed and developed the Standard cab, a driving and working environment with automotive-style interior that allows the driver to ride in comfort whatever the season.

The four-post design and the rear-hinged doors provide ease of access to the driving position and offer unequalled all-round visibility. Inside the Standard cab everything is comfortably arranged and within easy reach: the driving position is fully adjustable,

the steering column can be tilted to suit the driver's needs, all control levers and pedals are ergonomically positioned for maximum ease of operation and the digital instrument panel keeps the operator constantly informed on the tractor performance. All this within a space of only 1.1 m width. Thanks to these features, the Standard cab improves driving safety, reduces fatigue and allows greater concentration on the job in hand, thereby making for increased productivity.

HIGHLIGHTS

- The **REX3** is available with Standard or Low-profile cab for use in height-restricted areas and ROPS for low-clearance operations.
- The Low-profile cab is a single-frame design and is directly installed at Argo Tractors factory.
- Large doors for access to the driving position.
- Ergonomically-designed driving position and logically-arranged, intuitive controls for maximum comfort of operation. Adjustable steering wheel. High-quality, automotive-grade fit and finish.
- A highly-efficient air-conditioning system standard on the Low-profile cab and two rear LED work lights.
- Four-post design for exceptional all-round visibility on the Standard cab.
- The **REX3 GE** with Low-profile cab has a minimum height above the ground of only 1875 mm.



EXCELLENT CLIMATE CONTROL

A highly-efficient climate control system, installed on the cab roof, maintains the desired cab temperature whatever the outdoor weather conditions. The climate controls are conveniently integrated into the overhead console on the driver's left-hand side.

TAPERED WINDSCREEN FOR ALL-ROUND VISIBILITY

The front windscreen is tapered towards the top providing excellent all-round visibility and unobstructed view over rear- and mid-mounted implements. The operator remains seated in the ideal working position without leaning out. This diminishes fatigue and stress, thereby reducing working errors.



LOW-PROFILE CAB

The innovative Low-profile single-frame cab fitted on the **REX3** tractor range is designed, manufactured and installed at Argo Tractors factory. The upper section of the cab is welded to the lower shell, making it into a totally safe single-frame cell. This design allows the ROPS to be removed, resulting in enhanced visibility to the front and sides.

REAR LED LIGHTS

The Low-profile cab of the **REX3** features two rear LED lights that provide optimum illumination for safe work at night or in low light conditions. The LED beacon is a low-profile design to allow easy access to low-ceiling barns and sheds.



RUGGED





SPEED FOUR, THE RUGGED TRANSMISSION THAT SUITS EVERY NEED

The **REX3** tractors are equipped with a Speed Four transmission entirely designed and constructed at Argo Tractors factory, which meets the highest standards of quality, ruggedness and reliability. The Speed Four transmission offers four synchronized gears and up to four ranges allowing a maximum speed of 40 km/h. The transmission can be optionally equipped with a creeper that provides 16 forward and 16 reverse gears with speeds as low as 0.4 km/h at maximum engine rpm. The Speed Four transmission features a steering-column synchro shuttle that allows the operator to simply and quickly shift from forward to reverse without taking their eyes off the road.





LOW SOIL COMPACTION

The **REX3** combines lightweight and ruggedness and with a total weight of only 2200 kg ensures a reduced amount of soil compaction.

POWER TAKE-OFF

The **REX3** offers a choice of PTO speeds to suit any requirement. Options include 540, 540/540E and 540/1000 rpm plus a ground speed PTO.



SYNCHRO SHUTTLE

The **REX3** offers standard a synchro shuttle with control lever adjacent to the steering wheel.

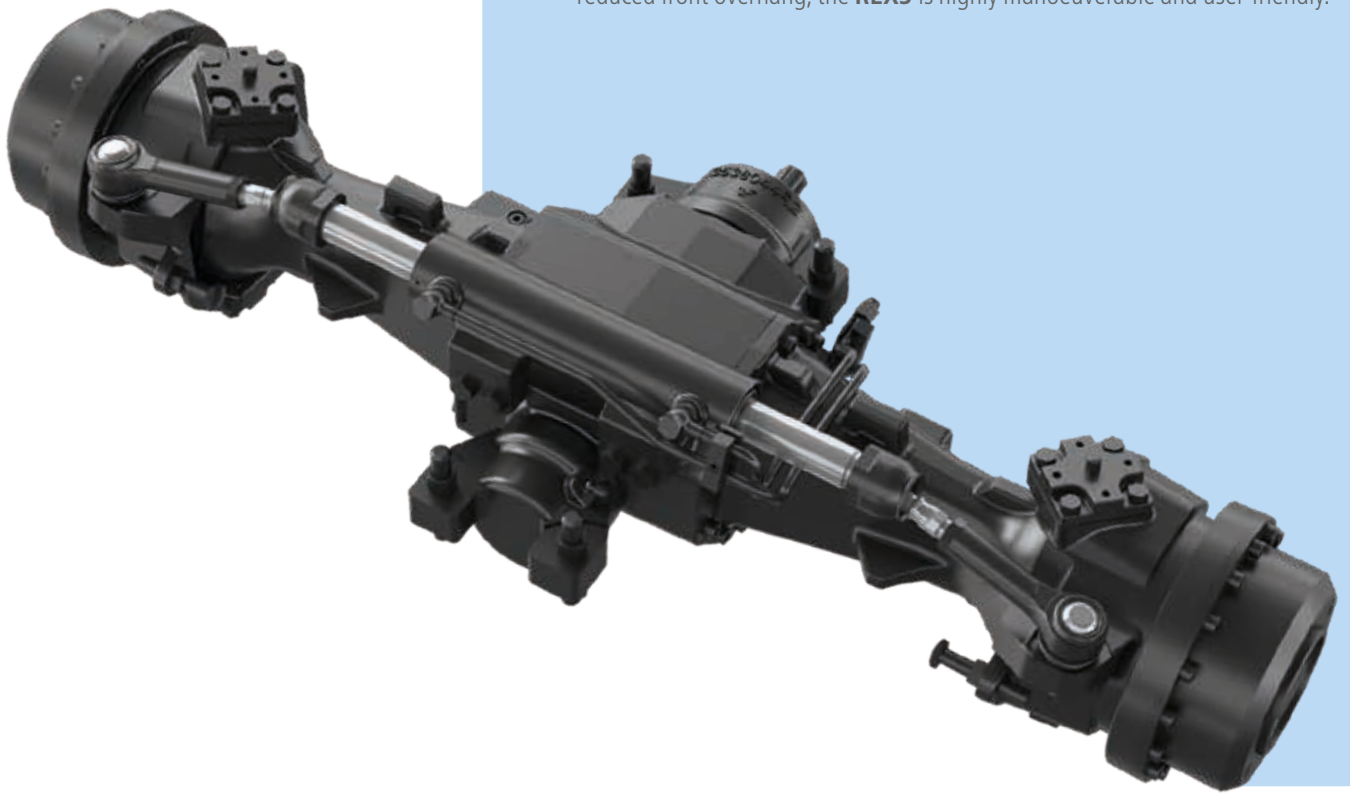


MODULATED PTO ENGAGEMENT FOR MORE COMFORT

An ergonomically-located lever enables smooth and modulated engagement of the PTO.

OPTIMUM MANOEUVRABILITY

With a 55-degree steering angle, a wheelbase of only 1950 mm and a reduced front overhang, the **REX3** is highly manoeuvrable and user-friendly.



HYDRALOCK FRONT AXLE FOR UNMATCHED MANOEUVRABILITY

The **REX3** comes standard with a Hydralock rigid front axle. Designed and manufactured at Argo Tractors factory according to the highest quality standards, the Hydralock axle features a full electrohydraulic locking differential that maximises all-wheel traction reducing wheel slip and ensures efficient braking on all four wheels for maximum safety in any situation.

In addition, a 55-degree steering angle provides excellent manoeuvrability in confined spaces.



MID-MOUNTED SUPPORTS STANDARD

The **REX3** features mid-mounted supports for the attachment of implements specifically designed to work between tight rows or in confined spaces where a reduced footprint is required.

FRONT HITCH AND PTO FOR UNEQUALLED VERSATILITY

A front hitch and PTO are available as an option to add greater versatility to the **REX3** tractor range. The Category 2N front hitch is equipped with quick couplings and offers a lifting capacity of up to 1000 kg. The front PTO provides a speed of 1000 rpm.

REINFORCED WAFFLE RIMS FOR HIGH PERFORMANCE AND COMFORT

The **REX3** can be optionally fitted with reinforced waffle rims capable of supporting heavier loads in the field and improving stability during transport for enhanced driving comfort and safety.

ELECTROHYDRAULIC DIFFERENTIAL LOCKS FOR MAXIMUM TRACTION

The combined front and rear differential locks and the electrohydraulic four-wheel drive engagement ensure maximum traction even in the toughest ground conditions.





A VERSATILE HYDRAULIC SYSTEM TO SUIT YOUR NEEDS

The hydraulic system of the **REX3** is designed to offer the versatility and flexibility required to meet the specific needs of orchard and vineyard growers. The hydraulic system comes standard with a dual pump that supplies 50 l/min to the rear hitch and to the remotes and 30 l/min to the steering system.

The tractor can be equipped with up to three rear remote valves: two standard and one with float function. One valve has double outlets to allow the use of mid-mount couplers (optional) for connecting front- or mid-mounted implements, such as toppers or leaf strippers. Optionally, the hydraulic system can be equipped with a push-pull quick-release coupling for free flow oil return.



REAR HITCH WITH SUSPENSION SYSTEM

A unique suspension system derived from high-power tractors can be mounted onto the rear hitch of the **REX3** to integrate the ELS system. The system reduces shock loadings on the tractor during transport, making for greater stability and improved ride comfort and safety on all terrains.



TRANSMISSION OIL COOLER AND REMOTE VALVES

The transmission oil cooler and the hydraulic remote valves make the **REX3** a highly efficient specialty tractor.



POWERFUL AND EFFICIENT REAR HITCH

The powerful rear hitch with draft sensing on the three-point linkage is mechanically operated and provides a maximum lift capacity of 2700 kg. The hitch can be optionally equipped with the ELS system (*Ergonomic Lift System*) which allows the operator to preset the height of the hitch and implement assembly for easy headland operations, thereby reducing working time and operator fatigue. Optionally, the lower links can be adjustable in length and width. The lengthwise adjustment makes for correct tractor weight distribution when rear implements are attached. This helps keep the implement closer to the tractor to improve grip and stability, ensuring maximum safety on sloping terrain. The crosswise adjustment regulates the distance between the rear quick-release couplings in order to achieve the best position for attaching the implement.



HIGHLIGHTS

- The **REX3 GE** boasts the lowest hood height in its class, only 1256 mm from ground, making it ideal for greenhouses, tunnel crops and low-height rows
- Easy, uncluttered access to the driving position
- Comfortable driving position and ergonomically-arranged controls
- Excellent front and rear visibility

WELL-DESIGNED ERGONOMIC DRIVING PLATFORM

The ROPS version of the **REX3** has been designed with painstaking attention to every detail, combining beauty and functionality. The sleek, dynamic lines of the hood and the rounded profile of the fenders allow the tractor to move easily under low-hanging branches and through narrow rows. Spacious, comfortable and safe, the driving position ensures exceptional all-round visibility, thereby maximising productivity.





LOW PROFILE, HIGH RESULTS

The **REX3** is designed to maximise productivity and operator comfort. The foldable two-post ROPS allows easy operation in low-clearance situations. In addition, the GE version boasts the lowest hood height in the conventional tractor segment up to 75 hp. And that's not all, the steering wheel

is lower than the hood to allow operator to maintain a firm grip when passing under low-hanging branches. Also, all control levers are located adjacent to the steering wheel, this leaves the central tunnel uncluttered for easier access and improved comfort of operation.

MORE COMFORT AND LESS FATIGUE: THE OPERATOR IN FOCUS

The driving position of the ROPS version has been designed to allow ease of movement and to reduce operator fatigue during long working days in the field. The spacious platform allows easy access to the driving position. The optimum distance between the driver's seat and the steering wheel and the ergonomic arrangement of all controls make for maximum comfort and ease of operation. The low tractor height simplifies and speeds up work in height-restricted areas.





KOHLER KDI 2504 TCR ENGINE FOR QUICK RESPONSE IN EVERY SITUATION

A new heart beats under the hood of the Landini **REX3**, it is a Kohler KDI 2504 TCR four-cylinder turbo aftercooled engine specially designed to ensure efficient and durable performance. The Kohler engine is equipped with a common rail injection system that delivers high horsepower and instant response to accelerator inputs while reducing fuel consumption and exhaust emissions.

The three models in the **REX3** series offer power ratings of 55, 68 and 75 hp. They feature an exhaust after-treatment system consisting of a diesel oxidation catalyst (DOC) and a passive-regeneration diesel

particulate filter (DPF) which reduces downtime, maximising efficiency and productivity. With a maximum torque of 315 Nm and up to 50% torque backup, the **REX3** offers superior levels of performance both in the field and on the road. In addition, a 50-litre fuel tank ensures extended operation without refuelling. Fuel efficiency is further enhanced with the Engine Memo Switch, a device that allows the operator to store and recall the engine speed most suited to the implement used. This automation simplifies and speeds up work and minimises the risk of error reducing operator's stress.

EFFICIENT

EGR + DOC SYSTEM TO MEET STAGE V EMISSIONS REGULATION

An innovative exhaust gas recirculation system (EGR) combined with a diesel oxidation catalyst (DOC) and with a passive-regeneration diesel particulate filter (DPF) ensures full compliance with Stage V emissions regulations.







CONVENIENCE

QUICK MAINTENANCE TO GET YOU BACK UP AND RUNNING

Designed to deliver maximum efficiency and reliability, the **REX3** tractor range offers a variety of solutions to simplify and expedite maintenance.

1. Tilt-up hood opens wide and side panels can be removed to provide easy access to the engine compartment for maintenance and radiator cleaning.
2. Oil filler cap is placed in the lower part of the engine, so topping up of engine oil can be done without opening the hood.
3. Engine air cleaner is positioned in such a way as to speed up cleaning and replacement.
4. Cooling radiators mounted in the engine front and laterally-removable dust cover allow for simple and fast cleaning.
5. Fuel tank is conveniently placed in front of the driving position to allow quick filling.
6. In-cab air cleaner is easily accessible for maintenance.
7. Oil level in the transmission can be conveniently checked through the oil filler cap with level gauge placed on the rear of the tractor.





LANDINI SPARE PARTS AND SERVICE, TO GIVE YOU THE BEST ALWAYS

Landini is worldwide recognized as a reliable supplier of high-quality spare parts and after-sales services. Developed by the same engineers who design and manufacture the Landini tractors, genuine Landini parts are designed and manufactured to the highest quality standards to ensure tractors reliable performance and maximum safety.

The pluses of Landini's after-sales service include following:

- Spare parts are delivered promptly and efficiently to Landini's dealers on the same day of order.
- Each part comes with a 12-month warranty and bears a non-falsifiable hologram which certifies its build quality and genuineness.
- Original Landini parts are reliable and convenient, as they enhance the working quality and efficiency of **REX3** series tractors.

The after-sales service is handled by our dealers through a team of highly-skilled, solution-oriented technicians who avail themselves of the latest diagnostic techniques. Choosing Landini means choosing excellence.







LANDINI, A LONG HISTORY OF SUCCESS

Giovanni Landini had a dream: to change forever the history of farming by bringing the power of machines into the fields. He pursued his goal with great determination and, in 1884, he finally realised his dream by founding the Landini company. Landini's long history is marked by continued innovation in design and production processes and by a strong commitment to customers. In 1982, the company produced its first specialized orchard tractors. In 1986, Landini extended its line of specialty tractors with the addition of a vineyard tractor range.

In 1994, Landini was acquired by the Argo Industrial Group. The acquisition enabled the company to expand its international presence by creating a worldwide network of subsidiaries and distributors. Giovanni Landini's dream was to make farm work less tiring and more productive. That dream is still alive today, since our quality of life is closely linked to the quality of agricultural production.



A CEDAR OF LEBANON WHICH TELLS THE HISTORY AND TRADITION OF THE LANGHE

On top of the Monfalletto hill, in the heart of the Barolo wine region, rises a majestic Cedar of Lebanon. Some of the pictures of the Landini **Rex3** have been taken in the vineyards surrounding the tree. The Cedar was planted back in 1856 by Costanzo Falletti and Eulalia della Chiesa, ancestors of the Cordero di Montezemolo family, owners of the estate, in memory of their wedding and as a symbol of their love for land, to be handed down to future generations. The Manfellotto

estate dates back to 1340 and the production of wine has been documented for over 200 years. Today, all vineyards of the Manfellotto estate have obtained the organic certification and are classified according to solar exposure, soil type and altitude. To protect environment and people's health, only minimally invasive cultivation techniques are used. The Manfellotto estate welcomes its guests in four comfortable suites in the vicinity of the cedar.

FONTANAFREDDA ESTATE, THE CULTURE OF QUALITY

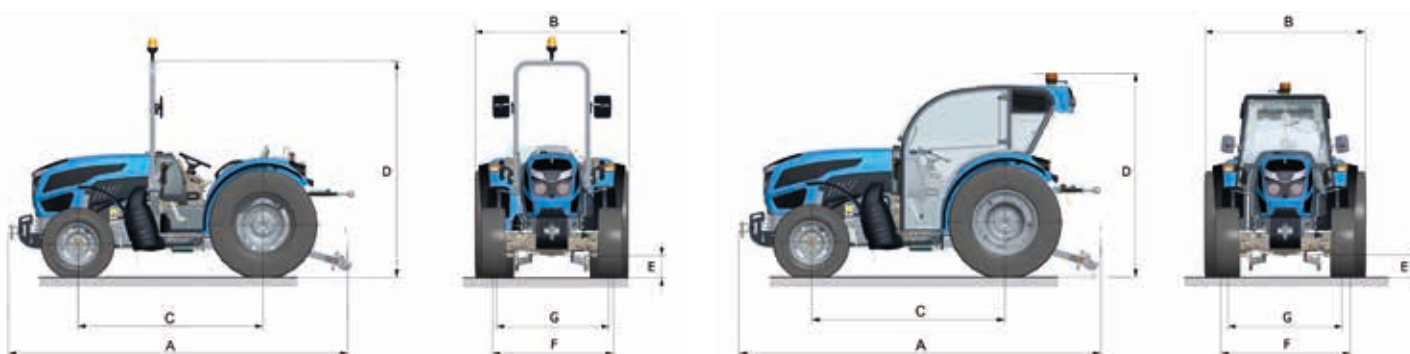
The rolling hills of the Langhe, in Piedmont, known all over the world for unique products like Barolo and White Truffle and now Unesco heritage site, are the magnificent setting of the pictures of this brochure. Here the Rex3 has been welcomed by our friends of the Fontanafredda estate. The history of the Fontanafredda begins in 1858, when the estate is purchased by King Vittorio Emanuele II as a gift for his mistress, "La Bela Rosin". Today, the estate covers a total of 122 hectares (301 acres), with 100 hectares (247 acres) dedicated to wine growing and cultivated according to organic farming principles, a wood of 12 hectares (30 acres) and an ancient hamlet of 10 hectares (25 acres). The Fontanafredda estate surprises the visitor with its spectacular nineteenth-century wine cellars, amongst the most beautiful in the world, and with the century-old trees of the Wood of Thoughts. The estate also has a Wine Shop with library and guests can enjoy traditional and seasonal dishes choosing between the Michelin-starred restaurant Guido and the osteria Disguido. A culture of quality and hospitality that can be also breathed in Italy's first scattered hotel, le Case dei Conti di Mirafiori nelle Vigne. In 2017, the Fontanafredda estate was awarded the title of "European Winery of the Year".



		REX3-060 F	REX3-070 F	REX3-080 F / GE
ENGINE				
Maximum power ISO	hp / kW	54,5 / 40	68 / 50	75 / 54,5
Rated power	rpm	2200		
Engine speed at maximum power	rpm	1900		
Maximum torque	Nm	260	315	315
Torque backup		50%	45%	32%
Manufacturer - Brand		Kohler		
Engine type		2,5 Kohler KDI		
Stage V / Tier 4 Final exhaust gas after-treatment		EGR/DOC		
Cylinders / Displacement / Valves	cm ²	4 / 2,5 l / 16		
Air intake system		turbo aftercooler		
Fuel injection system		electronically-controlled high-pressure common rail injection system		
Cooling system		liquid cooled		
Engine memo switch		●		
Fuel tank capacity	l	50		
CLUTCH				
Type		11" - independent dry dual clutch		
Control		● mechanical		
TRANSMISSION				
Type		Speed Four transmission with 4 ranges and up to 4 synchronized gears		
No. of gears		● 12 FWD + 12 REV without creeper - ○ FWD + 16 REV with creeper		
Minimum speed	km/h	0.4 with creeper		
Maximum speed	km/h	40		
Transmission control		manual		
Reverse shuttle		synchro shuttle with lever adjacent to the steering wheel		
FRONT AXLE				
Front rigid axle		● Hydralock type		
Traction		electro-hydraulic 4-wheel drive engagement		
Maximum steering angle		55°		
Front differential lock		100% electro-hydraulic		
Rear differential lock		100% electro-hydraulic		
BRAKING SYSTEMS				
Front braking system		automatic four-wheel drive engagement while braking		
Rear braking system		wet multi-disc brakes		
Trailer braking system		○ hydraulic trailer braking or hydraulic braking according to MR and EEC directives		
Engine brake		●		
HYDRAULIC SYSTEM				
Rear hitch hydraulic pump - flow rate	l/min	50		
Steering pump - flow rate	l/min	30		
Rear remote valves, type, min - max		mechanical, 1 - 3		
Mid-mounted remote valves		○ 1 rear remote valve with double outlets for mid-mount couplers		
Rear free flow return line with quick-coupling		○		
REAR 3-POINT HITCH				
Mechanically-controlled rear hitch		3-point hitch draft control, position control, mixed control, float position		
Category - coupler type		II - quick-couplers		
Ergonomic Lift System (E.L.S.) with hydraulic damping system		○		
Length and width adjustment of lower links		○		
Standard lifting capacity	kg	● 2200		
Maximum lifting capacity with heavy-duty hitch and E.L.S. system	kg	○ 2700		
REAR PTO				
Type		mechanical		
Speeds	rpm	540 / 540+540 E / 540+1000		
Rotation - spline shaft type		clockwise (viewed from tractor rear) - ● 1" 3/8" shaft with 6 splines		
Ground speed PTO		●		

	REX3-060 F	REX3-070 F	REX3-080 F / GE
FRONT 3-POINT HITCH			
Mechanically-controlled front hitch		○	
Category - coupler type		IIN - quick-couplers	
Maximum lifting capacity	kg	1000	
FRONT PTO			
Type		○ - mechanical	
Speeds	rpm	1000	
Rotation - spline shaft type		clockwise (viewed from tractor front) - 1' 3/8" shaft with 6 splines	
CAB AND DRIVING POSITION			
Low-profile cab		○	
Filter category for low-profile cab		2	
Heating / ventilation		●	
Air conditioning		●	
Opening rear windscreen		○	
Digital instrument panel		●	
LED work lights for low-profile cab		○	
Low-profile LED beacon for low-profile cab		○	
Iso-mounted platform		●	
DIMENSIONS AND WEIGHTS - MODELS WITH LOW-PROFILE CAB (IN RUNNING ORDER)			
A Length 4WD	mm	3652	
B Minimum width	mm	1358	
C Wheelbase 4WD	mm	1950	
D Minimum height over low-profile cab	mm	1875	
E Minimum ground clearance 4WD	mm	186	
F Minimum front track 4WD	mm	1135	
G Minimum rear track 4WD	mm	1064	
Weight 4WD in running order without ballast	kg	2500	
DIMENSIONS AND WEIGHTS - MODELS WITH ROPS (IN RUNNING ORDER)			
A Length 4WD	mm	3652	
B Minimum width	mm	1358	
C Wheelbase 4WD	mm	1950	
D Minimum height over ROPS	mm	2214	
E Minimum ground clearance 4WD	mm	186	
F Minimum front track 4WD	mm	1135	
G Minimum rear track 4WD	mm	1064	
Weight 4WD in running order without ballast	kg	2200	
OPTIONAL EQUIPMENT			
6 front weights 24 kg each		○	

Key: ● standard ○ Option





Landini®

Passion for Innovation.

