



HITCH YOUR TRACTOR TO HIGH PERFORMANCE



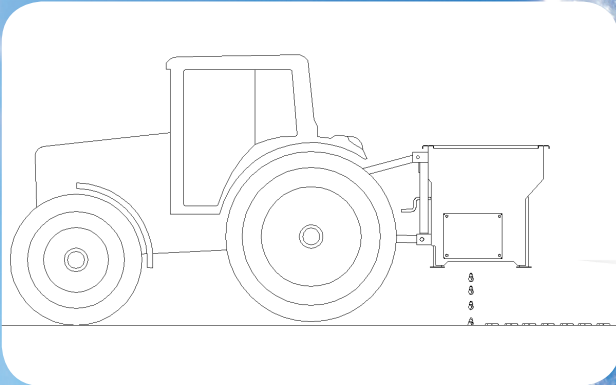
S3P + salt and sand spreader is perfect for controlling ice and snow on roads, driveways, sidewalks and other applications.

SALT AND SAND SPREADER
S3P +

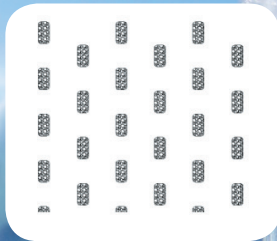


COVER OPTIONAL

The cover has a hinge self-locking in open position, to favor loading.



The spreader is mounted on the 3-points rear tractor hitch. Category # 1



SPREAD

You can get the desired flow by adjusting the rotational speed of the hydraulically-powered feeding roller as well as the opening of the shutter.

SPECIFICATIONS	S3P-50 +	S3P-60 +
CAPACITY (YARD/LB) THE CAPACITY MAY DEPENDED THE MATERIAL UTILISED	0,46 yard 996 / 452	0,57 yard 1215 / 551
SPREAD WIDTH (IN/MM)	43" 1092	53" 1346
OVERALL WIDTH (IN/MM)	50" 1270	57" 1448
DEPTH (IN/MM)	34" 864	34" 864
HEIGHT (IN/MM)	37" 940	37" 940
HYDRAULIC MOTOR	Included	Included
CUSHION VALVE	Included	Included
CHECK VALVE	Included	Included
TOP SCREEN	Included	Included
COVER	Option	Option
HITCH CATEGORY	# 1	# 1
WEIGHT (LB/KG)	375 / 170	415 / 188
REQUIRED : GPM MINIMUM @ MAXIMUM	8@16 GPM	8@16 GPM
PSI MINIMUM	1 300 PSI	1 300 PSI



Normand Co. Ltd
340, Tache Street
Saint-Pascal (Quebec) Canada G0L 3Y0

T : 418 492-2712
1 888 666-7626
F : 418 492-9363

E-mail : normand@cienormand.com

www.cienormand.com

www.facebook.com/cienormand



The manufacturer reserves the right to modify the products shown without notice.

DEALER

© Normand® Co. Ltd 2021 All Rights Reserved