



# MECHRON

22 HP



# MECHRON

Go anywhere, and have fun doing it.

With 4WD, adjustable rear wishbone suspension, the widest cargo bed in its class, plus models with one or two rows of seating to choose from, if you have land, you should have one of these bad boys.

**Power Steering Models**

**54" Wide Cargo Bed**

**12" Ground Clearance**

**1 & 2 Row Models**

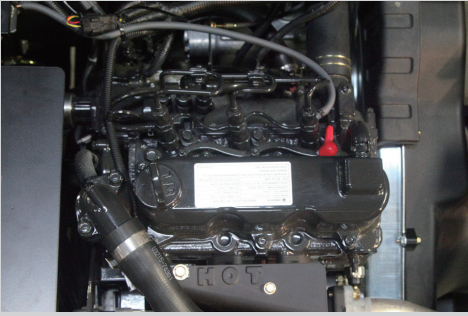
**Heavy Duty Work Horse**

**Field Option Cab Available**

**KIOTI**

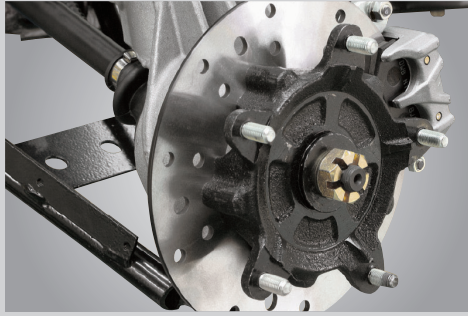
**KIOTI**  
**4x4**





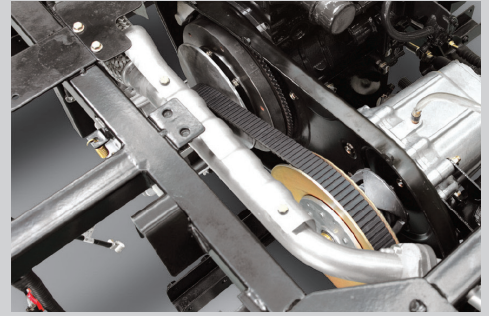
### Engine

The Daedong (1,007cc, 22hp) diesel engine has been field proven for durability and dependability while offering improved fuel economy.



### Brake System

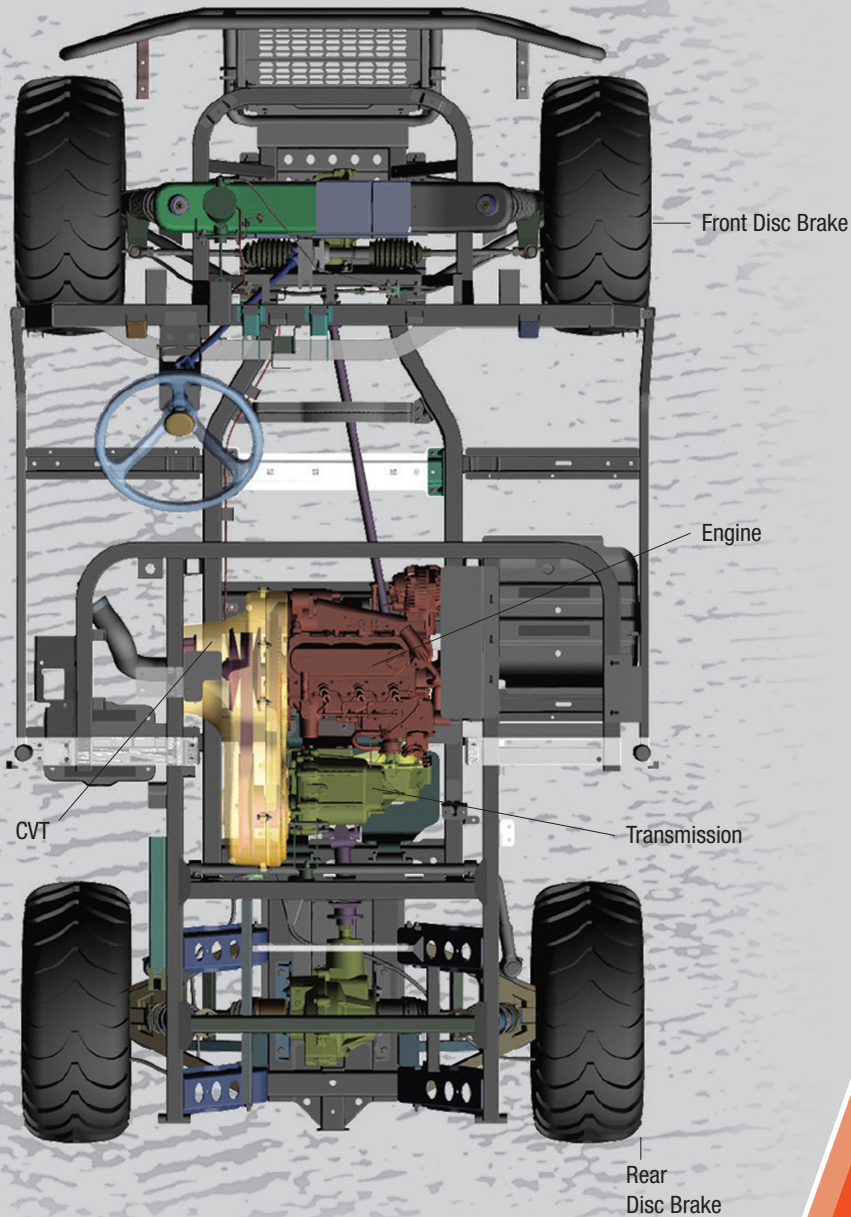
Long lasting front and rear hydraulic disc brakes with a mechanical parking brake provide excellent performance and enhanced safety.



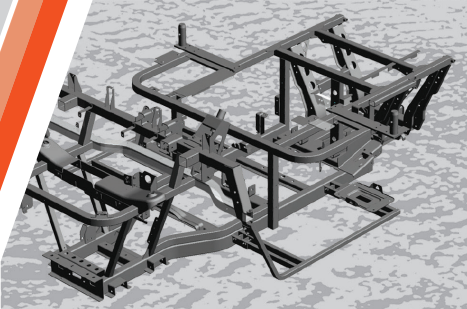
### Transmission

The MECHRON uses a continuously variable transmission(CVT) and has a time proven Daedong gear box with two speeds(Hi/Lo) and 4WD.

## Powertrain Layout

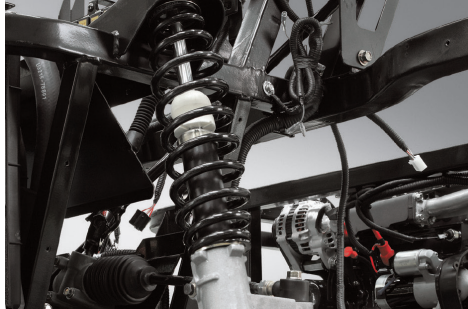


# POWERFUL ACCELERATION WITH A DAEDONG DIESEL ENGINE



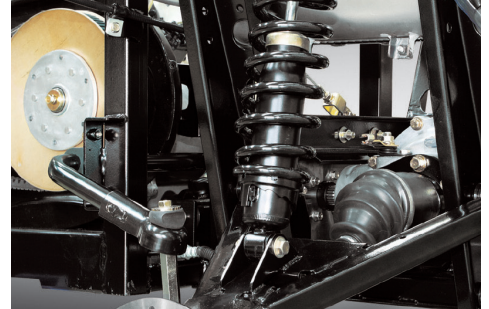
## Solid Frame

The MECHRON's robust body frame with strong tubular steel and welded ROPS will protect drivers and passengers.



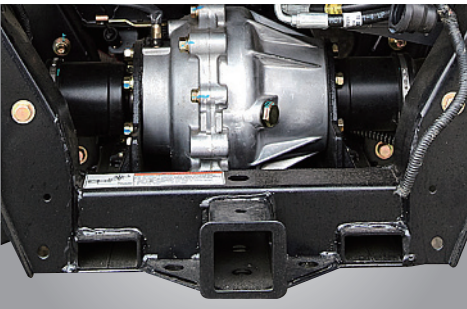
## Front Suspension

A MacPherson Strut type suspension ensures the best ride of all the competition while providing the driver excellent road-feel and control.



## Adjustable Rear Suspension

With an adjustable Wishbone type suspension, you can fine tune the MECHRON for the smoothest possible ride whether carrying a load or empty.



## Rear Hitch Receiver

A 2-inch rectangular hitch receiver enables you to attach a trailer and receiver equipped implements.



## Tire Options

With four tire options, owners can customize the MECHRON to fit their needs. Aluminum wheels are available on Heavy Duty, ATV and Tomahawk tires.



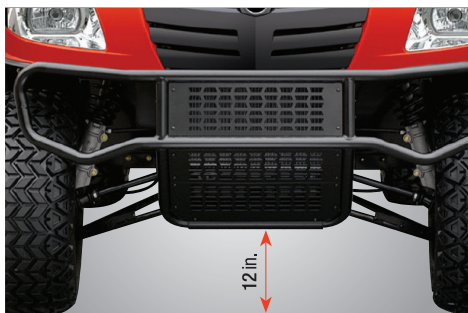
## Wheels

12-inch wheels and 25-inch tires provide a smooth ride and more ground clearance.



## Differential Locks

- Front: Limited Slip Differential
- Rear: Mechanically Actuated Differential Lock



## Ground Clearance

Don't get stuck on the trail. With 12 inches of ground clearance, you can easily climb over obstacles.



## Rear Fenders

Reinforced, molded rear fenders mounted under the bed deck keep you and your MECHRON clean under the muddiest conditions.



## FIELD OPTION CAB

(Option on 2200/2200PS)

The KIOTI Field Option Cab provides an opening windshield, sliding rear and door glass, dome lamp, wipers with washer fluid switch and an optional heater.



## Floor

With a flat walk-through design, the MECHRON has excellent leg and foot room for easy entry and exit.

The MECHRON 2240 offers two rows of seating creating a comfortable environment for 4 people.



## Dashboard

With its cockpit-like looks, the ergonomically located controls and instruments allow the driver to view critical functions at a glance.



## Shift Levers

An in-line shift makes range selection simple and easy. 4WD selection and rear differential lock are engaged with a single pull knob.



## Canopy (Option)

An impact resistant plastic canopy helps to protect the driver and passengers.



## Hood

The sleek design of the reinforced plastic hood provides a strong and dynamic look.



## Brush Guard

The heavy duty steel brush guard offers protection for the headlights and radiator from rocks, tough brush, and other debris on the trail.



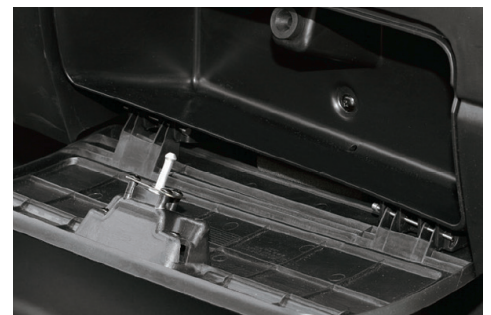
## Cargo Bed

The MECHRON provides excellent payload capabilities and has the widest cargo bed in its class. Add the optional hydraulic dump kit and you can easily place any load where you want it.



## Bench Seat

With a contoured bench seat that is the widest in its class, the 2200 offers room to seat three comfortably. Seat belts are standard for safety.



## Storage Compartments

An open dash storage area on the driver side is complemented by a closed dash storage area with a water proof lid on the passenger side.



OHSAS 18001  
NO:K033008

## SPECIFICATIONS

MODEL	MECHRON 2200	MECHRON 2200PS	MECHRON 2240
<b>ENGINE</b>			
Model	3C100LFU-U		
Type	3Cyl., In-line Vertical, Water-cooled 4-cycle diesel engine		
Engine Gross	hp (kW)	22 (16.4)	
Displacement	cu. in. (cc)	61.45 (1,007)	
Rated Revolution	rpm	2,800	
Fuel Tank Capacity	US gal. ( ℓ )	7.4 (28)	
<b>DRIVE TRAIN</b>			
Type	Type Belt CVT		
Gear Range	Low, High, Neutral, Reverse		
Ground Speed	mph (km/h)	0-25 (0-40)	
Brake	Front/Rear Hydraulic Dry Caliper Disc		
<b>SUSPENSION</b>			
Front Suspension	Independent, MacPherson Strut type		
Rear Suspension	Independent, Double A-Arm (Wishbone type)		
<b>STEERING</b>			
Type	Rack & Pinion	Hydraulic Power	
<b>DIMENSIONS / CAPACITY</b>			
Length	in. (mm)	112.3 (2,852)	146.7 (3,725)
Width	in. (mm)	60.7 (1,543)	
Height	in. (mm)	76.4 (1,940)	
Max. Wheel Tread	Front	49.7 (1,262)	
	Rear	48.3 (1,228)	49.8 (1,264)
Wheelbase	in. (mm)	76.4 (1,940)	108.7 (2,760)
Weight (with ATV Tires)	lbs. (kg)	1,861 (844.1)	1,939 (979.5)
Ground Clearance	in. (mm)	12 (304)	
Towing Capacity	lbs. (kg)	1,300 (590)	
Payload Capacity	lbs. (kg)	1,598 (725)	
Turning Radius	ft. (m)	13.1 (4)	17.7 (5.4)
Seat Capacity / Style		3 / Bench	2 Per Bench / 2 Bench Seats
<b>CARGO BED</b>			
Length x Width x Depth	in. (mm)	38.6 (980)×56.2 (1,427)×11.5 (293)	
Bed Capacity	lbs.(kg)	1,102 (500)	662 (300)
Dump Box Actuation		Manual	
<b>TIRE SIZE</b>			
Front	Heavy Duty Worksite	25×10-12	
	Turf	26×9.5-12	
	ATV	25×10-12	
	Tomahawk	25×10-12	
Rear	Heavy Duty Worksite	25×10-12	
	Turf	26×9.5-12	
	ATV	25×11-12	
	Tomahawk	25×10-12	
<b>BODY</b>			
Body Color		Red / Green	
<b>STANDARD EQUIPMENT</b>			
Front Guard		Standard	
Speedometer		Standard	
Rear Hitch Receiver		Standard	
Safety Lamp Kit (Brake Lights, Turn Signal Lamps, Hazard Switch)		Standard	
Winch Bracket	Optional	Standard	Optional

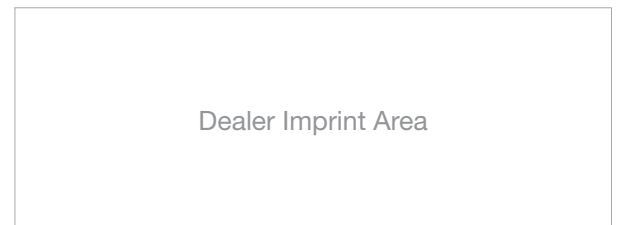
\* NOTE : Specifications and design are subject to change without notice.

## OPTIONAL EQUIPMENT

- Canopy
- Windshield
- Windshield Wiper
- Hydraulic Dumping Bed
- Single Remote Auxiliary
- Hand Throttle
- Skid Plate
- Rear Screen
- Suspension Dust Guard
- Horn
- Fog Lamp
- Work Lamp
- Headrest
- Side View Mirror
- Bed Rail Extension
- License Plate
- Parking Brake Buzzer
- Winch
- Field Option Cab (MECHRON 2200 only)
- Soft Cabin Kit (MECHRON 2200 only)
- Front Hitch Receiver



**KIOTI Tractor Division**  
DAEDONG - USA, INC.  
6300 KIOTI Drive, Wendell, NC 27591 USA  
Toll free 877-GO-KIOTI • Fax 919-374-5001  
Web www.KIOTI.com



Dealer Imprint Area