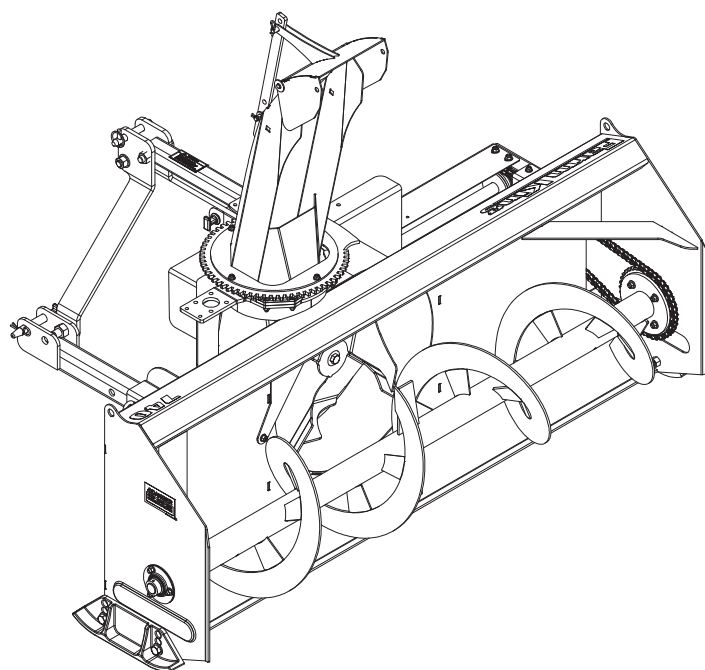


# Farm King

## OPERATOR AND PARTS MANUAL

### Snowblower

Model 74", 84"





# Table Of Contents

**Manufacturer’s Statement:** For technical reasons, Buhler Industries Inc. reserves the right to modify machinery design and specifications provided herein without any preliminary notice. Information provided herein is of descriptive nature. Performance quality may depend on soil fertility, applied agricultural techniques, weather conditions, and other factors.

Warranty Registration Form.....1

Introduction.....3

    Owner’s Information.....5

    Equipment Identification.....6

Safety.....9

    Safety Instructions.....11

    Fire Prevention.....14

    Safety Signs.....16

    Farm King Equipment Signs.....17

    Allied Equipment Signs.....18

    Safety Sign-Off Form.....19

Assembly.....21

    Preparing For Assembly.....23

    PTO Shield.....24

    Hitch Assembly.....24

    Discharge Spout & Deflector.....26

    Hydraulic Spout Rotator.....28

Operation.....29

    Pre - Operation Checklist.....31

    Entering The Operator’s Position.....31

    Leaving The Operator’s Position.....31

    Tractor Requirements.....31

    Connecting The Snowblower To Tractor.....32

    Connecting The PTO Driveline.....33

    Connecting Hydraulic Hoses.....37

    Adjusting Skid Shoe Height.....38

    Theory Of Operation.....39

    Transporting.....40

Maintenance.....41

    Service Schedule Chart.....43

    Lubrication.....44

Chains And Fasteners.....	46
Safety Sign (Decal) Installation.....	47
Storage And Return To Service.....	47
<b>Parts Identification.....</b>	<b>49</b>
Main Components - Open Gearbox.....	51
Main Components - Oil Bath Gearbox.....	55
Oil Bath Gearbox - 84" Models.....	59
Three Point Hitch - 74" Models.....	60
Three Point Hitch - 84" Models.....	61
Hydraulic Spout Rotator.....	62
Hand Crank Spout Rotator.....	63
Hydraulic Spout Deflector Cylinder & Hose Kit.....	64
PTO Shaft.....	65
PTO Additional Components.....	66
<b>Specifications And Shipping Kit Numbers.....</b>	<b>67</b>
Specifications.....	69
Farm King Shipping Kit And Bundle Numbers.....	69
Allied Shipping Kit And Bundle Numbers.....	70
Hardware Torque Values.....	71
<b>Warranty.....</b>	<b>73</b>
Farm King Base Limited Warranty.....	75

## Warranty Registration Form

**This form must be filled out by the dealer and signed by both the dealer and the customer at the time of delivery.**

Customer Name:	
Customer Address:	
City:	Prov / State:
Postal / Zip Code:	Phone:

Dealer Name:	
Dealer Address:	
City:	Prov / State:
Postal / Zip Code:	Phone:

Snowblower Model:	Serial Number:	Delivery Date:
-------------------	----------------	----------------

I have thoroughly instructed the buyer on the above described equipment which review included the Operator and Parts Manual content, equipment care, adjustments, safe operation and applicable warranty policy.

**Dealer Inspection Report**

- Bearings Turn Freely
- Chain Tension Checked
- Skid Shoes Properly Adjusted
- All Fasteners Are Tight
- Lubricate Machine
- Hydraulic Hoses And Fittings Tight (If Applicable)

**Safety**

- Safety Chain On Hitch
- All Decals Installed
- Guards And Shields Installed And Secure
- Review Operating And Safety Instructions
- Check For Hydraulic Leaks (If Applicable)

Date:	Dealer Rep. Signature:
-------	------------------------

The above equipment and Operator And Parts Manual have been received by me and I have been thoroughly instructed as to care, adjustments, safe operation and applicable warranty policy.

Date:	Customer / Owner Signature:
-------	-----------------------------

**Remove this Warranty Registration Form from the Operator And Parts Manual. Make two copies of the form. Send original Warranty Registration Form to Farm King. Give one copy to the customer and the dealer will keep one copy.**

# Farm King



## Introduction

This Operator And Parts Manual was written to give the owner / operator instructions on the safe operation, maintenance and part identification of the Farm King equipment. READ AND UNDERSTAND THIS OPERATOR AND PARTS MANUAL BEFORE OPERATING YOUR FARM KING EQUIPMENT. If you have any questions, see your Farm King dealer. This manual may illustrate options and accessories not installed on your Farm King equipment.

Owner's Information.....	5
Serial Number Location.....	5
Manual Storage.....	5
Equipment Identification.....	6
Component Location - Front View.....	6
Component Location - Top View.....	7

# Farm King





## Owner's Information

Thank you for your decision to purchase a Farm King Snowblower. To ensure maximum performance of your equipment, it is mandatory that you thoroughly study the Operator And Parts Manual and follow the recommendations. Proper operation and maintenance are essential to maximize equipment life and prevent personal injury.

Operate and maintain this equipment in a safe manner and in accordance with all applicable local, state, and federal codes, regulations and / or laws. Follow all on-product labeling and instructions.

Make sure that all personnel have read this Operator And Parts Manual and thoroughly understand safe and correct operating, installation and maintenance procedures.

Farm King is continually working to improve its products. Farm King reserves the right to make any improvements or changes as deemed practical and possible without incurring any responsibility or obligation to make any changes or additions to equipment sold previously.

Although great care has been taken to ensure the accuracy of this publication, Farm King makes no warranty or guarantee of any kind, written or expressed, implied or otherwise with regard to the information contained within this manual. Farm King assumes no responsibility for any errors that may appear in this manual and shall not be liable under any circumstances for incidental, consequential or punitive damages in connection with, or arising from the use of this manual.

Keep this manual available for frequent reference. All new operators or owners must review the manual before using the equipment and annually thereafter. Contact your Farm King Dealer if you need assistance, information, or additional copies of the manual.

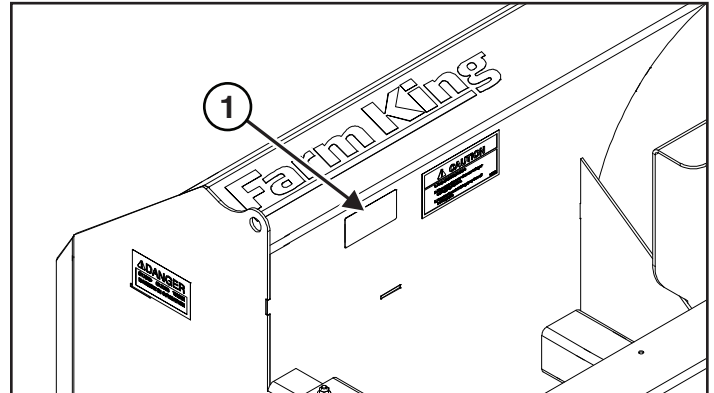
Visit our website at [www.farm-king.com](http://www.farm-king.com) for a complete list of dealers in your area.

The directions left, right, front and rear, as mentioned throughout this manual, are as viewed by the operator sitting in the tractor seat while towing the implement.

## Serial Number Location

Please enter the model and serial number in the space provided for easy reference.

**Figure 1**



**Model Number:** \_\_\_\_\_

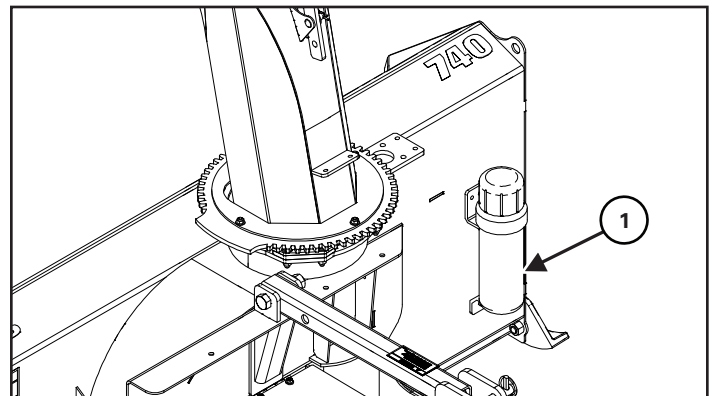
**Serial Number:** \_\_\_\_\_

The serial number plate (Item 1) [Figure 1] is located on the top corner of the main frame.

Always use your serial number when requesting information or when ordering parts.

## Manual Storage

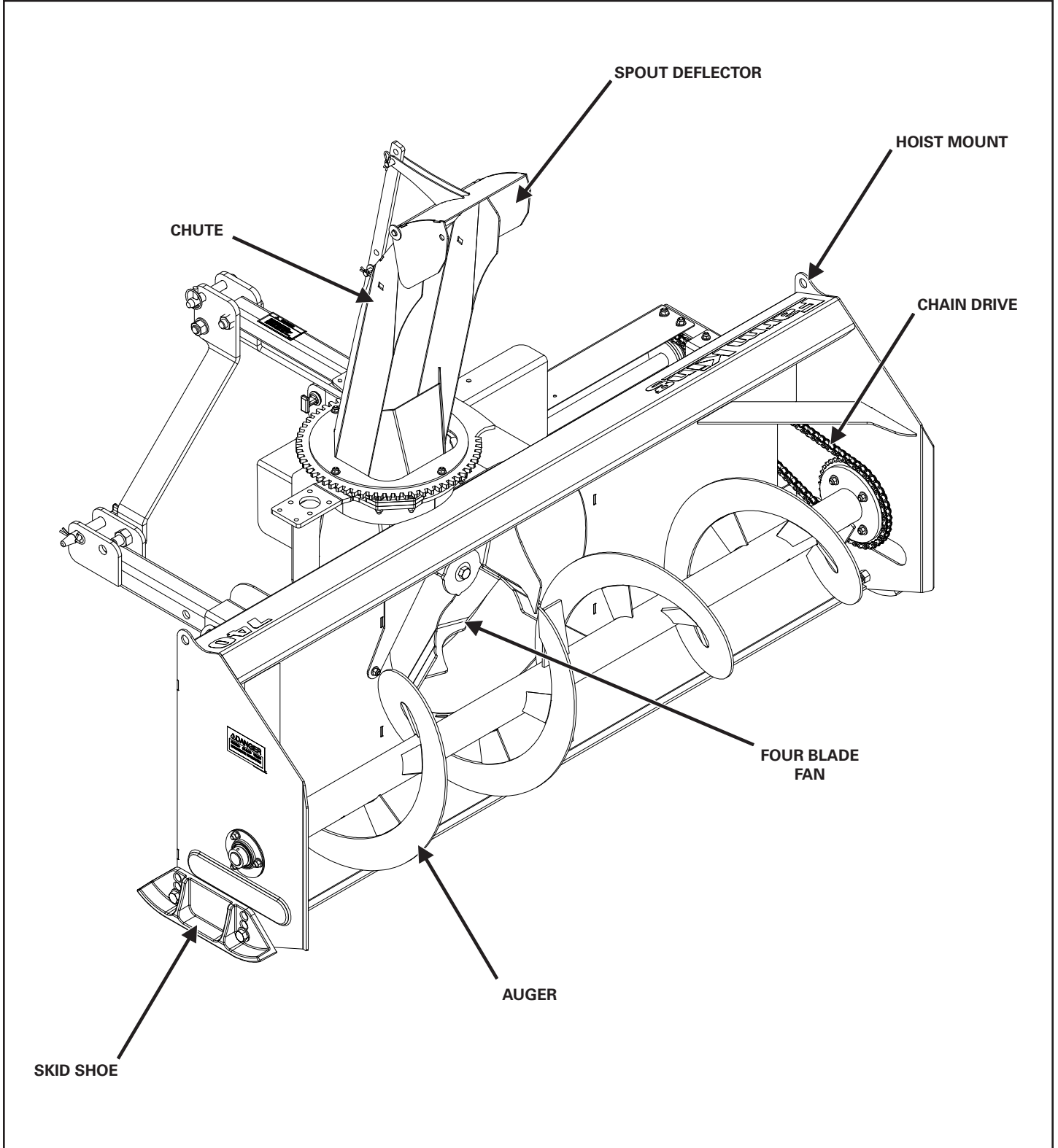
**Figure 2**



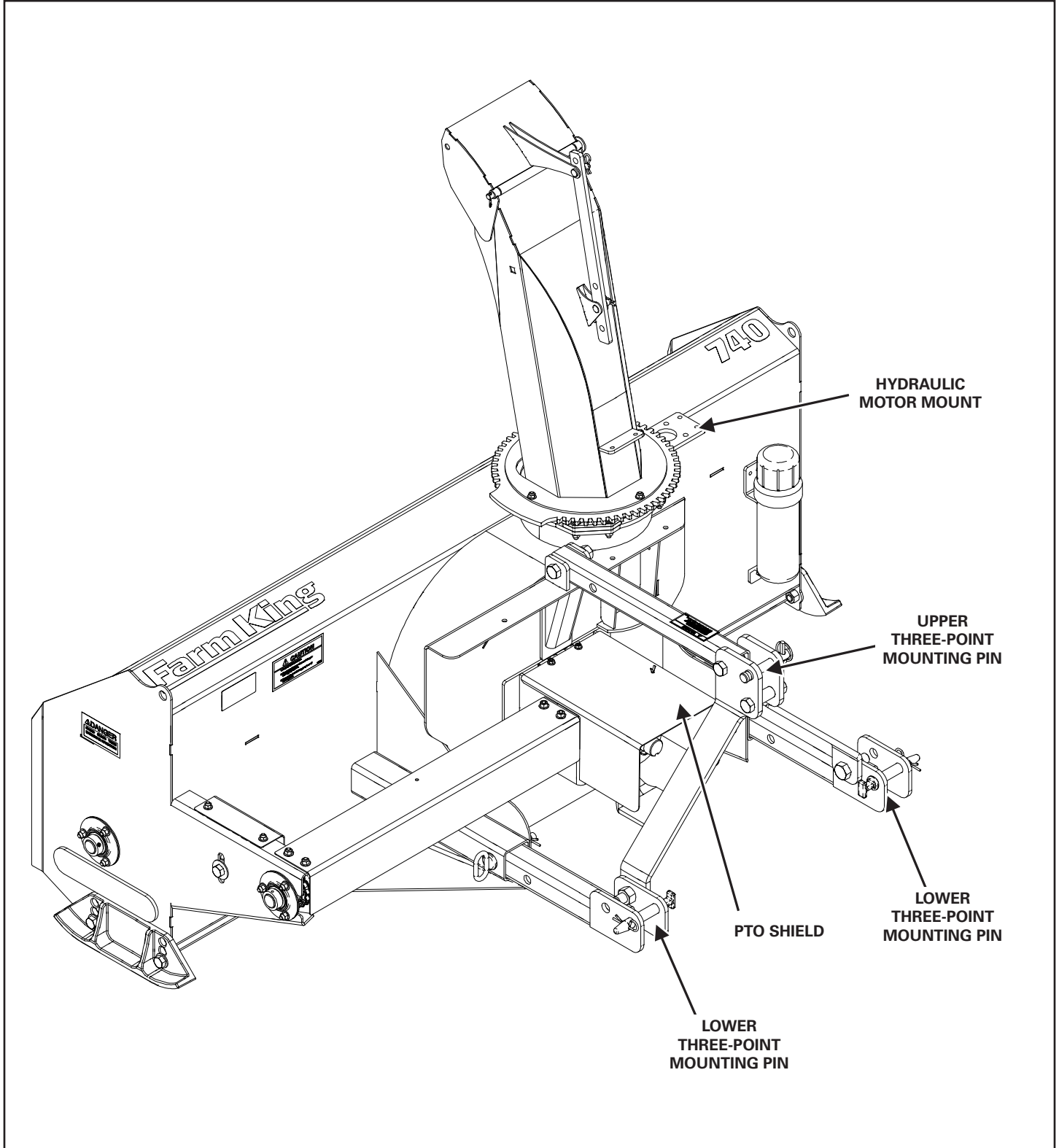
The operator and parts manual and other documents can be stored in the canister (Item 1) [Figure 2].

## Equipment Identification

### Component Location - Front View



**Component Location - Top View**



# Farm King



# Safety

- Safety Instructions.....11
  - Safe Operation is The Operator’s Responsibility.....11
  - Safe Operation Needs A Qualified Operator.....11
  - Use Safety Rules.....12
  - Safety Rules For Power Take-Off (PTO) Driven Equipment.....12
  - Machine Requirements And Capabilities.....13
  - Transport Safety.....13
- Fire Prevention.....14
  - Maintenance.....14
  - Operation.....14
  - Starting.....14
  - Electrical.....14
  - Hydraulic System.....14
  - Fueling.....14
  - Welding And Grinding.....15
  - Fire Extinguishers.....15
- Safety Signs.....16
- Farm King Equipment Signs.....17
- Allied Equipment Signs.....18
- Safety Sign-Off Form.....19


# Farm King








## Safety Instructions

### Safe Operation is The Operator's Responsibility

	<b>Safety Alert Symbol</b>
<p>This symbol with a warning statement means: "Warning, be alert! Your safety is involved!" Carefully read the message that follows.</p>	


	<b>CAUTION</b>
<p>The signal word CAUTION on the machine and in the manuals indicates a potentially hazardous situation which, if not avoided, may result in minor or moderate injury. It may also be used to alert against unsafe practices.</p>	

	<b>DANGER</b>
<p>The signal word DANGER on the machine and in the manuals indicates a hazardous situation which, if not avoided, will result in death or serious injury.</p>	

	<b>WARNING</b>
<p>The signal word WARNING on the machine and in the manuals indicates a potentially hazardous situation which, if not avoided, could result in death or serious injury.</p>	

	<b>IMPORTANT</b>
<p>This notice identifies procedures which must be followed to avoid damage to the machine.</p>	

### Safe Operation Needs A Qualified Operator

	<b>WARNING</b>
<p><b>Operators must have instructions before operating the machine. Untrained operators can cause injury or death.</b></p>	

For an operator to be qualified, he or she must not use drugs or alcohol which impair alertness or coordination while working. An operator who is taking prescription drugs must get medical advice to determine if he or she can safely operate a machine and the equipment.

Understand the written instructions, rules and regulations:

- The written instructions from Farm King include the Warranty Registration, Dealer Inspection Report, Operator And Parts Manual and machine signs (decals).
- Check the rules and regulations at your location. The rules may include an employer's work safety requirements. Regulations may apply to local driving requirements or use of a Slow Moving Vehicle (SMV) emblem. Regulations may identify a hazard such as a utility line.

Have Training with Actual Operation:

- Operator training must consist of a demonstration and verbal instruction. This training is given by the machine owner prior to operation.
- The new operator must start in an area without bystanders and use all the controls until he or she can operate the machine safely under all conditions of the work area. Always fasten seat belt before operating.

Know the Work Conditions:

- Clear working area of all bystanders, especially small children and all obstacles that might be hooked or snagged, causing injury or damage.
- Know the location of any overhead or underground power lines. Call local utilities and have all underground power lines marked prior to operation.
- Wear tight fitting clothing. Always wear safety glasses when doing maintenance or service.

## Use Safety Rules

- Read and follow instructions in this manual and the tractor's Operators Manual before operating.
- Under no circumstances should young children be allowed to work with this equipment.
- This equipment is dangerous to children and persons unfamiliar with its operation.
- Check for overhead and / or underground lines before operating equipment (if applicable).
- In addition to the design and configuration of equipment, hazard control and accident prevention are dependent upon the awareness, concern, prudence and proper training of personnel involved in the operation, transport, maintenance and storage of equipment.
- Check that the equipment is securely fastened to the tractor / towing vehicle.
- Make sure all the machine controls are in the NEUTRAL position before starting the machine.
- Operate the equipment only from the operator's position.
- Operate the equipment according to the Operator And Parts Manual.
- When learning to operate the equipment, do it at a slow rate in an area clear of bystanders, especially small children.
- DO NOT permit personnel to be in the work area when operating the equipment.
- The equipment must be used ONLY on approved tractors / transport vehicles.
- DO NOT modify the equipment in any way. Unauthorized modification may impair the function and / or safety and could affect the life of the equipment.
- Stop tractor engine, place all controls in neutral, set park brake, remove ignition key and wait for all moving parts to stop before servicing, adjusting, repairing, unplugging or filling.
- DO NOT make any adjustments or repairs on the equipment while the machine is running.
- Keep shields and guards in place. Replace if damaged.
- Keep hands, feet, hair and clothing away from all moving parts.

## Safety Rules For Power Take-Off (PTO) Driven Equipment

- Keep PTO shields and all guards in place. Replace damaged or missing shields and guards before operating.
- Follow warnings and instructions on machine signs (decals). Replace damaged or missing decals.
- Do not wear loose or bulky clothing around the PTO or other moving parts.
- Keep bystanders away from PTO driven equipment, and never allow children near machines.
- Read and understand the manuals for the PTO driven equipment and be aware of safe operating procedures and hazards that may not be readily apparent.
- Never operate over 540 rpm.
- Always walk around equipment to avoid coming near a turning PTO driveline. Stepping over, leaning across or crawling under a turning PTO driveline can cause entanglement.
- Position the machine and equipment hitch correctly to prevent driveline stress and separation.
- Use caution when turning. Turning too sharp can cause driveline damage.
- Use caution when raising PTO driven equipment.
- Maximum working PTO angle is 25°.



## Machine Requirements And Capabilities

- Fasten seat belt securely. If equipped with a foldable Roll-Over Protective Structure (ROPS), only fasten seat belt when ROPS is up and locked. DO NOT wear seat belt if ROPS is down.
- Stop the machine and engage the parking brake. Install blocks in front of and behind the rear tires of the machine. Install blocks underneath and support the equipment securely before working under raised equipment.
- Keep bystanders clear of moving parts and the work area. Keep children away.
- Use increased caution on slopes and near banks and ditches to prevent overturn.
- Make certain that the Slow Moving Vehicle (SMV) emblem is installed so that it is visible and legible. When transporting the equipment, use the flashing warning lights (if equipped) and follow all local regulations.
- Operate this equipment with a machine equipped with an approved Roll-Over Protective Structure (ROPS). Always wear seat belt when the ROPS is up. Serious injury or death could result from falling off the machine.
- Before leaving the operator's position:
  1. Always park on a flat level surface.
  2. Place all controls in neutral.
  3. Engage the parking brake.
  4. Stop engine.
  5. Wait for all moving parts to stop.
- Carry passengers only in designated seating areas. Never allow riders on the machine or equipment. Falling off can result in serious injury or death.
- Start the equipment only when properly seated in the operator's seat. Starting a machine in gear can result in serious injury or death.
- Operate the machine and equipment from the operator's position only.
- The parking brake must be engaged before leaving the operator's seat. Roll-away can occur because the transmission may not prevent machine movement.

## Transport Safety

- Do not exceed 20 mph (32 kph). Reduce speed on rough roads and surfaces.
- Comply with state and local laws governing highway safety and movement of machinery on public roads.
- The use of flashing amber lights is acceptable in most localities. However, some localities prohibit their use.
- Local laws should be checked for all highway lighting and marking requirements.
- Always yield to oncoming traffic in all situations and move to the side of the road so any following traffic may pass.
- Always enter curves or drive up or down hills at a low speed and at a gradual steering angle.
- Never allow riders on either tractor or equipment.
- Keep tractor / towing vehicle in a lower gear at all times when traveling down steep grades.
- Maintain proper brake settings at all times (if equipped).

## Fire Prevention



### Maintenance

- The machine and some equipment have components that are at high temperatures under normal operating conditions. The primary source of high temperatures is the engine and exhaust system. The electrical system, if damaged or incorrectly maintained, can be a source of arcs or sparks.
- Flammable debris (leaves, straw, etc.) must be removed regularly. If flammable debris is allowed to accumulate, it can cause a fire hazard. Clean often to avoid this accumulation. Flammable debris in the engine compartment is a potential fire hazard. The operator's area, engine compartment and engine cooling system must be inspected every day and cleaned if necessary to prevent fire hazards and overheating.
- All fuels, most lubricants and some coolant mixtures are flammable. Flammable fluids that are leaking or spilled onto hot surfaces or onto electrical components can cause a fire.

### Operation

- The Farm King machine must be in good operating condition before use.
- Check all of the items listed on the service schedule under the 8 hour column before operation. (See Maintenance section)
- Do not use the machine where exhaust, arcs, sparks or hot components can contact flammable material, explosive dust or gases.

### Starting

- Do not use ether or starting fluids on any engine that has glow plugs. These starting aids can cause explosion and injure you or bystanders.
- Use the procedure in the tractor's operator's manual for connecting the battery and for jump starting.

### Electrical



- Check all electrical wiring and connections for damage. Keep the battery terminals clean and tight. Repair or replace any damaged part or wires that are loose or frayed.
- Battery gas can explode and cause serious injury. Do not jump start or charge a frozen or damaged battery. Keep any open flames or sparks away from batteries. Do not smoke in battery charging area.

### Hydraulic System

- Check hydraulic tubes, hoses and fittings for damage and leakage. Never use open flame or bare skin to check for leaks. Hydraulic tubes and hoses must be properly routed and have adequate support and secure clamps. Tighten or replace any parts that show leakage.
- Always clean fluid spills. Do not use gasoline or diesel fuel for cleaning parts. Use commercial nonflammable solvents.

### Fueling



- Stop the engine and let it cool before adding fuel. No smoking! Do not refuel a machine near open flames or sparks. Fill the fuel tank outdoors.

## Welding And Grinding

- Always clean the machine and equipment, disconnect the battery, and disconnect the wiring from the machine controls before welding. Cover rubber hoses, battery and all other flammable parts. Keep a fire extinguisher near the machine when welding.
- Have good ventilation when grinding or welding painted parts. Wear dust mask when grinding painted parts. Toxic dust or gas can be produced.
- Dust generated from repairing nonmetallic parts such as hoods, fenders or covers can be flammable or explosive. Repair such components in a well ventilated area away from open flames or sparks.

## Fire Extinguishers

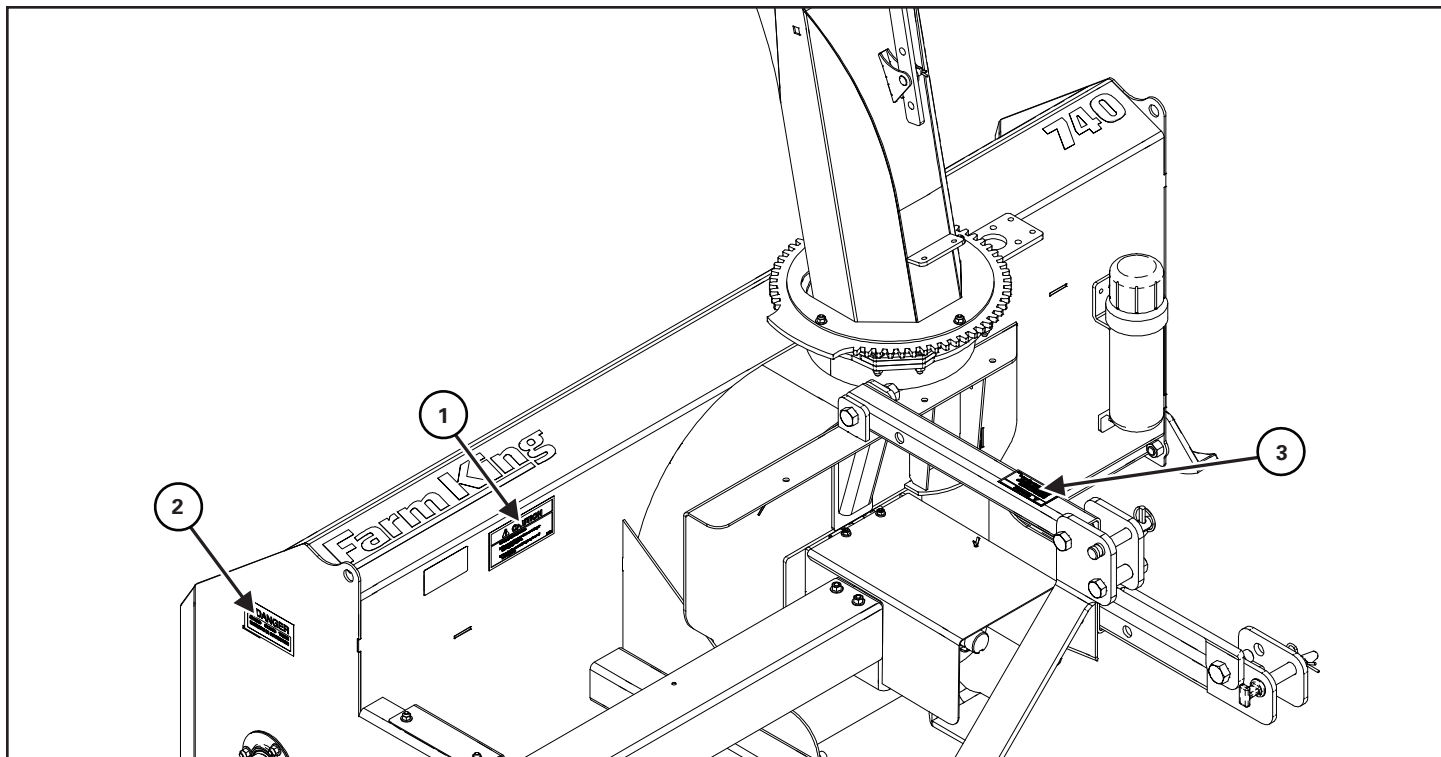


- Know where fire extinguishers and first aid kits are located and how to use them. Inspect the fire extinguisher and service the fire extinguisher regularly. Obey the recommendations on the instructions plate.

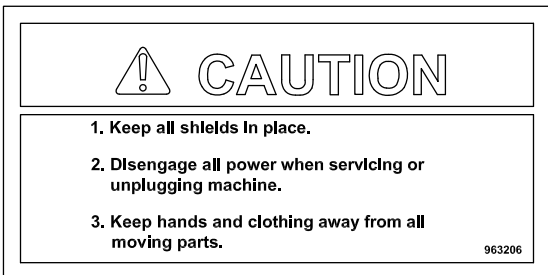
## Safety Signs

Follow the instructions on all the signs (decals) that are on the equipment. Replace any damaged signs (decals) and be sure they are in the correct locations. Equipment signs are available from your Farm King equipment dealer.

**Figure 3**



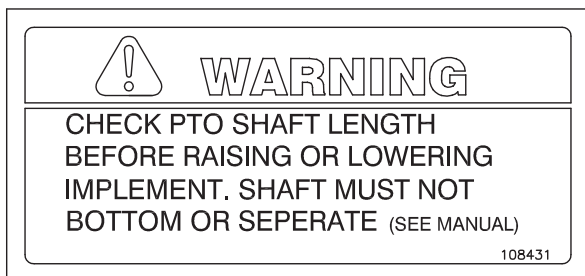
963206 (Item 1) [Figure 3]



102893 (Item 2) [Figure 3]



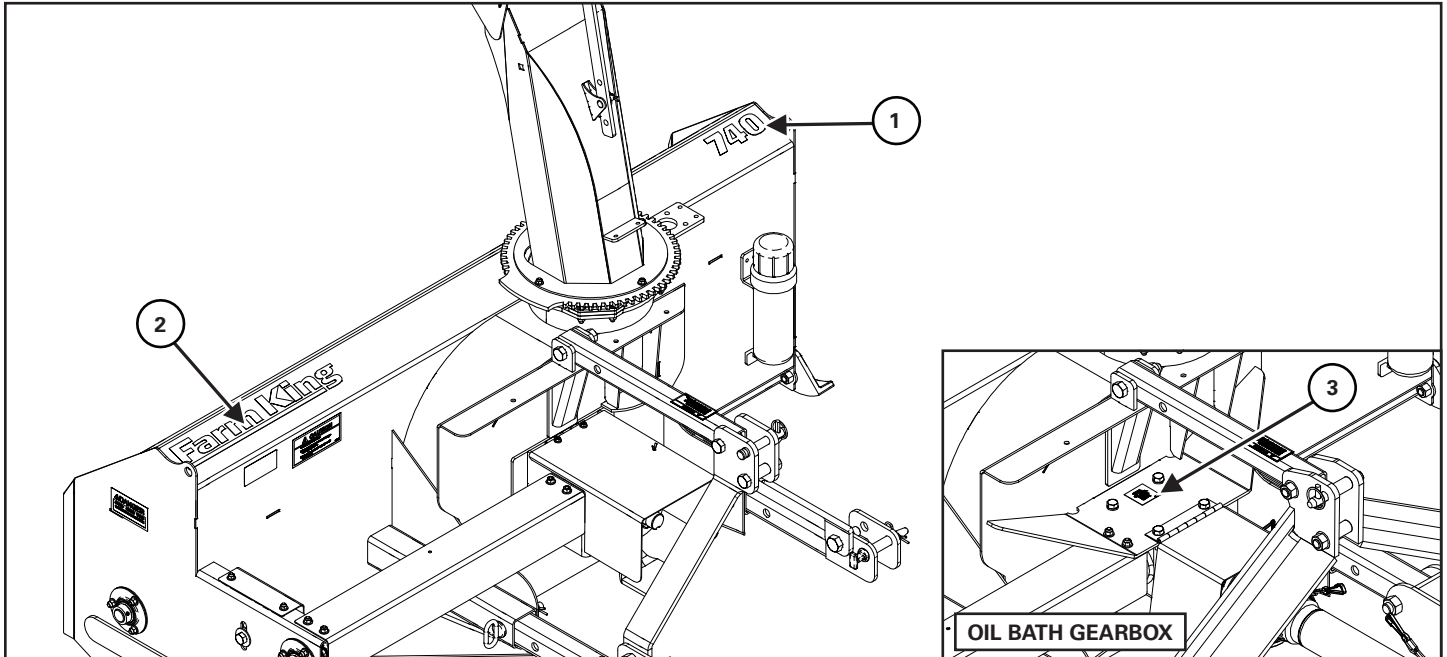
108431 (Item 3) [Figure 3]



### Farm King Equipment Signs

Check and replace any worn, torn, missing, or hard to read decals on your equipment.

Figure 4



910621 (Item 1) [Figure 4]

740

817585 (Propeller Model Not Shown)



910622 (Item 1) [Figure 4]

840

967388 (Item 3) [Figure 4]



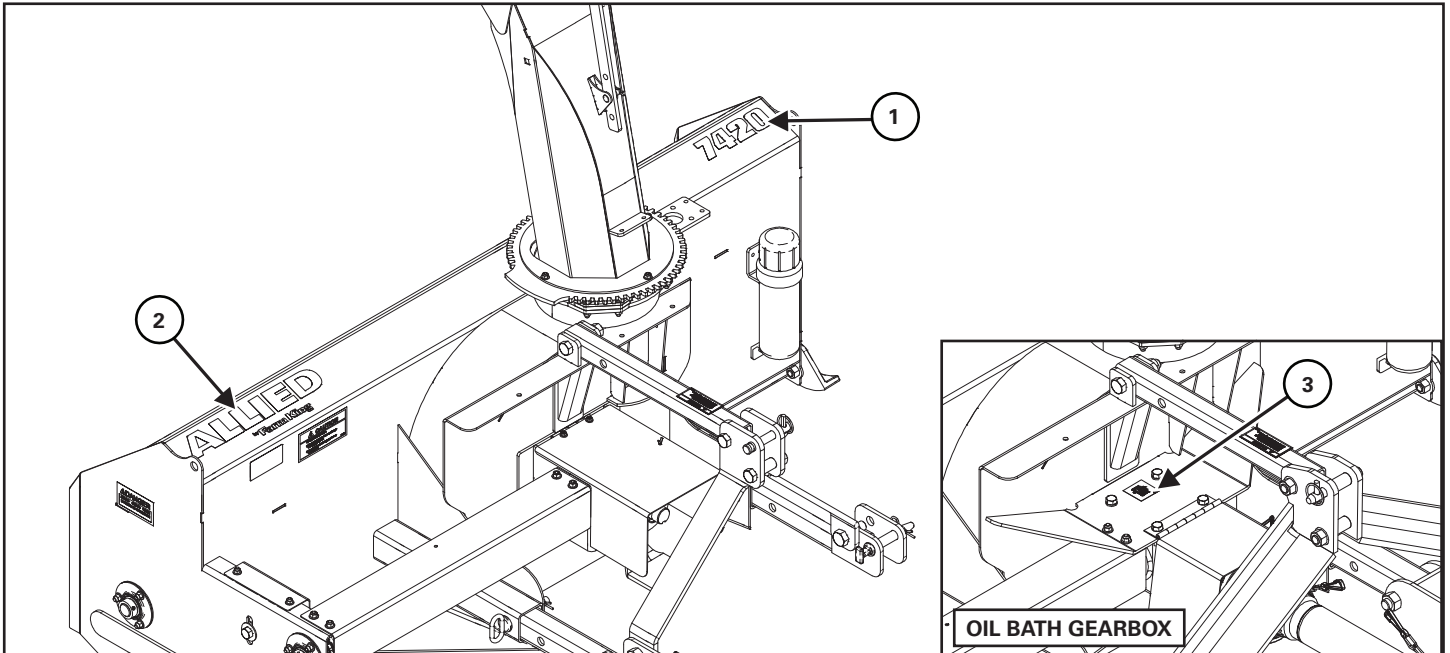
910626 (Item 2) [Figure 4]

Farm King

## Allied Equipment Signs

Check and replace any worn, torn, missing, or hard to read decals on your equipment.

**Figure 5**



910823 (Item 1) [Figure 5]

**7420**

817585 (Propeller Model Not Shown)



815397 (Item 1) [Figure 5]

**8420**


967388 (Item 3) [Figure 5]



910626 (Item 2) [Figure 5]

**ALLIED**  
by **Farm King**

## Safety Sign-Off Form

	WARNING
<p><b>Instructions are necessary before operating or servicing equipment. Read and understand the Operator And Parts Manual and safety signs (decals) on equipment. Follow warnings and instructions in the manuals when making repairs, adjustments or servicing. Check for correct function after adjustments, repairs or service. Untrained operators and failure to follow instructions can cause injury or death.</b></p>	

Farm King follows the general Safety Standards specified by the American Society of Agricultural and Biological Engineers (ASABE) and the Occupational Safety and Health Administration (OSHA). Anyone who will be operating and / or maintaining the snowblower must read and clearly understand ALL Safety, Operating and Maintenance information presented in this manual.

Annually review this information before the season start-up and make these periodic reviews of SAFETY and OPERATION a standard practice for all of your equipment. An untrained operator is unqualified to operate this machine.

The following sign-off sheet is provided for your record and to show that all personnel who will be working with the equipment have read and understand the information in this Operator And Parts Manual and have been instructed in the operation of the equipment.

SIGN-OFF SHEET		
Date	Employee's Signature	Employer's Signature



# Farm King





# Assembly

Preparing For Assembly.....23

PTO Shield.....24

Hitch Assembly.....24

Discharge Spout & Deflector.....26


    Hydraulic Spout Deflector (Option).....27

Hydraulic Spout Rotator.....28

# Farm King



**Preparing For Assembly**

	<b>IMPORTANT</b>
<p>Snowblowers are shipped without some components installed due to transport restrictions.</p> <ul style="list-style-type: none"> <li>• Using the packing list, locate and count the individual components and verify that you have received the correct number of each component.</li> <li>• Check all the components for damage. If any components are damaged or missing, contact your Farm King dealer.</li> </ul>	


	<b>WARNING</b>
	
<p><b>AVOID INJURY OR DEATH</b></p> <p>Before moving the tractor, look in all directions and make sure no bystanders, especially small children are in the work area. Do not allow anyone between the tractor and the equipment when backing up to the equipment for connecting.</p>	

Move the tractor, snowblower and components to an area large enough for assembly.

	<b>WARNING</b>
<p><b>AVOID INJURY OR DEATH</b></p> <p>Before you leave the operator's position:</p> <ul style="list-style-type: none"> <li>• Always park on a flat level surface.</li> <li>• Place all controls in NEUTRAL.</li> <li>• Engage the park brake.</li> <li>• Stop the engine and remove the key.</li> <li>• Wait for all moving parts to stop.</li> </ul>	

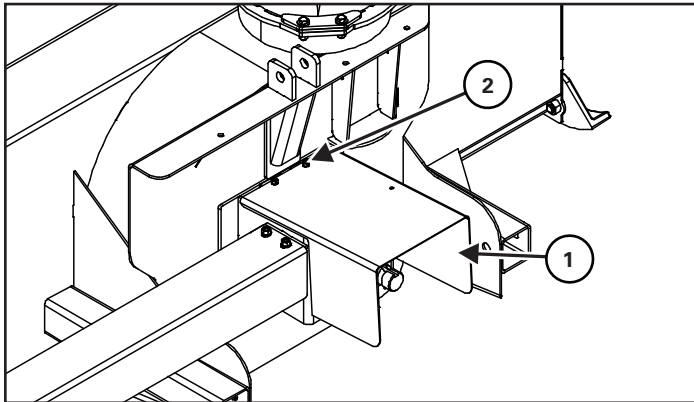
Park the tractor / equipment on a flat level surface.

Place all controls in neutral, engage the park brake, stop the engine and wait for all moving parts to stop. Leave the operator's position.

	<b>WARNING</b>
<p><b>AVOID INJURY OR DEATH</b></p> <p>Wear safety glasses to prevent eye injury when any of the following conditions exist:</p> <ul style="list-style-type: none"> <li>• When fluids are under pressure.</li> <li>• Flying debris or loose material is present.</li> <li>• Engine is running.</li> <li>• Tools are being used.</li> </ul>	

## PTO Shield

Figure 6

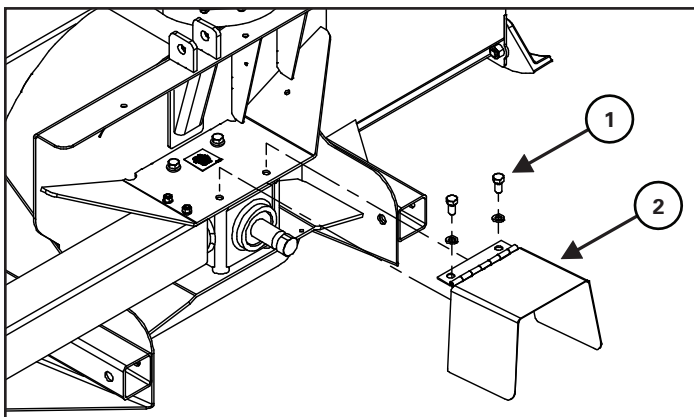


### 74" & 84" Models

Bolt the PTO shield (Item 1) to the top of the gearbox assembly using 1/4" lock nuts, flat washers, and hex bolts (Item 2) [Figure 6].

Insert a 1/4" cotter pin through the hole in the shield and through the hole at the bottom corner of the gearbox. Hook the spring to the cotter pins to hold the shield down.

Figure 7



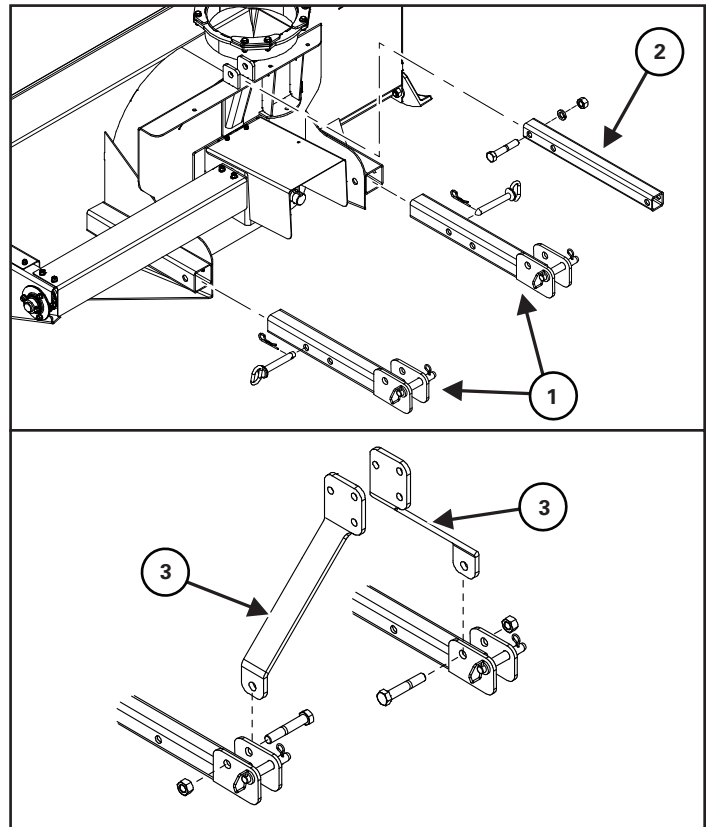
### 84" Gearbox Models

Remove the two 1/2" hex bolts and washers (Item 1) from the gearbox plate. Install the PTO shield (Item 2) using the same bolts and washers [Figure 7].

Insert a 1/4" cotter pin through the hole in the shield and through the hole at the bottom corner of the gearbox. Hook the spring to the cotter pins to hold the shield down.

## Hitch Assembly

Figure 8



### 74" Models

Align the right and left hitch tubes (Item 1) with the welded sleeves on the main body [Figure 8].

Slide the tubes into the sleeves as shown, with the end brackets facing up. Each tube has two mounting holes, to be used depending on the tractor.

Attach each tube using one 3/4" x 4-1/4" pin and hair pin clip.

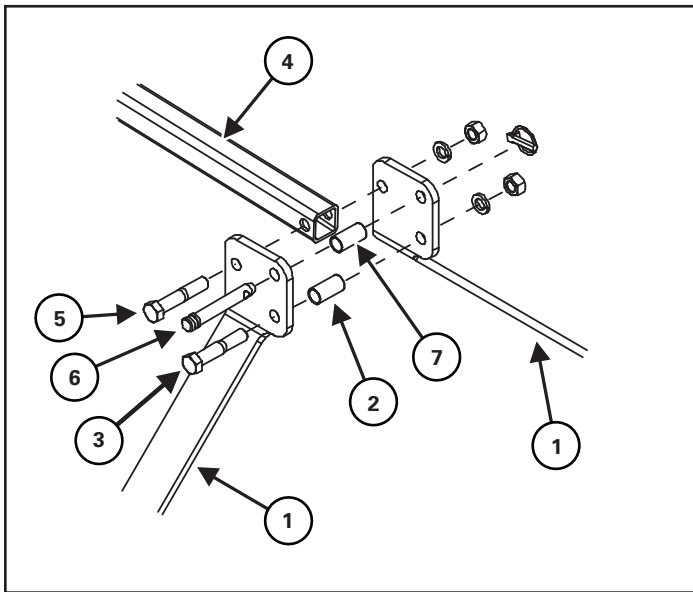
Bolt the top hitch tube (Item 2) to the top of the main frame [Figure 8].

Attach the top pin using the same mounting hole as the left and right pins. Use one 3/4" x 4" hex bolt, flat washer, and lock nut.

Align the left and right hitch arms (Item 3) with the inside brackets on the hitch tubes [Figure 8].

Attach each hitch arm with a 7/8" x 5" hex bolt and lock nut.

Figure 9



**74" Models**

Attach the top brackets of the left and right hitch arms (Item 1) by bolting a link pin bushing (Item 2) between the top brackets with a 3/4" x 4" bolt (Item 3), flat washer, and lock nut. Use the bottom front holes on the brackets [Figure 9].

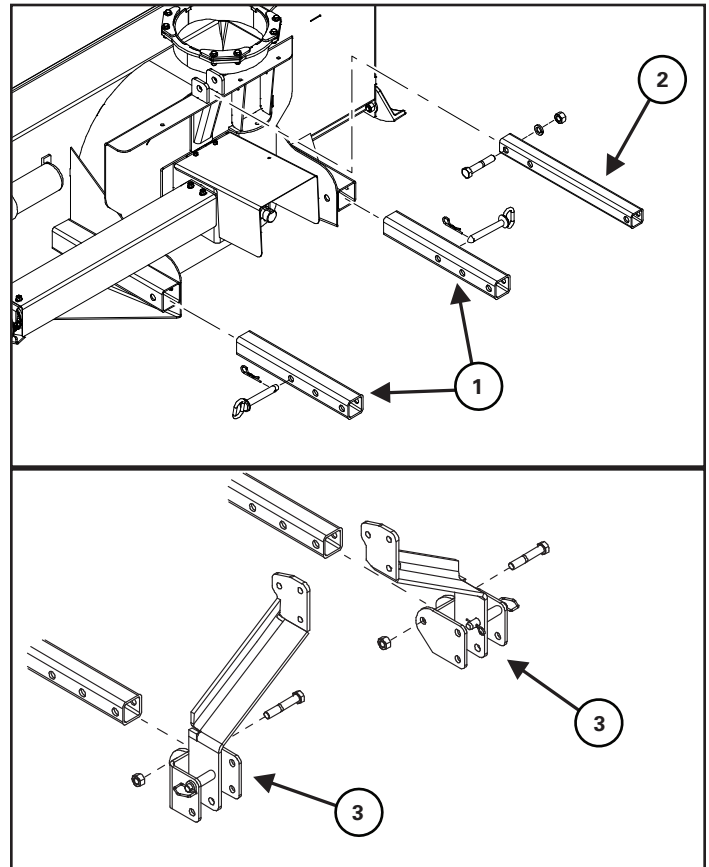
Attach the hitch top bar (Item 4) between the top brackets with a 3/4" x 4" bolt (Item 5), flat washer, and lock nut. Use the rear holes on the brackets [Figure 9].

**Tighten all hardware.**

Attach a Category 1 top link pin (Item 6) and bushing (Item 7) to the top front holes of the top brackets [Figure 9].

The Category 1 pin is used for a standard three-point hitch only. The bushing in the lower hole is used for the Quick Hitch.

Figure 10



**84" Models**

Align the right and left hitch tubes (Item 1) with the welded sleeves on the main body [Figure 10].

Slide the tubes into the sleeves as shown. Each tube has two mounting holes, to be used depending on the tractor.

Attach each tube using one 3/4" x 4-1/4" pin and hair pin clip.

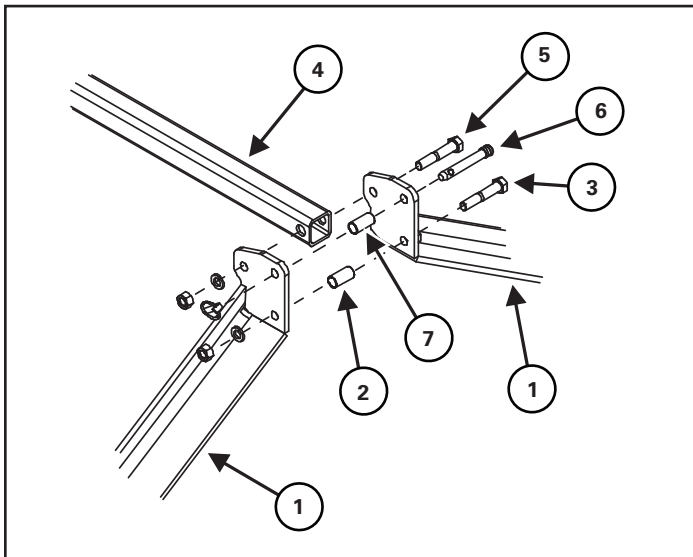
Bolt the top hitch tube (Item 2) to the top of the main frame [Figure 10].

Attach the top pin using the same mounting hole as the left and right pins. Use one 3/4" x 4" hex bolt, flat washer, and lock nut.

Align the left and right hitch arms (Item 3) with the hitch tubes [Figure 10].

Attach each hitch arm with a 7/8" x 5" hex bolt and lock nut.

**Figure 11**



**84" Models**

Attach the top brackets of the left and right hitch arms (Item 1) by bolting a link pin bushing (Item 2) between the top brackets with a 3/4" x 4" bolt (Item 3), flat washer, and lock nut. Use the bottom front holes on the brackets [Figure 11].

Attach the hitch top bar (Item 4) between the top brackets with a 3/4" x 4" bolt (Item 5), flat washer, and lock nut. Use the rear holes on the brackets [Figure 11].

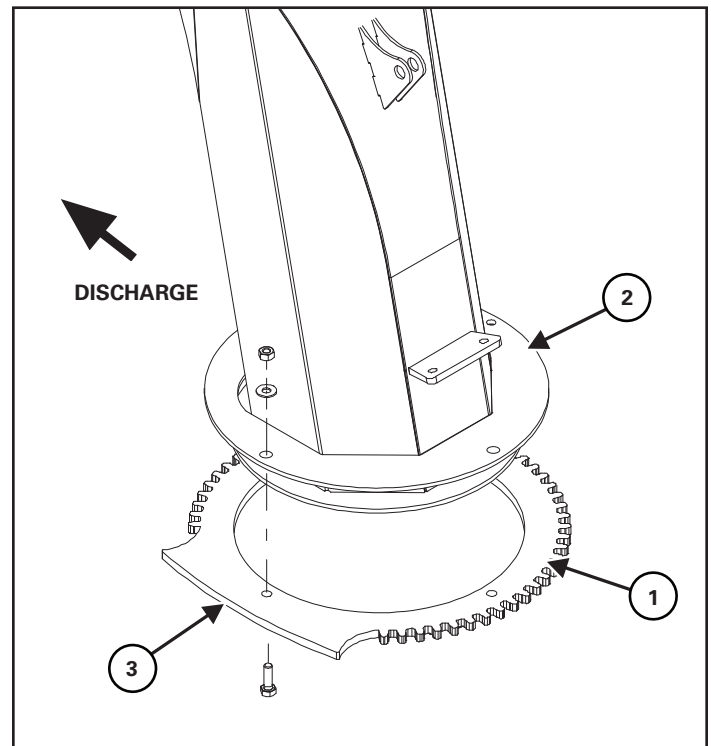
**Tighten all hardware.**

Attach a Category 1 top link pin (Item 6) and bushing (Item 7) to the top front holes of the top brackets [Figure 11].

The Category 1 pin is used for a standard three-point hitch only. The bushing in the lower hole is used for the Quick Hitch.

**Discharge Spout & Deflector**

**Figure 12**

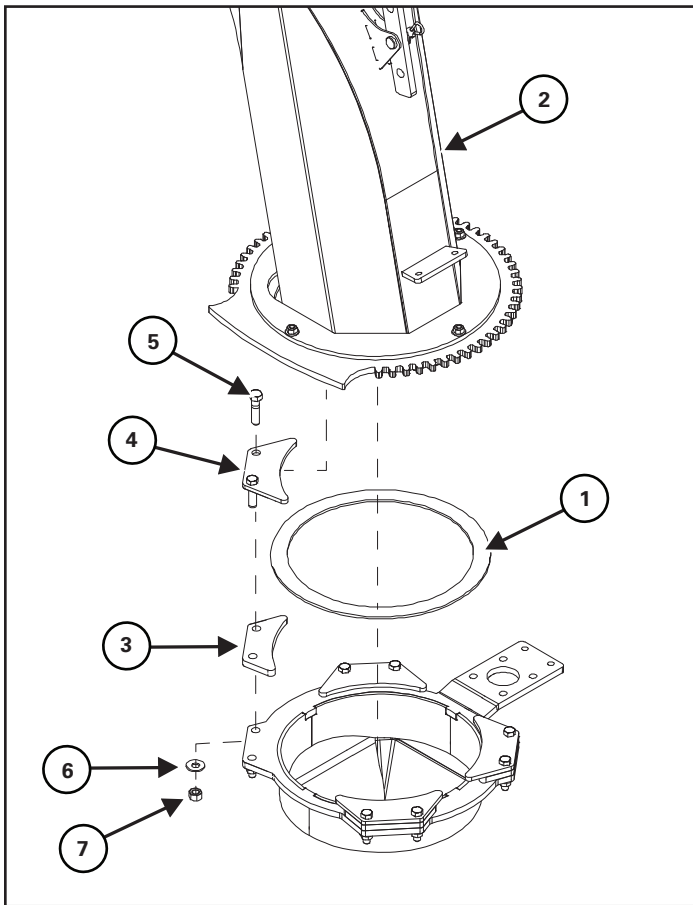


Align the geared spout ring (Item 1) to the bottom of the discharge spout (Item 2) [Figure 12].

The smooth portion (Item 3) of the spout ring must face the side opposite the hydraulic motor mount [Figure 12].

Attach the geared spout ring to the bottom of the discharge spout using four 5/16" x 1" hex bolts, four 5/16" flat washers, and four 5/16" lock nuts.

Figure 13



Position the plastic ring (Item 1) on top of the main frame mount.

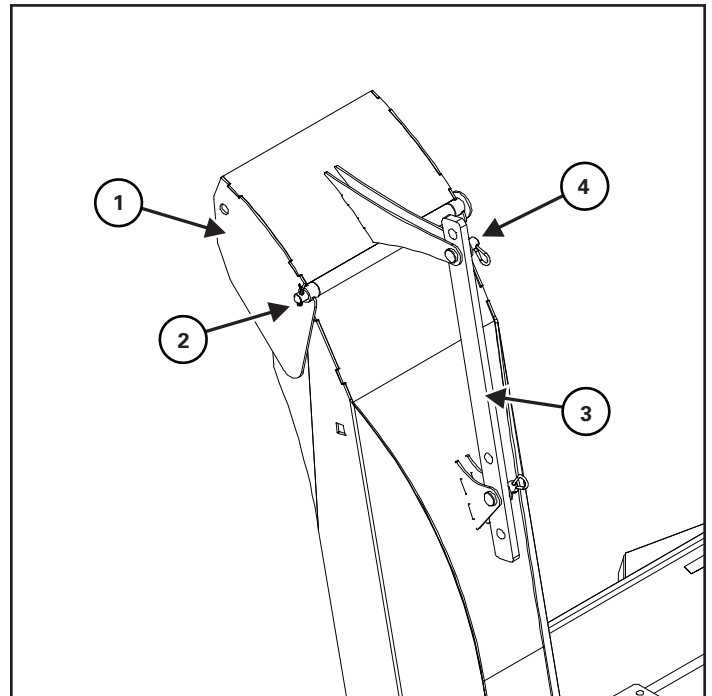
Align the discharge spout (Item 2) on top of the plastic ring and main frame mount [Figure 13].

Place the four spacers (Item 3) and spout clamps (Item 4) around the spout ring on the mounts [Figure 13].

Lubricate the spout ring and spout clamps using multipurpose lithium based grease.

Attach the spacers and clamps to the mounts using eight 3/8" x 1-3/4" bolts (Item 5), eight 5/16" flat washers (Item 6), and eight 3/8" lock nuts (Item 7) [Figure 13].

Figure 14



Install the spout deflector (Item 1) on the discharge spout. Attach using one hinge pin (Item 2) and retaining pins [Figure 14].

Align the spout deflector adjustment rod (Item 3) on the mounts. Attach using two 1/2" x 1-1/2" clevis pins (Item 4) and retaining pins [Figure 14].

### Hydraulic Spout Deflector (Option)

Replace the spout deflector adjustment rod (Item 3) on the discharge spout with a 5" hydraulic cylinder. Attach using clevis pins and hair pin clips [Figure 14].

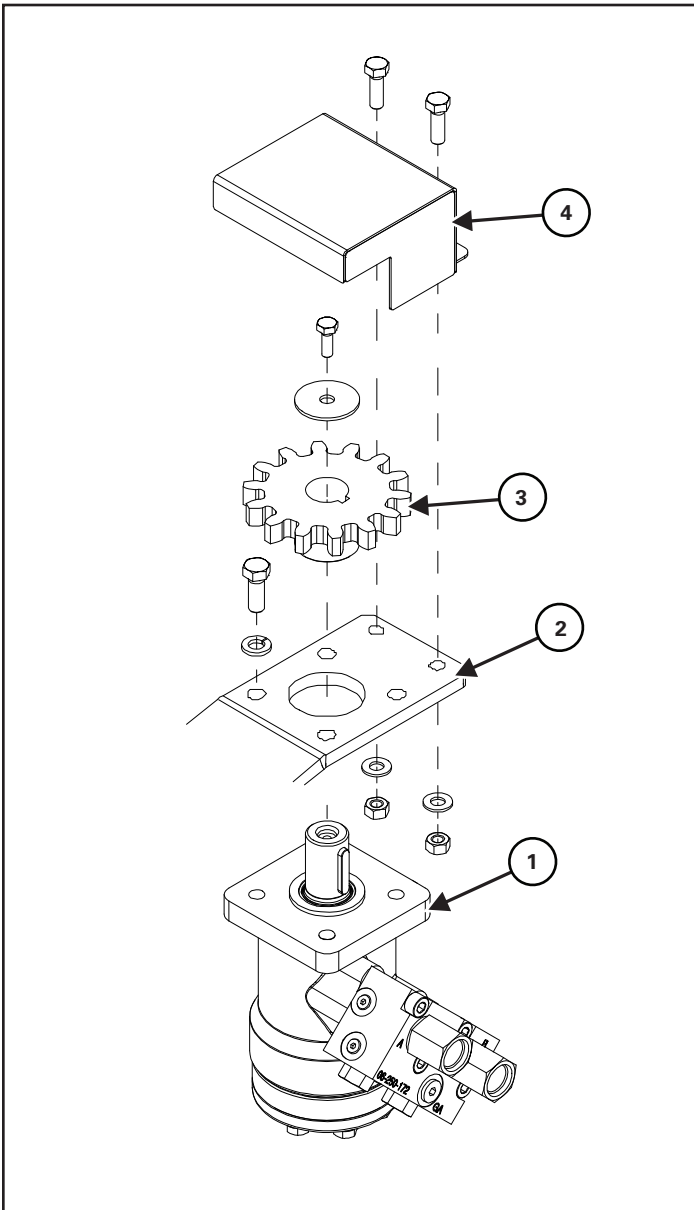
Attach the hose holder to the spout mount using 5/16" x 1" hex bolts, 5/16" flat washers, and 5/16" lock nuts.

Connect the two return / supply hydraulic hoses to the cylinder. Route the hoses through the hydraulic hose holder and to the hitch.



## Hydraulic Spout Rotator

Figure 15



Align the motor (Item 1) with the main frame mount (Item 2) and attach with four 3/8" bolts and four 3/8" lock washers. Ensure that the manifold is facing the snowblower hitch when mounting to the main frame [Figure 15].

Slide the gear (Item 3) onto the motor drive line with the gear hub facing downwards. Align the gear with the toothed spout ring. Attach the gear using one 1/4" x 3/4" bolt and 1-1/2" OD x 5/16" ID washer [Figure 15].

The spout opening should face forward. The non-toothed smooth portion of the gear spout ring should face the side opposite of the motor mount.

Attach the gear guard cover (Item 4) above the motor using two 5/16" x 1" bolts, two 5/16" washers, and two 5/16" lock nuts [Figure 15].

Attach the hydraulic hoses to manifold. Route the hoses through the hose holder and to the snowblower hitch.



# Operation

Pre - Operation Checklist.....	31
Entering The Operator's Position.....	31
Leaving The Operator's Position.....	31
Tractor Requirements.....	31
Connecting The Snowblower To Tractor.....	32
Connecting The PTO Driveline.....	33
PTO Driveline Length Check.....	34
PTO Driveline Bottoming Out Check.....	34
Reducing The PTO Driveline Length.....	35
PTO Driveline Engagement Check.....	36
Connecting Hydraulic Hoses.....	37
Disconnecting Hydraulic Hoses.....	37
Adjusting Skid Shoe Height.....	38
Theory Of Operation.....	39
Transporting.....	40

# Farm King





## Pre - Operation Checklist

Before operating the snowblower for the first time and each time thereafter, check the following items:

1. Lubricate the equipment per the schedule outline in the Maintenance Section.
2. Check the snowblower hitch for damaged, loose or missing parts. Repair as needed before operation.

**Note:** Do not operate with leaks.

3. Make sure that all guards and shields are in place, secured and functioning as designed.
4. Check condition of all hydraulic components for leaks. Repair as required.

	<b>WARNING</b>
	
<p><b>HIGH PRESSURE FLUID HAZARD</b></p> <p>Leaking fluids under pressure can enter the skin and cause serious injury or death. Immediate medical attention is required. Wear goggles. Use cardboard to check for leaks.</p>	

**Note:** Do not operate with hydraulic leaks.

6. Check that all electrical connections are tight.
7. Check the augers. Remove any twine, wire or other material that has become entangled.

## Entering The Operator's Position

Enter the operator's position, start the engine, and release the parking brake.

	<b>IMPORTANT</b>
<p>Follow the instructions in your tractor's operation manual for the correct procedure.</p>	

## Leaving The Operator's Position

Always perform the following steps when leaving the operator's position:

	<b>WARNING</b>
<p><b>AVOID INJURY OR DEATH</b></p> <p>Before you leave the operator's position:</p> <ul style="list-style-type: none"> <li>• Always park on a flat level surface.</li> <li>• Place all controls in NEUTRAL.</li> <li>• Engage the park brake.</li> <li>• Stop the engine and remove the key.</li> <li>• Wait for all moving parts to stop.</li> </ul>	

## Tractor Requirements

The tractor must satisfy the following requirements, depending on model.

74" Models:

- 40 - 70 HP w/ Cat. I hitch

84" Models:

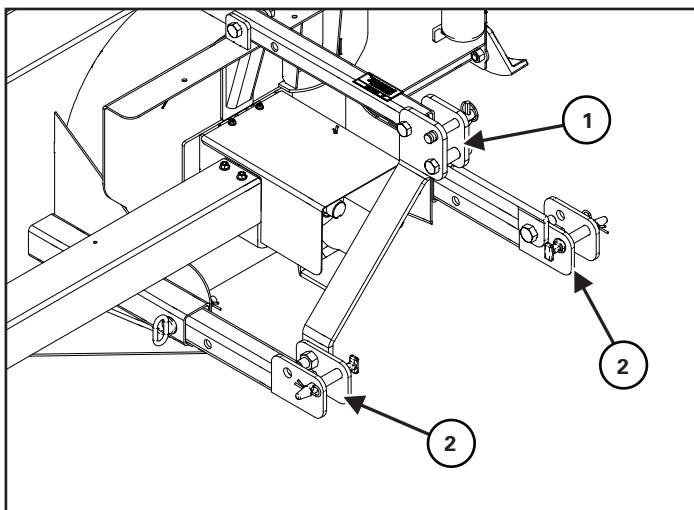
- 60 - 90 HP w/ Cat. I & II hitch

## Connecting The Snowblower To Tractor

Always inspect the tractor's three-point hitch and snowblower three-point mounts before connecting. See the tractor's owner's manual.

Move the tractor drawbar into the storage position or remove (if necessary) to prevent interference with snowblower operation. (See the tractor's operator's manual for the correct procedure.)

**Figure 16**



Remove the top implement mounting pin (Item 1) [Figure 16] and lynch pin.

Remove the lynch pins from the left and right lower mounts (Item 2) [Figure 16].

Enter the operator's position (See "Entering The Operator's Position" in Operation section).

Move the tractor into position in front of the snowblower.

Move the tractor backwards, aligning the tractor's three-point hitch and snowblower three-point mounts.

Leave the operator's position (See "Leaving The Operator's Position" in Operation section).



# WARNING



### AVOID INJURY OR DEATH

**Before moving the tractor, look in all directions and make sure no bystanders, especially small children are in the work area.**

**Do not allow anyone between the tractor and the equipment when backing up to the equipment for connecting.**

Install the left and right lower three-point mounts of the tractor to the snowblower left and right lower mounting pins.

Reinstall the lynch pins.

**Note:** Always use implement mounting pins of adequate size and strength and a retaining pin with a locking device.

Lower the top link of the three-point hitch until it aligns with the implement upper mount.

Reinstall the mounting pin and lynch pin.

**Note:** It may be necessary to lengthen or shorten the top link to align it with the implement mounting hole. (See the tractor's operator's manual for the correct procedure.)


The implement can be leveled front to back by adjusting the top link. (See the tractor's operator's manual for the correct procedure.)

Adjust the lower link sway chains or blocks on the tractor to restrict side movement of the snowblower when operating.


## Connecting The PTO Driveline

Stop the engine and leave the operator's position (See "Leaving The Operator's Position" in Operator's section).

**Note:** The PTO shafts are shipped with the slip clutch disengaged. Engage the slip clutch.

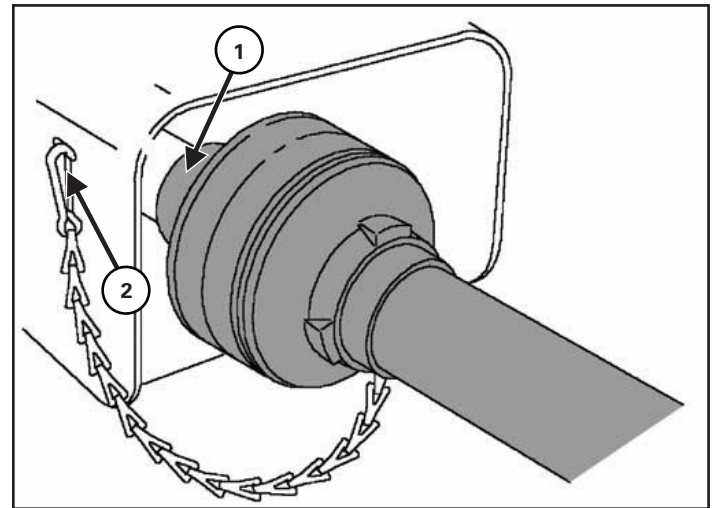
	<b>WARNING</b>
<b>AVOID INJURY OR DEATH</b>	
Warnings on the machine and in the manuals are for your safety. Failure to obey warnings can cause serious injury or death.	

**Note:** Clean and grease tractor's PTO shaft and PTO driveline coupling each time driveline is connected.

	<b>IMPORTANT</b>
<b>Improper hitch installation can cause PTO driveline damage.</b>	
<ul style="list-style-type: none"> <li>• Do not modify the three point hitch.</li> <li>• Make sure the PTO driveline is of adequate length and that u-joints are in the correct phase.</li> </ul>	

Remove the PTO driveline from the storage position (if applicable).

**Figure 17**



Retract the collar (Item 1) [Figure 17] and slide the PTO driveline onto the tractor PTO shaft. Release the collar and the driveline will lock onto the shaft. Push and pull the PTO driveline back and forth several times and make sure it is securely attached to the PTO shaft.

Install PTO driveline safety chain (Item 2) [Figure 17].

**Note:** The PTO driveline must have a means to retain it to the PTO shaft on the tractor.

	<b>WARNING</b>
	
<ul style="list-style-type: none"> <li>• Do NOT exceed 540 RPM PTO.</li> <li>• Keep PTO shields and all guards in place.</li> <li>• Keep away from moving parts.</li> <li>• Keep bystanders away.</li> </ul>	

## PTO Driveline Length Check

Due to variations in distances between tractor PTO shafts and implement input shafts, drivelines may need to be shortened or a longer shaft may be required.

When fitting the implement to the tractor, the PTO driveline, with telescoping sections, must be inspected. When the sections are at the most compressed operating position, the sections must not "bottom out".

At its shortest length, there must be at least 2 in. (50.8 mm) of clearance between each section end and opposite section end at the most compressed operating position.

When the sections are at the most extended position, there must be sufficient engagement between the sections.

At its farthest operating extension, a minimum section engagement of 33% of shaft length must be maintained.



## WARNING

### AVOID INJURY OR DEATH

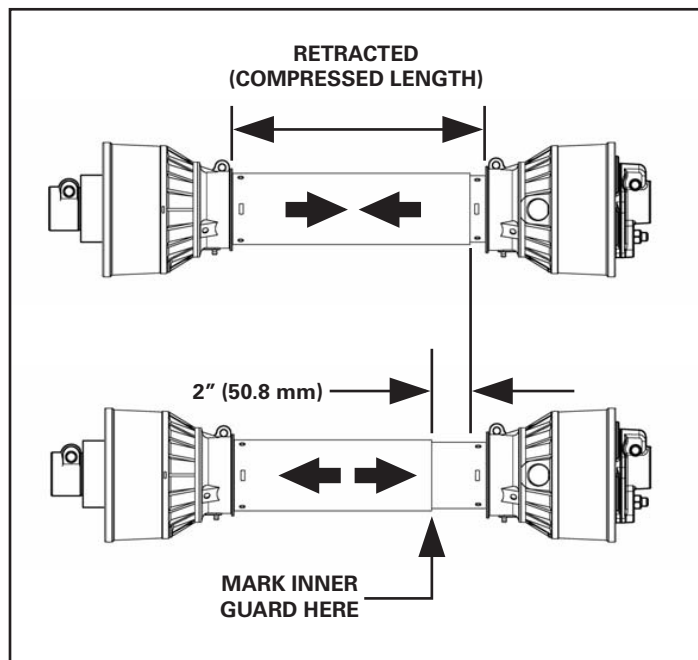
- Do NOT exceed the rated implement PTO speed.
- Stay clear of rotating driveline.
- Keep bystanders away.
- Keep hands, feet, clothing and long hair away.
- Keep PTO shields and all guards in place.
- Disengage PTO, move the tractor controls to the Neutral position, stop the engine and make sure all rotating components are stopped before leaving the operator's position.
- Do NOT service the tractor or implement with the PTO engaged.
- Do NOT service the implement in a raised position unless properly blocked and with all rotating components stopped.
- Disengage PTO for road travel.

## PTO Driveline Bottoming Out Check

Stop the engine and leave the operator's position (See "Leaving The Operator's Position" in Operation section).

Make sure the PTO driveline and all rotating components have come to a complete stop before leaving the operator's position (if applicable).

Figure 18




1. Disconnect the PTO driveline from the tractor and slide the PTO driveline together until fully retracted (compressed).
2. Measure the retracted (compressed) length of PTO driveline [Figure 18].
3. Extend the PTO driveline 2 in. (50.8 mm) from the retracted length and place a mark on the inner guard at the end of the outer guard [Figure 18].
4. Reattach the PTO driveline to the tractor PTO shaft.
5. Enter the operator's position. Start the engine.
6. With the rear PTO DISENGAGED, raise and lower the implement and watch the PTO driveline extend and retract.
7. If the outer PTO driveline guard slides in (retracts) over the mark at any point of travel, the PTO driveline needs to be shortened.



### Reducing The PTO Driveline Length

Stop the engine and leave the operator's position (See "Leaving The Operator's Position" in the Operation section). Make sure the PTO driveline and all rotating components have come to a complete stop before leaving the operator's position.

	WARNING
AVOID INJURY OR DEATH	
<ul style="list-style-type: none"> <li>• Do NOT exceed the rated implement PTO speed.</li> <li>• Stay clear of rotating driveline.</li> <li>• Keep bystanders away.</li> <li>• Keep hands, feet, clothing and long hair away.</li> <li>• Keep PTO shields and all guards in place.</li> <li>• Disengage PTO, move the tractor controls to the Neutral position, stop the engine and make sure all rotating components are stopped before leaving the operator's position.</li> <li>• Do NOT service the tractor or implement with the PTO engaged.</li> <li>• Do NOT service the implement in a raised position unless properly blocked and with all rotating components stopped.</li> <li>• Disengage PTO for road travel.</li> </ul>	

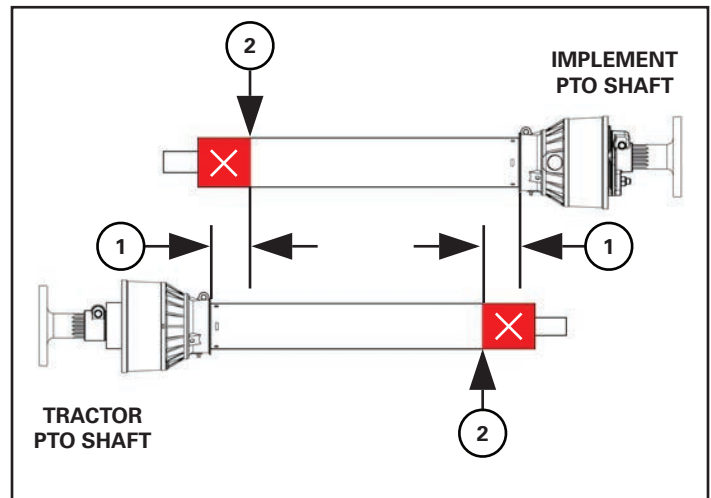
Remove the PTO driveline from the tractor and place in storage position (if equipped).

Enter the operator's position (See "Entering The Operator's Position" in the Operation section). Start the engine.

Raise or lower the three-point implement to get the shortest distance between the tractor PTO shaft and three-point implement gearbox PTO shaft. Stop the engine and leave the operator's position.

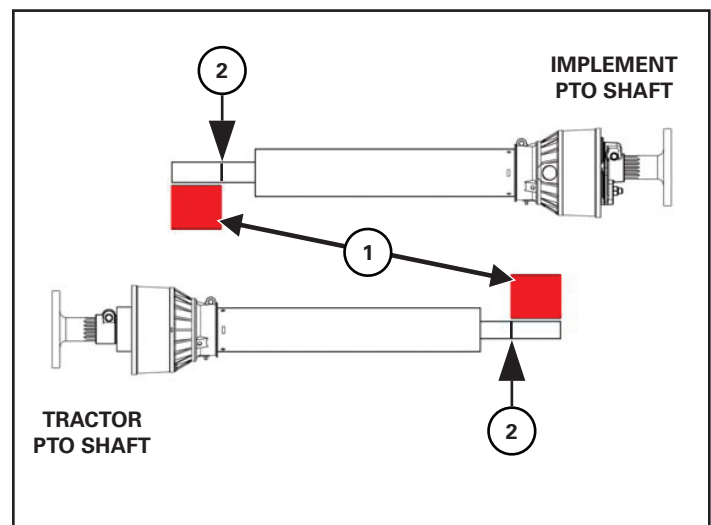
Pull the PTO driveline apart and reinstall each individual section; one half to the tractor PTO shaft and one half to the implement gearbox PTO shaft.

Figure 19



1. Hold PTO driveline sections parallel to one another and measure back 2 in. (50.8 mm) (Item 1) [Figure 19] from the yoke of each section and place mark on opposite section. Cut the plastic shield at this length (Item 2) [Figure 19].

Figure 20




2. Using the plastic guard lengths that were cut off in [Figure 19], align the cut off lengths (Item 1) [Figure 20] with the end of the inner & outer shafts. Place a mark (Item 2) [Figure 20] on the inner & outer shafts and cut the inner & outer shafts off at this length.
3. Round off all sharp edges and debur.
4. Thoroughly grease and install the PTO driveline halves together.
5. Recheck for proper operation.

### PTO Driveline Engagement Check

Stop the engine and leave the operator's position (See "Leaving The Operator's Position" in the Operation section).

Make sure the PTO driveline and all rotating components have come to a complete stop before exiting the tractor.

	<h2 style="margin: 0;">WARNING</h2>
<h3 style="margin: 0;">AVOID INJURY OR DEATH</h3>	
<ul style="list-style-type: none"> <li>• Do NOT exceed the rated implement PTO speed.</li> <li>• Stay clear of rotating driveline.</li> <li>• Keep bystanders away.</li> <li>• Keep hands, feet, clothing and long hair away.</li> <li>• Keep PTO shields and all guards in place.</li> <li>• Disengage PTO, move the tractor controls to the Neutral position, stop the engine and make sure all rotating components are stopped before leaving the operator's position.</li> <li>• Do NOT service the tractor or implement with the PTO engaged.</li> <li>• Do NOT service the implement in a raised position unless properly blocked and with all rotating components stopped.</li> <li>• Disengage PTO for road travel.</li> </ul>	

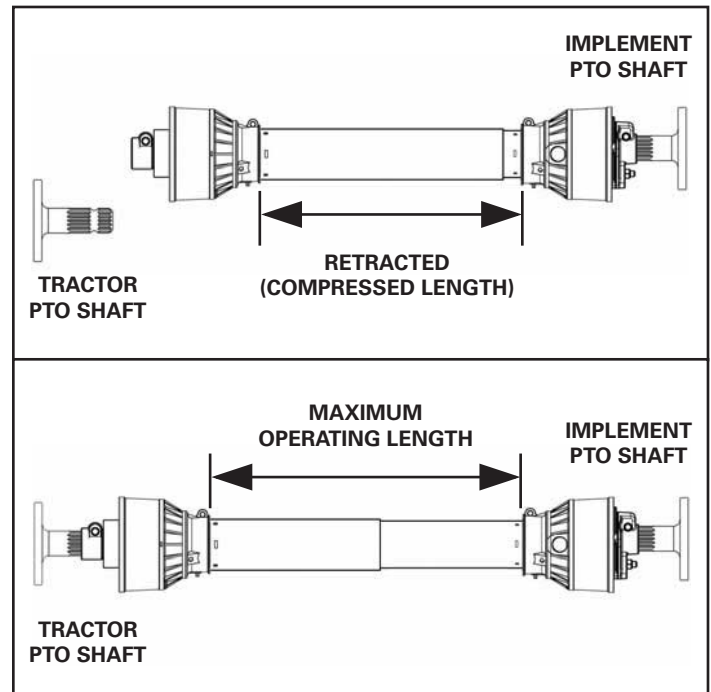
1. Disconnect the PTO driveline from the tractor and fully slide the driveline sections together (retracted).
2. Measure the retracted (compressed) length of the PTO driveline between the bases of the plastic guards [Figure 21].
3. Multiply the retracted driveline length by 1.667 to determine the PTO driveline Maximum Operating Length. (i.e.: 25.5 in. (647.7 mm) x 1.667= 42.5 in. (1079.7 mm) Maximum Operating Length).
4. Attach the PTO driveline to the tractor PTO output shaft.
5. Enter the operator's position. (See "Entering The Operator's Position" in the Operation section)

6. With the PTO driveline attached, position the three-point implement to where the telescoping PTO driveline is at its maximum operating extension.
7. Stop the engine and leave the operator's position. Make sure the PTO driveline and all rotating components have come to a complete stop before leaving the operator's position.
8. Measure the length of the PTO driveline between the bases of the plastic shields [Figure 21] to determine the maximum operating length.

If the measured maximum operating length is less than the Maximum Operating Length calculation (from Step 3), the PTO driveline has adequate engagement

If the measured maximum operating length is equal to or more than the Maximum Operating Length calculation (from Step 3), the PTO driveline does not have adequate engagement and should be replaced with a longer driveline. See your Farm King dealer for available PTO drivelines.

**Figure 21**






## Connecting Hydraulic Hoses

The snowblower may be equipped with the following hydraulic options, if applicable.

1. Hydraulic spout deflector
2. Hydraulic discharge chute

Push couplers into female couplers on the tractor until they are fully engaged and locked.


	<b>WARNING</b>
	
<p><b>HIGH PRESSURE FLUID HAZARD</b></p> <p>To prevent serious injury or death from high pressure fluid:</p> <ul style="list-style-type: none"> <li>• Relieve pressure on system before repairing or adjusting.</li> <li>• Wear proper hand and eye protection when searching for leaks. Use wood or cardboard instead of hands.</li> <li>• Keep all components in good repair.</li> </ul>	

	<b>IMPORTANT</b>
<p><b>Contain and dispose of any oil leakage in an environmentally safe manner.</b></p> <p><b>Thoroughly clean the quick couplers before making connections. Dirt can quickly damage the system.</b></p>	

**Note:** Make sure the quick couplers are fully engaged. If the quick couplers do not fully engage, check to see that the couplers are the same size and type.

## Disconnecting Hydraulic Hoses

Release pressure and pull the male couplers out to disconnect.

	<b>WARNING</b>
<p><b>AVOID BURNS</b></p> <p>Hydraulic fluid, tubes, fittings and quick couplers can get hot when running equipment. Be careful when connecting and disconnecting quick couplers.</p>	

## Adjusting Skid Shoe Height

	WARNING
<p><b>AVOID INJURY OR DEATH</b></p> <p><b>Before you leave the operator's position:</b></p> <ul style="list-style-type: none"> <li>• Always park on a flat level surface.</li> <li>• Place all controls in <b>NEUTRAL</b>.</li> <li>• Engage the park brake.</li> <li>• Stop the engine and remove the key.</li> <li>• Wait for all moving parts to stop.</li> </ul>	

	WARNING
<p><b>AVOID INJURY OR DEATH</b></p> <p><b>Securely block up the implement before working underneath.</b></p>	

Park the tractor and implement on a flat level surface.

Fully raise the snowblower.

Stop the engine and leave the operator's position. (See "Leaving The Operator's Position" in the Operation section). Make sure the PTO driveline and all rotating components have come to a complete stop before leaving the operator's position.

Place blocking under the snowblower. Position blocking away from skid shoes, allowing access to skid shoe mounting bolts and nuts.

Enter the operator's position. (See "Entering The Operator's Position" in the Operation section). Start the engine.

Lower the snowblower onto the blocking.

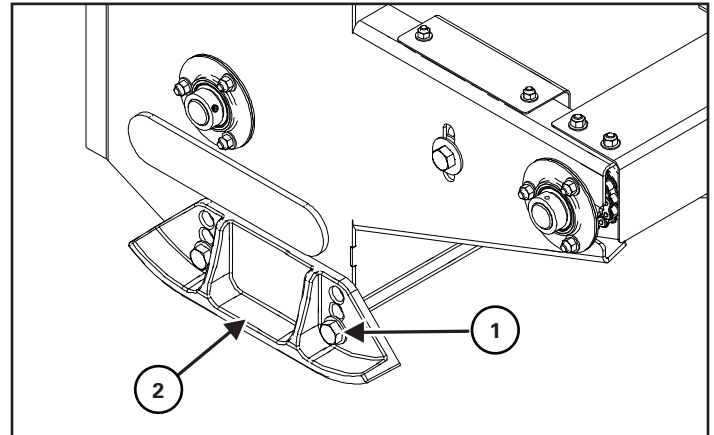
Stop the engine and leave the operator's position.

Skid Shoe Settings:

**Decrease Working Depth** - Lower skid shoes.

**Increase Working Depth** - Raise skid shoes.

**Figure 22**



Loosen bolt(s) and nut(s) (Item 1) on the skid shoe (Item 2) [Figure 22]. Raise or lower the skid shoe to the desired depth setting. Reinstall bolts and nuts to secure the skid shoe in position.

**Note: Skid shoes must be level from front to back. Left and right skid shoes must be set at the same working depth.**

Repeat procedure on opposite skid shoe.

Verify both skid shoes are set at the same depth setting.

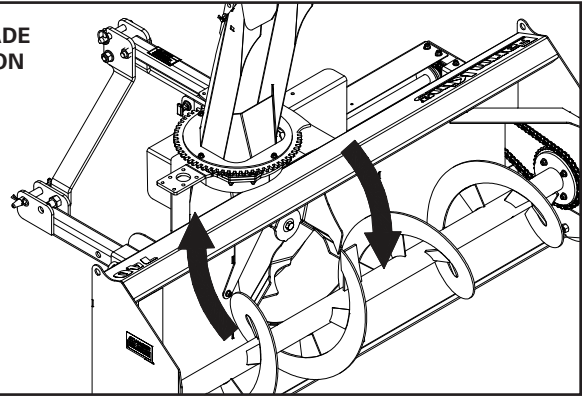
## Theory Of Operation



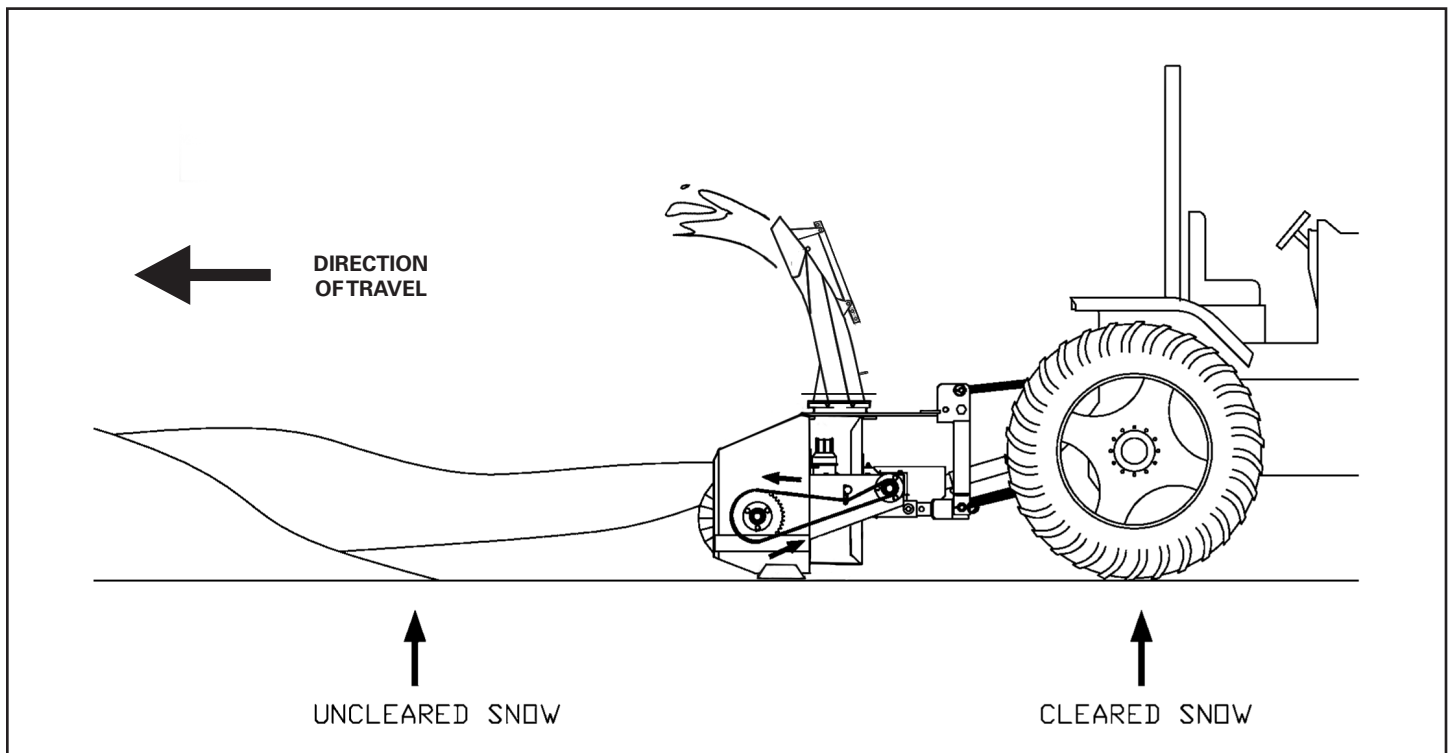
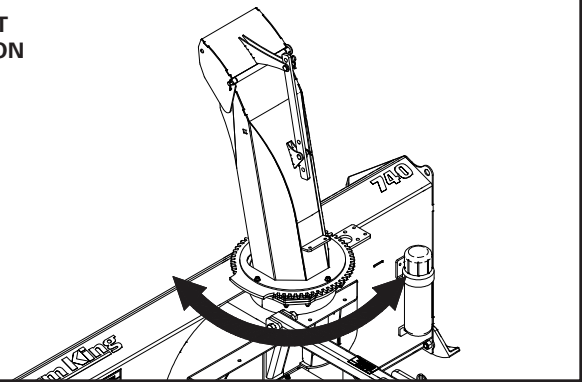
# CAUTION

- Read operator and parts manual before operating the implement.
- Do not permit riders.
- Keep all guards and shields in place.
- Keep hands, feet, clothing and hair away from moving parts.
- Stop engine, set brake, remove key and wait for all moving parts to stop before servicing, adjusting, repairing and unplugging.
- Remove bystanders, especially children, before starting or while operating.
- Block up before working beneath unit.
- Review safety instructions annually.
- Operate only at 540 RPM.

FAN BLADE ROTATION




SPOUT ROTATION



## Transporting

Always comply with federal, state, local and provincial laws regarding the transport of farm equipment on public roadways.

	<b>WARNING</b>
<b>AVOID INJURY OR DEATH</b>	
<ul style="list-style-type: none"> <li>• Disengage PTO for road travel.</li> <li>• Keep PTO shields and all guards in place</li> <li>• Keep bystanders away.</li> <li>• Do not allow riders.</li> <li>• Always use hazard flashers on the tractor when transporting unless prohibited by law.</li> <li>• Always follow local regulations when transporting on public roadways. Check with your local authorities.</li> </ul>	

	<b>IMPORTANT</b>
<b>Never exceed 20 mph (32 kph).</b>	

	<b>WARNING</b>
<b>Use of an unapproved hitch or tractor / tow vehicle can result in loss of control, leading to serious injury or death.</b>	
<b>Tractor / tow vehicle and hitch must have the rated capacity to tow equipment.</b>	

Verify that the tractor / tow vehicle is approved for transporting the equipment and that the equipment is securely attached to the tractor / tow vehicle.

Verify safety chain is installed and properly connected before transporting equipment.

Verify that the SMV (Slow Moving Vehicle) emblem, all lights and reflectors are clean and visible.

The ratio of the tractor / tow vehicle weight to the loaded equipment weight plays an important role in defining acceptable travel speed.

TRAVEL SPEED - Acceptable travel speed.

WEIGHT RATIO - Weight of fully equipped or loaded implement(s) relative to weight of tractor / tow vehicle.

Travel Speed	Weight Ratio
20 mph (32 kph)	Less than 1 to 1
10 mph (16 kph)	Less than 2 to 1
DO NOT TOW	More than 2 to 1

# Maintenance

Service Schedule Chart.....43

Lubrication.....44

    Recommendations.....44

    Locations.....44

    Oil Bath Gearbox.....46

Chains And Fasteners.....46

Safety Sign (Decal) Installation.....47

Storage And Return To Service.....47


    Storage.....47

    Return To Service.....48

# Farm King



## Service Schedule Chart

	WARNING
<p><b>Instructions are necessary before operating or servicing equipment. Read and understand the Operator And Parts Manual and safety signs (decals) on equipment. Follow warnings and instructions in the manuals when making repairs, adjustments or servicing. Check for correct function after adjustments, repairs or service. Untrained operators and failure to follow instructions can cause injury or death.</b></p>	

**Note:** If a problem is encountered that is difficult to solve, even after having read through this troubleshooting section, please call your local distributor, dealer or factory. Before you call, please have this Operator And Parts Manual and the serial number of your machine at hand.

Maintenance work must be done at regular intervals. Failure to do so will result in excessive wear and early failures. The service schedule is a guide for correct maintenance of the snowblower.

#	DESCRIPTION	SERVICE PROCEDURES					
		CHECK	CLEAN	LUBE	CHANGE	COVER	DRAIN
Daily Maintenance (or every 8 hours)							
1	PTO Cross and Bearings	✓		✓			
Weekly (or every 50 hours)							
2	PTO Telescoping Tubes			✓			
3	Slip Clutch Connector			✓			
4	PTO Quick Disconnect			✓			
5	Spout Ring & Clamps			✓			
6	Chain Drive			✓			
7	Oil Bath Gearbox	✓					
Annually (or every 500 hours)							
8	Driveline & Gears	✓		✓			
9	Machine	✓	✓				
10	Oil Bath Gearbox	✓			✓		



## Lubrication

### Recommendations

Always use a good quality multi-purpose / lithium base grease when lubricating the equipment.

- Always use a hand-held grease gun.
- Clean fitting before greasing, to avoid injecting dirt and grit.
- Replace and repair broken fittings immediately.
- If fittings will not take grease, remove and clean thoroughly. Replace fitting if necessary.

WARNING

AVOID INJURY OR DEATH

Stop engine, set brake, remove ignition key, and wait for all moving parts to stop before servicing, adjusting, repairing, or unplugging.

Support the equipment with blocks or safety stands before working beneath it.

Follow good shop practices:

- Keep service area clean and dry
- Be sure electrical outlets and tools are properly grounded
- Use adequate light for the job.

Use only tools, jacks, and hoists of sufficient capacity for the job.

Replace and secure all shields removed during servicing before operating.

Use heavy leather gloves to handle sharp objects.

Check hydraulics regularly for leaks. Use cardboard to look for leaks, and use hand and eye protection.

Relieve pressure on hydraulic system before repairing or adjusting.

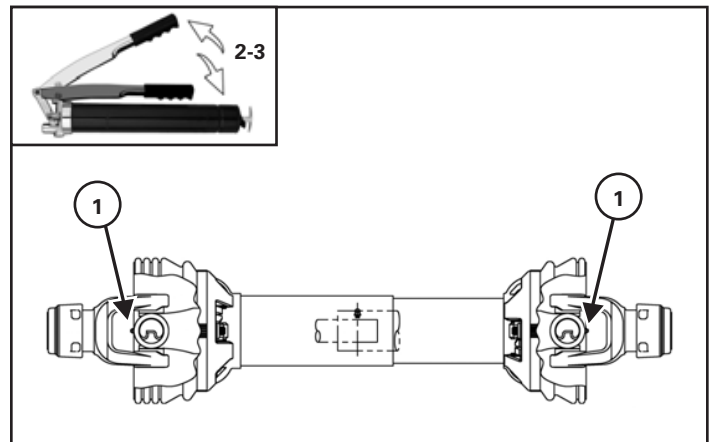
### Locations

!

IMPORTANT

**Fluid such as engine oil, hydraulic fluid, coolants, grease, etc. must be disposed of in an environmentally safe manner. Some regulations require that certain spills and leaks on the ground must be cleaned in a specific manner. See local, state and federal regulations for the correct disposal.**

Figure 23

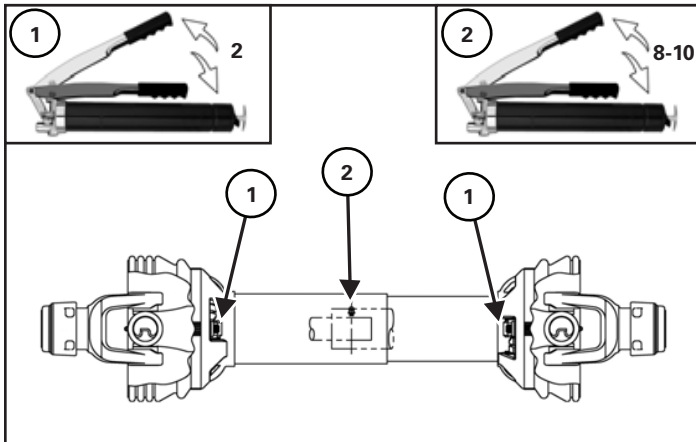


Apply two to three pumps of grease to the cross and bearings (Item 1) [Figure 23] on the PTO driveline.

Grease every **8 hours**.

**Note:** Images may not show your exact PTO driveline but the procedure is correct.

**Figure 24**

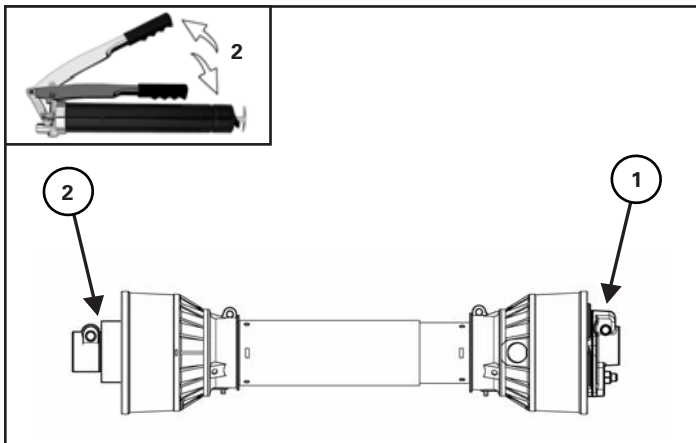


Apply two pumps of grease to the guard bushings (Item 1) [Figure 24].

Apply eight to ten pumps of grease to the telescoping member (Item 2) [Figure 24].

Grease every **50 hours**.

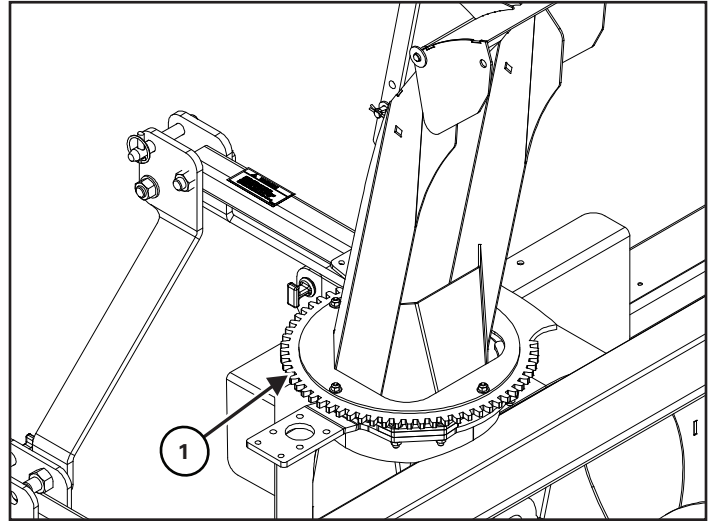
**Figure 25**



Apply two pumps of grease to the slip clutch (Item 1) [Figure 25] and PTO quick disconnect (Item 2) [Figure 25].

Grease every **50 hours**.

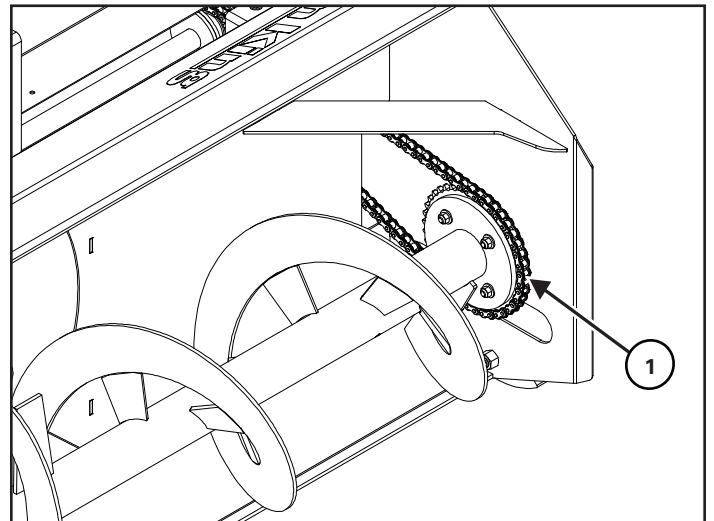
**Figure 26**



Apply grease to spout clamps and rings (Item 1) [Figure 26].

Grease every **50 hours**.

**Figure 27**

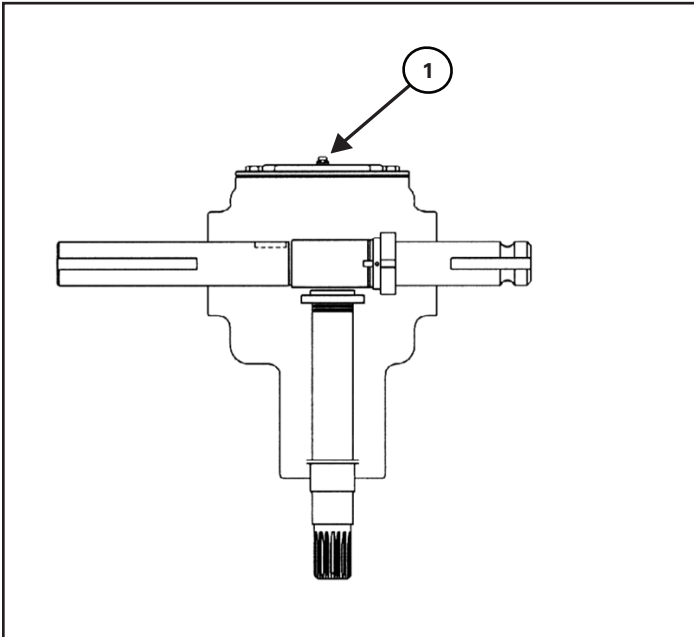


Apply chain lube to chain drive (Item 1) [Figure 27].

Lube every **50 hours**.

## Oil Bath Gearbox

Figure 28



### 84" G Models

Check the oil level using the plug on the lid (Item 1) [Figure 28].

The correct level is even with the bottom of the plug.

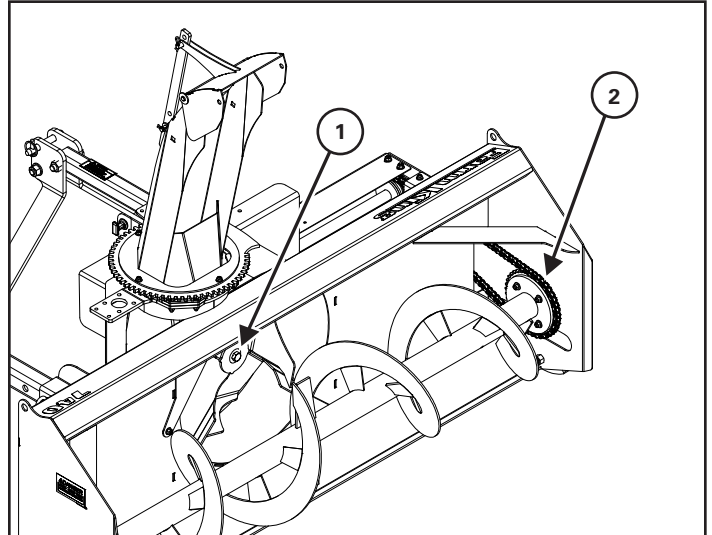
Add SAE 80W-90 gear oil if the oil level is low.

Check oil level every **50 hours**.

## Chains And Fasteners

Periodically check all bolts and fasteners for tightness.

Figure 29



Check the main fan bolt (Item 1) [Figure 29] for tightness.

Check the tension in the drive chain (Item 2) [Figure 29]. Slack on the lower side of the chain should be 3/8" to 1/2".

### Check the shear bolts on the PTO driveline.

74" / 84" models:

- 3/8" x 2-1/4" GR5

Shear bolts should be fastened with a lock nut or two jam nuts. These bolts must be kept tight to prevent wear of the bolt and bolt holes.

## Safety Sign (Decal) Installation



- Remove all portions of the damaged safety sign (decal).
- Thoroughly clean the area with adhesive remover and glass cleaner. Remove all adhesive residue.
- Allow the area to dry completely before installing the new safety sign (decal).
- Position the safety sign (decal) in the correct location.
- Remove a small portion of the backing paper on the safety sign (decal).
- Press on the safety sign (decal) where the backing paper has been removed.
- Slowly remove the remaining backing paper, pressing on the safety sign (decal) as the backing paper is removed.
- Using the backing paper, pressing firmly, move the backing paper over the entire safety sign (decal) area.

**Note:** Small air pockets can be pierced with a pin and smoothed out using the piece of the backing paper.

## Storage And Return To Service

### Storage

Sometimes it may be necessary to store your Farm King snowblower for an extended period of time. Below is a list of items to perform before storage.



- Thoroughly wash the machine with a pressure washer or water hose to remove all dirt, mud, debris or residue.
- Lubricate all bushings to remove any water residue from washing.
- Remove any material that has become entangled around any moving part.
- Place hydraulic hoses or electrical connector (if applicable) in the storage brackets.
- Inspect the hitch and all welds on the equipment for wear and damage.
- Check for loose hardware, missing guards, or damaged parts.
- Check for damaged or missing safety signs (decals). Replace if necessary.
- Replace worn or damaged parts.
- Touch up all paint nicks and scratches to prevent rusting.
- Place the equipment in a dry protected shelter.

**Note:** If a dry protected shelter is not available, cover with a waterproof tarp and tie down securely.

- Place the equipment flat on the ground.
- Support the jack / frame with planks if required.

## **Return To Service**

After the equipment has been in storage, it is necessary to follow a list of items to return the equipment to service.

- Be sure all shields and guards are in place.
- Lubricate the equipment.
- Connect to a tractor and operate equipment, verify all functions operate correctly.
- Repair as needed.

## Parts Identification

Main Components - Open Gearbox.....	51
Main Components - Oil Bath Gearbox.....	55
Oil Bath Gearbox - 84" Models.....	59
Three Point Hitch - 74" Models.....	60
Three Point Hitch - 84" Models.....	61
Hydraulic Spout Rotator.....	62
Hand Crank Spout Rotator.....	63
Hydraulic Spout Deflector Cylinder & Hose Kit.....	64
PTO Shaft.....	65
PTO Additional Components.....	66

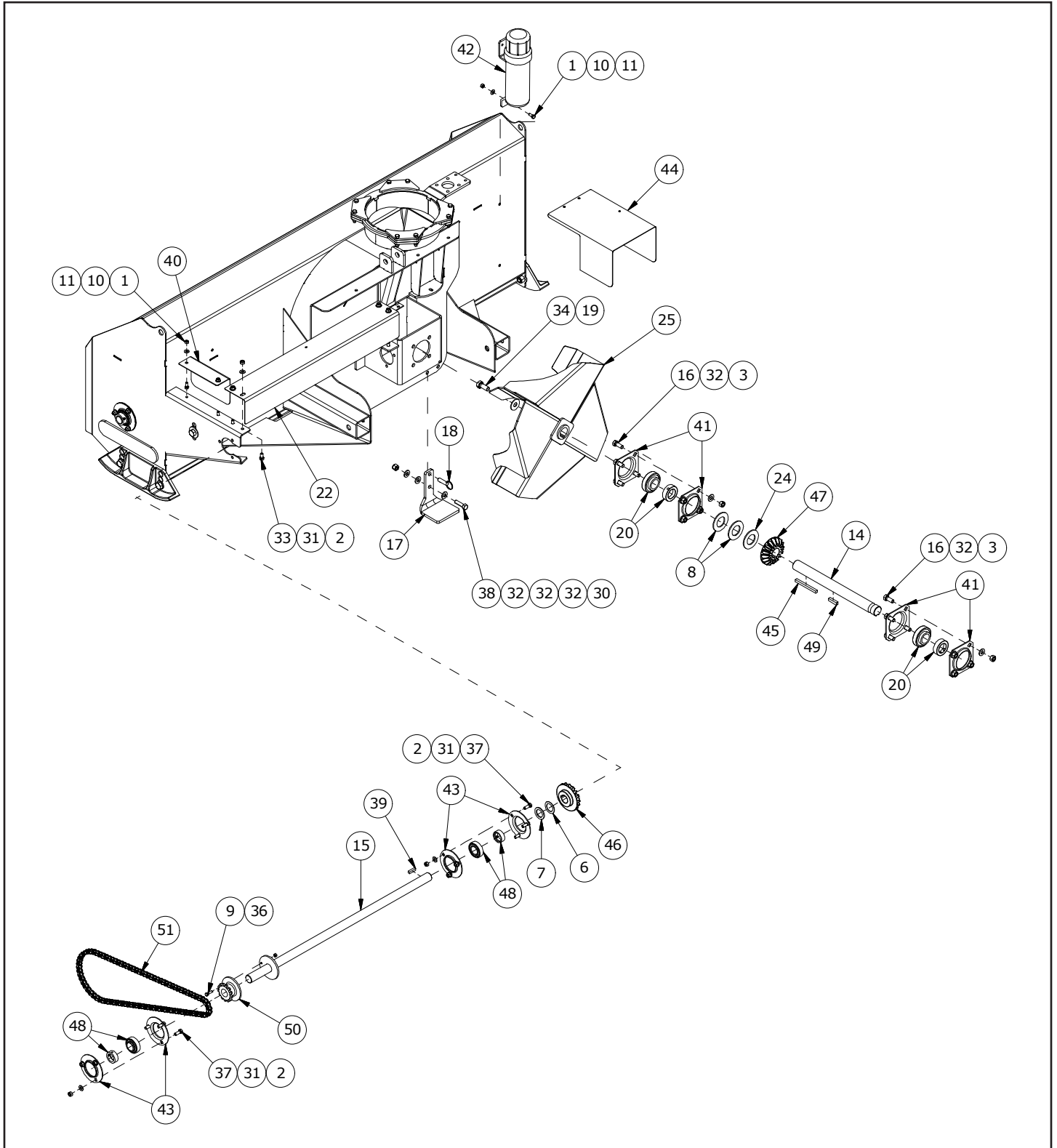
# Farm King



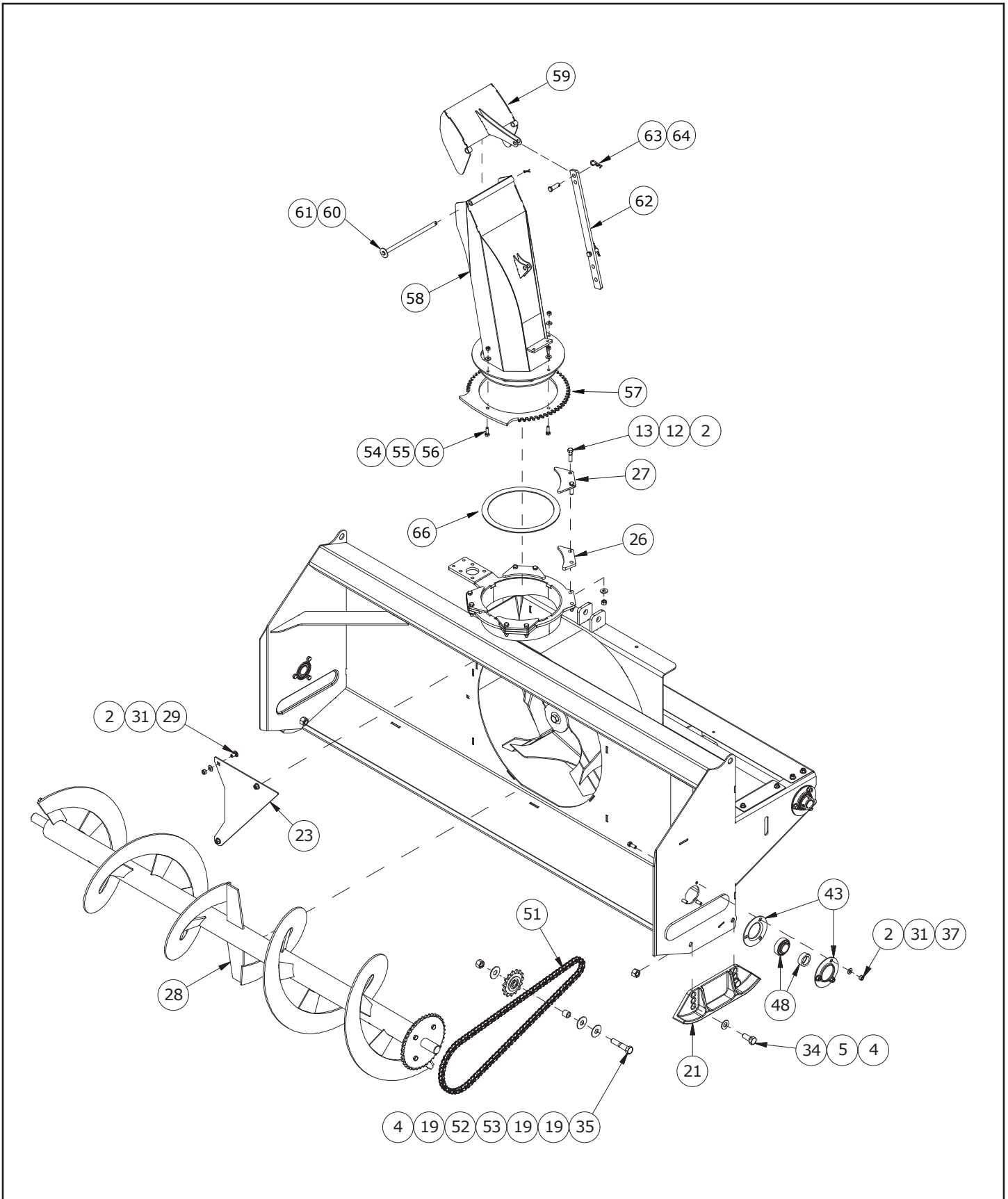


## Main Components - Open Gearbox

Always give your dealer the Model, Color and Serial Number of your machine to assist them in ordering and obtaining the correct parts. Use the exploded view and tabular listing of the area of interest to exactly identify the required part.



Main Components - Open Gearbox



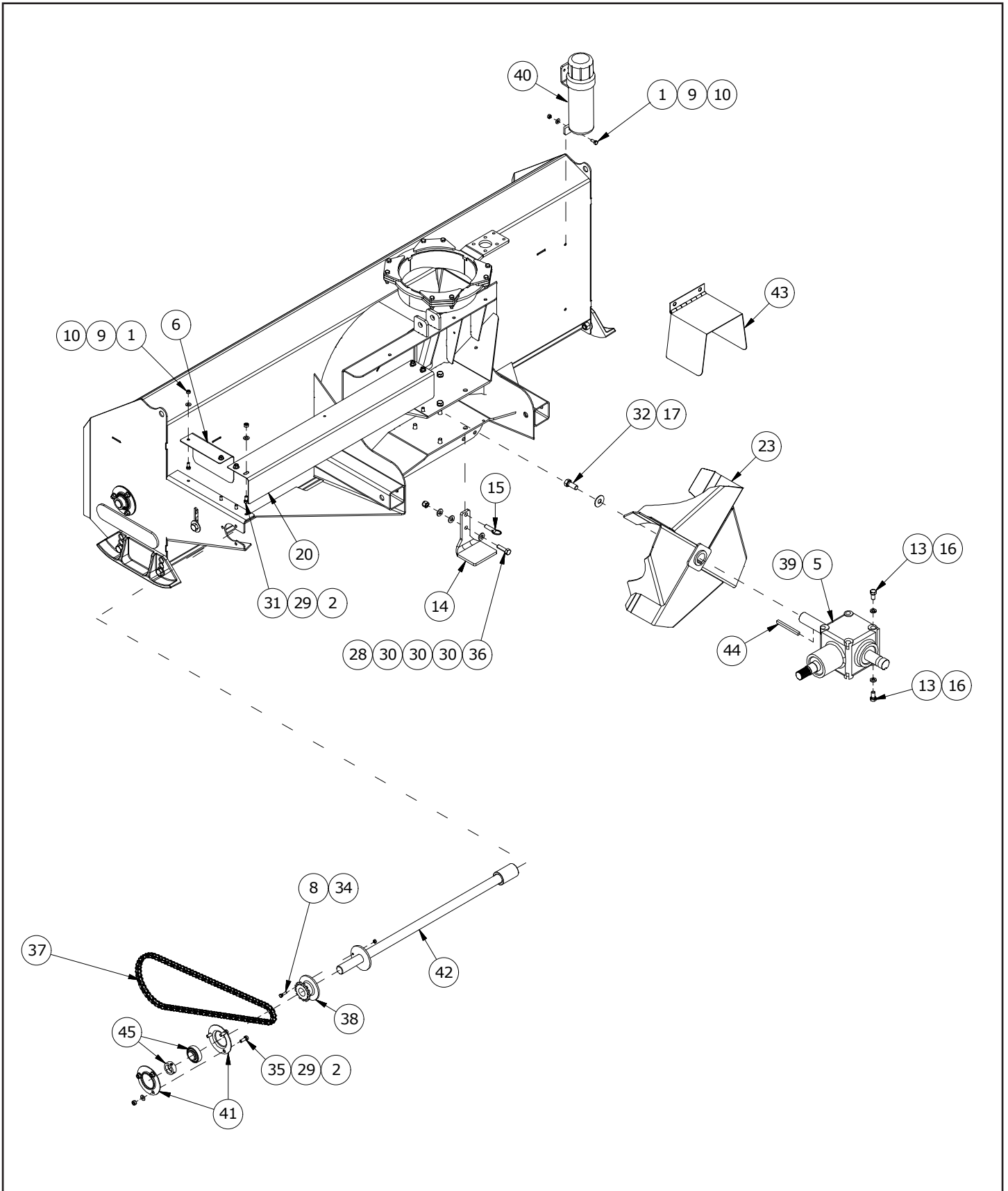
**Main Components - Open Gearbox**

ITEM	PART NUMBER	DESCRIPTION	QTY.
1	812362	5/16" LOCK NUT (PL)	4
2	812363	3/8" LOCK NUT (PL)	27
3	812364	1/2" LOCK NUT (PL)	8
4	812482	5/8" LOCK NUT (PL)	5
5	812639	WASHER 0.625 SAE FLAT BS PL	4
6	9812440	1 1/4" X 18GA NR WASHER (BR)	1
7	9812442	1 1/4" X 10GA FLAT WASHER (BR)	1
8	9812445	1 1/2" X 10GA NARROW RIM WASH (BR)	2
9	81527	1/4" X 1" HEX BOLT (PL)	1
10	81546	5/16" FLAT WASHER (PL)	4
11	81549	5/16" X 3/4" HEX BOLT (PL)	4
12	81570	WASHER - 5/16" STD FLAT (PL)	8
13	81578	3/8" X 1 3/4" HEX BOLT (PL)	8
14	816137	74/84 FAN SHAFT	1
15	816169	WELDMENT - 74" SB DRIVE SHAFT	1
	816171	WELDMENT - 84" SB DRIVE SHAFT	1
16	81620	1/2" X 1 1/4" HEX BOLT PL	8
17	816255	74 & 84 PARKING STAND	1
18	816268	1/2" X 1" (USABLE LENGTH) DETENT PIN	1
19	81678	5/8" FLAT WASHER STD (PL)	4
20	968627	1 1/2" BRG W/ COLLAR	2
21	817162	SB CAST SKID SHOE	2
22	817455	GUARD - DRIVESHAFT 74"	1
	817454	GUARD - DRIVESHAFT 84"	1
23	818134	PLATE - FAN SHIELD	1
24	9812443	1 1/2" X 18GA NARROW RIM WASH (BR)	1
25	818678	WELDMENT - 74"/84" FAN - 7GA	1
26	819882	PLATE - 74"/84" SPOUT SPACER	4
27	819885	PLATE - 74"/84" SPOUT CLAMP	4
28	819010	ASSEMBLY - 74" PTO/BNRY STD AUGER	1
	819011	ASSEMBLY - 84" PTO/BNRY STD AUGER	1
	819012	ASSEMBLY - 74" PTO/BNRY PR AUGER	1
	819013	ASSEMBLY - 84" PTO/BNRY PR AUGER	1
29	81914	3/8" X 1" CARRIAGE BOLT (PL)	3
30	81966	NUT LOCK (NYLON) 0.500NC PL	1
31	84039	WASHER - 3/8" SAE FLAT (PL)	19
32	84048	1/2" SAE FLAT WASHER (PL)	11
33	84072	3/8" X 3/4" HEX BOLT (PL)	4
34	84268	5/8" X 1 1/2" HEX BOLT (PL)	5

## Main Components - Open Gearbox

ITEM	PART NUMBER	DESCRIPTION	QTY.
35	84289	5/8" X 3" HEX BOLT GR.5 (PL)	1
36	84498	1/4" LOCK NUT (PL)	1
37	86170	3/8" X 1" HEX BOLT GR.5 (PL)	12
38	87553	1/2" X 1.75" HEX BOLT UNC GR5 (PL)	1
39	901940	DR SHFT KEY 5/16" X 5/16" X 1 1/4"	1
40	965968	14GA X 7 1/2" X 8" IDLER SHLD	1
41	967260	3.15"Ø BEARING FLANGE	4
42	909277	MANUAL HOLDER	1
43	961637	BEARING FLANGE 62MS	8
44	965410	PTO SHLD 14GA	1
45	965814	3/8" X 3/8" X 4 1/4" FAN SHFT KEY	1
46	965816	BEV GEAR 1 1/4" BORE	1
47	965817	BEV GEAR 1 1/2" BORE	1
48	965818	1 1/4" BEARING AEL206-104 (RHP #1230)	4
49	965821	3/8" X 3/8" X 1 3/4" KEY	1
50	965826	SHEAR SPROCKET 13T #50 1 1/4" BORE	1
51	965827	RCHAIN #50 X 98 LINK W/ CONN	1
52	965844	IDLER SPRKT 15T #50	1
53	965928	BUSHING - 0.84"OD X 0.109"W X 0.75"	1
54	812026	5/16" X 1" HEX BOLT (PL)	4
55	812362	5/16" LOCK NUT (PL)	4
56	81546	5/16" FLAT WASHER (PL)	4
57	818295	74/84 SPOUT GEAR RING	1
58	819891	WELDMENT - 74/84 SPOUT	1
59	818309	WELDMENT - 74/84 DEFLECTOR	1
60	818300	WELDMENT - 74/84 DEFELCTOR HINGE ROD	1
61	9812430	1/8" X 1" COTTER PIN (PL)	1
62	965646	1/2" X 1 1/4" X 18" ADJ BAR	1
63	961876	1/2" X 1 1/2" CLEV PIN (PL)	2
64	961012	#16 HAIR PIN CLIP	2
66	819947	SPACER - 74"/84" PLASTIC RING	1

# Main Components - Oil Bath Gearbox





**Main Components - Oil Bath Gearbox**

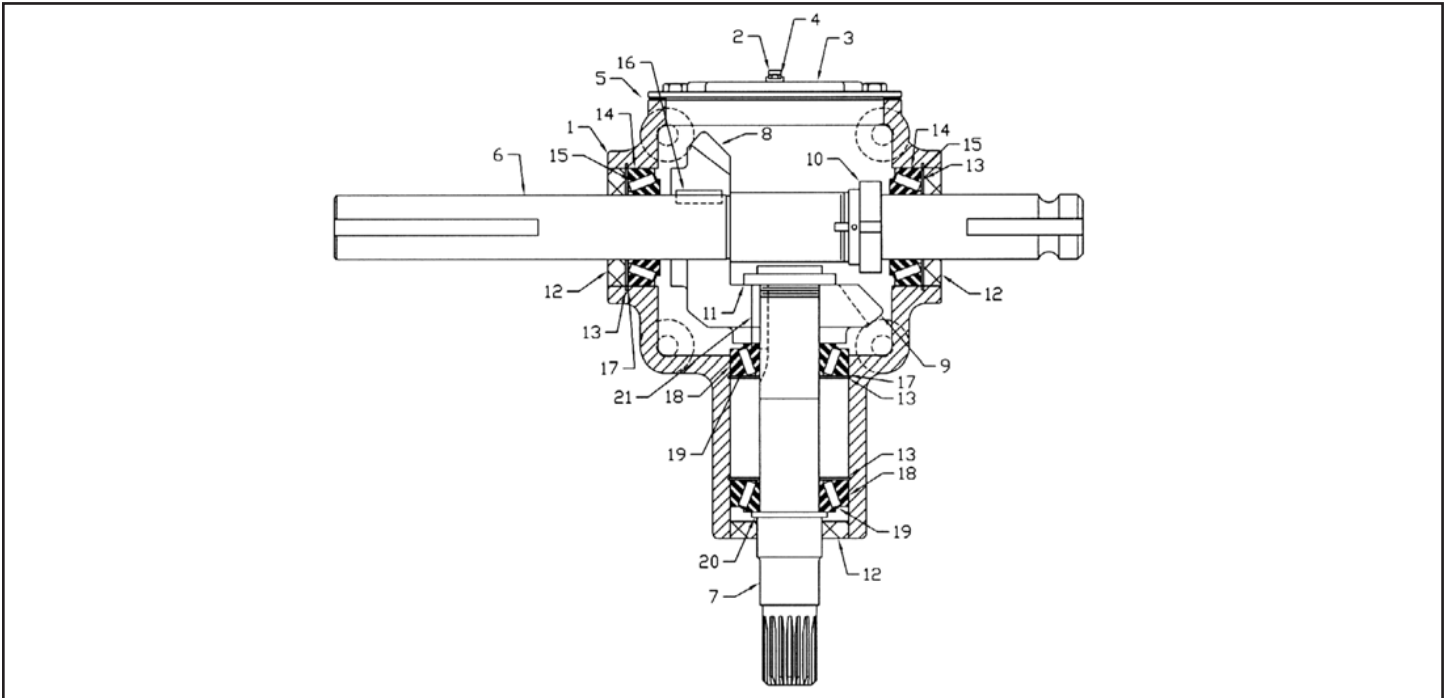
ITEM	PART NUMBER	DESCRIPTION	QTY.
1	812362	5/16" LOCK NUT (PL)	4
2	812363	3/8" LOCK NUT (PL)	24
3	812482	5/8" LOCK NUT (PL)	5
4	812639	WASHER 0.625 SAE FLAT BS PL	4
5	BU50506	GBOX	1
6	965968	14GA X 7 1/2" X 8" IDLER SHLD	1
7	965928	BUSHING - 0.84"OD X 0.109"W X 0.75"	1
8	81527	1/4" X 1" HEX BOLT (PL)	1
9	81546	5/16" FLAT WASHER (PL)	4
10	81549	5/16" X 3/4" HEX BOLT (PL)	4
11	81570	WASHER - 5/16" STD FLAT (PL)	8
12	81578	3/8" X 1 3/4" HEX BOLT (PL)	8
13	81619	1/2" X 1" HEX BOLT (PL)	8
14	816255	74 & 84 PARKING STAND	1
15	816268	1/2" X 1" (USABLE LENGTH) DETENT PIN	1
16	81637	1/2" LOCK WASHER (PL)	8
17	81678	5/8" FLAT WASHER STD (PL)	4
18	965844	IDLER SPRKT 15T #50	1
19	817162	SB CAST SKID SHOE	2
20	817454	GUARD - DRIVESHAFT 84"	1
21	818134	PLATE - FAN SHIELD	1
22	961012	#16 HAIR PIN CLIP	2
23	818678	WELDMENT - 74"/84" FAN - 7GA	1
24	819882	PLATE - 74"/84" SPOUT SPACER	4
25	819885	PLATE - 74"/84" SPOUT CLAMP	4
26	819011	ASSEMBLY - 84" PTO/BNRY STD AUGER	1
	819013	ASSEMBLY - 84" PTO/BNRY PR AUGER	1
27	81914	3/8" X 1" CARRIAGE BOLT (PL)	3
28	81966	NUT LOCK (NYLON) 0.500NC PL	1
29	84039	WASHER - 3/8" SAE FLAT (PL)	16
30	84048	1/2" SAE FLAT WASHER (PL)	3
31	84072	3/8" X 3/4" HEX BOLT (PL)	4
32	84268	5/8" X 1 1/2" HEX BOLT (PL)	5
33	84289	5/8" X 3" HEX BOLT GR.5 (PL)	1
34	84498	1/4" LOCK NUT (PL)	1
35	86170	3/8" X 1" HEX BOLT GR.5 (PL)	9
36	87553	1/2" X 1.75" HEX BOLT UNC GR5 (PL)	1
37	965827	RCHAIN #50 X 98 LINK W/ CONN	1
38	965826	SHEAR SPROCKET 13T #50 1 1/4" BORE	1
39	908725	SAE 80W-90 GEAR OIL	0.7



**Main Components - Oil Bath Gearbox**

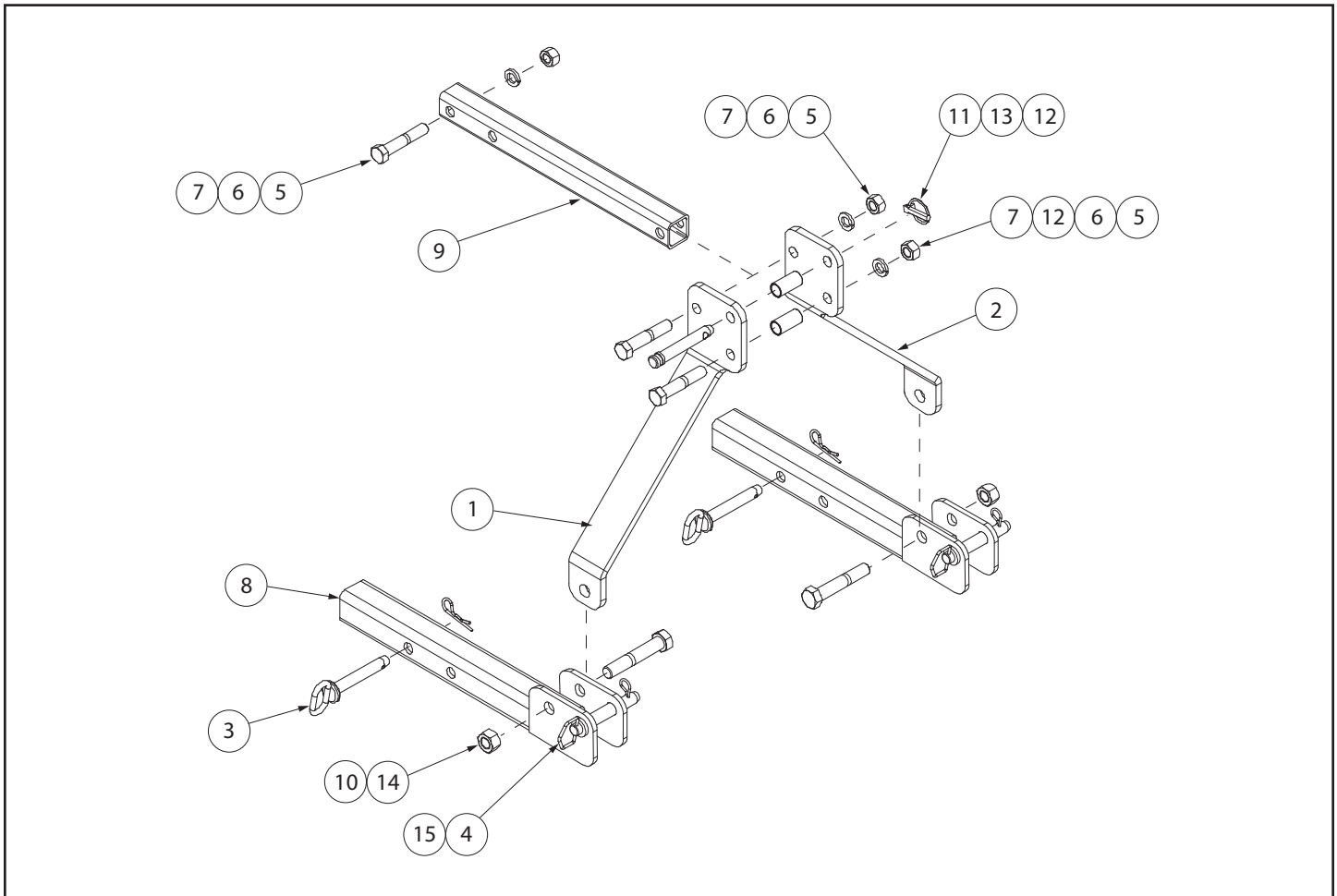
ITEM	PART NUMBER	DESCRIPTION	QTY.
40	909277	MANUAL HOLDER	1
41	961637	BEARING FLANGE 62MS	6
42	965403	DRIVE SHAFT WELDT	1
43	965409	PTO SHLD WELDT	1
44	965814	3/8" X 3/8" X 4 1/4" FAN SHFT KEY	1
45	965818	1 1/4" Bearing AEL206-104 (RHP #1230)	3
46	812026	5/16" X 1" HEX BOLT (PL)	4
47	812362	5/16" LOCK NUT (PL)	4
48	81546	5/16" FLAT WASHER (PL)	4
49	818295	74/84 SPOUT GEAR RING	1
50	819891	WELDMENT - 74/84 SPOUT	1
51	818309	WELDMENT - 74/84 DEFLECTOR	1
52	818300	WELDMENT - 74/84 DEFELCTOR HINGE ROD	1
53	9812430	1/8" X 1" COTTER PIN (PL)	1
54	965646	1/2" X 1 1/4" X 18" ADJ BAR	1
55	961876	1/2" X 1 1/2" CLEV PIN (PL)	2
56	819947	SPACER - 74"/84" PLASTIC RING	1

## Oil Bath Gearbox - 84" Models



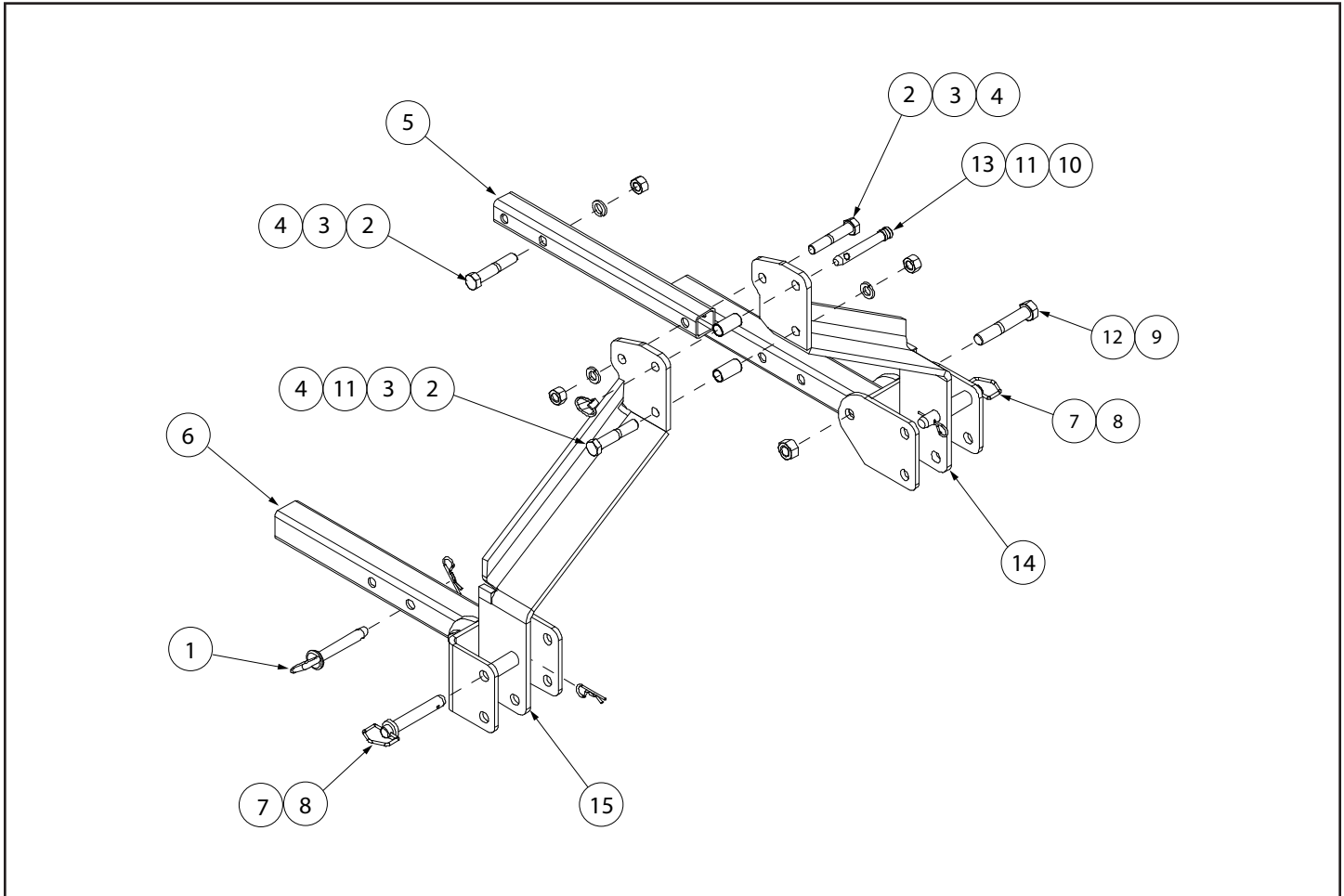
ITEM	PART NUMBER	DESCRIPTION
1	BU50310	GEARBOX CASTING ONLY
2	BU500089-3	PIPE PLUG
3	BU50457	GEARBOX COVER
4	BU500167-1	RELIEF VALVE
5	BU50458	GEARBOX GASKET
6	BU50508	CROSS SHAFT
7	BU50502	PINION SHAFT
8	BU50329	BEVEL GEAR - 1-1/2" BORE
9	BU50331	BEVEL GEAR - 1-3/8" BORE
10	BU50428	STAKING LOCK NUT
11	BU50444	STAKING LOCK NUT
12	BU50422-1	OIL SEAL (3 USED)
13	BU50415	RETAINER RING (4 USED)
14	BU575902	BEARING CUP (2 USED)
15	BU575901	BEARING CONE (2 USED)
16	BU50429	KEY
17	BU50210X	SHIM SET
18	BU575907	BEARING CUP (2 USED)
19	BU575906	BEARING CONE (2 USED)
20	BU278811	RETAINER RING
21	BU50417-1	KEY
-	BU50506	GEARBOX COMPLETE

### Three Point Hitch - 74" Models



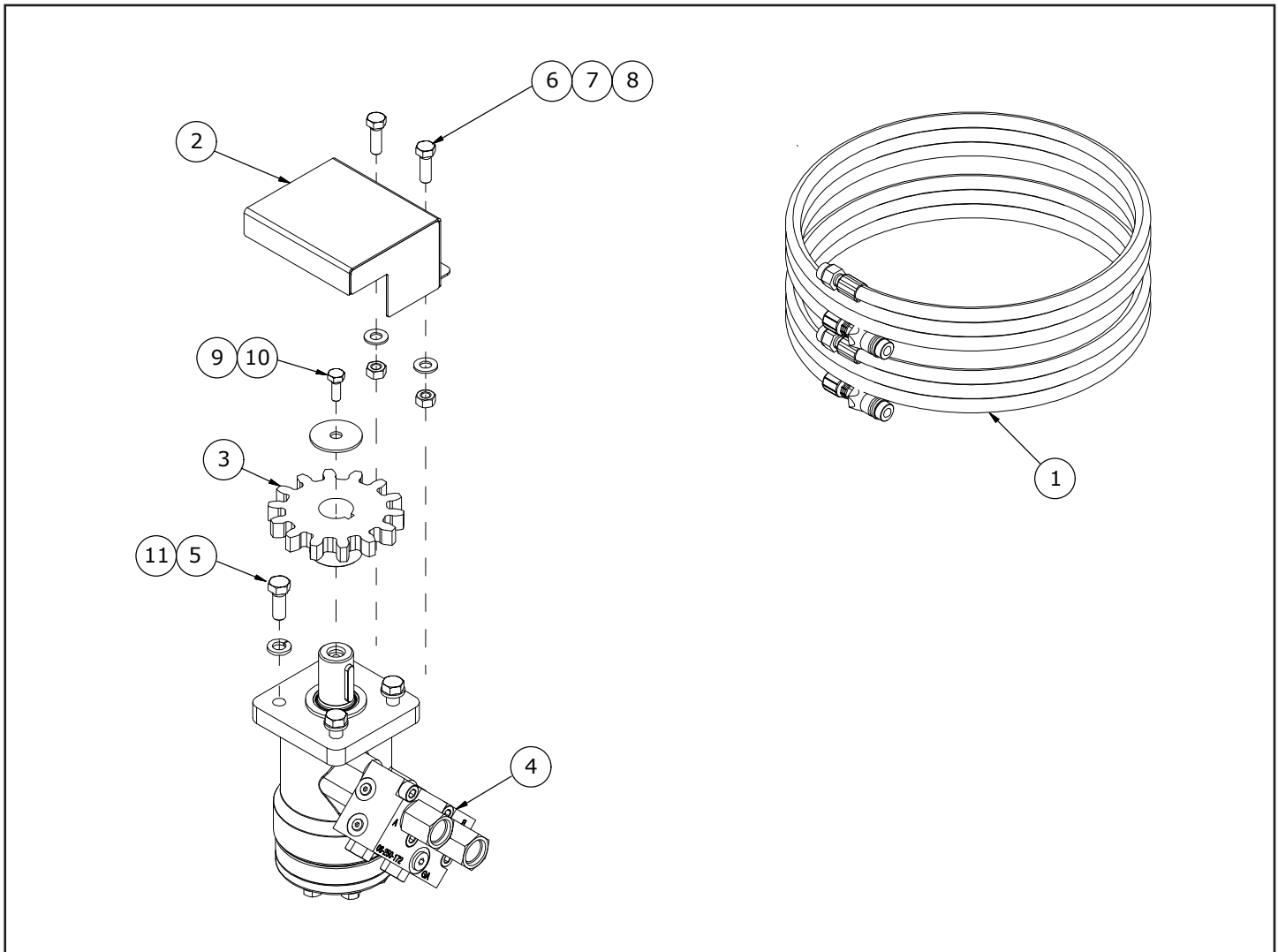
ITEM	PART NUMBER	DESCRIPTION	QTY.
1	815263	74" HITCH LHS	1
2	815264	74" HITCH RHS	1
3	816131	3/4" DIA. X 4.25" LG CLEV PIN	2
4	907315	74"/84" HITCH PIN	2
5	812365	3/4" LOCK NUT (PL)	3
6	84050	3/4" FLAT WASHER (PL)	3
7	84336	3/4" X 4" HEX BOLT (PL)	3
8	907213	BTM TUBE WELDT	2
9	907217	3/16"W X 2" X 2" X 22" UPR HTCH TUBE - CAT 1 HTCH	1
10	907674	7/8" LOCK NUT	2
11	965807	CAT. 1 TOP LINK PIN	1
12	965808	TOP LINK PIN BUSHING CAT 1 & 2	2
13	965911	7/16" LINCH PIN	1
14	811826	7/8" X 5" HEX BOLT (PL)	2
15	820196	BUSHING - 1.125" OD X 0.907ID X 2.375"	2

### Three Point Hitch - 84" Models



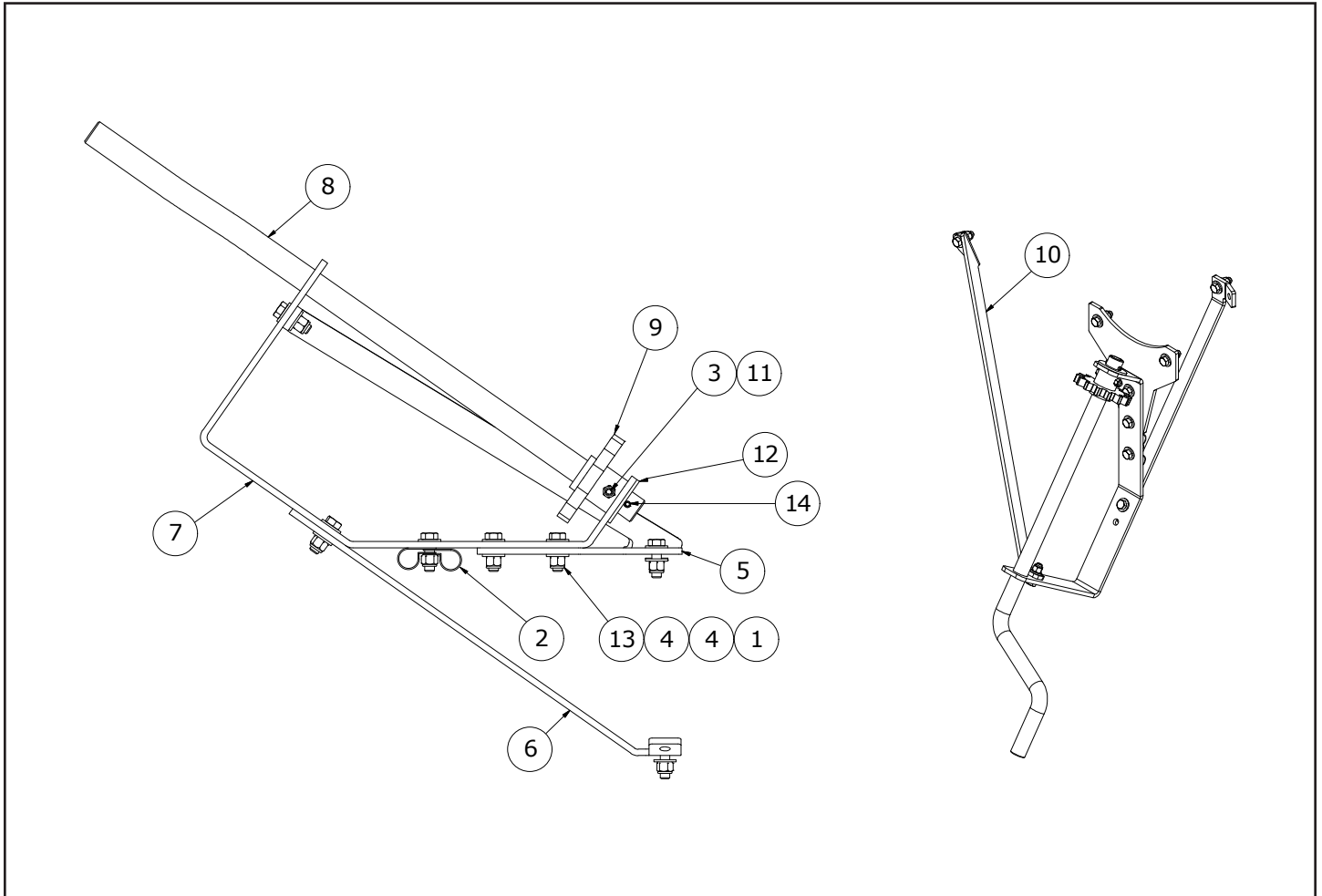
ITEM	PART NUMBER	DESCRIPTION	QTY.
1	816131	3/4" DIA. X 4.25" LG CLEV PIN	2
2	812365	3/4" LOCK NUT (PL)	3
3	84050	3/4" FLAT WASHER (PL)	3
4	84336	3/4" X 4" HEX BOLT (PL)	3
5	907220	3/16"W X 2" X 2" X 21" UPR HTCHTUBE - CAT 1 & 2	1
6	907250	HTCHTUBE 3/16" X 2 1/2" X 2 1/2" X 20 5/8"	2
7	907315	HITCH PIN .88 X 4.25" SB CAT 1 & 2	2
8	820196	BUSHING - 1.125"OD X 0.907ID X 2.375"	2
9	907674	7/8" LOCK NUT	2
10	965807	CAT. 1 TOP LINK PIN	1
11	965808	TOP LINK PIN BUSHING CAT 1 & 2	2
12	811826	7/8" X 5" HEX BOLT	2
13	965911	7/16" LINCH PIN	1
14	815256	84" CAT I/II HITCH - RHS	1
15	815255	84" CAT I/II HITCH - LHS	1

## Hydraulic Spout Rotator



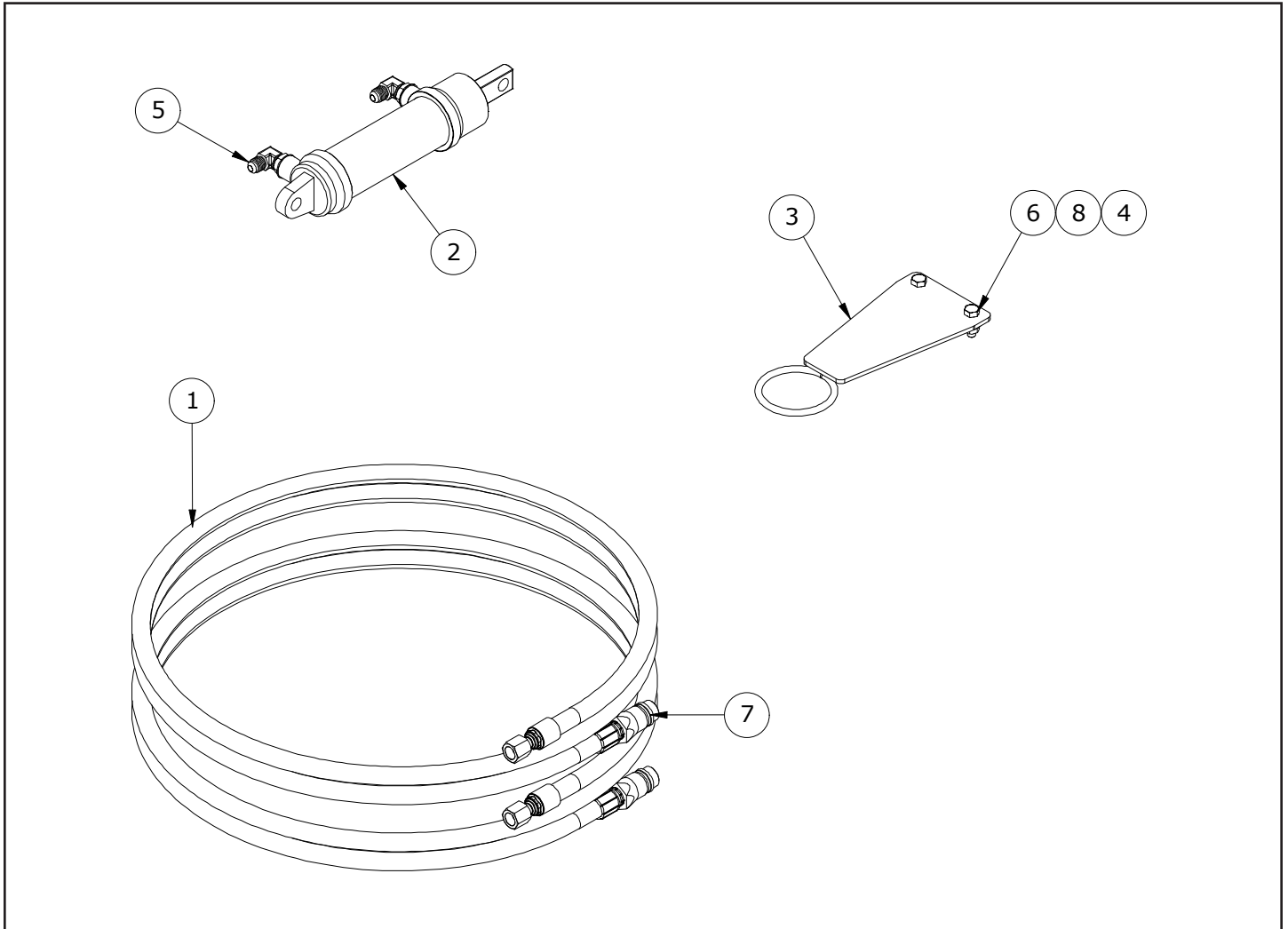
ITEM	PART NUMBER	DESCRIPTION	QTY.
1	816682	PTO MODELS HYD SPOUT ROTATION HOSE	2
2	816840	GEAR GUARD WELDT	1
3	817014	PINION GEAR 14TEETH	1
4	818903	ASSEMBLY - MOTOR & MANIFOLD	1
5	86170	3/8" X 1" HEX BOLT GR.5 (PL)	4
6	812026	5/16" X 1" HEX BOLT (PL)	2
7	812362	5/16" LOCK NUT (PL)	2
8	812623	WASHER - 5/16" SAE FLAT (PL)	2
9	813748	WASHER, FENDER, 1 1/2"OD X 5/16"ID (PL)	1
10	81525	1/4" X 3/4" HEX BOLT (PL)	1
11	81593	3/8" LOCK WASHER (PL)	4

# Hand Crank Spout Rotator



ITEM	PART NUMBER	DESCRIPTION	QTY.
1	81344	LOCK NUT (NYLON) 0.375 NC	9
2	815250	P-CLAMP FOR 3/4 OD, .406 HOLE	2
3	81531	BOLT HEX 0.25NC X 2.00 GR5 PL	1
4	81570	3/8" STD FLAT WASH (PL)	17
5	816893	HORIZONTAL BRACE	1
6	816894	VERTICAL BRACE	1
7	816895	CRANK BRACKET	1
8	816896	CRANK HANDLE 12GA X 1"0	1
9	816897	GEAR WELDMENT	1
10	816993	HAND CRANK - SIDE BRACE	1
11	81922	LOCK NUT (NYLON) 0.25 NC	1
12	84522	1" ID SAE FLAT WASHER (PL)	1
13	86171	3/8" X 1 1/4" HEX BOLT (PL)	9
14	9812425	1/4" X 1 1/4" SPRING PIN	1

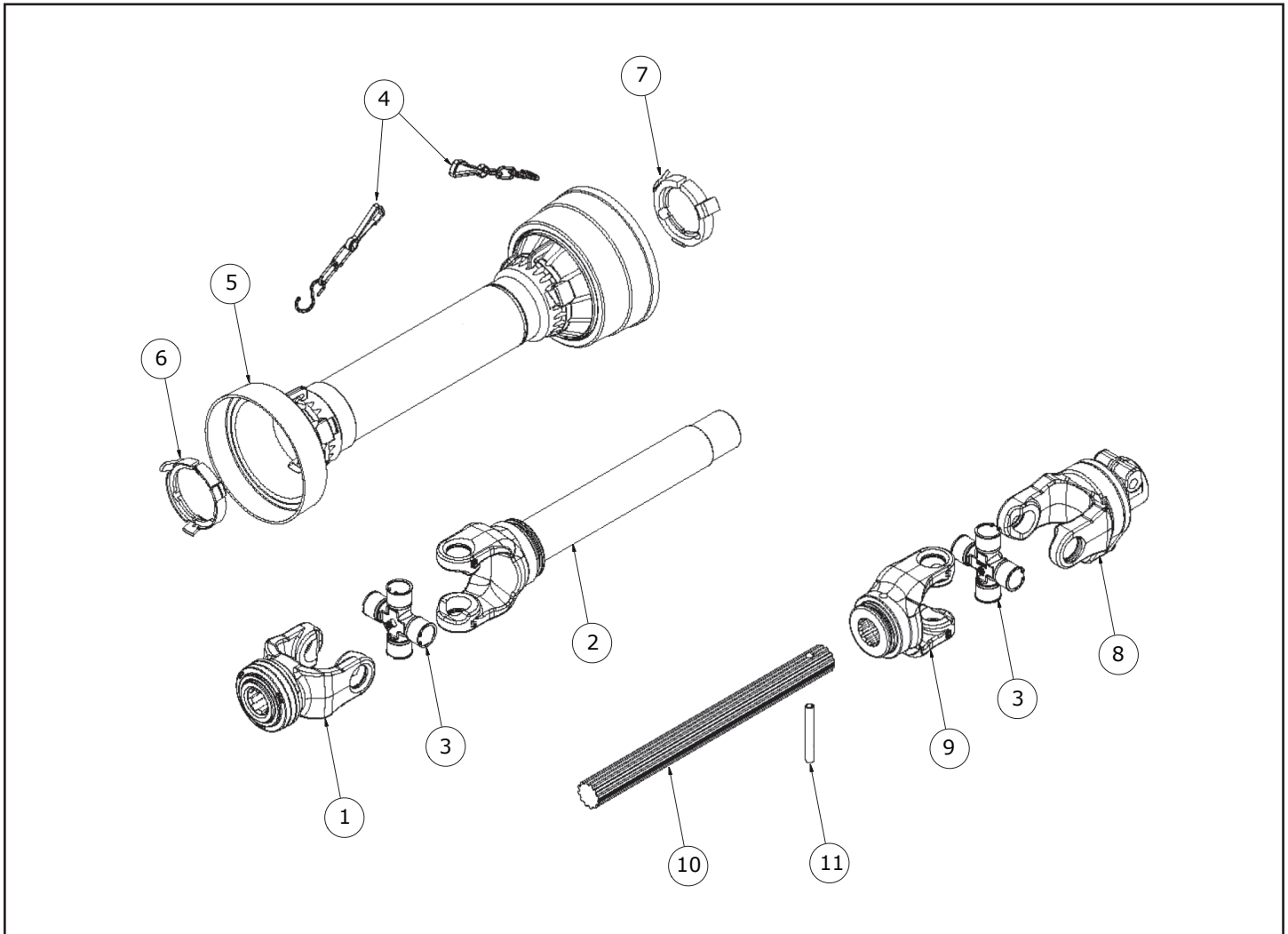
## Hydraulic Spout Deflector Cylinder & Hose Kit



ITEM	PART NUMBER	DESCRIPTION	QTY.
1	116983	HOSE ASSEMBLY 3/8 X 120	2
2	24930M	CYL 1.75" DIA X 5.00	1
	X3913	SEAL KIT	1
3	907590	SPT HOSE HLDR WELDT	1
4	812623	WASHER - 5/16" SAE FLAT (PL)	2
5	811918	ELBOW 90 9/16 SWMORB X 9/16 MJIC	2
6	812026	5/16" X 1" HEX BOLT (PL)	2
7	812208	NIPPLE 1/2" BODY 1/2"-14 NPTF QUICK CONNECT	2
8	812362	5/16" LOCK NUT (PL)	2

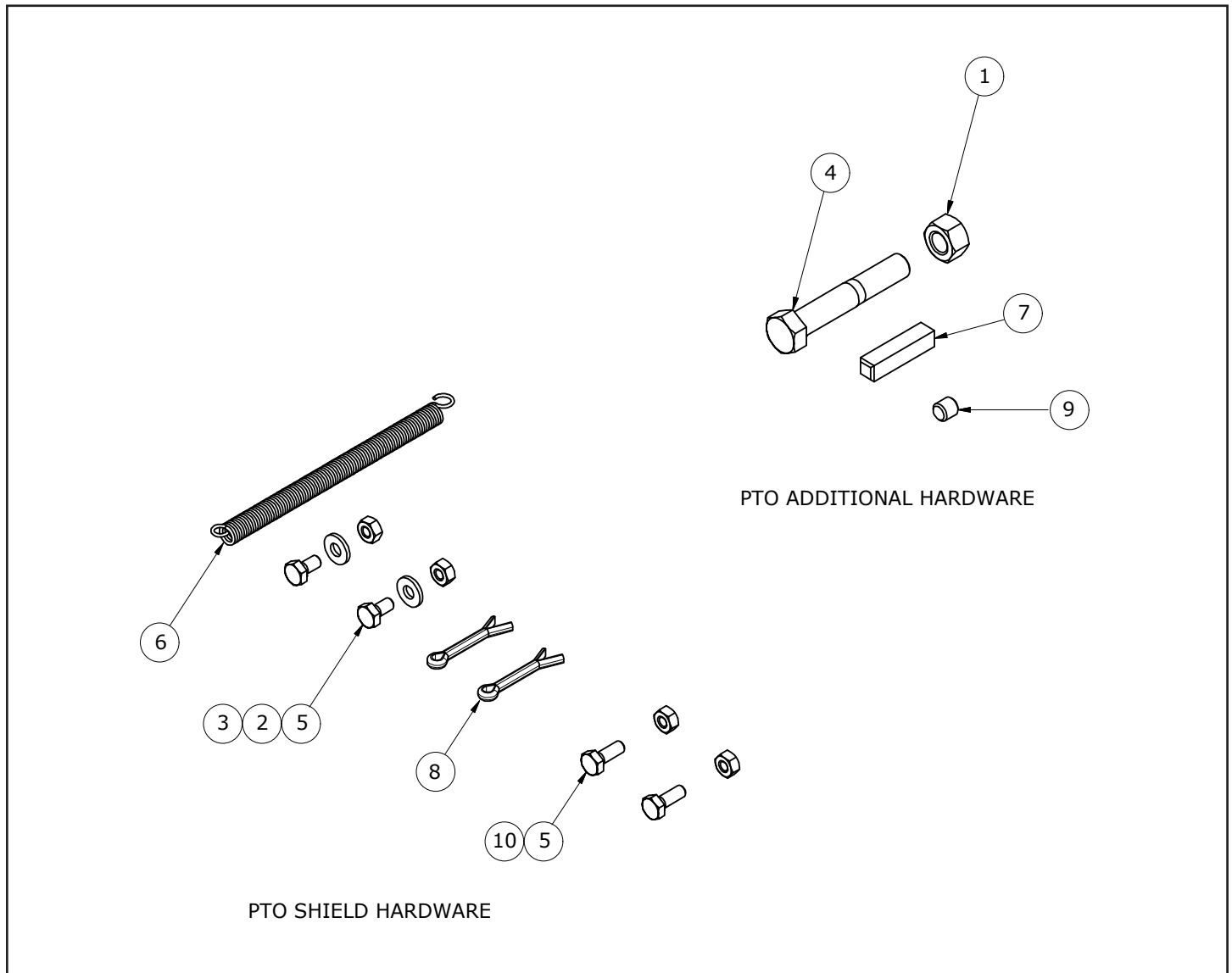


**PTO Shaft**



ITEM	PART NUMBER	DESCRIPTION
1	817804	YOKE W/QL BALL TYPE
2	817805	YOKE W/TUBE & SLEEVE
3	925293	CROSS KIT W/ GREASE NIPPLE
4	817774	CHAIN
5	817807	SHAFT SHIELD
6	817808	RETAINER
7	817809	RETAINER
8	818270	SHEAR BOLT CLUTCH
9	925305	INBOUND YOKE - INNER TUBE
10	818268	SPLINED TUBE L=400
11	925360	ELASTIC PIN 10MM X 80MM
-	817811	SHEAR BOLT KIT
-	F1732	PTO SHAFT COMPLETE

## PTO Additional Components



ITEM	PART NUMBER	DESCRIPTION	QTY.
1	812364	1/2" LOCK NUT (PL)	1
2	812624	1/4" FLAT WASHER PL	2
3	81523	1/4" X 1/2" HEX BOLT (PL)	2
4	81627	1/2" X 3" HEX BOLT (PL)	1
5	84498	1/4" LOCK NUT (PL)	4
6	960135	PTO SHLD SPRG (#661)	1
7	965821	3/8" X 3/8" X 1 3/4" KEY	1
8	9812434	1/4" X 1 1/2" COTTER PIN	2
9	988999	3/8" X 3/8" SOCKET SET SCREW (BR)	1
10	812216	1/4" X 1" HEX BOLT GR 2 (PL)	2

## Specifications And Shipping Kit Numbers

Specifications.....	69
Farm King Shipping Kit And Bundle Numbers.....	69
Allied Shipping Kit And Bundle Numbers.....	70
Hardware Torque Values.....	71
Metric Chart.....	71
Imperial Chart.....	72

# Farm King



## Specifications

MODEL	74"	84"	84" G
Cutting Width	74"	84"	84"
Cutting Height	25"	25"	25"
Fan	4-blade	4-blade	4-blade
Fan Diameter	23"	23"	23"
Drive Fan	540 rpm	540 rpm	540 rpm
Gearbox	Open Style	Open Style	Oil Bath Style
Auger Diameter	15"	15"	15"
Auger Paddles	16	18	18
Auger Drive	#50 Chain	#50 Chain	#50 Chain
Hydraulic Spout Rotator	OPT.	OPT.	OPT.
Hydraulic Spout Deflector	OPT.	OPT.	OPT.
Skid Shoes	STD. Adjust.	STD. Adjust.	STD. Adjust.
Hitch Category	CAT. I	CAT. I / II	CAT. I / II
Hitch Adjustment	2 Position	2 Position	2 Position
Tractor Engine Requirements	40 - 70 HP	60 - 90 HP	60 - 90 HP
Weight	756 lb.	848 lb.	878 lb.

**Note:** Dimensions are approximate measurements.

## Farm King Shipping Kit And Bundle Numbers

The following is a list of Kit Numbers for this product and the Bundle Numbers, Descriptions, and Quantities for each Kit.

Qty.	Bundle	Description
Y740-4 74" Farm King Snowblower, 4-Blade Fan, Open Gearbox, Std. Auger		
1	F1663	Body Assembly
1	X4007	Shipping Crate
Y840-4 84" Farm King Snowblower, 4-Blade Fan, Open Gearbox, Std. Auger		
1	F1664	Body Assembly
1	X4007	Shipping Crate
Y840G-4 84" Farm King Snowblower, 4-Blade Fan, Oil Bath Gearbox, Std. Auger		
1	F1665	Body Assembly
1	X4007	Shipping Crate
PR740-4 74" Farm King Snowblower, 4-Blade Fan, Open Gearbox, Paddle Auger		
1	F1705	Body Assembly
1	X4007	Shipping Crate
PR840-4 84" Farm King Snowblower, 4-Blade Fan, Open Gearbox, Paddle Auger		
1	F1706	Body Assembly
1	X4007	Shipping Crate
PR840G-4 84" Farm King Snowblower, 4-Blade Fan, Oil Bath Gearbox, Paddle Auger		
1	F1707	Body Assembly
1	X4007	Shipping Crate
Optional Equipment		
1	F9117	Hyd. Spout Deflector Kit
1	F1545	Hyd. Spout Rotator Kit
1	F1658	50/60/66/74/84 Hand Crank Kit

## Allied Shipping Kit And Bundle Numbers

The following is a list of Kit Numbers for this product and the Bundle Numbers, Descriptions, and Quantities for each Kit.

Qty.	Bundle	Description
YC7420-4 74" Allied Snowblower, 4-Blade Fan, Open Gearbox, Std. Auger		
1	F1663A	Body Assembly
1	X4007	Shipping Crate
YC8420-4 84" Allied Snowblower, 4-Blade Fan, Open Gearbox, Std. Auger		
1	F1664A	Body Assembly
1	X4007	Shipping Crate
YC8420G-4 84" Allied Snowblower, 4-Blade Fan, Oil Bath Gearbox, Std. Auger		
1	F1665A	Body Assembly
1	X4007	Shipping Crate
PR7420-4 74" Allied Snowblower, 4-Blade Fan, Open Gearbox, Paddle Auger		
1	F1705A	Body Assembly
1	X4007	Shipping Crate
PR8420-4 84" Allied Snowblower, 4-Blade Fan, Open Gearbox, Paddle Auger		
1	F1706A	Body Assembly
1	X4007	Shipping Crate
PR8420G-4 84" Allied Snowblower, 4-Blade Fan, Oil Bath Gearbox, Paddle Auger		
1	F1707A	Body Assembly
1	X4007	Shipping Crate
Optional Equipment		
1	F9117	Hyd. Spout Deflector Kit
1	F1545	Hyd. Spout Rotator Kit
1	F1658	50/60/66/74/84 Hand Crank Kit

# Hardware Torque Values

## Metric Chart

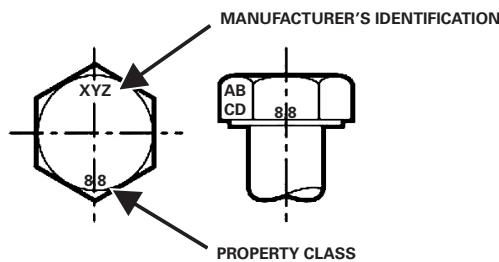
**NOTE: Do not use the values listed in the charts if a different torque value or tightening procedure is specified in this manual for a specific application. Torque values listed are for general use only.**

Use the following charts to determine the correct torque when checking, adjusting or replacing hardware. **Torque values are listed in newton-meters (inch\* or foot pounds) for normal assembly applications.**

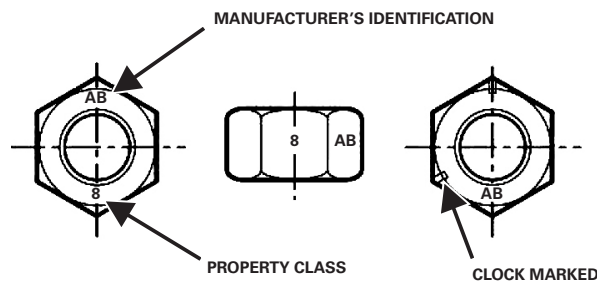
Nominal Size	Class 5.8		Class 8.8		Class 10.9		Lock nuts
	Unplated	Plated W / ZnCr	Unplated	Plated W / ZnCr	Unplated	Plated W / ZnCr	CL.8 W/ CL. 8.8 Bolt
M4	1.7 (15*)	2.2 (19*)	2.6 (23*)	3.4 (30*)	3.7 (33*)	4.8 (42*)	1.8 (16*)
M6	5.8 (51*)	7.6 (67*)	8.9 (79*)	12 (102*)	13 (115*)	17 (150*)	6.3 (56*)
M8	14 (124*)	18 (159*)	22 (195*)	28 (248*)	31 (274*)	40 (354*)	15 (133*)
M10	28 (21)	36 (27)	43 (32)	56 (41)	61 (45)	79 (58)	30 (22)
M12	49 (36)	63 (46)	75 (55)	97 (72)	107 (79)	138 (102)	53 (39)
M16	121 (89)	158 (117)	186 (137)	240 (177)	266 (196)	344 (254)	131 (97)
M20	237 (175)	307 (226)	375 (277)	485 (358)	519 (383)	671 (495)	265 (195)
M24	411 (303)	531 (392)	648 (478)	839 (619)	897 (662)	1160 (855)	458 (338)

**NOTE: Torque values shown with \* are inch pounds.**

## Identification of Hex Cap Screws and Carriage Bolts - Classes 5 and up



## Identification of Hex Nuts and Lock Nuts - Classes 5 and up





## Hardware Torque Values (Cont'd)

### Imperial Chart

**NOTE: Do not use the values listed in the charts if a different torque value or tightening procedure is specified in this manual for a specific application. Torque values listed are for general use only.**

Use the following charts to determine the correct torque when checking, adjusting or replacing hardware. Torque values are listed in newton-meters (inch\* or foot pounds) for normal assembly applications.

Nominal Size	SAE Grade 5		SAE Grade 8		LOCK NUTS			
	Unplated or Plated Silver	Plated W / ZnCr Gold"	Unplated or Plated Silver	Plated W / ZnCr Gold"	Unplated or Plated Silver	Plated W / ZnCr Gold"	Grade W / Gr. 5 Bolt	Grade W / Gr. 8 Bolt
1/4	6.2 (55*)	8.1 (72*)	9.7 (86*)	12.6 (112*)	13.6 (121*)	17.7 (157*)	6.9 (61*)	9.8 (86*)
5/16	13 (115*)	17 (149*)	20 (178*)	26 (229*)	28 (250*)	37 (324*)	14 (125*)	20 (176*)
3/8	23 (17)	30 (22)	35 (26)	46 (34)	50 (37)	65 (48)	26 (19)	35 (26)
7/16	37 (27)	47 (35)	57 (42)	73 (54)	80 (59)	104 (77)	41 (30)	57 (42)
1/2	57 (42)	73 (54)	87 (64)	113 (83)	123 (91)	159 (117)	61 (45)	88 (64)
9/16	81 (60)	104 (77)	125 (92)	163 (120)	176 (130)	229 (169)	88 (65)	125 (92)
5/8	112 (83)	145 (107)	174 (128)	224 (165)	244 (180)	316 (233)	122 (90)	172 (127)
3/4	198 (146)	256 (189)	306 (226)	397 (293)	432 (319)	560 (413)	217 (160)	306 (226)
7/8	193 (142)	248 (183)	495 (365)	641 (473)	698 (515)	904 (667)	350 (258)	494 (364)
1	289 (213)	373 (275)	742 (547)	960 (708)	1048 (773)	1356 (1000)	523 (386)	739 (545)

**NOTE: Torque values shown with \* are inch pounds.**

### Identification of Hex Cap Screws and Carriage Bolts



GRADE 2  
SAE BOLT



GRADE 5  
SAE BOLTS



GRADE 8  
SAE BOLTS



GRADE 2  
SAE NUTS

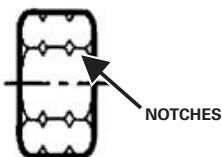


GRADE 5  
SAE NUTS



GRADE 8  
SAE NUTS

### Identification of Hex Nuts and Lock Nuts

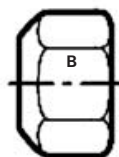


GRADE IDENTIFICATION

GRADE A: NO NOTCHES

GRADE B: ONE CIRCUMFERENTIAL NOTCH

GRADE C: TWO CIRCUMFERENTIAL NOTCHES

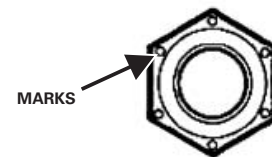


GRADE IDENTIFICATION

GRADE A: NO MARK

GRADE B: LETTER B

GRADE C: LETTER C



GRADE IDENTIFICATION

GRADE A: NO MARKS

GRADE B: THREE MARKS

GRADE C: SIX MARKS

MARKS NEED NOT BE LOCATED AT CORNERS

# Warranty

Farm King Base Limited Warranty.....	75
Repair Parts Limited Warranty.....	75
What Is Not Covered.....	75
Authorized Dealer And Labor Costs.....	75
Warranty Requirements.....	76
EXCLUSIVE EFFECT OF WARRANTY AND LIMITATION OF LIABILITY.....	76

# Farm King



## **Farm King Base Limited Warranty**

Farm King provides this warranty only to original retail purchasers of its products. Farm King warrants to such purchasers that all Farm King manufactured parts and components used and serviced as provided for in the Operator's Manual shall be free from defects in materials and workmanship for a period following delivery to the original retail purchaser of one (1) year. This limited warranty applies only to those parts and components manufactured by Farm King. Parts and components manufactured by others are subject to their manufacturer's warranties, if any.

Farm King will fulfill this limited warranty by, at its option, repairing or replacing any covered part that is defective or is the result of improper workmanship, provided that the part is returned to Farm King within thirty (30) days of the date that such defect or improper workmanship is, or should have been, discovered. Parts must be returned through the selling representative and the buyer must prepay transportation charges.

Farm King will not be responsible for repairs or replacements that are necessitated, in whole or part, by the use of parts not manufactured by or obtained from Farm King. Under no circumstances are component parts warranted against normal wear and tear. There is no warranty on product pump seals, product pump bearings, rubber product hoses, pressure gauges, or other components that require replacement as part of normal maintenance.

### **Repair Parts Limited Warranty**

Farm King warrants genuine Farm King replacement parts purchased after the expiration of the Farm King Limited Warranty, and used and serviced as provided for in the Operator's Manual, to be free from defects in materials or workmanship for a period of thirty (30) days from the invoice date for the parts. Farm King will fulfill this limited warranty by, at its option, repairing or replacing any covered part that is defective or is the result of improper workmanship, provided that the part is returned to Farm King within thirty (30) days of the date that such defect or improper workmanship is, or should have been, discovered. Such parts must be shipped to the Farm King factory at the purchaser's expense.

### **What Is Not Covered**

Under no circumstances does this limited warranty cover any components or parts that have been subject to the following: negligence; alteration or modification not approved by Farm King; misuse; improper storage; lack of reasonable and proper maintenance, service, or repair; normal wear; damage from failure to follow operating instructions; accident; and/or repairs that have been made with parts other than those manufactured, supplied, and or authorized by Farm King.

### **Authorized Dealer And Labor Costs**

Repairs eligible for labor under this limited warranty must be made by Farm King or an authorized Farm King dealer. Farm King retains the exclusive discretion to determine whether it will pay labor costs for warranty repairs or replacements, and the amount of such costs that it will pay and the time in which the repairs will be made. If Farm King determines that it will pay labor costs for warranty work, it will do so by issuing a credit to the dealer's or distributor's account. Farm King will not approve or pay invoices sent for repairs that Farm King has not previously approved. Warranty service does not extend the original term of this limited warranty.

## **Warranty Requirements**

To be covered by warranty, each new product must be registered with Farm King within thirty (30) days of delivery to original retail purchaser. If the customer decides to purchase replacement components before the warranty disposition of such components is determined, Farm King will bill the customer for such components and then credit the replacement invoice for those components later determined to be covered by this limited warranty. Any such replacement components that are determined not be covered by this limited warranty will be subject to the terms of the invoice and shall be paid for by the purchaser.

## **EXCLUSIVE EFFECT OF WARRANTY AND LIMITATION OF LIABILITY**

TO THE EXTENT PERMITTED BY LAW, FARM KING DISCLAIMS ANY WARRANTIES, REPRESENTATIONS, OR PROMISES, EXPRESS OR IMPLIED, AS TO THE QUALITY, PERFORMANCE, OR FREEDOM FROM DEFECT OF THE COMPONENTS AND PARTS COVERED BY THIS WARRANTY AND NOT SPECIFICALLY PROVIDED FOR HEREIN.

TO THE EXTENT PERMITTED BY LAW, FARM KING DISCLAIMS ANY IMPLIED WARRANTIES OF MERCHANTABILITY AND FITNESS FOR A PARTICULAR PURPOSE ON ITS PRODUCTS COVERED HEREIN, AND DISCLAIMS ANY RELIANCE BY THE PURCHASER ON FARM KING'S SKILL OR JUDGMENT TO SELECT OR FURNISH GOODS FOR ANY PARTICULAR PURPOSE. THE PURCHASER'S ONLY AND EXCLUSIVE REMEDIES IN CONNECTION WITH THE BREACH OR PERFORMANCE OF ANY WARRANTY ON FARM KING'S PRODUCTS ARE THOSE SET FORTH HEREIN. IN NO EVENT SHALL FARM KING BE LIABLE FOR INCIDENTAL OR CONSEQUENTIAL DAMAGES (INCLUDING, BY WAY OF EXAMPLE ONLY AND NOT LIMITATION, LOSS OF CROPS, LOSS OF PROFITS OR REVENUE, OTHER COMMERCIAL LOSSES, INCONVENIENCE, OR COST OF REPLACEMENT OF RENTAL EQUIPMENT). IN NO EVENT SHALL FARM KING'S CONTRACT OR WARRANTY LIABILITY EXCEED THE PURCHASE PRICE OF THE PRODUCT. (Note that some states do not allow limitations on how long an implied warranty lasts or the exclusion or limitation of incidental or consequential damages, so the above limitations and exclusion may not apply to you.) This warranty gives you specific legal rights and you may also have other rights, which vary from state to state.

Farm King neither assumes nor authorizes any person or entity, including its selling representatives, to assume any other obligations or liability in connections with the sale of covered equipment, or to make any other warranties, representations, or promises, express or implied, as to the quality, performance, or freedom from defect of the components and parts covered herein. No one is authorized to alter, modify, or enlarge this limited warranty, or its exclusions, limitations and reservations.

Corrections of defects and improper workmanship in the manner, and for the applicable time periods, provided for herein shall constitute fulfillment of all responsibilities of Farm King to the purchaser, and Farm King shall not be liable in negligence, contract, or on any other basis with respect to the subject equipment.

This limited warranty is subject to any existing conditions of supply which may directly affect Farm King's ability to obtain materials or manufacturer replacement parts.

Buhler Industries Inc. reserves the right to make improvements in design or changes in specifications to its products at anytime, without incurring any obligation to owners of units previously sold.



[www.farm-king.com](http://www.farm-king.com)

# Farm King

1330 43rd Street North  
Fargo, ND, 58102  
E-mail: [info@buhler.com](mailto:info@buhler.com)  
[www.farm-king.com](http://www.farm-king.com)

Equipment shown is subject to change without notice.  
©2019 Buhler Trading Inc. Printed in USATSX:BU1