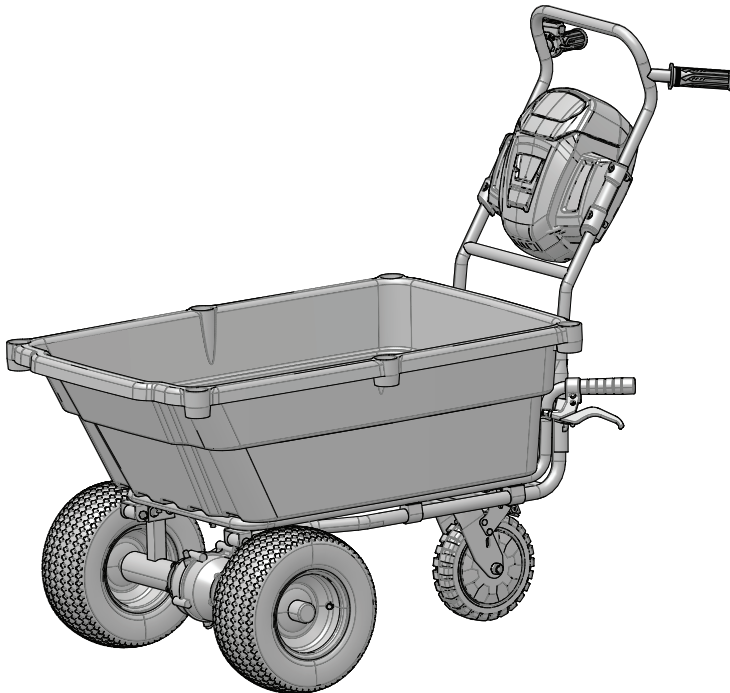




2528702/ 2528602

EN	GARDEN CART	OPERATOR MANUAL
FR	CHARIOT DE JARDIN	MANUEL D'OPÉRATEUR
ES	CARRETILLA DE JARDÍN	MANUAL DEL OPERADOR



ZTB432/ ZTB433

www.greenworkstools.com

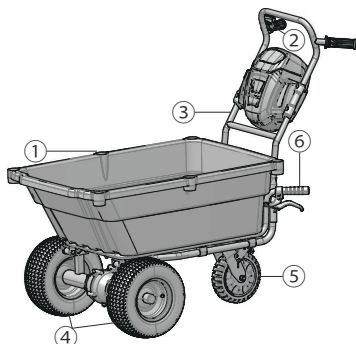
1	Description.....	4	4.1	Adjusting the speed.....	7
1.1	Purpose.....	4	4.2	Change the direction button.....	7
1.2	Overview.....	4	4.3	Start the machine.....	7
2	General power tool safety		4.4	Stop the machine.....	7
	warnings.....	4	4.5	Use the brake.....	8
2.1	General power tool safety warnings.....	4	4.6	Empty the bucket.....	8
2.2	Garden cart safety warnings.....	5	4.7	Reset the bucket.....	8
2.3	Move on slope.....	5	5	Maintenance.....	8
2.4	Child safety.....	5	5.1	Change the oil.....	8
2.5	Proposition 65.....	5	5.2	Examine the tire pressure.....	9
2.6	Symbols on the product.....	5	6	Transportation and storage.....	9
2.7	Risk levels.....	6	6.1	Store the machine.....	9
3	Installation.....	6	7	Troubleshooting.....	9
3.1	Unpack the machine.....	6	8	Technical data.....	9
3.2	Install the upper handle.....	6	9	Limited warranty.....	10
3.3	Install the battery pack.....	7	10	Exploded view.....	11
3.4	Remove the battery pack.....	7			
4	Operation.....	7			

1 DESCRIPTION

1.1 PURPOSE

This garden cart is a garden tool, intended for carrying soil, grass, etc. in domestic use.

1.2 OVERVIEW



- | | | | |
|---|--------------|---|---------------|
| 1 | Bucket | 4 | Front wheel |
| 2 | Throttle | 5 | Caster wheel |
| 3 | Upper handle | 6 | Bucket handle |

2 GENERAL POWER TOOL SAFETY WARNINGS

▲ WARNING

Read all safety warnings and all instructions. Failure to follow the warnings and instructions may result in electric shock, fire and/or serious injury.

Save all warnings and instructions for future reference.

The term "power tool" in the warnings refers to your battery-operated (cordless) power tool.

2.1 GENERAL POWER TOOL SAFETY WARNINGS

- Read, understand, and follow all instructions on your machine's label and in this guide. Be thoroughly familiar with the controls and the proper use of your garden cart before starting.
- Only allow responsible individuals who have a thorough understanding of these instructions to operate the machine.
- Wear shoes with non-slip treads. If you have safety shoes, wear them. Do not use the machine while barefoot or wearing sandals.
- Dress Properly - Do not wear loose clothing or jewelry. They can be caught in moving parts. Use of gloves and substantial footwear is recommended when working outdoors. Wear protective hair covering to contain long hair.
- Use Safety Glasses.
- Stay alert and watch what you are doing.
- Use extra care when approaching blind corners, shrubs, trees, or other objects that may obscure your vision.
- Watch for holes, ruts, or bumps. Be careful on uneven terrain to avoid overturning the machine. Tall grass can hide obstacles.
- Thoroughly inspect the area where the machine is to be used, and remove all stones, sticks, wire, pet supplies or lawn toys, and any other foreign objects that you could run over. Also note the location of holes, ruts, bumps, stumps, and other possible hazards.
- Keep handles and grasping surfaces dry, clean and free from oil and grease. Slippery handles and grasping surfaces do not allow for safe handling and control of the tool in unexpected situations.
- Be sure the area is clear of other people before moving. Do not allow children, bystanders, or pets in your work area when the machine is being moved.
- Use the machine only in daylight or in an area well lit by artificial light.
- Do not operate the machine if it does not start or stop normally.
- Always be sure of your footing.
- Do not overreach. Keep proper footing and balance at all times. This enables better control of the power tool in unexpected situations.
- Do not operate the machine when you are tired or under the influence of drugs or alcohol.
- Do not use the machine for any job other than those for which it is intended.
- Don't Force Appliance - It will do the job better and with less likelihood of a risk of injury at the rate for which it was designed.
- Use only manufacturer recommended replacement parts and accessories.
- Using components other than those supplied could cause overheating, fire, or explosion.
- Do not modify the machine in any way. Modifications void your warranty.
- Never make adjustments or repairs with the motor running.
- Do not use the machine if the switch does not turn it on and off.
- Use caution when operating in wet conditions.
- Do not let familiarity gained from frequent use of tools allow you to become complacent and ignore tool safety principles. A careless action can cause severe injury within a fraction of a second.
- Do not operate in explosive atmospheres such as in the presence of flammable liquids, gasses or flammable dust. If in doubt, wait for dust to settle before using.
- Keep all nuts and bolts tight, and keep the equipment in good condition.

- Check Damaged Parts - Before further use of the appliance, a guard or other part that is damaged should be carefully checked to determine that it will operate properly and perform its intended function. Check for alignment of moving parts, binding of moving parts, breakage of parts, mounting, and any other condition that may affect its operation. A guard or other part that is damaged should be properly repaired or replaced by an authorized service center unless indicated elsewhere in this manual.
- Servicing requires extreme care and knowledge and should be performed only by a qualified service technician. For service we suggest you return the product to your nearest AUTHORIZED SERVICE CENTER for repair. When servicing, use only identical replacement parts.

2.2 GARDEN CART SAFETY WARNINGS

- Do not put your hands or feet near or under the rotating wheels.
- Never operate the machine in the rain or in tall wet grass.
- Turn the garden cart slowly and gradually on slopes.
- Do not use on slopes over 16.7 degrees.
- Park on level surfaces for stability when loading or unloading.
- Do not pull the machine backwards while running in forward gear. This can damage the motor and ruin the gears.
- Prevent damage to the motor and gears – do not tow anything behind the machine or overload it.
- Evenly disperse the load in the machine bucket.
- Weight limit: 220 lbs. (100 kg) on level cement surfaces — overloading may cause injury and could permanently damage unit.
- Only load with as much weight as you can control when machine is moving.
- Never carry passengers.
- Do not move near drop-offs, ditches, or embankments. The machine could suddenly turnover.

2.3 MOVE ON SLOPE

- Slopes are a major factor related to slip-and-fall accidents, which can result in severe injury. All slopes require caution. If you feel uneasy on a slope, do not drive on it.
- Use caution on slopes. Whenever possible, move up and down the slope at an angle.
- Exercise caution when changing directions on slopes.
- When moving down slopes, always keep your machine in low gear. The friction of the motor helps you keep better control of your machine.
- Use caution when carrying heavy loads up slopes. If your machine is overloaded, the safety fuse may trip and allow

the machine to rollback toward you, which may cause severe injury.

- Do not turn on slopes unless necessary, and then, turn slowly and gradually.
- Remove obstacles such as rocks, tree limbs, or any other potential object that your machine could hit.
- Watch for holes, ruts, or bumps. Be careful on uneven terrain to avoid overturning your machine. Tall grass can hide obstacles.
- Do not park your machine on hills or steep slopes.

2.4 CHILD SAFETY

Tragic accidents can occur if the operator is not aware of the presence of children.

- Keep children out of the working area and under the watchful care of a responsible adult.
- Do not allow children under the age of 14 to operate this machine. Children who are 14 years of age and older must read and understand the operating instructions and safety rules in this manual and must be trained and supervised by a parent.
- Stay alert, and turn the machine off if a child or any other person enters the working area.
- Use extreme care when approaching blind corners, doorways, shrubs, trees, or other objects that may obscure your view of a child who may run into the path of the machine.

2.5 PROPOSITION 65

▲ WARNING

This product contains a chemical known to the state of California to cause cancer, birth defects or other reproductive harm. Some dust created by power sanding, sawing, grinding, drilling, and other construction activities contains chemicals known to cause cancer, birth defects or other reproductive harm. Some examples of these chemicals are:

- Lead from lead-based paints;
- Crystalline silica from bricks and cement and other masonry products;
- Arsenic and chromium from chemically treated lumber.







Your risk of exposure to these chemicals varies depending on how often you do this type of work. To reduce your exposure to these chemicals, work in a well-ventilated area, and work with approved safety equipment, such as dust masks that are specially designed to filter out microscopic particles.

Save these instructions.

2.6 SYMBOLS ON THE PRODUCT




Some of the following symbols may be used on this tool. Please study them and learn their meaning. Proper

interpretation of these symbols will allow you to operate the tool better and safer.

Symbol	Explanation
V	Voltage
A	Current
W	Power
min	Time
~	Alternating current-Type or characteristic of current.
— —	Direct current-Type or characteristic of current.
	Precautions that involve your safety.
	Read and understand all instructions before operating the product, and follow all warnings and safety instructions.
	Do not expose the product to rain or moist conditions.
	Wear eye protection.
	Thrown objects can ricochet and result in personal injury or property damage. Wear protective clothing and boots.
	Do not operate on inclines greater than 15°.

2.7 RISK LEVELS

The following signal words and meanings are intended to explain the levels of risk associated with this product.

SYM-BOL	SIGNAL	MEANING
	DANGER	Indicates an imminently hazardous situation, which, if not avoided, will result in death or serious injury.
	WARNING	Indicates a potentially hazardous situation, which, if not avoided, could result in death or serious injury.
	CAUTION	Indicates a potentially hazardous situation, which, if not avoided, may result in minor or moderate injury.

SYM-BOL	SIGNAL	MEANING
	CAUTION	(Without Safety Alert Symbol) Indicates a situation that may result in property damage.

3 INSTALLATION

3.1 UNPACK THE MACHINE

▲ WARNING

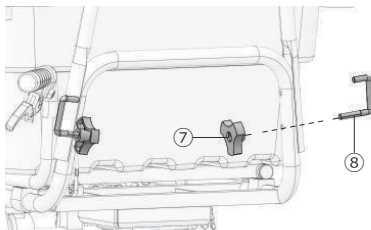
Make sure that you correctly assemble the machine before use.

▲ WARNING

- If the parts are damaged, do not use the machine.
- If you do not have all the parts, do not operate the machine.
- If the parts are damaged or missing, speak to the service center.

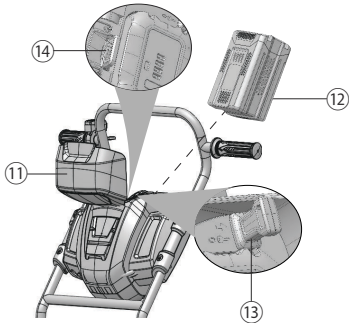
1. Open the package.
2. Read the documentation in the box.
3. Remove all the unassembled parts from the box.
4. Remove the machine from the box.
5. Discard the box and package in compliance with local regulations.

3.2 INSTALL THE UPPER HANDLE



1. Align the holes in the upper handle (3) and the lower handle.
2. Put the bolt (7) through the hole.
3. Tighten the knob (8) onto the bolt (7).
4. Do the same operation on the other side.

3.3 INSTALL THE BATTERY PACK



▲ WARNING

- If the battery pack or charger is damaged, replace the battery pack or the charger.
- Stop the machine and wait until the engine stops before you install or remove the battery pack.
- Read, know, and do the instructions in the battery and charger manual.

1. Open the battery door (11).
2. Align the lift ribs on the battery pack with the grooves in the battery compartment.
3. Push the battery pack (12) into the battery compartment until the battery pack locks into place.
4. When you hear a click, the battery pack is installed.
5. Install the battery key (13).
6. Close the battery door.

3.4 REMOVE THE BATTERY PACK

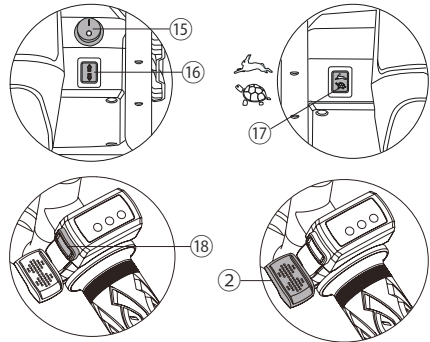
1. Open the battery door (11).
2. Remove the battery key (13).
3. Push and hold the battery release button (14).
4. Remove the battery pack (12) from the machine.

4 OPERATION

▲ WARNING

Hold the handle tightly when you move the machine.

4.1 ADJUSTING THE SPEED



i NOTE

The machine has a two-speed button.

1. Push the high speed icon (17) towards the rabbit to set to high speed.
2. Push the low speed icon (17) towards the turtle to set to low speed.

4.2 CHANGE THE DIRECTION BUTTON

i NOTE

The machine has a two-direction button.

1. Push the forward icon (16) to go forward .
2. Push the backward icon (16) to go backward.

▲ WARNING

Move backward for short distance.

4.3 START THE MACHINE

1. Set the power switch (15) to ON position.
2. Make sure the speed and direction are set to the desired setting.
3. Press the safety button (18).
4. Press the throttle (2) down to start the machine.

i IMPORTANT

You can press the throttle (2) again to restart the utility cart within 30 seconds after you release it.

4.4 STOP THE MACHINE

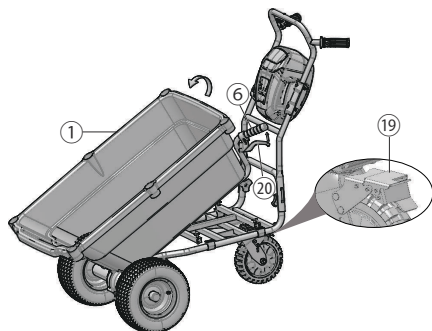
1. Release the throttle (2).
2. Set the power switch (15) to OFF position.

▲ WARNING

Do not let go of the handle until the machine does not move.

▲ WARNING

Put the machine on a level surface and apply the brake.

4.5 USE THE BRAKE**4.5.1 LOCK THE BRAKE**

1. Step on the brake.
2. Repeat on the opposite side.

4.5.2 UNLOCK THE BRAKE

1. Step on the brake again.
2. Repeat on the opposite side.

4.6 EMPTY THE BUCKET

1. Stop the machine.
2. Squeeze the bucket release lever (20) to release the bucket (1).
3. Hold the bucket handle (6) to lift the bucket (1).
4. Empty the bucket (1).

4.7 RESET THE BUCKET

1. Squeeze the bucket release lever (21) while pushing down on the bucket handle.
2. Push it down until it clicks into place.

5 MAINTENANCE**▲ WARNING**

Before maintenance, make sure that you

- stop the machine.
- wait until all the moving parts stop.
- remove the battery pack from the machine.

▲ WARNING

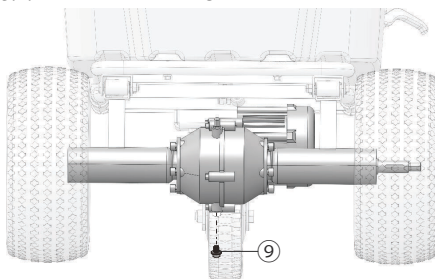
Do not use strong solvents or detergents on the plastic housing or components.

▲ WARNING

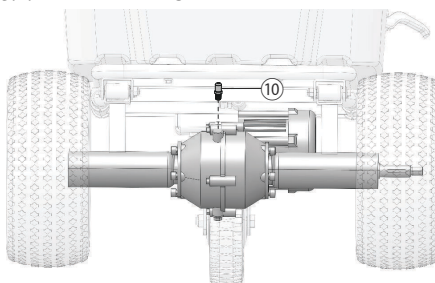
Do not let brake fluids, gasoline, petroleum-based materials touch the plastic parts. Chemicals can cause damage to the plastic, and make the plastic unserviceable.

5.1 CHANGE THE OIL**▲ CAUTION**

Change the oil each six months in the first year. Change the oil each year in the remaining years.

5.1.1 EMPTY THE OIL

1. Remove the drain plug (9) with a wrench (12 mm) (not included).
2. Drain the oil.
3. Install and tighten the drain plug (9).

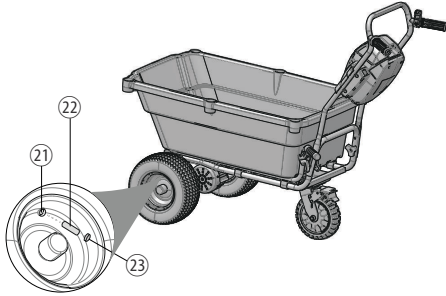
5.1.2 ADD THE OIL

1. Remove the oil plug (10) with a 10.5 mm wrench (not included).
2. Add the oil into the oil hole.
3. Install and tighten the oil plug (10).

i IMPORTANT

The oil capacity is approximately 5 oz. (150ml).

5.2 EXAMINE THE TIRE PRESSURE



▲ WARNING

Keep the tire pressure between 28 and 30 psi.

5.2.1 ADD THE AIR

1. Remove the air cap (23).
2. Push the air hose (not provided) onto the valve stem (21).

▲ WARNING

Do not inflate the tires too much to prevent the tire from explosion.

5.2.2 REMOVE THE AIR

1. Push the air pin (22) in the center of the valve stem (21).

6 TRANSPORTATION AND STORAGE

▲ WARNING

Remove the battery pack from the machine before transportation and storage.

6.1 STORE THE MACHINE

▲ WARNING

Make sure that the electrical parts are dry.

▲ WARNING

Make sure that children cannot come near the machine.

- Make sure the battery is removed.
- Clean housing and the plastic components with a moist and soft cloth.
- Make sure that the machine does not have loose or damaged parts. If it is necessary, do these steps/ instructions:
 - replace the damaged parts.
 - tighten the bolts.
 - speak to an authorized service center.

- Store the machine in the environment where the temperature is between -10°F (-23°C) and $+85^{\circ}\text{F}$ ($+23^{\circ}\text{C}$).

7 TROUBLESHOOTING

PROBLEM	POSSIBLE CAUSE	SOLUTION
The motor does not start.	Battery pack is not installed tightly.	Make sure that you tightly installed the battery pack in the machine.
	Battery pack is out of power.	Charge the battery pack.
	The wire is loose.	Make sure that you tightly attach the connectors.
	The controller is damaged.	Replace the defective controller by an approved service centre.
	The machine runs sluggishly.	The battery power is low.
The battery is old.		Replace with a new battery.
The surface is not stable.		Try to move the machine on a level surface.
The machine does not run occasionally.	The electrical switches are damaged.	Speak to a person of an approved service center.
	The electrical switches are corroded.	Speak to a person of an approved service center.
The gearbox makes noise.	The gear is damaged.	Speak to a person of an approved service center.

8 TECHNICAL DATA

Normal voltage	80 V
Rating power	300 W
Loading capacity	220 lbs. (100kg)
Inflation pressure	30 PSI Maximum
Weight (without battery)	40 kg (± 2 kg)
Capacity (Volume)	106 L/ 3.74 CUFT
Length	51.8" (131.5 cm)
Width	26.4" (67 cm)

Height	43.3" (110 cm)
Speed	High: 4.2 km/h/ 2.6 mph
	Low: 3 km/h/ 1.86 mph
	Reverse: 2.4 km/h/ 1.49 mph
Front Tire	12x5.00-6" Pneumatic wheel
Rear Tire	8" Solid caster wheel
Oil type	Automatic Transmission Fluid
Oil capacity	150 ml

TRANSPORTATION CHARGES:

Transportation charges for the movement of any power equipment unit or attachment are the responsibility of the purchaser. It is the purchaser's responsibility to pay transportation charges for any part submitted for replacement under this warranty unless such return is requested in writing by Greenworks.

USA address:

Greenworks Tools
P.O. Box 1238
Mooresville, NC 28115

Canadian address:

Greenworks Tools Canada Inc.
1110 Stellar Drive Unit 102
Newmarket, ON, L3Y 7B7

9 LIMITED WARRANTY

Greenworks hereby warrants this product, to the original purchaser with proof of purchase, for a period of four (4) years against defects in materials, parts or workmanship. Greenworks, at its own discretion will repair or replace any and all parts found to be defective, through normal use, free of charge to the customer. This warranty is valid only for units which have been used for personal use that have not been hired or rented for industrial/commercial use, and that have been maintained in accordance with the instructions in the owners' manual supplied with the product from new.

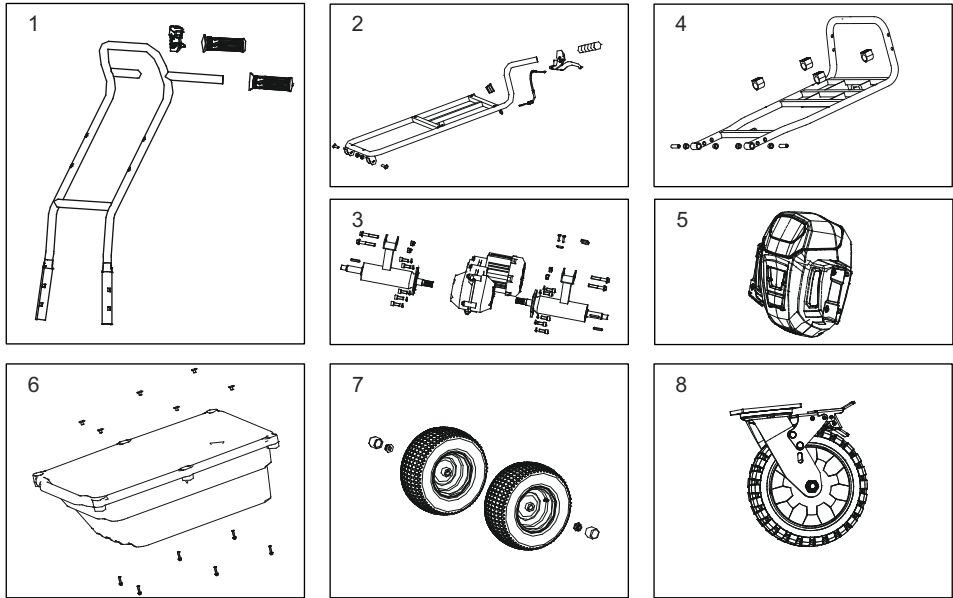
ITEMS NOT COVERED BY WARRANTY:

1. Any part that has become inoperative due to misuse, commercial use, abuse, neglect, accident, improper maintenance, or alteration; or
2. The unit, if it has not been operated and/or maintained in accordance with the owner's manual; or
3. Normal wear, except as noted below;
4. Routine maintenance items such as lubricants, blade sharpening;
5. Normal deterioration of the exterior finish due to use or exposure.

HELPLINE:

Warranty service is available by calling our toll-free helpline, at 1-855-470-4267.

10 EXPLODED VIEW



No.	Part No.	Description	Qty
1	RA31114696	Upper handle assembly	1
2	R0201220-00	Brake assembly	1
3	RA31105696	Motor assembly	1
4	R0201221-00	Frame assembly	1
5	R0201222-00	Panel assembly	1
6	R0201224-00	Bucket assembly	1
7	RA31107696	Front wheel assembly	1
8	RA31106696	Back caster wheel assembly	1

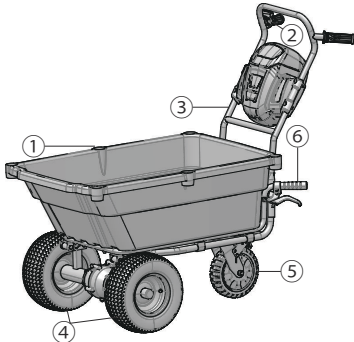
<p>1 Description..... 13</p> <p>1.1 But..... 13</p> <p>1.2 Aperçu..... 13</p> <p>2 Avertissements généraux de sécurité des outils électriques..... 13</p> <p>2.1 Avertissements généraux de sécurité des outils électriques..... 13</p> <p>2.2 Avertissements de sécurité du chariot de jardin..... 14</p> <p>2.3 Se déplacer sur une pente..... 14</p> <p>2.4 Sécurité des enfants..... 14</p> <p>2.5 Proposition 65..... 15</p> <p>2.6 Symboles figurant sur la machine..... 15</p> <p>2.7 Niveaux de risques..... 15</p> <p>3 Installation..... 15</p> <p>3.1 Déballez la machine..... 15</p> <p>3.2 Installez la poignée supérieure..... 16</p> <p>3.3 Installez le bloc-batterie..... 16</p> <p>3.4 Retirez le bloc-batterie..... 16</p>	<p>4 Utilisation..... 16</p> <p>4.1 Ajustez la vitesse..... 16</p> <p>4.2 Changez le bouton directionnel..... 17</p> <p>4.3 Démarrez la machine..... 17</p> <p>4.4 Arrêtez la machine..... 17</p> <p>4.5 Utilisez le frein..... 17</p> <p>4.6 Videz leseau..... 17</p> <p>4.7 Réinitialisez leseau..... 17</p> <p>5 Entretien..... 17</p> <p>5.1 Changez l'huile..... 18</p> <p>5.2 Vérifiez la pression des pneus..... 18</p> <p>6 Transport et entreposage..... 18</p> <p>6.1 Entreposez la machine..... 18</p> <p>7 Dépannage..... 19</p> <p>8 Technical data..... 19</p> <p>9 Garantie limitée..... 19</p> <p>10 Vue éclatées..... 20</p>
--	--

1 DESCRIPTION

1.1 BUT

Ce chariot de jardin est un outil qui permet de transporter de la terre, de l'herbe, etc. pour un usage domestique.

1.2 APERÇU



- | | |
|-------------------------------|-------------------|
| 1 Seau | 4 Roue avant |
| 2 Accélérateur | 5 Roue pivotante |
| 3 Partie supérieure du guidon | 6 Poignée du seau |

2 AVERTISSEMENTS GÉNÉRAUX DE SÉCURITÉ DES OUTILS ÉLECTRIQUES

▲ AVERTISSEMENT

Lisez tous les avertissements de sécurité et toutes les instructions. Le non-respect de ces avertissements et de ces instructions peut entraîner un choc électrique, un incendie et/ou des blessures graves.

Conservez tous les avertissements et instructions pour référence ultérieure.

Le terme « outil électrique » dans les avertissements fait référence à votre outil électrique (sans fil) fonctionnant sur batterie.

2.1 AVERTISSEMENTS GÉNÉRAUX DE SÉCURITÉ DES OUTILS ÉLECTRIQUES

- Portez des chaussures à semelles antidérapantes. Si vous possédez des chaussures de sécurité, portez-les. Ne pas utiliser l'outil électrique pieds nus ou avec des sandales.
- Habillez-vous correctement – Ne portez pas de vêtements amples ou de bijoux. Ils pourraient se coincer dans les pièces en mouvement. Le port de gants et de chaussures adaptées est recommandé pour travailler à l'extérieur. Portez un couvre-chef protecteur pour contenir les cheveux longs.
- Utilisez des lunettes de sécurité.
- Soyez vigilant et faites attention à ce que vous faites.
- Soyez extrêmement prudent lorsque vous approchez un angle mort, des arbustes, des arbres ou tout autre objet qui pourrait obscurcir votre vision.
- Faites attention aux trous, aux ornières ou aux bosses. Soyez vigilant sur un terrain inégal pour éviter de faire basculer la machine. Les herbes hautes peuvent masquer des obstacles.
- Inspectez soigneusement la zone où vous allez utiliser la machine et retirez toutes les pierres, les bâtons, les câbles, les jouets d'animaux ou de jardin et tout autre objet extérieur sur lequel vous pourriez passer. Faites aussi attention de localiser les trous, les ornières, les bosses, les souches et autres dangers possibles.
- Veillez à ce que les poignées restent propres, sèches et exemptes d'huile et de graisse. Les poignées et surfaces de prise glissantes ne permettent pas de manipuler et de contrôler l'outil dans des situations inattendues.
- Assurez-vous que personne ne circule dans cette zone avant de vous déplacer. Ne permettez pas aux enfants, aux passants ou aux animaux de circuler sur votre zone de travail lorsque vous commencez à déplacer la machine.
- Utilisez uniquement la machine de jour ou dans une zone très bien éclairée artificiellement.
- N'utilisez pas la machine si celle-ci ne démarre pas ou ne s'arrête pas normalement.
- Assurez toujours vos pas.
- Ne vous penchez pas trop en avant. Gardez un bon équilibre en tout temps. Ceci permet un meilleur contrôle de l'outil électrique dans des situations inattendues.
- N'utilisez pas cet appareil si vous êtes fatigué, malade ou sous l'influence de l'alcool, de drogues ou de médicaments.
- N'utilisez cet appareil que pour les travaux auxquels il est destiné.
- Ne forcez pas l'appareil - Il fera mieux le travail et avec moins de risque de blessure à la vitesse pour laquelle il a été conçu.
- Utilisez uniquement les pièces de rechange et les accessoires recommandés par le fabricant.
- L'utilisation de pièces autres que celles fournies peut provoquer une surchauffe, un incendie ou une explosion.
- Ne modifiez l'appareil en aucune façon. Les modifications annulent votre garantie.
- N'effectuez jamais de réglages ou de réparations quand le moteur est en marche.

- N'utilisez pas l'outil si l'interrupteur ne le met pas en marche ou à l'arrêt.
- Faites attention lorsque vous travaillez dans des conditions humides.
- Ne laissez pas l'habitude des fréquentes utilisations vous faire oublier et ignorer les principes de sécurité. Une action négligente peut provoquer de graves blessures en une fraction de seconde.
- N'utilisez pas les outils électriques dans des environnements explosifs, par exemple en présence de liquides, gaz ou poussières inflammables. En cas de doute, attendez que la poussière retombe.
- Conservez tous les écrous et les boulons serrés et maintenez l'appareil dans de bonnes conditions.
- Vérifiez les pièces endommagées – Avant de continuer à utiliser la machine, il convient de vérifier soigneusement une garde protectrice ou toute autre pièce endommagée pour s'assurer qu'il fonctionnera correctement comme prévu. Vérifiez l'alignement des pièces mobiles, la fixation des pièces mobiles, la cassure des pièces, les fixations endommagées et toute autre condition qui pourrait affecter leur fonctionnement. Une garde protectrice ou toute autre pièce endommagée doit être correctement réparée ou remplacée par un centre de service agréé, sauf en cas d'indication contraire dans ce manuel.
- L'entretien nécessite un soin extrême et une connaissance approfondie du système, et ne doit être effectué que par un technicien qualifié. Pour l'entretien, nous vous suggérons de retourner la machine à votre CENTRE DE SERVICE AUTORISÉ le plus proche pour réparation. N'utilisez que des pièces de rechange identiques lors de l'entretien.

2.2 AVERTISSEMENTS DE SÉCURITÉ DU CHARIOT DE JARDIN

- Ne placez pas les mains ou les pieds à proximité ou en dessous des roues en mouvement.
- N'utilisez jamais la machine sous la pluie ou sur de hautes herbes mouillées.
- Tournez le chariot de jardin lentement et progressivement sur les pentes.
- Ne prenez pas de pentes dépassant 16,7 degrés.
- Garez-vous sur des surfaces planes pour être stable lors du chargement et du déchargement.
- Ne tirez pas la machine vers l'arrière lorsque celle-ci fonctionne vers l'avant. Cela pourrait endommager le moteur et abîmer le mécanisme.
- Évitez d'endommager le moteur et le mécanisme - ne remorquez rien derrière la machine et ne la surchargez pas.
- Répartissez la charge dans le seau de la machine.
- Poids limite : 220 lb. (100 kg) sur des surfaces planes en ciment - une surcharge peut causer des dommages permanents sur l'appareil.
- Chargez uniquement le poids qui vous permet de contrôler la machine lorsque vous la déplacez.

- Ne transportez jamais de personnes sur la machine.
- Ne vous placez pas près d'un dénivellement, d'un fossé ou du rebord d'un talus. La machine pourrait soudainement basculer.

2.3 SE DÉPLACER SUR UNE PENTE

- Les pentes sont un facteur majeur lié aux accidents de glissade et de chute, qui peuvent entraîner des blessures graves. Toutes les pentes nécessitent une grande attention. Si vous vous sentez mal à l'aise sur une pente, n'utilisez pas la machine en pente.
- Faites attention dans les pentes. Quand c'est possible, montez et descendez la pente sur le côté.
- Faites très attention en changeant de direction sur une pente.
- Lors des déplacements en descentes, maintenez toujours la machine à basse vitesse. La friction du moteur vous aide à mieux contrôler votre machine.
- Faites attention lorsque vous remontez des pentes avec de lourdes charges. Si votre machine est trop chargée, le fusible de sécurité peut sauter et permettre que la machine se retourne vers vous, ce qui peut causer de graves blessures.
- Ne prenez pas les pentes sauf si nécessaire, et si c'est le cas, prenez-les doucement et graduellement.
- Retirez les obstacles tels que les pierres, les branches d'arbres, ou tout autre objet éventuel que votre machine pourrait heurter.
- Faites attention aux trous, aux ornières ou aux bosses. Soyez vigilant sur un terrain inégal pour éviter de faire basculer la machine. Les herbes hautes peuvent masquer des obstacles.
- Ne garez pas la machine sur des collines ou des pentes raides.

2.4 SÉCURITÉ DES ENFANTS

Des accidents tragiques peuvent se produire si l'opérateur n'est pas au courant de la présence des enfants.

- Éloignez les enfants de la zone de travail et placez-les sous la surveillance d'un adulte responsable.
- Ne laissez pas un enfant de moins de 14 ans utiliser cette machine. Les enfants de 14 ans et plus doivent lire et comprendre les instructions d'utilisation et les règles de sécurité contenues dans ce manuel et doivent être formés et supervisés par un parent.
- Restez vigilant et éteignez la machine si un enfant ou une autre personne entre dans la zone de travail.
- Soyez extrêmement prudent lorsque vous vous approchez d'un angle mort, d'une porte, d'un arbuste, d'un arbre ou de tout autre objet qui pourrait masquer la vue d'un enfant qui pourrait se heurter à la machine.

2.5 PROPOSITION 65

▲ AVERTISSEMENT

Ce produit contient un produit chimique connu dans l'état de Californie comme étant une cause de cancer, de malformations congénitales ou d'autres problèmes de reproduction. Certaines poussières produites par le ponçage mécanique, le sciage, le meulage, le perçage et d'autres activités de construction contiennent des produits chimiques connus pour causer le cancer, des malformations congénitales ou d'autres problèmes de reproduction. Voici quelques exemples de ces produits chimiques :






- Plomb provenant de peintures à base de plomb;
- Silice cristalline provenant de briques, de ciment et d'autres produits de maçonnerie;
- Arsenic et chrome provenant de bois traité chimiquement.




Votre risque d'exposition à ces produits chimiques varie selon la fréquence à laquelle vous faites ce type de travail. Pour réduire votre exposition à ces produits chimiques, travaillez dans un endroit bien ventilé et utilisez un équipement de sécurité approuvé, comme des masques anti-poussière spécialement conçus pour filtrer les particules microscopiques.

Conservez ces instructions

2.6 SYMBOLES FIGURANT SUR LA MACHINE




Certains des symboles suivants peuvent être utilisés sur cet outil. Veuillez les étudier et apprendre leur signification. Une bonne interprétation de ces symboles vous permettra de mieux utiliser l'outil et de manière plus sécuritaire.

Symbole	Explication
V	Voltage
A	Courant
W	Puissance
min	Heure
	Courant continu - Type ou caractéristique du courant.
	Courant continu - Type ou caractéristique du courant.
	Précautions destinées à assurer la sécurité.
	Lisez et comprenez toutes les instructions avant d'utiliser cette machine, et suivez tous les avertissements et les consignes de sécurité.
	Ne pas exposer la machine à la pluie ou à l'humidité.

Symbole	Explication
	Portez des lunettes de protection.
	Les objets projetés peuvent ricocher et causer des blessures corporelles ou des dommages matériels. Portez des vêtements et des bottes de protection.
	Ne pas utiliser sur des dénivelés supérieurs à 15°.

2.7 NIVEAUX DE RISQUES

Les termes de mise en garde suivants et leur signification ont pour but d'expliquer les niveaux de risques associés à l'utilisation de ce produit.

SYMBOLE	SIGNAL	SIGNIFICATION
	DANGER	Indique une situation dangereuse imminente qui, si elle n'est pas évitée, peut entraîner la mort ou des blessures graves.
	AVERTISSEMENT	Indique une situation potentiellement dangereuse qui, si elle n'est pas évitée, peut entraîner la mort ou des blessures graves.
	MISE EN GARDE	Indique une situation potentiellement dangereuse qui, si elle n'est pas évitée, pourrait causer des blessures mineures ou modérées.
	MISE EN GARDE	(Sans symbole d'alerte de sécurité) Indique une situation pouvant entraîner des dommages matériels.

3 INSTALLATION

3.1 DÉBALLEZ LA MACHINE

▲ AVERTISSEMENT

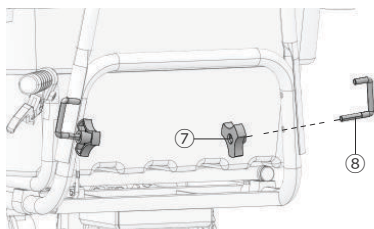
Assurez-vous d'assembler correctement la machine avant de l'utiliser.

▲ AVERTISSEMENT

- Si les pièces sont endommagées, n'utilisez pas la machine.
- Si vous n'avez pas toutes les pièces, n'utilisez pas la machine.
- Si les pièces sont endommagées ou manquantes, communiquez avec le centre de service.

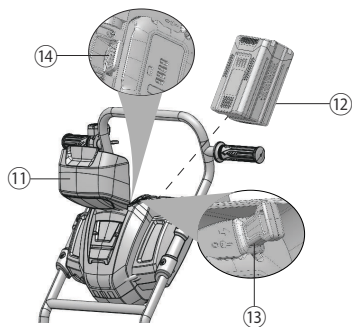
1. Ouvrez l'emballage.
2. Lisez la documentation contenue dans la boîte.
3. Retirez toutes les pièces non assemblées de la boîte.
4. Retirez la machine de sa boîte.
5. Jetez la boîte et l'emballage en respectant les règlements locaux.

3.2 INSTALLEZ LA POIGNÉE SUPÉRIEURE



1. Alignez les trous dans la poignée supérieure (3) et dans la poignée inférieure.
2. Introduisez le boulon (7) dans le trou.
3. Serrez les boutons (8) sur les boulons (7).
4. Faites la même opération sur l'autre côté.

3.3 INSTALLEZ LE BLOC-BATTERIE



▲ AVERTISSEMENT

- Si le bloc-batterie ou le chargeur est endommagé, remplacez-le, au besoin.
- Arrêtez la machine et attendez que le moteur s'arrête avant d'installer ou de retirer le bloc-batterie.
- Lisez, comprenez et suivez les instructions du manuel de la batterie et du chargeur.

1. Ouvrez la trappe de la batterie(11).
2. Alignez les languettes du bloc-batterie avec les rainures du compartiment à batterie.
3. Poussez le bloc-batterie (12) dans le compartiment jusqu'à ce qu'il soit bien encliqueté.
4. Vous devriez entendre un clic lorsque le bloc-batterie sera inséré correctement.
5. Installez le bloc-batterie (13).
6. Fermez la trappe de la batterie.

3.4 RETIREZ LE BLOC-BATTERIE

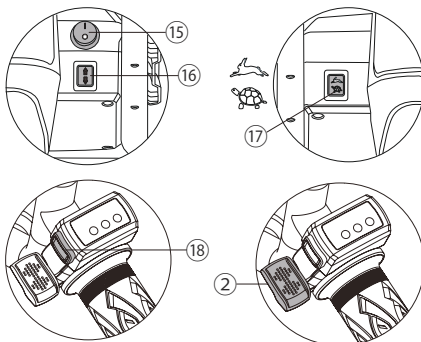
1. Ouvrez la trappe de la batterie(11).
2. Retirez la clé de la batterie (13).
3. Poussez et maintenez enfoncé le bouton de déblocage de la batterie(14).
4. Retirez le bloc-batterie (12) de la machine.

4 UTILISATION

▲ AVERTISSEMENT

Maintenez fermement le manche lorsque vous déplacez la machine.

4.1 AJUSTEZ LA VITESSE



i REMARQUE

La machine a un bouton de deux vitesses.

1. Appuyez sur l'icône haute vitesse (17) dans la direction du symbole Lièvre pour augmenter la vitesse.

- Appuyez sur l'icône basse (17) vitesse dans la direction du symbole Tortue pour réduire la vitesse.

4.2 CHANGEZ LE BOUTON DIRECTIONNEL

i REMARQUE

La machine a un bouton de deux vitesses.

- Appuyez sur l'icône en avant (16) pour avancer.
- Appuyez sur l'icône en arrière (16) pour reculer.

▲ AVERTISSEMENT

Faites marche arrière sur de courtes distances.

4.3 DÉMARREZ LA MACHINE

- Mettez l'interrupteur d'alimentation (15) sur la position « ON ».
- Assurez-vous que la vitesse et le sens de rotation sont réglés sur le réglage souhaité.
- Appuyez sur le bouton de sécurité (18).
- Appuyez l'accélérateur (2) vers le bas pour démarrer la machine.

i IMPORTANT

Vous pouvez de nouveau appuyer sur l'accélérateur (2) pour redémarrer le chariot utilitaire dans les 30 secondes après l'avoir relâché.

4.4 ARRÊTEZ LA MACHINE

- Relâchez l'accélérateur (2).
- Mettez l'interrupteur d'alimentation (15) sur la position « OFF ».

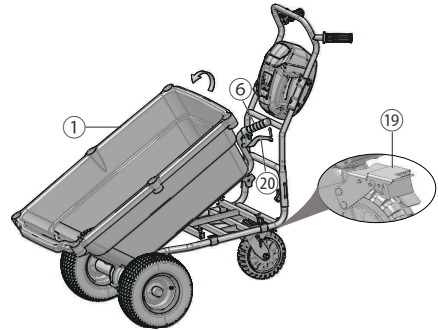
▲ AVERTISSEMENT

Ne lâchez pas le manche avant que la machine soit complètement arrêtée.

▲ AVERTISSEMENT

Placez la machine sur une surface plane et appuyez sur le frein.

4.5 UTILISEZ LE FREIN



4.5.1 VERROUILLEZ LE FREIN

- Appuyez sur le frein.
- Répétez sur le côté opposé.

4.5.2 DÉVERROUILLEZ LE FREIN

- Appuyez sur le frein.
- Répétez sur le côté opposé.

4.6 VIDEZ LE SEAU

- Arrêtez la machine.
- Serrez le levier de desserrage (20) du seau pour le retirer (1).
- Saisissez la poignée du seau (6) pour le soulever (1).
- Videz le seau (1).

4.7 RÉINITIALISEZ LE SEAU.

- Serrez le levier de desserrage du seau (21) tout en tirant la poignée du seau vers le bas.
- Poussez-le vers le bas jusqu'à ce qu'il s'enclenche en place.

5 ENTRETIEN

▲ AVERTISSEMENT

Avant d'effectuer l'entretien, assurez-vous que

- la machine est arrêtée.
- attendez que toutes les pièces se soient immobilisées.
- retirez le bloc-batterie de la machine.

▲ AVERTISSEMENT

N'utilisez pas de solvants ou de détergents puissants sur le boîtier ou les composants en plastique.

▲ AVERTISSEMENT

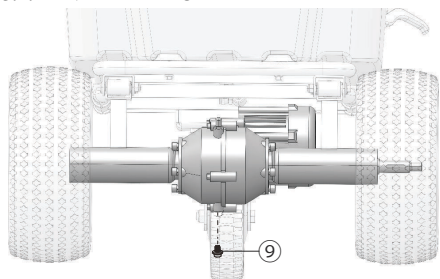
Évitez que les liquides de freins, l'essence et les matériaux à base de pétrole ne viennent en contact avec les pièces en plastique. Les produits chimiques peuvent endommager le plastique et le rendre inutilisable.

5.1 CHANGEZ L'HUILE

▲ ATTENTION

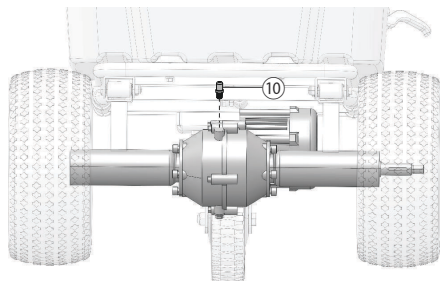
Changez l'huile tous les six mois la première année.
Changez l'huile une fois par an les années suivantes.

5.1.1 VIDEZ L'HUILE



1. Retirez le bouchon de vidange (9) avec une clé (12 mm) (non-fournie).
2. Vidangez l'huile.
3. Installez et serrez le bouchon de vidange (9).

5.1.2 AJOUTEZ L'HUILE

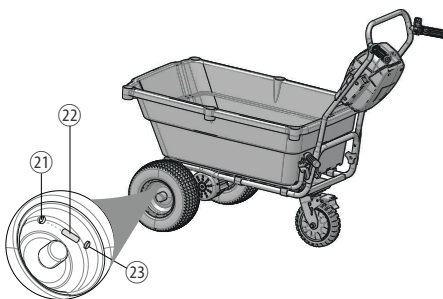


1. Retirez le bouchon du réservoir d'huile (10) avec une clé de 10,5 mm (non-fournie).
2. Versez de l'huile dans le réservoir d'huile.
3. Installez et serrez le bouchon du réservoir d'huile (10).

i IMPORTANT

La capacité en huile est d'environ 5 oz. (150 ml).

5.2 VÉRIFIEZ LA PRESSION DES PNEUS



▲ AVERTISSEMENT

Maintenez la pression des pneus entre 28 et 30 psi.

5.2.1 AJOUTEZ DE L'AIR

1. Retirez la valve d'air (23).
2. Enfoncez la pompe à air (non-fournie) dans la valve (21).

▲ AVERTISSEMENT

Ne gonflez pas trop les pneus afin d'éviter qu'ils explosent.

5.2.2 RETIREZ L'AIR

1. Poussez la tige de la valve (22) dans la tige de soupape (21).

6 TRANSPORT ET ENTREPOSAGE

▲ AVERTISSEMENT

Retirez la batterie de la machine avant de la transporter et de l'entreposer.

6.1 ENTREPOSEZ LA MACHINE

▲ AVERTISSEMENT

Assurez-vous que les parties électriques sont sèches.

▲ AVERTISSEMENT

Assurez-vous que les enfants ne peuvent pas s'approcher de la machine.

- Assurez-vous que la batterie a été retirée.
- Nettoyez le boîtier et les composants en plastique avec un chiffon doux et humide.
- Assurez-vous que la machine n'a pas de pièces mal fixées ou endommagées. Au besoin, suivez ces étapes/instructions :
 - remplacez les pièces endommagées.

- serrez les écrous.
- communiquez avec un centre de service agréé.
- Rangez la machine dans un environnement où la température est entre -10°F (-23°C) et +85°F (+23°C).

7 DÉPANNAGE

PROBLÈME	CAUSE POSSIBLE	SOLUTION
Le moteur ne démarre pas.	Le bloc-batterie n'est pas fixé fermement.	Assurez-vous que vous avez bien installé le bloc batterie dans la machine.
	Le bloc-batterie est déchargé.	Rechargez le bloc-batterie.
	Le câble est lâche.	Assurez-vous de bien attacher les connecteurs ensemble.
	Le régulateur est endommagé.	Faites remplacer les pièces défectueuses par un centre de service certifié.
La machine fonctionne lentement.	La batterie est faible.	Rechargez le bloc-batterie.
	La batterie est usagée.	Remplacez par une nouvelle batterie.
	La surface n'est pas stable.	Essayez de déplacer la machine sur une surface plane.
La machine ne fonctionne pas occasionnellement.	Les boutons électriques sont endommagés.	Parlez à une personne d'un centre de service certifié.
	Les boutons électriques sont rouillés.	Parlez à une personne d'un centre de service certifié.
La boîte de vitesse fait du bruit.	Le mécanisme est endommagé.	Parlez à une personne d'un centre de service certifié.

8 TECHNICAL DATA

Tension nominale	80 V
Puissance nominale	300 W
Capacité de charge	220 lb. (100 kg)
Pression de gonflage	30 PSI Maximum
Poids (sans block-piles)	40 kg (±2 kg)
Capacité (Volume)	106 L/ 3.74 CUFT

Longueur	51.8" (131.5 cm)
Largeur	26.4" (67 cm)
Hauteur	43.3" (110 cm)
Vitesse	Haute : 4.2 km/h/ 2.6 mph
	Basse : 3 km/h/ 1.86 mph
	Marche arrière : 2.4 km/h/ 1.49 mph
Pneu avant	12x5.00-6" Roue pneumatique
Pneu arrière	8" Ensemble de roues pivotantes
Type d'huile	Transmission automatique de fluide
Capacité en huile	150 ml

9 GARANTIE LIMITÉE



Greenworks garantit par la présente ce produit, à l'acheteur original avec preuve d'achat, pour une période de quatre (4) ans contre tout défaut de matériaux, de pièces ou de main-d'œuvre. Greenworks, à sa propre discrétion, réparera ou remplacera toutes les pièces défectueuses, dans des conditions normales d'utilisation, sans frais pour le client. Cette garantie n'est valable que pour les appareils qui ont été utilisés à des fins personnelles, qui n'ont pas été loués à des fins industrielles ou commerciales et qui ont été entretenus conformément aux instructions du manuel du propriétaire fourni avec le produit neuf.

ARTICLES NON COUVERTS PAR LA GARANTIE :

1. Toute pièce qui est devenue inopérante en raison d'une mauvaise utilisation, d'une utilisation commerciale, d'un abus, d'une négligence, d'un accident, d'un entretien inapproprié ou d'une modification ; ou
2. L'appareil, s'il n'a pas été utilisé et/ou entretenu conformément au manuel du propriétaire ; ou
3. Usure normale, sauf comme indiqué ci-dessous ;
4. Articles d'entretien courant tels que lubrifiants, affûtage des lames ;
5. Détérioration normale du fini extérieur due à l'utilisation ou à l'exposition.

ASSISTANCE TÉLÉPHONIQUE :

Le service de garantie est disponible en appelant notre ligne d'assistance téléphonique sans frais, au 1-855-470-4267.

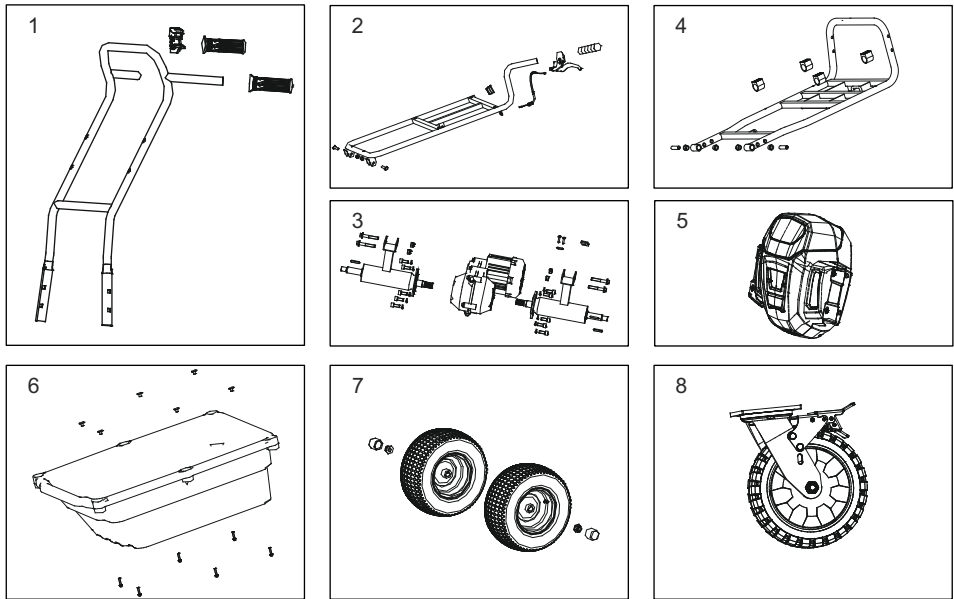
FRAIS DE TRANSPORT :

Les frais de transport pour le déplacement de tout équipement motorisé ou accessoire sont à la charge de l'acheteur. Il incombe à l'acheteur de payer les frais de transport pour toute pièce retournée pour remplacement en vertu de la présente garantie, à moins qu'un tel retour soit demandé par écrit par Greenworks.

Adresse aux États-Unis : Adresse au Canada :

Greenworks Tools Greenworks Tools Canada Inc.
 P.O. Box 1238 1110 Stellar Drive Unit 102
 Mooresville, NC 28115 Newmarket, ON, L3Y 7B7

10 VUE ÉCLATÉES



No	No de pièce	Description	Qté
1	RA31114696	Ensemble de la partie supérieure du guidon	1
2	R0201220-00	Ensemble du frein	1
3	RA31105696	Ensemble du moteur	1
4	R0201221-00	Ensemble du châssis	1
5	R0201222-00	Montage du panneau	1
6	R0201224-00	Ensemble du seau	1

Français

No	No de pièce	Description	Qté
7	RA31107696	Ensemble de roue avant	1
8	RA31106696	Ensemble de la roue pivotante arrière	1

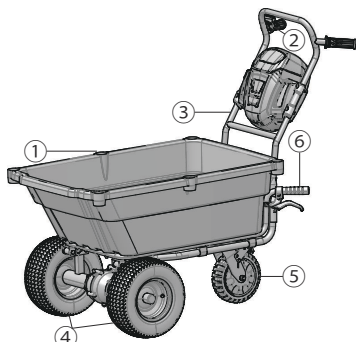
FR

1 DESCRIPCIÓN

1.1 FINALIDAD

Esta carretilla de jardín es una herramienta de jardín, destinada a transportar tierra, césped, etc. para uso doméstico.

1.2 PERSPECTIVA GENERAL



- | | | | |
|---|--------------|---|-----------------|
| 1 | Cubo | 4 | Rueda delantera |
| 2 | Acelerador | 5 | Rueda de guía |
| 3 | Asa superior | 6 | Asa del cubo |

2 ADVERTENCIAS GENERALES DE SEGURIDAD PARA HERRAMIENTAS ELÉCTRICAS

▲ AVISO

Lea todas las advertencias de seguridad y todas las instrucciones. *El incumplimiento de las advertencias e instrucciones puede provocar descargas eléctricas, incendios o lesiones graves.*

Guarde todas las advertencias e instrucciones para su consulta posterior.

El término "herramienta eléctrica" empleado en las advertencias se refiere a su herramienta eléctrica con funcionamiento a batería (inalámbrica).

2.1 ADVERTENCIAS GENERALES DE SEGURIDAD PARA HERRAMIENTAS ELÉCTRICAS

- Lleve calzado con suelas no deslizantes. Si tiene calzado de seguridad, llévelo. No utilice la máquina si está descalzo o lleva sandalias.
- Lleve indumentaria adecuada - No lleve ropa o joyas sueltas. Pueden quedar atrapadas en las piezas móviles. Se recomienda el uso de guantes y calzado resistente cuando se trabaje en el exterior. Lleve una protección capilar para sujetar el cabello largo.
- Utilice gafas de seguridad.
- Manténgase alerta y observe lo que está haciendo.
- Tenga sumo cuidado al acercarse a esquinas ciegas, arbustos, árboles u otros objetos que puedan ocultar su visión.
- Este atento por si hubiera agujeros, surcos o baches. Tenga cuidado en terrenos irregulares para evitar el vuelco de la máquina. La hierba alta puede ocultar obstáculos.
- Inspeccione exhaustivamente la superficie donde va a utilizarse la máquina y elimine todas las piedras, ramas, cables, productos para mascotas o juguetes de jardín y cualquier otro objeto extraño sobre el que pueda pasar. Tome nota de la ubicación de agujeros, surcos, baches o tocones, así como de otros posibles riesgos.
- Mantenga las asas y las superficies de agarre secas, limpias y sin restos de aceite y grasa. Las asas y las superficies de agarre resbaladizas no permiten un manejo y control seguros de la herramienta en situaciones inesperadas.
- Asegúrese de que no haya otras personas en la zona antes de moverse. No permita que haya niños, transeúntes o mascotas en la superficie de trabajo cuando se mueva la máquina.
- Utilice la máquina únicamente con luz diurna o en una zona con una buena iluminación artificial.
- No utilice la máquina si no se pone en marcha o se detiene normalmente.
- Asegúrese siempre de tener un buen equilibrio.
- No se estire. Mantenga en todo momento una postura adecuada y el equilibrio. Esto permite un mejor control de la herramienta eléctrica en situaciones inesperadas.
- No utilice la máquina cuando esté cansado o bajo la influencia de drogas o alcohol.
- No utilice la máquina para trabajos distintos del previsto.
- No fuerce el aparato - Hará el trabajo mejor y con menos probabilidades de sufrir lesiones a la velocidad para la que se diseñó.
- Utilice únicamente los accesorios y las piezas de repuesto recomendados por el fabricante.
- El uso de componentes que no sean los suministrados podría provocar el sobrecalentamiento, un incendio o una explosión.
- Nunca modifique la máquina en modo alguno. Las modificaciones anulan la garantía.
- Nunca realice ajustes o reparaciones con el motor en marcha.
- No utilice la máquina si el interruptor no la enciende y la apaga.

- Tenga cuidado durante la utilización en condiciones húmedas.
- No permita que la familiaridad adquirida con el uso frecuente de las herramientas le permita ser confiado e ignorar los principios de seguridad de las herramientas. Una acción descuidada puede provocar lesiones graves en una fracción de segundo.
- No utilice en atmósferas explosivas, como en la presencia de líquidos, gases o polvo que puedan inflamarse. En caso de duda, espere a que el polvo se asiente antes del uso.
- Mantenga todas las tuercas y los pernos apretados y mantenga el equipo en buen estado.
- Compruebe las piezas dañadas - Antes de seguir utilizando el aparato, una protección u otra pieza dañada debe comprobarse detenidamente para determinar si funcionará correctamente y cumplirá su función prevista. Compruebe la alineación de las piezas móviles, la unión de las piezas móviles, la rotura de piezas, el montaje y cualquier otra condición que pueda afectar a su funcionamiento. Una protección u otra pieza que esté dañada debe ser reparada o sustituida debidamente por un centro de servicio autorizado, a menos que se indique lo contrario en este manual.
- Las tareas de servicio exigen un cuidado extremo, así como conocimientos, y deben ser realizadas únicamente por un técnico de servicio cualificado. Para cuestiones de servicio, le recomendamos que devuelva el producto al CENTRO DE SERVICIO AUTORIZADO más cercano para su reparación. Cuando realice tareas de servicio, utilice únicamente piezas de repuesto idénticas.

2.2 ADVERTENCIAS DE SEGURIDAD PARA CARRETILLAS DE JARDÍN

- No ponga las manos ni los pies cerca o debajo de las ruedas giratorias.
- Nunca utilice la máquina bajo la lluvia o sobre hierba mojada alta.
- Gire la carretilla de jardín de forma lenta y gradual en pendientes.
- No utilice en pendientes superiores a 16.7 grados.
- Estacione en superficies niveladas para una mayor estabilidad al cargar o descargar.
- No tire de la máquina hacia atrás mientras esté funcionando marcha hacia delante. Esto puede dañar el motor y estropear los engranajes.
- Evite daños en el motor y los engranajes - no remolque nada detrás de la máquina ni la sobrecargue.
- Distribuya uniformemente la carga en el cubo de la máquina.
- Límite de peso: 220 lbs. (100 kg) en superficies niveladas de cemento — la sobrecarga puede producir lesiones y dañar la unidad de forma permanente.
- Cargue solo con tanto peso como pueda controlar cuando la máquina esté en movimiento.
- Nunca transporte pasajeros.

- No pase cerca de precipicios, zanjas o terraplenes. La máquina podría volcar súbitamente.

2.3 DESPLAZAMIENTO EN PENDIENTE

- Las pendientes son un factor principal relacionado con los accidentes por resbalones y caídas, que pueden provocar lesiones graves. Todas las pendientes requieren precaución. Si no se siente seguro en una pendiente, no pase por ella.
- Tenga precaución en las pendientes. Siempre que sea posible, suba y baje la pendiente en ángulo.
- Extreme las precauciones cuando cambie de dirección en pendientes.
- Cuando se desplace por pendientes, mantenga siempre la máquina en una marcha baja. La fricción del motor le ayuda a mantener un mejor control de la máquina.
- Tenga precaución cuando transporte cargas pesadas en dirección ascendente en las pendientes. Si la máquina está sobrecargada, el fusible de seguridad puede saltar y permitir que la máquina retroceda hacia usted, lo que puede provocar lesiones graves.
- No gire en pendientes a menos que sea necesario y hágalo lento y gradualmente.
- Elimine obstáculos como rocas, ramas de árboles o cualquier otro posible objeto que la máquina pueda golpear.
- Este atento por si hubiera agujeros, surcos o baches. Tenga cuidado en terrenos irregulares para evitar el vuelco de la máquina. La hierba alta puede ocultar obstáculos.
- No estacione la máquina en colinas o pendientes pronunciadas.

2.4 SEGURIDAD INFANTIL

Pueden producirse accidentes trágicos si el operario no es consciente de la presencia de niños.

- Mantenga a los niños fuera de la zona de trabajo y bajo la vigilancia de un adulto responsable.
- No permita que niños menores de 14 años utilicen esta máquina. Los niños de 14 años y mayores deben leer y entender las instrucciones de funcionamiento y las normas de seguridad que se encuentran en este manual y deben recibir formación y supervisión por parte de uno de sus progenitores.
- Manténgase alerta y apague la máquina si un niño o cualquier otra persona entra en la zona de trabajo.
- Tenga mucho cuidado al acercarse a esquinas ciegas, portales, arbustos, árboles u otros objetos que puedan ocultar su visión de un niño que pueda correr hacia el recorrido de la máquina.

2.5 PROPUESTA 65

▲ AVISO

Este producto contiene una sustancia química conocida en el estado de California como causante de cáncer, defectos de nacimiento u otros daños reproductivos. El polvo generado por el lijado eléctrico, el serrado, el esmerilado, la perforación y otras actividades de construcción contiene sustancias químicas que se sabe que son causantes de cáncer, defectos de nacimiento u otros daños reproductivos. Algunos ejemplos de estas sustancias químicas son:






- Plomo de pinturas con base de plomo;
- Sílice cristalina de ladrillos y cemento y otros productos de albañilería;
- Arsénico y cromo de la madera tratada químicamente.




El riesgo de exposición a estas sustancias químicas varía según la frecuencia con la que realice este tipo de trabajo. Para reducir su exposición a estas sustancias químicas, trabaje en una zona bien ventilada y trabaje con equipos de seguridad aprobados, como máscaras antipolvo, que estén especialmente diseñadas para filtrar partículas microscópicas.

Conserve estas instrucciones.

2.6 SÍMBOLOS EN EL PRODUCTO




En esta herramienta pueden utilizarse algunos de los siguientes símbolos. Le rogamos que los estudie y aprenda su significado. La interpretación correcta de estos símbolos le permitirá manejar la herramienta mejor y de manera más segura.

Símbolo	Explicación
V	Tensión
A	Corriente
W	Potencia
min	Tiempo
	Corriente alterna - Tipo o característica de corriente.
	Tipo de corriente directa o característica de corriente.
	Precauciones que afectan a su seguridad.
	Debe leer y entender todas las instrucciones antes de manejar el producto, así como seguir todas las advertencias e instrucciones de seguridad.
	No exponga el producto a la lluvia o a condiciones de humedad.

Símbolo	Explicación
	Lleve protección ocular.
	Los objetos proyectados pueden rebotar y provocar lesiones personales o daños materiales. Lleve indumentaria de protección y botas.
	No trabaje en inclinaciones superiores a 15°.

2.7 NIVELES DE RIESGO

Las siguientes indicaciones y significados tienen como fin explicar los niveles de riesgo asociados a este producto.

SÍMBOLO	INDICACIÓN	SIGNIFICADO
	PELIGRO	Indica una situación de peligro inminente que, de no evitarse, provocará lesiones graves o incluso la muerte.
	ADVERTENCIA	Indica una situación de peligro potencial que, de no evitarse, podría provocar lesiones graves o incluso la muerte.
	PRECAUCIÓN	Indica una situación de peligro potencial que, de no evitarse, puede provocar lesiones leves o moderadas.
	PRECAUCIÓN	(Sin símbolo de alerta sobre seguridad) Indica una situación que puede provocar daños materiales.

3 INSTALACIÓN

3.1 DESEMBALAJE DE LA MÁQUINA

▲ AVISO

Asegúrese de montar correctamente la máquina antes del uso.

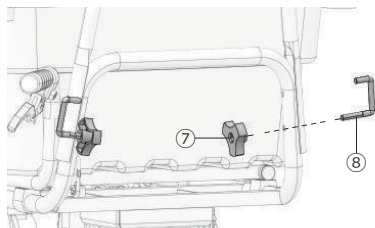
▲ AVISO

- Si las piezas presentan daños, no utilice la máquina.
- Si no tiene todas las piezas, no utilice la máquina.
- Si faltan piezas o hay piezas dañadas, hable con el centro de servicio.

1. Abra el embalaje.
2. Lea la documentación que se encuentra en la caja.
3. Retire todas las piezas sin montar de la caja.

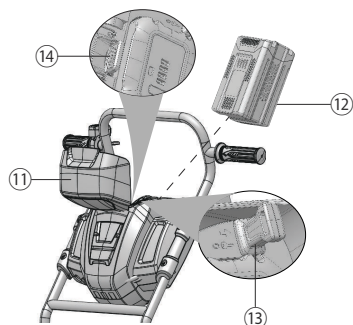
4. Retire la máquina de la caja.
5. Deseche la caja y el embalaje de conformidad con los reglamentos locales.

3.2 INSTALACIÓN DEL ASA SUPERIOR



1. Alinee los orificios del asa superior (3) y el asa inferior.
2. Introduzca el perno (7) por el orificio.
3. Apriete el mando (8) en el perno (7).
4. Realice la misma operación en el otro lado.

3.3 INSTALACIÓN DE LA BATERÍA



▲ AVISO

- Si la batería o el cargador ha sufrido daños, sustituya la batería o el cargador.
- Detenga la máquina y espere hasta que el motor se pare antes de instalar o retirar la batería.
- Debe leer, conocer y seguir las instrucciones del manual de la batería y el cargador.

1. Abra la puerta de la batería (11).
2. Alinee las nervaduras de elevación de la batería con las ranuras del compartimento de la batería.
3. Introduzca la batería (12) en el compartimento de la batería hasta que encaje en su posición.
4. Cuando escuche un clic, la batería está instalada.
5. Instale la llave de la batería (13).
6. Cierre la puerta de la batería.

3.4 RETIRADA DE LA BATERÍA

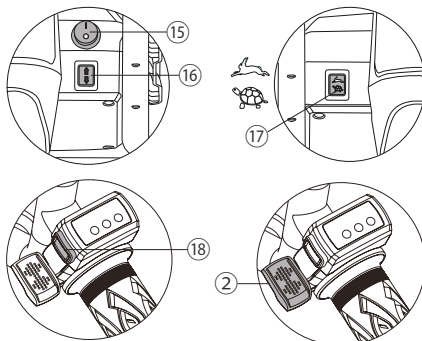
1. Abra la puerta de la batería (11).
2. Retire la llave de la batería (13).
3. Pulse y mantenga pulsado el botón de desbloqueo de la batería (14).
4. Retire la batería (12) de la máquina.

4 FUNCIONAMIENTO

▲ AVISO

Sujete bien el asa cuando mueva la máquina.

4.1 AJUSTE DE LA VELOCIDAD



i NOTA

La máquina tiene un botón de dos velocidades.

1. Empuje el icono de velocidad alta (17) hacia el conejo para definir la velocidad alta.
2. Empuje el icono de velocidad baja (17) hacia la tortuga para definir la velocidad baja.

4.2 CAMBIO DEL BOTÓN DE DIRECCIÓN

i NOTA

La máquina tiene un botón de dos direcciones.

1. Pulse el icono de avance (16) para avanzar.
2. Pulse el icono de retroceso (16) para retroceder.

▲ AVISO

Muévase hacia atrás una distancia corta.

4.3 PUESTA EN MARCHA DE LA MÁQUINA

1. Sitúe el interruptor de encendido (15) en la posición ON.

- Asegúrese de que la velocidad y la dirección estén en el ajuste deseado.
- Pulse el botón de seguridad (18).
- Pise el acelerador (2) para poner en marcha la máquina.

i IMPORTANTE

Puede pisar el acelerador (2) nuevamente para volver a poner en marcha la carretilla en los 30 segundos posteriores tras haberlo soltado.

4.4 DETENCIÓN DE LA MÁQUINA

- Suelte el acelerador (2).
- Sitúe el interruptor de encendido (15) en la posición OFF.

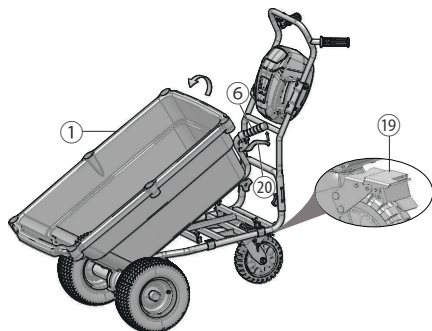
▲ AVISO

No suelte el asa hasta que la máquina no se mueva.

▲ AVISO

Ponga la máquina sobre una superficie nivelada y aplique el freno.

4.5 USO DEL FRENO



4.5.1 BLOQUEO DEL FRENO

- Pise el freno.
- Repita en el lado contrario.

4.5.2 DESBLOQUEO DEL FRENO

- Pise el freno de nuevo.
- Repita en el lado contrario.

4.6 VACIADO DEL CUBO

- Detenga la máquina.
- Apriete la palanca de desbloqueo del cubo (20) para soltar el cubo (1).
- Sostenga el asa del cubo (6) para levantar este (1).
- Vacíe el cubo (1).

4.7 RESTABLECIMIENTO DEL CUBO

- Apriete la palanca de desbloqueo del cubo (21) mientras presiona hacia abajo sobre el asa del cubo.
- Presione hacia abajo hasta que encaje en su posición.

ES

5 MANTENIMIENTO

▲ AVISO

Antes del mantenimiento, asegúrese de

- detener la máquina.
- esperar hasta que se detengan todas las piezas móviles.
- Retire la batería de la máquina.

▲ AVISO

No utilice disolventes o detergentes fuertes en la carcasa o los componentes de plástico.

▲ AVISO

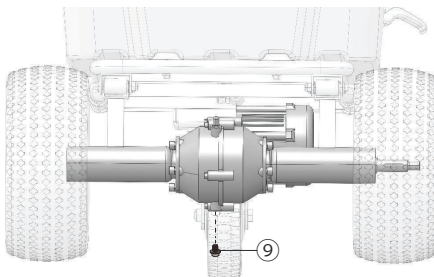
No permita que líquidos de frenos, gasolina y otros derivados del petróleo toquen las piezas de plástico. Las sustancias químicas pueden dañar el plástico y hacer que quede inservible.

5.1 CAMBIO DEL ACEITE

▲ PRECAUCIÓN

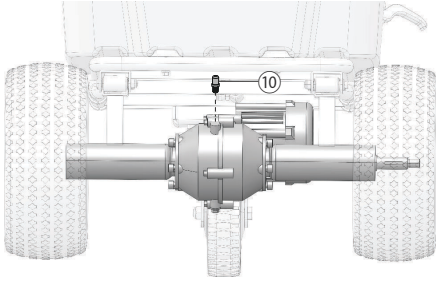
Cambie el aceite cada seis meses en el primer año. Cambie el aceite cada año los años restantes.

5.1.1 VACIADO DEL ACEITE



- Retire el tapón de drenaje (9) con una llave (12 mm) (no incluida).
- Drene el aceite.
- Instale y apriete el tapón de drenaje (9).

5.1.2 CÓMO AÑADIR ACEITE

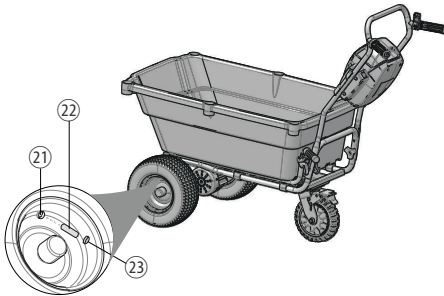


1. Retire el tapón de aceite (10) con una llave de 10,5 mm (no incluida).
2. Añada el aceite por el orificio del aceite.
3. Instale y apriete el tapón de aceite (10).

ⓘ IMPORTANTE

La capacidad de aceite es aproximadamente de 150 ml (5 oz.).

5.2 EXAMEN DE LA PRESIÓN DE LOS NEUMÁTICOS



▲ AVISO

Mantenga la presión de los neumáticos entre 28 y 30 psi.

5.2.1 INFLADO

1. Retire la tapa del aire (23).
2. Introduzca la manguera de aire (no suministrada) en el vástago de la válvula (21).

▲ AVISO

No infle demasiado los neumáticos para evitar que exploten.

5.2.2 DESINFLADO

1. Introduzca el pasador de aire (22) en el centro del vástago de la válvula (21).

6 TRANSPORTE Y ALMACENAMIENTO

▲ AVISO

Retire la batería de la máquina antes del transporte y el almacenamiento.

6.1 ALMACENAMIENTO DE LA MÁQUINA

▲ AVISO

Asegúrese de que las piezas eléctricas estén secas.

▲ AVISO

Asegúrese de que los niños no puedan acercarse a la máquina.

- Asegúrese de retirar la batería.
- Limpie la carcasa y los componentes de plástico con un paño húmedo y suave.
- Asegúrese de que la máquina no tenga piezas sueltas o dañadas. Si es necesario, siga estos pasos/estas instrucciones:
 - sustituya las piezas dañadas.
 - apriete los pernos.
 - consulte con un centro de servicio autorizado.
- Almacene la máquina en un entorno donde la temperatura esté entre -10°F (-23°C) y $+85^{\circ}\text{F}$ ($+23^{\circ}\text{C}$).

7 SOLUCIÓN DE PROBLEMAS

PROBLEMA	POSIBLE CAUSA	SOLUCIÓN
El motor no se pone en marcha.	La batería no se ha instalado bien.	Asegúrese de que ha instalado bien la batería en la máquina.
	La batería se ha agotado.	Cargue la batería.
	El cable está suelto.	Asegúrese de fijar bien los conectores.
	El controlador ha sufrido daños.	El controlador defectuoso debe ser sustituido por un centro de servicio autorizado.

PROBLEMA	POSIBLE CAUSA	SOLUCIÓN
La máquina funciona lentamente.	La potencia de la batería está baja.	Cargue la batería.
	La batería está vieja.	Sustituya por una batería nueva.
	La superficie no es estable.	Intente mover la máquina sobre una superficie nivelada.
La máquina no funciona ocasionalmente.	Los interruptores eléctricos han sufrido daños.	Hable con una persona de un centro de servicio aprobado.
	Los interruptores eléctricos están corroidos.	Hable con una persona de un centro de servicio aprobado.
La caja de engranajes hace ruido.	El engranaje ha sufrido daños.	Hable con una persona de un centro de servicio aprobado.

8 TECHNICAL DATA

Tensión nominal	80 V
Potencia nominal	300 W
Capacidad de carga	220 lbs. (100kg)
Presión de inflado	30 PSI Máximo
Peso (sin batería)	40 kg (±2 kg)
Capacidad (Volumen)	106 L/ 3.74 CUFT
Longitud	51.8" (131.5 cm)
Anchura	26.4" (67 cm)
Altura	43.3" (110 cm)
Velocidad	Alta: 4.2 km/h/ 2.6 mph
	Baja: 3 km/h/ 1.86 mph
	Marcha atrás: 2.4 km/h/ 1.49 mph
Neumático delantero	12x5.00-6" Rueda neumática
Neumático trasero	8" Rueda de guía maciza
Tipo de aceite	Fluido de transmisión automática
Capacidad de aceite	150 ml

9 GARANTÍA LIMITADA



Por la presente Greenworks garantiza este producto, al comprador original con el comprobante de compra, durante un periodo de cuatro (4) años frente a defectos en materiales, piezas o mano de obra. A su entera discreción Greenworks reparará o sustituirá cualquiera y todas las piezas que resulten ser defectuosas, con un uso normal, sin coste alguno para el cliente. Esta garantía es válida únicamente para unidades que se hayan utilizado para uso personal que no han sido arrendadas o alquiladas para uso industrial/comercial y cuyo mantenimiento se ha realizado de acuerdo con las instrucciones del manual del propietario suministrado con el producto nuevo.

ARTÍCULOS NO CUBIERTOS POR LA GARANTÍA:

1. Cualquier pieza que no funcione debido a mal uso, uso comercial, abuso, negligencia, accidente, mantenimiento inadecuado o alteración; o
2. La unidad, si no ha sido utilizada o mantenida de acuerdo con el manual del propietario; o
3. Desgaste normal, excepto en lo indicado a continuación;
4. Artículos de mantenimiento de rutina tales como lubricantes, afilado de cuchillas;
5. Deterioro normal del acabado exterior debido al uso o la exposición.

LÍNEA DE ASISTENCIA TELEFÓNICA:

Puede contactar con el servicio de garantía llamando a nuestra línea de asistencia telefónica gratuita, a 1-855-470-4267.

COSTES DE TRANSPORTE:

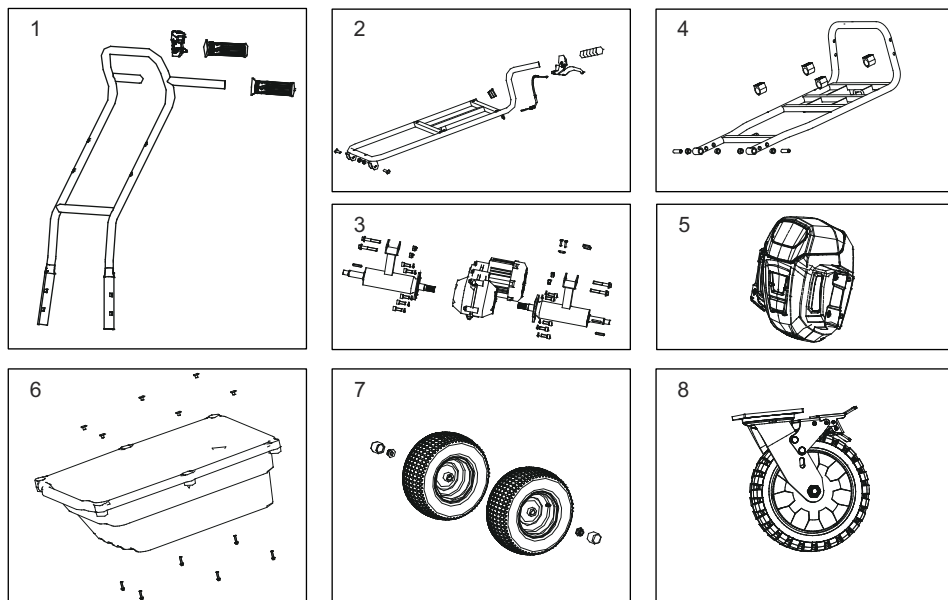
Los costes de transporte por el desplazamiento de cualquier unidad o accesorio de equipos eléctricos son responsabilidad del comprador. Es responsabilidad del comprador pagar los costes de transporte de cualquier pieza enviada para su sustitución bajo esta garantía, a menos que dicha devolución sea solicitada por escrito por Greenworks.

Dirección en EE.UU.: Dirección en Canadá:

Greenworks Tools	Greenworks Tools Canada Inc.
P.O. Box 1238	1110 Stellar Drive Unit 102
Mooresville, NC 28115	Newmarket, ON, L3Y 7B7

10 VISTA DESPIEZADA

ES



Nº	Nº pieza	Descripción	Cant.
1	RA31114696	Conjunto de asa superior	1
2	R0201220-00	Conjunto del freno	1
3	RA31105696	Conjunto del motor	1
4	R0201221-00	Conjunto del bastidor	1
5	R0201222-00	Conjunto del panel	1
6	R0201224-00	Conjunto del cubo	1
7	RA31107696	Conjunto de rueda delantera	1
8	RA31106696	Conjunto de rueda de guía trasera	1

