

# greenworks

# pro<sup>TM</sup>

EN

STRING TRIMMER

OPERATOR MANUAL

FR

COUPE-HERBE

MANUEL DE L'UTILISATEUR

ES

CORTABORDES

MANUAL DEL OPERADOR



**STB409**

[www.greenworkstools.com](http://www.greenworkstools.com)



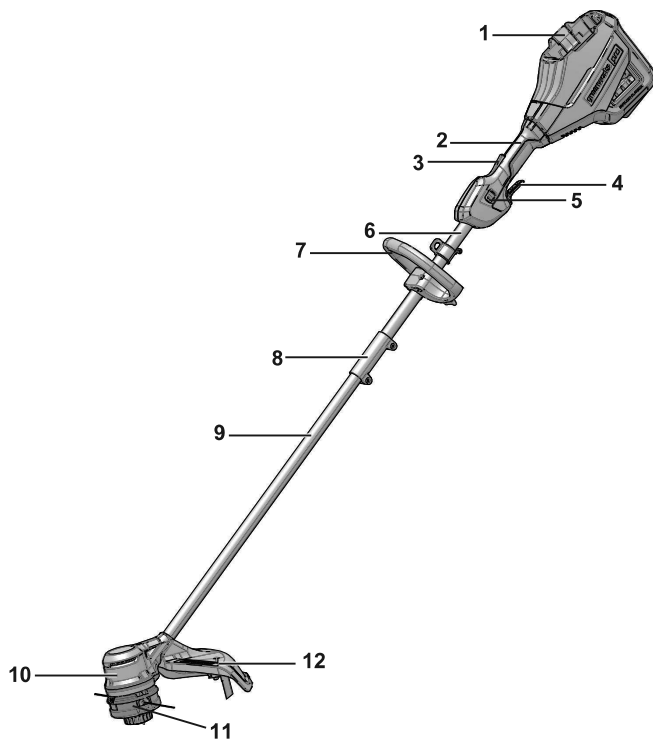
<b>1</b>	<b>Description.....</b>	<b>4</b>	9.1	Controls.....	8
1.1	Purpose.....	4	9.2	Start the machine.....	8
1.2	Overview.....	4	9.3	Stop the machine.....	8
1.3	Packing list.....	4	9.4	Adjust the length of the cutting line.....	8
<b>2</b>	<b>Important safety instructions.....</b>	<b>4</b>	9.5	Adjust the cutting diameter.....	9
<b>3</b>	<b>Symbols on the machine.....</b>	<b>5</b>	9.6	Line cut-off blade.....	9
<b>4</b>	<b>Risk levels.....</b>	<b>6</b>	9.7	Operation tips.....	9
<b>5</b>	<b>Service.....</b>	<b>6</b>	9.8	Cutting tips .....	9
<b>6</b>	<b>Environmentally safe battery disposal.....</b>	<b>6</b>	<b>10</b>	<b>Maintenance.....</b>	<b>9</b>
<b>7</b>	<b>Proposition 65.....</b>	<b>6</b>	10.1	General information.....	10
<b>8</b>	<b>Installation.....</b>	<b>6</b>	10.2	Clean the machine.....	10
8.1	Unpack the machine.....	6	10.3	Replace excess line.....	10
8.2	Attach the guard.....	7	10.4	Install the cutting line.....	10
8.3	Assemble the shaft.....	7	<b>11</b>	<b>Transportation and storage.....</b>	<b>11</b>
8.4	Attach the auxiliary handle.....	7	11.1	Move the machine.....	11
8.5	Install the battery pack.....	8	11.2	Store the machine.....	11
8.6	Remove the battery pack.....	8	<b>12</b>	<b>Technical data.....</b>	<b>11</b>
<b>9</b>	<b>Operation.....</b>	<b>8</b>	<b>13</b>	<b>Troubleshooting.....</b>	<b>12</b>
			<b>14</b>	<b>Limited warranty.....</b>	<b>13</b>
			<b>15</b>	<b>Exploded view.....</b>	<b>14</b>

## 1 DESCRIPTION

### 1.1 PURPOSE

This machine is used to cut grass, light weeds, and other similar vegetation at or around ground level. The cutting plane must be approximately parallel to the ground surface. You cannot use the machine to cut or chop hedges, shrubs, bushes, flowers and compost.

### 1.2 OVERVIEW



- |    |                        |
|----|------------------------|
| 1  | Battery release button |
| 2  | Rear handle            |
| 3  | Lock-out button        |
| 4  | Trigger                |
| 5  | Speed switch           |
| 6  | Upper shaft            |
| 7  | Auxiliary handle       |
| 8  | Coupler                |
| 9  | Lower shaft            |
| 10 | Motor housing          |
| 11 | Trimmer head           |
| 12 | Guard                  |

### 1.3 PACKING LIST

- |   |                          |   |                |
|---|--------------------------|---|----------------|
| 1 | String trimmer bare tool | 4 | Allen key      |
| 2 | Auxiliary handle         | 5 | Manual         |
| 3 | Guard                    | 6 | Shoulder strap |

## 2 IMPORTANT SAFETY INSTRUCTIONS

**READ ALL INSTRUCTIONS BEFORE USING (THIS POWER TOOL)**

### ▲ WARNING

**Read and understand all instructions before using this product.** Failure to follow all instructions listed below may result in electric shock, fire, and/or serious personal injury.









- Use only identical manufacturer's replacement parts and accessories. Use of any other parts may create a hazard or cause product damage.
- Always wear safety glasses with side shields marked to comply with ANSI Z87.1. Everyday glasses have only impact resistant lenses. They are NOT safety glasses. Following this rule will reduce the risk of eye injury. Use face mask if operating in dusty work spaces.
- Avoid Dangerous Environment – Don't expose power tools to damp or wet conditions. Water entering a power tool will increase the risk of electric shock.
- Don't use in rain.
- Keep all bystanders, children, and pets at least 50 ft. away.
- Dress Properly – Do not wear loose clothing or jewelry. They can be caught in moving parts. Use of rubber gloves and substantial footwear is recommended when working outdoors. Wear protective hair covering to contain long hair.
- Use right Appliance. Do not use appliance for any job except that for which it is intended.
- Avoid Unintentional Starting – Don't carry appliance with finger on switch. Be sure switch is off when battery is plugged in.
- Don't Force Appliance – It will do the job better and with less likelihood of a risk of injury at the rate for which it was designed.
- Don't overreach – Keep proper footing and balance at all times.
- Stay alert – Watch what you are doing. Use common sense. Do not operate this unit when you are tired, ill or under the influence of alcohol, drugs or medication.
- Always store idle power tools indoors – When not in use, power tools should be stored indoors in a dry and high or locked-up place, out of reach of children.
- Maintain Appliance With Care – Replace string head if cracked, chipped, or damaged in any way. Be sure the string head is properly installed and securely fastened. Keep cutting edge sharp and clean for best performance and to reduce the risk of injury. Follow instructions for lubricating and changing accessories. Inspect appliance cord periodically, and if damaged, have it repaired by an authorized service facility. Inspect extension cords periodically and replace if damaged. Keep handles dry, clean, and free from oil and grease. Failure to do so can cause serious injury.

- Check damaged parts before using the appliance, a guard or other part that is damaged should be carefully checked to determine that it will operate properly and perform its intended function. Check for alignment of moving parts, binding of moving parts, breakage of parts, damaged mountings, and any other condition that may affect its operation. A guard or other part that is damaged should be properly repaired or replaced by an authorized service center unless indicated elsewhere in this manual.
- Remove or disconnect battery before servicing, cleaning or removing material from the gardening appliance.
- Do not modify or attempt to repair the appliance or the battery pack (as applicable) except as indicated in the instructions for use and care. Use appliances only with specifically designated battery packs. Use of any other battery packs may create a risk of injury and fire. Use only with Greenworks BAB727 battery or other BAB series.
- Recharge only with the charger specified by the manufacturer. A charger that is suitable for one type of battery pack may create a risk of fire when used with another battery pack. Use only with Greenworks GCH8020 charger or other CAB series.
- When battery pack is not in use, keep it away from other metal objects, like paper clips, coins, keys, nails, screws or other small metal objects, that can make a connection from one terminal to another. Shorting the battery terminals together may cause a fire.
- Under abusive conditions, liquid may be ejected from the battery; avoid contact. If contact accidentally occurs, flush with water. If liquid contacts eyes, additionally seek medical help. Liquid ejected from the battery may cause irritation or burns.
- Do not use a battery pack or appliance that is damaged or modified. Damaged or modified batteries may exhibit unpredictable behavior resulting in fire, explosion or risk of injury.
- Do not expose a battery pack or appliance to fire or excessive temperature. Exposure to fire or temperature above 265 °F (130 °C) may cause an explosion.
- Do not dispose of the batteries in a fire. The cells may explode. Check with local codes for possible special disposal instructions.
- Do not open or mutilate the batteries. Released electrolyte is corrosive and may cause damage to the eyes or skin. It may be toxic if swallowed.
- Exercise care in handling batteries in order not to short the battery with conducting materials such as rings, bracelets, and keys. The battery or conductor may overheat and cause burns.
- Follow all charging instructions and do not charge the battery pack or appliance outside of the temperature range specified in the instructions. Charging improperly or at temperatures outside of the specified range may damage the battery and increase the risk of fire.
- Have servicing performed by a qualified repair person using only identical replacement parts. This will ensure that the safety of the product is maintained.
- Keep guards in place and in working order.
- Keep hands and feet away from cutting area.
- Disconnect the battery pack from the appliance before making any adjustments, changing accessories, or storing appliance. Such preventive safety measures reduce the risk of starting the appliance accidentally.
- Use only with the nylon cutting line of 0.095" / 0.080" (2.4 mm / 2.0 mm) diameter. Do not use heavier lines than recommended by the manufacturer and line materials of other types – for example, metal wire, rope, and the like.

### SAVE THESE INSTRUCTIONS




## 3 SYMBOLS ON THE MACHINE

Some of the following symbols can be used on this machine. Please study them and learn their definition. Proper interpretation of these symbols will let you operate the tool better and safer.

Symbol	Explanation
V	Voltage
A	Current
Hz	Frequency (cycles per second)
W	Power
min	Time
/min	Revolutions, strokes, surface speed, orbits etc., per minute
	Direct current
	Precautions that involve your safety.
	Read and understand all instructions before you operate the machine, and follow all warnings and safety instructions.
	Always wear safety glasses with side shields marked to comply with ANSI Z87.1 when you operate this machine.
	Do not expose the machine to rain or moist conditions.
	Keep all bystanders at least 15m away.
	Do not install or use any type of blade on the machine or displaying this symbol.
	Thrown objects can ricochet and result in personal injury or property damage.

## 4 RISK LEVELS

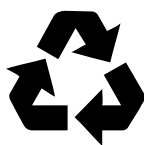
The following signal words and meanings are intended to explain the levels of risk associated with this product.

SYM-BOL	SIGNAL	MEANING
	DANGER	Indicates an imminently hazardous situation, which, if not avoided, will result in death or serious injury.
	WARNING	Indicates a potentially hazardous situation, which, if not avoided, could result in death or serious injury.
	CAUTION	Indicates a potentially hazardous situation, which, if not avoided, may result in minor or moderate injury.
	CAUTION	(Without Safety Alert Symbol) Indicates a situation that may result in property damage.

## 5 SERVICE

Servicing requires extreme care and knowledge and must be performed only by a qualified service technician. For service we suggest you return the machine to your nearest **AUTHORIZED SERVICE CENTER** for repair. Use only identical manufacturer's replacement parts and accessories.

## 6 ENVIRONMENTALLY SAFE BATTERY DISPOSAL



The toxic and corrosive materials below are in the batteries used in this machine: **Lithium-Ion, a toxic material.**

### ▲ WARNING

Discard all toxic materials in a specified manner to prevent contamination of the environment. Before discarding damaged or worn out Li-ion battery, contact your local waste disposal agency, or the local Environmental Protection Agency for information and specific instructions. Take the batteries to a local recycling and/or disposal center, certified for lithium-ion disposal.

### ▲ WARNING

If the battery pack cracks or breaks, with or without leaks, do not recharge it and do not use. Discard it and replace with a new battery pack. **DO NOT TRY TO REPAIR IT!** To prevent injury and risk of fire, explosion, or electric shock, and to avoid damage to the environment:

- Cover the terminals of the battery with heavy-duty adhesive tape.
- **DO NOT** try to remove or destroy any of the battery pack components.
- **DO NOT** try to open the battery pack.
- If a leak develops, the released electrolytes are corrosive and toxic. **DO NOT** get the solution in the eyes or on skin, and do not swallow it.
- **DO NOT** put these batteries in your regular household trash.
- **DO NOT** incinerate.
- **DO NOT** put them where they will become part of any waste landfill or municipal solid waste stream.
- Take them to a certified recycling or disposal center.

## 7 PROPOSITION 65

### ▲ WARNING

This product contains a chemical known to the state of California to cause cancer, birth defects or other reproductive harm. Some dust created by power sanding, sawing, grinding, drilling, and other construction activities contains chemicals known to cause cancer, birth defects or other reproductive harm. Some examples of these chemicals are:

- Lead from lead-based paints;
- Crystalline silica from bricks and cement and other masonry products;
- Arsenic and chromium from chemically treated lumber.

Your risk of exposure to these chemicals varies depending on how often you do this type of work. To reduce your exposure to these chemicals, work in a well-ventilated area, and work with approved safety equipment, such as dust masks that are specially designed to filter out microscopic particles.

## 8 INSTALLATION

### 8.1 UNPACK THE MACHINE

### ▲ WARNING

Make sure that you correctly assemble the machine before use.

**▲ WARNING**

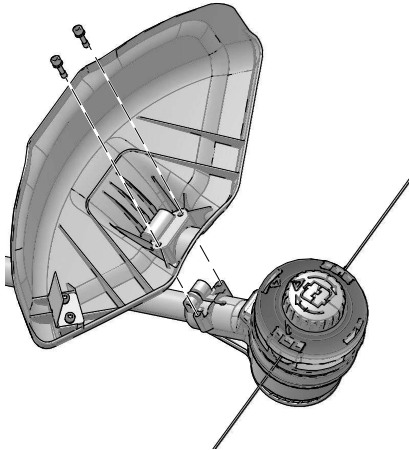
- If parts of the machine are damaged, do not use the machine.
- If you do not have all the parts, do not operate the machine.
- If parts are damaged or missing, contact the service center.

1. Open the package.
2. Read the documentation provided in the box.
3. Remove all the unassembled parts from the box.
4. Remove the machine from the box.
5. Discard the box and packing material in compliance with local regulations.

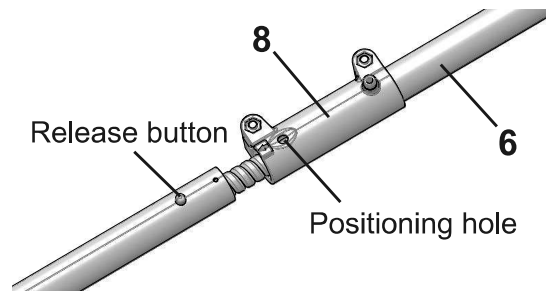
**8.2 ATTACH THE GUARD****▲ WARNING**

Do not touch the cut-off blade.

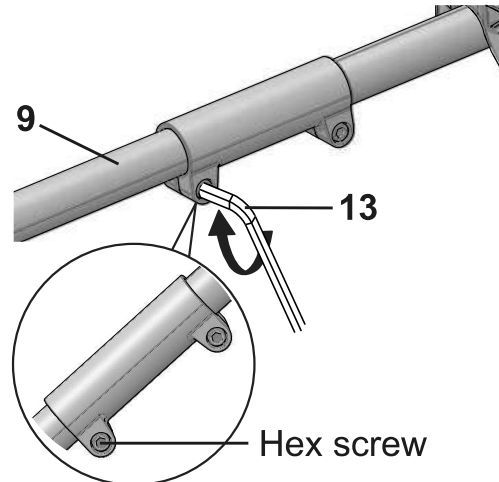
1. Remove the screws from the trimmer head with the supplied hex wrench.
2. Put the guard onto the trimmer head.
3. Align the screw holes on the guard with the screw holes on the trimmer head.
4. Tighten the screws.

**8.3 ASSEMBLE THE SHAFT**

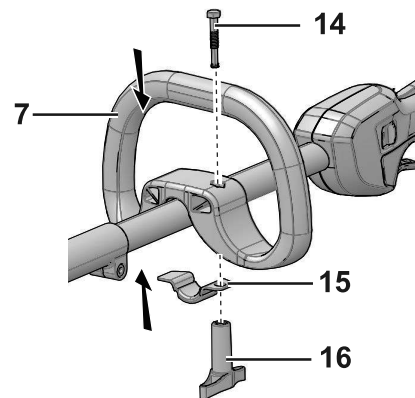
1. Loosen the screw on the coupler (8).
2. Push in the release button on the lower shaft (9).
3. Align the release button with the positioning hole and slide the two shafts together.



4. Turn the lower shaft until the button locks into the positioning hole.
5. Tighten the screw with the hex wrench (13).

**8.4 ATTACH THE AUXILIARY HANDLE**

1. Remove the knob (16) from the handle.
2. Attach the auxiliary handle and lower clamp (15) on the shaft.
3. Set the auxiliary handle in the comfortable position.
4. Put the bolt (14) through the holes.
5. Tighten the auxiliary handle with the knob.

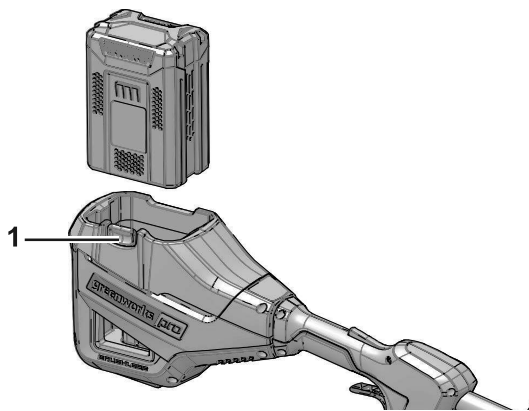


## 8.5 INSTALL THE BATTERY PACK

### ▲ WARNING

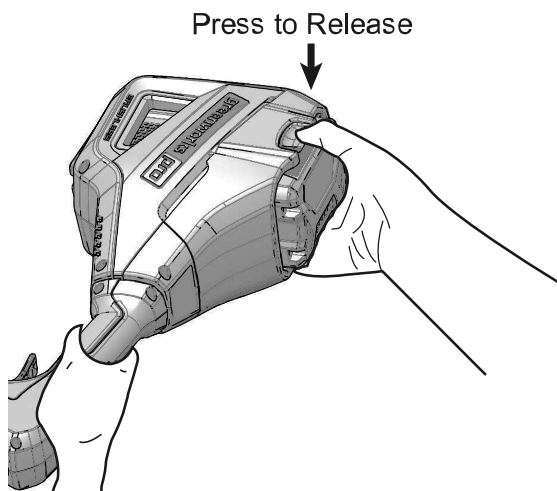
- If the battery pack or charger is damaged, replace the battery pack or the charger.
- Stop the machine and wait until the motor stops before you install or remove the battery pack.
- Read and understand the instructions in the battery and charger manual.

1. Align the lift ribs on the battery pack with the grooves in the battery compartment.
2. Push the battery pack into the battery compartment until the battery pack locks into place.
3. When you hear a click, the battery pack is installed.



## 8.6 REMOVE THE BATTERY PACK

1. Push and hold the battery release button (1).
2. Remove the battery pack from the machine.



## 9 OPERATION

### i IMPORTANT

Before you operate the machine, read and understand the safety regulations and the operation instructions.

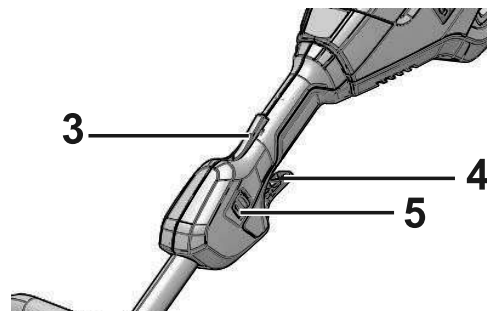
### ▲ WARNING

Be careful when you operate the machine.

## 9.1 CONTROLS

## 9.2 START THE MACHINE

1. Push the lock-out button (3) and pull the trigger (4).



2. Push the speed switch (5) to the desired operating speed. Push the speed switch to position 1 for low speed or position 2 for high speed.

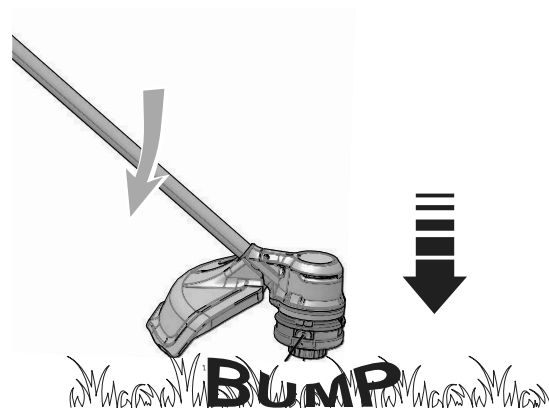
## 9.3 STOP THE MACHINE

1. Release the trigger to stop the machine.

## 9.4 ADJUST THE LENGTH OF THE CUTTING LINE

While you operate the machine, the cutting line gets worn shorter. You can adjust the length of the cutting line.

1. Hit the trimmer head against the ground while you operate the machine.
2. Line is automatically released and the cut-off blade cuts the excess length.





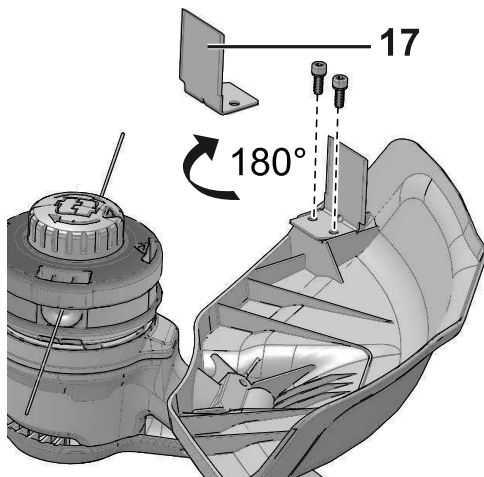
## 9.5 ADJUST THE CUTTING DIAMETER

### **i** NOTE

The machine is set at a 14 in. (35.6 cm) cutting diameter. You can adjust to a 16 in. (40.6 cm) cutting diameter.

Set the cutting diameter to 14 in. (35.6 cm) for greater runtime and 16 in. (40.6 cm) for a larger cutting area.

1. Remove the battery pack.
2. Remove the blade screws from the cut-off blade (17).
3. Turn the cut-off blade 180°.
4. Tighten the blade screws.



## 9.6 LINE CUT-OFF BLADE

This trimmer is equipped with a line cut-off blade (17) on the guard. The line cut off blade continuously trims the line to ensure a consistent and efficient cut diameter. Advance line whenever you hear the motor running faster than normal, or when trimming efficiency diminishes. This will maintain best performance and keep line long enough to advance properly.

## 9.7 OPERATION TIPS

### **▲** WARNING

Keep clearance between the body and the machine.

### **▲** WARNING

Do not operate the machine without guard in place.

### Do these tips when you use the machine

- Keep a firm hold with the two hands on the machine while the string head is spinning.
- Cut tall grass from the top down.

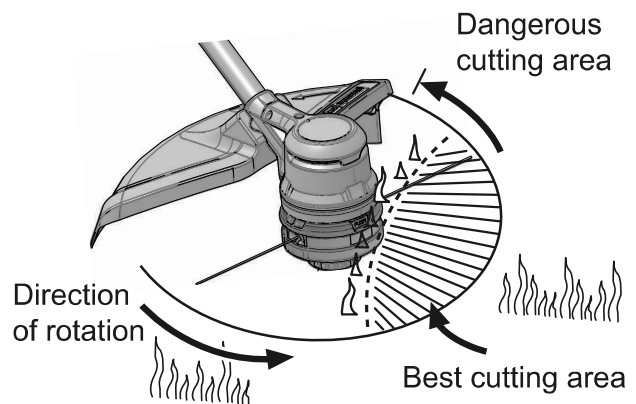
### If grass winds around the trimmer head:

- Remove the battery pack.
- Remove the grass.



## 9.8 CUTTING TIPS

- Tilt the machine toward the area to be cut. Use the tip of the cutting line to cut grass.
- Move the machine from right to left to prevent thrown debris from hitting the operator.
- Do not cut in the danger area.
- Do not force the trimmer head into uncut grass.
- Wire and picket fences cause cutting line wear and breakage. Stone and brick walls, curbs, and wood can wear the cutting line quickly.



## 10 MAINTENANCE

### **i** IMPORTANT

Read and understand the safety regulations and the maintenance instructions before you clean, repair or do the maintenance work on the machine.

**i IMPORTANT**

Make sure that all nuts, bolts and screws are tight. Examine regularly that you install the handles tightly.

**i IMPORTANT**

Use only the replacement parts and accessories of the initial manufacturer.

**10.1 GENERAL INFORMATION****i IMPORTANT**

Only your dealer or approved service center can perform maintenance that is not given in this manual.

Before the maintenance operations:

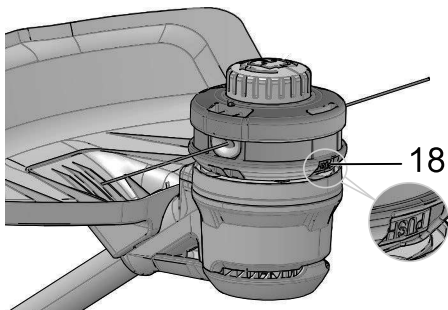
- Stop the machine.
- Remove the battery pack.
- Cool the motor.
- Store the machine in cool and dry place.
- Use correct clothing, protective gloves and safety glasses.

**10.2 CLEAN THE MACHINE**

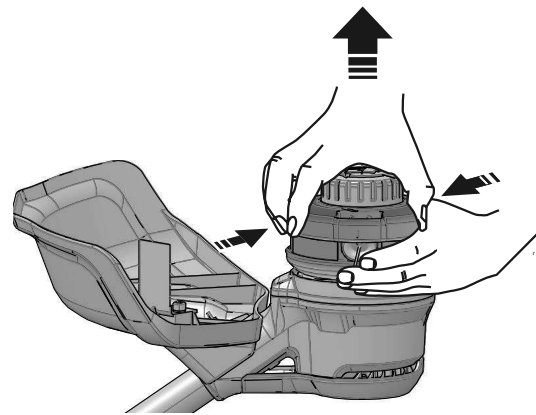
- Clean the machine after use with a moist cloth dipped in neutral detergent.
- Do not use aggressive detergents or solvents to clean the plastic parts or handles.
- Keep the trimmer head free of grass, leaves, or excessive grease.
- Keep the air vents clean and free of debris to avoid overheating and damage to the motor or the battery.
- Do not spray water onto the motor and electrical components.

**10.3 REPLACE EXCESS LINE**

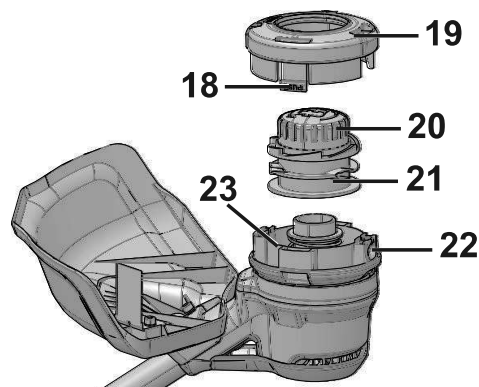
1. Push the tabs (18) on the sides of the trimmer head at the same time.



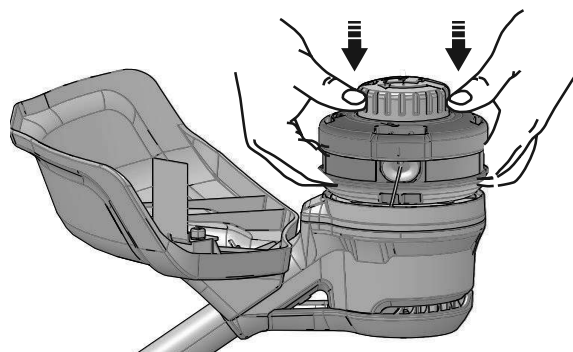
2. Pull and remove the spool cover (19).



3. Remove the remaining spool (21).
4. Clean dirt and debris from all parts. Replace spool if it is worn or damaged.

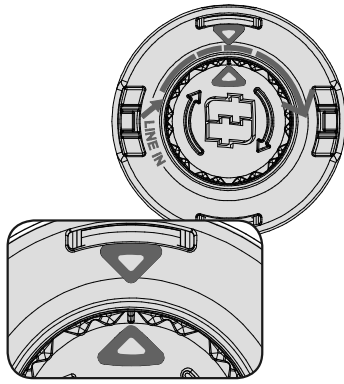


5. Push the tabs and install the spool cover onto the spool housing.
6. Push the spool cover until it clicks into position.

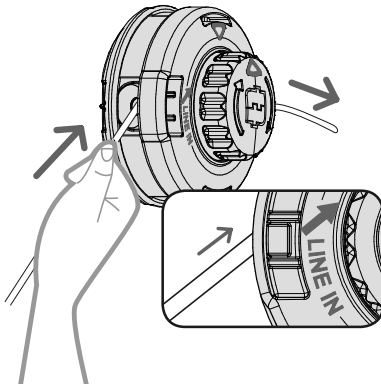
**10.4 INSTALL THE CUTTING LINE****i NOTE**

Do not put more than 15 feet of cutting line in at a time.

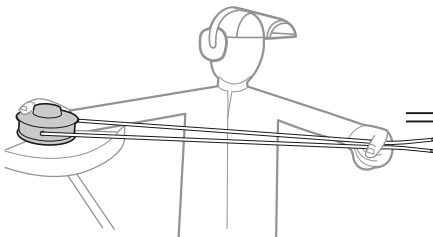
1. Remove the remaining cutting line on the spool.
2. Line up the slots on the spool cap with the slots on the trimmer head.



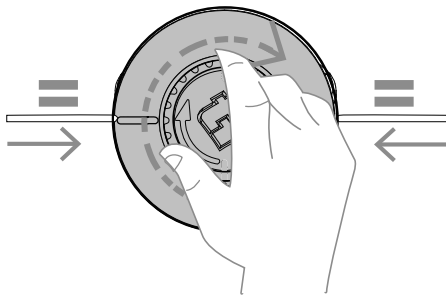
3. Put the cutting line through the hole. Push the cutting line until it exits the opposite hole.



4. Pull the cutting line through until there is an equal quantity of cutting line on each side.



5. Turn the spool cap clock-wise to wind the cutting line into the trimmer head. Keep approximately 5 in of cutting line above out of each side of the trimmer head.



## 11 TRANSPORTATION AND STORAGE

### ▲ WARNING

Remove the battery pack from the machine before transportation and storage.

### 11.1 MOVE THE MACHINE

When you move the machine, you must:

- Stop the machine.
- Remove the battery pack.

### 11.2 STORE THE MACHINE

- Remove the battery pack from the machine.
- Make sure that children cannot come near the machine.
- Keep the machine away from corrosive agents such as garden chemicals and de-icing salts.
- Secure the machine during transportation to prevent damage or injury. Clean and examine the machine for any damage.

## 12 TECHNICAL DATA

Type	Cordless, battery powered
Motor	80V
No load speed	6000 / 5000 (±10%) RPM
Cutting line diameter	0.095" / 0.080" (2.4 mm / 2.0 mm)
Cutting path diameter	14 in. /16 in. (35.6 cm / 40.6 cm)
Feed Type	Bump Feed
Weight (without battery pack)	7.9 lbs (3.6 kg)
Battery model	BAB727 and other BAB series
Charger model	GCH8020 and other CAB series

### The recommended ambient temperature range:

Item	Temperature
String trimmer storage temperature range	32°F (0°C) - 113°F (45°C)
String trimmer operation temperature range	32°F (0°C) - 113°F (45°C)
Battery charging temperature range	39°F (4°C) - 104°F (40°C)
Charger operation temperature range	39°F (4°C) - 104°F (40°C)

Item	Temperature
Battery storage temperature range	32°F (0°C) - 113°F (45°C)
Battery discharging temperature range	32°F (0°C) - 113°F (45°C)

### 13 TROUBLESHOOTING

Problem	Possible Cause	Solution
The machine does not start when you push the trigger.	No electrical contact between the machine and the battery pack.	<ol style="list-style-type: none"> <li>1. Remove battery pack.</li> <li>2. Check contact and install the battery pack again.</li> </ol>
	The battery pack is depleted.	Charge the battery pack.
	The lock-out button and trigger are not pushed at the same time.	<ol style="list-style-type: none"> <li>1. Pull the lock-out button and hold it.</li> <li>2. Pull the trigger to start the machine.</li> </ol>
The machine stops when you cut.	The guard is not attached to the machine.	Remove the battery pack and attach the guard to the machine.
	Heavy cutting line is used.	Use only with the nylon cutting line of 0.095" / 0.080" (2.4 mm / 2.0 mm) diameter.
	Grass winds around the motor shaft or the trimmer head.	<ol style="list-style-type: none"> <li>1. Stop the machine.</li> <li>2. Remove the battery pack.</li> <li>3. Remove the grass from the motor shaft and trimmer head.</li> </ol>
	The motor is overloaded.	<ol style="list-style-type: none"> <li>1. Remove the trimmer head from the grass.</li> <li>2. The motor will recover to work as soon as the load is removed.</li> <li>3. When you cut, move the trimmer head in and out of the grass to be cut and remove no more than 8" in length of the grass being cut per pass.</li> </ol>
	The battery pack or machine is too hot.	<ol style="list-style-type: none"> <li>1. Cool the battery pack until its function returns to normal. This is best done by bringing the battery into the shade or indoors.</li> <li>2. Cool the machine for approximately 10 minutes. Remove the battery from the tool to help the tool cool down more quickly.</li> </ol>
	The battery pack is disconnected from the tool.	Install the battery pack again.
The line does not advance.	The battery pack is depleted.	Charge the battery pack.
	Lines are welded to themselves.	Lubricate with silicone spray.
	Not enough line on spool.	Install more line.
	Lines are worn too short.	Advance the cutting line by bumping the trimmer head.
Lines are tangled on spool.		<ol style="list-style-type: none"> <li>1. Remove the lines from the spool.</li> <li>2. Wind the lines.</li> </ol>

Problem	Possible Cause	Solution
The line keeps breaking.	The machine is used incorrectly.	1. Cut with the tip of the line, avoid stones, walls and other hard objects. 2. Advance the cutting line regularly to keep full cutting width.
The grass winds around the trimmer head and motor housing.	Cut tall grass at ground level.	1. Cut tall grass from the top down. 2. Remove no more than 8" in each pass to prevent wrapping.
The line does not cut well.	The cut-off blade becomes dull.	Sharpen the cut-off blade with a file or replace it.
Vibration increases obviously.	The line is worn down at one side and not advanced in time.	Make sure that the line on both sides is normal. Advance the line.

## 14 LIMITED WARRANTY



Greenworks hereby warrants this product, to the original purchaser with proof of purchase, for a period of four (4) years against defects in materials, parts or workmanship. Greenworks, at its own discretion will repair or replace any and all parts found to be defective, through normal use, free of charge to the customer. This warranty is valid only for units which have been used for personal use that have not been hired or rented for industrial/commercial use, and that have been maintained in accordance with the instructions in the owners' manual supplied with the product from new.

### ITEMS NOT COVERED BY WARRANTY:

1. Any part that has become inoperative due to misuse, commercial use, abuse, neglect, accident, improper maintenance, or alteration; or
2. The unit, if it has not been operated and/or maintained in accordance with the owner's manual; or
3. Normal wear, except as noted below;
4. Routine maintenance items such as lubricants, blade sharpening;
5. Normal deterioration of the exterior finish due to use or exposure.

### HELPLINE:

Warranty service is available by calling our toll-free helpline, at 1-855-345-3934.

### TRANSPORTATION CHARGES:

Transportation charges for the movement of any power equipment unit or attachment are the responsibility of the purchaser. It is the purchaser's responsibility to pay transportation charges for any part submitted for replacement under this warranty unless such return is requested in writing by Greenworks.

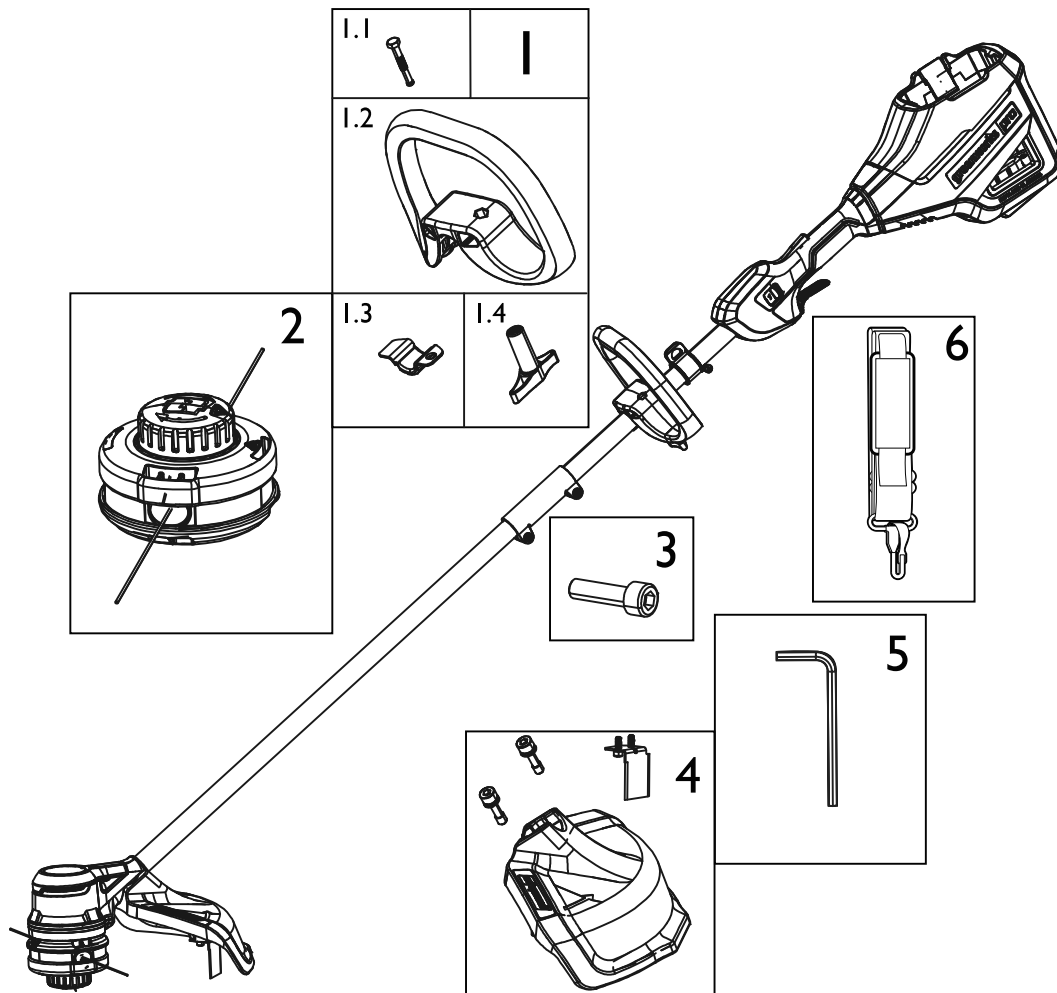
#### USA address:

Greenworks Tools  
P.O. Box 1238  
Mooresville, NC 28115

#### Canadian address:

Greenworks Tools Canada Inc.  
P.O. Box 93095, Newmarket,  
Ontario  
L3Y 8K3

15 EXPLODED VIEW



No.	Part No.	Qty	Description	No.	Part No.	Qty	Description
1	R0201836-00	1	Auxiliary Handle Assembly	2	R0202143-00	1	Trimmer Head Assembly
1.1	R0201826-00	1	Bolt	3	R0201830-00	1	Hex Screw
1.2	R0201827-00	1	Auxiliary handle	4	R0201881-00	1	Guard Assembly
1.3	R0201828-00	1	Bracket	5	R0201770-00	1	Allen key
1.4	R0200792-00	1	Knob				

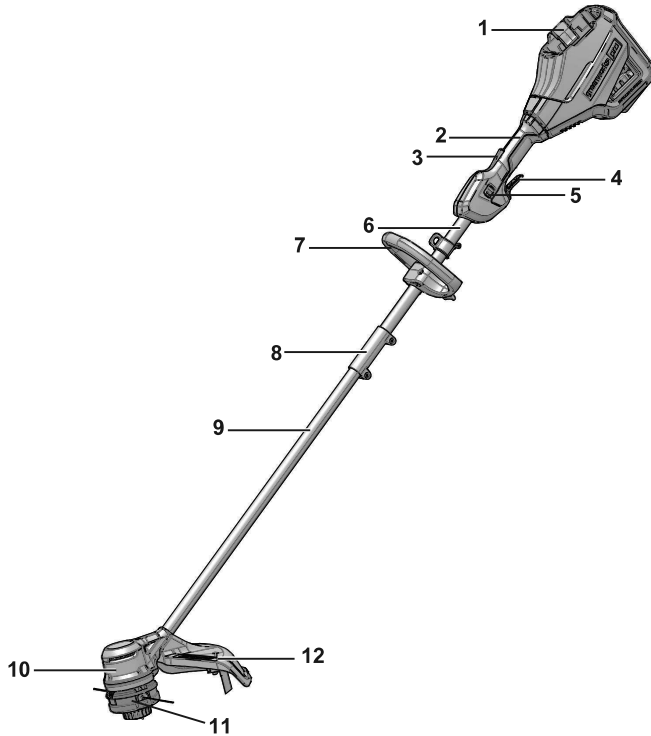
<p><b>1 Description..... 16</b></p> <p>1.1 But..... 16</p> <p>1.2 Aperçu..... 16</p> <p>1.3 Liste du contenu de l’emballage..... 16</p> <p><b>2 Important safety instructions..... 16</b></p> <p><b>3 Symboles figurant sur la machine..... 17</b></p> <p><b>4 Niveaux de risques.....18</b></p> <p><b>5 Service..... 18</b></p> <p><b>6 Élimination des batteries sans danger pour l'environnement.....18</b></p> <p><b>7 Proposition 65..... 19</b></p> <p><b>8 Installation..... 19</b></p> <p>8.1 Déballez la machine..... 19</p> <p>8.2 Attachez la garde protectrice..... 19</p> <p>8.3 Assemblez l'arbre.....19</p> <p>8.4 Attachez la poignée auxiliaire..... 20</p> <p>8.5 Installer le bloc-batterie..... 20</p> <p>8.6 Retirer le bloc-batterie..... 20</p> <p><b>9 Utilisation..... 20</b></p>	<p>9.1 Commandes..... 20</p> <p>9.2 Démarrer la machine..... 20</p> <p>9.3 Arrêter la machine..... 21</p> <p>9.4 Réglez la longueur de la ligne de coupe..... 21</p> <p>9.5 Réglez le diamètre de coupe.....21</p> <p>9.6 Lame de coupe de la ligne..... 21</p> <p>9.7 Conseils sur l'utilisation.....21</p> <p>9.8 Conseils de coupe ..... 22</p> <p><b>10 Entretien.....22</b></p> <p>10.1 Informations générales..... 22</p> <p>10.2 Nettoyez la machine..... 22</p> <p>10.3 Remplacez la ligne excédentaire..... 22</p> <p>10.4 Installez la ligne de coupe..... 23</p> <p><b>11 Transport et entreposage..... 24</b></p> <p>11.1 Déplacez la machine..... 24</p> <p>11.2 Entrez la machine..... 24</p> <p><b>12 Données techniques..... 24</b></p> <p><b>13 Dépannage.....25</b></p> <p><b>14 Garantie limitée..... 26</b></p> <p><b>15 Vue éclatées..... 27</b></p>
--	---

## 1 DESCRIPTION

### 1.1 BUT

Cette machine est utilisée pour couper l'herbe, les mauvaises herbes légères et d'autres végétaux similaires au niveau du sol ou à proximité. La surface de coupe doit être approximativement parallèle à la surface du sol. Vous ne pouvez pas utiliser la machine pour couper ou hacher des haies, des arbustes, des buissons, des fleurs et du compost.

### 1.2 APERÇU



- 1 Bouton d'éjection de la batterie
- 2 Poignée arrière
- 3 Bouton de verrouillage
- 4 Gâchette
- 5 Interrupteur de vitesse
- 6 Arbre supérieur
- 7 Poignée auxiliaire
- 8 Coupleur
- 9 Arbre inférieur
- 10 Boîtier du moteur
- 11 Tête de coupe
- 12 Garde protectrice

### 1.3 LISTE DU CONTENU DE L'EMBALLAGE

- 1 Taille-bordures (outil seulement)
- 2 Poignée auxiliaire
- 3 Garde protectrice
- 4 Clé Allen
- 5 Manuel

6 Bandoulière

## 2 IMPORTANT SAFETY INSTRUCTIONS

**READ ALL INSTRUCTIONS BEFORE USING (THIS POWER TOOL)**

### ▲ AVERTISSEMENT

**Read and understand all instructions before using this product.** Failure to follow all instructions listed below may result in electric shock, fire, and/or serious personal injury.

- Use only identical manufacturer's replacement parts and accessories. Use of any other parts may create a hazard or cause product damage.
- Always wear safety glasses with side shields marked to comply with ANSI Z87.1. Everyday glasses have only impact resistant lenses. They are NOT safety glasses. Following this rule will reduce the risk of eye injury. Use face mask if operating in dusty work spaces.
- Avoid Dangerous Environment – Don't expose power tools to damp or wet conditions. Water entering a power tool will increase the risk of electric shock.
- Don't use in rain.
- Keep all bystanders, children, and pets at least 50 ft. away.
- Dress Properly – Do not wear loose clothing or jewelry. They can be caught in moving parts. Use of rubber gloves and substantial footwear is recommended when working outdoors. Wear protective hair covering to contain long hair.
- Use right Appliance. Do not use appliance for any job except that for which it is intended.
- Avoid Unintentional Starting – Don't carry appliance with finger on switch. Be sure switch is off when battery is plugged in.
- Don't Force Appliance – It will do the job better and with less likelihood of a risk of injury at the rate for which it was designed.
- Don't overreach – Keep proper footing and balance at all times.
- Stay alert – Watch what you are doing. Use common sense. Do not operate this unit when you are tired, ill or under the influence of alcohol, drugs or medication.
- Always store idle power tools indoors – When not in use, power tools should be stored indoors in a dry and high or locked-up place, out of reach of children.
- Maintain Appliance With Care – Replace string head if cracked, chipped, or damaged in any way. Be sure the string head is properly installed and securely fastened. Keep cutting edge sharp and clean for best performance and to reduce the risk of injury. Follow instructions for lubricating and changing accessories. Inspect appliance cord periodically, and if damaged, have it repaired by an authorized service facility. Inspect extension cords periodically and replace if damaged. Keep handles dry,



clean, and free from oil and grease. Failure to do so can cause serious injury.







- Check damaged parts before using the appliance, a guard or other part that is damaged should be carefully checked to determine that it will operate properly and perform its intended function. Check for alignment of moving parts, binding of moving parts, breakage of parts, damaged mountings, and any other condition that may affect its operation. A guard or other part that is damaged should be properly repaired or replaced by an authorized service center unless indicated elsewhere in this manual.
- Remove or disconnect battery before servicing, cleaning or removing material from the gardening appliance.
- Do not modify or attempt to repair the appliance or the battery pack (as applicable) except as indicated in the instructions for use and care. Use appliances only with specifically designated battery packs. Use of any other battery packs may create a risk of injury and fire. Use only with Greenworks BAB727 battery or other BAB series.
- Recharge only with the charger specified by the manufacturer. A charger that is suitable for one type of battery pack may create a risk of fire when used with another battery pack. Use only with Greenworks GCH8020 charger or other CAB series.
- When battery pack is not in use, keep it away from other metal objects, like paper clips, coins, keys, nails, screws or other small metal objects, that can make a connection from one terminal to another. Shorting the battery terminals together may cause a fire.
- Under abusive conditions, liquid may be ejected from the battery; avoid contact. If contact accidentally occurs, flush with water. If liquid contacts eyes, additionally seek medical help. Liquid ejected from the battery may cause irritation or burns.
- Do not use a battery pack or appliance that is damaged or modified. Damaged or modified batteries may exhibit unpredictable behavior resulting in fire, explosion or risk of injury.
- Do not expose a battery pack or appliance to fire or excessive temperature. Exposure to fire or temperature above 265 °F (130 °C) may cause an explosion.
- Do not dispose of the batteries in a fire. The cells may explode. Check with local codes for possible special disposal instructions.
- Do not open or mutilate the batteries. Released electrolyte is corrosive and may cause damage to the eyes or skin. It may be toxic if swallowed.
- Exercise care in handling batteries in order not to short the battery with conducting materials such as rings, bracelets, and keys. The battery or conductor may overheat and cause burns.
- Follow all charging instructions and do not charge the battery pack or appliance outside of the temperature range specified in the instructions. Charging improperly or at temperatures outside of the specified range may damage the battery and increase the risk of fire.



- Have servicing performed by a qualified repair person using only identical replacement parts. This will ensure that the safety of the product is maintained.
- Keep guards in place and in working order.
- Keep hands and feet away from cutting area.
- Disconnect the battery pack from the appliance before making any adjustments, changing accessories, or storing appliance. Such preventive safety measures reduce the risk of starting the appliance accidentally.
- Use only with the nylon cutting line of 0.095" / 0.080" (2.4 mm / 2.0 mm) diameter. Do not use heavier lines than recommended by the manufacturer and line materials of other types – for example, metal wire, rope, and the like.

**SAVE THESE INSTRUCTIONS**

### 3 SYMBOLES FIGURANT SUR LA MACHINE




Certains des symboles suivants peuvent être utilisés sur cette machine. Veuillez les étudier et apprendre leur signification. Une bonne interprétation de ces symboles vous permettra de mieux utiliser l'outil et de manière plus sécuritaire.

Symbole	Explication
V	Voltage
A	Courant
Hz	Fréquence (cycles par seconde)
W	Puissance
min	Heure
/min	Tours, coups, vitesse périphérique, orbites, etc., par minute
	Courant direct
	Précautions destinées à assurer la sécurité.
	Lisez et comprenez toutes les instructions avant d'utiliser cette machine, et suivez tous les avertissements et les consignes de sécurité.
	Portez toujours des lunettes de sécurité dont les écrans latéraux sont conformes à la norme ANSI Z87.1. lorsque vous utilisez cette machine.
	Ne pas exposer la machine à la pluie ou à l'humidité.
	Tenez tous les curieux à une distance d'au moins 15 m (50 pi).

Symbole	Explication
	N'installez ou n'utilisez aucun type de lame sur une machine qui affiche ce symbole.
	Les objets projetés peuvent ricocher et causer des blessures corporelles ou des dommages matériels.

## 4 NIVEAUX DE RISQUES

Les termes de mise en garde suivants et leur signification ont pour but d'expliquer les niveaux de risques associés à l'utilisation de ce produit.

SYMBOLE	SIGNAL	SIGNIFICATION
	DANGER	Indique une situation dangereuse imminente qui, si elle n'est pas évitée, peut entraîner la mort ou des blessures graves.
	AVERTISSEMENT	Indique une situation potentiellement dangereuse qui, si elle n'est pas évitée, peut entraîner la mort ou des blessures graves.
	MISE EN GARDE	Indique une situation potentiellement dangereuse qui, si elle n'est pas évitée, pourrait causer des blessures mineures ou modérées.
	MISE EN GARDE	(Sans symbole d'alerte de sécurité) indique une situation pouvant entraîner des dommages matériels.

## 5 SERVICE

L'entretien nécessite un soin extrême et une connaissance approfondie du système, et ne doit être effectué que par un technicien qualifié. Pour l'entretien, nous vous suggérons de retourner la machine à votre CENTRE DE SERVICE AUTORISÉ le plus proche pour réparation. Utilisez uniquement des pièces de rechange et des accessoires identiques du fabricant.

## 6 ÉLIMINATION DES BATTERIES SANS DANGER POUR L'ENVIRONNEMENT



Les matières toxiques et corrosives ci-dessous se trouvent dans les batteries utilisées dans cette machine : **Lithium-ion, une substance toxique.**

### ▲ AVERTISSEMENT

Éliminez toutes les substances toxiques d'une manière spécifiée afin de prévenir la contamination de l'environnement. Avant de jeter une batterie au lithium-ion endommagée ou usée, contactez votre agence locale d'élimination des déchets ou l'agence locale de protection de l'environnement pour obtenir des informations et des instructions spécifiques. Apportez les batteries à un centre local de recyclage ou d'élimination certifié pour l'élimination de batteries au lithium-ion.

### ▲ AVERTISSEMENT

Si la batterie se fend ou se brise, avec ou sans fuites, ne la rechargez pas et ne l'utilisez pas. Jetez-la et remplacez-la par une nouvelle batterie. **N'ESSAYEZ PAS DE LA RÉPARER !** Pour prévenir les blessures et les risques d'incendie, d'explosion ou de décharge électrique, et pour éviter tout dommage à l'environnement :

- Couvrez les bornes de la batterie avec du ruban adhésif résistant.
- NE PAS essayer d'enlever ou de détruire les composants de la batterie.
- NE PAS essayer d'ouvrir ou de réparer la batterie.
- En cas de fuite, les électrolytes rejetés sont corrosifs et toxiques. NE laissez PAS entrer la solution dans les yeux ou en contact avec la peau et ne l'avalez pas.
- NE PAS jeter vos batteries usagées dans votre poubelle à ordures ménagères.
- N'incinerez PAS les batteries.
- NE LES Mettez PAS dans un endroit où ils feront partie d'un site d'enfouissement de déchets ou d'un flux de déchets solides municipaux.
- Emmenez-les dans un centre de recyclage ou d'élimination certifié.

## 7 PROPOSITION 65

### ▲ AVERTISSEMENT

Ce produit contient un produit chimique connu dans l'état de Californie comme étant une cause de cancer, de malformations congénitales ou d'autres problèmes de reproduction. Certaines poussières produites par le ponçage mécanique, le sciage, le meulage, le perçage et d'autres activités de construction contiennent des produits chimiques connus pour causer le cancer, des malformations congénitales ou d'autres problèmes de reproduction. Voici quelques exemples de ces produits chimiques :

- Plomb provenant de peintures à base de plomb;
- Silice cristalline provenant de briques, de ciment et d'autres produits de maçonnerie;
- Arsenic et chrome provenant de bois traité chimiquement.

Votre risque d'exposition à ces produits chimiques varie selon la fréquence à laquelle vous faites ce type de travail. Pour réduire votre exposition à ces produits chimiques, travaillez dans un endroit bien ventilé et utilisez un équipement de sécurité approuvé, comme des masques anti-poussière spécialement conçus pour filtrer les particules microscopiques.

## 8 INSTALLATION

### 8.1 DÉBALLER LA MACHINE

#### ▲ AVERTISSEMENT

Assurez-vous d'assembler correctement la machine avant de l'utiliser.

#### ▲ AVERTISSEMENT

- Si les pièces de la machine sont endommagées, ne l'utilisez pas.
- Si vous n'avez pas toutes les pièces, n'utilisez pas la machine.
- Si des pièces sont endommagées ou manquantes, communiquez avec le centre de service.

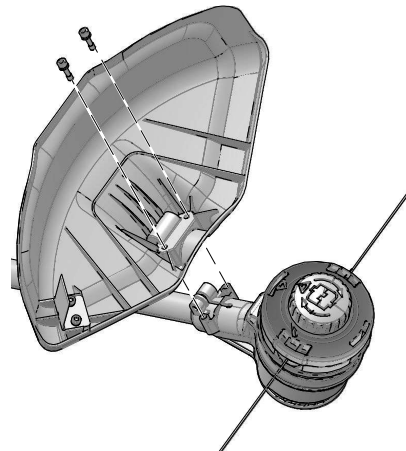
1. Ouvrez l'emballage.
2. Lisez la documentation contenue dans la boîte.
3. Retirez toutes les pièces non assemblées de la boîte.
4. Retirez la machine de sa boîte.
5. Jetez la boîte et l'emballage conformément aux règlements locaux.

### 8.2 ATTACHEZ LA GARDE PROTECTRICE

#### ▲ AVERTISSEMENT

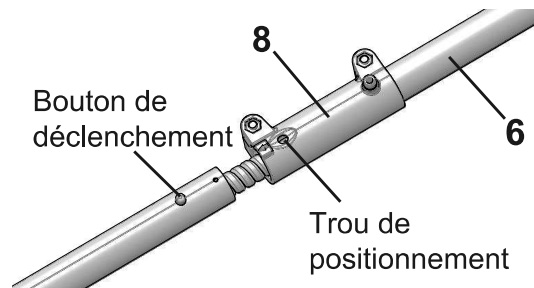
Ne touchez pas la lame de coupe.

1. Retirez les vis de la tête de coupe à l'aide de la clé hexagonale fournie.
2. Placez la garde protectrice sur la tête de coupe.
3. Alignez les trous de vis sur la garde protectrice avec les trous de vis sur la tête de coupe.
4. Serrez les vis.

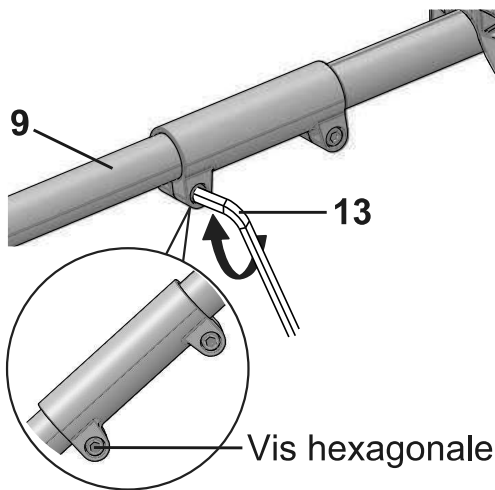


### 8.3 ASSEMBLEZ L'ARBRE

1. Desserrez la vis sur le coupleur (8).
2. Enfoncez le bouton de déclenchement sur l'arbre inférieur (9).
3. Alignez le bouton de déclenchement avec le trou de positionnement et glissez les deux arbres ensemble.

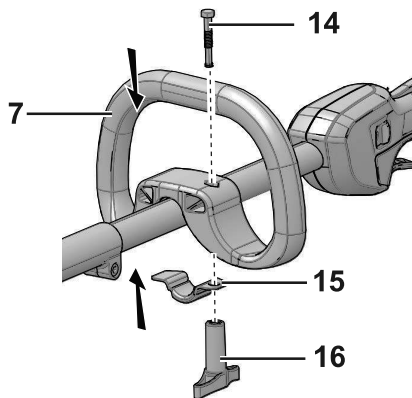


4. Tournez l'arbre inférieur jusqu'à ce que le bouton s'enclenche dans le trou de positionnement.
5. Serrez la vis avec une clé Hex (13).



## 8.4 ATTACHEZ LA POIGNÉE AUXILIAIRE

1. Retirez le bouton (16) de la poignée.
2. Attachez la poignée auxiliaire et abaissez la bride (15) sur le manche.
3. Placez la poignée auxiliaire dans une position confortable.
4. Introduisez le boulon (14) dans les trous.
5. Serrez la poignée auxiliaire à l'aide du bouton.



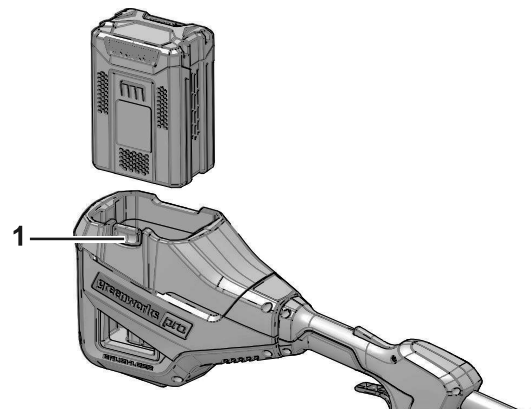
## 8.5 INSTALLER LE BLOC-BATTERIE

### ⚠ AVERTISSEMENT

- Si le bloc-batterie ou le chargeur est endommagé, remplacez-le, au besoin.
- Arrêtez la machine et attendez que le moteur s'arrête avant d'installer ou de retirer le bloc-batterie.
- Lisez et comprenez les instructions du manuel du bloc-batterie et du chargeur.

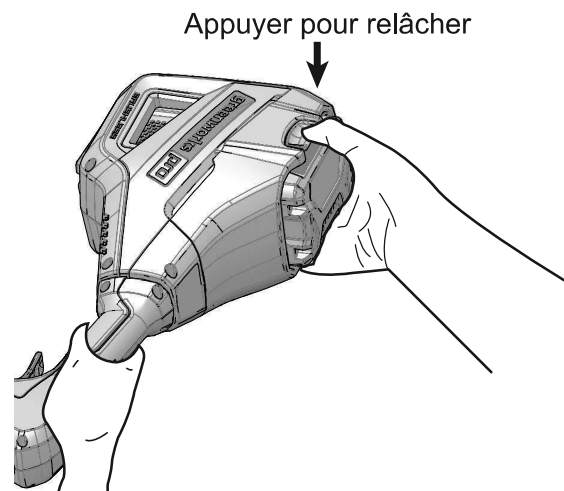
1. Alignez les languettes du bloc-batterie avec les rainures du compartiment de batterie.
2. Poussez le bloc-batterie dans le compartiment de batterie jusqu'à ce qu'il soit bien encliqueté.

3. Vous devriez entendre un clic lorsque le bloc-batterie sera inséré correctement.



## 8.6 RETIRER LE BLOC-BATTERIE

1. Poussez et maintenez enfoncé le bouton de déblocage de la batterie (1).
2. Retirez le bloc-batterie de la machine.



## 9 UTILISATION

### i IMPORTANT

Avant d'utiliser la machine, lisez et comprenez les consignes de sécurité et les instructions d'utilisation.

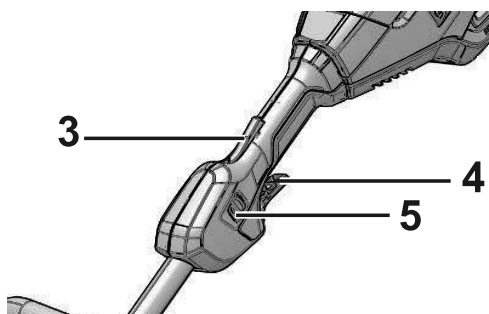
### ⚠ AVERTISSEMENT

Soyez prudent lorsque vous utilisez la machine.

### 9.1 COMMANDES

### 9.2 DÉMARRER LA MACHINE

1. Appuyez sur le bouton de verrouillage (3) et tirez la gâchette (4).



2. Poussez l'interrupteur de vitesse (5) sur la vitesse de fonctionnement désirée. Poussez l'interrupteur de vitesse en position 1 pour la vitesse lente ou en position 2 pour la vitesse élevée.

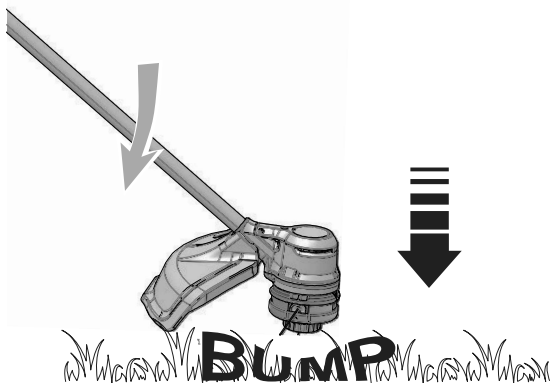
### 9.3 ARRÊTER LA MACHINE

1. Lâchez la gâchette pour arrêter la machine.

### 9.4 RÉGLEZ LA LONGUEUR DE LA LIGNE DE COUPE

Lorsque vous utilisez la machine, la ligne de coupe s'use plus rapidement. Vous pouvez régler la longueur de la ligne de coupe.

1. Frappez la tête de coupe contre le sol pendant que vous utilisez la machine.
2. La ligne est automatiquement débloquée et la lame de coupe la longueur excédentaire.



### 9.5 RÉGLEZ LE DIAMÈTRE DE COUPE

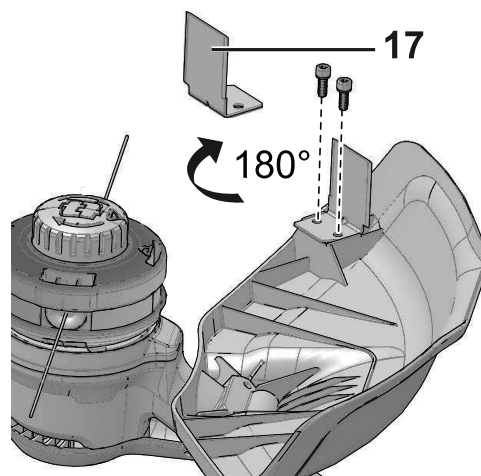
#### **i** REMARQUE

La machine est réglée avec un diamètre de coupe de 14 in. (35.6 cm). Vous pouvez régler le diamètre de coupe à 16 in. (40.6 cm).

Réglez le diamètre de coupe à 14 in. (35.6 cm) pour une plus grande autonomie et à 16 in. (40.6 cm) pour une plus grande surface de coupe.

1. Retirez le bloc-batterie.
2. Retirez les vis de la lame de la lame de coupe (17).

3. Tournez la lame de coupe de 180°.
4. Serrez les vis de la lame.



### 9.6 LAME DE COUPE DE LA LIGNE

Ce coupe-herbe est équipé d'une lame de coupe (17) sur la garde protectrice. La lame de coupe de la ligne coupe en continu la ligne pour assurer un diamètre de coupe constant et efficace. Avancez la ligne chaque fois que vous entendez le moteur tourner plus vite que d'habitude, ou lorsque l'efficacité du réglage diminue. Cela permettra de maintenir une meilleure performance et de garder la ligne assez longue pour couper correctement.

### 9.7 CONSEILS SUR L'UTILISATION

#### ▲ AVERTISSEMENT

Respectez l'espace libre entre le corps et la machine.

#### ▲ AVERTISSEMENT

N'utilisez pas la machine sans la garde protectrice en place.

#### Voici quelques conseils pour l'utilisation de la machine

- Tenez fermement la machine avec les deux mains pendant que la tête de coupe tourne.
- Coupez l'herbe haute du haut vers le bas.

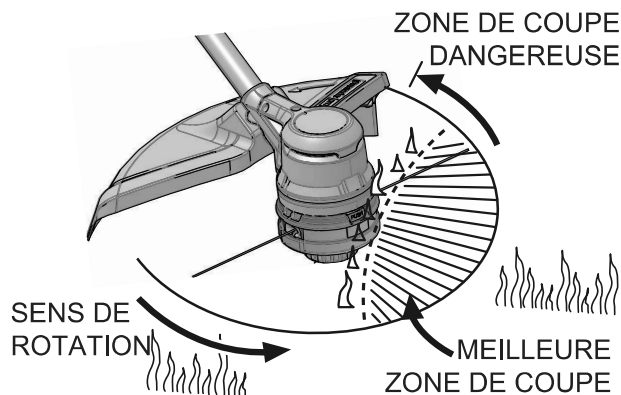
#### Si l'herbe s'enroule autour de la tête de coupe :

- Retirez le bloc-batterie.
- Retirez l'herbe.



## 9.8 CONSEILS DE COUPE

- Inclinez la machine vers la zone à couper. Utilisez l'extrémité de la ligne de coupe pour couper l'herbe.
- Déplacez la machine de la droite vers la gauche pour éviter que des débris ne frappent l'opérateur.
- Ne coupez pas dans la zone dangereuse.
- Ne forcez pas la tête de coupe dans l'herbe non coupée.
- Les fils de fer et les clôtures de piquets causent l'usure et la rupture de la ligne de coupe. Les pierres et les murs de brique, les bordures et le bois peuvent user rapidement la ligne de coupe.



## 10 ENTRETIEN

### **i** IMPORTANT

Lisez et comprenez les consignes de sécurité et les instructions d'entretien avant de nettoyer, de réparer ou d'effectuer des travaux d'entretien sur la machine.

### **i** IMPORTANT

Assurez-vous que tous les écrous, les boulons et les vis sont bien serrés. Vérifiez régulièrement que les poignées sont bien serrées.

### **i** IMPORTANT

Utilisez uniquement les pièces de rechange et les accessoires du fabricant initial.

## 10.1 INFORMATIONS GÉNÉRALES

### **i** IMPORTANT

Seul votre concessionnaire ou un centre de service agréé peut effectuer l'entretien qui n'est pas indiqué dans ce manuel.

Avant les opérations d'entretien :

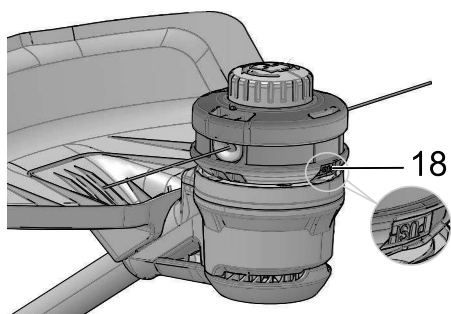
- Arrêtez la machine.
- Retirez le bloc-batterie.
- Laissez le moteur se refroidir.
- Entreposez la machine dans un endroit frais et sec.
- Portez des vêtements, des gants de protection et des lunettes de sécurité appropriés.

## 10.2 NETTOYEZ LA MACHINE

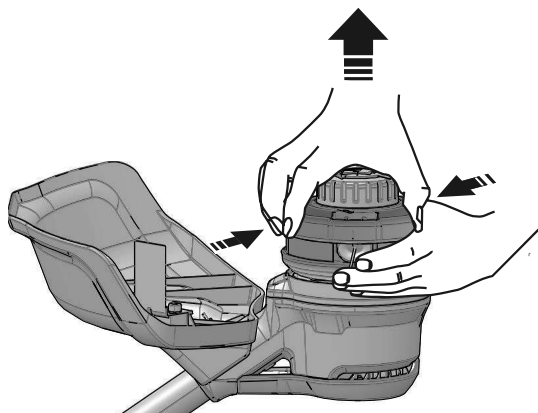
- Nettoyez la machine après utilisation avec un chiffon humide trempé dans un détergent neutre.
- N'utilisez pas de détergents ou de solvants agressifs pour nettoyer les pièces en plastique ou les poignées.
- Gardez la tête de coupe exempte d'herbe, de feuilles ou de graisse excessive.
- Gardez les événements d'aération propres et exempts de débris pour éviter la surchauffe et les dommages au moteur ou à la batterie.
- Ne pulvérisez pas de l'eau sur le moteur et les composants électriques.

## 10.3 REMPLACEZ LA LIGNE EXCÉDENTAIRE

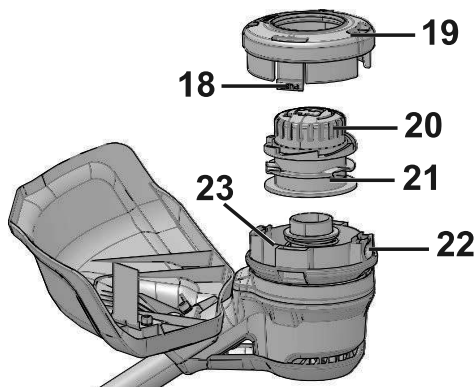
1. Poussez les languettes (18) sur les côtés de la tête de coupe en même temps.



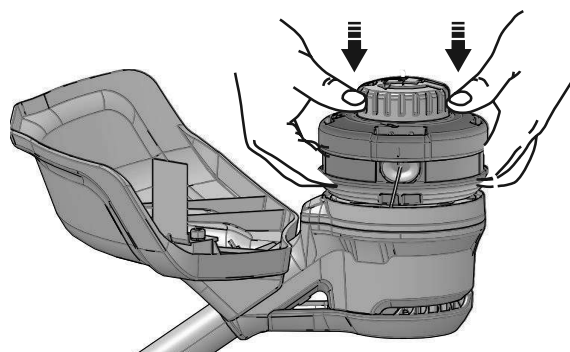
2. Tirez et démontez le couvercle de la bobine (19).



3. Retirez la bobine restante (21).
4. Enlevez la saleté et les débris sur toutes les pièces. Remplacez la bobine si elle usée ou endommagée.



5. Poussez les languettes et installez le couvercle de la bobine sur le boîtier de la bobine.
6. Poussez le couvercle de la bobine jusqu'à ce qu'il s'enclenche en position.

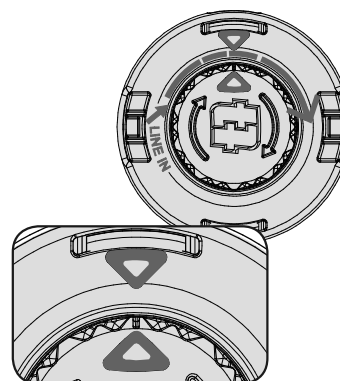


## 10.4 INSTALLEZ LA LIGNE DE COUPE

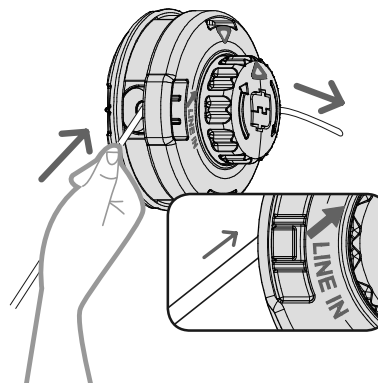
### **i** REMARQUE

Ne mettez pas plus de 4,5 m (15 pi) de ligne de coupe à la fois.

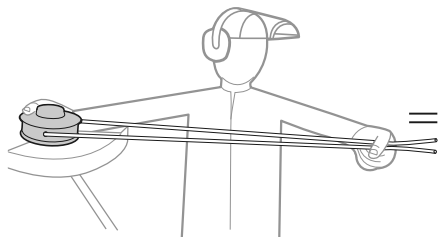
1. Retirez la ligne de coupe restante sur la bobine.
2. Alignez les fentes de la bobine avec les fentes de la tête de coupe.



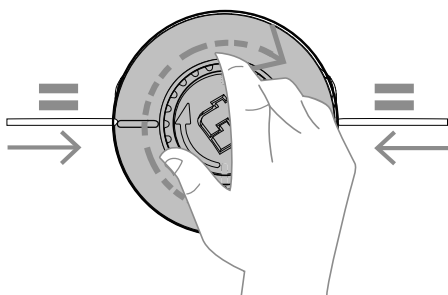
3. Passez l'extrémité de la ligne de coupe à travers le trou. Poussez la ligne de coupe jusqu'à ce qu'elle sorte par le trou opposé.



4. Tirez la ligne de coupe jusqu'à ce qu'il y ait une longueur égale de ligne de coupe de chaque côté.



5. Tournez le capuchon de bobine dans le sens des aiguilles d'une montre pour enrouler la ligne de coupe dans la tête de coupe. Conservez environ 5" de ligne de coupe au-dessus de chaque côté de la tête de coupe.



## 11 TRANSPORT ET ENTREPOSAGE

### ▲ AVERTISSEMENT

Retirez la batterie de la machine avant de la transporter et de l'entreposer.

#### 11.1 DÉPLACEZ LA MACHINE

Lorsque vous déplacez la machine, il faut toujours faire ce qui suit :

- Arrêtez la machine.
- Retirez le bloc-batterie.

#### 11.2 ENTREPOSEZ LA MACHINE

- Retirez le bloc-batterie de la machine.
- Assurez-vous que les enfants ne peuvent pas s'approcher de la machine.
- Gardez la machine loin des agents corrosifs, tels que les produits chimiques de jardin et les sels de déglacage.
- Protégez la machine pendant le transport pour éviter tout dommage ou blessure. Nettoyez la machine et vérifiez qu'elle n'est pas endommagée.

## 12 DONNÉES TECHNIQUES

Type	Sans fil, à batterie
Moteur	80V
Vitesse à vide	6000 / 5000 (±10%) tr/min

Diamètre de la ligne de coupe	0.095" / 0.080" (2.4 mm / 2.0 mm)
Diamètre de coupe	14 in. / 16 in. (35.6 cm / 40.6 cm)
Type d'avance du fil	Avance par coups
Poids (sans batterie)	7.9 lbs (3.6 kg)
Batterie (modèle)	BAB727 et autres séries BAB
Chargeur (modèle)	GCH8020 et autres séries CAB

#### La plage de température ambiante recommandée :

Article	Température
Plage de température d'entreposage du coupe-herbe	32°F (0°C) - 113°F (45°C)
Plage de température de fonctionnement du coupe-herbe	32°F (0°C) - 113°F (45°C)
Plage de température de rechargement de la batterie	39°F (4°C) - 104°F (40°C)
Plage de température de fonctionnement du chargeur	39°F (4°C) - 104°F (40°C)
Plage de température d'entreposage de la batterie	32°F (0°C) - 113°F (45°C)
Plage de température de déchargement de la batterie	32°F (0°C) - 113°F (45°C)



## 13 DÉPANNAGE

Problème	Cause possible	Solution
Le moteur ne démarre pas lorsque vous appuyez sur la gâchette.	Pas de contact électrique entre la machine et la batterie.	1. Retirez la batterie. 2. Vérifiez le contact et réinstallez la batterie.
	La batterie est déchargée.	Rechargez le bloc-batterie.
	Le bouton de verrouillage et la gâchette ne sont pas enfoncés en même temps.	1. Appuyez sur le bouton de verrouillage et maintenez-le enfoncé. 2. Appuyez sur la gâchette pour démarrer la machine.
La machine s'arrête lorsque vous coupez l'herbe.	La garde protectrice n'est pas attachée à la machine.	Retirez la batterie et installez la garde protectrice à la machine.
	Une ligne de coupe lourde est utilisée.	Utilisez uniquement avec la ligne de coupe en nylon de 0.095" / 0.080" (2.4 mm / 2.0 mm) diamètre.
	L'herbe s'enroule autour de l'arbre du moteur ou de la tête de coupe.	1. Arrêtez la machine. 2. Retirez le bloc-batterie. 3. Enlevez l'herbe de l'arbre du moteur et de la tête de coupe.
	Le moteur est surchargé.	1. Retirez la tête de coupe de l'herbe. 2. Le moteur se remet en marche dès que la charge est retirée. 3. Lorsque vous coupez, déplacez la tête de coupe dans le gazon à couper et hors de celui-ci et n'enlevez pas plus de 8 po de longueur de gazon en un passage.
	La batterie ou la machine est trop chaude.	1. Laissez refroidir la batterie jusqu'à ce que son fonctionnement revienne à la normale. Le mieux est de placer la batterie à l'ombre ou à l'intérieur. 2. Laissez refroidir la machine pendant environ 10 minutes. Retirez la batterie de l'outil pour aider l'outil à refroidir plus rapidement.
	La batterie est déconnectée de l'outil.	Réinstallez la batterie.
La ligne n'avance pas.	La batterie est déchargée.	Rechargez le bloc-batterie.
	Les lignes sont soudées entre elles.	Lubrifiez avec du silicone en vaporisateur.
	Pas assez de lignes sur la bobine.	Installez plus de lignes.
	Les lignes sont devenues trop courtes.	Avancez la ligne de coupe en donnant des coups avec la tête de coupe.
La ligne ne cesse de se briser.	Les lignes sont emmêlées sur la bobine.	1. Retirez les lignes de la bobine. 2. Enroulez les lignes.
	La machine n'est pas utilisée correctement.	1. Coupez avec le bout de la ligne, évitez les pierres, les murs et autres objets durs. 2. Avancez régulièrement la ligne de coupe pour conserver toute la largeur de coupe.

Problème	Cause possible	Solution
L'herbe s'enroule autour de la tête de coupe et du boîtier du moteur.	Coupez l'herbe haute au niveau du sol.	1. Coupez l'herbe haute du haut vers le bas.  2. N'enlevez pas plus de 8" à chaque passage pour éviter l'enroulement.
La ligne ne coupe pas bien.	La lame de coupe s'est émoussée.	Affûtez la lame de coupe avec une lime ou remplacez-la.
Les vibrations augmentent visiblement.	La ligne est usée d'un côté et n'est pas avancée à temps.	Assurez-vous que la ligne des deux côtés est normale. Avancez la ligne.

## 14 GARANTIE LIMITÉE



Greenworks garantit par la présente ce produit, à l'acheteur original avec preuve d'achat, pour une période de quatre (4) ans contre tout défaut de matériaux, de pièces ou de main-d'œuvre. Greenworks, à sa propre discrétion, réparera ou remplacera toutes les pièces défectueuses, dans des conditions normales d'utilisation, sans frais pour le client. Cette garantie n'est valable que pour les appareils qui ont été utilisés à des fins personnelles, qui n'ont pas été loués à des fins industrielles ou commerciales et qui ont été entretenus conformément aux instructions du manuel du propriétaire fourni avec le produit neuf.

### ARTICLES NON COUVERTS PAR LA GARANTIE :

1. Toute pièce qui est devenue inopérante en raison d'une mauvaise utilisation, d'une utilisation commerciale, d'un abus, d'une négligence, d'un accident, d'un entretien inapproprié ou d'une modification; ou
2. L'appareil, s'il n'a pas été utilisé et/ou entretenu conformément au manuel du propriétaire; ou
3. Usure normale, sauf comme indiqué ci-dessous;
4. Articles d'entretien courant tels que lubrifiants, affûtage des lames;
5. Détérioration normale du fini extérieur due à l'utilisation ou à l'exposition.

### ASSISTANCE TÉLÉPHONIQUE :

Le service de garantie est disponible en appelant notre ligne d'assistance téléphonique sans frais, au 1-855-345-3934.

### FRAIS DE TRANSPORT :

Les frais de transport pour le déplacement de tout équipement motorisé ou accessoire sont à la charge de l'acheteur. Il

incombe à l'acheteur de payer les frais de transport pour toute pièce retournée pour remplacement en vertu de la présente garantie, à moins qu'un tel retour soit demandé par écrit par Greenworks.

### Adresse aux États-Unis : Adresse au Canada :

Greenworks Tools

Greenworks Tools Canada Inc.

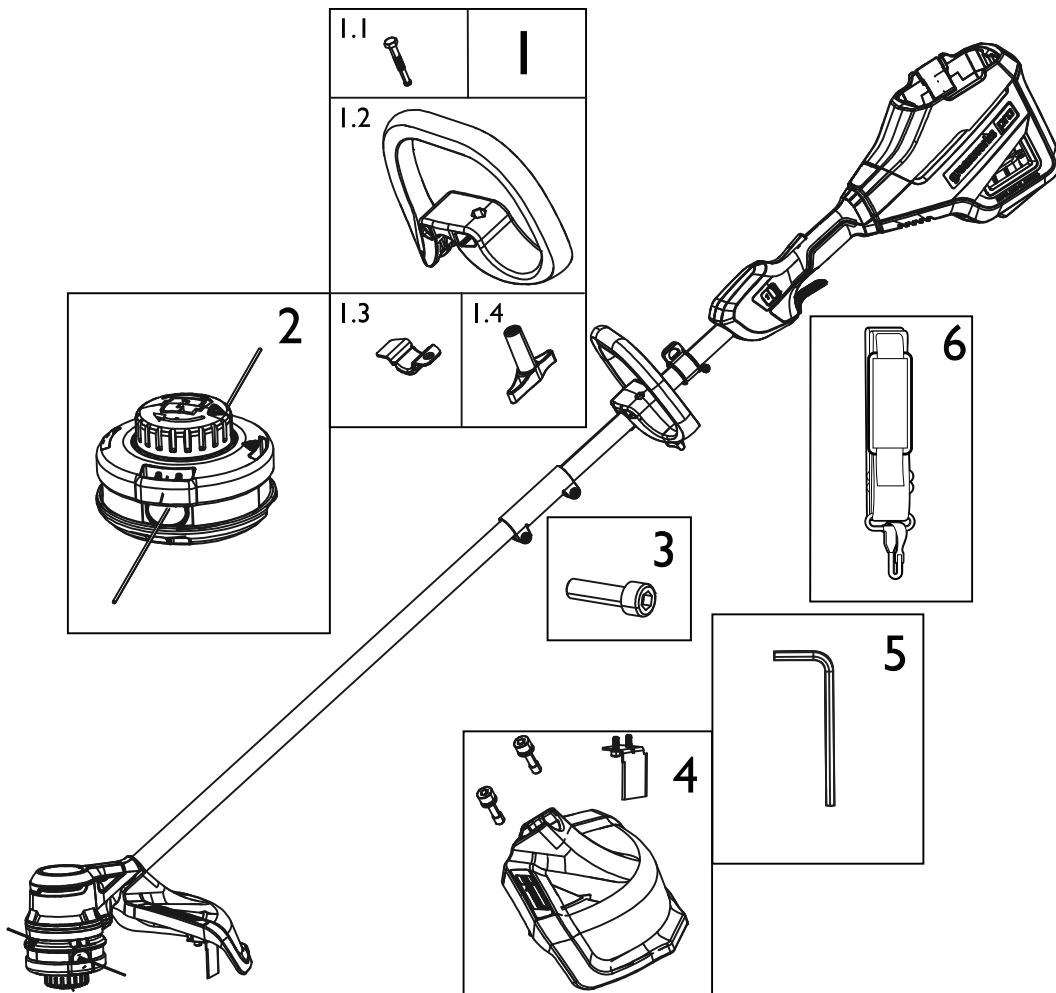
P.O. Box 1238

P.O. Box 93095, Newmarket,  
Ontario

Mooresville, NC 28115

L3Y 8K3

15 VUE ÉCLATÉES



No	No de pièce	Qté	Description	No	No de pièce	Qté	Description
1	R0201836-00	1	Ensemble de poignée auxiliaire	2	R0202143-00	1	Ensemble de la tête de taille-haie
1,1	R0201826-00	1	Boulon	3	R0201830-00	1	Vis hexagonale
1,2	R0201827-00	1	Poignée auxiliaire	4	R0201881-00	1	Ensemble de la garde protectrice
1,3	R0201828-00	1	Support	5	R0201770-00	1	Clé Allen
1,4	R0200792-00	1	Bouton	6	RB37902144	1	Bandoulière