

# greenworks

PA421K  
G24CS10

Rev B

EN	3/8" CROWN STAPLER	OPERATOR MANUAL
FR	3/8" AGRAFEUSE À COURONNE	MANUEL DE L'UTILISATEUR
ES	3/8" GRAPADORA DE CORONA	MANUAL DEL OPERADOR



STG309

www.greenworkstools.com

210

145

说明书技术要求:

SCALE:A5

1. 材质要求: 60g双胶纸,
2. 28p, 说明书为单色印刷; 始终保持色块朝外;
3. 骑马钉装订, 裁切均匀、无连页, 装钉不能有锈斑。
4. 说明书可封样、要求无色差、无污点。
5. 料件需符合格力博HSF文件(编号: GLB-CGR-146) 里关于环保和有害物质的具体要求。

版本号

B

重要度等级

B

日期

					说明书				常州格力博集团		
											GW 24V 弹簧钉枪
标记	处数	更改文件号	签名	日期					3401802		
设计	王益清	标准化	王小妮	阶段标记	视角标记	重量	比例				
校对	张君	审定		S	A	B					
审核	周艳	批准	李海平	共 1 张		第 1 张		ERP号			
工艺		日期	21.11.29								

# greenworks

**PA421K  
G24CS10**

EN	3/8" CROWN STAPLER	OPERATOR MANUAL
FR	3/8" AGRAFEUSE À COURONNE	MANUEL DE L'UTILISATEUR
ES	3/8" GRAPADORA DE CORONA	MANUAL DEL OPERADOR



**STG309**

[www.greenworkstools.com](http://www.greenworkstools.com)



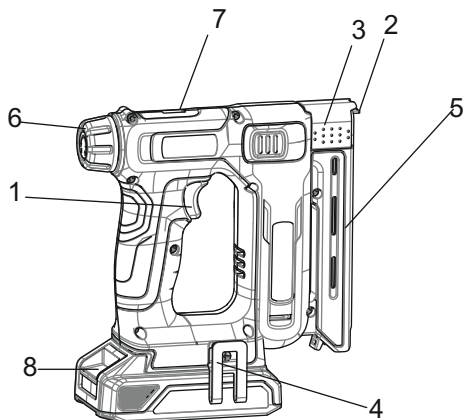
<b>1</b>	<b>Description.....</b>	<b>4</b>	<b>7</b>	<b>Proposition 65.....</b>	<b>7</b>
1.1	Purpose.....	4	<b>8</b>	<b>Installation.....</b>	<b>7</b>
1.2	Overview.....	4	8.1	Unpack the machine.....	7
1.3	Packing list.....	4	8.2	Install belt clip.....	8
<b>2</b>	<b>General power tool safety</b>		8.3	Load staples.....	8
	<b>warnings.....</b>	<b>4</b>	8.4	Install the battery pack.....	8
2.1	Work area safety.....	4	8.5	Remove the battery pack.....	9
2.2	Electrical safety.....	4	<b>9</b>	<b>Operation.....</b>	<b>9</b>
2.3	Personal safety.....	4	<b>10</b>	<b>Operation.....</b>	<b>9</b>
2.4	Power tool use and care.....	5	10.1	Adjust the staple depth.....	9
2.5	Battery tool use and care.....	5	10.2	Driving a staple.....	9
2.6	Service.....	5	10.3	Wire and screen accessory.....	9
<b>3</b>	<b>Tacker safety warnings.....</b>	<b>5</b>	<b>11</b>	<b>Maintenance.....</b>	<b>9</b>
<b>4</b>	<b>Symbols on the product.....</b>	<b>6</b>	11.1	Remove a jammed staple.....	10
<b>5</b>	<b>Risk levels.....</b>	<b>7</b>	<b>12</b>	<b>Technical data.....</b>	<b>10</b>
<b>6</b>	<b>Environmentally safe battery</b>		<b>13</b>	<b>Limited warranty.....</b>	<b>10</b>
	<b>disposal.....</b>	<b>7</b>			

## 1 DESCRIPTION

### 1.1 PURPOSE

You may use this product for the purposes listed below:  
Driving staples into wood ; Using the included accessory, driving staples to secure fencing wire and wire screen.

### 1.2 OVERVIEW



- |                             |                          |
|-----------------------------|--------------------------|
| 1 Switch trigger            | 5 Magazine               |
| 2 Activation foot           | 6 Depth adjustment knob  |
| 3 Wire and screen accessory | 7 Drive force indicator  |
| 4 Belt clip                 | 8 Battery release button |

### 1.3 PACKING LIST

- |                 |                    |
|-----------------|--------------------|
| 1 Crown stapler | 3 T-Type (500 pcs) |
| 2 Manual        | 4 U-Type (500 pcs) |

## 2 GENERAL POWER TOOL SAFETY WARNINGS

### ▲ WARNING

Read all safety warnings and all instructions. Failure to follow the warnings and instructions may result in electric shock, fire and/or serious injury.

Save all warnings and instructions for future reference.

The term "power tool" in the warnings refers to your mains-operated (corded) power tool or battery-operated (cordless) power tool.

### 2.1 WORK AREA SAFETY

- **Keep work area clean and well lit.** Cluttered or dark areas invite accidents.

- **Do not operate power tools in explosive atmospheres, such as in the presence of flammable liquids, gases or dust.** Power tools create sparks which may ignite the dust or fumes.
- **Keep children and bystanders away while operating a power tool.** Distractions can cause you to lose control.

### 2.2 ELECTRICAL SAFETY

- **Power tool plugs must match the outlet. Never modify the plug in any way. Do not use any adapter plugs with earthed (grounded) power tools.** Unmodified plugs and matching outlets will reduce risk of electric shock.
- **Avoid body contact with earthed or grounded surfaces, such as pipes, radiators, ranges and refrigerators.** There is an increased risk of electric shock if your body is earthed or grounded.
- **Do not expose power tools to rain or wet conditions.** Water entering a power tool will increase the risk of electric shock.
- **Do not abuse the cord. Never use the cord for carrying, pulling or unplugging the power tool. Keep cord away from heat, oil, sharp edges or moving parts.** Damaged or entangled cords increase the risk of electric shock.
- **When operating a power tool outdoors, use an extension cord suitable for outdoor use.** Use of a cord suitable for outdoor use reduces the risk of electric shock.
- **If operating a power tool in a damp location is unavoidable, use a residual current device (RCD) protected supply.** Use of an RCD reduces the risk of electric shock.

### 2.3 PERSONAL SAFETY

- **Stay alert, watch what you are doing and use common sense when operating a power tool. Do not use a power tool while you are tired or under the influence of drugs, alcohol or medication.** A moment of inattention while operating power tools may result in serious personal injury.
- **Use personal protective equipment. Always wear eye protection.** Protective equipment such as a dust mask, non-skid safety shoes, hard hat or hearing protection used for appropriate conditions will reduce personal injuries.
- **Prevent unintentional starting. Ensure the switch is in the off position before connecting to power source and/or battery pack, picking up or carrying the tool.** Carrying power tools with your finger on the switch or energizing power tools that have the switch on invites accidents.
- **Remove any adjusting key or wrench before turning the power tool on.** A wrench or a key left attached to a rotating part of the power tool may result in personal injury.
- **Do not overreach. Keep proper footing and balance at all times.** This enables better control of the power tool in unexpected situations.

- **Dress properly. Do not wear loose clothing or jewellery. Keep your hair, clothing and gloves away from moving parts.** *Loose clothes, jewellery or long hair can be caught in moving parts.*
- **If devices are provided for the connection of dust extraction and collection facilities, ensure these are connected and properly used.** *Use of dust collection can reduce dust related hazards.*
- **Do not let familiarity gained from frequent use of tools allow you to become complacent and ignore tool safety principles.** *A careless action can cause severe injury within a fraction of a second.*

## 2.4 POWER TOOL USE AND CARE

- **Do not force the power tool. Use the correct power tool for your application.** *The correct power tool will do the job better and safer at the rate for which it was designed.*
- **Do not use the power tool if the switch does not turn it on and off.** *Any power tool that cannot be controlled with the switch is dangerous and must be repaired.*
- **Disconnect the plug from the power source and/or the battery pack from the power tool before making any adjustments, changing accessories, or storing power tools.** *Such preventive safety measures reduce the risk of starting the power tool accidentally*
- **Store idle power tools out of the reach of children and do not allow persons unfamiliar with the power tool or these instructions to operate the power tool.** *Power tools are dangerous in the hands of untrained users.*
- **Maintain power tools. Check for misalignment or binding of moving parts, breakage of parts and any other condition that may affect the power tool's operation. If damaged, have the power tool repaired before use.** *Many accidents are caused by poorly maintained power tools.*
- **Keep cutting tools sharp and clean.** *Properly maintained cutting tools with sharp cutting edges are less likely to bind and are easier to control.*
- **Use the power tool, accessories and tool bits etc. in accordance with these instructions, taking into account the working conditions and the work to be performed.** *Use of the power tool for operations different from those intended could result in a hazardous situation.*
- **Keep handles and grasping surfaces dry, clean and free from oil and grease.** *Slippery handles and grasping surfaces do not allow for safe handling and control of the tool in unexpected situations.*

## 2.5 BATTERY TOOL USE AND CARE

- **Recharge only with the charger specified by the manufacturer.** *A charger that is suitable for one type of battery pack may create a risk of fire when used with another battery pack.*
- **Use power tools only with specifically designated battery packs.** *Use of any other battery packs may create a risk of injury and fire.*

- **When battery pack is not in use, keep it away from other metal objects like paper clips, coins, keys, nails, screws, or other small metal objects that can make a connection from one terminal to another.** *Shorting the battery terminals together may cause burns or fire.*
- **Under abusive conditions, liquid may be ejected from the battery; avoid contact. If contact accidentally occurs, flush with water. If liquid contacts eyes, additionally seek medical help.** *Liquid ejected from the battery may cause irritation or burns.*
- **Do not use a battery pack or tool that is damaged or modified.** *Damaged or modified batteries may exhibit unpredictable behavior resulting in fire, explosion or risk of injury.*
- **Do not expose a battery pack or tool to fire or excessive temperature.** *Exposure to fire or temperature above 130°C (265 °F) may cause explosion.*
- **Follow all charging instructions and do not charge the battery pack or tool outside the temperature range specified in the instructions.** *Charging improperly or at temperatures outside the specified range may damage the battery and increase the risk of fire.*

## 2.6 SERVICE

- **Have your power tool serviced by a qualified repair person using only identical replacement parts.** *This will ensure that the safety of the power tool is maintained.*
- **Never service damaged battery packs.** *Service of battery packs should only be performed by the manufacturer or authorized service providers.*

## 3 TACKER SAFETY WARNINGS

- **Always assume that the tool contains fasteners.** *Careless handling of the tacker can result in unexpected firing of fasteners and personal injury.*
- **Do not point the tool towards yourself or anyone nearby.** *Unexpected triggering will discharge the fastener causing an injury.*
- **Do not actuate the tool unless the tool is placed firmly against the workpiece.** *If the tool is not in contact with the workpiece, the fastener may be deflected away from your target.*
- **Disconnect the tool from the power source when the fastener jams in the tool** *While removing a jammed fastener, the tacker may be accidentally activated if it is plugged in.*
- **Use caution while removing a jammed fastener.** *The mechanism may be under compression and the fastener may be forcefully discharged while attempting to free a jammed condition.*
- **Do not use this tacker for fastening electrical cables.** *It is not designed for electric cable installation and may damage the insulation of electric cables thereby causing electric shock or fire hazards.*
- **Hold power tool by insulated gripping surfaces, when performing an operation where the nails may contact**





**hidden wiring.** Nails contacting a “live” wire may make exposed metal parts of the power tool “live” and could give the operator an electric shock.


- **Protect your hearing.** Wear hearing protection during extended periods of operation. Following this rule will reduce the risk of serious personal injury.
- **Always wear eye protection with side shields marked to comply with ANSI Z87.1.** Following this rule will reduce the risk of serious personal injury.
- **Protect your lungs.** Wear a face or dust mask if the operation is dusty. Following this rule will reduce the risk of serious personal injury.
- **Always remove the battery cartridge before loading the nails, adjustment, inspection, maintenance or after operation is over.**
- **Make sure no one is nearby before operation.** Never attempt to drive nails from both the inside and outside of wall at the same time. Nails may rip through and/or fly off, presenting a grave danger.
- **Watch your footing and maintain your balance with the tool.** Make sure there is no one below when working in high locations.
- **Check walls, ceilings, floors, roofing and the like carefully to avoid possible electrical shock, gas leakage, explosions, etc. caused by stapling into live wires, conduits or gas pipes.**
- **Use only nails specified in this manual.** The use of any other nails may cause malfunction of the tool.
- **Do not tamper with the tool or attempt to use it for other than driving nails.**
- **Do not operate the tool without nails.** It shortens the service life of the tool.
- **Stop driving operations immediately if you notice something wrong or out of the ordinary with the tool.**
- **Never nail into any materials which may allow the nails to puncture and fly through as a projectile.**
- **Never actuate the switch trigger and safety lever at the same time until you are prepared to nail workpieces.** Allow the workpiece to depress the safety lever. Never defeat its purpose by securing the safety lever back or by depressing it by hand.
- **Never tamper with the safety lever.** Check the safety lever frequently for proper operations.
- **Keep hands and feet away from the ejection port area.**
- **Use the tool only for its intended use.** Do not discharge nails into open air.
- **Do not use tool if trigger does not actuate properly.**
- **Any tool that cannot be controlled with the trigger is dangerous and must be repaired.**
- **Check operation of the workpiece contact mechanism frequently.** Do not use the tool if the workpiece contact mechanism is not working correctly as accidental driving of a nail may result. Do not interfere with the proper operation of the workpiece contact mechanism.
- **Do not use a tool that does not work correctly.**

- **During normal use the tool will recoil immediately after driving a nail.** This is a normal function of the tool. Do not attempt to prevent the recoil by holding the nailer against the work. Restriction to the recoil can result in a second nail being driven from the nailer. Grip the handle firmly, let the tool do the work and do not place second hand on top of tool or near exhaust at any time. Failure to heed this warning can result in serious personal injury.
- **Do not drive nails on top of other nailer or with the tool at an overly steep angle as this may cause deflection of nails which could cause injury.**
- **Battery tools do not have to be plugged into an electrical outlet; therefore, they are always in operating condition.** Be aware of possible hazards when not using your battery tool or when changing accessories. Following this rule will reduce the risk of electric shock, fire, or serious personal injury.
- **Do not crush, drop or damage battery pack. Do not use a battery pack or charger that has been dropped or received a sharp blow.** A damaged battery is subject to explosion. Properly dispose of a dropped or damaged battery immediately.
- **Do not place battery tools or their batteries near fire or heat.** This will reduce the risk of explosion and possibly injury. For more information about battery safety and operating instructions, please refer to the battery and charger instructions.
- **Save these instructions.** Refer to them frequently and use them to instruct others who may use this tool. If you loan someone this tool, loan them these instructions also.

## 4 SYMBOLS ON THE PRODUCT




Some of the following symbols may be used on this product. Please study them and learn their meaning. Proper interpretation of these symbols will allow you to operate the product better and safer.

Symbol	Explanation
V	Voltage
/min	Revolutions, strokes, surface speed, orbits etc., per minute
$n_0$	No load speed
	Direct current-Type or characteristic of current.
	Precautions that involve your safety.
	Read and understand all instructions before operating the product, and follow all warnings and safety instructions.
	Wear eye and ear protection.

Symbol	Explanation
	Keep hands and body away from the discharge area of the tool.

## 5 RISK LEVELS

The following signal words and meanings are intended to explain the levels of risk associated with this product.

SYM-BOL	SIGNAL	MEANING
	DANGER	Indicates an imminently hazardous situation, which, if not avoided, will result in death or serious injury.
	WARNING	Indicates a potentially hazardous situation, which, if not avoided, could result in death or serious injury.
	CAUTION	Indicates a potentially hazardous situation, which, if not avoided, may result in minor or moderate injury.
	CAUTION	(Without Safety Alert Symbol) Indicates a situation that may result in property damage.

## 6 ENVIRONMENTALLY SAFE BATTERY DISPOSAL



The toxic and corrosive materials below are in the batteries used in this machine: **Lithium-ion, a toxic material.**

### ▲ WARNING

Discard all toxic materials in a specified manner to prevent contamination of the environment. Before discarding damaged or worn out Li-ion battery, contact your local waste disposal agency, or the local Environmental Protection Agency for information and specific instructions. Take the batteries to a local recycling and/or disposal center, certified for lithium-ion disposal.

### ▲ WARNING

If the battery pack cracks or breaks, with or without leaks, do not recharge it and do not use. Discard it and replace with a new battery pack. **DO NOT TRY TO REPAIR IT!** To prevent injury and risk of fire, explosion, or electric shock, and to avoid damage to the environment:

- Cover the terminals of the battery with heavy-duty adhesive tape.
- **DO NOT** try to remove or destroy any of the battery pack components.
- **DO NOT** try to open the battery pack.
- If a leak develops, the released electrolytes are corrosive and toxic. **DO NOT** get the solution in the eyes or on skin, and do not swallow it.
- **DO NOT** put these batteries in your regular household trash.
- **DO NOT** incinerate.
- **DO NOT** put them where they will become part of any waste landfill or municipal solid waste stream.
- Take them to a certified recycling or disposal center.

## 7 PROPOSITION 65

### ▲ WARNING

This product contains a chemical known to the state of California to cause cancer, birth defects or other reproductive harm. Some dust created by power sanding, sawing, grinding, drilling, and other construction activities contains chemicals known to cause cancer, birth defects or other reproductive harm. Some examples of these chemicals are:

- Lead from lead-based paints;
- Crystalline silica from bricks and cement and other masonry products;
- Arsenic and chromium from chemically treated lumber.

Your risk of exposure to these chemicals varies depending on how often you do this type of work. To reduce your exposure to these chemicals, work in a well-ventilated area, and work with approved safety equipment, such as dust masks that are specially designed to filter out microscopic particles.

Save these instructions.

## 8 INSTALLATION

### 8.1 UNPACK THE MACHINE

### ▲ WARNING

Make sure that you correctly assemble the machine before use.



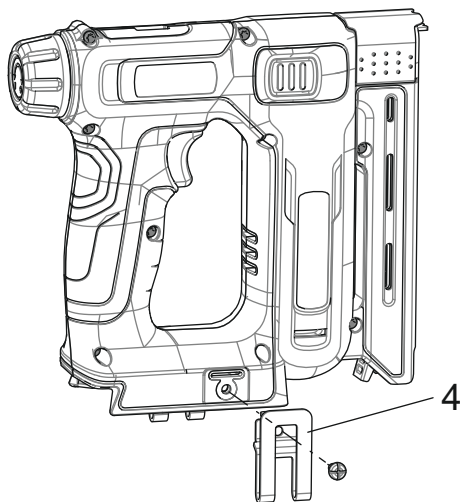
**▲ WARNING**

- If parts of the machine are damaged, do not use the machine.
- If you do not have all the parts, do not operate the machine.
- If parts are damaged or missing, contact the service center.

1. Open the package.
2. Read the documentation provided in the box.
3. Remove all the unassembled parts from the box.
4. Remove the machine from the box.
5. Discard the box and packing material in compliance with local regulations.

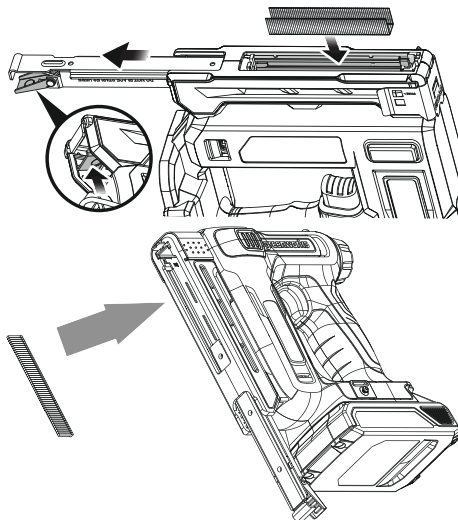
**▲ WARNING**

For your personal safety, do not insert battery before the tool is assembled completely.

**8.2 INSTALL BELT CLIP****i NOTE**

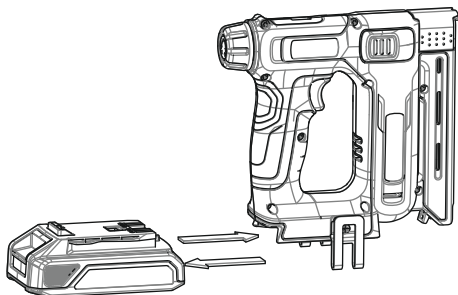
The belt clip may be installed on either side of the housing.

1. Remove the battery pack from the machine.
2. Align the belt clip with the hole on the stapler.
3. Tighten the screw.

**8.3 LOAD STAPLES****i NOTE**

Remove the battery pack.

1. Hold the tool upside down. Squeeze the magazine latch and slide the magazine open.
2. Insert the staples into the channel with the crown side down and the legs facing upward.
3. To close the magazine, push it into the tool until it clicks.
4. An indicator window on the side of the tool lets the operator know when the tool is running low on staples.

**8.4 INSTALL THE BATTERY PACK**

**▲ WARNING**

- If the battery pack or charger is damaged, replace the battery pack or the charger.
- Stop the machine and wait until the motor stops before you install or remove the battery pack.
- Read and understand the instructions in the battery and charger manual.

1. Align the lift ribs on the battery pack with the grooves in the battery compartment.
2. Push the battery pack into the battery compartment until the battery pack locks into place.
3. When you hear a click, the battery pack is installed.

**8.5 REMOVE THE BATTERY PACK**

1. Push and hold the battery release button.
2. Remove the battery pack from the machine.

**9 OPERATION****i IMPORTANT**

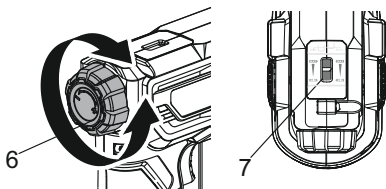
Before you operate the machine, read and understand the safety regulations and the operation instructions.

**▲ WARNING**

Be careful when you operate the machine.

**10 OPERATION****▲ WARNING**

Do not use any attachments or accessories not recommended by the manufacturer of this product.

**10.1 ADJUST THE STAPLE DEPTH**

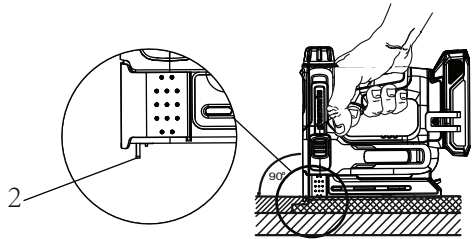
The depth adjustment knob increases or decreases the force with which a staple is driven into the workpiece. The drive force indicator, located on top of the tool, will show the force at which the staple will enter the workpiece. Harder materials will require greater drive force.

1. Remove the battery pack.
2. Rotate the depth adjustment knob clockwise to increase the drive force.

3. To test for desired depth, use a scrap piece of the same material you will be using for your project.

**i NOTE**

Always keep your fingers away from the discharge area of the tool when driving a staple and when using the accessory to install screen or wire. Failure to keep fingers out of the way can result in serious personal injury.

**10.2 DRIVING A STAPLE**

1. Hold the handle firmly with the nose of the tool flat against the workpiece at a 90° angle.
2. Press the activation foot of the stapler down against the workpiece. The activation foot must be depressed before pulling the switch trigger.
3. The tool will drive another staple each time the trigger is depressed as long as the activation foot is depressed.

**10.3 WIRE AND SCREEN ACCESSORY**

The wire and screen accessory included with the stapler is useful for attaching screen or wire to a wood frame or workpiece. One accessory edge is used for fencing wire, while the other edge is for attaching screen.

Drive a test staple in a scrap piece of the same material you will be using for your project to test for desired drive force.

To install the accessory: Remove the battery pack and select the desired application; Turn the selected edge toward the nose of the tool; Slide the accessory over the nose of the tool until it fits into place over the tab on each side of the tool.

**11 MAINTENANCE****▲ CAUTION**

Do not let brake fluids, gasoline, petroleum-based materials touch the plastic parts. Chemicals can cause damage to the plastic, and make the plastic unserviceable.

**▲ CAUTION**

Do not use strong solvents or detergents on the plastic housing or components.

**▲ WARNING**

Remove the battery pack from the machine before maintenance.

**11.1 REMOVE A JAMMED STAPLE**

1. If there is a jammed staple in the tool, you must remove it before further use. Attempting to drive a staple while the tool is jammed could damage the mechanism.
2. Remove the battery pack.
3. Hold the tool upside down. Squeeze the magazine latch and slide the magazine open.
4. Remove unused staples.
5. Remove the jammed staple with needle-nose pliers.

**12 TECHNICAL DATA**

Voltage	24 V
Staple speed	60 staples/min
Staple type	18 GA / T-50
Magazine capacity	U-Type 85 staples / T-Type 85 staples
Staple crown size	3/8"
Staple length	U-Type 6-14 mm / T-Type 15mm
Weight (without battery pack)	2.98 lbs (1.35 kg)
Battery model	LB24A020/BAG708 and other BAG series
Charger model	2978602/2903102 and other CAG series

**13 LIMITED WARRANTY**

Greenworks hereby warrants this product, to the original purchaser with proof of purchase, for a period of three (3) years against defects in materials, parts or workmanship. Greenworks, at its own discretion, will repair or replace any and all parts found to be defective, through normal use, free of charge to the customer. This warranty is valid only for units which have been used for personal use that have not been purchased or rented for industrial/commercial use, and that have been maintained in accordance with the instructions in the owners' manual supplied with the product when new.

**ITEMS NOT COVERED BY WARRANTY:**

1. Any part that has become inoperative due to misuse, commercial use, abuse, neglect, accident, improper maintenance, or alteration; or
2. The unit, if it has not been operated and/or maintained in accordance with the owner's manual; or
3. Normal wear;
4. Routine maintenance items such as lubricants, blade sharpening;
5. Normal deterioration of the exterior finish due to use or exposure.

**HELPLINE:**

Warranty service is available by calling our toll-free helpline at 1-888-909-6757.

**TRANSPORTATION CHARGES:**

Transportation charges for the movement of any power equipment unit or attachment are the responsibility of the purchaser. It is the purchaser's responsibility to pay transportation charges for any part submitted for replacement under this warranty unless such return is requested in writing by Greenworks.

**USA address:**

Greenworks Tools  
P.O. Box 1238  
Mooresville, NC 28115

**Canadian address:**

Greenworks Tools Canada, Inc.  
P.O. Box 93095, Newmarket,  
Ontario  
L3Y 8K3

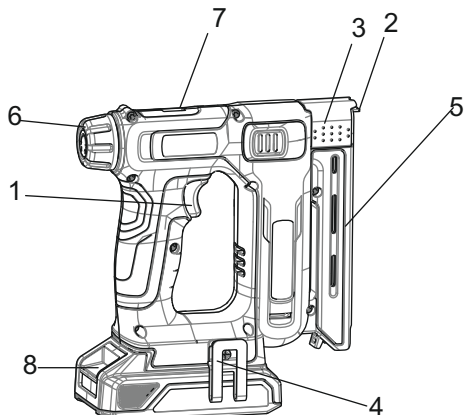
<b>1</b>	<b>Description.....</b>	<b>12</b>	<b>7</b>	<b>Proposition 65.....</b>	<b>16</b>
1.1	But.....	12	<b>8</b>	<b>Installation.....</b>	<b>16</b>
1.2	Aperçu.....	12	8.1	Déballer la machine.....	16
1.3	Liste du contenu de l'emballage.....	12	8.2	Installer le clip de ceinture.....	17
<b>2</b>	<b>Avertissements généraux de</b>		8.3	Charger les agrafes.....	17
	<b>sécurité des outils électriques.....</b>	<b>12</b>	8.4	Installer le bloc-batterie.....	17
2.1	Sécurité de la zone de travail.....	12	8.5	Retirez le bloc-batterie.....	17
2.2	Sécurité électrique.....	12	<b>9</b>	<b>Utilisation.....</b>	<b>17</b>
2.3	Sécurités des personnes.....	12	<b>10</b>	<b>Utilisation.....</b>	<b>18</b>
2.4	Utilisation et entretien des outils électriques... 13		10.1	Régler la profondeur des agrafes.....	18
2.5	Utilisation et entretien de l'outil à batterie..... 13		10.2	Enfoncer une agrafe.....	18
2.6	Service.....	14	10.3	Accessoire fil et écran.....	18
<b>3</b>	<b>Avertissements de sécurité pour</b>		<b>11</b>	<b>Entretien.....</b>	<b>18</b>
	<b>l'agrafeuse.....</b>	<b>14</b>	11.1	Retirer une agrafe coincée.....	18
<b>4</b>	<b>Symboles figurant sur la machine. 15</b>		<b>12</b>	<b>Données techniques.....</b>	<b>18</b>
<b>5</b>	<b>Niveaux de risques.....</b>	<b>15</b>	<b>13</b>	<b>Garantie limitée.....</b>	<b>19</b>
<b>6</b>	<b>Élimination des batteries sans</b>				
	<b>danger pour l'environnement.....</b>	<b>15</b>			

## 1 DESCRIPTION

### 1.1 BUT

Vous pouvez utiliser ce produit aux fins indiquées ci-dessous : Enfoncer des agrafes dans le bois; à l'aide de l'accessoire fourni, enfoncer des agrafes pour fixer le fil de clôture et le grillage.

### 1.2 APERÇU



- |                                   |   |
|-----------------------------------|---|
| 1 Interrupteur à gâchette         | 7 Indicateur de la force d'entraînement |
| 2 Pied d'activation               | 8 Bouton d'éjection de la batterie      |
| 3 Accessoire fil et écran         |   |
| 4 Pince de ceinture               |   |
| 5 Chargeur                        |   |
| 6 Bouton de réglage de profondeur |   |

### 1.3 LISTE DU CONTENU DE L'EMBALLAGE

- |                        |                       |
|------------------------|-----------------------|
| 1 Agrafeuse à couronne | 3 T-Type (500 pièces) |
| 2 Manuel               | 4 U-Type (500 pièces) |

## 2 AVERTISSEMENTS GÉNÉRAUX DE SÉCURITÉ DES OUTILS ÉLECTRIQUES

### ▲ AVERTISSEMENT

Lisez tous les avertissements de sécurité et toutes les instructions. Le non-respect de ces avertissements et de ces instructions peut entraîner un choc électrique, un incendie et/ou des blessures graves.

Conservez tous les avertissements et instructions pour référence ultérieure.

Le terme « outil électrique » dans les avertissements se réfère à votre outil électrique alimenté (avec fil) ou à votre outil électrique (sans fil) fonctionnant sur batterie.

### 2.1 SÉCURITÉ DE LA ZONE DE TRAVAIL

- Gardez la zone de travail propre et bien éclairée. Les endroits encombrés ou sombres favorisent les accidents.
- N'utilisez pas les outils électriques dans des environnements explosifs, par exemple en présence de liquides, gaz ou poussières inflammables. La mise en marche des outils électriques crée des étincelles qui peuvent enflammer la poussière ou les vapeurs.
- Tenez les enfants et les curieux à l'écart lorsque vous utilisez un outil électrique. Les distractions peuvent vous faire perdre le contrôle.

### 2.2 SÉCURITÉ ÉLECTRIQUE

- Les prises de l'outil électrique doivent être compatibles avec la prise de courant. Ne modifiez jamais la prise d'aucune façon. N'utilisez pas d'adaptateur de prise avec des outils à prise de terre. Des prises non modifiées et leurs prises de courant respectives réduisent les risques de choc électrique.
- Évitez que le corps n'entre en contact avec des surfaces mises à la terre comme les tuyaux, les radiateurs, les cuisinières et les réfrigérateurs. Il y a un risque accru de choc électrique si votre corps est en contact avec la terre.
- N'exposez pas les outils électriques à des conditions humides ou mouillées. L'eau qui pénètre dans un outil électrique augmente le risque de choc électrique.
- N'abusez pas du cordon. N'utilisez jamais le câble pour porter, tirer ou débrancher l'outil. Éloignez le cordon de la chaleur, de l'huile, des bords tranchants ou des pièces mobiles. Les cordons endommagés augmentent le risque d'un choc électrique.
- Lorsque vous utilisez un outil électrique en extérieur, utilisez une rallonge de câble adaptée à l'usage en extérieur. Utiliser un câble adapté à un usage en extérieur réduit le risque de choc électrique.
- Si vous ne pouvez éviter d'utiliser l'outil dans un environnement humide, utilisez une alimentation protégée à courant différentiel. Le respect de cette règle réduira le risque de chocs électriques.

### 2.3 SÉCURITÉS DES PERSONNES

- Restez vigilant, soyez attentif à ce que vous faites et faites preuve de bon sens lorsque vous utilisez un outil électrique. N'utilisez pas l'appareil lorsque vous êtes fatigué, sous l'emprise de l'alcool ou de drogues ou après avoir pris des médicaments. Un moment d'inattention lors de l'utilisation d'un outil électrique peut provoquer des blessures corporelles graves.
- Utilisez de l'équipement de protection individuelle. Portez toujours des lunettes de protection. L'utilisation

*d'équipement de protection adapté aux conditions masque antipoussière, chaussures de sécurité antidérapantes, casque et protections auditives, etc. permet de réduire les risques de blessures corporelles.*

- **Évitez tout démarrage accidentel. Assurez-vous que l'interrupteur soit en position d'arrêt avant de brancher l'outil à la source d'alimentation ou à la batterie et quand vous soulevez ou transportez l'outil.** *Transporter un outil électrique avec un doigt sur l'interrupteur ou le brancher sur une alimentation électrique alors que son interrupteur est en position marche favorise les accidents.*
- **Retirez les clefs de réglage et de serrage avant de mettre l'outil en marche.** *Une clef de réglage ou de serrage restée sur une pièce en rotation de l'outil électrique peut entraîner des blessures corporelles.*
- **Ne vous penchez pas trop en avant. Gardez un bon équilibre en tout temps.** *Ceci permet un meilleur contrôle de l'outil électrique dans des situations inattendues.*
- **Habillez-vous correctement. Ne portez pas de vêtements amples ou de bijoux.** *Veillez à ne pas approcher vos cheveux, vos vêtements et vos gants des pièces en mouvement. Les vêtements amples, les bijoux et les cheveux longs peuvent se prendre dans les pièces en mouvement.*
- **Si un appareil est conçu pour être utilisé avec des dispositifs d'extraction et de récupération des poussières, veillez à ce que ces dispositifs soient bien raccordés et correctement utilisés.** *L'utilisation de dispositifs de récupération des poussières permet de réduire les risques liés aux poussières.*
- **Ne laissez pas l'habitude des fréquentes utilisations vous faire oublier et ignorer les principes de sécurité.** *Une action négligente peut provoquer de graves blessures en une fraction de seconde.*

## 2.4 UTILISATION ET ENTRETIEN DES OUTILS ÉLECTRIQUES

- **Ne forcez pas l'outil électrique. Utilisez l'outil électrique adapté à votre application.** *L'outil électrique approprié fera mieux le travail et sera plus sécuritaire au rythme pour lequel il a été conçu.*
- **N'utilisez pas l'outil électrique si l'interrupteur ne le met pas en marche ou à l'arrêt.** *Tout outil électrique qui ne peut pas être contrôlé avec l'interrupteur est dangereux et doit être réparé.*
- **Débranchez la prise de la source d'alimentation et/ou de la batterie avant d'effectuer des réglages, de changer des accessoires ou de ranger l'outil électrique.** *De telles mesures de sécurité préventives réduisent le risque d'un démarrage accidentel de l'outil électrique*
- **Rangez les outils électriques inutilisés hors de portée des enfants et ne laissez pas des personnes qui ne se sont pas familiarisées avec l'outil électrique ou ces instructions l'utiliser.** *Les outils électriques sont dangereux entre les mains des utilisateurs non formés.*

- **Entretenez les outils électriques.** *Vérifiez le désalignement des pièces mobiles ou la fixation des pièces mobiles, la cassure des pièces et toute autre condition qui pourrait affecter le fonctionnement de l'outil électrique. S'il est endommagé, faites réparer l'outil électrique avant de l'utiliser. De nombreux accidents sont causés par des outils électriques mal entretenus.*
- **Gardez les outils de coupe propres et tranchants.** *Les outils de coupe bien entretenus avec des bords tranchants sont moins susceptibles de se coincer et sont plus faciles à contrôler.*
- **Utilisez l'outil électrique, les accessoires, les mèches, etc. conformément à ces instructions, en tenant compte des conditions de travail et des travaux à effectuer.** *L'utilisation de l'outil motorisé pour des opérations différentes de celles prévues pourrait entraîner une situation dangereuse.*
- **Veillez à ce que les poignées restent propres, sèches et exemptes d'huile et de graisse.** *Les poignées et surfaces de prise glissantes ne permettent pas de manipuler et de contrôler l'outil dans des situations inattendues.*

## 2.5 UTILISATION ET ENTRETIEN DE L'OUTIL À BATTERIE

- **Rechargez uniquement avec le chargeur spécifié par le fabricant.** *Un chargeur adapté à un type de bloc-batterie peut créer un risque d'incendie lorsqu'il est utilisé avec un autre bloc-batterie.*
- **Utilisez les outils électriques uniquement avec des batteries spécialement conçues à cet effet.** *L'utilisation de tous autres bloc-batteries peut créer un risque de blessure et d'incendie.*
- **Lorsque la batterie n'est pas utilisée, éloignez-la des autres objets métalliques tels qu'attaches trombones, pièces de monnaie, clés, clous, vis ou autres petits objets métalliques qui peuvent établir une connexion d'une borne à une autre.** *Le court-circuitage des bornes de la batterie peut provoquer des brûlures ou un incendie.*
- **Dans des conditions abusives, du liquide peut être éjecté de la batterie; évitez tout contact.** *En cas de contact accidentel, rincez avec de l'eau. En cas de contact avec les yeux, consultez également un médecin. Le liquide s'échappant des batteries peut causer des irritations ou des brûlures.*
- **N'utilisez pas un bloc-batterie ou un outil endommagé ou modifié.** *Les batteries endommagées ou modifiées peuvent présenter un fonctionnement imprévisible et provoquer un incendie, une explosion ou un risque de blessure.*
- **N'exposez pas un bloc-batterie ou un outil au feu ou à une température excessive.** *L'exposition au feu ou une température supérieure à 130 °C (265 °F) peut provoquer une explosion.*
- **Suivez toutes les instructions de recharge et ne rechargez pas la batterie ou l'outil en dehors de la plage de température spécifiée dans ces instructions.** *Un rechargement incorrect ou à des températures en*

dehors de la plage spécifiée peut endommager la batterie et augmenter le risque d'incendie.

## 2.6 SERVICE

- **Faites effectuer l'entretien de votre outil électrique par un réparateur qualifié en n'utilisant que des pièces de rechange identiques.** Cela garantira le maintien de la sécurité de l'outil électrique.
- **Ne réparez jamais un bloc-batterie endommagé.** L'entretien d'un bloc-batterie ne doit être effectué que par le fabricant ou des fournisseurs de service agréés.

## 3 AVERTISSEMENTS DE SÉCURITÉ POUR L'AGRAFEUSE

- **Partez toujours du principe que l'outil contient des attaches.** Une manipulation imprudente de l'agrafeuse peut entraîner un déclenchement inattendu des attaches et des blessures corporelles.
- **Ne dirigez pas l'outil vers vous ou vers quelqu'un à proximité.** Un déclenchement inattendu déchargera l'attache causant une blessure.
- **N'actionnez pas l'outil à moins que l'outil ne soit fermement placé contre la pièce à travailler.** Si l'outil n'est pas en contact avec la pièce, l'agrafeuse peut être déviée loin de votre cible.
- **Débranchez l'outil de la source d'alimentation lorsque l'attache se coince dans l'outil** Pendant le retrait d'une attache coincée, l'agrafeuse peut être activée accidentellement si elle est branchée.
- **Soyez prudent lorsque vous retirez une attache coincée.** Le mécanisme peut être sous compression et l'agrafeuse peut être déchargée avec force tout en essayant de libérer un état bloqué.
- **N'utilisez pas cette agrafeuse pour fixer des câbles électriques.** Il n'est pas conçu pour l'installation de câbles électriques et peut endommager l'isolation des câbles électriques, provoquant ainsi des risques d'électrocution ou d'incendie.
- **Maintenez l'outil électrique par ses surfaces isolées lorsque vous accomplissez une tâche où le clou pourrait entrer en contact avec un câblage invisible.** Les clous en contact avec un câble sous tension peuvent exposer des parties métalliques de l'outil et pourraient causer un choc électrique.
- **Protégez vos oreilles.** Portez un dispositif de protection anti-bruit pendant les périodes d'utilisation prolongées. Le respect de cette règle réduira le risque de vous blesser gravement.
- **Portez toujours des lunettes de protection avec des écrans latéraux marqués conformes à la norme ANSI Z87.1.** Le respect de cette règle réduira le risque de vous blesser gravement.
- **Protégez vos poumons.** Utilisez un masque facial ou un masque anti-poussière si l'opération est


poussièreuse. Le respect de cette règle réduira le risque de vous blesser gravement.




- **Retirez toujours la batterie avant de charger les clous de procéder au réglage, à l'inspection, à l'entretien ou à la fin de l'opération.**
- **Assurez-vous que personne n'est à proximité avant l'opération.** N'essayez jamais d'enfoncer les clous de l'intérieur et de l'extérieur du mur en même temps. Les clous peuvent se déchirer et/ou s'envoler, présentant un grave danger.
- **Surveillez votre appui et maintenez votre équilibre avec l'outil.** Assurez-vous qu'il n'y a personne en dessous lorsque vous travaillez dans des endroits élevés.
- **Vérifiez soigneusement les murs, plafonds, sols, toitures et autres pour éviter tout risque de choc électrique, de fuite de gaz, d'explosion, etc. causé par l'agrafage dans des fils sous tension, des conduits ou des conduites de gaz.**
- **Utilisez uniquement les clous spécifiés dans ce manuel.** L'utilisation de tout autre clou peut entraîner un dysfonctionnement de l'outil.
- **Ne pas altérer l'outil ou tenter de l'utiliser pour autre chose que le vissage de clous.**
- **N'utilisez pas l'outil sans clous.** Il raccourcit la durée de vie de l'outil.
- **Arrêtez immédiatement les opérations de conduite si vous remarquez quelque chose qui ne va pas ou qui sort de l'ordinaire avec l'outil.**
- **Ne jamais clous dans des matériaux qui pourraient permettre à aux clous de percer et de voler comme un projectile.**
- **Ne jamais appuyer en même temps sur la gâchette et le levier de sécurité avant d'être prêt à clouer des pièces.** Laissez la pièce enfoncer le levier de sécurité. Ne jamais contrecarrer son objectif en fixant le levier de sécurité en arrière ou en l'enfonçant à la main.
- **Ne modifiez jamais le levier de sécurité.** Vérifiez fréquemment le levier de sécurité pour un bon fonctionnement.
- **Gardez les mains et les pieds éloignés de la zone de l'orifice d'éjection.**
- **N'utilisez l'outil que pour l'usage auquel il est destiné.** Ne pas décharger les clous à l'air libre.
- **N'utilisez pas l'outil si la gâchette ne s'actionne pas correctement.**
- **Tout outil qui ne peut pas être contrôlé avec la gâchette est dangereux et doit être réparé.**
- **Vérifiez fréquemment le fonctionnement du mécanisme de contact de la pièce.** N'utilisez pas l'outil si le mécanisme de contact avec la pièce ne fonctionne pas correctement, car cela pourrait entraîner l'enfoncement accidentel d'un clou. Ne pas interférer avec le bon fonctionnement du mécanisme de contact de la pièce.
- **N'utilisez pas un outil qui ne fonctionne pas correctement.**

- **Lors d'une utilisation normale, l'outil reculera immédiatement après avoir enfoncé un clou. Il s'agit d'une fonction normale de l'outil. N'essayez pas d'empêcher le recul en tenant la cloueuse contre le travail. La restriction du recul peut entraîner l'enfoncement d'un deuxième clou de la cloueuse. Saisissez fermement la poignée, laissez l'outil faire le travail et ne placez jamais la seconde main sur le dessus de l'outil ou près de l'échappement. Le non-respect de cet avertissement peut entraîner des blessures graves.**
- **N'enfoncez pas de clous sur d'autres cloueuses ou avec l'outil à un angle trop prononcé, car cela pourrait entraîner une déviation des clous qui pourrait causer des blessures.**
- **Les outils à batterie ne doivent pas être branchés à une prise de courant, par conséquent, ils sont toujours opérationnels. Soyez conscient des dangers possibles lorsque vous n'utilisez pas votre outil à batterie ou lorsque vous changez d'accessoires. Suivre cette consigne réduira le risque de décharge électrique, d'incendie ou de blessures graves.**
- **Ne pas écraser, faire tomber ou abîmer le bloc-batterie. N'utilisez pas un bloc-batterie ou un chargeur qui est tombé ou qui a reçu des coups. Une batterie abîmée pourrait exploser. Débarrassez-vous immédiatement d'une batterie qui est tombée ou abîmée.**
- **Ne placez pas les outils à piles ou leurs piles à proximité d'un feu ou d'une source de chaleur. Cela réduira le risque d'explosion et d'éventuelles blessures. Pour plus d'informations sur la sécurité de la batterie et les instructions d'utilisation, veuillez vous référer aux instructions de la batterie et du chargeur.**
- **Conservez ces instructions. Consultez-les fréquemment et utilisez-les pour former d'autres utilisateurs qui pourraient utiliser cet outil. Si vous prêtez cet outil à quelqu'un, prêtez-lui aussi ces instructions.**

## 4 SYMBOLES FIGURANT SUR LA MACHINE




Certains des symboles suivants peuvent être utilisés sur ce produit. Veuillez les étudier et apprendre leur signification. Une bonne interprétation de ces symboles vous permettra de mieux utiliser le produit et de manière plus sécuritaire.

Symbole	Explication
V	Voltage
/min	Tours, coups, vitesse périphérique, orbites, etc., par minute
n <sub>0</sub>	Vitesse à vide
— — —	Courant continu - Type ou caractéristique du courant.
	Précautions destinées à assurer la sécurité.

Symbole	Explication
	Lisez et comprenez toutes les instructions avant d'utiliser cette machine, et suivez tous les avertissements et les consignes de sécurité.
	Portez des lunettes enveloppantes et un casque anti-bruit.
	Gardez les mains et le corps éloignés de la zone de décharge de l'outil.

## 5 NIVEAUX DE RISQUES

Les termes de mise en garde suivants et leur signification ont pour but d'expliquer les niveaux de risques associés à l'utilisation de ce produit.

SYMBOLE	SIGNAL	SIGNIFICATION
	DANGER	Indique une situation dangereuse imminente qui, si elle n'est pas évitée, peut entraîner la mort ou des blessures graves.
	AVERTISSEMENT	Indique une situation potentiellement dangereuse qui, si elle n'est pas évitée, peut entraîner la mort ou des blessures graves.
	MISE EN GARDE	Indique une situation potentiellement dangereuse qui, si elle n'est pas évitée, pourrait causer des blessures mineures ou modérées.
	MISE EN GARDE	(Sans symbole d'alerte de sécurité) indique une situation pouvant entraîner des dommages matériels.

## 6 ÉLIMINATION DES BATTERIES SANS DANGER POUR L'ENVIRONNEMENT



Les matières toxiques et corrosives ci-dessous se trouvent dans les batteries utilisées dans cette machine : **Lithium-ion, une substance toxique.**



## ▲ AVERTISSEMENT

Éliminez toutes les substances toxiques d'une manière spécifiée afin de prévenir la contamination de l'environnement. Avant de jeter une batterie au lithium-ion endommagée ou usée, contactez votre agence locale d'élimination des déchets ou l'agence locale de protection de l'environnement pour obtenir des informations et des instructions spécifiques. Apportez les batteries à un centre local de recyclage ou d'élimination certifié pour l'élimination de batteries au lithium-ion.

## ▲ AVERTISSEMENT

Si la batterie se fend ou se brise, avec ou sans fuites, ne la rechargez pas et ne l'utilisez pas. Jetez-la et remplacez-la par une nouvelle batterie. **N'ESSAYEZ PAS DE LA RÉPARER !** Pour prévenir les blessures et les risques d'incendie, d'explosion ou de décharge électrique, et pour éviter tout dommage à l'environnement :

- Couvrez les bornes de la batterie avec du ruban adhésif résistant.
- NE PAS essayer d'enlever ou de détruire les composants de la batterie.
- NE PAS essayer d'ouvrir ou de réparer la batterie.
- En cas de fuite, les électrolytes rejetés sont corrosifs et toxiques. NE PAS laisser entrer la solution dans les yeux ou en contact avec la peau et ne l'avalez pas.
- NE PAS jeter vos batteries usagées dans votre poubelle à ordures ménagères.
- NE PAS incinérer les batteries.
- NE PAS les mettre dans un endroit où ils feront partie d'un site d'enfouissement de déchets ou d'un flux de déchets solides municipaux.
- Emmenez-les dans un centre de recyclage ou d'élimination certifié.

## 7 PROPOSITION 65

### ▲ AVERTISSEMENT

Ce produit contient un produit chimique connu dans l'état de Californie comme étant une cause de cancer, de malformations congénitales ou d'autres problèmes de reproduction. Certaines poussières produites par le ponçage mécanique, le sciage, le meulage, le perçage et d'autres activités de construction contiennent des produits chimiques connus pour causer le cancer, des malformations congénitales ou d'autres problèmes de reproduction. Voici quelques exemples de ces produits chimiques :

- Plomb provenant de peintures à base de plomb;
- Silice cristalline provenant de briques, de ciment et d'autres produits de maçonnerie;
- Arsenic et chrome provenant de bois traité chimiquement.

Votre risque d'exposition à ces produits chimiques varie selon la fréquence à laquelle vous faites ce type de travail. Pour réduire votre exposition à ces produits chimiques, travaillez dans un endroit bien ventilé et utilisez un équipement de sécurité approuvé, comme des masques anti-poussière spécialement conçus pour filtrer les particules microscopiques.

Conservez ces instructions.

## 8 INSTALLATION

### 8.1 DÉBALLER LA MACHINE

#### ▲ AVERTISSEMENT

Assurez-vous d'assembler correctement la machine avant de l'utiliser.

#### ▲ AVERTISSEMENT

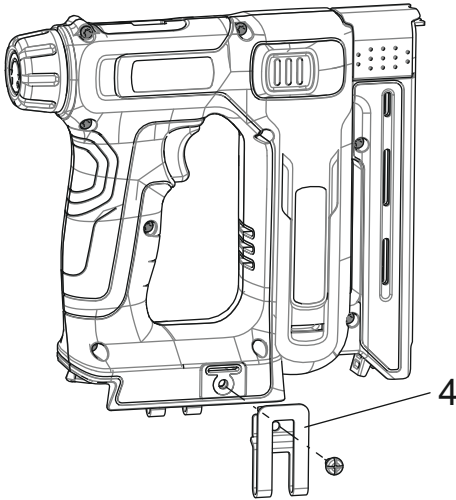
- Si les pièces de la machine sont endommagées, ne l'utilisez pas.
- Si vous n'avez pas toutes les pièces, n'utilisez pas la machine.
- Si des pièces sont endommagées ou manquantes, communiquez avec le centre de service.

1. Ouvrez l'emballage.
2. Lisez la documentation contenue dans la boîte.
3. Retirez toutes les pièces non assemblées de la boîte.
4. Retirez la machine de sa boîte.
5. Jetez la boîte et l'emballage conformément aux règlements locaux.

#### ▲ AVERTISSEMENT

Pour votre sécurité personnelle, n'insérez pas la batterie avant que l'outil ne soit complètement assemblé.

## 8.2 INSTALLER LE CLIP DE CEINTURE

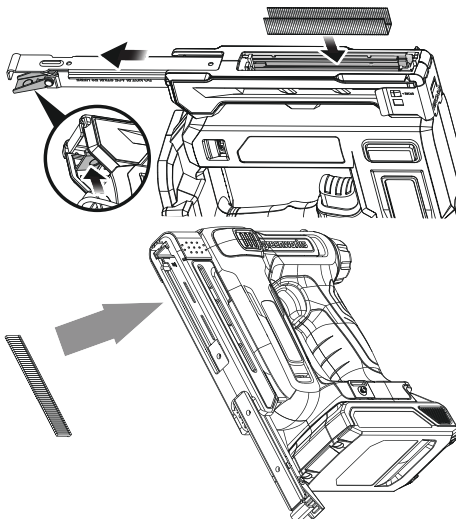


### i REMARQUE

Le clip de ceinture peut être installé d'un côté ou de l'autre du boîtier.

1. Retirez le bloc-batterie de la machine.
2. Alignez le clip de ceinture avec le trou de l'agrafeuse.
3. Serrer la vis.

## 8.3 CHARGER LES AGRAFES

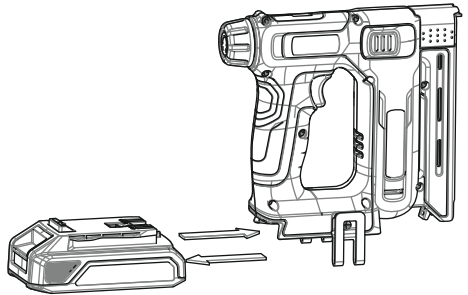


### i REMARQUE

Retirez le bloc-batterie.

1. Tenez l'outil à l'envers. Pressez le loquet du magasin et faites glisser le magasin pour l'ouvrir.
2. Insérez les agrafes dans le canal avec le côté couronne vers le bas et les pattes vers le haut.
3. Pour fermer le magasin, poussez-le dans l'outil jusqu'à ce qu'il s'enclenche.
4. Une fenêtre d'indication sur le côté de l'outil permet à l'opérateur de savoir quand l'outil manque d'agrafes.

## 8.4 INSTALLER LE BLOC-BATTERIE



### ▲ AVERTISSEMENT

- Si le bloc-batterie ou le chargeur est endommagé, remplacez-le, au besoin.
- Arrêtez la machine et attendez que le moteur s'arrête avant d'installer ou de retirer le bloc-batterie.
- Lisez et comprenez les instructions du manuel du bloc-batterie et du chargeur.

1. Alignez les languettes du bloc-batterie avec les rainures du compartiment de batterie.
2. Poussez le bloc-batterie dans le compartiment de batterie jusqu'à ce qu'il soit bien encliqueté.
3. Vous devriez entendre un clic lorsque le bloc-batterie sera inséré correctement.

## 8.5 RETIREZ LE BLOC-BATTERIE

1. Poussez et maintenez enfoncé le bouton de déblocage de la batterie.
2. Retirez le bloc-batterie de la machine.

## 9 UTILISATION

### i IMPORTANT

Avant d'utiliser la machine, lisez et comprenez les consignes de sécurité et les instructions d'utilisation.

## ▲ AVERTISSEMENT

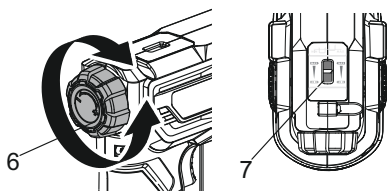
Soyez prudent lorsque vous utilisez la machine.

## 10 UTILISATION

### ▲ AVERTISSEMENT

N'utilisez pas d'autres pièces ou d'accessoires non recommandés par le fabricant de ce produit.

### 10.1 RÉGLER LA PROFONDEUR DES AGRAFES



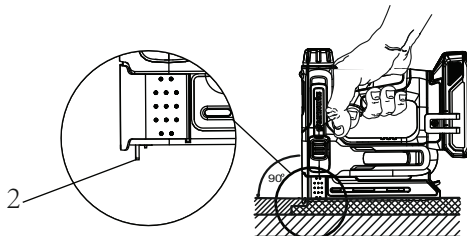
Le bouton de réglage de la profondeur augmente ou diminue la force avec laquelle une agrafe est enfoncée dans la pièce. L'indicateur de force d'entraînement, situé sur le dessus de l'outil, indique la profondeur à laquelle l'agrafe pénètre dans la pièce. Les matériaux plus durs nécessitent une plus grande force d'entraînement.

1. Retirez le bloc-batterie.
2. Tournez le bouton de réglage de la profondeur dans le sens des aiguilles d'une montre pour augmenter la force d'entraînement.
3. Pour tester la profondeur désirée, utilisez une chute du même matériau que celui que vous utiliserez pour votre projet.

### i REMARQUE

Gardez toujours vos doigts éloignés de la zone de décharge de l'outil lorsque vous enfoncez une agrafe et lorsque vous utilisez l'accessoire pour installer un écran ou un fil. Le fait de ne pas garder les doigts à l'écart peut entraîner des blessures graves.

### 10.2 ENFONCER UNE AGRAFE



1. Tenez fermement la poignée avec le nez de l'outil à plat contre la pièce à un angle de 90°.
2. Appuyer le pied d'activation de l'agrafeuse contre la pièce. Le pied d'activation doit être enfoncé avant d'appuyer sur la gâchette de l'interrupteur.
3. L'outil enfonce une autre agrafe chaque fois que la gâchette est enfoncée, tant que le pied d'activation est enfoncé.

### 10.3 ACCESSOIRE FIL ET ÉCRAN

L'accessoire pour fil et écran inclus avec l'agrafeuse est utile pour fixer un écran ou un fil à un cadre en bois ou à une pièce de travail. Un bord de l'accessoire est utilisé pour le fil de clôture, tandis que l'autre bord sert à fixer le grillage.

Enfoncez une agrafe d'essai dans une chute du même matériau que celui que vous utiliserez pour votre projet afin de tester la force d'enfoncement souhaitée.

Pour installer l'accessoire : Retirez le bloc-piles et sélectionnez l'application souhaitée; Tournez le bord sélectionné vers le nez de l'outil; Faites glisser l'accessoire sur le nez de l'outil jusqu'à ce qu'il se mette en place sur la languette de chaque côté de l'outil.

## 11 ENTRETIEN

### ▲ ATTENTION

Évitez que les liquides de freins, l'essence et les matériaux à base de pétrole ne viennent en contact avec les pièces en plastique. Les produits chimiques peuvent endommager le plastique et le rendre inutilisable.

### ▲ ATTENTION

N'utilisez pas de solvants ou de détergents puissants sur le boîtier ou les composants en plastique.

### ▲ AVERTISSEMENT

Retirez le bloc-batterie de la machine avant l'entretien.

### 11.1 RETIRER UNE AGRAFE COINCÉE

1. Si une agrafe est coincée dans l'outil, vous devez la retirer avant toute autre utilisation. Si vous tentez d'enfoncer une agrafe alors que l'outil est bloqué, vous risquez d'endommager le mécanisme.
2. Retirez le bloc-batterie.
3. Tenez l'outil à l'envers. Pressez le loquet du magasin et faites glisser le magasin pour l'ouvrir.
4. Retirer les agrafes non utilisées.
5. Retirez l'agrafe coincée à l'aide d'une pince à bec effilé.

## 12 DONNÉES TECHNIQUES

Voltage	24 V
---------	------

Vitesse d'agrafage	60 agrafes/min
Type d'agrafe	18 GA / T-50
La capacité du chargeur	Agrafes85 U-Type/Agrafes 85 T-Type
Taille de la couronne de l'agrafe	3/8"
Longueur de l'agrafe	U-Type6-14 mm/T-Type 15mm
Poids (sans bloc-batterie)	2.98 lb (1.35 kg)
Modèle de la batterie	LB24A020/BAG708 et autres BAG séries
Chargeur modèle	2978602/2903102 et autres CAG séries

### FRAIS DE TRANSPORT :

Les frais de transport pour le déplacement de tout équipement motorisé ou accessoire sont à la charge de l'acheteur. Il incombe à l'acheteur de payer les frais de transport pour toute pièce retournée pour remplacement en vertu de la présente garantie, à moins qu'un tel retour soit demandé par écrit par Greenworks.

### Adresse aux États-Unis : Adresse au Canada :

Greenworks Tools	Greenworks Tools Canada Inc.
P.O. Box 1238	P.O. Box 93095, Newmarket, Ontario
Mooresville, NC 28115	L3Y 8K3

## 13 GARANTIE LIMITÉE



Greenworks garantit par la présente ce produit, à l'acheteur original avec preuve d'achat, pour une période de trois (3) ans contre tout défaut de matériaux, de pièces ou de main-d'œuvre. Greenworks, à sa propre discrétion, réparera ou remplacera toutes les pièces défectueuses, dans des conditions normales d'utilisation, sans frais pour le client. Cette garantie n'est valable que pour les appareils qui ont été utilisés à des fins personnelles, qui n'ont pas été loués à des fins industrielles ou commerciales et qui ont été entretenus conformément aux instructions du manuel du propriétaire fourni avec le produit neuf.

### ARTICLES NON COUVERTS PAR LA GARANTIE :

1. Toute pièce qui est devenue inopérante en raison d'une mauvaise utilisation, d'une utilisation commerciale, d'un abus, d'une négligence, d'un accident, d'un entretien inapproprié ou d'une modification; ou
2. L'appareil, s'il n'a pas été utilisé et/ou entretenu conformément au manuel du propriétaire; ou
3. Usure normale;
4. Articles d'entretien courant tels que lubrifiants, affûtage des lames;
5. Détérioration normale du fini extérieur due à l'utilisation ou à l'exposition.

### ASSISTANCE TÉLÉPHONIQUE :

Le service de garantie est accessible en appelant notre ligne d'assistance téléphonique sans frais, au 1-888-909-6757.

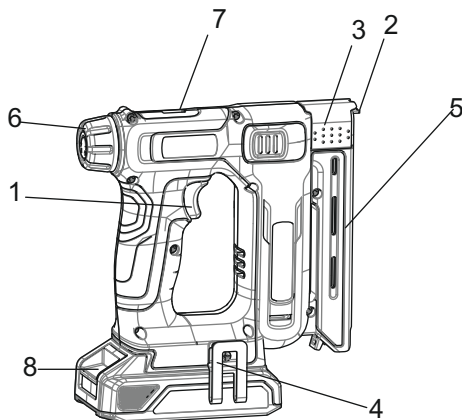
<b>1</b>	<b>Descripción.....</b>	<b>21</b>	<b>6</b>	<b>Eliminación de batería segura para el medio ambiente.....</b>	<b>25</b>
1.1	Finalidad.....	21	<b>7</b>	<b>Propuesta 65.....</b>	<b>25</b>
1.2	Perspectiva general.....	21	<b>8</b>	<b>Instalación.....</b>	<b>25</b>
1.3	Lista de embalaje.....	21	8.1	Desembalaje de la máquina.....	25
<b>2</b>	<b>Advertencias generales de seguridad para herramientas eléctricas.....</b>	<b>21</b>	8.2	Instalación de la pinza para cinturón.....	26
2.1	Seguridad de la zona de trabajo.....	21	8.3	Carga de grapas.....	26
2.2	Seguridad eléctrica.....	21	8.4	Instalación de la batería.....	26
2.3	Seguridad personal.....	21	8.5	Retirada de la batería.....	27
2.4	Utilización y cuidado de herramientas eléctricas.....	22	<b>9</b>	<b>Funcionamiento.....</b>	<b>27</b>
2.5	Utilización y cuidado de herramientas a batería.....	22	<b>10</b>	<b>Funcionamiento.....</b>	<b>27</b>
2.6	Servicio.....	23	10.1	Ajuste de la profundidad de grapa.....	27
<b>3</b>	<b>Advertencias de seguridad para grapadoras.....</b>	<b>23</b>	10.2	Clavado de una grapa.....	27
<b>4</b>	<b>Símbolos en el producto.....</b>	<b>24</b>	10.3	Accesorio para alambre y malla.....	27
<b>5</b>	<b>Niveles de riesgo.....</b>	<b>24</b>	<b>11</b>	<b>Mantenimiento.....</b>	<b>28</b>
			11.1	Retirada de una grapa atascada.....	28
			<b>12</b>	<b>Datos técnicos.....</b>	<b>28</b>
			<b>13</b>	<b>Garantía limitada.....</b>	<b>28</b>

## 1 DESCRIPCIÓN

### 1.1 FINALIDAD

Puede utilizar este producto para los siguientes fines: Clavado de grapas en madera; Con el accesorio incluido, clavado de grapas para fijar alambros y mallados.

### 1.2 PERSPECTIVA GENERAL



- |                                  |                                     |
|----------------------------------|-------------------------------------|
| 1 Gatillo interruptor            | 6 Mando de ajuste de profundidad    |
| 2 Pie de activación              | 7 Indicador de fuerza de clavado    |
| 3 Accesorio para alambre y malla | 8 Botón de desbloqueo de la batería |
| 4 Pinza para cinturón            |                                     |
| 5 Almacén                        |                                     |

### 1.3 LISTA DE EMBALAJE

- |                       |                     |
|-----------------------|---------------------|
| 1 Grapadora de corona | 3 Tipo T (500 uds.) |
| 2 Manual              | 4 Tipo U (500 uds.) |

## 2 ADVERTENCIAS GENERALES DE SEGURIDAD PARA HERRAMIENTAS ELÉCTRICAS

### ▲ AVISO

Lea todas las advertencias de seguridad y todas las instrucciones. El incumplimiento de las advertencias e instrucciones puede provocar descargas eléctricas, incendios o lesiones graves.

Guarde todas las advertencias e instrucciones para su consulta posterior.

El término "herramienta eléctrica" empleado en las advertencias se refiere a su herramienta eléctrica con

funcionamiento de red (con cable) o herramienta eléctrica con funcionamiento a batería (inalámbrica).

### 2.1 SEGURIDAD DE LA ZONA DE TRABAJO

- **Mantenga limpia y bien iluminada la zona de trabajo.** Las zonas desordenadas u oscuras fomentan los accidentes.
- **No utilice herramientas eléctricas en atmósferas explosivas, como en la presencia de líquidos, gases o polvo que puedan inflamarse.** Las herramientas eléctricas generan chispas que pueden encender el polvo o los gases.
- **Mantenga alejados a los niños y los transeúntes mientras utilice una herramienta eléctrica.** Las distracciones pueden hacer que pierda el control.

### 2.2 SEGURIDAD ELÉCTRICA

- **Los enchufes de las herramientas eléctricas deben corresponder con la toma de corriente.** Nunca modifique el enchufe en modo alguno. No utilice enchufes adaptadores con herramientas eléctricas conectadas a tierra. La utilización de enchufes no modificados y de tomas de corriente adecuadas reducirá el riesgo de descarga eléctrica.
- **Evite el contacto del cuerpo con superficies conectadas a tierra, como tuberías, radiadores, estufas y refrigeradores.** Existe un riesgo aumentado de descarga eléctrica si su cuerpo está conectado a tierra.
- **No exponga las herramientas eléctricas a la lluvia o a condiciones de humedad.** Si penetra agua en una herramienta eléctrica, aumentará el riesgo de descarga eléctrica.
- **No abuse del cable.** Nunca utilice el cable para transportar, tirar o desenchufar la herramienta eléctrica. Mantenga el cable alejado del calor, el aceite, los bordes afilados o las piezas móviles. Los cables dañados o enredados aumentan el riesgo de descarga eléctrica.
- **Cuando utilice una herramienta eléctrica en exteriores, use un cable alargador adecuado para uso en exterior.** La utilización de un cable adecuado para uso en exterior reduce el riesgo de descarga eléctrica.
- **Si no es inevitable el uso de una herramienta eléctrica en un lugar húmedo, utilice un suministro protegido por un dispositivo de corriente residual (RCD).** La utilización de un RCD reduce el riesgo de descarga eléctrica.

### 2.3 SEGURIDAD PERSONAL

- **Manténgase alerta, observe lo que está haciendo y emplee el sentido común cuando utilice una herramienta eléctrica.** No utilice una herramienta eléctrica mientras esté cansado o bajo la influencia de drogas, alcohol o medicamentos. Un momento de

inatención durante el uso de herramientas eléctricas puede provocar lesiones personales graves.

- **Utilice equipos de protección personal.** Lleve siempre **protección ocular.** Si se utilizan equipos de protección como máscaras antipolvo, zapatos de seguridad antideslizantes, cascos o protecciones auditivas en las condiciones adecuadas, se reducirán las lesiones personales.
- **Evite el arranque accidental.** Asegúrese de que el interruptor esté en la posición de apagado antes de conectar a la fuente de alimentación o a la batería, al coger o al transportar la herramienta. El transporte de herramientas eléctricas con el dedo en el interruptor o la conexión de herramientas eléctricas que tienen el interruptor activado fomenta los accidentes.
- **Retire cualquier llave de ajuste antes de encender la herramienta eléctrica.** Una llave que se quede fijada a una pieza giratoria de la herramienta eléctrica puede provocar lesiones personales.
- **No se estire.** Mantenga en todo momento una postura adecuada y el equilibrio. Esto permite un mejor control de la herramienta eléctrica en situaciones inesperadas.
- **Lleve indumentaria adecuada.** No lleve ropa o joyas sueltas. Mantenga el cabello, la ropa y los guantes lejos de las piezas móviles. La ropa suelta, las joyas o el cabello largo pueden quedar atrapados en las piezas móviles.
- **Si se utilizan dispositivos para la conexión de sistemas de extracción y recogida de polvo,** asegúrese de que estén conectados y se utilicen correctamente. La utilización de sistemas de recogida de polvo puede reducir los riesgos relacionados con el polvo.
- **No permita que la familiaridad adquirida con el uso frecuente de las herramientas le permita ser confiado e ignorar los principios de seguridad de las herramientas.** Una acción descuidada puede provocar lesiones graves en una fracción de segundo.

## 2.4 UTILIZACIÓN Y CUIDADO DE HERRAMIENTAS ELÉCTRICAS

- **No fuerce la herramienta eléctrica.** Utilice la herramienta eléctrica correcta para su aplicación. La herramienta eléctrica correcta hará el trabajo mejor y con mayor seguridad a la velocidad para la que se diseñó.
- **No utilice la herramienta eléctrica si el interruptor no la enciende y la apaga.** Cualquier herramienta eléctrica que no pueda controlarse con el interruptor es peligrosa y debe repararse.
- **Desconecte el enchufe de la fuente de alimentación o la batería de la herramienta eléctrica antes de realizar ajustes, cambiar accesorios o almacenar herramientas eléctricas.** Estas medidas de seguridad preventivas reducen el riesgo de que la herramienta eléctrica se ponga en marcha accidentalmente.
- **Almacene las herramientas eléctricas inactivas fuera del alcance de los niños y no permita que personas que**

**no estén familiarizadas con la herramienta eléctrica o estas instrucciones puedan utilizarla.** Las herramientas eléctricas son peligrosas en manos de usuarios inexpertos.

- **Realice el mantenimiento de las herramientas eléctricas.** Compruebe si hay desalineación o unión de las piezas móviles, rotura de piezas y cualquier otra condición que pueda afectar al funcionamiento de la herramienta eléctrica. Si ha sufrido daños, lleve a reparar la herramienta eléctrica antes del uso. Numerosos accidentes se deben a herramientas eléctricas mal mantenidas.
- **Mantenga limpias y afiladas las herramientas de corte.** Las herramientas de corte mantenidas correctamente con filos cortantes tienen menos probabilidades de atascarse y son más fáciles de controlar.
- **Utilice la herramienta eléctrica, los accesorios, las brocas, etc. de acuerdo con estas instrucciones,** teniendo en cuenta las condiciones de trabajo y el trabajo a realizar. El uso de la herramienta eléctrica para operaciones distintas de las previstas podría dar lugar a una situación peligrosa.
- **Mantenga las asas y las superficies de agarre secas, limpias y sin restos de aceite y grasa.** Las asas y las superficies de agarre resbaladizas no permiten un manejo y control seguros de la herramienta en situaciones inesperadas.

## 2.5 UTILIZACIÓN Y CUIDADO DE HERRAMIENTAS A BATERÍA

- **Recargue solo con el cargador especificado por el fabricante.** Un cargador adecuado para un tipo de batería crear a un riesgo de incendio cuando se utiliza con otro tipo de batería.
- **Utilice las herramientas eléctricas únicamente con las baterías designadas específicamente.** El uso de cualquier otra batería puede dar lugar a un riesgo de lesiones e incendio.
- **Cuando la batería no esté en uso, manténgala alejada de otros objetos metálicos como clips, monedas, llaves, clavos, tornillos u otros objetos metálicos pequeños que puedan hacer una conexión entre los terminales.** El cortocircuito de los terminales de la batería puede provocar quemaduras o incendios.
- **Bajo condiciones abusivas, es posible que salga líquido de la batería; evite el contacto.** En caso de un contacto accidental, lavar con abundante agua. Si el líquido entra en contacto con los ojos, acuda también al médico. El líquido de la batería puede provocar irritación o quemaduras.
- **No utilice una batería o una herramienta que haya sufrido daños o modificaciones.** Las baterías dañadas o modificadas pueden exhibir un comportamiento impredecible que puede causar un incendio, una explosión o un riesgo de lesiones.
- **No exponga una batería o una herramienta al fuego ni a temperatura excesiva.** La exposición al fuego o a una

temperatura superior a 130 °C (265 °F) puede provocar una explosión.

- **Siga todas las instrucciones de carga y no cargue la batería o la herramienta fuera del intervalo de temperatura especificado en las instrucciones.** La carga incorrecta o a temperaturas fuera del intervalo especificado puede dañar la batería y aumentar el riesgo de incendio.

## 2.6 SERVICIO

- **Solicite a un técnico de reparación cualificado que realice las tareas de servicio de su herramienta eléctrica utilizando únicamente piezas de repuesto idénticas.** Esto garantizará el mantenimiento de la seguridad de la herramienta eléctrica.
- **Nunca repare las baterías dañadas.** La reparación de las baterías únicamente debe ser realizada por el fabricante o los proveedores de servicio técnico autorizados.

## 3 ADVERTENCIAS DE SEGURIDAD PARA GRAPADORAS

- **Asuma siempre que la herramienta contiene elementos de fijación.** Un manejo descuidado de la grapadora puede provocar un disparo inesperado de los elementos de fijación y lesiones personales.
- **No apunte la herramienta hacia usted ni hacia alguien cercano.** La activación inesperada descargará el elemento de fijación provocando una lesión.
- **No accione la herramienta a menos que esté firmemente colocada contra la pieza de trabajo.** Si la herramienta no está en contacto con la pieza de trabajo, el elemento de fijación puede desviarse de su objetivo.
- **Desconecte la herramienta de la fuente de alimentación cuando el elemento de fijación se atasque en la herramienta.** Al retirar un elemento de fijación atasgado, la grapadora puede activarse accidentalmente si está enchufada.
- **Tenga cuidado al retirar un elemento de fijación atasgado.** El mecanismo puede estar bajo compresión y el elemento de fijación puede descargarse con fuerza al intentar liberar un atasco.
- **No utilice esta grapadora para fijar cables eléctricos.** No se ha diseñado para la instalación de cables eléctricos y puede dañar el aislamiento de los mismos, provocando así descargas eléctricas o riesgos de incendio.
- **Sujete la herramienta eléctrica únicamente por las superficies de agarre aisladas cuando realice una operación en la que los clavos puedan entrar en contacto con cableado oculto.** Si los clavos entran en contacto con un cable "con corriente", esto puede hacer que las piezas metálicas expuestas de la herramienta eléctrica "tengan corriente" y podrían producir una descarga eléctrica al operario.






- **Proteja sus oídos.** Lleve protección auditiva durante períodos prolongados de funcionamiento. Si sigue esta regla, reducirá el riesgo de lesiones personales graves.
- **Lleve siempre protección ocular con protectores laterales marcados para cumplir la ANSI Z87.1.** Si sigue esta regla, reducirá el riesgo de lesiones personales graves.
- **Proteja sus pulmones.** Lleve una máscara facial o antipolvo si se levanta polvo durante el funcionamiento. Si sigue esta regla, reducirá el riesgo de lesiones personales graves.
- **Retire siempre el cartucho de la batería antes de cargar los clavos, de realizar tareas de ajuste, inspección, mantenimiento o después de finalizar el uso.**
- **Asegúrese de que no haya nadie cerca antes de la utilización.** Nunca intente clavar clavos desde el interior y el exterior de la pared al mismo tiempo. Los clavos pueden romperse o salir despedidos, lo que supone un grave peligro.
- **Adopte una buena posición y mantenga el equilibrio con la herramienta.** Asegúrese de que no haya nadie debajo cuando trabaje en lugares elevados.
- **Compruebe detenidamente las paredes, techos, suelos, tejados y similares para evitar posibles descargas eléctricas, fugas de gas, explosiones, etc. causadas por el grapado en cables con corriente, conductos o tuberías de gas.**
- **Utilice únicamente los clavos que se especifican en este manual.** El uso de cualquier otro tipo de clavos puede provocar un fallo de la herramienta.
- **No manipule la herramienta ni intente utilizarla para algo que no sea clavar clavos.**
- **No utilice la herramienta sin clavos.** Esto acortará la vida útil de la herramienta.
- **Detenga inmediatamente las operaciones de clavado si observa algo incorrecto o fuera de lo normal en la herramienta.**
- **Nunca clave en materiales que puedan ser perforados y atravesados por los clavos y salir despedidos como un proyectil.**
- **Nunca accione el gatillo interruptor y la palanca de seguridad al mismo tiempo hasta que esté preparado para clavar piezas de trabajo.** Deje que la pieza de trabajo presione la palanca de seguridad. Nunca anule su propósito fijando la palanca de seguridad hacia atrás o presionándola a mano.
- **Nunca manipule la palanca de seguridad.** Compruebe con frecuencia el correcto funcionamiento de la palanca de seguridad.
- **Mantenga las manos y los pies alejados de la zona del orificio de expulsión.**
- **Utilice la herramienta únicamente para su uso previsto.** No lance clavos al aire.
- **No utilice la herramienta si el gatillo no funciona correctamente.**



- **Cualquier herramienta que no pueda controlarse con el gatillo es peligrosa y debe repararse.**
- **Compruebe con frecuencia el funcionamiento del mecanismo de contacto con la pieza de trabajo.** *No utilice la herramienta si el mecanismo de contacto con la pieza de trabajo no funciona correctamente, ya que podría producirse el clavado accidental de un clavo. No interfiera con el funcionamiento correcto del mecanismo de contacto con la pieza de trabajo.*
- **No utilice una herramienta que no funcione correctamente.**
- **Durante el uso normal, la herramienta retrocederá inmediatamente después de clavar un clavo.** *Se trata de una función normal de la herramienta. No intente evitar el retroceso sujetando la clavadora contra la pieza de trabajo. La restricción del retroceso puede dar lugar a que la clavadora introduzca un segundo clavo. Agarre la empuñadura con firmeza, deje que la herramienta haga el trabajo y no coloque la segunda mano encima de la herramienta o cerca del punto de expulsión en ningún momento. De no seguirse esta advertencia pueden producirse lesiones personales graves.*
- **No clave clavos encima de otros clavos o con la herramienta a un ángulo demasiado pronunciado, ya que esto puede provocar la desviación de los clavos, lo que podría producir lesiones.**
- **Las herramientas a batería no tienen que estar enchufadas en una toma eléctrica; por tanto, siempre están en condiciones de funcionamiento.** **Esté atento a posibles riesgos cuando no utilice su herramienta a batería o al cambiar accesorios.** *Si sigue esta regla reducirá el riesgo de descargas eléctricas, incendios o lesiones personales graves.*
- **No aplaste, deje caer ni dañe la batería. No utilice una batería o un cargador que se haya caído o recibido un golpe fuerte.** *Una batería dañada podría explotar. Deseche inmediatamente y de forma adecuada una batería caída o dañada.*
- **No coloque las herramientas a batería o sus baterías cerca del fuego o el calor.** *Esto reducirá el riesgo de explosión y posibles lesiones. Para obtener más información sobre la seguridad de la batería y las instrucciones de funcionamiento, consulte las instrucciones de la batería y el cargador.*
- **Conserve estas instrucciones.** *Consúltelas con frecuencia y utilícelas para instruir a otras personas que puedan utilizar esta herramienta. Si presta esta herramienta a otra persona, también debe prestarle estas instrucciones.*




## 4 SÍMBOLOS EN EL PRODUCTO

En el producto pueden utilizarse algunos de los siguientes símbolos. Le rogamos que los estudie y aprenda su significado. La interpretación correcta de estos símbolos le permitirá manejar el producto mejor y de manera más segura.

Símbolo	Explicación
V	Tensión
/min	Revoluciones, carreras, velocidad de superficie, órbitas, etc., por minuto
$n_0$	Velocidad sin carga
	Tipo de corriente directa o característica de corriente.
	Precauciones que afectan a su seguridad.
	Debe leer y entender todas las instrucciones antes de manejar el producto, así como seguir todas las advertencias e instrucciones de seguridad.
	Lleve protección ocular y auditiva.
	Mantenga las manos y el cuerpo alejados de la zona de descarga de la herramienta.

## 5 NIVELES DE RIESGO

Las siguientes indicaciones y los significados explican los niveles de riesgo asociados a este producto.

SÍMBOLO	INDICACIÓN	SIGNIFICADO
	PELIGRO	Indica una situación de peligro inminente que, de no evitarse, provocará lesiones graves o incluso la muerte.
	ADVERTENCIA	Indica una situación de peligro potencial que, de no evitarse, podría provocar lesiones graves o incluso la muerte.
	PRECAUCIÓN	Indica una situación de peligro potencial que, de no evitarse, puede provocar lesiones leves o moderadas.
	PRECAUCIÓN	(Sin símbolo de alerta sobre seguridad) Indica una situación que puede provocar daños materiales.

## 6 ELIMINACIÓN DE BATERÍA SEGURA PARA EL MEDIO AMBIENTE



Los materiales tóxicos y corrosivos que figuran a continuación se encuentran en las baterías utilizadas en esta máquina: **Ion de litio, un material tóxico.**

### ▲ AVISO

Deseche todos los materiales tóxicos de una manera especificada para evitar la contaminación del medio ambiente. Antes de desechar una batería de ion de litio dañada o agotada, contacte con la agencia local de eliminación de residuos o con la agencia de protección ambiental local para obtener información e instrucciones específicas. Lleve las baterías a un centro de reciclaje o eliminación local, certificado para la eliminación de ion de litio.

### ▲ AVISO

Si la batería se agrieta o se rompe, con o sin fugas, no la recargue ni la utilice. Deséchela y sustitúyala por una batería nueva. ¡NO INTENTE REPARARLA! Para evitar lesiones y riesgos de incendio, explosión o descarga eléctrica, y para evitar daños al medio ambiente:

- Cubra los terminales de la batería con cinta adhesiva resistente.
- NO intente retirar o destruir ninguno de los componentes de la batería.
- NO intente abrir la batería.
- Si se produce una fuga, los electrolitos liberados son corrosivos y tóxicos. NO deje que la solución entre en contacto con los ojos o la piel, y no la ingiera.
- NO deseche estas baterías con la basura doméstica normal.
- NO incinere.
- NO lleve las baterías a lugares donde formarán parte de vertederos de residuos o flujos de residuos sólidos urbanos.
- Llévelas a un centro de reciclaje o eliminación certificado.

## 7 PROPUESTA 65

### ▲ AVISO

Este producto contiene una sustancia química conocida en el estado de California como causante de cáncer, defectos de nacimiento u otros daños reproductivos. El polvo generado por el lijado eléctrico, el serrado, el esmerlado, la perforación y otras actividades de construcción contiene sustancias químicas que se sabe que son causantes de cáncer, defectos de nacimiento u otros daños reproductivos. Algunos ejemplos de estas sustancias químicas son:

- Plomo de pinturas con base de plomo;
- Sílice cristalina de ladrillos y cemento y otros productos de albañilería;
- Arsénico y cromo de la madera tratada químicamente.

El riesgo de exposición a estas sustancias químicas varía según la frecuencia con la que realice este tipo de trabajo. Para reducir su exposición a estas sustancias químicas, trabaje en una zona bien ventilada y trabaje con equipos de seguridad aprobados, como máscaras antipolvo, que estén especialmente diseñadas para filtrar partículas microscópicas.

Conservar estas instrucciones.

## 8 INSTALACIÓN

### 8.1 DESEMBALAJE DE LA MÁQUINA

### ▲ AVISO

Asegúrese de montar correctamente la máquina antes del uso.

### ▲ AVISO

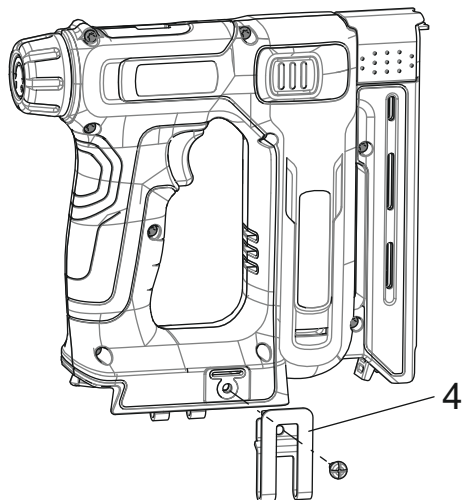
- Si las piezas de la máquina presentan daños, no utilice la máquina.
- Si no tiene todas las piezas, no utilice la máquina.
- Si faltan piezas o hay piezas dañadas, contacte con el centro de servicio.

1. Abra el embalaje.
2. Lea la documentación que se proporciona en la caja.
3. Retire todas las piezas sin montar de la caja.
4. Retire la máquina de la caja.
5. Deseche la caja y el material de embalaje de conformidad con los reglamentos locales.

### ▲ AVISO

Por su seguridad personal, no inserte la batería antes de haber montado la herramienta por completo.

## 8.2 INSTALACIÓN DE LA PINZA PARA CINTURÓN PARA CINTURÓN

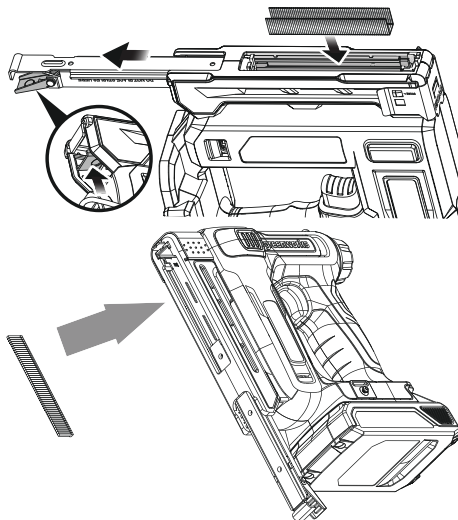


### **i** NOTA

La pinza para cinturón puede instalarse en cualquier lado de la carcasa.

1. Retire la batería de la máquina.
2. Alinee la pinza para cinturón con el orificio de la grapadora.
3. Apriete el tornillo.

## 8.3 CARGA DE GRAPAS

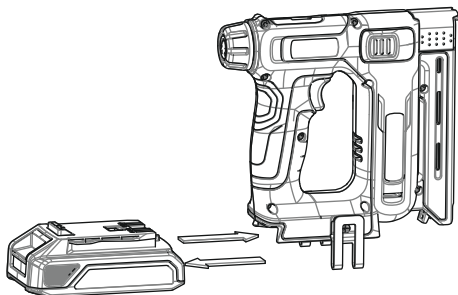


### **i** NOTA

Retire la batería.

1. Mantenga la herramienta al revés. Apriete el pestillo del almacén y deslice el almacén para abrirlo.
2. Introduzca las grapas en el canal con la parte de la corona hacia abajo y las patas hacia arriba.
3. Para cerrar el almacén, introdúzcalo en la herramienta hasta que encaje.
4. Una ventanilla indicadora en el lateral de la herramienta permite al operario saber cuándo la herramienta se está quedando sin grapas.

## 8.4 INSTALACIÓN DE LA BATERÍA



**▲ AVISO**

- Si la batería o el cargador ha sufrido daños, sustituya la batería o el cargador.
- Detenga la máquina y espere hasta que el motor se pare antes de instalar o retirar la batería.
- Debe leer y entender las instrucciones del manual de la batería y el cargador.

1. Alinee las nervaduras de elevación de la batería con las ranuras del compartimento de la batería.
2. Introduzca la batería en el compartimento de la batería hasta que encaje en su posición.
3. Cuando escuche un clic, la batería está instalada.

**8.5 RETIRADA DE LA BATERÍA**

1. Pulse y mantenga pulsado el botón de desbloqueo de la batería.
2. Retire la batería de la máquina.

**9 FUNCIONAMIENTO****¡ IMPORTANTE**

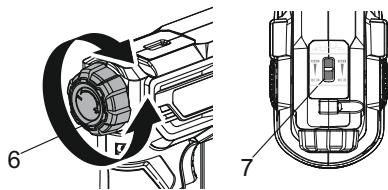
Antes de utilizar la máquina, debe leer y entender las normas de seguridad y las instrucciones de funcionamiento.

**▲ AVISO**

Tenga cuidado cuando utilice la máquina.

**10 FUNCIONAMIENTO****▲ AVISO**

No utilice ningún accesorio no recomendado por el fabricante de este producto.

**10.1 AJUSTE DE LA PROFUNDIDAD DE GRAPA**

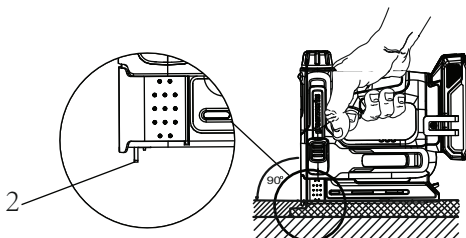
El botón de ajuste de profundidad aumenta o disminuye la fuerza con la que se clava la grapa en la pieza. El indicador de fuerza de clavado, situado en la parte superior de la herramienta, mostrará la profundidad a la que la grapa entrará en la pieza de trabajo. Los materiales más duros requerirán una mayor fuerza de clavado.

1. Retire la batería.

2. Gire el mando de ajuste de profundidad en sentido horario para aumentar la fuerza de clavado.
3. Para probar la profundidad deseada, utilice un trozo del mismo material que utilizará para su proyecto.

**¡ NOTA**

Mantenga siempre los dedos alejados de la zona de descarga de la herramienta al clavar una grapa y al utilizar el accesorio para instalar malla o alambre. En caso de no mantener los dedos alejados, pueden producirse lesiones personales graves.

**10.2 CLAVADO DE UNA GRAPA**

1. Sujete el asa firmemente con el extremo de la herramienta plana contra la pieza de trabajo a un ángulo de 90°.
2. Presione el pie de activación de la grapadora contra la pieza de trabajo. El pie de activación debe estar presionado antes de apretar el gatillo interruptor.
3. La herramienta colocará otra grapa cada vez que se presione el gatillo, siempre que el pie de activación esté presionado.

**10.3 ACCESORIO PARA ALAMBRE Y MALLA**

El accesorio para alambre y malla incluido con la grapadora es útil para fijar malla o alambre a un marco de madera o a una pieza de trabajo. Uno de los bordes del accesorio se utiliza para alambros, mientras que el otro borde es para fijar malla.

Coloque una grapa de prueba en un trozo del mismo material que utilizará para su proyecto para comprobar la fuerza de clavado deseada.

Para instalar el accesorio: Retire la batería y seleccione la aplicación deseada; Gire el borde seleccionado hacia el extremo de la herramienta; Deslice el accesorio sobre el extremo de la herramienta hasta que encaje en su posición sobre la pestaña de cada lado de la herramienta.

## 11 MANTENIMIENTO

### ▲ PRECAUCIÓN

No permita que líquidos de frenos, gasolina y otros derivados del petróleo toquen las piezas de plástico. Las sustancias químicas pueden dañar el plástico y hacer que quede inservible.

### ▲ PRECAUCIÓN

No utilice disolventes o detergentes fuertes en la carcasa o los componentes de plástico.

### ▲ AVISO

Retire la batería de la máquina antes de realizar tareas de mantenimiento.

### 11.1 RETIRADA DE UNA GRAPA ATASCADA

1. Si hay una grapa atascada en la herramienta, debe retirarla antes de seguir utilizándola. Si intenta clavar una grapa mientras la herramienta está atascada, podría dañarse el mecanismo.
2. Retire la batería.
3. Mantenga la herramienta al revés. Apriete el pestillo del almacén y deslice el almacén para abrirlo.
4. Retire las grapas no utilizadas.
5. Retire la grapa atascada con unos alicates de punta.

## 12 DATOS TÉCNICOS

Tensión	24 V
Velocidad de grapado	60 grapas/min.
Tipo de grapa	18 GA / T-50
Capacidad del almacén	Grapas tipo U 85 / Grapas tipo T 85
Tamaño de corona de grapa	3/8"
Longitud de grapa	Tipo U 6-14 mm / Tipo T 15mm
Peso (sin batería)	2.98 lbs (1.35 kg)
Modelo de batería	LB24A020/BAG708 y otras series BAG
Modelo de cargador	2978602/2903102 y otras series CAG

## 13 GARANTÍA LIMITADA



Por la presente Greenworks garantiza este producto, al comprador original con el comprobante de compra, durante un periodo de tres (3) años frente a defectos en materiales, piezas o mano de obra. A su entera discreción Greenworks reparará o sustituirá cualquiera y todas las piezas que resulten ser defectuosas, con un uso normal, sin coste alguno para el cliente. Esta garantía es válida únicamente para unidades que se hayan utilizado para uso personal que no han sido compradas o alquiladas para uso industrial/comercial y cuyo mantenimiento se ha realizado de acuerdo con las instrucciones del manual del propietario suministrado con el producto nuevo.

### ARTÍCULOS NO CUBIERTOS POR LA GARANTÍA:

1. Cualquier pieza que no funcione debido a mal uso, uso comercial, abuso, negligencia, accidente, mantenimiento inadecuado o alteración; o
2. La unidad, si no ha sido utilizada o mantenida de acuerdo con el manual del propietario; o
3. Desgaste normal;
4. Artículos de mantenimiento de rutina tales como lubricantes, afilado de cuchillas;
5. Deterioro normal del acabado exterior debido al uso o la exposición.

### LÍNEA DE ASISTENCIA TELEFÓNICA:

Puede contactar con el servicio de garantía llamando a nuestra línea de asistencia telefónica gratuita a 1-888-909-6757.

### COSTES DE TRANSPORTE:

Los costes de transporte por el desplazamiento de cualquier unidad o accesorio de equipos eléctricos son responsabilidad del comprador. Es responsabilidad del comprador pagar los costes de transporte de cualquier pieza enviada para su sustitución bajo esta garantía, a menos que dicha devolución sea solicitada por escrito por Greenworks.

### Dirección en EE.UU.: Dirección en Canadá:

Greenworks Tools	Greenworks Tools Canada, Inc.
P.O. Box 1238	P.O. Box 93095, Newmarket, Ontario
Mooresville, NC 28115	L3Y 8K3