

greenworks **pro**

GPW 2301

EN PRESSURE WASHER OPERATOR MANUAL

ES LAVADORA A PRESIÓN MANUAL DEL OPERADOR



PWA210

www.greenworkstools.com

1	Description.....	4	6.6	Install the upper handle.....	7
1.1	Purpose.....	4	6.7	Install the spray wand.....	7
1.2	Overview.....	4	6.8	Install the high pressure hose.....	8
2	General power tool safety		7	Operation.....	8
	warnings.....	4	7.1	Connect the water supply to the machine.....	8
2.1	General power tool safety warnings.....	4	7.2	Use the spray gun.....	8
2.2	Electrical safety warnings.....	4	7.3	Change the spray tip.....	9
2.3	Pressure washer safety warnings.....	5	7.4	Add detergent.....	10
2.4	Extension cords.....	5	7.5	Start the machine.....	10
2.5	Child safety.....	5	7.6	Stop the machine.....	10
3	Symbols on the product.....	5	8	Maintenance.....	10
4	Risk levels.....	6	8.1	Spray tip maintenance.....	11
5	Proposition 65.....	6	9	Transportation and storage.....	11
6	Installation.....	6	9.1	Move the machine.....	11
6.1	Electrical connection.....	6	9.2	Store the machine.....	11
6.2	Unpack the machine.....	6	10	Troubleshooting.....	11
6.3	Install the upper panel.....	7	11	Technical data.....	12
6.4	Install the spray gun holder.....	7	12	Limited warranty.....	13
6.5	Install the power cord storage arms.....	7	13	Exploded view.....	14

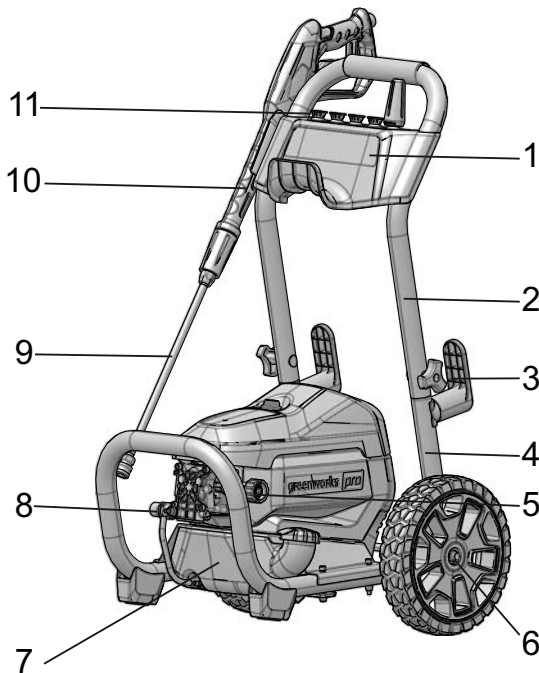
1 DESCRIPTION

1.1 PURPOSE

The machine is used to clean vehicles, boats, buildings, porches, decks, patios, and driveways.

For domestic use only, not for professional use, and for operation at temperature above 32°F (0°C).

1.2 OVERVIEW



1	Upper panel	7	Detergent tank
2	Upper handle	8	Water outlet
3	Cord storage arm	9	Spray wand
4	Lower handle	10	Spray gun
5	Water inlet	11	Spray tip
6	Wheel		

2 GENERAL POWER TOOL SAFETY WARNINGS

▲ WARNING

When using this product basic precautions should always be followed, including the following:

Save all warnings and instructions for future reference.

The term “power tool” in the warnings refers to your mains-operated (corded) power tool.

2.1 GENERAL POWER TOOL SAFETY WARNINGS

- The machine is not intended for use by persons (including children) with reduced physical, sensory or mental capabilities, or lack of experience and knowledge, unless

they have been given supervision or instruction concerning use of the appliance by a person responsible for their safety. Children should be supervised to ensure that they do not play with the appliance.

- Learn the machine's applications and limitations as well as the specified potential hazards related to this tool by studying this manual.
- Never operate the machine with any guard or cover removed or damaged.
- Do not operate the product while under the influence of drugs, alcohol, or any medication.
- Do not wear loose clothing, gloves, neckties, or jewelry. They can get caught and draw you into moving parts.
- Rubber gloves and non-skid footwear are recommended when working outdoors. Also wear protective hair covering to contain long hair. Wear footwear that will protect your feet and improve your grip on slippery surfaces.
- Don't overreach or stand on unstable support. Keep proper footing and balance at all times.
- Check the work area before each use. Remove all objects such as rocks, broken glass, nails, wire, or string which can be thrown or become entangled in the machine.
- Avoid dangerous environments. Don't expose to rain. Keep work area well lit.
- Before starting any cleaning operation, close doors and windows. Clear the area to be cleaned of debris, toys, outdoor furniture, or other objects that could create a hazard.
- Don't use the appliance within range of persons unless they wear protective clothing.

2.2 ELECTRICAL SAFETY WARNINGS

- Disconnect from the electrical power supply before carrying out user maintenance.
- Use only extension cords that have watertight connections and are intended for outdoor use. Use only extension cords having an electrical rating not less than the rating of the product. Examine extension cord before using and replace if damaged. Do not abuse extension cord and do not pull on any cord to disconnect. Keep cord away from heat and sharp edges. Always disconnect the extension cord from the receptacle before disconnecting the product from the extension cord.
- Do not use the appliance if a supply cord or important parts of the appliance are damaged, e.g. safety devices, high pressure hoses, trigger gun.
- Inadequate extension cords can be dangerous.
- To reduce the risk of electrocution, keep all connections dry and off the ground. Do not touch plug with wet hands.
- Do not abuse the cord. Never use the cord to carry the product or to disconnect the plug from an outlet. Keep cord away from heat, oil, sharp edges, or moving parts. Replace damaged cords immediately. Damaged cords increase the risk of electric shock.

- Inspect extension cords periodically and replace if damaged. Keep handles dry, clean, and free from oil or grease.

2.3 PRESSURE WASHER SAFETY WARNINGS

- Read all the instructions before using the product.
- To reduce the risk of injury, close supervision is necessary when a product is used near children.
- Know how to stop the product and bleed unit pressure quickly. Be thoroughly familiar with the controls.
- Stay alert – watch what you are doing.
- Do not operate the product when fatigued or under the influence of alcohol or drugs.
- Keep operating area clear of all persons.
- Do not overreach or stand on unstable support. Keep good footing and balance at all times.
- Follow the maintenance instructions specified in the manual.
- This product is provided with a ground fault circuit interrupter built into the power cord plug. If replacement of the plug or cord is needed, use only identical replacement parts.
- Risk of injection or injury– Do not direct discharge stream at persons.
- Keep the motor away from flammables and other hazardous materials.
- Keep product dry, clean, and free from oil and grease. Always use a clean cloth when cleaning. Never use brake fluids, gasoline, petroleum-based products, or any solvents to clean product.

▲ WARNING

To reduce the risk of electrocution, keep all connections dry and off the ground. Do not touch plug with wet hands.

2.4 EXTENSION CORDS

- Use only extension cords that are intended for outdoor use. These extension cords are identified by a marking “Acceptable for use with outdoor appliances; store indoors while not in use.” Use only extension cords having an electrical rating not less than the rating of the product. Do not use damaged extension cords. Examine extension cord before using and replace if damaged. Do not abuse extension cord and do not yank on any cord to disconnect. Keep cord away from heat and sharp edges. Always disconnect the extension cord from the receptacle before disconnecting the product from the extension cord.

2.5 CHILD SAFETY










Tragic accidents can occur if the operator is not aware of the presence of children.



- Keep children out of the working area and under the watchful care of a responsible adult.

- Do not allow children under the age of 14 to operate this machine. Children who are 14 years of age and older must read and understand the operating instructions and safety rules in this manual and must be trained and supervised by a parent.
- Stay alert, and turn the machine off if a child or any other person enters the working area.
- Use extreme care when approaching blind corners, doorways, shrubs, trees, or other objects that may obscure your view of a child who may run into the path of the machine.

3 SYMBOLS ON THE PRODUCT




Some of the following symbols may be used on this tool. Please study them and learn their meaning. Proper interpretation of these symbols will allow you to operate the tool better and safer.

Symbol	Explanation
	To reduce the risk of injury, user must read and understand operator's manual before using this product.
	Do not expose the product to rain or moist conditions.
	Always wear safety goggles or safety glasses with side shields and, as necessary, a full face shield when operating this product.
	To reduce the risk of injection or injury, never direct a water stream towards people or pets or place any body part in the stream. Leaking hoses and fittings are also capable of causing injection injury. Do not hold hoses or fittings.
	To reduce the risk of injury from kickback, hold the spray lance securely with both hands when the machine is on.
	Failure to use in dry conditions and to observe safe practices can result in electric shock.
	Fuel and its vapors are explosive and can cause severe burns or death.
	Warning! Never point the gun to human, animals, the machine body, power supply or any electric appliances.
	Appliance not suitable for connection to the drinking water mains without backflow preventer.

Symbol	Explanation
	Only use cleaning deck on flat, horizontal surfaces. Never lift cleaning deck from the cleaning surface while operating the pressure washer.
	Keep hands and feet away from the cleaning deck while the pressure washer is running.

4 RISK LEVELS

The following signal words and meanings are intended to explain the levels of risk associated with this product.

SYMBOL	SIGNAL	MEANING
	DANGER	Indicates an imminently hazardous situation, which, if not avoided, will result in death or serious injury.
	WARNING	Indicates a potentially hazardous situation, which, if not avoided, could result in death or serious injury.
	CAUTION	Indicates a potentially hazardous situation, which, if not avoided, may result in minor or moderate injury.
	CAUTION	(Without Safety Alert Symbol) Indicates a situation that may result in property damage.

5 PROPOSITION 65

▲ WARNING

This product contains a chemical known to the state of California to cause cancer, birth defects or other reproductive harm. Some dust created by power sanding, sawing, grinding, drilling, and other construction activities contains chemicals known to cause cancer, birth defects or other reproductive harm. Some examples of these chemicals are:

- Lead from lead-based paints;
- Crystalline silica from bricks and cement and other masonry products;
- Arsenic and chromium from chemically treated lumber.

Your risk of exposure to these chemicals varies depending on how often you do this type of work. To reduce your exposure to these chemicals, work in a well-ventilated area, and work with approved safety equipment, such as dust masks that are specially designed to filter out microscopic particles.

Save these instructions.

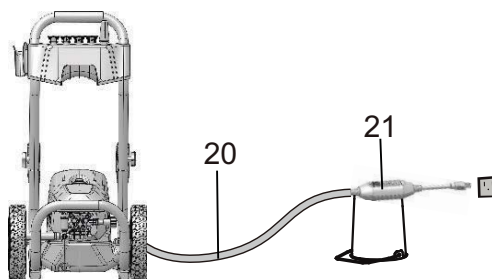
6 INSTALLATION

6.1 ELECTRICAL CONNECTION

This machine has a precisely built electrical motor. It should be connected to a power supply that is 120V, 60 Hz, AC only (household). Do not operate this machine on direct current (DC). A considerable voltage drop will cause a loss of power and the motor will be overheated.

6.1.1 PREPARE A DRIP LOOP

Recommend the use of a drip loop as below so the water can not run along the power cord even possibly reach the electrical outlet and plug.



▲ WARNING

Keep the extension cord clear of the working area. Position the cord so that it will not get caught on lumber, tools, or other obstructions while you are working with a power tool. Failure to do so can result in serious personal injury.

6.2 UNPACK THE MACHINE

▲ WARNING

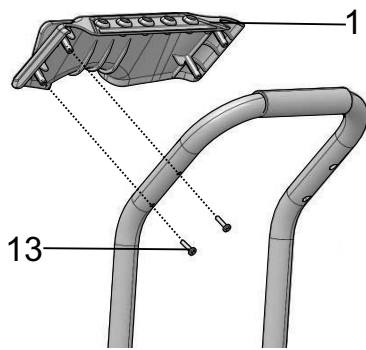
Make sure that you correctly assemble the machine before use.

▲ WARNING

- If the parts are damaged, do not use the machine.
- If you do not have all the parts, do not operate the machine.
- If the parts are damaged or missing, speak to the service center.

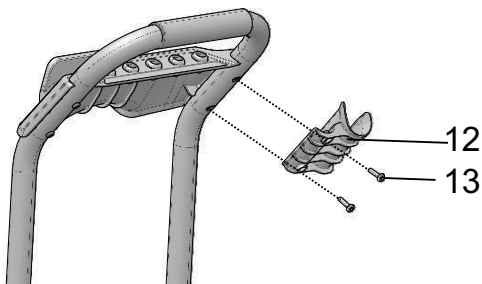
1. Open the package.
2. Read the documentation in the box.
3. Remove all the unassembled parts from the box.
4. Remove the machine from the box.
5. Discard the box and package in compliance with local regulations.

6.3 INSTALL THE UPPER PANEL



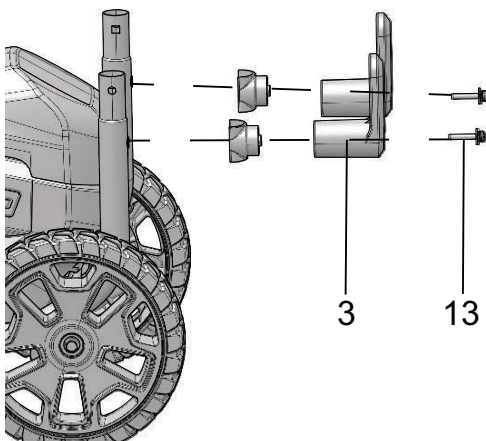
1. Align the screw sleeves of the front panel (1) with the screw holes on the upper handle.
2. Install two of the included (coarse-thread) screws into the left two screw sleeves in the upper panel.
3. Tighten them with a Phillips screwdriver (not included).

6.4 INSTALL THE SPRAY GUN HOLDER



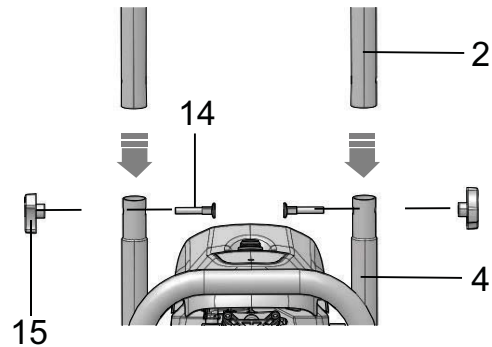
1. Align the screw sleeves of the spray gun holder (12) with the screw holes on the upper handle.
2. Install the other two included (coarse-thread) screws into the right two screw sleeves in the upper panel.
3. Tighten them with a Phillips screwdriver (not included).

6.5 INSTALL THE POWER CORD STORAGE ARMS



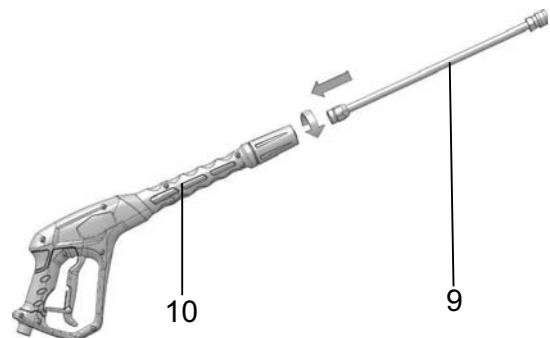
1. Attach each of the power cord storage arms (3) into the two separate positions on the lower handle of the fixture.
2. Align the screw (13) with the holes in each of the two power cord storage arms (3).
3. Push the screw (13) through and tighten both power cord storage arms (3) with a Phillips head screw driver (not included).

6.6 INSTALL THE UPPER HANDLE



1. Align the holes on the upper handle (2) and the lower handle (4).
2. Insert the handle bolts (14) and use the handle knobs (15) to tighten them.

6.7 INSTALL THE SPRAY WAND

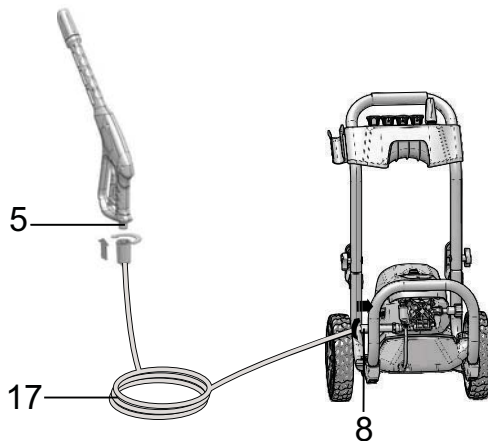


1. Push the end of the spray wand (9) into the trigger handle (10) and rotate clockwise to secure.
2. Pull on the spray wand (9) to be certain it is properly secured.

▲ WARNING

Make sure that the connection has no leakage.

6.8 INSTALL THE HIGH PRESSURE HOSE



1. Push and turn clockwise one end of the high pressure hose (17) into the inlet coupler (5).
2. Install and tighten the other end of the high pressure hose (17) onto the water outlet (8) coupler.

7 OPERATION

⚠ WARNING

Make sure that all the connections are tight and have no leakage before operation.

7.1 CONNECT THE WATER SUPPLY TO THE MACHINE

For easy operation, please use a self-coiling garden hose (not provided).

⚠ WARNING

When you operate the self-coiling hose, make sure that the hose has no blockage.

⚠ WARNING

- The water supply must come from the water main
- Do not use hot water
- Do not use water from ponds or lakes

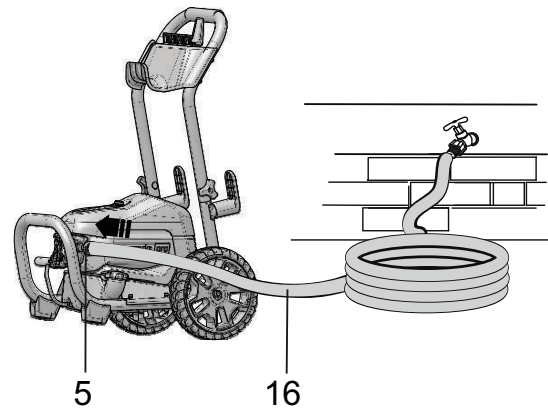
⚠ WARNING

Check your local regulations when connecting the garden hose to the water supply. Direct connection through a receiver tank or backflow preventer is usually permitted.

⚠ CAUTION

Inspect the filter in the water inlet connector before you connect the garden hose

- If the filter is damaged, do not use the machine until the filter is replaced.
- If the filter is dirty, clean the filter.

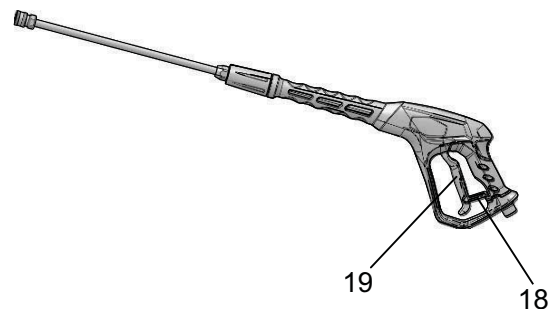


1. Uncoil the garden hose (16).
2. Let the water flow through the garden hose (16) for 30 seconds.
3. Turn the water supply off.
4. Install and tighten the end of the garden hose (16) to the water inlet (5) connector.

⚠ CAUTION

There must be a minimum of 3 m of free hose between the water inlet and the water supply.

7.2 USE THE SPRAY GUN



⚠ WARNING

For safe control, keep your hands on the gun at all times.

- Pull and hold the spray gun trigger (19) to start the machine.
- Release the spray gun trigger (19) to stop water flow through the spray tip (11).

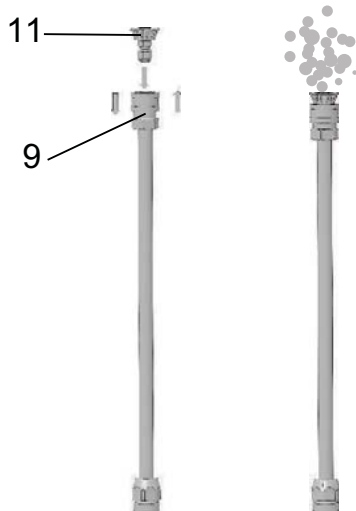
7.2.1 UNLOCK THE GUN TRIGGER

- Push the trigger safety lock-out (18) down until it clicks into the slot.

7.2.2 LOCK THE GUN TRIGGER

- Push the trigger safety lock-out (18) up and into its original position.

7.3 CHANGE THE SPRAY TIP



▲ WARNING



Before you change the spray tip:




1. Pull the spray gun trigger to release water pressure.
2. Engage the trigger safety lock-out on the spray gun.
3. Stop the machine.

▲ WARNING

Do not point the spray wand at your face or others'.

7.3.1 NOZZLE TYPE

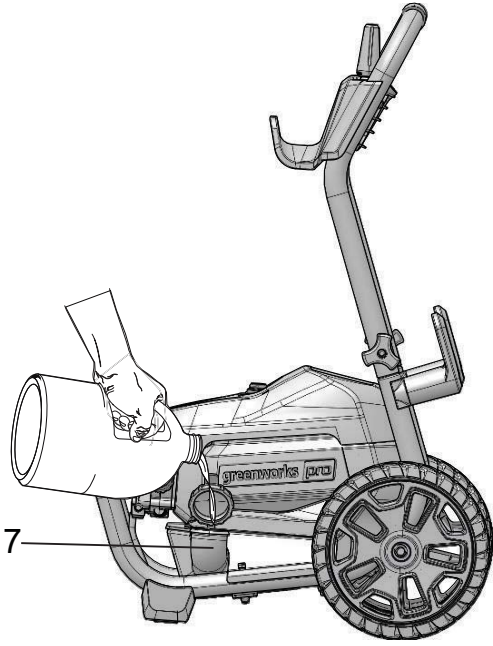
SPRAY TIP	APPLICATION
 15°	<p>Yellow - Narrow fan tip (15°)</p> <ul style="list-style-type: none"> The yellow pressure washer tip provides high versatility with its 15 degree angle tip. Referred to as the washing tip, because it provides adequate pressure to remove dirt from surfaces, but is designed to not damage many surfaces. This pressure washer tip is designed for “sweeping” foliage or debris given its wide angle. This tip is versatile due to its wide area of cleaning and strong pressure application.
 25°	<p>Green - Narrow fan tip (25°)</p> <ul style="list-style-type: none"> The green pressure washer tip provides high versatility with its 25 degree angle tip. Referred to as the washing tip, because it provides adequate pressure to remove dirt from surfaces, but is designed to not damage many surfaces. This pressure washer tip is designed for “sweeping” foliage or debris given its wide angle. This tip is versatile due to its wide area of cleaning and strong pressure application.

SPRAY TIP	APPLICATION
 40°	<p>White - Wide fan tip (40°)</p> <ul style="list-style-type: none"> The white 40 degree tip, referred to as the “fan” tip creates the widest area of cleaning with relatively low pressure. This pressure washer tip is best used for light or delicate cleaning applications. It is recommended for light cleaning on wood decks and other soft or delicate surfaces.
 SOAP	<p>Black - Soap spray tip</p> <ul style="list-style-type: none"> The black soap spray tip, is used for soap application. Soap is applied under low pressure high volume for optimum performance. Soap cannot be applied under high pressure with this machine.
	<p>Turbo nozzle tip</p> <ul style="list-style-type: none"> The nozzle rotates in a zero to 15 degree spray pattern in a circular motion to break down tough dirt and grime. The spray pattern can cover area of 4 to 8 inches wide, depending on a distance between the tip and the surface being cleaned.

7.3.2 INSTALL THE SPRAY TIP

1. Pull back the quick-connect collar on the spray wand (9).
2. Insert the spray tip (11) onto the spray wand (9).
3. Release the quick-connect collar to attach the spray tip (11).
4. Pull on spray tip (11) to ensure it is properly installed and does not pull out.

7.4 ADD DETERGENT



▲ WARNING
 Do not use household detergents, acids, alkalines, bleaches, solvents, flammable material, or industrial grade solutions, which can do damage to the pump.

▲ WARNING
 Do the instructions on the solution bottle to prepare detergent.

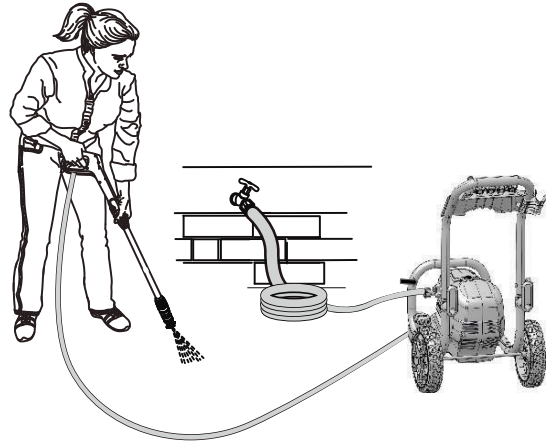
i NOTE
 If it is necessary, use a funnel to prevent the spill of detergent. Clean and dry the spilled detergent when you fill it.

i NOTE
 Soap/detergent can only be applied with this machine when the black nozzle(75 degree) is installed.

1. Put the machine vertically on a flat surface.
2. Open the cap on the detergent tank (7).
3. Put the detergent into the detergent tank (7).
4. Close the cap.

i NOTE
 Do not let detergent dry on the surface to prevent streaks.

7.5 START THE MACHINE



▲ CAUTION
 Do not operate without the water supply connected.

▲ CAUTION
 Before you start the machine:

1. Turn the water supply on.
2. Pull the gun trigger to release air pressure.
3. If a stable stream of water come into view, release the spray gun trigger.

1. Connect the machine to the power supply.
2. Set the power switch to the "ON" (|) position.
3. Turn the water supply on.
4. Pull the spray gun trigger.

7.6 STOP THE MACHINE

1. Release the spray gun trigger.
2. Press down on the ON/OFF switch, once again, to set the power switch to the "OFF" (O) position.

▲ WARNING
 If you do not use the machine :

- Stop the machine.
- Turn the water supply off.
- Disconnect the power cord from the outlet.
- Pull the spray gun trigger to release the remaining pressure from the machine.
- Engage the trigger safety lock-out on the spray gun.

8 MAINTENANCE

▲ WARNING
 Before maintenance, make sure that you

- Stop the machine.
- Wait until all the moving parts stop.
- Disconnect the plug from the power source.

▲ WARNING

Do not use strong solvents or detergents on the plastic housing or components.

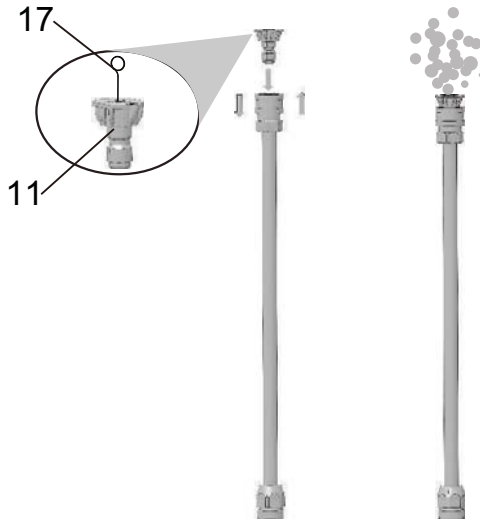
▲ WARNING

Do not let brake fluids, gasoline, petroleum-based materials touch the plastic parts. Chemicals can cause damage to the plastic, and make the plastic unserviceable.

▲ WARNING

Replace the power cord by an approved service center.

8.1 SPRAY TIP MAINTENANCE



If there is too much pump pressure, the spray tip can become clogged, you can feel a pulsing sensation while you pull the spray gun trigger.

8.1.1 REMOVE THE SPRAY TIP

1. Pull back the quick-connect collar on the spray wand (9).
2. Remove the spray tip from the spray wand (9).

8.1.2 CLEAN THE SPRAY TIP

1. Use a straight paper clip or cleaning tool (17) to clean the spray tip.
2. Flush and clean the unwanted materials out of the spray tip (11) with the garden hose (16).
3. Install the clean spray tip (11) to the spray wand (9).

9 TRANSPORTATION AND STORAGE

▲ WARNING

Disconnect the power cord and water supply hose before transportation and storage.

9.1 MOVE THE MACHINE

- Point the spray wand in a safe direction.

- Only hold the machine with the handgrip.

9.2 STORE THE MACHINE

▲ WARNING

Make sure that the spray gun, the high pressure hose and the pump are dry.

▲ WARNING

Make sure the machine is out of the reach of children.

i NOTE

Use a recommended pump protector to prevent cold weather damage during storage in winter.

- Disconnect the garden hose from machine.
- Wind the power cord and the high pressure hose.
- Clean housing and the plastic components with a moist and soft cloth.
- Make sure that the machine does not have loose or damaged parts. If it is necessary, follow these steps/instructions:
 - Replace the damaged parts.
 - Tighten the bolts.
 - If needed, call the customer service phone number (enter number here) for servicing instructions.
- Store the machine in a dry, isolated and frost-free area.

10 TROUBLESHOOTING


PROBLEM	POSSIBLE CAUSE	SOLUTION
The motor does not start.	The power button is in the "OFF" (O) position.	Set the power switch to the "ON" () position.
	The power cord is not plugged in.	Connect the power cord to the power supply.
	Electrical outlet does not supply sufficient power.	Try another electrical outlet.
	The circuit breaker is tripped.	Let it cool, and start the machine again.
	The power switch is on, but you do not pull the spray gun trigger.	Pull the spray gun trigger.

PROBLEM	POSSIBLE CAUSE	SOLUTION
The machine does not reach high pressure.	The diameter of garden hose is too small.	Replace with a 1" (25 mm) or 5/8" (16 mm) garden hose.
	Water supply is restricted.	Check garden hose for kinks, leaks, and blockage.
	The water supply is not sufficient.	Open the water supply fully.
	Spray tip has not be installed onto the spray wand properly.	Install desired spray tip to end of wand.
	The water intake filter is clogged.	Remove filter and rinse in warm water.
The output pressure varies high and low.	The water supply is not sufficient.	Open water supply fully. Check garden hose for kinks, leaks, or blockage.
	The pump is drawing in air.	<ol style="list-style-type: none"> 1. Make sure that the hoses and fitting are airtight. 2. Turn "OFF" machine. 3. Purge pump by squeezing trigger gun until a steady flow of water comes out the spray tip.
	The water intake filter is clogged.	Remove the filter and Rinse in warm water.
	The supply voltage is low.	Make sure that only the pressure washer is running on the circuit.
	The gun, hose or nozzle are calcified.	Run distilled vinegar through detergent tank.

PROBLEM	POSSIBLE CAUSE	SOLUTION
The motor buzzes, but the machine does not start.	The supply voltage is low.	Make sure that only the pressure washer is running on the circuit.
	The pump system has residual pressure.	<ol style="list-style-type: none"> 1. Turn "OFF" the machine. 2. Pull the spray gun trigger on spray wand to release pressure. 3. Turn the machine "ON".
	Voltage loss due to use of an improper extension cord.	Disconnect the extension cord, and connect the machine directly into the outlet.
	Pressure washer not used for long periods.	Call customer service.
	Residual friction among components. Unit might emit a humming noise.	<ol style="list-style-type: none"> 1. Disconnect the water supply. 2. Power "ON" the machine for 2 to 3 seconds. 3. Repeat the above step a couple of times or until the motor starts.
	There is no water.	The water supply is off.
The garden hose is kinked..		Remove kink in garden hose.

11 TECHNICAL DATA

Universal Motor	120V~ 60 Hz, 14 Amps
Max. Pounds Per Square Inch Pressure	2300 PSI
Rated Gallons Per Minute	1.2 GPM
Max. Rated Gallons Per Minute	2.3 GPM
Maximum Inlet Water Temperature	104 °F (40 °C)
Cleaning Units	2760 C.U.

Weight	36.4 lbs. (16.5 kg)
	Double-insulated construction.

12 LIMITED WARRANTY



Greenworks hereby warrants this product, to the original purchaser with proof of purchase, for a period of three (3) years against defects in materials, parts or workmanship. Greenworks, at its own discretion will repair or replace any and all parts found to be defective, through normal use, free of charge to the customer. This warranty is valid only for units which have been used for personal use that have not been hired or rented for industrial/commercial use, and that have been maintained in accordance with the instructions in the owners' manual supplied with the product from new.

ITEMS NOT COVERED BY WARRANTY:

1. Any part that has become inoperative due to misuse, commercial use, abuse, neglect, accident, improper maintenance, or alteration; or
2. The unit, if it has not been operated and/or maintained in accordance with the owner's manual; or
3. Normal wear, except as noted below;
4. Routine maintenance items such as lubricants, blade sharpening;
5. Normal deterioration of the exterior finish due to use or exposure.

HELPLINE:

Warranty service is available by calling our toll-free helpline, at 1-855-345-3934.

TRANSPORTATION CHARGES:

Transportation charges for the movement of any power equipment unit or attachment are the responsibility of the purchaser. It is the purchaser's responsibility to pay transportation charges for any part submitted for replacement under this warranty unless such return is requested in writing by Greenworks.

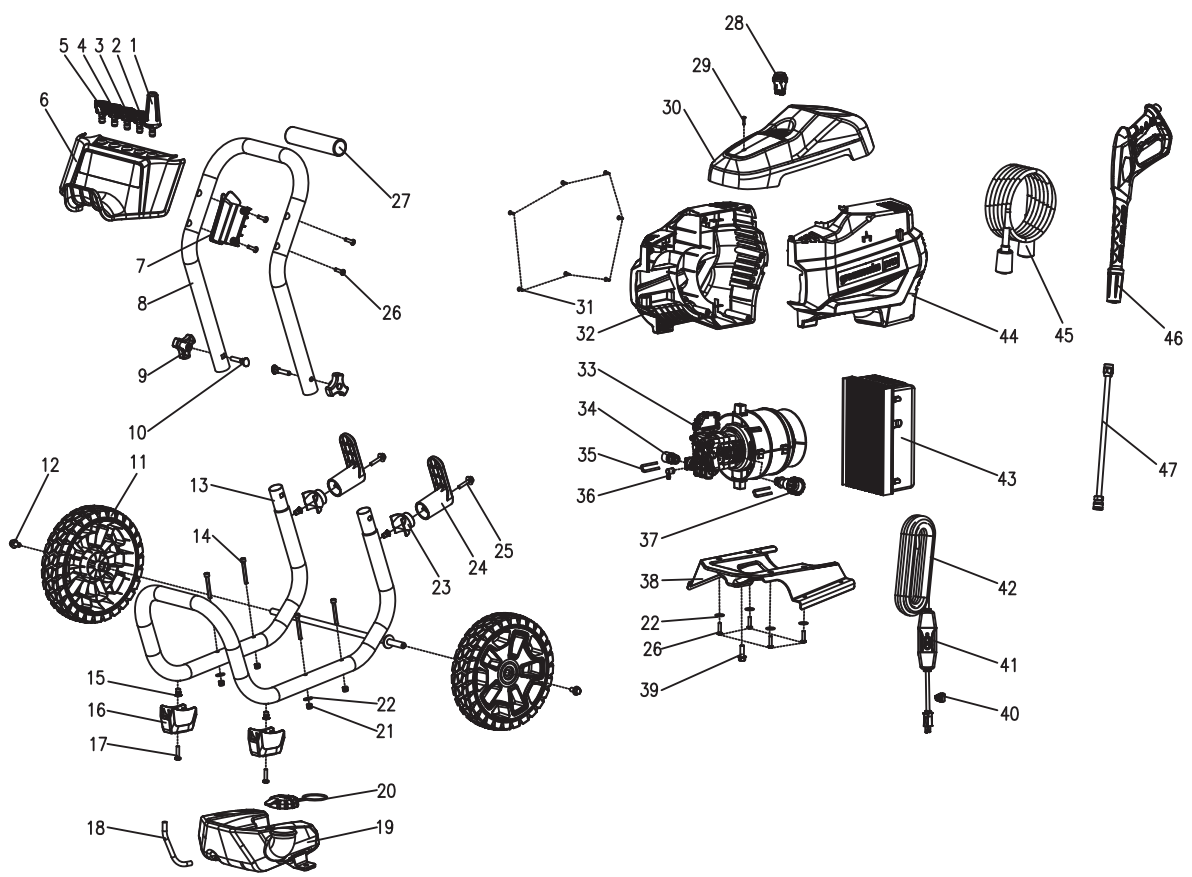
USA address:

Greenworks Tools

P.O. Box 1238

Mooreville, NC 28115

13 EXPLODED VIEW



ITEM NO.	PART NO.	DESCRIPTION	QTY
1	C1104816-00	Turbo Nozzle	1
2	C1102281-00	40°Spray Tip	1
3	C1102280-00	25°Spray Tip	1
4	C1102279-00	15°Spray Tip	1
5	34139319	Soap Tip	1
6	C1104781-00	Rubber Spray Tip Retainer	1
7	C4102035-00	Spray Gun Holder	1
8	C3202489-00	Upper Handle	1
9	3410835-4	Knob	2
10	3220436-2	Bolt	2
11	C4102293-00	Wheel Assembly	2
12	32202390A	Screw	2
13	C3202487-00	Lower Handle	1
14	322011023	Bolt	4
15	322021822	Nut	4
16	C4102172-00	Frame Foot Pad	2
17	3220398	Screw	2
18	34900365	Detergent Hose	16cm
19	C4102034-00	Detergent Tank	1

20	C4100527-00	Detergent Tank Cap	1
21	32222301A	Nut	4
22	32913847	Spacer	6
23	C4100808-00	Power Cord Arm Retainer	2
24	C4100809-00	Power Cord Arm Assembly	2
25	322351635	Screw	2
26	322011628	Screw	8
27	C4300022-00	Pull Handle Cover	1
28	C6200015-00	Power Switch	1
29	3320303	Screw	1
30	C4102033-00	Motor Cover	1
31	32202847	Screw	7
32	C4102031-00	Left Housing	1
33	C1104143-00	Motor	1
34	C1102650-00	Water Outlet	1
35	33302365	U-Pin	2
36	341071923	Detergent Hose Connector	1
37	311231635	Water Inlet	1
38	C3202488-00	Iron Board	1
39	C3200446-00	Screw	1
40	34146363	Power Cord Clip	1
41	363002583	GFCI	1
42	C6300178-00	Power Cord	1
43	311601936	Pressure Washer Controller	1
44	C4102032-00	Right Housing	1
45	311311635	High Pressure Hose	1
46	C1104484-00	Spray Gun	1
47	311452302	Spray Wand	1

1	Descripción.....	17			
1.1	Finalidad.....	17	6.5	Instalación de los brazos de	
1.2	Perspectiva general.....	17		almacenamiento del cable de alimentación.....	21
2	Advertencias generales de		6.6	Instalación del asa superior.....	21
	seguridad para herramientas		6.7	Instalación de la varilla pulverizadora.....	21
	eléctricas.....	17	6.8	Instalación de la manguera de alta presión.....	21
2.1	Advertencias generales de seguridad para		7	Funcionamiento.....	21
	herramientas eléctricas.....	17	7.1	Conexión del suministro de agua a la	
2.2	Advertencias de seguridad eléctricas.....	17		máquina.....	21
2.3	Advertencias de seguridad para		7.2	Uso de la pistola pulverizadora.....	22
	limpiadores a presión.....	18	7.3	Cambio de la punta de pulverización.....	22
2.4	Cables alargadores.....	18	7.4	Adición de detergente.....	24
2.5	Seguridad infantil.....	18	7.5	Puesta en marcha de la máquina.....	24
3	Símbolos en el producto.....	18	7.6	Detención de la máquina.....	24
4	Niveles de riesgo.....	19	8	Mantenimiento.....	25
5	Propuesta 65.....	19	8.1	Mantenimiento de la punta de pulverización...	25
6	Instalación.....	19	9	Transporte y almacenamiento.....	25
6.1	Conexión eléctrica.....	19	9.1	Traslado de la máquina.....	25
6.2	Desembalaje de la máquina.....	20	9.2	Almacenamiento de la máquina.....	25
6.3	Instalación del panel superior.....	20	10	Solución de problemas.....	26
6.4	Instalación del soporte de la pistola		11	Datos técnicos.....	27
	pulverizadora.....	20	12	Garantía limitada.....	27
			13	Vista despiezada.....	28

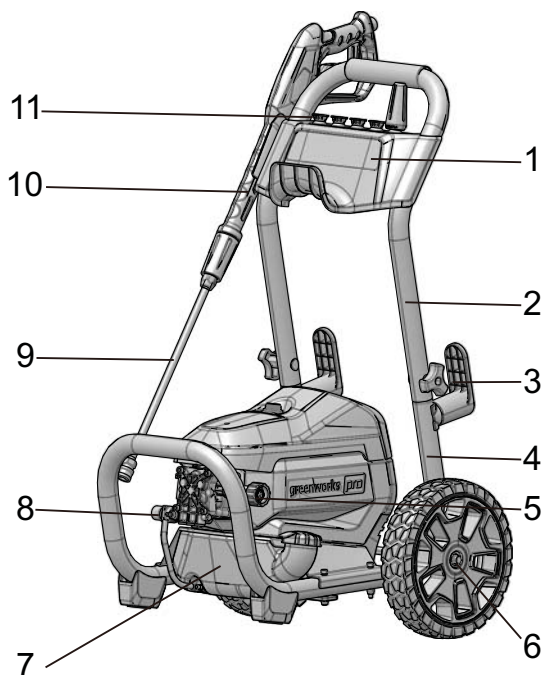
1 DESCRIPCIÓN

1.1 FINALIDAD

La máquina se utiliza para limpiar vehículos, barcos, edificios, porches, terrazas, patios y calzadas.

Indicada solo para el uso doméstico, no apta para el uso profesional ni para funcionamiento a temperaturas superiores a 32°F (0°C).

1.2 PERSPECTIVA GENERAL



- | | |
|------------------------------------|---------------------------|
| 1 Panel superior | 7 Depósito de detergente |
| 2 Asa superior | 8 Salida de agua |
| 3 Brazo de almacenamiento de cable | 9 Varilla pulverizadora |
| 4 Asa inferior | 10 Pistola pulverizadora |
| 5 Entrada de agua | 11 Punta de pulverización |
| 6 Rueda | |

2 ADVERTENCIAS GENERALES DE SEGURIDAD PARA HERRAMIENTAS ELÉCTRICAS

▲ AVISO

Cuando utilice este producto, deben seguirse siempre precauciones básicas, incluidas las siguientes:

Guarde todas las advertencias e instrucciones para su consulta posterior.

El término “herramienta eléctrica” empleado en las advertencias se refiere a su herramienta eléctrica con funcionamiento de red (con cable).

2.1 ADVERTENCIAS GENERALES DE SEGURIDAD PARA HERRAMIENTAS ELÉCTRICAS

- La máquina no debe ser utilizada por personas (niños incluidos) con una discapacidad física, sensorial o mental, o que no tengan experiencia ni conocimientos, a menos que hayan recibido supervisión o instrucción sobre el uso del aparato por una persona responsable de su seguridad. Supervise siempre a los niños para asegurarse de que no jueguen con el aparato.
- Gracias a este manual conocerá las aplicaciones y limitaciones de la máquina, así como los peligros potenciales específicos relacionados con esta herramienta.
- Nunca utilice la máquina con las protecciones o cubiertas retiradas o si han sufrido daños.
- No utilice el producto bajo la influencia de drogas, alcohol o cualquier medicamento.
- No lleve ropa suelta, guantes, corbatas o joyas. Pueden quedar atrapados y arrastrarle hacia las piezas móviles.
- Se recomienda el uso de guantes de goma y calzado antideslizante cuando trabaje al aire libre. Lleve también una protección capilar para sujetar el cabello largo. Lleve calzado que proteja los pies y mejore el agarre en superficies resbaladizas.
- No se estire ni se suba sobre un soporte inestable. Mantenga en todo momento una postura adecuada y el equilibrio.
- Compruebe la zona de trabajo antes de cada uso. Retire todos los objetos, como piedras, trozos de cristal, clavos, alambres o cuerdas que puedan salir despedidos o enredarse en la máquina.
- Evite los entornos peligrosos. No exponga a la lluvia. Mantenga bien iluminada la zona de trabajo.
- Antes de iniciar cualquier operación de limpieza, cierre las puertas y las ventanas. La zona a limpiar debe estar libre de residuos, juguetes, mobiliario de exterior u otros objetos que puedan suponer un peligro.
- No utilice el aparato dentro del alcance de personas a menos que lleven indumentaria protectora.

2.2 ADVERTENCIAS DE SEGURIDAD ELÉCTRICAS

- Desconecte del suministro de alimentación eléctrica antes de realizar el mantenimiento por parte del usuario.
- Utilice únicamente cables alargadores que tengan conexiones estancas y se hayan diseñado para uso en exteriores. Utilice únicamente cables alargadores que tengan una potencia eléctrica no inferior a la potencia nominal del producto. Examine el cable alargador antes del uso y sustitúyalo si está dañado. No abuse del cable alargador y no tire de ningún cable para desconectarlo. Mantenga el cable alejado del calor y de los bordes

afilados. Desconecte siempre el cable alargador del receptáculo antes de desconectar el producto del cable alargador.

- No utilice el aparato si un cable de suministro o piezas importantes del mismo han sufrido daños, p. ej., dispositivos de seguridad, mangueras de alta presión, pistola con gatillo.
- Los cables alargadores incorrectos pueden ser peligrosos.
- Para reducir el riesgo de electrocución, mantenga todas las conexiones secas y alejadas del suelo. No maneje el cable con las manos mojadas.
- No abuse del cable. Nunca utilice el cable para transportar el producto o para desconectar el enchufe de una toma de pared. Mantenga el cable alejado del calor, el aceite, los bordes afilados o las piezas móviles. Sustituya inmediatamente los cables dañados. Los cables dañados aumentan el riesgo de descarga eléctrica.
- Inspeccione periódicamente los cables alargadores y sustitúyalos si están dañados. Mantenga las asas secas, limpias y sin restos de aceite o grasa.

2.3 ADVERTENCIAS DE SEGURIDAD PARA LIMPIADORES A PRESIÓN

- Lea todas las instrucciones antes de utilizar el producto.
- Para reducir el riesgo de lesiones, es necesaria una supervisión estrecha cuando se utiliza un producto cerca de niños.
- Debe saber cómo detener el producto y purgar las presiones rápidamente. Familiarícese bien con los controles.
- Manténgase alerta – observe lo que está haciendo.
- No utilice el producto cuando esté cansado o bajo la influencia de alcohol o drogas.
- Mantenga alejadas a las personas de la superficie de trabajo.
- No se estire ni se suba sobre un soporte inestable. Mantenga en todo momento una buena postura y el equilibrio.
- Siga las instrucciones de mantenimiento especificadas en el manual.
- Este producto se suministra con un interruptor de circuito de fallo a tierra integrado en el enchufe del cable de alimentación. Si es necesario sustituir el enchufe o el cable, utilice únicamente piezas de repuesto idénticas.
- Riesgo de inyección o lesión – No dirija el chorro de descarga a las personas.
- Mantenga el motor alejado de materiales inflamables y otros materiales peligrosos.
- Mantenga el producto seco, limpio y sin restos de aceite y grasa. Para la limpieza utilice siempre un paño limpio. Nunca utilice líquidos de frenos, gasolina, productos a base de petróleo o cualquier otro disolvente para limpiar el producto.

▲ AVISO

Para reducir el riesgo de electrocución, mantenga todas las conexiones secas y alejadas del suelo. No maneje el cable con las manos mojadas.

2.4 CABLES ALARGADORES

- Utilice únicamente cables alargadores que se hayan diseñado para uso en exteriores. Estos cables alargadores se identifican con el marcado "Aceptable para su utilización con aparatos de exterior; almacenar en el interior mientras no esté en uso". Utilice únicamente cables alargadores que tengan una potencia eléctrica no inferior a la potencia nominal del producto. No utilice cables eléctricos dañados. Examine el cable alargador antes del uso y sustitúyalo si está dañado. No abuse del cable alargador y no tire de ningún cable para desconectarlo. Mantenga el cable alejado del calor y de los bordes afilados. Desconecte siempre el cable alargador del receptáculo antes de desconectar el producto del cable alargador.



2.5 SEGURIDAD INFANTIL









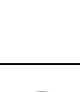
Pueden producirse accidentes trágicos si el operario no es consciente de la presencia de niños.

- Mantenga a los niños fuera de la zona de trabajo y bajo la vigilancia de un adulto responsable.
- No permita que niños menores de 14 años utilicen esta máquina. Los niños de 14 años y mayores deben leer y entender las instrucciones de funcionamiento y las normas de seguridad que se encuentran en este manual y deben recibir formación y supervisión por parte de uno de sus progenitores.
- Manténgase alerta y apague la máquina si un niño o cualquier otra persona entra en la zona de trabajo.
- Tenga mucho cuidado al acercarse a esquinas ciegas, portales, arbustos, árboles u otros objetos que puedan ocultar su visión de un niño que pueda correr hacia el recorrido de la máquina.

3 SÍMBOLOS EN EL PRODUCTO




En esta herramienta pueden utilizarse algunos de los siguientes símbolos. Le rogamos que los estudie y aprenda su significado. La interpretación correcta de estos símbolos le permitirá manejar la herramienta mejor y de manera más segura.

Símbolo	Explicación
	Para reducir el riesgo de lesiones, el usuario debe leer y entender el manual del operario antes de utilizar este producto.
	No exponga el producto a la lluvia o a condiciones de humedad.

Símbolo	Explicación
	Lleve siempre gafas de seguridad o anteojos de seguridad con protectores laterales y, en caso necesario, un protector facial completo cuando utilice este producto.
	Para reducir el riesgo de inyección o lesión, nunca dirija un chorro de agua hacia personas o animales, ni coloque ninguna parte del cuerpo delante del chorro. Las fugas en las mangueras y los racores también pueden provocar lesiones por inyección. No sujete las mangueras ni los racores.
	Para reducir el riesgo de lesiones por retroceso, sujete firmemente la lanza con ambas manos cuando la máquina esté encendida.
	Si no se utiliza en condiciones secas y no se respetan prácticas seguras, pueden producirse descargas eléctricas.
	El combustible y sus vapores son explosivos y pueden producir quemaduras graves o incluso la muerte.
	¡Advertencia! Nunca apunte la pistola hacia personas, animales, el cuerpo de la máquina, la fuente de alimentación o cualquier aparato eléctrico.
	El aparato no es adecuado para la conexión a la red de agua potable sin un dispositivo de prevención de reflujo.
	Utilice la plataforma de limpieza únicamente sobre superficies planas y horizontales. Nunca levante la plataforma de limpieza de la superficie de limpieza mientras esté utilizando el limpiador a presión.
	Mantenga las manos y los pies alejados de la plataforma de limpieza mientras el limpiador a presión esté en funcionamiento.

4 NIVELES DE RIESGO

Las siguientes indicaciones y significados tienen como fin explicar los niveles de riesgo asociados a este producto.

SÍMBOLO	INDICACIÓN	SIGNIFICADO
	PELIGRO	Indica una situación de peligro inminente que, de no evitarse, provocará lesiones graves o incluso la muerte.
	ADVERTENCIA	Indica una situación de peligro potencial que, de no evitarse, podría provocar lesiones graves o incluso la muerte.
	PRECAUCIÓN	Indica una situación de peligro potencial que, de no evitarse, puede provocar lesiones leves o moderadas.
	PRECAUCIÓN	(Sin símbolo de alerta sobre seguridad) Indica una situación que puede provocar daños materiales.

5 PROPUESTA 65

▲ AVISO

Este producto contiene una sustancia química conocida en el estado de California como causante de cáncer, defectos de nacimiento u otros daños reproductivos. El polvo generado por el lijado eléctrico, el serrado, el esmerilado, la perforación y otras actividades de construcción contiene sustancias químicas que se sabe que son causantes de cáncer, defectos de nacimiento u otros daños reproductivos. Algunos ejemplos de estas sustancias químicas son:

- Plomo de pinturas con base de plomo;
- Sílice cristalina de ladrillos y cemento y otros productos de albañilería;
- Arsénico y cromo de la madera tratada químicamente.

El riesgo de exposición a estas sustancias químicas varía según la frecuencia con la que realice este tipo de trabajo. Para reducir su exposición a estas sustancias químicas, trabaje en una zona bien ventilada y trabaje con equipos de seguridad aprobados, como máscaras antipolvo, que estén especialmente diseñadas para filtrar partículas microscópicas.

Conserve estas instrucciones.

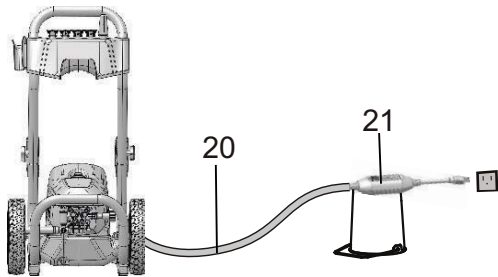
6 INSTALACIÓN

6.1 CONEXIÓN ELÉCTRICA

Esta máquina tiene un motor eléctrico fabricado con precisión. Debe conectarse a una fuente de alimentación de 120V, 60 Hz, únicamente CA (doméstica). No utilice esta máquina con corriente continua (CC). Una caída de tensión considerable provocará una pérdida de potencia y el motor se sobrecalentará.

6.1.1 PREPARACIÓN DE UN BUCLE DE GOTEO

Recomendamos la utilización de un bucle de goteo como se muestra a continuación para que el agua no corra a lo largo del cable de alimentación, ya que incluso podría llegar a la toma eléctrica y al enchufe.



▲ AVISO

Mantenga el cable alargador alejado de la superficie de trabajo. Coloque el cable de manera que no quede atrapado en madera, herramientas u otras obstrucciones mientras trabaja con una herramienta eléctrica. De no hacerlo podrían producirse lesiones personales graves.

6.2 DESEMBALAJE DE LA MÁQUINA

▲ AVISO

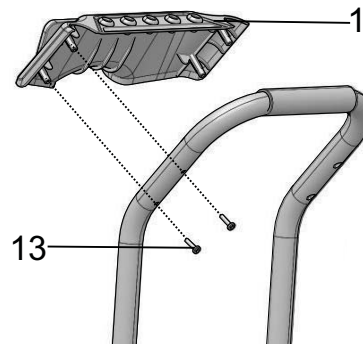
Asegúrese de montar correctamente la máquina antes del uso.

▲ AVISO

- Si las piezas presentan daños, no utilice la máquina.
- Si no tiene todas las piezas, no utilice la máquina.
- Si faltan piezas o hay piezas dañadas, hable con el centro de servicio.

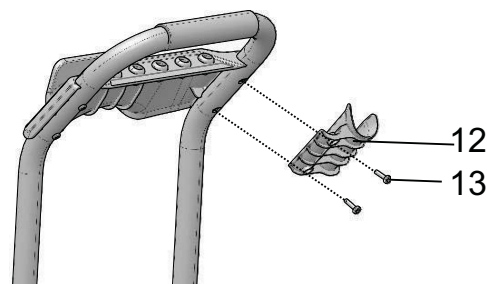
1. Abra el embalaje.
2. Lea la documentación que se encuentra en la caja.
3. Retire todas las piezas sin montar de la caja.
4. Retire la máquina de la caja.
5. Deseche la caja y el embalaje de conformidad con los reglamentos locales.

6.3 INSTALACIÓN DEL PANEL SUPERIOR



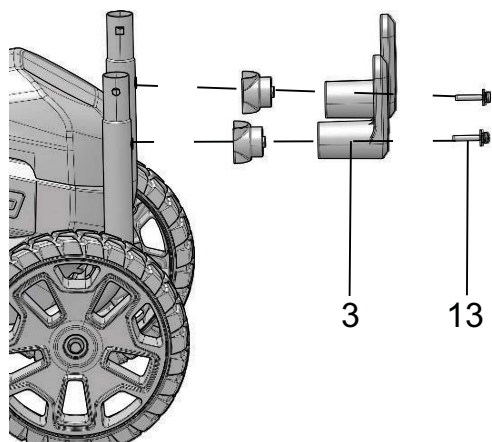
1. Alinee los manguitos de los tornillos del panel delantero (1) con los orificios de tornillo del asa superior.
2. Instale dos de los tornillos (de rosca gruesa) incluidos en los dos manguitos de los tornillos izquierdos del panel superior.
3. Apriete los tornillos con un destornillador Phillips (no incluido).

6.4 INSTALACIÓN DEL SOPORTE DE LA PISTOLA PULVERIZADORA



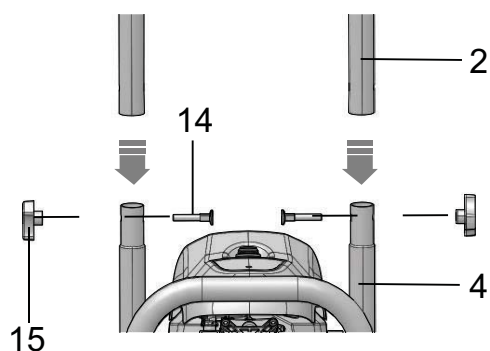
1. Alinee los manguitos de los tornillos del soporte de la pistola pulverizadora (12) con los orificios de tornillo del asa superior.
2. Instale los otros dos tornillos (de rosca gruesa) incluidos en los dos manguitos de los tornillos derechos del panel superior.
3. Apriete los tornillos con un destornillador Phillips (no incluido).

6.5 INSTALACIÓN DE LOS BRAZOS DE ALMACENAMIENTO DEL CABLE DE ALIMENTACIÓN



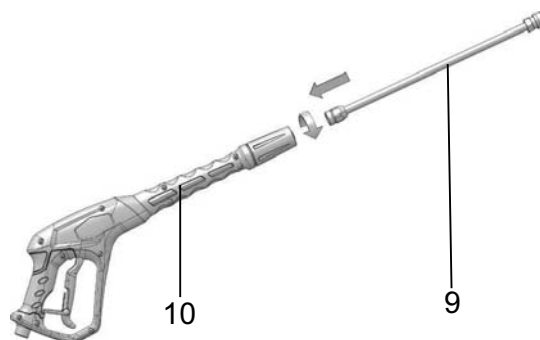
1. Conecte cada uno de los brazos de almacenamiento del cable de alimentación (3) en las dos posiciones separadas del asa inferior del accesorio.
2. Alinee el tornillo (13) con los orificios en cada uno de los brazos de almacenamiento del cable de alimentación (3).
3. Introduzca el tornillo (13) y apriete ambos brazos de almacenamiento del cable de alimentación (3) con un destornillador Phillips (no incluido).

6.6 INSTALACIÓN DEL ASA SUPERIOR



1. Alinee los orificios del asa superior (2) y el asa inferior (4).
2. Inserte los pernos del asa (14) y utilice los mandos del asa (15) para apretarlos.

6.7 INSTALACIÓN DE LA VARILLA PULVERIZADORA

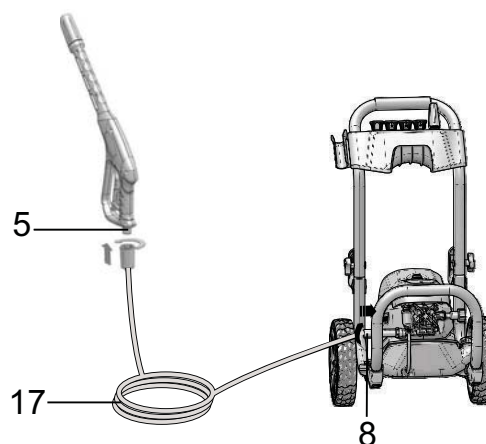


1. Introduzca el extremo de la varilla pulverizadora (9) en el asa del gatillo (10) y gire en sentido horario para fijar.
2. Tire de la varilla pulverizadora (9) para asegurarse de que está bien fijada.

▲ AVISO

Asegúrese de que la conexión no tenga fugas.

6.8 INSTALACIÓN DE LA MANGUERA DE ALTA PRESIÓN



1. Introduzca un extremo de la manguera de alta presión (17) en el acoplamiento de entrada (5) y gire en sentido horario.
2. Instale y apriete el otro extremo de la manguera de alta presión (17) en el acoplamiento de salida de agua (8).

7 FUNCIONAMIENTO

▲ AVISO

Asegúrese de que todas las conexiones estén apretadas y no tengan fugas antes del funcionamiento.

7.1 CONEXIÓN DEL SUMINISTRO DE AGUA A LA MÁQUINA

Para un fácil funcionamiento, utilice una manguera de jardín autoenrollable (no incluida).

▲ AVISO

Cuando utilice la manguera autoenrollable, asegúrese de que esta no tenga obstrucciones.

▲ AVISO

- El suministro de agua debe provenir de la red de abastecimiento de agua
- No utilice agua caliente
- No utilice agua de estanques o lagos

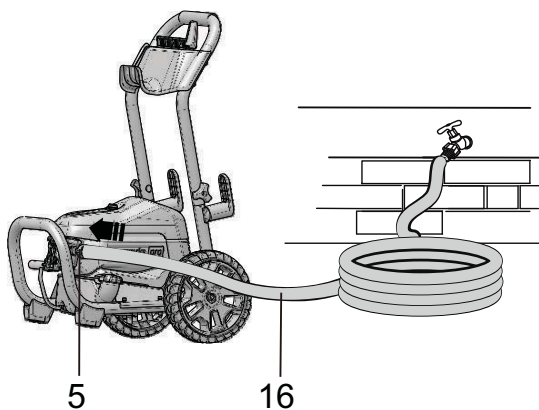
▲ AVISO

Compruebe los reglamentos locales cuando conecte la manguera de jardín al suministro de agua. Normalmente se permite la conexión directa a través de un depósito receptor o un dispositivo de prevención de reflujo.

▲ PRECAUCIÓN

Inspeccione el filtro en el conector de entrada de agua antes de conectar la manguera de jardín

- Si el filtro está dañado, no utilice la máquina hasta que sustituya el filtro.
- Limpie el filtro si está sucio.

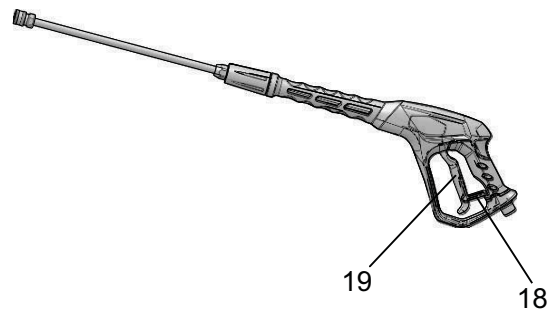


1. Desenrolle la manguera de jardín (16).
2. Deje que el agua fluya por la manguera de jardín (16) durante 30 segundos.
3. Desconecte el suministro de agua.
4. Instale y apriete el extremo de la manguera de jardín (16) en el conector de entrada de agua (5).

▲ PRECAUCIÓN

Debe haber un mínimo de 3 m de manguera libre entre la entrada de agua y el suministro de agua.

7.2 USO DE LA PISTOLA PULVERIZADORA



▲ AVISO

Para un control seguro, mantenga las manos en la pistola en todo momento.

- Apriete y mantenga apretado el gatillo de la pistola pulverizadora (19) para poner en marcha la máquina.
- Suelte el gatillo de la pistola pulverizadora (19) para detener el flujo de agua por la punta de pulverización (11).

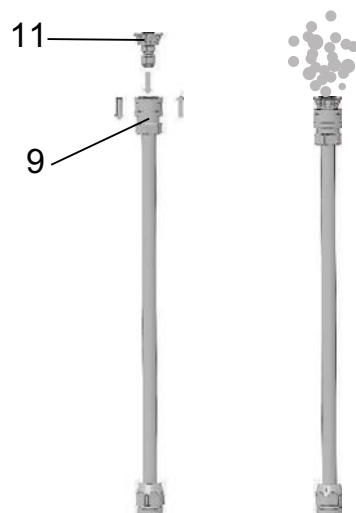
7.2.1 DESBLOQUEO DEL GATILLO DE LA PISTOLA

- Empuje el bloqueo de seguridad del gatillo (18) hacia abajo hasta que encaje en la ranura.

7.2.2 BLOQUEO DEL GATILLO DE LA PISTOLA

- Empuje el bloqueo de seguridad del gatillo (18) hacia arriba a su posición original.

7.3 CAMBIO DE LA PUNTA DE PULVERIZACIÓN



▲ AVISO



Antes de cambiar la punta de pulverización:




1. Apriete el gatillo de la pistola pulverizadora para liberar la presión de agua.
2. Acople el bloque de seguridad del gatillo en la pistola pulverizadora.
3. Pare la máquina.

▲ AVISO

No apunte la varilla pulverizadora hacia su propia cara o la de otras personas.

7.3.1 TIPO DE BOQUILLA

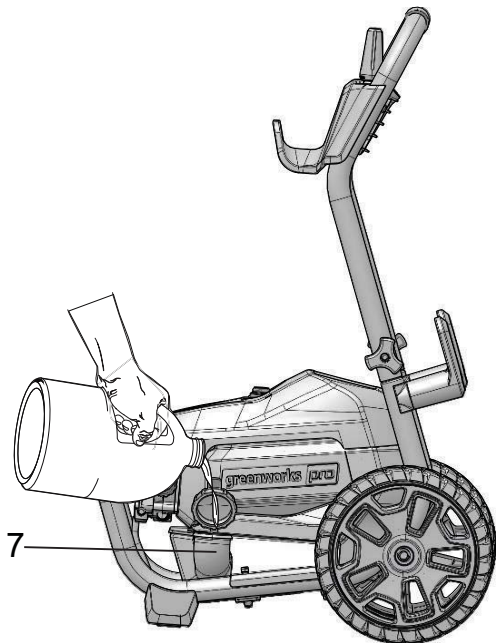
PUNTA DE PULVERIZACIÓN	APLICACIÓN
 15°	<p>Amarillo - Punta en abanico estrecha (15°)</p> <ul style="list-style-type: none"> La punta amarilla del limpiador a presión ofrece una gran versatilidad con su punta en ángulo de 15 grados. Se la denomina punta de lavado, porque proporciona la presión adecuada para eliminar la suciedad de las superficies, pero se ha diseñado para no dañar numerosas superficies. Esta punta del limpiador a presión se ha diseñado para "barrer" el follaje o los residuos dado su amplio ángulo. Esta punta es versátil gracias a su amplia zona de limpieza y aplicación de fuerte presión.
 25°	<p>Verde - Punta en abanico estrecha (25°)</p> <ul style="list-style-type: none"> La punta verde del limpiador a presión ofrece una gran versatilidad con su punta en ángulo de 25 grados. Se la denomina punta de lavado, porque proporciona la presión adecuada para eliminar la suciedad de las superficies, pero se ha diseñado para no dañar numerosas superficies. Esta punta del limpiador a presión se ha diseñado para "barrer" el follaje o los residuos dado su amplio ángulo. Esta punta es versátil gracias a su amplia zona de limpieza y aplicación de fuerte presión.

PUNTA DE PULVERIZACIÓN	APLICACIÓN
 40°	<p>Blanca - Punta en abanico ancha (40°)</p> <ul style="list-style-type: none"> La punta blanca de 40 grados, denominada punta "en abanico", genera la zona más amplia de limpieza con una presión relativamente baja. Esta punta del limpiador a presión es idónea para aplicaciones de limpieza ligera o delicada. Se recomienda para la limpieza ligera en cubiertas de madera y otras superficies suaves o delicadas.
 SOAP	<p>Punta negra para pulverizar jabón</p> <ul style="list-style-type: none"> La punta negra para pulverizar jabón se utiliza para la aplicación de jabón. El jabón se aplica con alto volumen y baja presión para un rendimiento óptimo. No se puede aplicar jabón a alta presión con esta máquina.
	<p>Punta de boquilla turbo</p> <ul style="list-style-type: none"> La boquilla gira en un patrón de pulverización de cero a 15 grados en un movimiento circular para soltar la suciedad difícil y la mugre. El patrón de pulverización puede cubrir una superficie de 10 a 20 cm de ancho, en función de la distancia entre la punta y la superficie que se limpia.

7.3.2 INSTALACIÓN DE LA PUNTA DE PULVERIZACIÓN

1. Tire hacia atrás del collarín de conexión rápida de la varilla pulverizadora (9).
2. Instale la punta de pulverización (11) en la varilla pulverizadora (9).
3. Suelte el collarín de conexión rápida para fijar la punta de pulverización (11).
4. Tire de la punta de pulverización (11) para asegurarse de que esté instalada correctamente y no se salga.

7.4 ADICIÓN DE DETERGENTE



▲ AVISO

No utilice detergentes domésticos, ácidos, alcalinos, lejías, disolventes, materiales inflamables o soluciones para uso industrial que puedan dañar la bomba.

▲ AVISO

Siga las instrucciones de la botella de solución para preparar el detergente.

i NOTA

En caso necesario, utilice un embudo para evitar el derrame de detergente. Limpie y seque el detergente derramado durante el llenado.

i NOTA

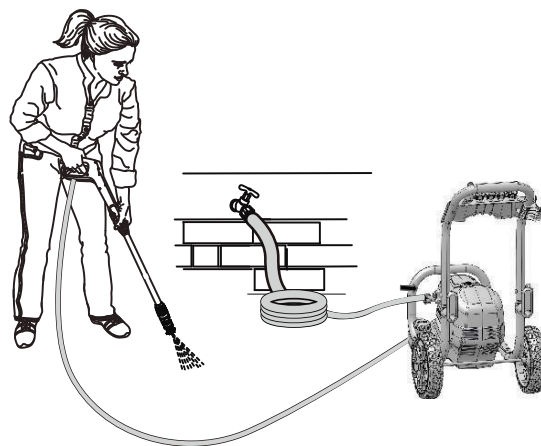
Solo puede aplicarse jabón/detergente con esta máquina cuando la boquilla negra (75 grados) está instalada.

1. Ponga la máquina en vertical sobre una superficie plana.
2. Abra la tapa del depósito de detergente (7).
3. Ponga el detergente en el depósito de detergente (7).
4. Cierre la tapa.

i NOTA

No deje que el detergente se seque sobre la superficie para evitar trazas.

7.5 PUESTA EN MARCHA DE LA MÁQUINA



▲ PRECAUCIÓN

No utilice sin el suministro de agua conectado.

▲ PRECAUCIÓN

Antes de poner en marcha la máquina:

1. Conecte el suministro de agua.
2. Apriete el gatillo de la pistola para liberar la presión de aire.
3. Cuando observe un chorro de agua estable, suelte el gatillo de la pistola pulverizadora.

1. Conecte la máquina al suministro de alimentación.
2. Sitúe el interruptor de encendido en la posición de encendido (I).
3. Conecte el suministro de agua.
4. Apriete el gatillo de la pistola pulverizadora.

7.6 DETENCIÓN DE LA MÁQUINA

1. Suelte el gatillo de la pistola pulverizadora.
2. Pulse de nuevo el interruptor de encendido/apagado para situar el interruptor en la posición de apagado (O).

▲ AVISO

Si no utiliza la máquina:

- Detenga la máquina.
- Desconecte el suministro de agua.
- Desconecte el cable de alimentación de la toma de pared.
- Apriete el gatillo de la pistola pulverizadora para liberar la presión restante de la máquina.
- Acople el bloqueo de seguridad del gatillo en la pistola pulverizadora.

8 MANTENIMIENTO

▲ AVISO

Antes del mantenimiento, asegúrese de

- Detener la máquina.
- Esperar hasta que se detengan todas las piezas móviles.
- Desconectar el enchufe de la fuente de alimentación.

▲ AVISO

No utilice disolventes o detergentes fuertes en la carcasa o los componentes de plástico.

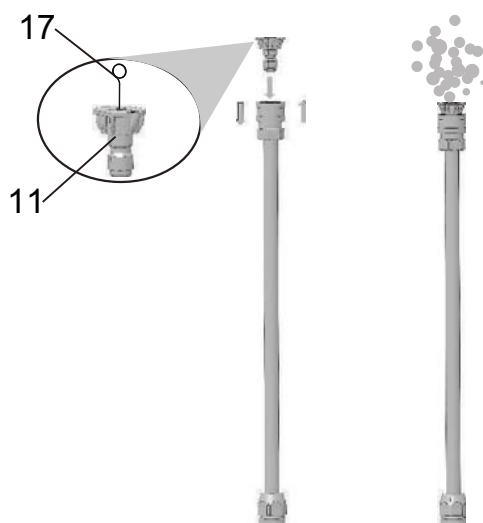
▲ AVISO

No permita que líquidos de frenos, gasolina y otros derivados del petróleo toquen las piezas de plástico. Las sustancias químicas pueden dañar el plástico y hacer que quede inservible.

▲ AVISO

El cable de alimentación debe ser sustituido por un centro de servicio autorizado.

8.1 MANTENIMIENTO DE LA PUNTA DE PULVERIZACIÓN



Si hay demasiada presión de la bomba, la punta de pulverización puede obstruirse y puede sentirse una sensación de pulsación mientras aprieta el gatillo de la pistola pulverizadora.

8.1.1 RETIRADA DE LA PUNTA DE PULVERIZACIÓN

1. Tire hacia atrás del collarín de conexión rápida de la varilla pulverizadora (9).
2. Retire la punta de pulverización de la varilla pulverizadora (9).

8.1.2 LIMPIEZA DE LA PUNTA DE PULVERIZACIÓN

1. Utilice un clip de papel recto o la herramienta de limpieza (17) para limpiar la punta de pulverización.
2. Elimine y limpie los materiales no deseados de la punta de pulverización (11) con la manguera de jardín (16).
3. Instale la punta de pulverización limpia (11) en la varilla pulverizadora (9).

9 TRANSPORTE Y ALMACENAMIENTO

▲ AVISO

Desconecte el cable de alimentación y la manguera de suministro de agua antes del transporte y el almacenamiento.

9.1 TRASLADO DE LA MÁQUINA

- Apunte la varilla pulverizadora en una dirección segura.
- Sujete la máquina únicamente por la empuñadura.

9.2 ALMACENAMIENTO DE LA MÁQUINA

▲ AVISO

Asegúrese de que la pistola de pulverización, la manguera de alta presión y la bomba estén secas.

▲ AVISO

Asegúrese de que la máquina esté fuera del alcance de los niños.

i NOTA

Utilice un protector de bomba recomendado para evitar daños por el frío durante el almacenamiento en invierno.

- Desconecte la manguera de jardín de la máquina.
- Enrolle el cable de alimentación y la manguera de alta presión.
- Limpie la carcasa y los componentes de plástico con un paño húmedo y suave.
- Asegúrese de que la máquina no tenga piezas sueltas o dañadas. Si es necesario, siga estos pasos/estas instrucciones:
 - Sustituya las piezas dañadas.
 - Apriete los pernos.
 - Si es necesario, llame al número de teléfono del servicio de atención al cliente (introducir el número aquí) para obtener instrucciones de servicio.
- Almacene la máquina en un lugar seco, aislado y donde no hiele.

10 SOLUCIÓN DE PROBLEMAS

ES


PROBLEMA	POSIBLE CAUSA	SOLUCIÓN
El motor no se pone en marcha.	El botón de encendido está en la posición de apagado (O).	Sitúe el interruptor de encendido en la posición de encendido ().
	El cable de alimentación no se ha enchufado.	Conecte el cable al suministro de alimentación.
	La toma eléctrica no tiene suficiente potencia.	Intente otra toma eléctrica.
	El disyuntor del circuito ha saltado.	Deje que se enfríe y vuelva a poner en marcha la máquina.
	El interruptor de encendido está activado, pero no ha apretado el gatillo de la pistola pulverizadora.	Apriete el gatillo de la pistola pulverizadora.
La máquina no alcanza alta presión.	El diámetro de la manguera de jardín es demasiado pequeño.	Sustituya por una manguera de jardín de 1" (25 mm) o 5/8" (16 mm).
	El suministro de agua está obstruido.	Compruebe si la manguera de jardín tiene dobleces, fugas o algún bloqueo.
	El suministro de agua es insuficiente.	Abra totalmente el suministro de agua.
	La punta de pulverización no se ha instalado correctamente en la varilla pulverizadora.	Instale la punta de pulverización deseada en el extremo de la varilla.
	El filtro de admisión de agua está atascado.	Retire el filtro y lávelo con agua templada.

PROBLEMA	POSIBLE CAUSA	SOLUCIÓN
La presión de salida varía entre alta y baja.	El suministro de agua es insuficiente.	Abra totalmente el suministro agua. Compruebe si la manguera de jardín tiene dobleces, fugas o algún bloqueo.
	La bomba está aspirando aire.	<ol style="list-style-type: none"> 1. Asegúrese de que las mangueras y los racores sean estancos. 2. Apague la máquina. 3. Purgue la bomba apretando el gatillo de la pistola hasta que salga un flujo constante de agua por la punta de pulverización.
	El filtro de admisión de agua está atascado.	Retire el filtro y lávelo con agua templada.
	La tensión de suministro es baja.	Asegúrese de que solo el limpiador a presión esté funcionando en el circuito.
	La pistola, la manguera o la boquilla están calcificadas.	Haga pasar vinagre destilado por el depósito de detergente.

PROBLEMA	POSIBLE CAUSA	SOLUCIÓN
El motor zumba, pero la máquina no se pone en marcha.	La tensión de suministro es baja.	Asegúrese de que solo el limpiador a presión esté funcionando en el circuito.
	El sistema de bombeo tiene presión residual.	<ol style="list-style-type: none"> 1. Apague la máquina. 2. Apriete el gatillo de la pistola pulverizadora en la varilla pulverizadora para liberar la presión. 3. Encienda la máquina.
	Pérdida de tensión debido al uso de un cable alargador incorrecto.	Desconecte el cable alargador y conecte la máquina directamente en la toma.
	El limpiador a presión no se utiliza durante periodos prolongados.	Avise al servicio de atención al cliente.
	Fricción residual entre los componentes. La unidad puede emitir un zumbido.	<ol style="list-style-type: none"> 1. Desconecte el suministro de agua. 2. Encienda la máquina durante 2 o 3 segundos. 3. Repita el paso anterior un par de veces o hasta que arranque el motor.
No hay agua.	El suministro de agua está desconectado.	Conecte el suministro de agua.
	La manguera de jardín está doblada.	Elimine el doblez de la manguera de jardín.

11 DATOS TÉCNICOS

Motor universal	120V~ 60 Hz, 14 Amps
Máx. presión libras por pulgada al cuadrado	2300 PSI
Galones nominales por minuto	1.2 GPM

Galones nominales máx. por minuto	2.3 GPM
Temperatura máxima de agua de entrada	104 °F (40 °C)
Unidades de limpieza	2760 C.U.
Peso	36,4 lbs. (16,5 kg)
	Estructura con doble aislamiento.

12 GARANTÍA LIMITADA



Por la presente Greenworks garantiza este producto, al comprador original con el comprobante de compra, durante un periodo de tres (3) años frente a defectos en materiales, piezas o mano de obra. A su entera discreción Greenworks reparará o sustituirá cualquiera y todas las piezas que resulten ser defectuosas, con un uso normal, sin coste alguno para el cliente. Esta garantía es válida únicamente para unidades que se hayan utilizado para uso personal que no han sido arrendadas o alquiladas para uso industrial/comercial y cuyo mantenimiento se ha realizado de acuerdo con las instrucciones del manual del propietario suministrado con el producto nuevo.

ARTÍCULOS NO CUBIERTOS POR LA GARANTÍA:

1. Cualquier pieza que no funcione debido a mal uso, uso comercial, abuso, negligencia, accidente, mantenimiento inadecuado o alteración; o
2. La unidad, si no ha sido utilizada o mantenida de acuerdo con el manual del propietario; o
3. Desgaste normal, excepto en lo indicado a continuación;
4. Artículos de mantenimiento de rutina tales como lubricantes, afilado de cuchillas;
5. Deterioro normal del acabado exterior debido al uso o la exposición.

LÍNEA DE ASISTENCIA TELEFÓNICA:

Puede contactar con el servicio de garantía llamando a nuestra línea de asistencia telefónica gratuita, a 1-855-345-3934.

COSTES DE TRANSPORTE:

Los costes de transporte por el desplazamiento de cualquier unidad o accesorio de equipos eléctricos son responsabilidad del comprador. Es responsabilidad del comprador pagar los costes de transporte de cualquier pieza enviada para su sustitución bajo esta garantía, a menos que dicha devolución sea solicitada por escrito por Greenworks.

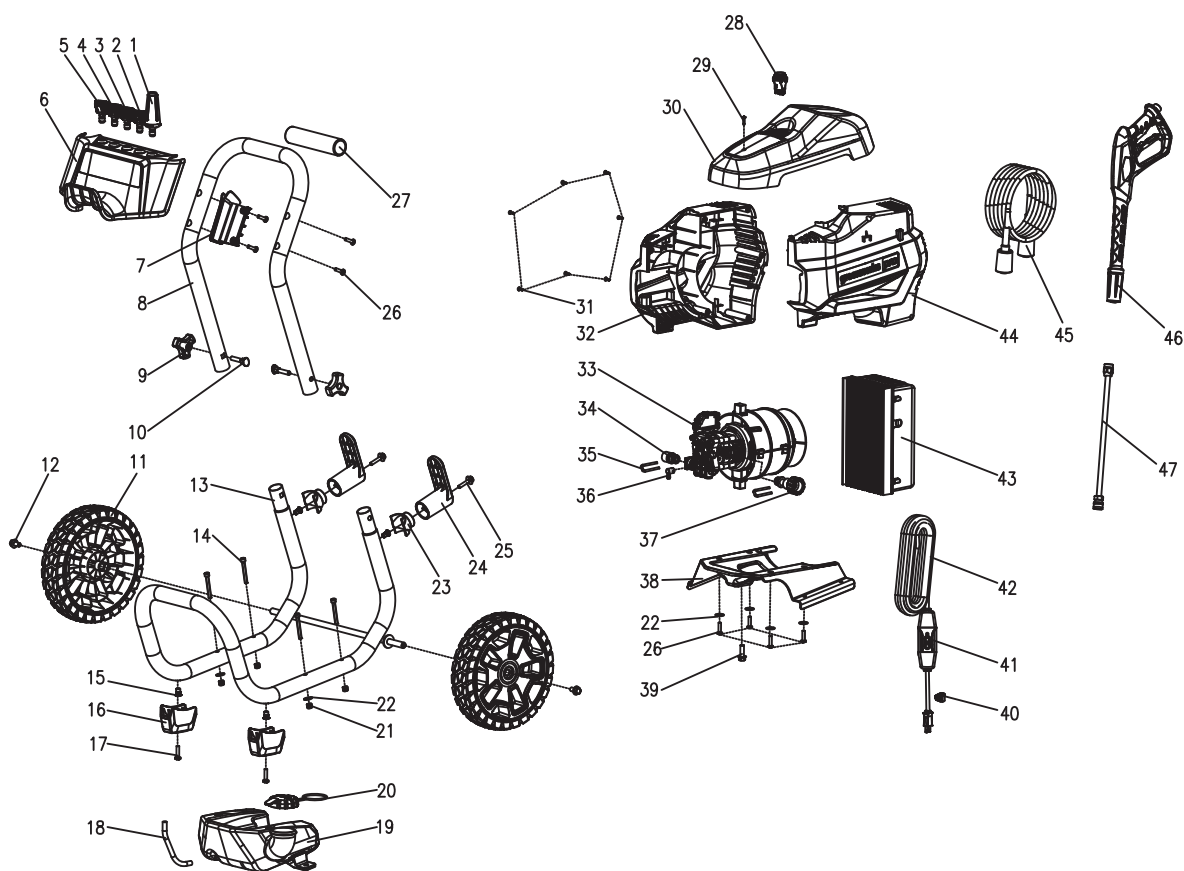
Dirección en EE.UU.:

Greenworks Tools

P.O. Box 1238

Mooresville, NC 28115

13 VISTA DESPIEZADA



Nº ARTÍCULO	Nº PIEZA	DESCRIPCIÓN	CANT.
1	C1104816-00	Boquilla turbo	1
2	C1102281-00	Punta de pulverización de 40°	1
3	C1102280-00	Punta de pulverización de 25°	1
4	C1102279-00	Punta de pulverización de 15°	1
5	34139319	Punta de jabón	1
6	C1104781-00	Retención de punta de pulverización de goma	1
7	C4102035-00	Soporte de pistola pulverizadora	1
8	C3202489-00	Asa superior	1

9	3410835-4	Mando	2
10	3220436-2	Perno	2
11	C4102293-00	Conjunto de las ruedas	2
12	32202390A	Tornillo	2
13	C3202487-00	Asa inferior	1
14	322011023	Perno	4
15	322021822	Tuerca	4
16	C4102172-00	Almohadilla para pies del bastidor	2
17	3220398	Tornillo	2
18	34900365	Manguera de detergente	16cm
19	C4102034-00	Depósito de detergente	1
20	C4100527-00	Tapa del depósito de detergente	1
21	32222301A	Tuerca	4
22	32913847	Espaciador	6
23	C4100808-00	Retención de brazo de cable de alimentación	2
24	C4100809-00	Conjunto de brazo de cable de alimentación	2
25	322351635	Tornillo	2
26	322011628	Tornillo	8
27	C4300022-00	Cubierta del asa de tracción	1
28	C6200015-00	Interruptor de encendido	1
29	3320303	Tornillo	1
30	C4102033-00	Cubierta del motor	1
31	32202847	Tornillo	7
32	C4102031-00	Carcasa izquierda	1
33	C1104143-00	Motor	1
34	C1102650-00	Salida de agua	1
35	33302365	Pasador en U	2
36	341071923	Conector de manguera de detergente	1
37	311231635	Entrada de agua	1
38	C3202488-00	Placa de hierro	1
39	C3200446-00	Tornillo	1
40	34146363	Pinza de cable de alimentación	1
41	363002583	GFCI	1
42	C6300178-00	Cable de alimentación	1
43	311601936	Controlador del limpiador a presión	1
44	C4102032-00	Carcasa derecha	1
45	311311635	Manguera de alta presión	1
46	C1104484-00	Pistola pulverizadora	1
47	311452302	Varilla pulverizadora	1

