

# greenworks

2600200

EN SNOW THROWER

OPERATOR MANUAL

FR SOUFFLEUSE À NEIGE

MANUEL OPÉRATEUR



**SNF401**

[www.greenworkstools.com](http://www.greenworkstools.com)  
[www.greenworkstools.ca](http://www.greenworkstools.ca)

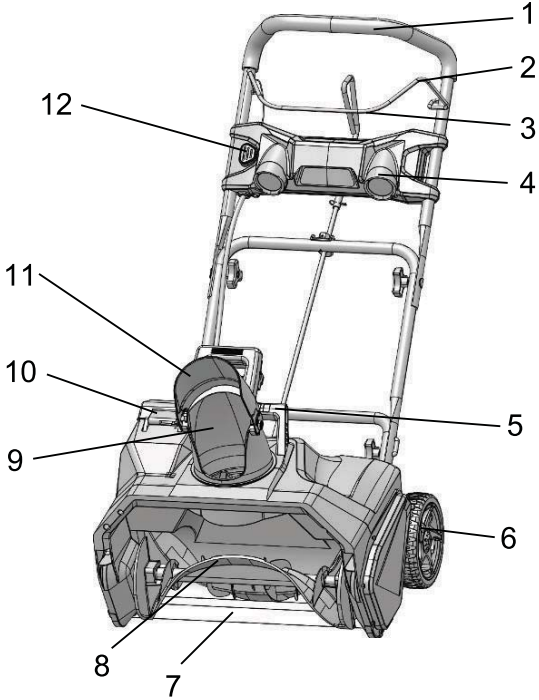
<b>1</b>	<b>Description.....</b>	<b>2</b>	7.6	Install the battery pack.....	6
1.1	Purpose.....	2	7.7	Remove the battery pack.....	6
1.2	Overview.....	2	<b>8</b>	<b>Operation.....</b>	<b>6</b>
<b>2</b>	<b>General power tool safety</b>		8.1	Cold weather operation.....	6
	<b>warnings.....</b>	<b>2</b>	8.2	Start the machine.....	6
2.1	Training.....	2	8.3	Stop the machine.....	7
2.2	Preparation.....	2	8.4	Adjust the discharge chute.....	7
2.3	Operation.....	3	8.5	Adjust the chute deflector.....	7
2.4	Maintenance.....	3	8.6	LED headlights.....	7
<b>3</b>	<b>Symbols on the product.....</b>	<b>4</b>	8.7	Operation tips.....	8
<b>4</b>	<b>Risk levels.....</b>	<b>4</b>	<b>9</b>	<b>Maintenance.....</b>	<b>8</b>
<b>5</b>	<b>Recycle.....</b>	<b>4</b>	9.1	General maintenance.....	8
<b>6</b>	<b>Proposition 65.....</b>	<b>4</b>	9.2	Replace the scraper.....	8
<b>7</b>	<b>Installation.....</b>	<b>5</b>	9.3	Replace the impeller.....	8
7.1	Unpack the machine.....	5	9.4	Store the machine.....	9
7.2	Install the middle handle.....	5	<b>10</b>	<b>Troubleshooting.....</b>	<b>9</b>
7.3	Install the upper handle.....	5	<b>11</b>	<b>Technical data.....</b>	<b>10</b>
7.4	Install the chute deflector.....	5	<b>12</b>	<b>Limited warranty.....</b>	<b>10</b>
7.5	Install the chute control rod.....	6	<b>13</b>	<b>Exploded view.....</b>	<b>11</b>

# 1 DESCRIPTION

## 1.1 PURPOSE

This machine is used to remove and clear away snow from pavements, gardens, driveways and other ground-level surfaces.

## 1.2 OVERVIEW



- 1 Handle bar
- 2 Bail switch
- 3 Chute control rod
- 4 LED lights
- 5 Carrying or lifting handle
- 6 Wheel
- 7 Impeller
- 8 Scraper
- 9 Discharge chute
- 10 Battery compartment
- 11 Chute deflector
- 12 Safety switch button

# 2 GENERAL POWER TOOL SAFETY WARNINGS

**▲ WARNING**

Read all safety warnings and all instructions. Failure to follow the warnings and instructions may result in electric shock, fire and/or serious injury.

Save all warnings and instructions for future reference.

The term “power tool” in the warnings refers to your battery-operated (cordless) power tool.

## 2.1 TRAINING

- Do not allow children under the age of 14 to operate this tool. Children who are 14 years of age or older must read and understand the operating instructions and safety rules in this manual and must be trained and supervised by a parent.
- Read the operating and service instruction manual carefully. Be thoroughly familiar with the controls and the proper use of the power tool. Know how to stop the unit and disengage the controls quickly.
- Never allow children to operate the power tool. Never allow adults to operate the power tool without proper instruction.
- Keep the area of operation clear of all persons, particularly small children, and pets.
- Exercise caution to avoid slipping or falling, especially when operating in reverse.
- Do not use on graveled surface unless the snow thrower is adjusted for such a surface in accordance with the operator’s manual.
- Dress Properly – Do not wear loose clothing or jewelry. They can be caught in moving parts.
- Wear appropriate boots when operating the snow thrower.
- Operation of the snow thrower in the hand-held position is unsafe, except in accordance with the special instructions for such use provided in the operator’s manual.
- Avoid Accidental Starting– Don't carry the snow thrower with fingers on the switch while the battery is inserted. Be sure the switch is off when inserting the battery pack.

## 2.2 PREPARATION

- Thoroughly inspect the area where the power tool is to be used and remove all doormats, sleds, boards, wires, and other foreign objects.
- Do not operate the power tool without wearing adequate winter garments. Wear footwear, which will improve footing on slippery surfaces.
- Adjust the housing height to clear gravel or crushed rock surface.
- Never attempt to make any adjustments while the machine is running (except where specifically recommended by manufacturer).
- Always wear safety glasses or eye shields during operation or while performing an adjustment or repair to protect eyes from foreign objects that may be thrown from the machine.
- Prevent unintentional starting. Ensure the switch is in the off-position before connecting to battery pack, picking up or carrying the appliance. Carrying the appliance with your finger on the switch or energizing appliance that have the switch on invites accidents.

- Disconnect the battery pack from the appliance before making any adjustments, changing accessories, or storing appliance. Such preventive safety measures reduce the risk of starting the appliance accidentally.
- When battery pack is not in use, keep it away from other metal objects, like paper clips, coins, keys, nails, screw or other small metal objects, that can make a connection from one terminal to another. Shorting the battery terminals together may cause burns or a fire.

## 2.3 OPERATION

- Do not put hands or feet near or under rotating parts. Keep clear of the discharge opening at all times.
- Exercise extreme caution when operating on or crossing gravel drives, walks, or roads. Stay alert for hidden hazards or traffic.
- After striking a foreign object, turn the machine off and remove the battery pack, and then inspect it for damage. Repair any damage before restarting and using the machine.
- If the power tool should start to vibrate abnormally, stop the machine and check immediately for the cause. Vibration is generally a warning of trouble.
- Stop the machine whenever you leave the operating position, before unclogging the collector/impeller housing or discharge guide, and when making any repairs, adjustments, or inspections.
- When cleaning, repairing, or inspecting, make certain the collector/impeller and all moving parts have stopped.
- Exercise extreme caution when operating on slopes.
- Never operate the snow thrower without proper guards, keep other safety protective devices in place and working.
- Never direct the discharge toward people or areas where property damage can occur. Keep children and others away.
- Don't Overreach – Keep proper footing and balance at all times.
- Do not overload the machine capacity by attempting to clear snow at too fast a rate.
- Don't Force Snow Thrower – It will perform better and safer at the rate for which it was designed.
- Never operate the power tool at high transport speeds on slippery surfaces. Use care when reversing.
- Never direct discharge at bystanders or allow anyone in front of the power tool.
- Disengage power to the collector/impeller when the power tool is transported or not in use.
- Use only attachments and accessories approved by the manufacturer of the snow thrower (such as wheel weights, counterweights, or cabs).
- Never operate the power tool without good visibility or light. Always be sure of your footing, and keep a firm hold on the handles.
- Walk, never run.
- Clearing a Clogged Discharge Chute.

- Hand contact with the rotating impeller inside the discharge chute is the most common cause of injury associated with snow throwers. Never use your hand to clean out the discharge chute. To clear the chute:
  1. SHUT THE ENGINE (Motor) OFF!
  2. Wait 10 seconds to be sure the impeller blades have stopped rotating.
  3. Always use a clean-out tool, not your hands.
- If the snow thrower strikes a foreign object follow these steps:
  1. Stop snow thrower. Release the switch.
  2. Remove the battery pack.
  3. Inspect for damage.
  4. Repair any damage before restarting and operating the snow thrower.

## 2.4 MAINTENANCE

- Check shear bolts; engine-mounted bolt, etc., at frequent intervals for proper tightness to be sure the power tool is in safe working condition.
- Always refer to owner's guide instructions for important details if the power tool is to be stored for an extended period.
- Store Idle Snow throwers Indoors – When not in use, snow throwers should be stored indoors in a dry, locked-up place – out of reach of children.
- Store Idle Snow throwers Indoors – When not in use, snow throwers should be stored indoors in a dry, locked-up place – out of reach of children.
- Run the power tool a few minutes after throwing snow to prevent freeze-up of the collector/impeller.
- Do not use a battery pack or appliance that is damaged or modified. Damaged or modified batteries may exhibit unpredictable behavior resulting in fire, explosion or risk of injury.
- Do not expose a battery pack or appliance to fire or excessive emperature space. Exposure to fire or temperature above 265°F (130°C) may cause explosion.
- Follow all charging instructions and do not charge the battery pack or appliance outside of the temperature range specified in the instructions. Charging improperly or at temperatures outside of the specified range may damage the battery and increase the risk of fire.
- Have servicing performed by a qualified repair person using only identical replacement parts. This will ensure that the safety of the product is maintained.
- Do not modify or attempt to repair the appliance or the battery pack (as applicable) except as indicated in the instructions for use and care.
- Maintain Snow Thrower With Care – Follow instructions for lubricating and changing accessories.

### 3 SYMBOLS ON THE PRODUCT

Some of the following symbols may be used on this tool. Please study them and learn their meaning. Proper interpretation of these symbols will allow you to operate the tool better and safer.

Symbol	Explanation
	Direct current
	Precautions that involve your safety.
	Read and understand all instructions before operating the product, and follow all warnings and safety instructions.
	Wear eye protection.
	Thrown objects can ricochet and result in personal injury or property damage. Wear protective clothing and boots.
	Keep bystanders a safe distance from the machine.
	Keep hands away from the discharge area.
	Stay away from moving parts. Keep all guards and shields in place.
	Keep feet out of impeller. Keep feet away from rotating impeller.
	Stop the motor and remove the battery before leaving the product.

### 4 RISK LEVELS

The following signal words and meanings are intended to explain the levels of risk associated with this product.

SYM-BOL	SIGNAL	MEANING
	DANGER	Indicates an imminently hazardous situation, which, if not avoided, will result in death or serious injury.
	WARNING	Indicates a potentially hazardous situation, which, if not avoided, could result in death or serious injury.

SYM-BOL	SIGNAL	MEANING
	CAUTION	Indicates a potentially hazardous situation, which, if not avoided, may result in minor or moderate injury.
	CAUTION	(Without Safety Alert Symbol) Indicates a situation that may result in property damage.

### 5 RECYCLE

	Separate collection. You must not discard with usual household waste. If it is necessary to replace the machine, or if it is no more use to you, do not discard it with household waste. Make this machine available for separate collection.
	Separate collection of used machine and packaging let you recycle materials and use them again. Use of the recycled materials helps prevent environmental pollution and decreases the requirements for raw materials.
	At the end of their useful life, discard batteries with a precaution for our environment. The battery contains material that is dangerous to you and the environment. You must remove and discard these materials separately at a equipment that accepts lithium-ion batteries.

### 6 PROPOSITION 65

#### ⚠ WARNING

This product contains a chemical known to the state of California to cause cancer, birth defects or other reproductive harm. Some dust created by power sanding, sawing, grinding, drilling, and other construction activities contains chemicals known to cause cancer, birth defects or other reproductive harm. Some examples of these chemicals are:

- Lead from lead-based paints;
- Crystalline silica from bricks and cement and other masonry products;
- Arsenic and chromium from chemically treated lumber.

Your risk of exposure to these chemicals varies depending on how often you do this type of work. To reduce your exposure to these chemicals, work in a well-ventilated area, and work with approved safety equipment, such as dust masks that are specially designed to filter out microscopic particles.

Save these instructions.

## 7 INSTALLATION

### ▲ WARNING

Do not change or make accessories that are not recommended by the manufacturer.

### ▲ WARNING

Do not connect to power supply until you assemble all the parts.

### 7.1 UNPACK THE MACHINE

#### ▲ WARNING

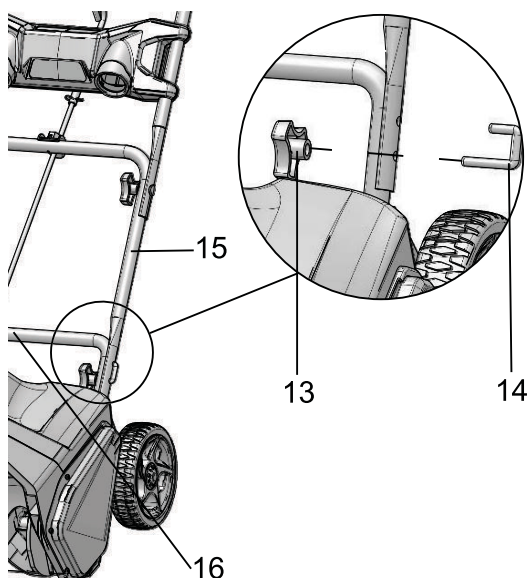
Make sure that you correctly assemble the machine before use.

#### ▲ WARNING

- If the parts are damaged, do not use the machine.
- If you do not have all the parts, do not operate the machine.
- If the parts are damaged or missing, speak to the service center.

1. Open the package.
2. Read the documentation in the box.
3. Remove all the unassembled parts from the box.
4. Remove the machine from the box.
5. Discard the box and package in compliance with local regulations.

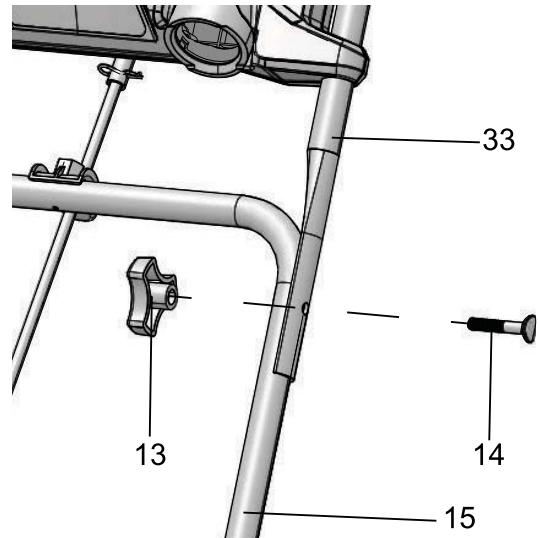
### 7.2 INSTALL THE MIDDLE HANDLE



1. Align the holes in the middle handle (15) and the lower handle (16).

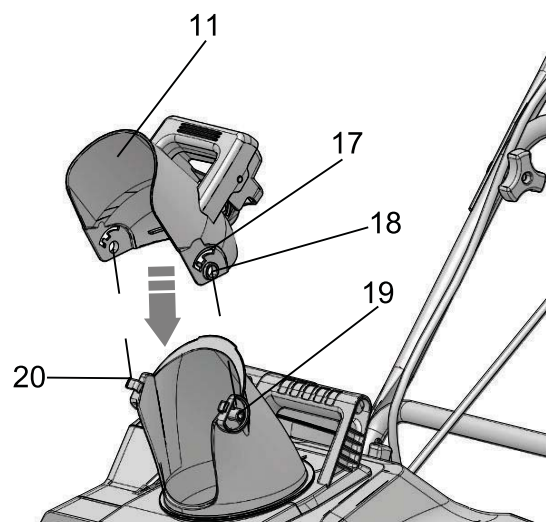
2. Put the bolts (14) through the middle handle (15) and the lower handle (16).
3. Tighten the handle knob (13) onto the bolt (14).
4. Repeat for left/right side.

### 7.3 INSTALL THE UPPER HANDLE



1. Align the holes in the middle handle (15) and the upper handle (33).
2. Put the bolts (14) through the holes.
3. Tighten the handle knobs (13) onto the bolts (14).
4. Do the same operation on the other side.

### 7.4 INSTALL THE CHUTE DEFLECTOR

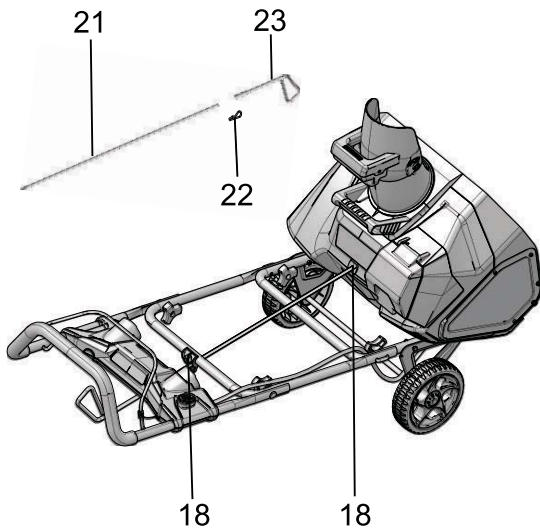


1. Align the tabs (20) on to the slots (17) on one side first.
2. Once you have engaged one tab on one slot push until you hear a click. Repeat on other side.
3. Push the chute deflector (11).
4. Make sure that the tabs (20) engage the slots (17) on the two sides.



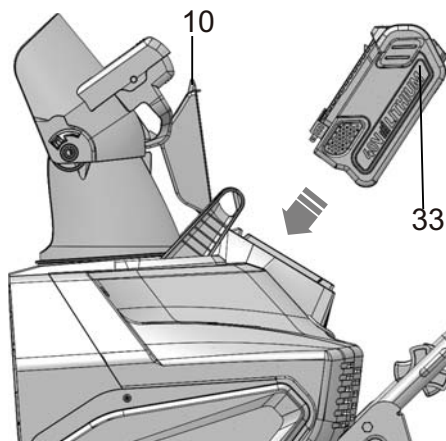
5. Make sure that the posts (19) engage the holes (18) on the two sides.

## 7.5 INSTALL THE CHUTE CONTROL ROD



1. Align the holes (18) in the upper chute control rod (23) and lower chute control rod (21).
2. Put the hitch pin (22) through the holes (18).
3. Align the arrows in the discharge chute and snow thrower deck. Make sure the discharge chute faces forward.
4. Put the end of the chute control rod (3) straight through the hole (18) in the bracket. Keep the grip handle down.
5. Push the chute control rod (3) into the hole (18) behind the deck.
6. Turn the grip handle left and right to make sure that the discharge chute moves in the same direction.

## 7.6 INSTALL THE BATTERY PACK



### ▲ WARNING

- If the battery pack or charger is damaged, replace the battery pack or the charger.
- Stop the machine and wait until the engine stops before you install or remove the battery pack.
- Read, know, and follow the instructions in the battery and charger manual.

1. Open the battery door (10).
2. Align the ribs on the battery pack (33) with the grooves in the battery compartment.
3. Push the battery pack (33) into the battery compartment until the battery pack (33) locks into place.
4. When you hear a click, the battery pack (33) is installed.
5. Close the battery door (10).

## 7.7 REMOVE THE BATTERY PACK

1. Open the battery door (10).
2. Push and hold the battery release button.
3. Remove the battery pack (33) from the machine.

## 8 OPERATION

### ▲ WARNING

Wear eye protection during operation.

### 8.1 COLD WEATHER OPERATION

The safe battery operation temperature ranges from 1°F (-17°C) to 113°F (45°C).

### ▲ WARNING

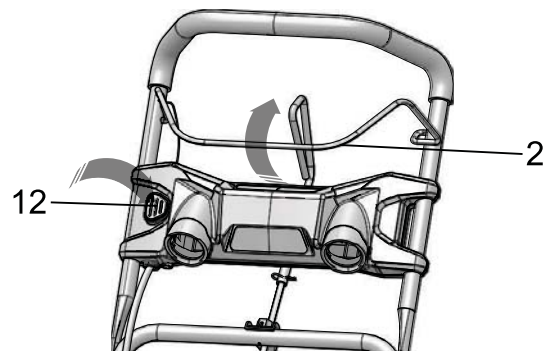
Do not store or charge battery outside.

Battery must be charged and stored indoors prior to use of the machine.

If the machine does not start below 1°F (-17°C),

- remove the battery pack from the machine,
- charge the battery pack for 10 minutes in warm area, or when the charging light turns green.
- Install the battery pack again.

### 8.2 START THE MACHINE



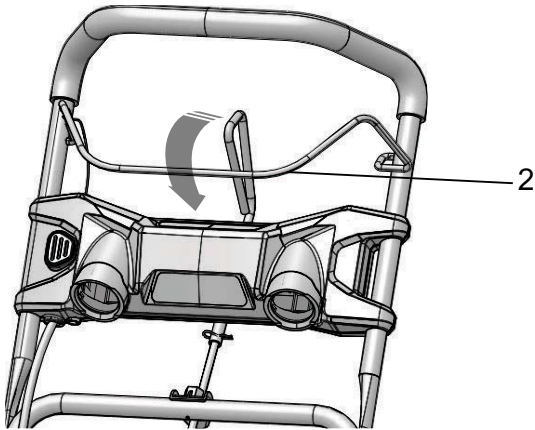
1. While holding the safety switch button (12), pull the bail lever (2) to start the machine.

### ▲ WARNING

Keep bystanders a safe distance from the machine.

**▲ WARNING**

Examine the work area. Remove all stones, sticks, wire, bones, and other debris that can ricochet because of the rotating impeller.

**8.3 STOP THE MACHINE**

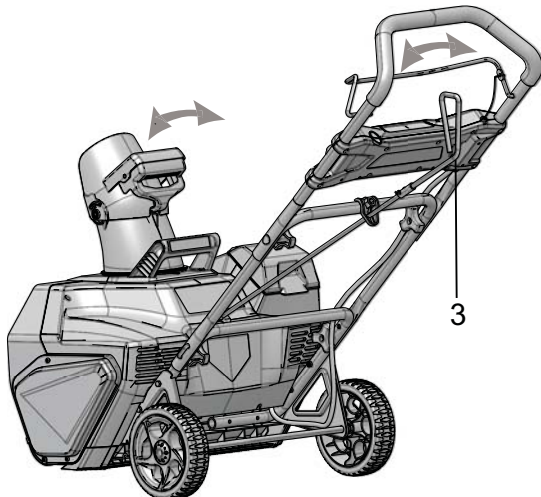
1. Release the bail lever (2) to stop the machine.

**▲ WARNING**

Wait until the impeller fully stops before you start the machine again. Do not quickly turn the machine off and on.

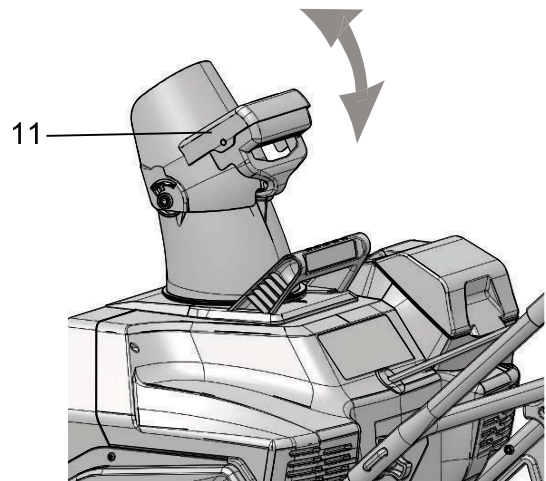
**▲ WARNING**

Remove the battery after you complete the work.

**8.4 ADJUST THE DISCHARGE CHUTE**

You can adjust the discharge chute 180° to change the snow direction.

1. Turn the grip handle (3) left to move the discharge chute (9) to the left.
2. Turn the grip handle (3) right to move the discharge chute (9) to the right.

**8.5 ADJUST THE CHUTE DEFLECTOR**

You can adjust the chute deflector up and down to change the throwing distance of the snow.

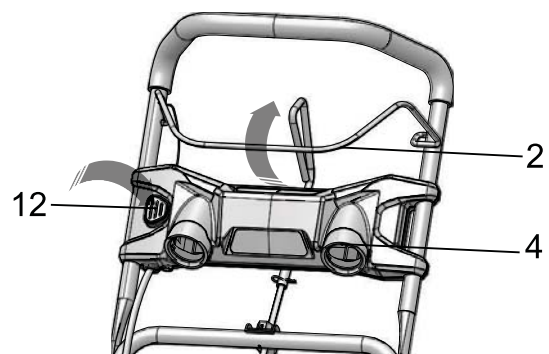
**▲ WARNING**

Release the bail switch before you adjust the chute deflector.

**▲ WARNING**

Do not push the deflector so far forward that a gap shows between the deflector and the chute.

1. Push and hold the trigger on the chute deflector (11).
2. Move the chute deflector (11) up to increase the snow distance.
3. Move the chute deflector (11) down to decrease the snow distance.

**8.6 LED HEADLIGHTS****Turning the headlights on :**

1. Push and hold the safety switch button (12).
2. Pull the bail lever (2) in the direction of the handle bar to turn the headlights (4) on.

**Turning the headlights off :**

3. Release the bail lever (2).



## 8.7 OPERATION TIPS

- If it is possible, clear the snow with the direction of the wind.
- In strong winds, lower the chute deflector to direct the snow to the ground.
- When you complete the work, let the machine operate for a while to prevent ice formation in the discharge chute.
- If the snow is deeper than 8", decrease the speed and let the machine work at its own rhythm.
- Do not use the scraper to remove compact snow and ice.

## 9 MAINTENANCE

### ▲ WARNING

Disconnect the extension cord before maintenance.

### ▲ CAUTION

Use only approved replacement parts.

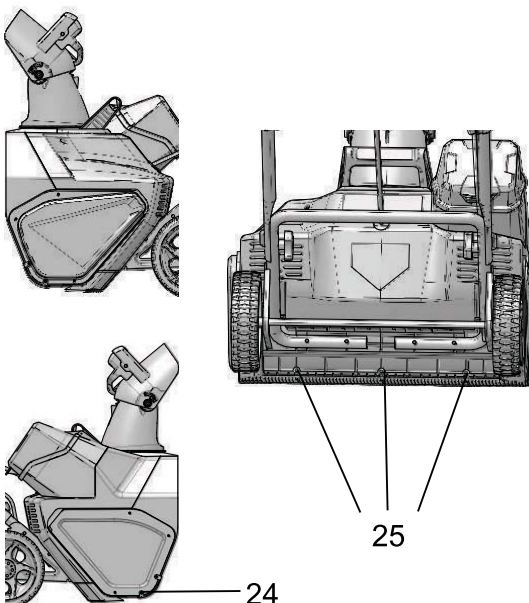
### ▲ CAUTION

Do not use strong solvents or detergents on the plastic housing or components.

### 9.1 GENERAL MAINTENANCE

- Before each use, examine the machine for damaged, missing, or loose parts such as screws, nuts, bolts and caps.
- Tighten correctly all the fasteners and caps.
- Clean the remaining snow on the machine with a brush.

### 9.2 REPLACE THE SCRAPER



### ▲ WARNING

Use only approved replacement scrapers.

### ▲ WARNING

Wear heavy gloves or wind cloth around the blade when you touch the blade.

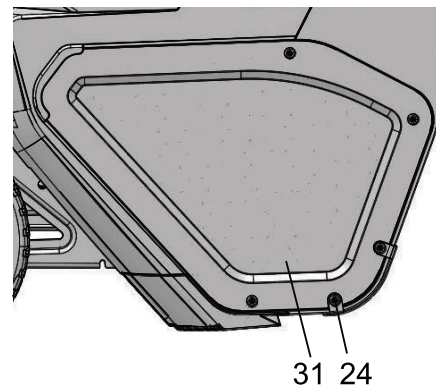
1. Remove the screws(24) from each side plate.
2. Remove the mounting screws (25) and spacers and discard the old scraper.
3. Install the new scraper.
4. Reinstall the mounting screws (25) and spacers and tighten them.

### 9.3 REPLACE THE IMPELLER

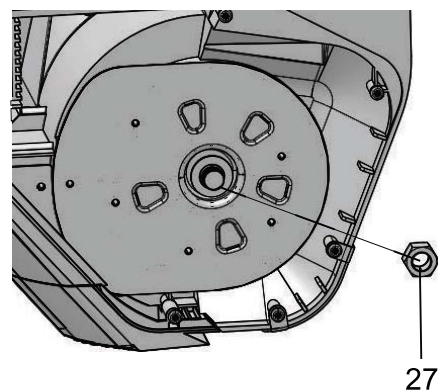
### ▲ WARNING

Use only approved replacement scrapers.

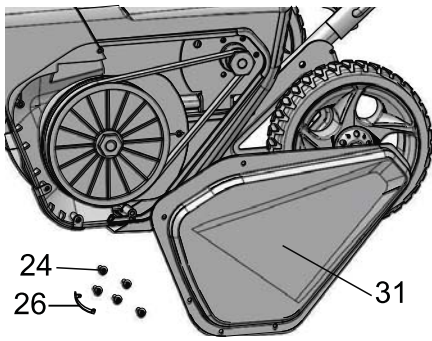
1. Remove the 5 screws (24) and side wear pad (26) that secure the right side cover (31).



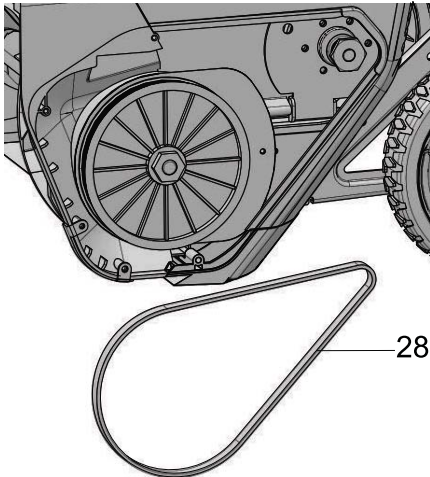
2. Remove the nut (27).



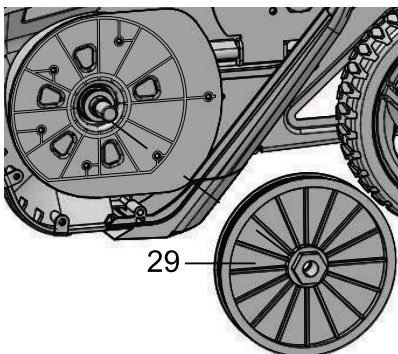
3. Remove the 5 screws (24) and side wear pad(26) that secure the left side cover (31).



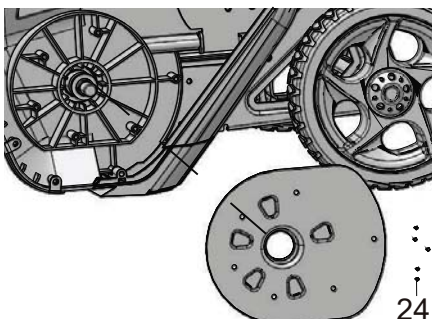
4. Remove the belt (28).



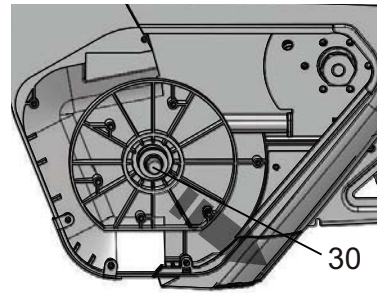
5. Using a socket wrench, remove the large pulley (29).



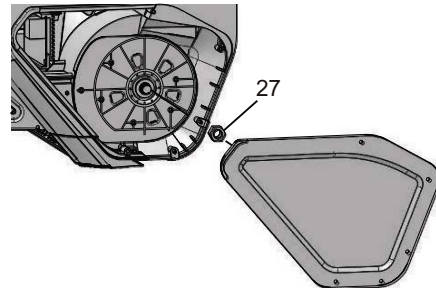
6. Remove the screws (24) that secure the left side plate.



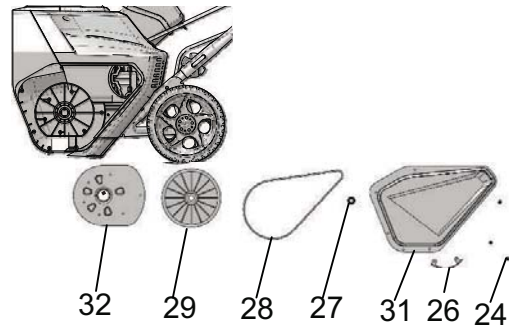
7. Pull the axle (30) and remove the old impeller, install the new impeller.



8. Reinstall the nut (27) and right side cover.



9. Reinstall the left side plate (32), large pulley (29), belt (28) and left side cover (31).



## 9.4 STORE THE MACHINE

- Clean the machine before storage.
- Make sure the motor is not hot when you store the machine.
- Make sure that the machine does not have loose or damaged parts. If it is necessary, do these steps/ instructions:
  - Replace the damaged parts.
  - Tighten the bolts.
  - Speak to a person at an approved service center.
- Store the machine in a dry area.
- Make sure that children cannot come near the machine.

## 10 TROUBLESHOOTING

Problem	Possible cause	Solution
The handle is not in position.	The bolts are not engaged correctly.	Adjust the height of the handle and make sure that the knobs and bolts are aligned correctly.

Problem	Possible cause	Solution
The machine does not start.	The battery is not charged.	Charge the battery by following the procedures in the battery and charger manual.
	The switch is defective.	Have the switch replaced by an authorized service center.
	Battery is too cold.	Remove battery from snow thrower. Place battery on charger and allow to charge for 10 minutes or until the changing light turns green. Remove from charger and install in snow thrower for use.
	Battery may require service or replacement.	Call toll free helpline, at 1-888-909-6757 or replace battery.
The engine is on, but the impeller does not turn.	The belt is damaged.	Replace the belt.
A thin layer of snow stays behind.	The scraper is damaged.	Replace the scraper.

\* If you cannot find the solution to these problems, call 1-888-909-6757.

## 11 TECHNICAL DATA

Voltage	40 V
No load speed	1900 RPM
Clearing width	20 in
Clearing depth	8 in
Impeller size	16 in
Weight (without battery pack)	34.2 lbs
Battery	29662 and other BAF series
Charger	29692 and other CAF series

## 12 LIMITED WARRANTY



Greenworks hereby warrants this product, to the original purchaser with proof of purchase, for a period of three (3) years against defects in materials, parts or workmanship. Greenworks, at its own discretion will repair or replace any and all parts found to be defective, through normal use, free of charge to the customer. This warranty is valid only for units which have been used for personal use that have not been hired or rented for industrial/commercial use, and that have been maintained in accordance with the instructions in the owners' manual supplied with the product from new.

### ITEMS NOT COVERED BY WARRANTY:

1. Any part that has become inoperative due to misuse, commercial use, abuse, neglect, accident, improper maintenance, or alteration; or
2. The unit, if it has not been operated and/or maintained in accordance with the owner's manual; or
3. Normal wear, except as noted below;
4. Routine maintenance items such as lubricants, blade sharpening;
5. Normal deterioration of the exterior finish due to use or exposure.

### HELPLINE:

Warranty service is available by calling our toll-free helpline, at 1-888-909-6757.

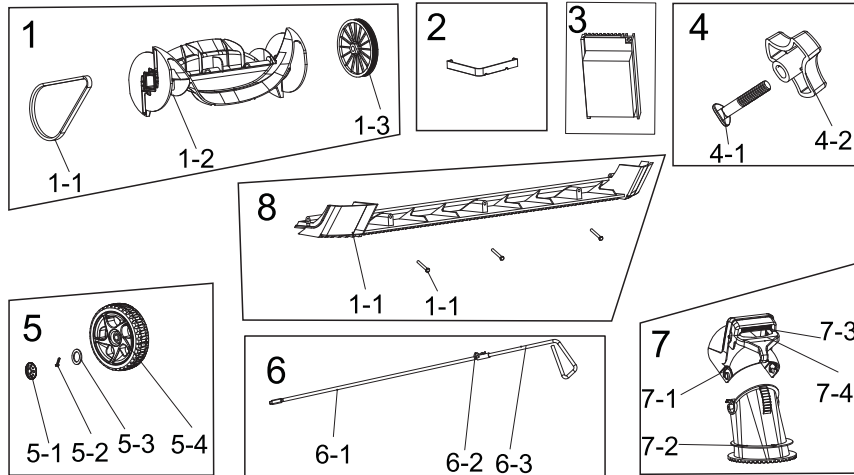
### TRANSPORTATION CHARGES:

Transportation charges for the movement of any power equipment unit or attachment are the responsibility of the purchaser. It is the purchaser's responsibility to pay transportation charges for any part submitted for replacement under this warranty unless such return is requested in writing by Greenworks.

### CANADIAN ADDRESS:

Greenworks Tools Canada Inc.  
1110 Stellar Drive Unit 102  
Newmarket, ON, L3Y 7B7

13 EXPLODED VIEW



No.	Part No.	Qty	Description
1	R0200281-00	1	Impeller assembly
2	R0200283-00	1	Weather bar
3	R0200285-00	1	PCB board
4	R0200284-00	1	Cam Lock Assembly
5	R0200165-00	1	Wheel Assembly
6	R0200166-00	1	Control Rod Assembly
7	R0200173-00	1	Chute Deflector Assembly
8	R0200282-00	1	Scraper Kit