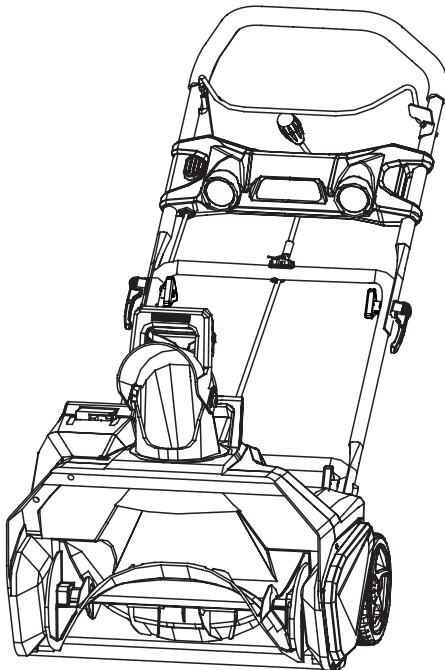


---

# greenworks

40V 20" Cordless Snow Thrower  
2600500



Owner's Manual

**TOLL-FREE HELPLINE: 1-888-90WORKS** (888.909.6757)

[www.GreenWorksTools.com](http://www.GreenWorksTools.com)

---

 Read all safety rules and instructions carefully before operating this tool.



# CONTENTS

---

Contents .....	2
Product specifications.....	2
Safety information.....	3-5
Symbols.....	6-7
Know your snow thrower.....	8
Assembly.....	9-14
Operation.....	15-18
Maintenance.....	19-22
Troubleshooting.....	23
Warranty.....	24
Exploded View / Parts List.....	25-28

## PRODUCT SPECIFICATIONS

---

### 40V 20" CORDLESS SNOW THROWER

Motor .....	40V brushless motor
Battery type.....	40V Lithium-ion
No-load speed.....	1,900 RPM
Clearing width.....	20" (50.8 cm)
Clearing depth.....	8" (20.3 cm)
Impeller size.....	16" (40.6 cm)
Weight (without battery) .....	33 lbs (14.9 kg)

**Cold Weather Operation:** Lithium Ion batteries can be safely used from temperatures ranging from -17 degrees to 45 degrees Celsius. NOTE: Do not store or charge battery outside. Battery must be charged and stored indoors prior to use of the snow thrower.

Battery may not properly start if it's temperatures is -17°C or lower. If unit does not start remove battery from snow thrower. Place battery on charger and allow to charge for 10 minutes to allow battery to warm. Remove from charger and install in Snow thrower for use.

# SAFETY INFORMATION

---

## FOLLOW THESE RULES WHILE OPERATING THE SNOW THROWER

---

### **IMPORTANT**

READ AND UNDERSTAND ALL INSTRUCTIONS. Failure to follow all instructions listed below may result in electric shock, fire, and/or serious personal injury.

---

- Walk. Do not run.
- Verify that the snow thrower is not in contact with anything before turning it on.
- Stay away from the discharge chute and impeller openings at all times. Keep face, hands, and feet away from concealed, moving, or rotating parts.
- Be attentive when using the snow thrower, and stay alert for holes in the terrain and other hidden hazards or traffic.
- Do not use the snow thrower on a gravel or crushed rock surface. Use extreme caution when crossing gravel/crushed rock drives, walks, or roads.
- Move up and down slopes when clearing snow. Do not go across a slope. Use caution when changing direction. Do not use this Snow Thrower to clear snow from steep slopes.
- Do not attempt to use the snow thrower on a roof or on any steeply inclined slippery surface.
- Do not operate the snow thrower if the guards, plates, and other safety protective devices are not in place.
- Do not operate the snow thrower near glass enclosures, automobiles, trucks, window wells, drop-offs, etc. without properly adjusting the angle of the snow discharge. Keep children and pets away from the work area.
- Do not force or overload the snow thrower. The snow thrower will perform better and safer when it is used at the rate that it was designed to work at.
- Do not operate the snow thrower at high speeds on slippery surfaces. Look behind when backing up and exercise caution.
- Do not direct the discharge toward anyone. Do not allow anyone to move in front of the snow thrower while it is in use.
- Wear safety glasses or goggles that meet ANSI Z87.1 standards.
- Use the snow thrower in daylight or in good artificial light. If using at night, turn on the LED lights and be aware of your surroundings.
- To avoid accidental start-ups, remain in the starting position when turning the snow thrower on. The operator and the Snow Thrower must be in a stable position during start-up. See the section titled Starting/Stopping Instructions.
- Use this snow thrower only for the purposes it was designed.
- Do not overreach. Always keep proper footing and balance.
- Hold the snow thrower with both hands while it is in use. Keep a firm grip on the handles.
- If the impeller does not rotate freely due to ice, thaw the snow thrower thoroughly before attempting to use it.
- Keep the impeller clear of debris.

# SAFETY INFORMATION

---

- Do not attempt to clear the impeller while the motor is running.
- Keep clothing and body parts away from the impeller.
- Stop the motor when stopped or when moving from one location to another.
- Remove the battery pack when it is being transported and when it is not in use.
- After striking a foreign object, turn the snow thrower off and remove the battery pack, and then inspect it for damage. Repair any damage before restarting and using the snow thrower.
- If the snow thrower starts to vibrate abnormally, stop the snow thrower immediately and attempt to determine the cause. Vibration is generally an indication of danger.
- Stop the motor and remove the battery pack whenever the operator is not in the operating position, before unclogging the impeller, and before making any repairs, adjustments, or inspections.
- Do not discharge snow onto public roads or near moving traffic.
- Allow the snow thrower to run for a few minutes after clearing snow in order to prevent moving parts from freezing.
- Only use identical replacement parts and accessories for this snow thrower. The use of nonidentical parts or accessories could lead to serious injury to the user or damage the snow thrower, and will void the warranty.
- Do not pick up the snow thrower while it is running. The snow thrower is designed to travel along the ground.
- Dress Properly – Do not wear loose clothing or jewelry. They can be caught in moving parts.
- Wear rubber boots when operating the snow thrower.
- Operation of the snow thrower in the hand-held position is unsafe, except in accordance with the special instructions for such use provided in the operator's manual.
- Store Idle Snow Throwers Indoors – When not in use, snow throwers should be stored indoors in dry, locked-up place – out of reach of children.

## GENERAL SAFETY RULES

- Verify that the snow thrower is secure while transporting.
- Store the snow thrower in a dry that will prevent unauthorized use or damage. Keep out of the reach of children.
- Keep handles dry, clean, and free of debris. Clean the snow thrower after each use. Refer to the Maintenance Section in the this manual for more information.
- If the labels on the snow thrower become defaced or start to lift off, contact the toll-free helpline, at 1-888-909-6757.
- Keep these instructions in a safe place for future reference. Refer to them often, and use them to instruct other users. Anyone who uses this snow thrower must read these instructions carefully.
- Maintain the snow thrower with care. Follow the instructions for lubricating and changing accessories.

# SAFETY INFORMATION

---

## CAUTION

USE ONLY GREENWORKS APPROVED REPLACEMENT BATTERIES, OTHER BATTERIES MAY CAUSE INJURY OR DAMAGE TO THE SNOW THROWER. USE ONLY WITH GREENWORKS 40V BATTERIES (Model#: 29662 AND OTHER BAF SERIES) AND GREENWORKS 40V CHARGER (Model#: 29692 AND OTHER CAF SERIES).

---

## CAUTION

It is recommended that the Greenworks 40V 4Ah battery (Model#:29662 and other BAF series) is used with this snow thrower. Using a lower capacity battery will cause the snow thrower to occasionally stop under heavy loads.

---

## WARNING (PROPOSITION 65)

Some dust created by power sanding, sawing, grinding, drilling and other construction activities contains chemicals known to the state of California to cause cancer, birth defects or other reproductive harm. Some examples of these chemicals are:

- Lead from lead-based paints,
- Crystalline silica from bricks and cement and other masonry products, and
- Arsenic and chromium from chemically-treated lumber.

Your risk from these exposures varies, depending on how often you do this type of work. To reduce your exposure to these chemical: work in a well ventilated area, and work with approved safety equipment, such as those dust masks that are specially designed to filter out microscopic particles.










---

**SAVE THESE INSTRUCTIONS**

---

# SYMBOLS




Some of the following symbols may be used on this product. Please study them and learn their meaning. Proper interpretation of these symbols will allow you to operate the product better and safer.

SYMBOL	DESIGNATION/EXPLANATION
V	Voltage
A	Current
Hz	Frequency (cycles per second)
Wh	Watt Hour - Energy Storage Capacity
Ah	Amp Hour - Current Capacity
DC	Direct current
⎓	Type or a characteristic of current
RPM	Revolutions per minute
/min	Revolutions, strokes, surface speed, orbits etc., per minute
	Indicates a potential personal injury hazard.
	To reduce the risk of injury user must read and understand operator's manual before using this product.
	Always wear safety glasses with side shields that are marked to comply with ANSI Z87.1.
	Stop the motor and remove the battery before leaving the machine.
	Thrown objects can ricochet and result in personal injury or property damage
	Danger – Keep hands and feet away from openings while the machine is running. Do not use hands to unclog chute. Stop motor and remove the battery before removing debris.
	Keep hands, feet away from the discharge area.
	Keep bystanders a safe distance from the machine.
	Stay away from moving parts. Keep all guards and shields in place.

# SYMBOLS

---

The following signal words and meanings are intended to explain the levels of risk associated with this product.

SYMBOL	SIGNAL	MEANING
	<b>DANGER</b>	Indicates an imminently hazardous situation, which, if not avoided, will result in death or serious injury.
	<b>WARNING</b>	Indicates a potentially hazardous situation, which, if not avoided, could result in death or serious injury.
	<b>CAUTION</b>	Indicates a potentially hazardous situation, which, if not avoided, may result in minor or moderate injury.
	<b>CAUTION</b>	(Without Safety Alert Symbol) Indicates a situation that may result in property damage.

## ENVIRONMENTAL PROTECTION



Waste electrical products should not be disposed of with household waste. Please recycle where facilities exist. Check with your local authority or retailer for recycling advice.

The battery contains material which is hazardous to you and the environment. It must be removed and disposed of separately at a facility that accepts lithium-ion batteries.

## SERVICE

Service requires extreme care and knowledge and should be performed only by a qualified service technician. For service we suggest you return the product to your nearest **AUTHORIZED SERVICE CENTER** for repair. When servicing, use only identical replacement parts.

---

### **WARNING**

To avoid serious personal injury, do not attempt to use this product until you have read this Owner's Manual thoroughly and understand it completely. If you do not understand the warnings and instructions in this Owner's Manual, do not use this product. Call the Toll-free Helpline (1-888-909-6757) for assistance.

---

---

### **WARNING**



The operation of any power tool can result in foreign objects being thrown into your eyes, which can result in severe eye damage. Before beginning power tool operation, always wear safety goggles or safety glasses with side shields and, when needed, a full face shield. We recommend Wide Vision Safety Mask for use over eyeglasses or standard safety glasses with side shields. Always use eye protection which is marked to comply with ANSI Z87.1.

---



# KNOW YOUR SNOW THROWER

Read this operator's manual and safety rules before operating your snow thrower. Compare the illustration in Figure 1 to your snow thrower in order to familiarize yourself with the location of various controls and adjustments. Save this manual for future reference.

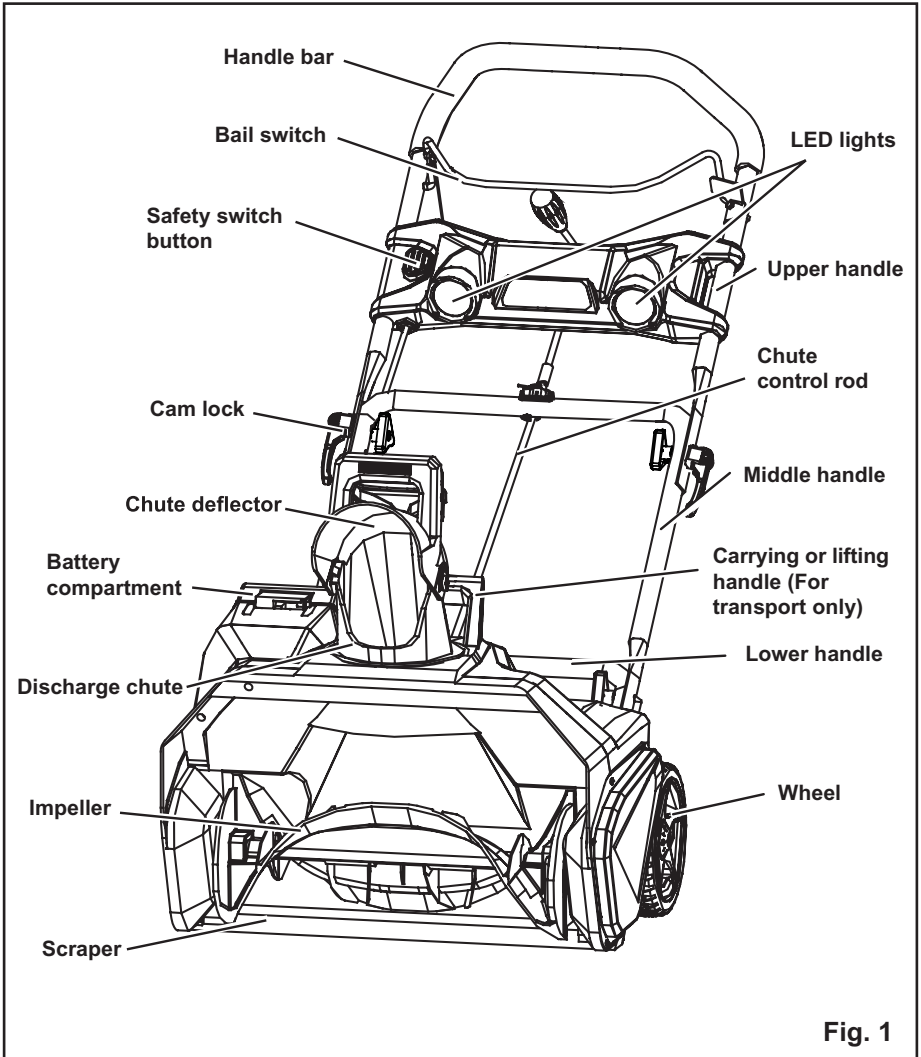


Fig. 1

# ASSEMBLY INSTRUCTIONS

---

## UNPACKING

- Carefully remove the product and any accessories from the box. Make sure that all items listed in the packing list are included.
- Inspect the product carefully to make sure no breakage or damage occurred during shipping.
- Do not discard the packing material until you have carefully inspected and satisfactorily operated the product.
- If any parts are damaged or missing, please call 1-888-909-6757 for assistance.

## PACKING LIST

- Snow thrower
- Upper chute control rod
- Lower chute control rod
- Middle handle assembly
- Chute deflector
- (2) Cam locks
- (2) Bolts
- (4) Handle knobs
- (1) Hitch pin
- Owner's Manual

---

### **W A R N I N G**

If any parts are damaged or missing, do not operate this product until the parts are replaced. Failure to heed this warning could result in serious personal injury.

---

---

### **W A R N I N G**

Do not install the battery until assembly is complete. Failure to comply could result in accidental starting and possible serious personal injury.

---

---

### **W A R N I N G**

Do not attempt to modify this product or create accessories not recommended for use with this product. Any such alteration or modification is misuse, and could result in a hazardous condition leading to possible serious personal injury.

---

# ASSEMBLY INSTRUCTIONS

## **⚠ WARNING**

Do not allow familiarity with this product to make you careless. Remember that a careless fraction of a second is sufficient to inflict serious injury.

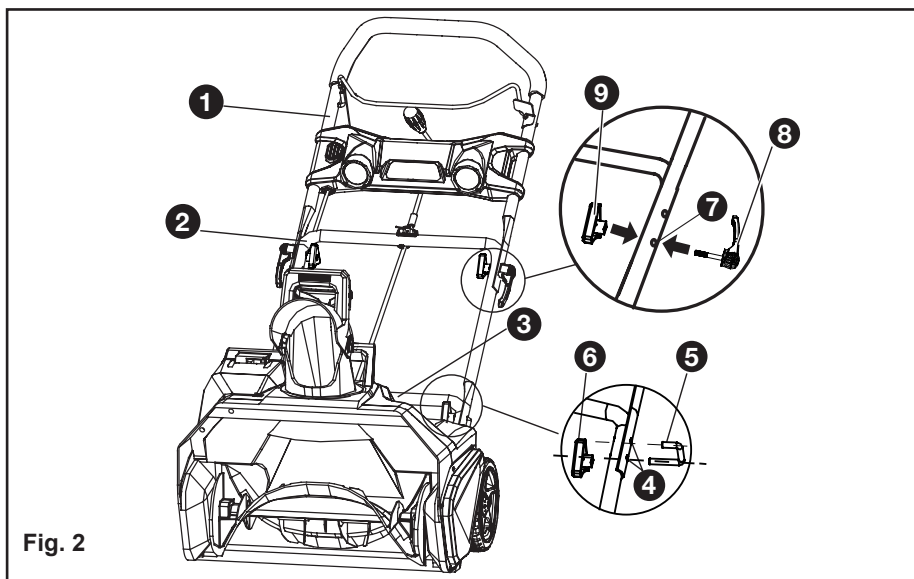
## **⚠ WARNING**

Do not use any attachments or accessories not recommended by the manufacturer of this product. The use of attachments or accessories not recommended can result in serious personal injury.

### **ASSEMBLING THE HANDLE (See Figure 2)**

- Align the holes (4) on the middle handle (2) and the lower handle (3). Insert the bolts (5), and use the handle knobs (6) to tighten them.
- Align the hole (7) on the middle handle (2) and the upper handle (1). Insert the cam locks (8) and tighten them with the handle knobs (9) provided. Once tightened, close the cam locks to secure them in place.

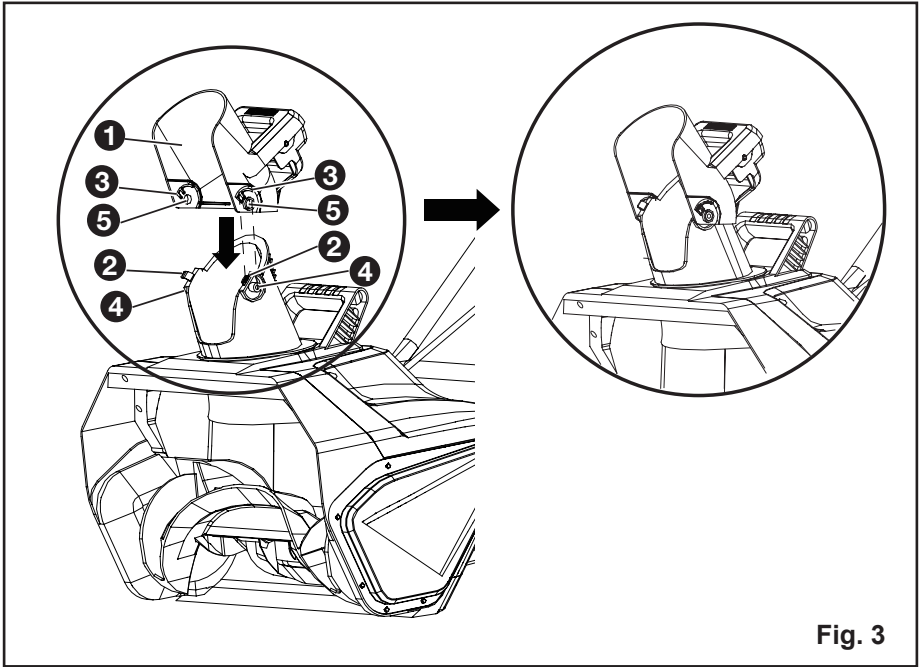
*NOTE: If the upper handle is loose or separated from the middle handle, tighten the cam lock handle knobs by turning them clockwise. Do not overtighten the handle knobs.*



# ASSEMBLY INSTRUCTIONS

## ASSEMBLING THE DISCHARGE CHUTE (See Figure 3)

Push the chute deflector (1) until the latching tabs (2) on either side click into the slots (3) and the posts (4) on either side click into the keyed holes (5).



# ASSEMBLY INSTRUCTIONS

## INSTALLING THE CHUTE CONTROL ROD (See Figure 4)

- Position the discharge chute (1) so that it faces forward.

*NOTE: Align the arrow (2) on the discharge chute with the arrow on the housing. (Fig. 4.1)*

- Align the holes (3) on the upper chute control rod (4) with the holes on the lower chute control rod (5). Insert the hitch pin (6). Insert the end of the chute control rod (7) through the keyed hole (8) in the bracket that is attached to the top of the middle handle. (Fig.4.2)
- Ensure that the handle (9) of the chute control rod points upward, and insert the rod into the keyed hole (10) in the back of the housing. (Fig.4.3)
- Firmly push the rod into the keyed hole in the back of the housing until it snaps into place.

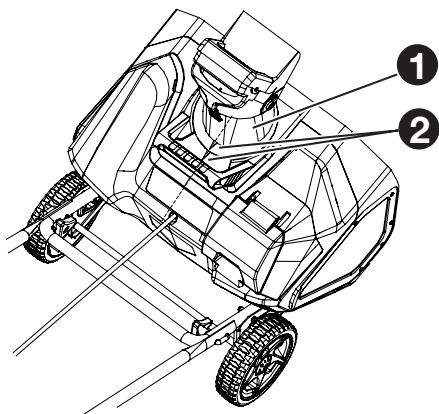


Fig. 4.1

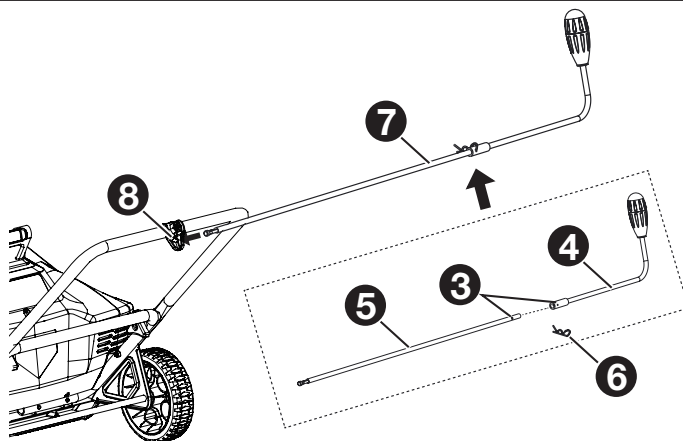
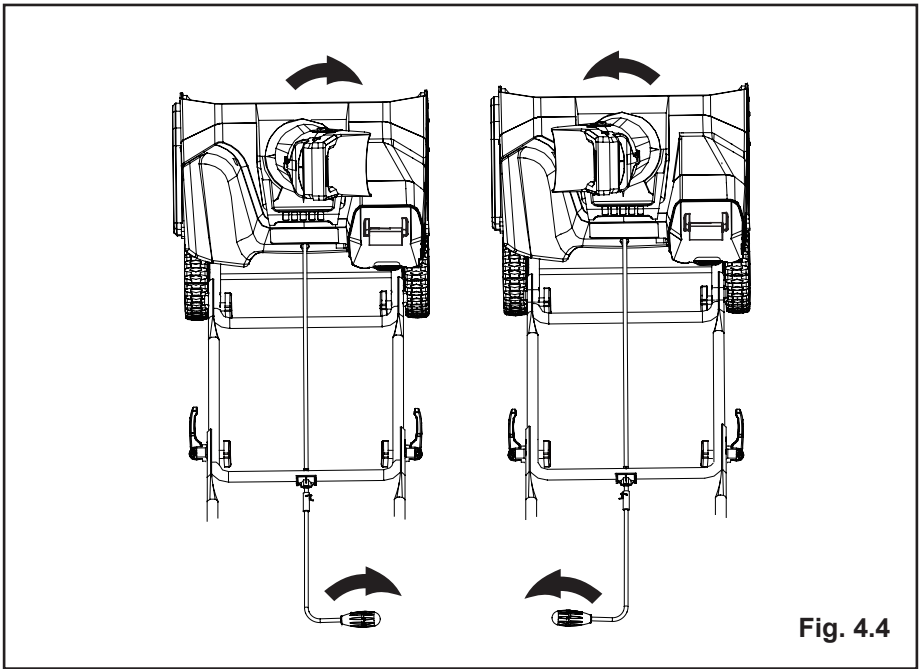
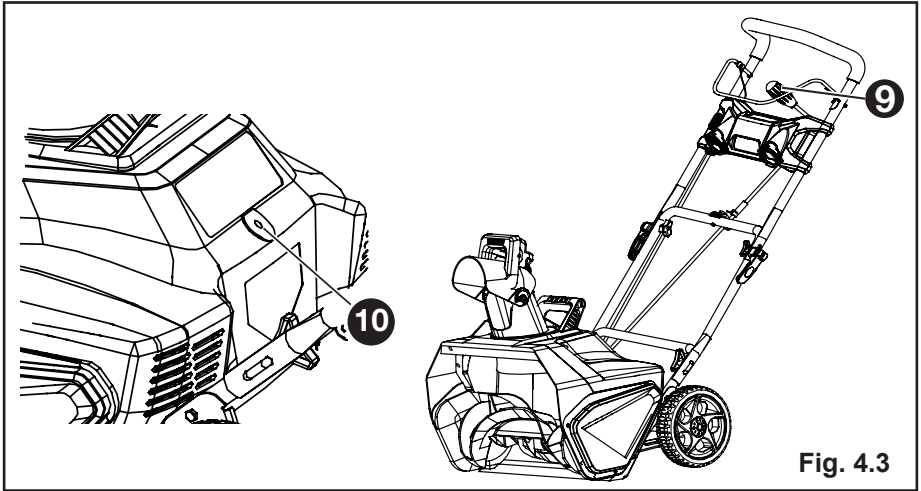


Fig. 4.2

# ASSEMBLY INSTRUCTIONS

- Rotate the handle on the chute control rod to ensure that it moves in the same direction as the chute. (Fig.4.4)



# ASSEMBLY INSTRUCTIONS

---

## TO INSTALL BATTERY PACK (See Figure 5)

- Open the battery compartment cover (1).
- Slide the battery (2) down to lock it into position. The battery is fully inserted into the snow thrower when you hear an audible “click”.
- Close the battery compartment cover (1).

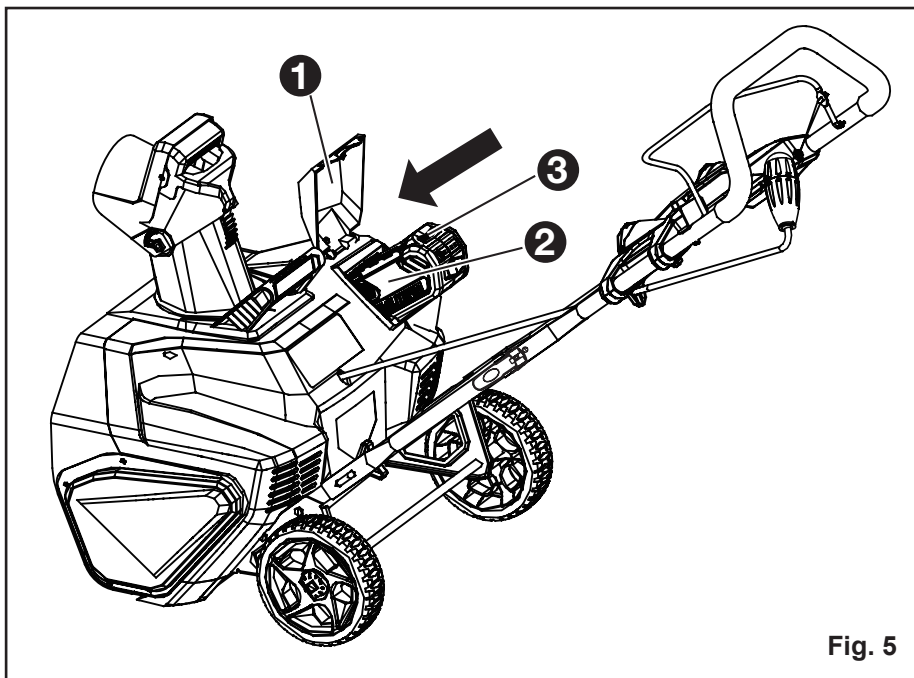


Fig. 5

## TO REMOVE BATTERY PACK (See Figure 5)

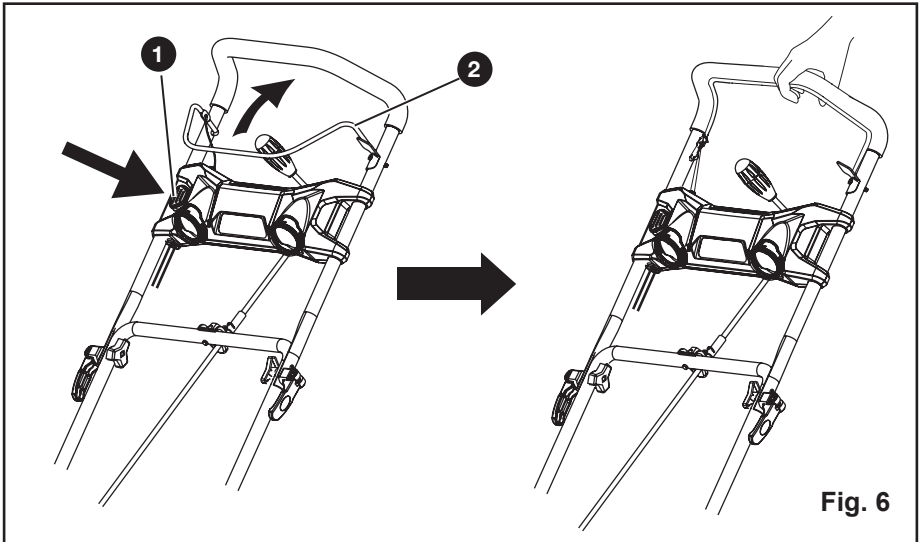
- Release your grip on the ON/OFF switch bar lever to stop the snow thrower.
- Press and hold the battery latch button (3) at the bottom of the battery pack.
- Remove battery pack from the snow thrower.

# OPERATING INSTRUCTIONS

---

## POWERING ON AND OFF (See Figure 6)

- To power on, first press the safety switch button (1).
- While pressing the safety switch button with one hand, use your other hand to simultaneously pull the bail switch (2) toward you. Once the machine powers on, release the safety switch button and proceed with operation. The snow thrower can only be started by pressing the safety switch button first, followed by squeezing the bail switch; reverse operation will not start the machine.
- To power off, release your grip on the bail switch.



---

### **CAUTION**

Do not attempt to override the operation of the safety switch button or bar lever.

---

### **WARNING**

The operation of any snow thrower can result in foreign objects being thrown into the eyes, which can cause severe eye damage. Always wear safety glasses while operating the snow thrower and while performing any adjustments or repairs.

---

### **WARNING**

Keep bystanders a safe distance from the machine.

---

**INSPECT THE CLEARING AREA.** Remove all stones, sticks, wire, bones, and other debris that might be thrown by the rotating impeller.

---



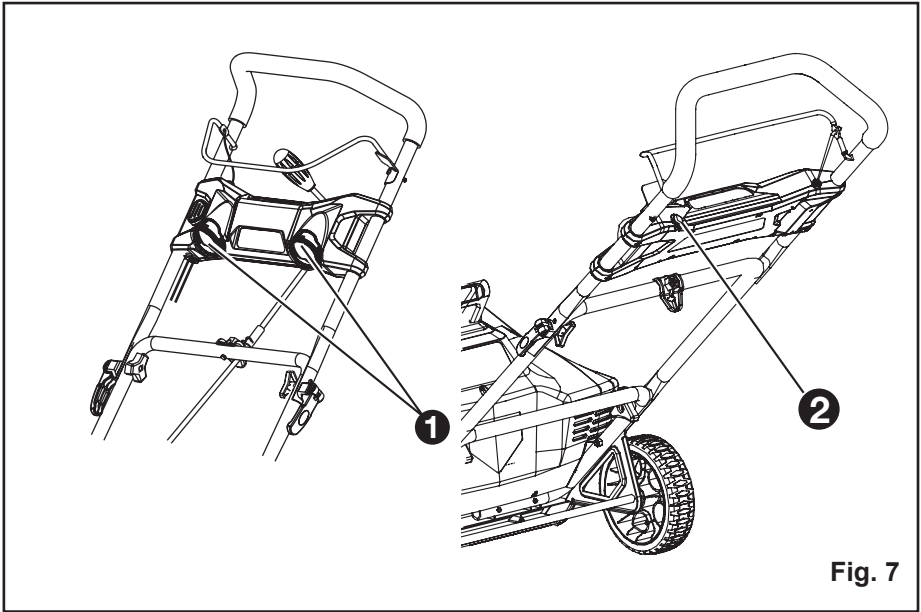
# OPERATING INSTRUCTIONS

---

## UTILIZING THE LED LIGHTS (See Figure 7)

- To utilize the LED lights (1) for night time snow removal, activate the LED light switch (2).

*NOTE: After you have finished using your snow thrower, remember to turn off the light switch.*

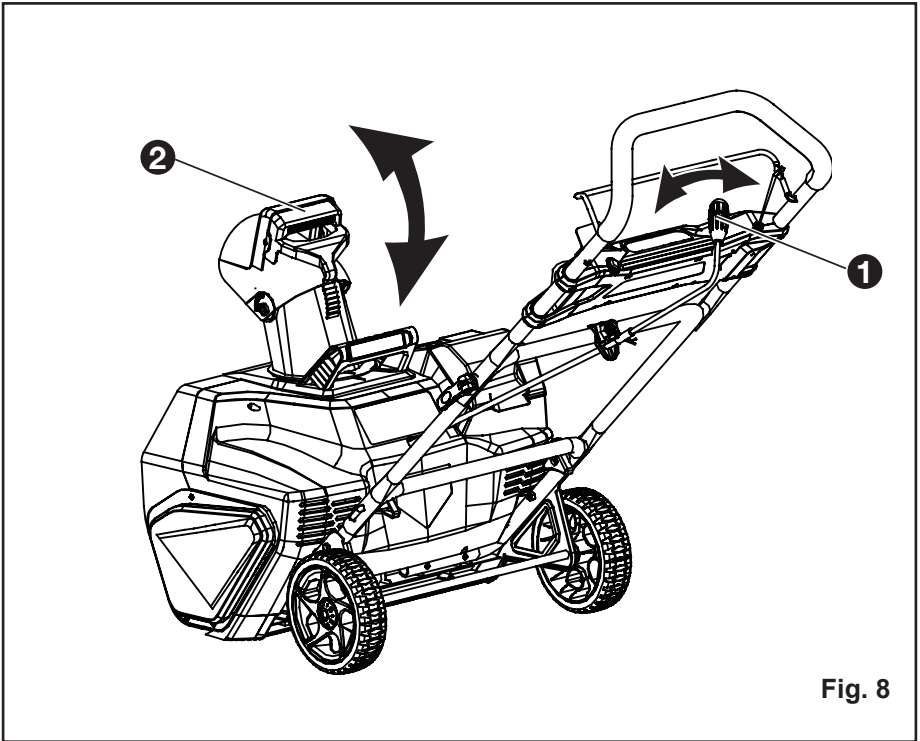


# OPERATING INSTRUCTIONS

---

## ADJUSTING THE DISCHARGE CHUTE AND CHUTE DEFLECTOR (See Figure 8)

- To adjust the discharge chute, rotate the handle (1) on the chute control rod in the direction that you wish to direct the snow stream.
- To adjust the chute deflector (and therefore the height of the snow stream), squeeze the trigger (2) and raise or lower the chute deflector.



# OPERATING INSTRUCTIONS

---

## OPERATING TIPS

---

### **WARNING**

If the Snow Thrower hits a foreign object while it is in use, the object could be thrown in the direction of the operator or a bystander. Thrown objects could cause serious personal injury. Keep the area to be cleared free of all foreign objects that may be picked up and thrown by the impeller.

---

- Keep the area of operation free of foreign objects that can become thrown by the impeller. Perform a thorough inspection of the area since some objects may be hidden from view by surrounding snow. If the snow thrower hits an obstruction or picks up a foreign object during use, stop the snow thrower, remove the battery, remove the obstruction, and inspect the unit for damage. Repair or replace any damaged part before restarting and operating the unit.
- Keep children, pets, and bystanders away from the area of operation. Be aware that the normal noise of the machine when turned on may make it difficult for you to hear approaching people.
- When moving the snow thrower, use the wheels on one side as the pivot point. Slightly tilt the snow thrower on this pivot point to move it forward or backward.
- Start your clearing path outward, throwing snow in a back and forth motion. To clear in the opposite direction, pivot the snow thrower on its wheels. Make sure to overlap clearing paths.
- Note the wind direction. If possible, move in the same direction as the wind so that the snow is not thrown against the wind (and thus back onto you and on the just cleared path).
- Do not push the snow thrower with excessive force. You should push the machine gently and at a consistent speed in accordance with the unit's throw rate.
- Some parts of the snow thrower may freeze under extreme temperature conditions. Do not attempt to operate the snow thrower with frozen parts. If the parts freeze while the snow thrower is in use, stop the snow thrower, remove the battery, and inspect for frozen parts. Free all parts before restarting or operating the snow thrower. Never force controls that have frozen.
- When working on pebbles, gravel, or unpaved surfaces, avoid throwing loose surface material along with the snow by pushing down on the handle to raise the scraper at the base of the unit above the pebbles or gravel.
- Cold Weather Operation: Lithium Ion batteries can be safely used from temperatures ranging from -17 degrees to 45 degrees Celsius. NOTE: Do not store or charge battery outside. Battery must be charged and stored indoors prior to use of the snow thrower.
- If the Snow thrower does not start initially remove battery from snow thrower. Place battery on charger and allow to charge for 10 minutes. Remove from charger and install in Snowthrower for use. The start-up issue may be caused from the battery being too cold. To avoid this issue, ensure battery is stored in a dry cool place for storage and charging and leave indoors until ready for use.

# MAINTENANCE

---

## SERVICING

Servicing should be performed by a qualified technician. Replacement parts for this Snow Thrower must be identical to the parts that they replace. If repairs are necessary, contact the Toll-Free Helpline, at 1-888-909-6757.

---

*Note: Identify the left and right sides of the Snow Thrower when standing in the normal operating position.*

---

## WARNING

If the battery pack is installing into the snow thrower, the snow thrower could start accidentally while the operator is performing maintenance on it, which could cause serious personal injury. Remove the battery pack before performing any maintenance.

---

## STORAGE

- Run the snow thrower for a few minutes in order to melt any snow that may be left on the snow thrower.
- Wipe the snow thrower off with a dry cloth before storage. This will help prevent ice building up on the unit and parts freezing.
- Remove the battery and store it in a cool dry location, if possible. Charge the battery every six months when not in use in order to increase its life.
- Inspect the snow thrower thoroughly for worn, loose, or damaged parts. If any parts must be repaired or replaced, contact the Toll-Free Helpline, at 1-888-909-6757.
- Store the snow thrower in a clean, dry place. Cover it in order to provide added protection.
- Always store battery and charger indoors. Store battery in temperatures from -10 to 43 degrees Celsius.

# MAINTENANCE

## REPLACING THE SCRAPER (See Figure 9)

The scraper is located at the bottom of the impeller housing.

- Ensure that the battery is not installed in the tool.
- Remove the screw (1) from each side plate that holds the scraper and 3 screws (2) from under the machine that secure the scraper to the machine.
- Remove and discard the old scraper.
- Install the new scraper, and fasten it securely with the 5 screws that you previously removed.

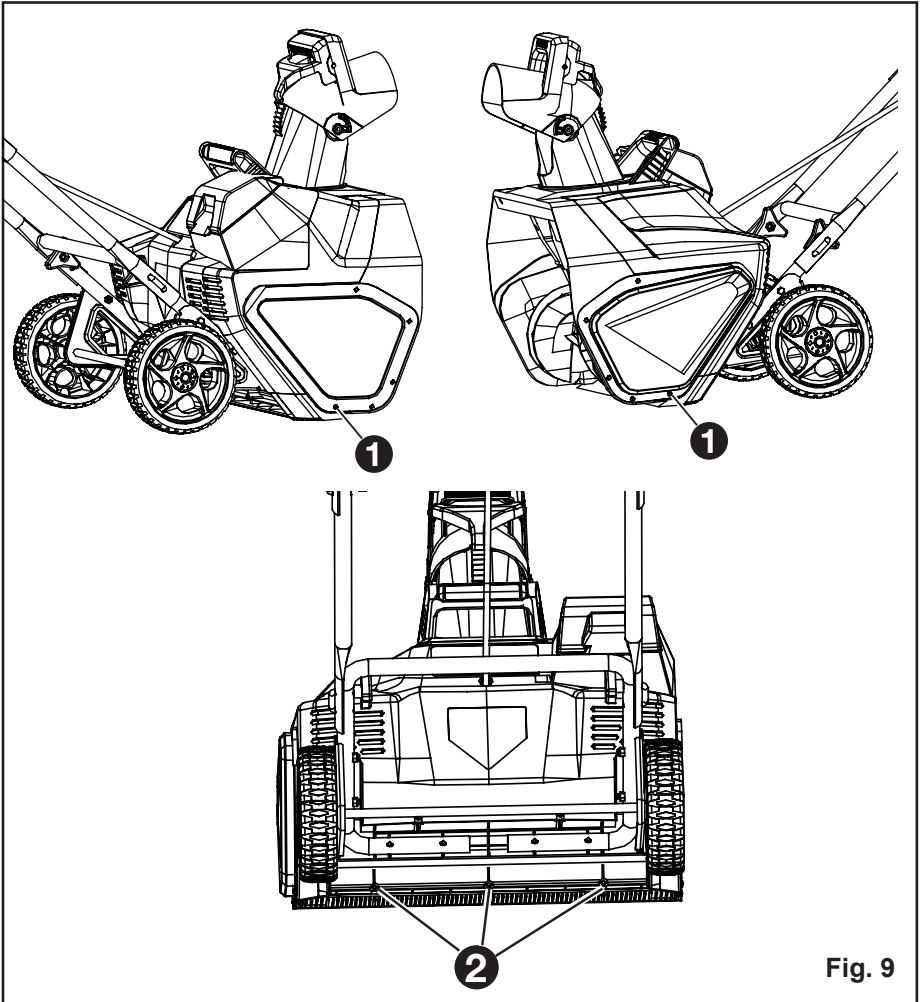


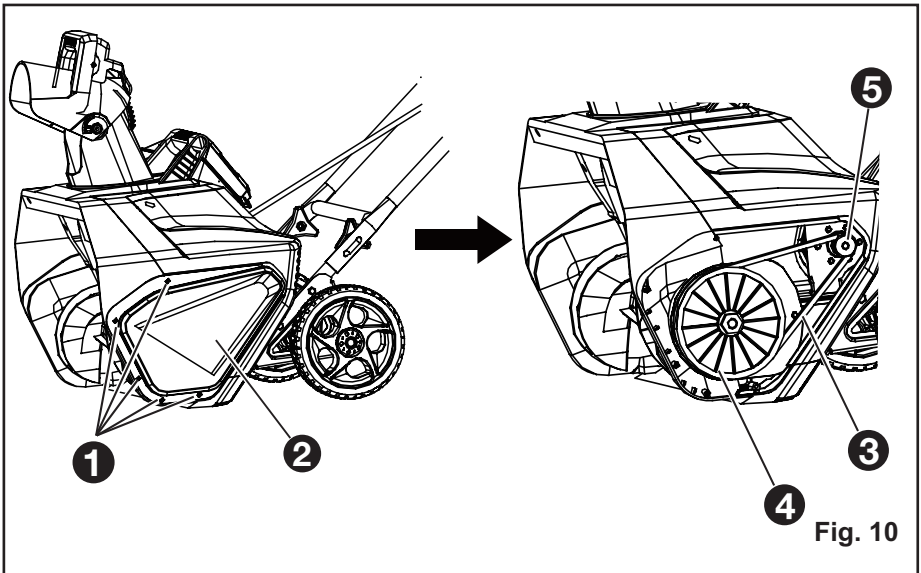
Fig. 9

# MAINTENANCE

---

## REPLACING THE DRIVE BELT (See Figures 10)

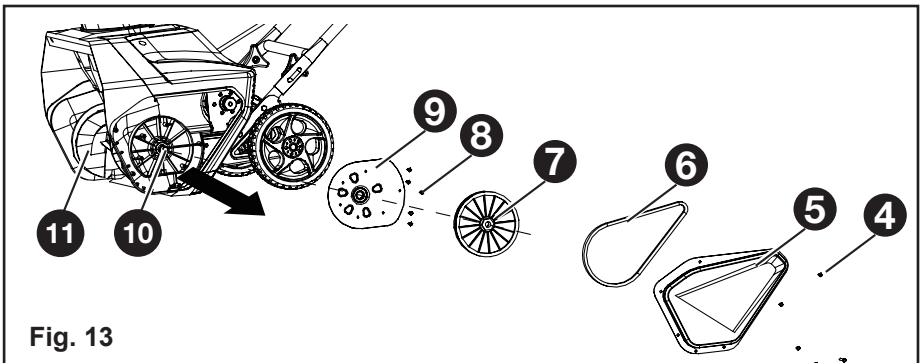
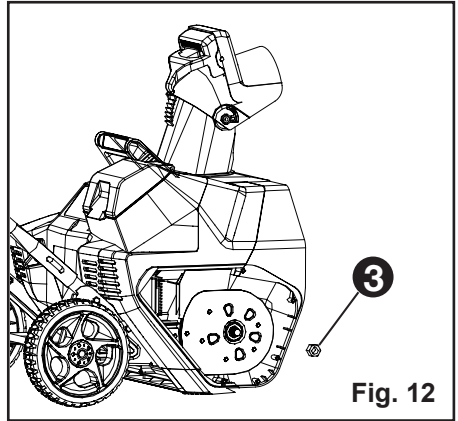
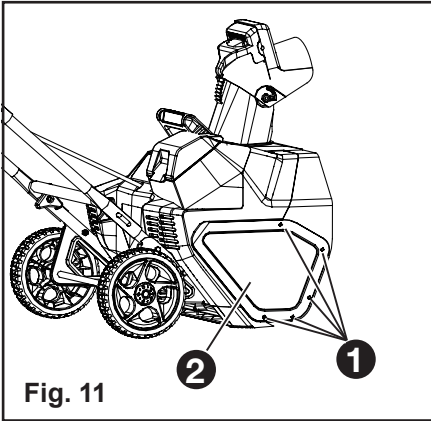
- Ensure that the battery is not installed in the tool.
- Remove the 5 screws (1) that secure the left side plate (2) to the frame of the snow thrower. Remove the side cover.
- Remove the old belt (3) from the small pulley (5) and large pulley (4).
- Rotate the impeller with the left hand while positioning the belt on the large pulley with the right hand.
- Install the left side cover, and secure it using the 5 screws that you previously removed.



# MAINTENANCE

## REPLACING THE IMPELLER (See Figures 11-13)

- Remove the 5 screws (1) that secure the right side cover (2) to the frame of the snow thrower.
- Remove the nut (3).
- Remove the 5 screws (4) that secure the left side cover (5) to the frame of the snow thrower.
- Remove the belt (6).
- Using a socket wrench, remove the the large pulley (7).
- Remove the 5 screws (8) that secure the left side plate (9) and remove the left side plate.
- Pull the axle (10) and remove the old impeller (11).
- Install the new impeller.
- Reinstall the left side plate, large pulley, belt and left side cover.
- Reinstall the nut and right side cover.



# TROUBLESHOOTING

---

<b>PROBLEM</b>	<b>POSSIBLE CAUSE</b>	<b>SOLUTION</b>
Then handle is not in position.	The bolts are not properly seated.	Make sure the bolts are correctly installed through the handle bars. Check to see if the hand knobs are tight. Refer to Assembling the Handle section in this manual.
The snow thrower doesn't start.	The battery is not charged.	Charge the battery by following the procedures in the battery and charger manual.
	The switch is defective.	Have the switch replaced by an authorized service center.
	Battery is too cold.	Remove battery from snow thrower. Place battery on charger and allow to charge for 10 minutes. Remove from charger and install in Snow thrower for use.
	The battery is not attached to the motor.	Check the connection between the motor connector and the battery.
Battery may require service or replacement.	Call toll free helpline, at 1-888-909-6757 or replace battery.	
The motor is on, but the impeller does not turn.	The belt is damaged.	Replace the belt (see the section entitled Inspecting/Replacing the Drive Belt).
The snow thrower leaves a thin layer of snow behind.	The scraper is worn.	Inspect the scraper for wear or damage. Replace the scraper(see the section entitled Replacing the Scraper).



# WARRANTY

---

# greenworks



**GREENWORKS** hereby warrants this product, to the original purchaser with proof of purchase, for a period of three (3) years against defects in materials, parts or workmanship.

**GREENWORKS**, at its own discretion will repair or replace any and all parts found to be defective, through normal use, free of charge to the customer. This warranty is valid only for units which have been used for personal use that have not been hired or rented for industrial/commercial use, and that have been maintained in accordance with the instructions in the owners' manual supplied with the product from new.

#### **ITEMS NOT COVERED BY WARRANTY:**

1. Any part that has become inoperative due to misuse, commercial use, abuse, neglect, accident, improper maintenance, or alteration; or
2. The unit, if it has not been operated and/or maintained in accordance with the owner's manual; or
3. Normal wear, except as noted below;
4. Routine maintenance items such as draining the water to avoid freezing/ice damage to pump and components.
5. Normal deterioration of the exterior finish due to use or exposure.

#### **GREENWORKS HELPLINE (1-888-90WORKS):**

Warranty service is available by calling our toll-free helpline, 9am to 5pm EST. at 1-888-909-6757 (1-888-90WORKS).

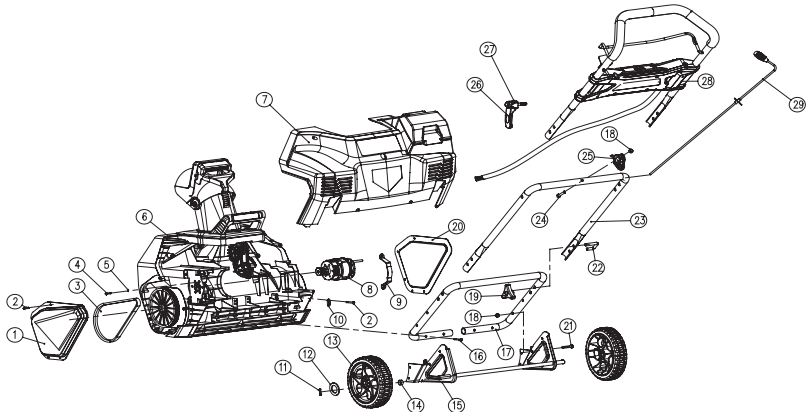
#### **TRANSPORTATION CHARGES:**

Transportation charges for the movement of any power equipment unit or attachment are the responsibility of the purchaser. It is the purchaser's responsibility to pay transportation charges for any part submitted for replacement under this warranty unless such return is requested in writing by **GREENWORKS**.

#### **Canadian address:**

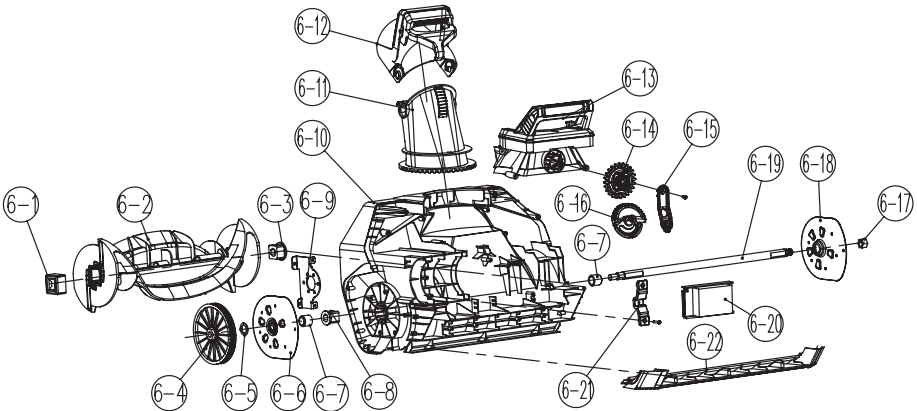
Greenworks Tools Canada Inc.  
P.O.Box 93095, Newmarket, Ontario  
L3Y 8K3

# EXPLODED VIEW / PARTS LIST



ITEM NO.	PART NO.	DESCRIPTION	QTY
1	332041205	Left side cover	1
2	32205877	Screw	20
3	329151205	Belt	1
4	32206575	Screw M5x8	4
5	3290250	Washer	4
6	311011208	Front cover assembly	1
7	311021208	Rear cover assembly	1
8	361011201A	Motor	1
9	332031205	Motor clamp	1
10	3410801	Wire clamp	1
11	3290135	Split pin	2
12	3220898	Washer	2
13	311031205	7" wheel assembly	2
14	332151205	Rubber sleeve	2
15	332021205	Wheel bracket assembly	1
16	32201699	Screw	4
17	333031205	Lower handle	1
18	32222301A	Nut M6	5
19	3410835-4	Knob	4
20	332051205	Right side cover	1
21	32204234	Bolt M6x35	4
22	333041205	U bolt	4
23	333021205	Middle handle	1
24	32226121	Screw	1
25	341131205-1	Bracket for the chute control rod	1
26	31102467	Cam lock assembly	2
27	34103466-1	Cam lock block	2
28	311031208	Handle bar assembly	1
29	311041208	Chute control rod assembly	1

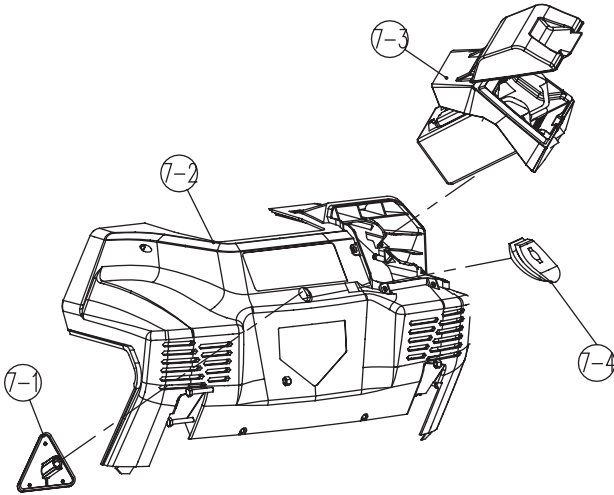
# EXPLODED VIEW / PARTS LIST



ITEM NO.	PART NO.	DESCRIPTION	QTY
6	311011208	Front cover assembly	1
6-1	332061205	Link block	1
6-2	341171205-1	Impeller	1
6-3	339011205	Right driving block	1
6-4	34109100-12	Drive wheel	1
6-5	32217100	Washer	1
6-6	311111205	Left side plate	1
6-7	332111205	Bushing	2
6-8	339021205	Left driving block	1
6-9	332011205	Motor fixed plate	1
6-10	341011205-1	Front cover	1
6-11	341031205	Discharge chute	1
6-12	31121205	Chute deflector	1
6-13	341061205	Discharge chute base	1
6-14	341071205	Small gear	1
6-15	341091205	Gear seat	1
6-16	341081205	Big gear	1
6-17	32902250A	Nut M12	1
6-18	311131205	Right side plate	1
6-19	332121205	Axle for the impeller	1
6-20	362021207T	PCB board	1
6-21	341101205	Motor support	1
6-22	341111205	Scraper	1

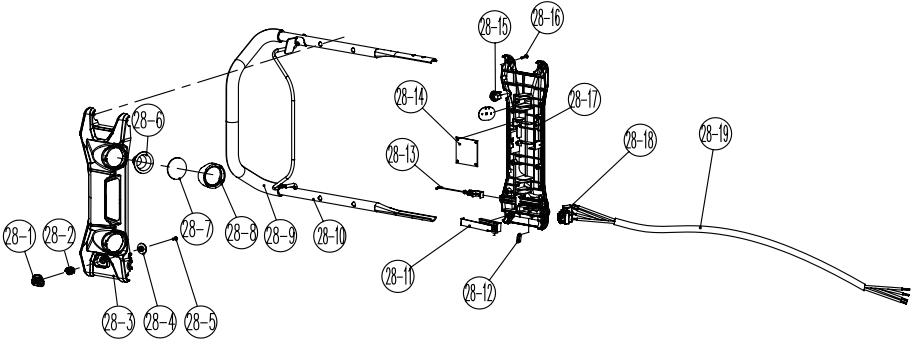
# EXPLODED VIEW / PARTS LIST

---



ITEM NO.	PART NO.	DESCRIPTION	QTY
7	311021208	Rear cover assembly	1
7-1	341121205	Connecting base	1
7-2	341021205	Rear cover	1
7-3	311051208	Battery compartment assembly	1
7-4	342011205	Rubber bushing	1

# EXPLODED VIEW / PARTS LIST



ITEM NO.	PART NO.	DESCRIPTION	QTY
28	311031208	Handle bar assembly	1
28-1	34136486-2	Safety switch button	1
28-2	33401229A	Spring	1
28-3	341141205	Faceplate	1
28-4	341201205	Switch pressure head	1
28-5	3220735N	Screw	1
28-6	333011108	Parabolic reflector	2
28-7	341051108	Lamp screen	2
28-8	341061108-3	Light head housing	2
28-9	341011171	Soft grip sponge	1
28-10	333011205	Upper handle	1
28-11	311081205	Slider block assembly	1
28-12	3410801	Wire clamp	2
28-13	311091205	Start cable assembly	1
28-14	362011207	Circuit board	1
28-15	363051205	LED light switch	1
28-16	32205877	Screw	10
28-17	341151205	Lower cover	1
28-18	3630299	Switch	1
28-19	311101208	Cord assembly	1

**greenworks**

**TOLL-FREE HELPLINE: 1-888-90WORKS (888.909.6757)**