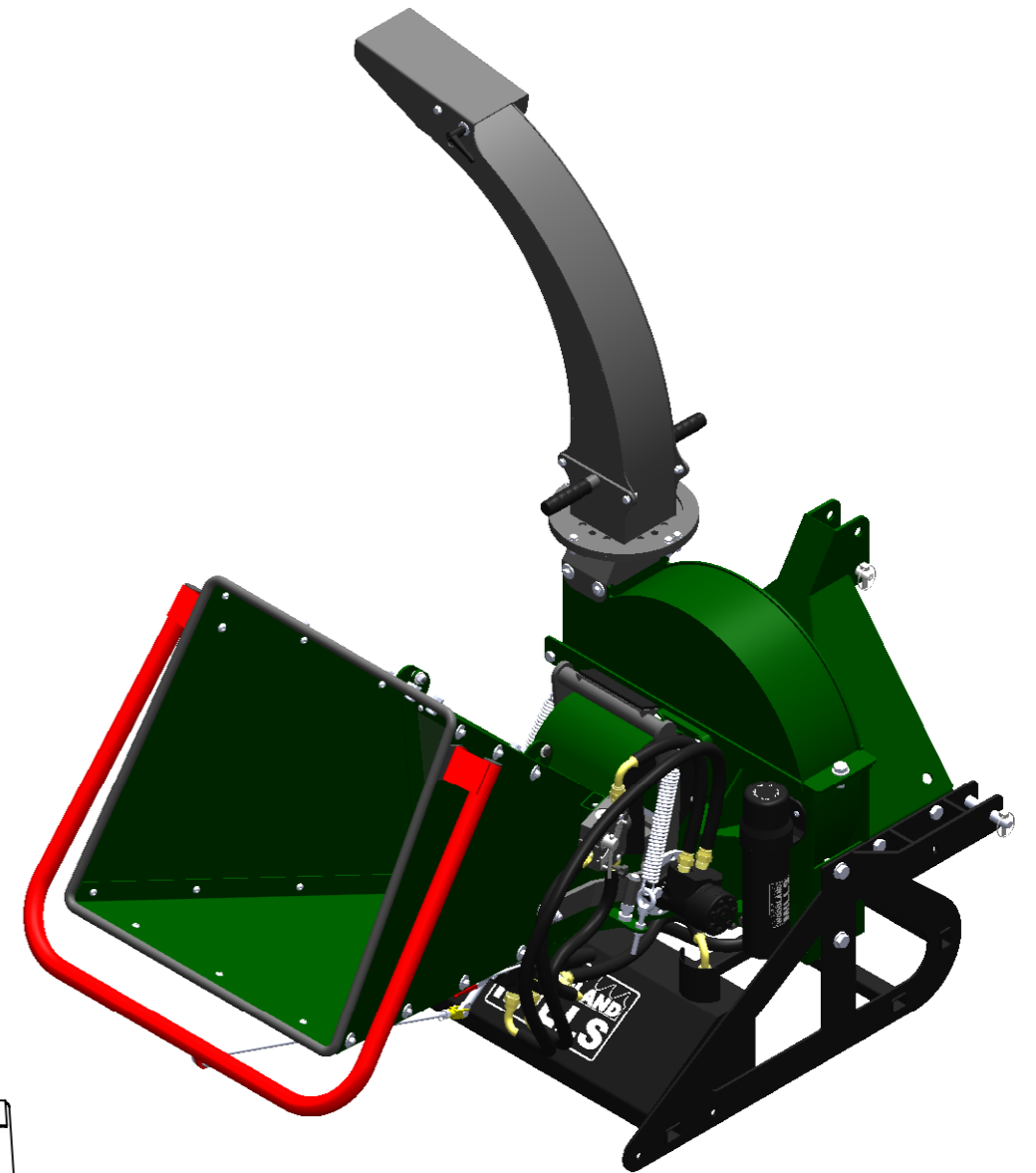
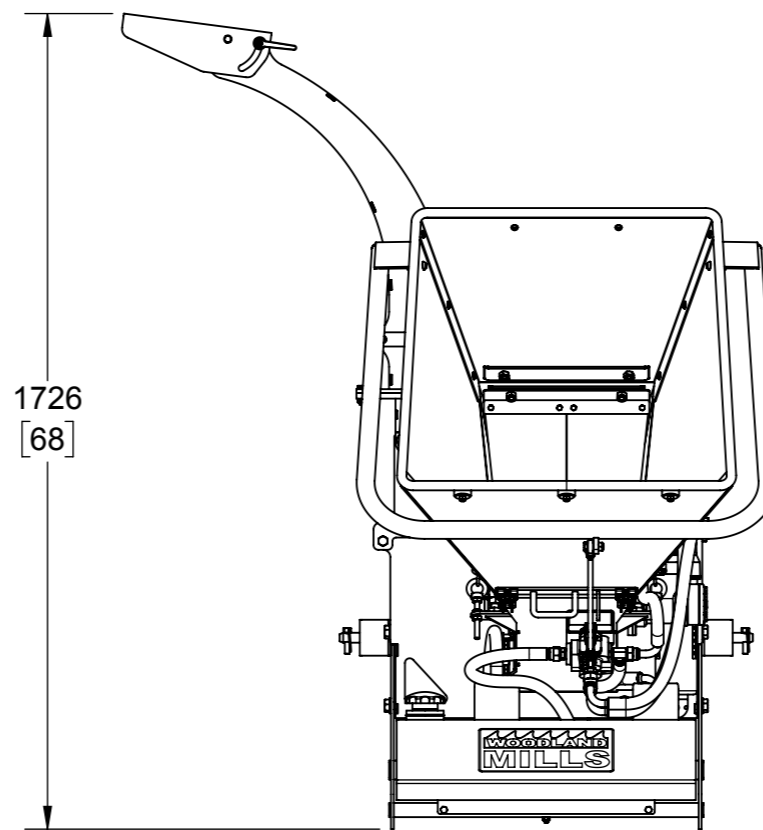
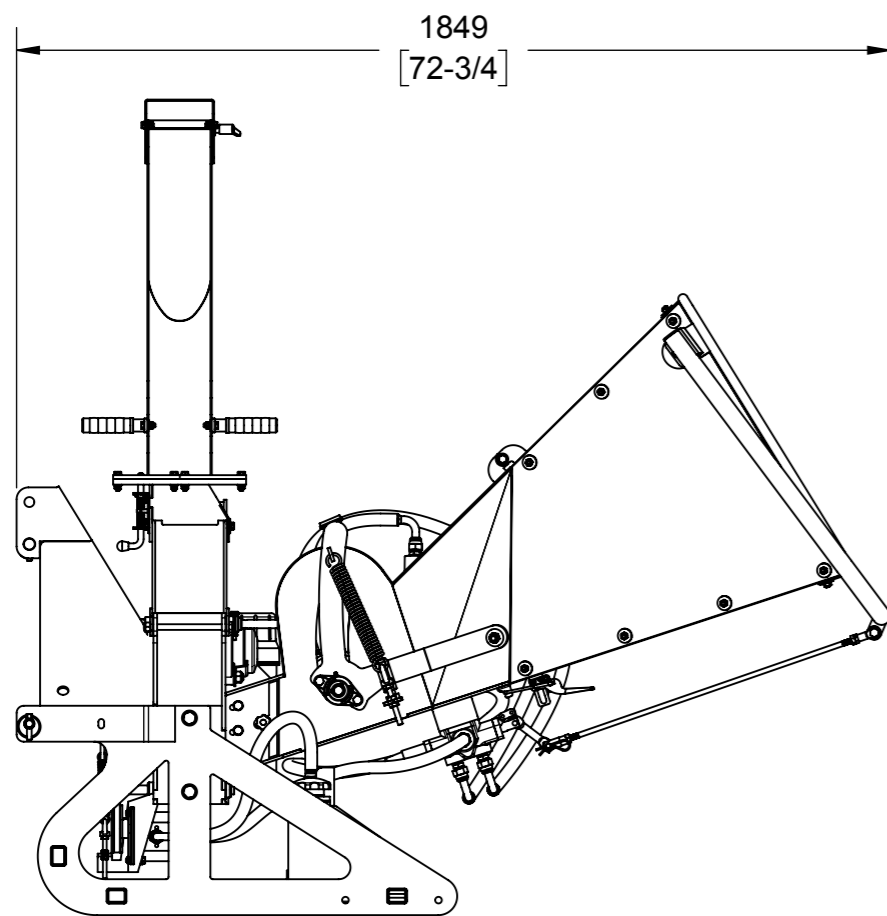
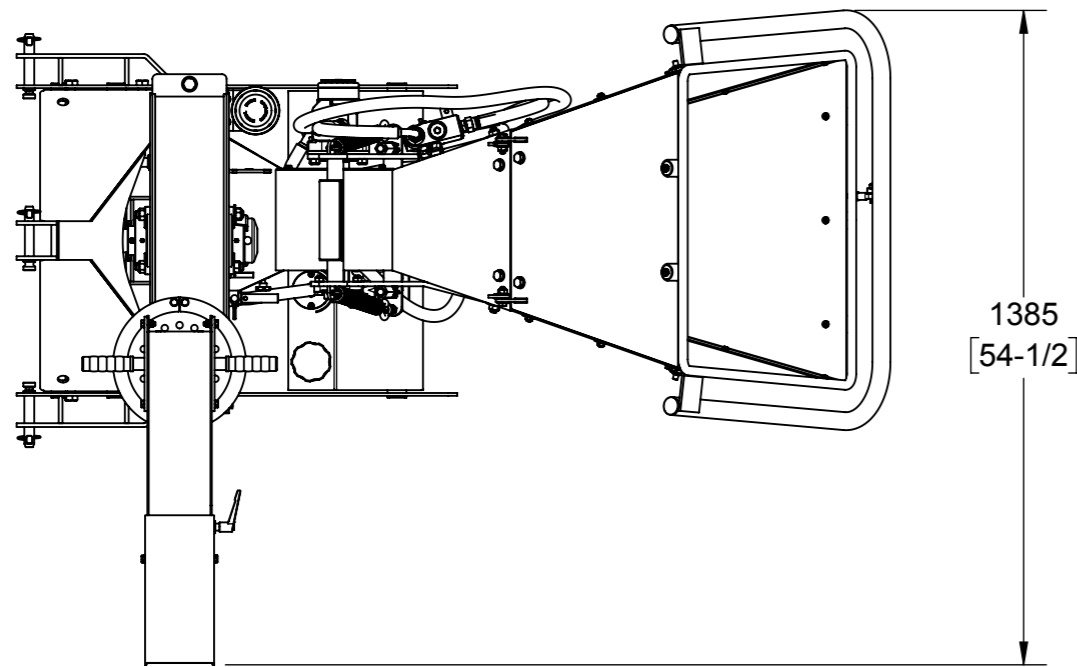


WC68 OPERATING STATE: OVERALL DIMENSIONS



NOTES:

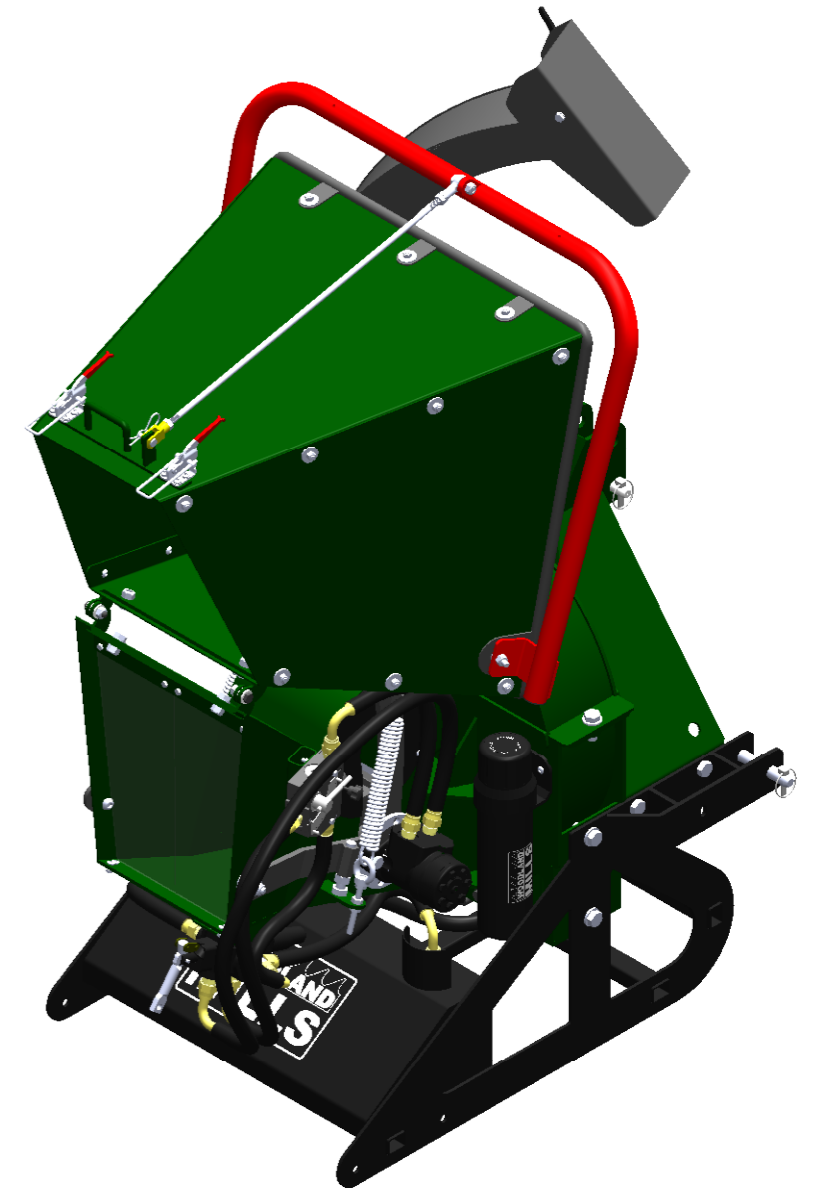
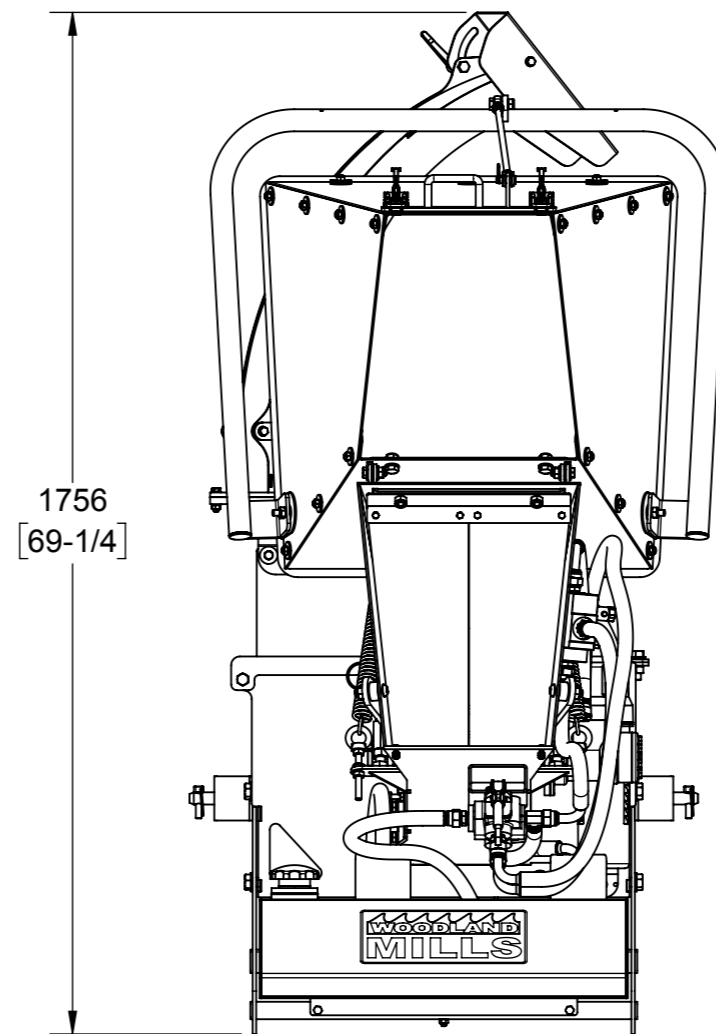
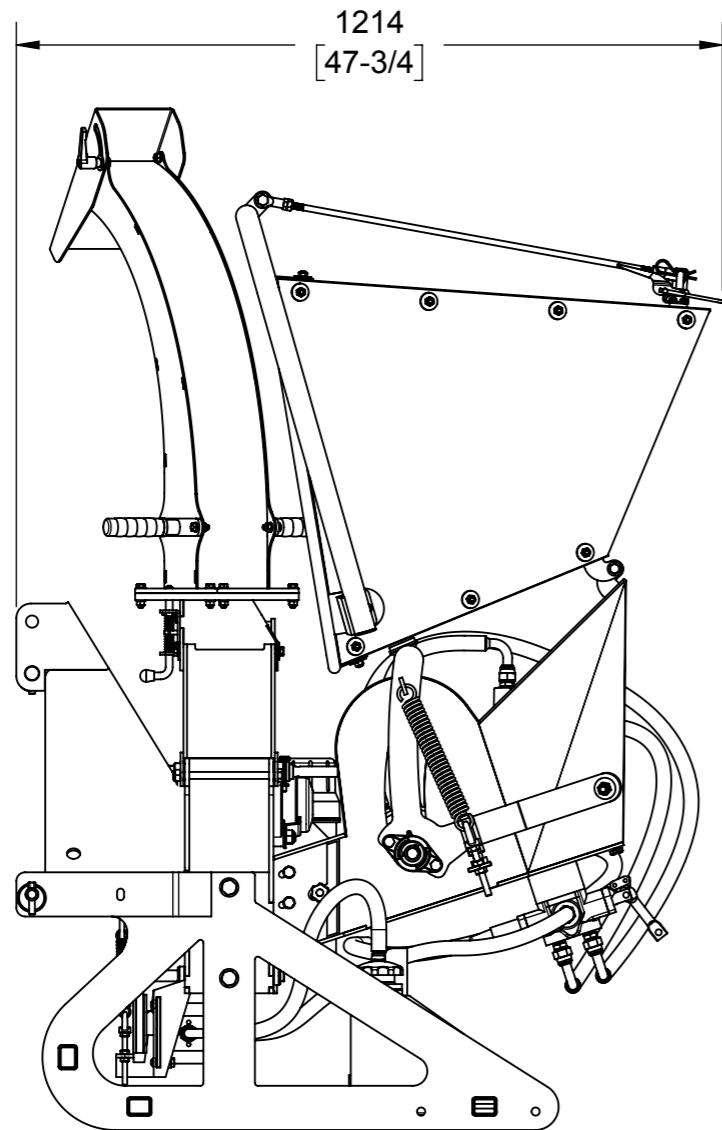
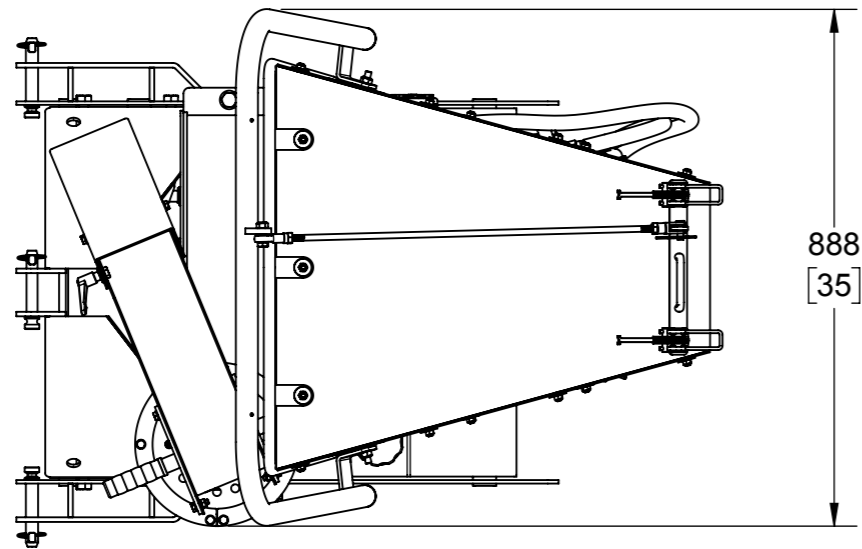
1. DIMENSIONS LOCATED WITHIN SQUARE BRACKETS [] ARE IN INCHES.



WOODLAND MILLS FORESTRY EQUIPMENT
171 NORTH PORT RD, UNIT #1
PORT PERRY, ON L9L 1B2, CANADA
1 (855) 476-6455

SIZE A3	DWG NO	WC68-2020	REV
SCALE 1:16	DATE 20-02-2020	SHEET 1 OF 3	

WC68 STORAGE STATE: OVERALL DIMENSIONS



NOTES:

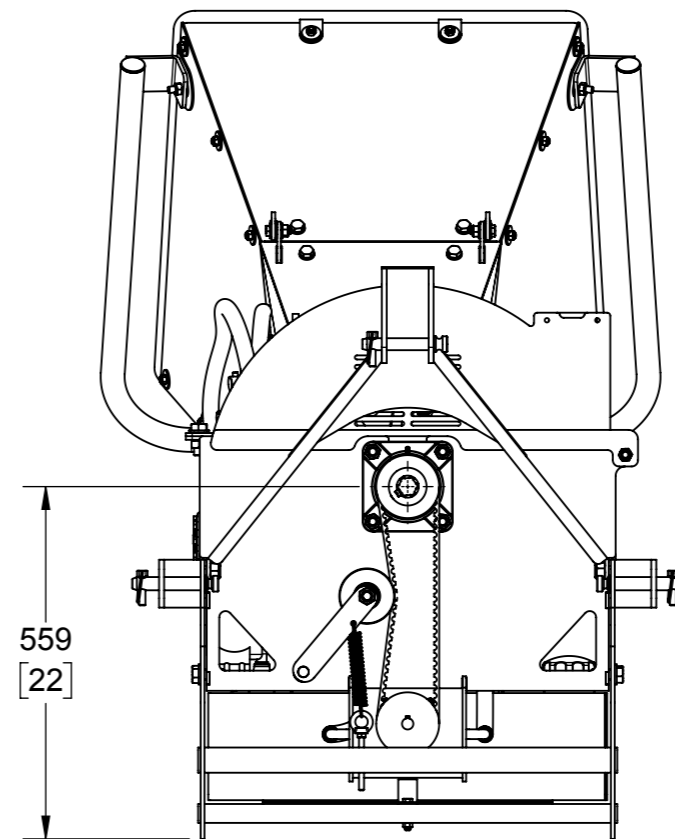
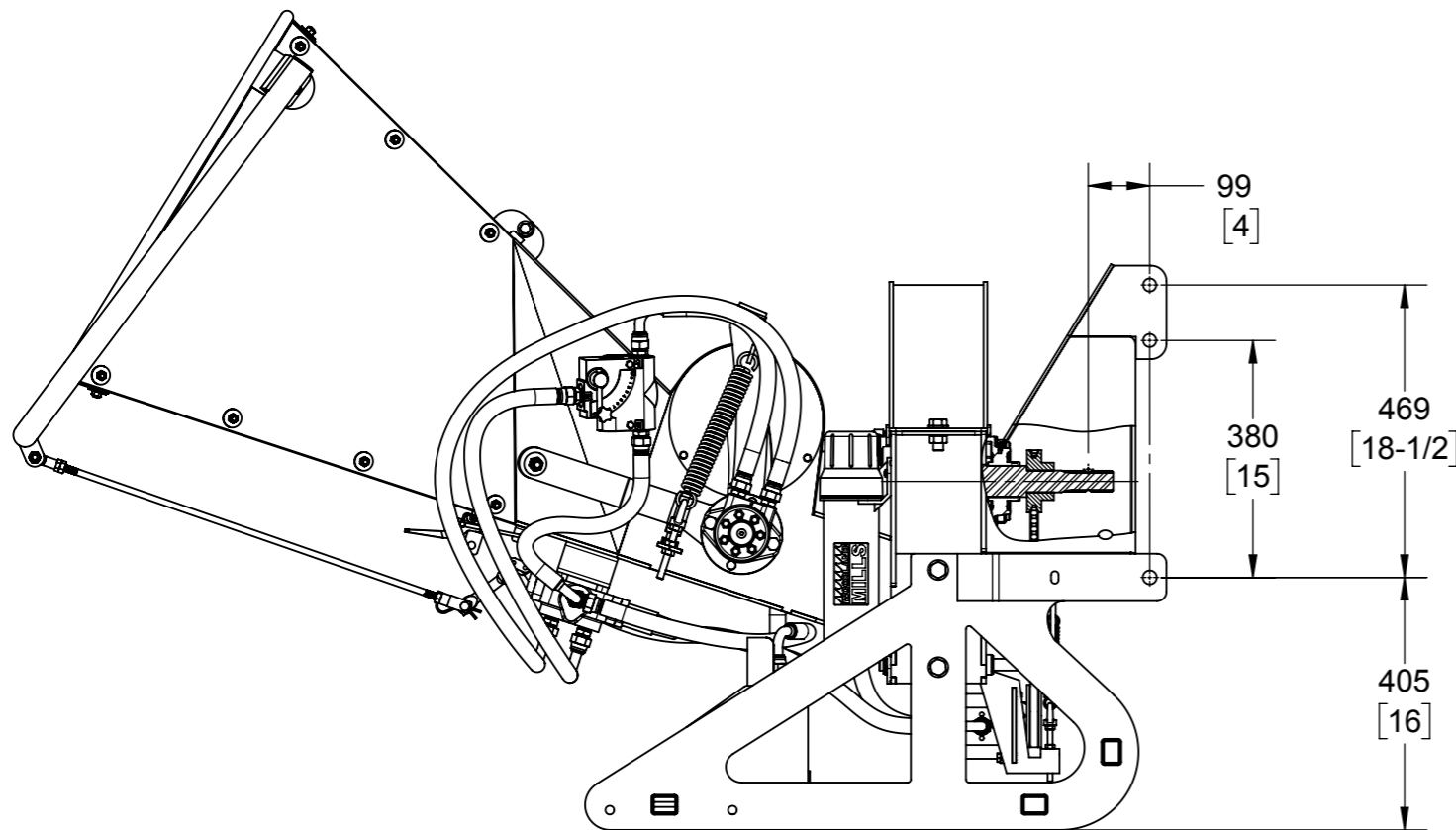
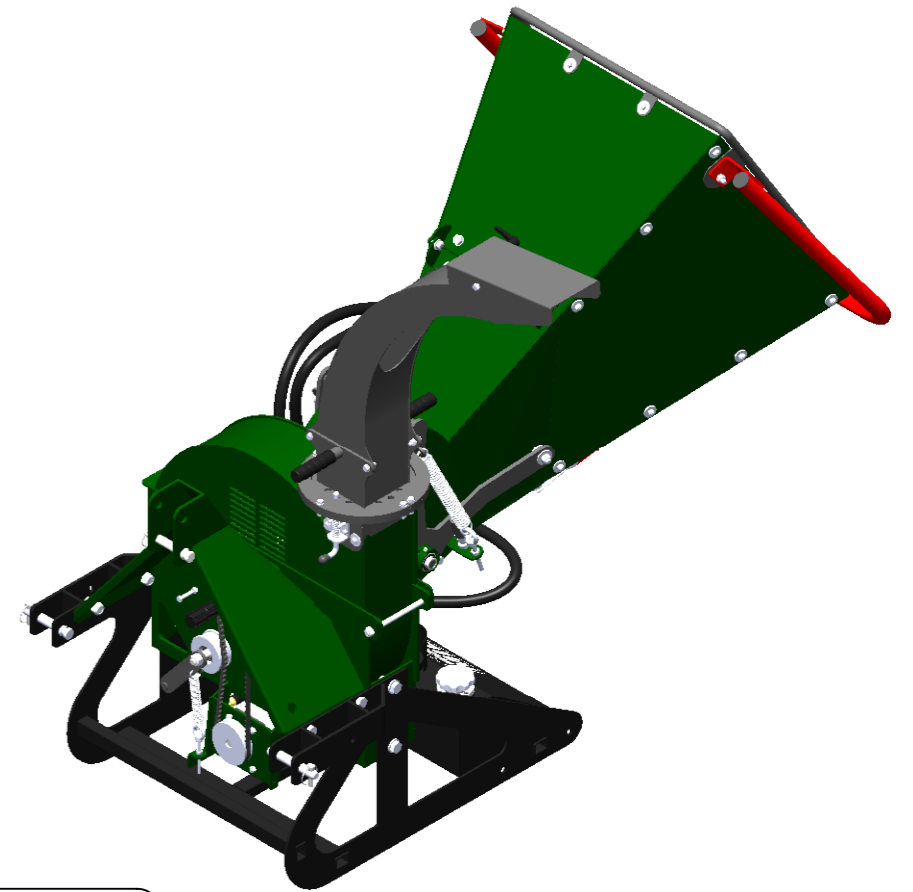
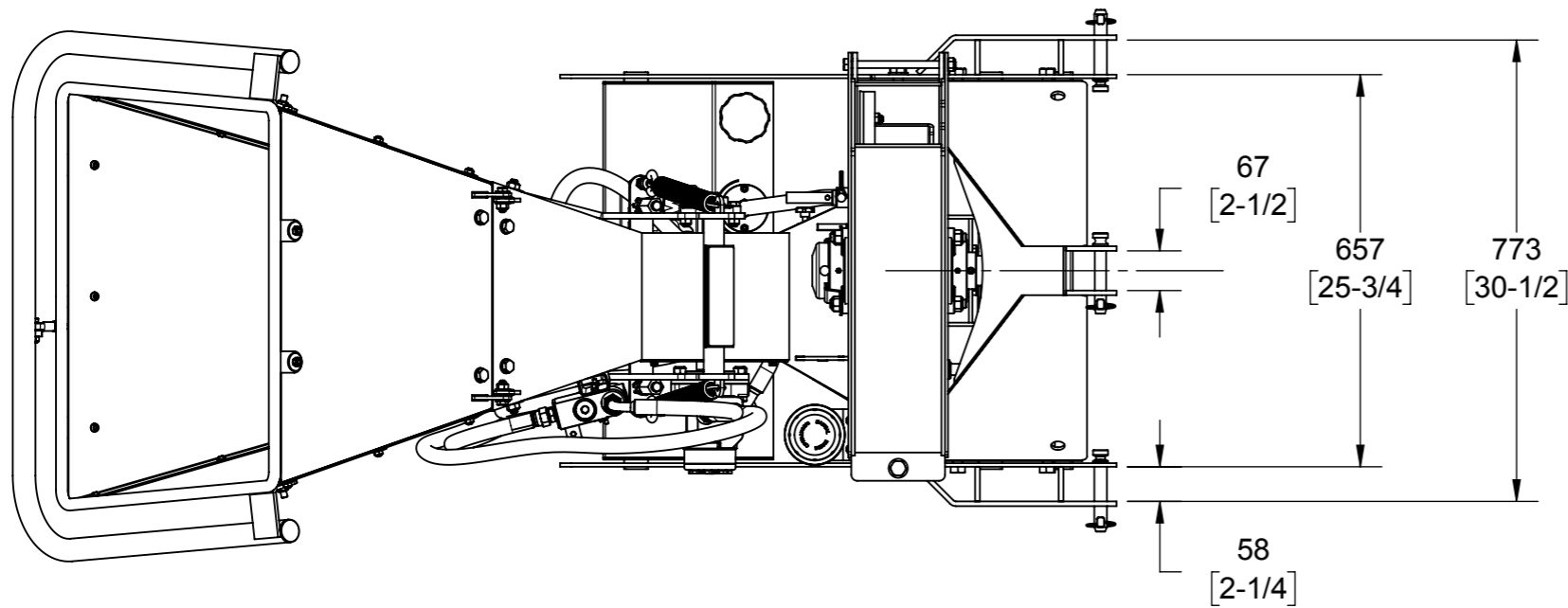
1. DIMENSIONS LOCATED WITHIN SQUARE BRACKETS [] ARE IN INCHES.



WOODLAND MILLS FORESTRY EQUIPMENT
 171 NORTH PORT RD, UNIT #1
 PORT PERRY, ON L9L 1B2, CANADA
 1 (855) 476-6455

SIZE A3	DWG NO	WC68-2020	REV
SCALE 1:13	DATE 20-02-2020	SHEET 2 OF 3	

WC68: 3-POINT HITCH DIMENSIONS



NOTES:

1. DIMENSIONS LOCATED WITHIN SQUARE BRACKETS [] ARE IN INCHES.
2. DISCHARGE CHUTE REMOVED FROM SOME VIEWS FOR CLARITY.



WOODLAND MILLS FORESTRY EQUIPMENT
171 NORTH PORT RD, UNIT #1
PORT PERRY, ON L9L 1B2, CANADA
1 (855) 476-6455

SIZE A3	DWG NO WC68-2020	REV
SCALE 1:12	DATE 20-02-2020	SHEET 3 OF 3