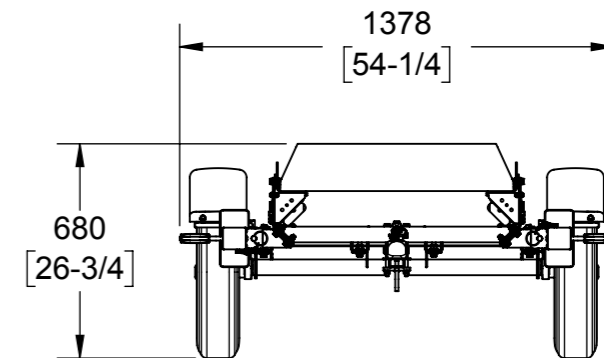
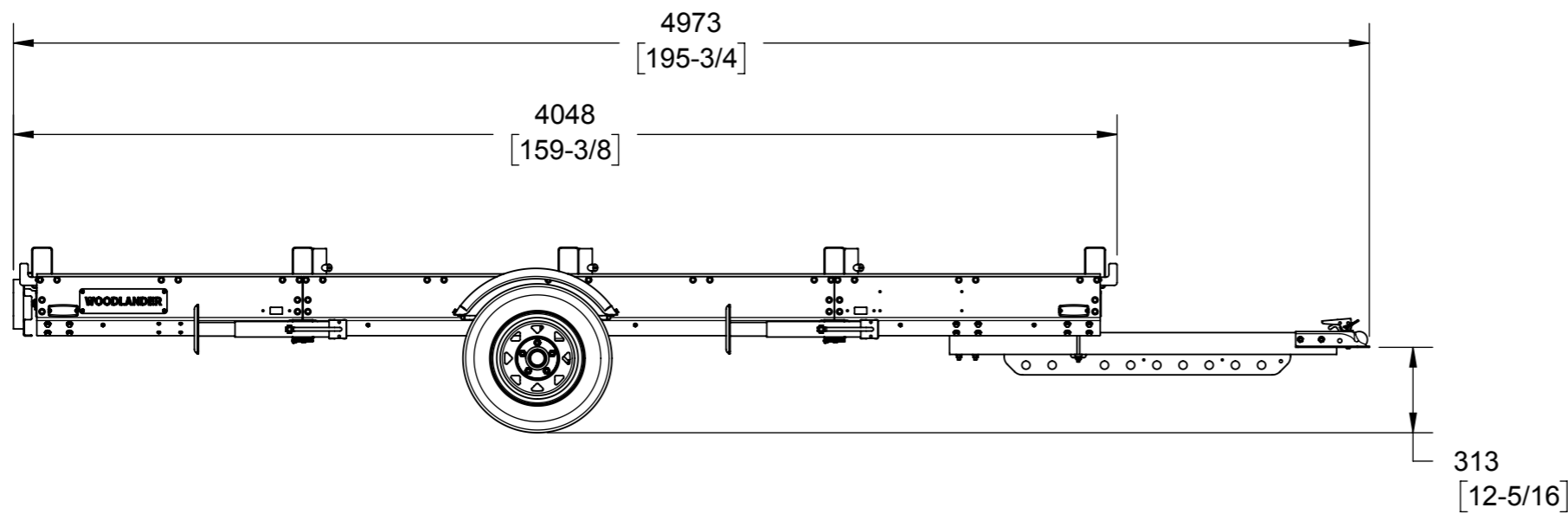
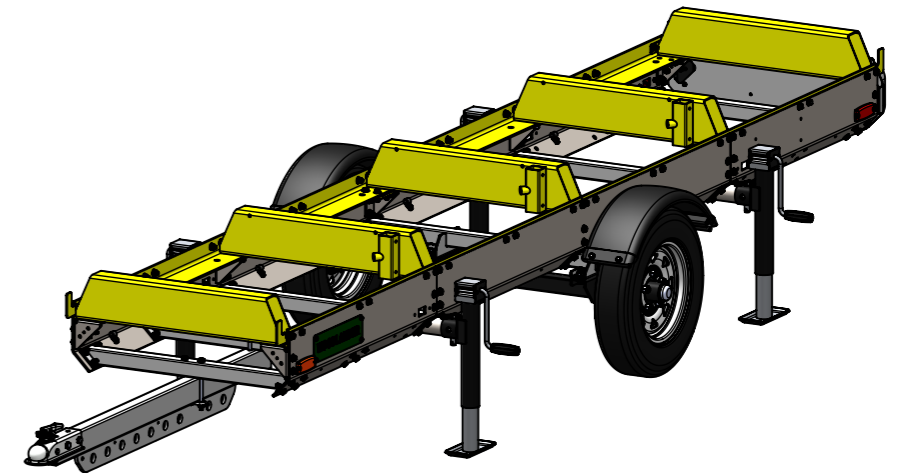
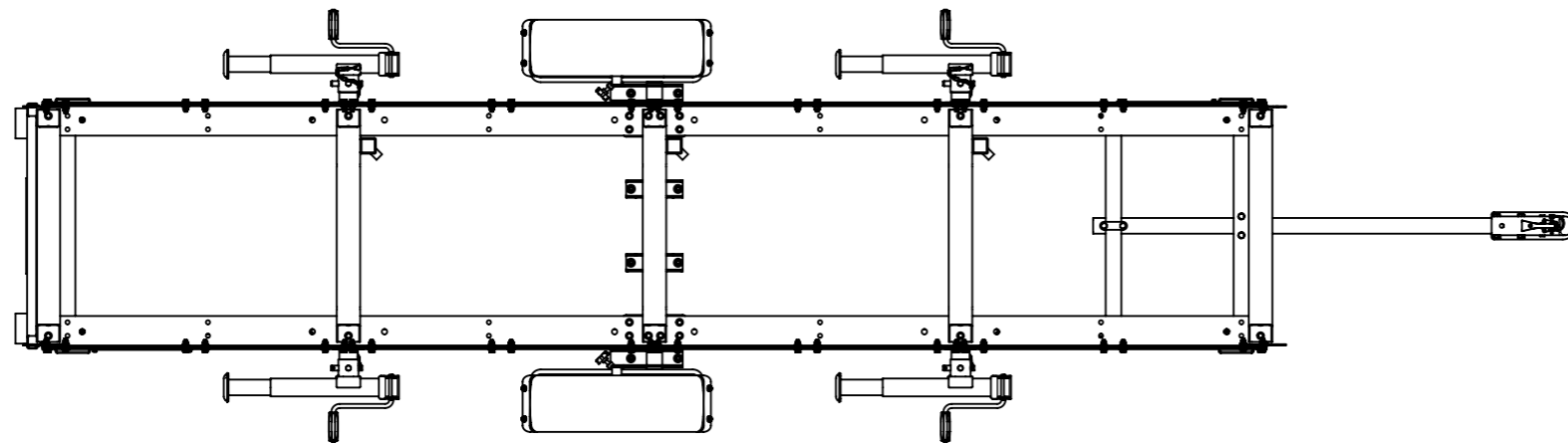


WOODLANDER: OVERALL DIMENSIONS



NOTES:

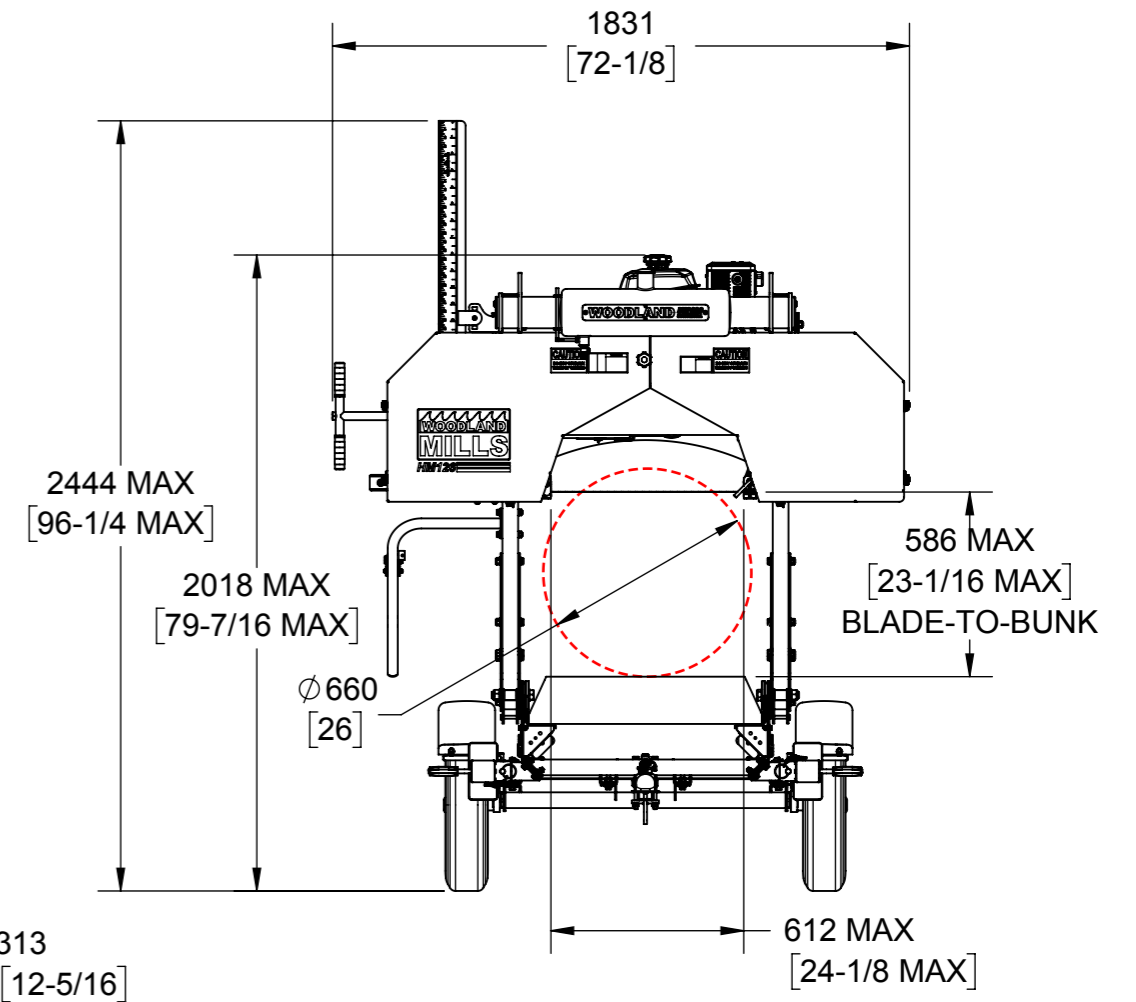
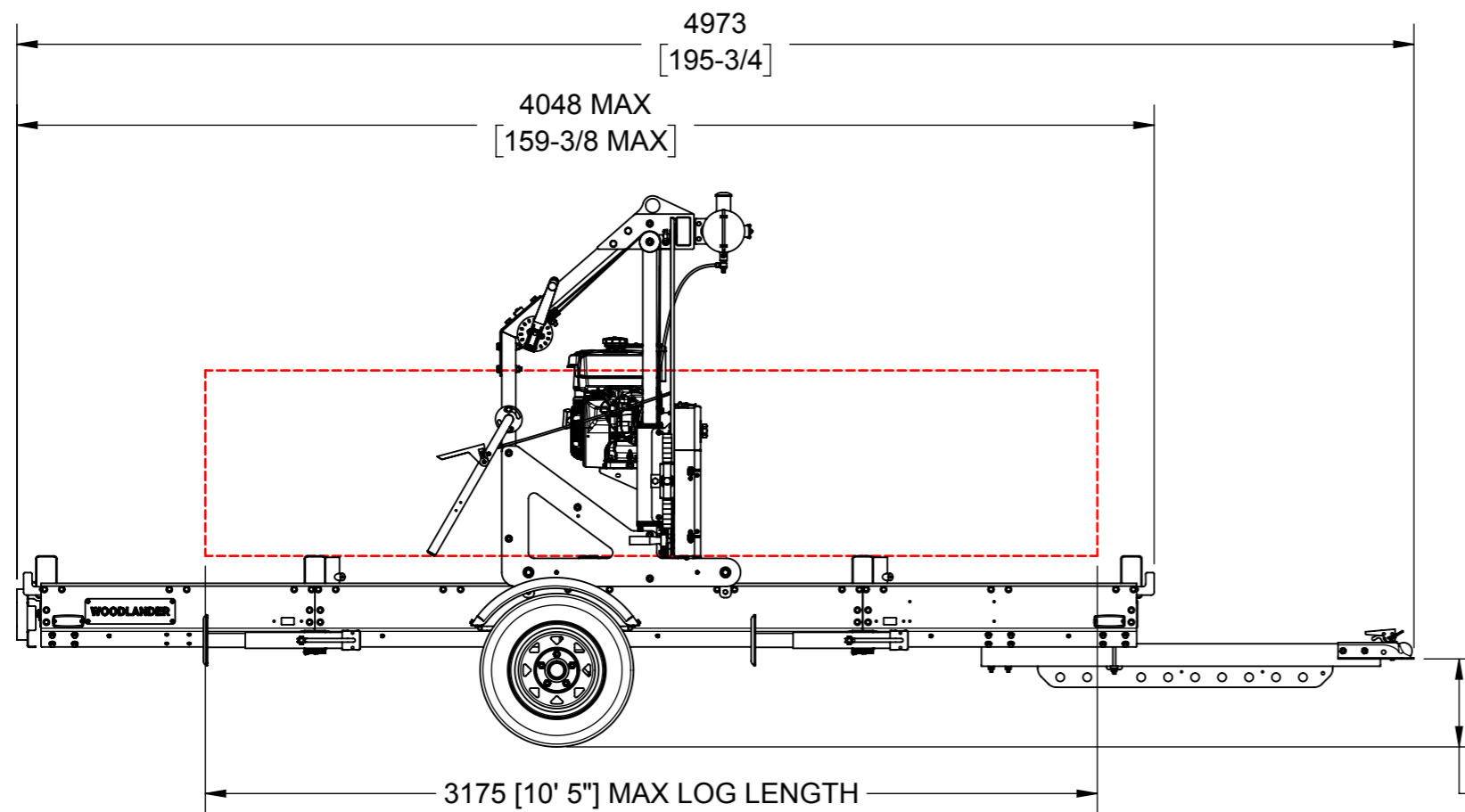
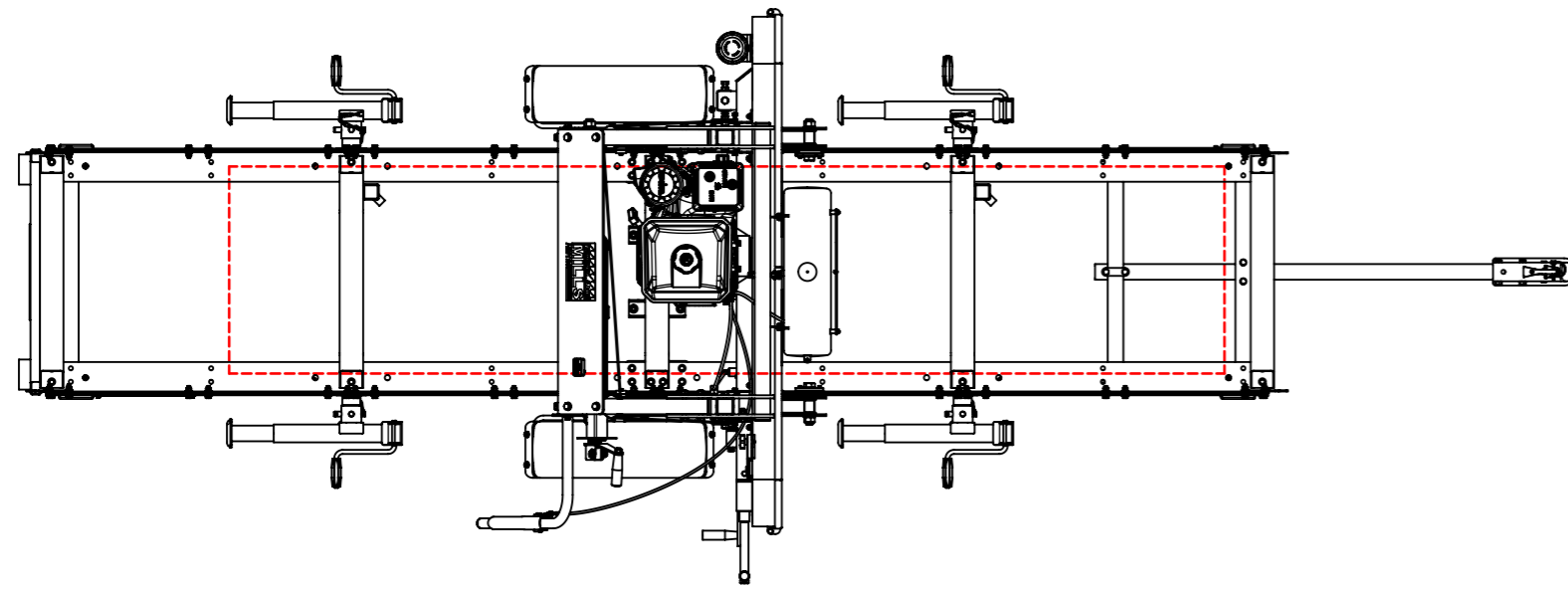
1. DIMENSIONS LOCATED WITHIN SQUARE BRACKETS [] ARE IN INCHES.
2. SAWMILL TRACK (HIGHLIGHTED YELLOW) SHOWN FOR REFERENCE ONLY. NOT INCLUDED WITH TRAILER.



WOODLAND MILLS FORESTRY EQUIPMENT
 171 NORTH PORT RD, UNIT #1
 PORT PERRY, ON L9L 1B2, CANADA
 1 (855) 476-6455

SIZE A3	DWG NO	WDLR-2020	REV
SCALE 1:24	DATE 19-12-2019	SHEET 1 OF 4	

WOODLANDER W/ SAWMILL: OVERALL DIMENSIONS



NOTES:

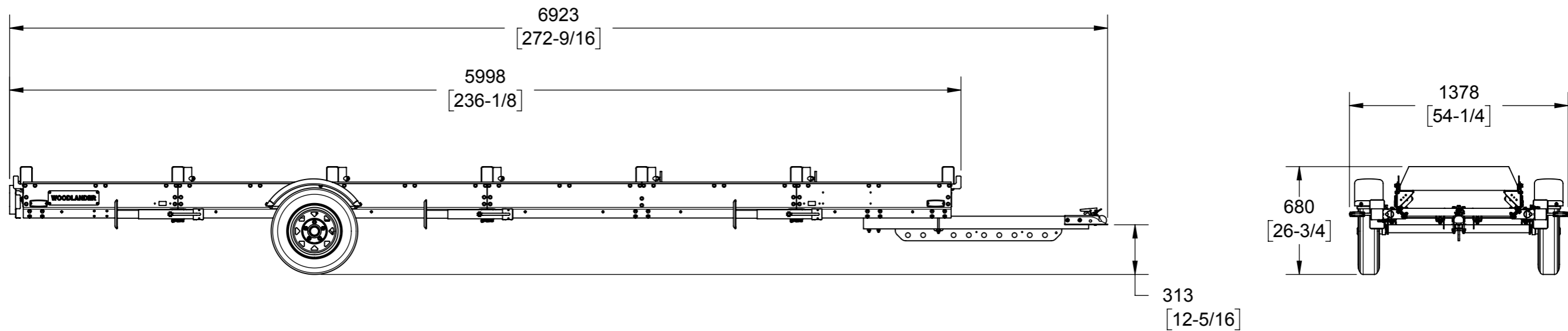
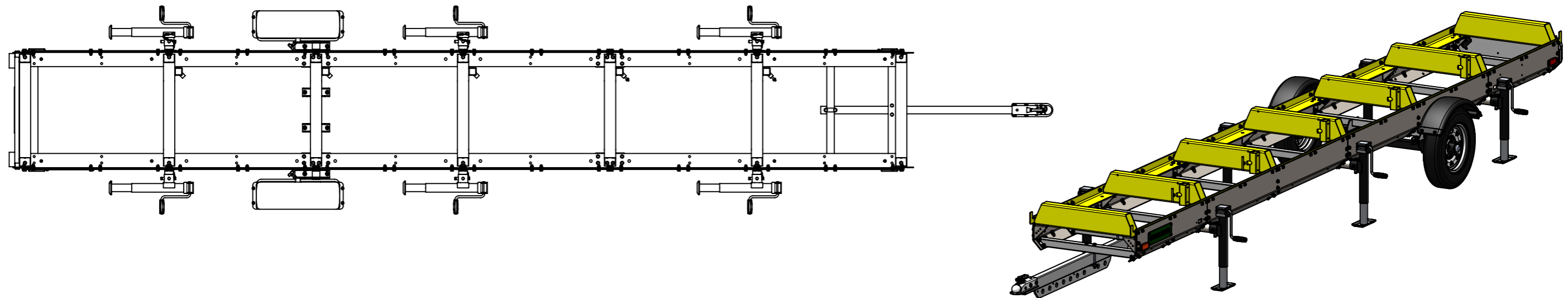
1. DIMENSIONS LOCATED WITHIN SQUARE BRACKETS [] ARE IN INCHES.



WOODLAND MILLS FORESTRY EQUIPMENT
 171 NORTH PORT RD, UNIT #1
 PORT PERRY, ON L9L 1B2, CANADA
 1 (855) 476-6455

SIZE A3	DWG NO	WDLR-2020	REV
SCALE 1:24	DATE 19-12-2019	SHEET 2 OF 4	

WOODLANDER XL: OVERALL DIMENSIONS



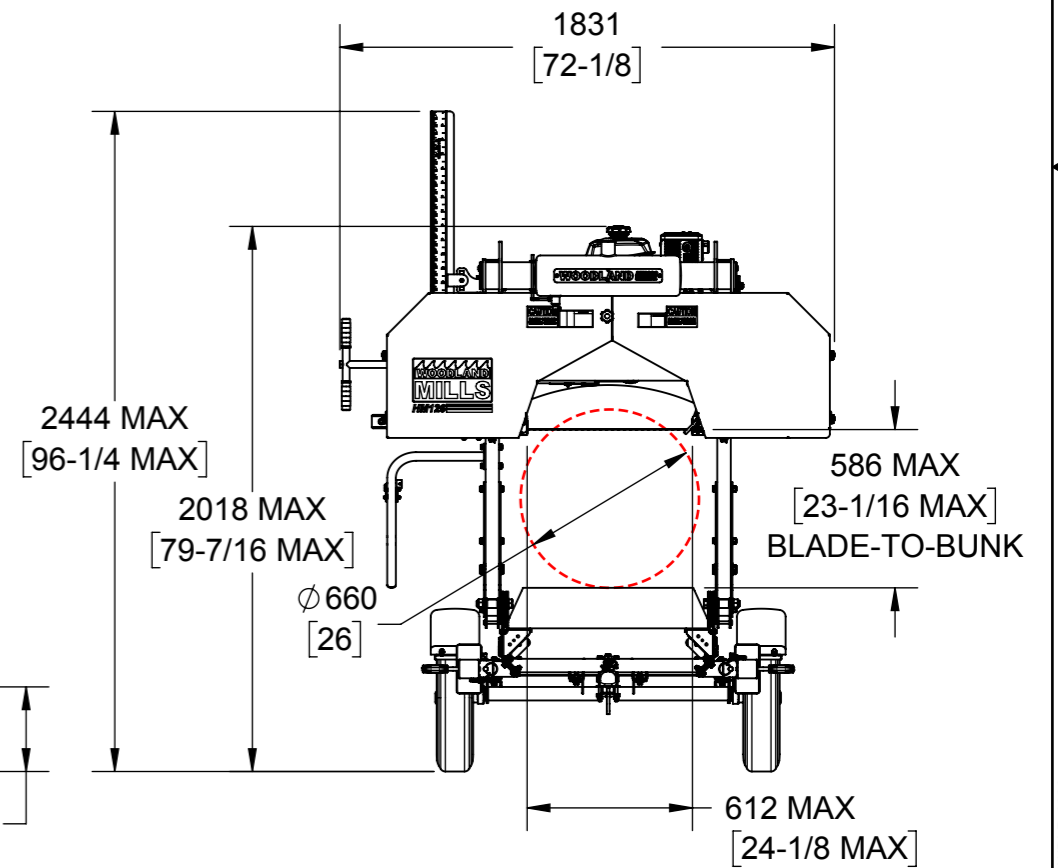
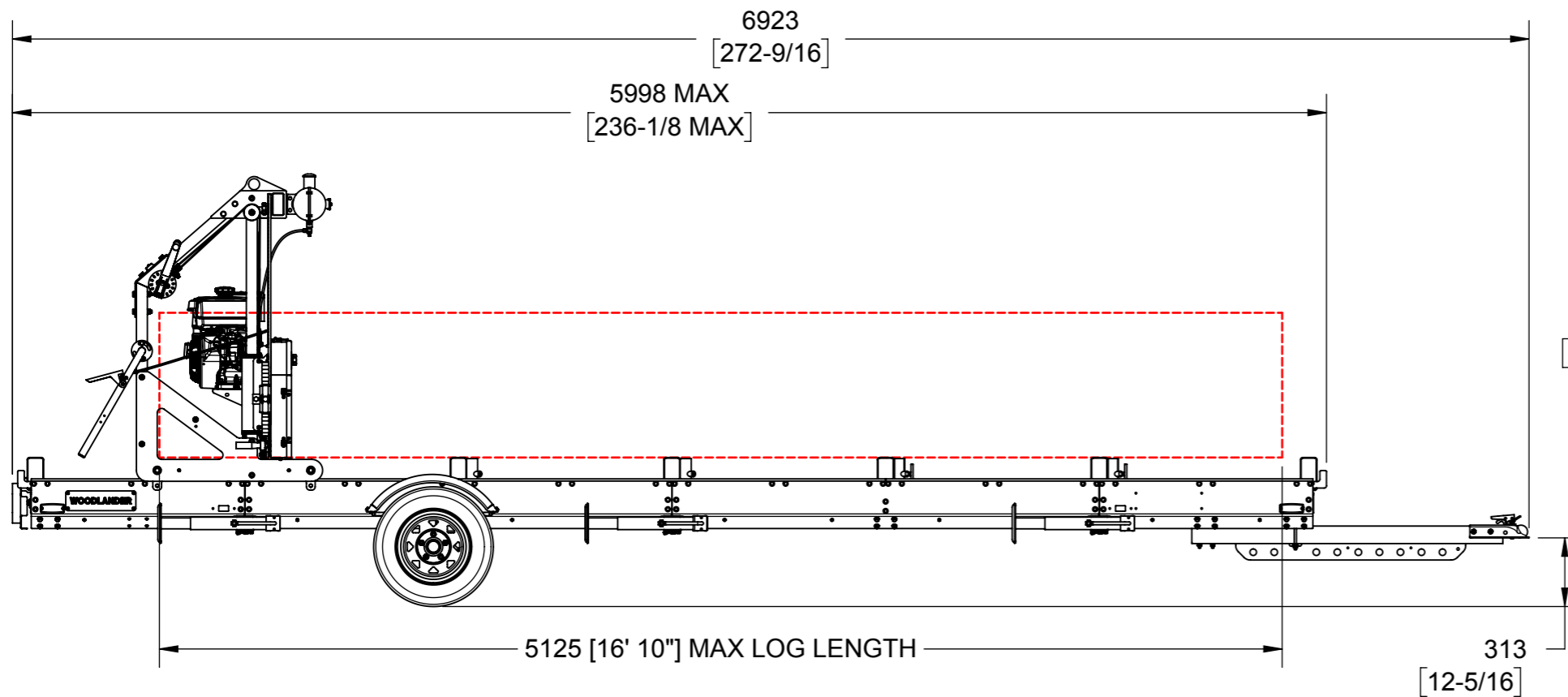
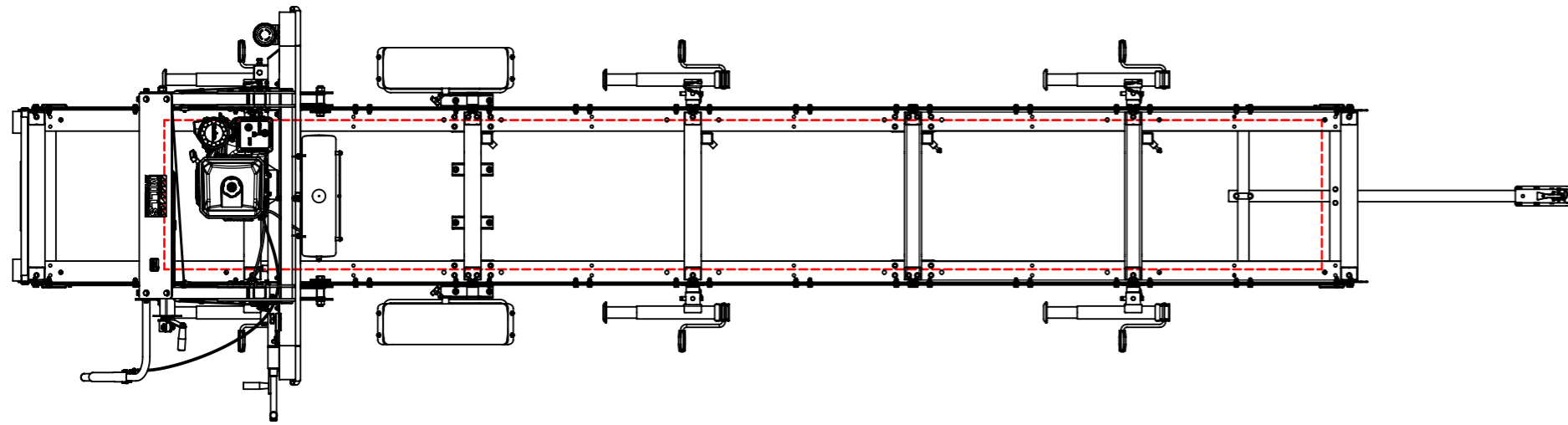
NOTES:

1. DIMENSIONS LOCATED WITHIN SQUARE BRACKETS [] ARE IN INCHES.
2. SAWMILL TRACK (HIGHLIGHTED YELLOW) SHOWN FOR REFERENCE ONLY. NOT INCLUDED WITH TRAILER.

		WOODLAND MILLS FORESTRY EQUIPMENT 171 NORTH PORT RD, UNIT #1 PORT PERRY, ON L9L 1B2, CANADA 1 (855) 476-6455		
		SIZE A3	DWG NO WDLR-2020	REV []
DATE 19-12-2019		SHEET 3 OF 4		

C:\VAULT\PRODUCTS\TRAILERS\HM126T\2020\WDLR-2020

WOODLANDER XL W/ SAWMILL: OVERALL DIMENSIONS



NOTES:

1. DIMENSIONS LOCATED WITHIN SQUARE BRACKETS [] ARE IN INCHES.



WOODLAND MILLS FORESTRY EQUIPMENT
171 NORTH PORT RD, UNIT #1
PORT PERRY, ON L9L 1B2, CANADA
1 (855) 476-6455

SIZE A3	DWG NO	WDLR-2020	REV
SCALE 1:28	DATE 19-12-2019	SHEET 4 OF 4	