

# BUSHLANDER™ SAWMILL TRAILER & BUSHLANDER™ XL (TRAILER EXTENSION)

Trailer Extension Assembly Instructions Included\*

\*Extension sold separately



## OPERATOR'S MANUAL

BHLR-MY2020-EN: Rev B  
Publication Date: 20-Aug-2020



The Bushlander™ and Bushlander™ XL are *off-road only* sawmill trailers compatible with HM122 sawmills. Bushlander™ is a trademark of Woodland Mills, Inc.

This page intentionally left blank.



# TABLE OF CONTENTS

<b>TABLE OF CONTENTS</b>	<b>1</b>
<b>INTRODUCTION</b>	<b>3</b>
<b>GENERAL SAFETY RULES</b>	<b>4</b>
<b>INSPECTION/MAINTENANCE</b>	<b>4</b>
<b>TECHNICAL SPECIFICATIONS</b>	<b>5</b>
COMPATIBILITY	5
INTENDED USE	5
BOLT TORQUE SPECIFICATIONS	5
<b>TRAILER ASSEMBLY</b>	<b>6</b>
1. TOOLS REQUIRED	6
2. UNPACKING	7
3. TRAILER BOX FRAME	8
4. SUPPORT LEGS	10
5. TRACK RAILS	11
6. MIDDLE BUNKS	12
7. END BUNKS	14
8. TONGUE	16
9. JACK MOUNTS	18
10. CARRIAGE STOPS	19
11. AXLE BRACKETS	20
12. AXLE HOUSING	21
13. AXLES	22
14. HEAD LOCK-DOWN PLATES	23
LOCK-DOWN PLATE INSTALLATION	24
DRILLING LOCK-DOWN HOLES FOR STANDARD TRAILER	25
DRILLING LOCK-DOWN HOLES FOR TRAILER EXTENSION	26
15. WHEELS	27



<b>TRAILER EXTENSION ASSEMBLY</b>	<b>29</b>
1. TRAILER EXTENSION TRACK	29
2. TRAILER EXTENSION SUPPORT LEGS	31
3. TRAILER EXTENSION CARRIAGE STOPS	32
4. TRAILER EXTENSION LOG CLAMP	33
5. TRAILER EXTENSION LOCK-DOWN BRACKETS	34
6. TRAILER EXTENSION-TO-TRAILER	35
TUNING THE HINGE BUNK	37
<b>OPERATION</b>	<b>40</b>
LEVELLING THE TRAILER	40
TRAILER EXTENSION LOCK-DOWN	41
LOCK-DOWN THE SAWMILL CARRIAGE	41
DISENGAGE HINGE BUNK	42
ROTATE THE EXTENSION	43
SECURE EXTENSION WITH RATCHET STRAP	44
<b>PARTS LIST—STANDARD TRAILER</b>	<b>45</b>
<b>PARTS LIST—TRAILER EXTENSION</b>	<b>46</b>
<b>EXPLODED ASSEMBLY VIEWS</b>	<b>47</b>
STANDARD TRAILER	47
STANDARD TRAILER CHASSIS	48
STANDARD TRAILER AXLES	49
HEAD LOCK-DOWN PLATES	50
TRAILER EXTENSION	51
TRAILER EXTENSION HINGE BUNK	52
<b>NOTES</b>	<b>53</b>



## INTRODUCTION

Congratulations on your purchase and welcome to Woodland Mills! This manual gives you the necessary information about your Bushlander™ sawmill trailer so you will be able to use it properly. The entire manual must be read and understood before using the trailer. If any questions should arise that are not covered by this manual, please contact Woodland Mills, Inc.

### OWNER'S RECORD

Please take a moment to record the following information about your Bushlander™ sawmill trailer. If you need to call for assistance, please be ready to provide your model and serial numbers. This information will allow us to help you more quickly when you call.

#### MODEL NUMBER

#### SERIAL NUMBER

#### DATE OF PURCHASE

The Bushlander™ and Bushlander™ XL sawmill trailers are compatible with the HM122 sawmill and track system for milling logs while the trailer is stationary and firmly supported on the ground. It is not intended to carry any additional weight or be used as a utility trailer.

The Bushlander™ and Bushlander™ XL sawmill trailers are *off-road* trailers designed for certain applications only. We strongly recommend the trailer not be modified and/or used for any application other than that for which it was designed. If you have any questions relative to a particular application, *do not* use the trailer until you have first contacted Woodland Mills to determine if it can or should be performed using the product.

For technical questions and replacement parts, please contact Woodland Mills, Inc.



## **\*\*SAVE THESE INSTRUCTIONS\*\***

### **GENERAL SAFETY RULES**



#### **WARNING!**

Read and understand all instructions. Failure to follow all instructions listed below may result serious injury.



#### **WARNING!**

The warnings, cautions, and instructions discussed in this instruction manual cannot cover all possible conditions or situations that could occur. It must be understood by the operator that common sense and caution are factors which cannot be built into this product but must be supplied by the operator.



#### **WARNING!**

The Bushlander™ and Bushlander™ XL sawmill trailers are for **off-road use only**.

### **INSPECTION/MAINTENANCE**

- Check the tires before all trips. Make sure they are inflated to the pressure shown on the tire.
- Grease the axle bearings every 3 months or 1000 miles (1600 km), whichever comes first.
- Check the tow hitch ball coupler. Make sure it is not damaged.
- Check the wheel lug nuts before all trips. Make sure they are torqued properly.
- Inspect trailer before all trips for any damaged or loose parts.



## TECHNICAL SPECIFICATIONS

Item	Specification
Trailer Axle	Fixed Axle Design
Trailer Wheels	4 Bolts @ 3-15/16 in [100 mm] & 22X11-10 ATV Tires
Tire Pressure	Refer to Tire
Wheel Nut Torque	80 ft•lb [110 N•m]
Trailer Ball Coupler	2 in [50 mm]
Finish	Powder Coat Paint / Galvanized Steel
Safety	Locking pins and safety straps to secure sawhead while travelling

## COMPATIBILITY

The Bushlander™ sawmill trailer is designed to work with the following sawmill models:

Sawmill Model	Model Years	Trailer Compatible?
HM122	2019 & Earlier	Yes
	2020 & Newer	Yes
	Model Years	Extension Compatible?
	2019 & Earlier	No
	2020 & Newer	Yes

## INTENDED USE

The Bushlander™ and Bushlander™ XL sawmill trailers are designed for ***off-road use only***.

## BOLT TORQUE SPECIFICATIONS

Bolt (Thread Size)	Torque
M5	78 in•lb [9 N•m]
M6	133 in•lb [15 N•m]
M8	333 in•lb [38 N•m]
M10	53 ft•lb [72 N•m]
M12	93 ft•lb [126 N•m]



## TRAILER ASSEMBLY

### 1. TOOLS REQUIRED

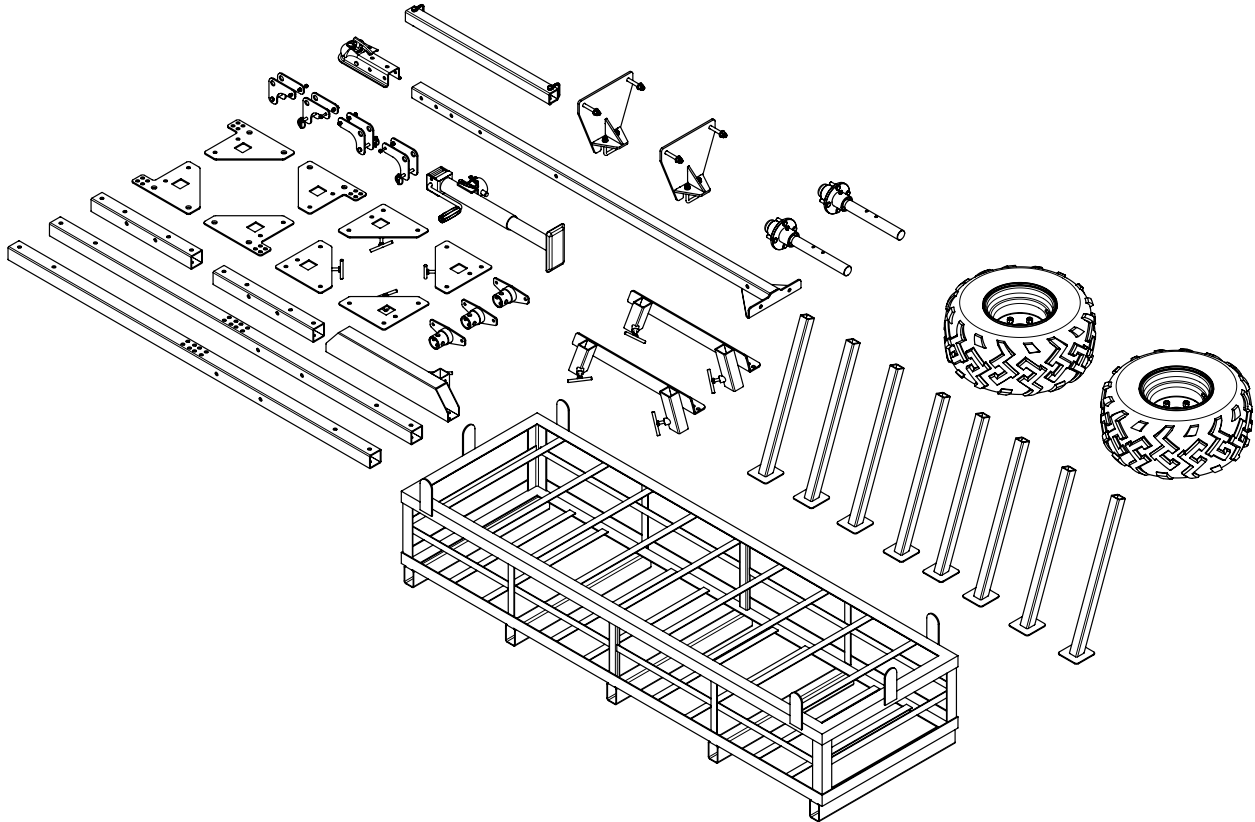
Tool	Specification
Phillips Head Screwdriver	No. 3
Wrench/Socket	8 mm
Wrench/Socket	9 mm
Wrench/Socket	10 mm
Wrench/Socket	13 mm
Wrench/Socket	14 mm
Wrench/Socket	15 mm
Wrench/Socket	18 mm
Adjustable Wrench	Variable
Torque Wrench	Capable of 93 ft•lb [126 N•m]
Drill	Corded or cordless





## 2. UNPACKING

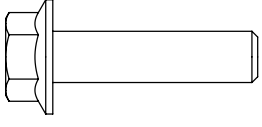
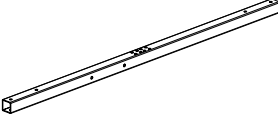
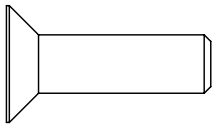
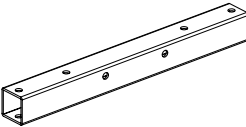
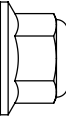
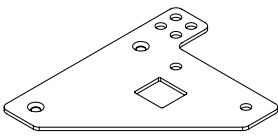
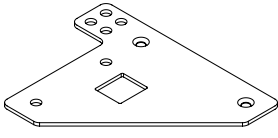
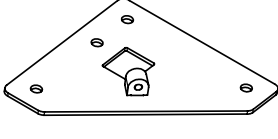
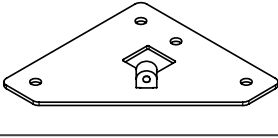
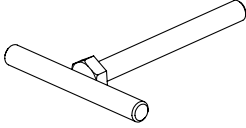
Remove all the parts from the steel crate. Discard the crate as it is no longer needed.



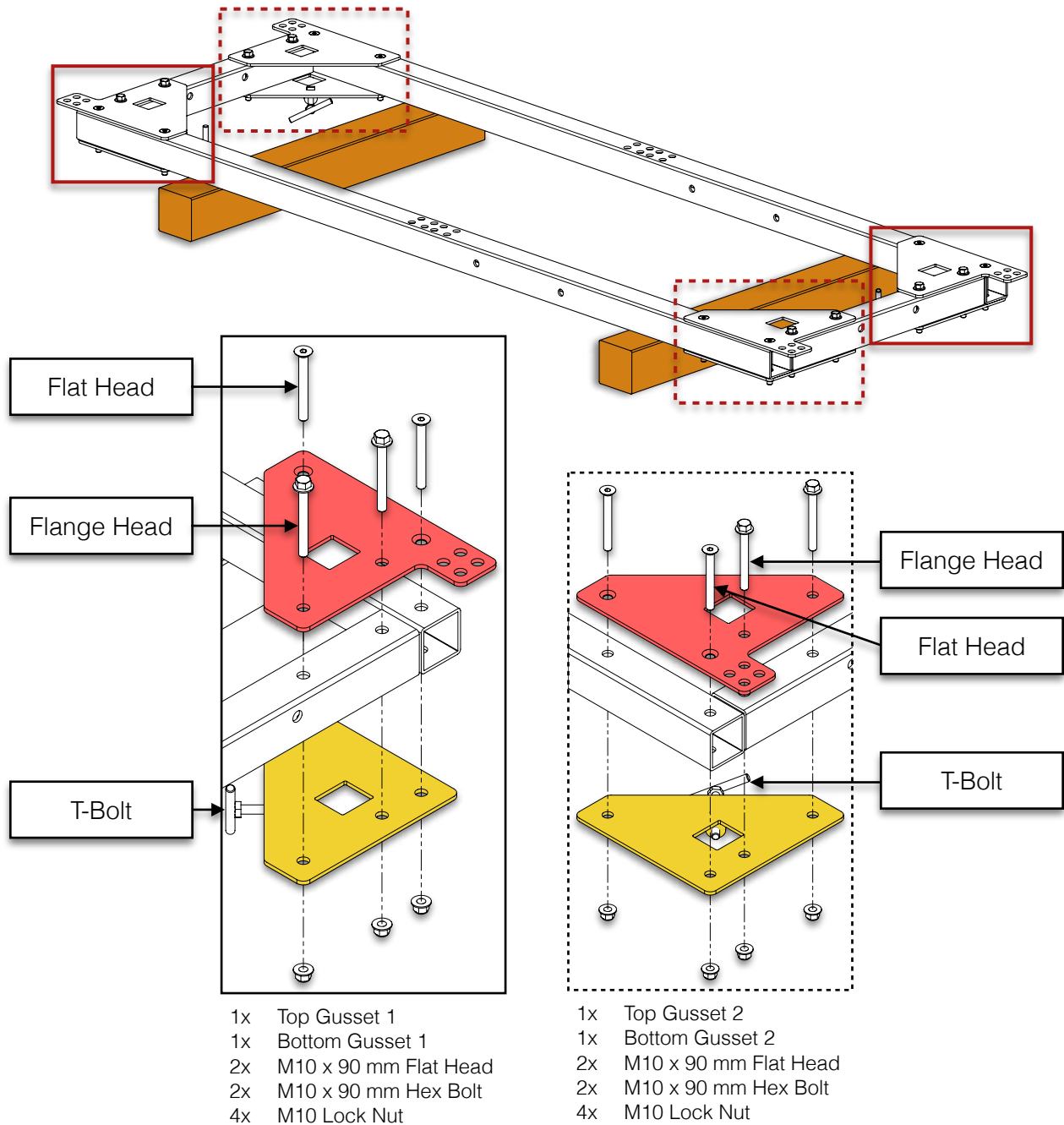


### 3. TRAILER BOX FRAME

Using the hardware listed below, assemble the trailer box frame as shown on the next page.

8x	M10 X 90 mm Flanged Hex Bolt		2x	Trailer Side Beam	
8x	M10 X 90 mm Flat Head Screw		2x	Trailer End Beam	
16x	M10 Flanged Lock Nut		2x	Top Gusset 1	
			2x	Top Gusset 2	
			2x	Bottom Gusset 1	
			2x	Bottom Gusset 2	
			4x	M10 X 90 mm T-Bolt	

Ensure the frame is 25-½ in [648 mm] wide and 74-¾ in [1890 mm] long, measuring diagonally to check for squareness. Torque all bolts per the table in section, **BOLT TORQUE SPECIFICATIONS**.



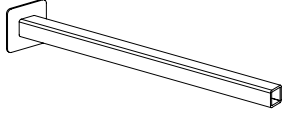
Assemble the trailer box frame on wood blocks for ease of assembly. The diagonally opposite corners are the same. Note that the two (2) flat head screws in each corner are assembled through the countersunk holes.

Grease the M10 X 90 mm T-bolts before threading them into the bottom gussets.

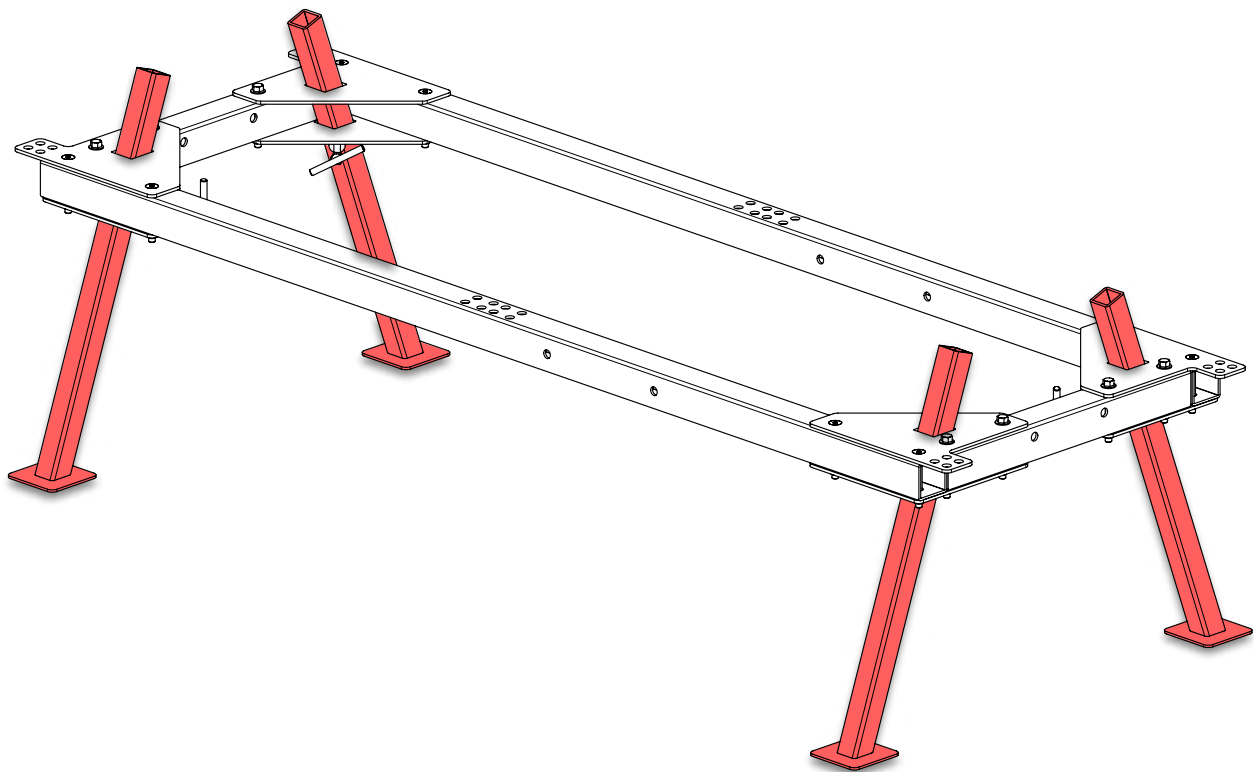


## 4. SUPPORT LEGS

Use the component listed in the table below to raise and level the trailer frame.

4x	Support Leg	
----	-------------	---

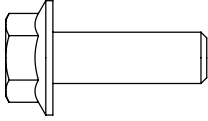
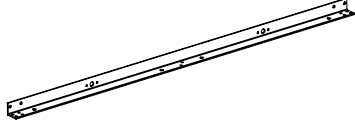
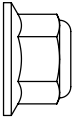
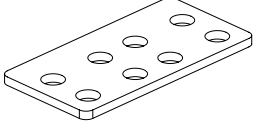
Lift one end of the frame and slide two (2) support legs up through the bottom of each pair of corner gussets. Secure the legs in place using the T-bolts on the bottom gussets. Then lift the other end, insert the two (2) remaining legs, and level the frame along both trailer beams. Tighten the T-bolts once level.



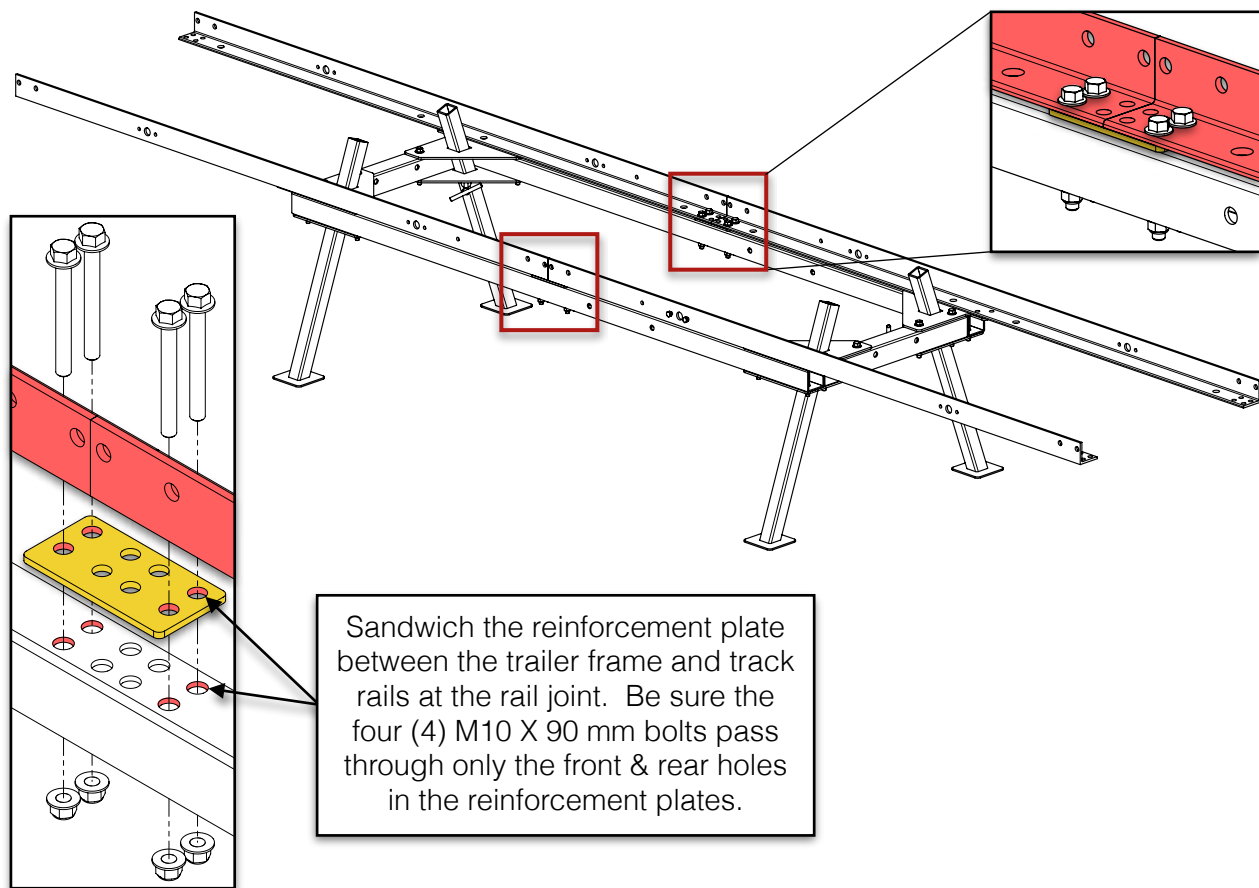


## 5. TRACK RAILS

Using the hardware listed below, attach the track rails to the trailer box frame. Do not fully tighten these bolts.

8x	M10 X 90 mm Flanged Hex Bolt		2x	Track Rail	
16x	M10 Flanged Lock Nut		2x	Reinforcement Plate	

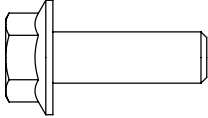
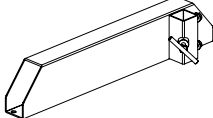
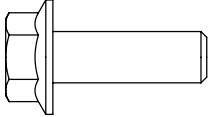
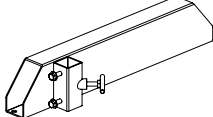
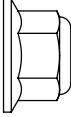
The track rails and reinforcement plates are not included with the trailer assembly—they are found in the sawmill crate. If the trailer was purchased for an existing sawmill (i.e. the sawmill is currently assembled), the track will need to be completely disassembled and these assembly instructions followed.

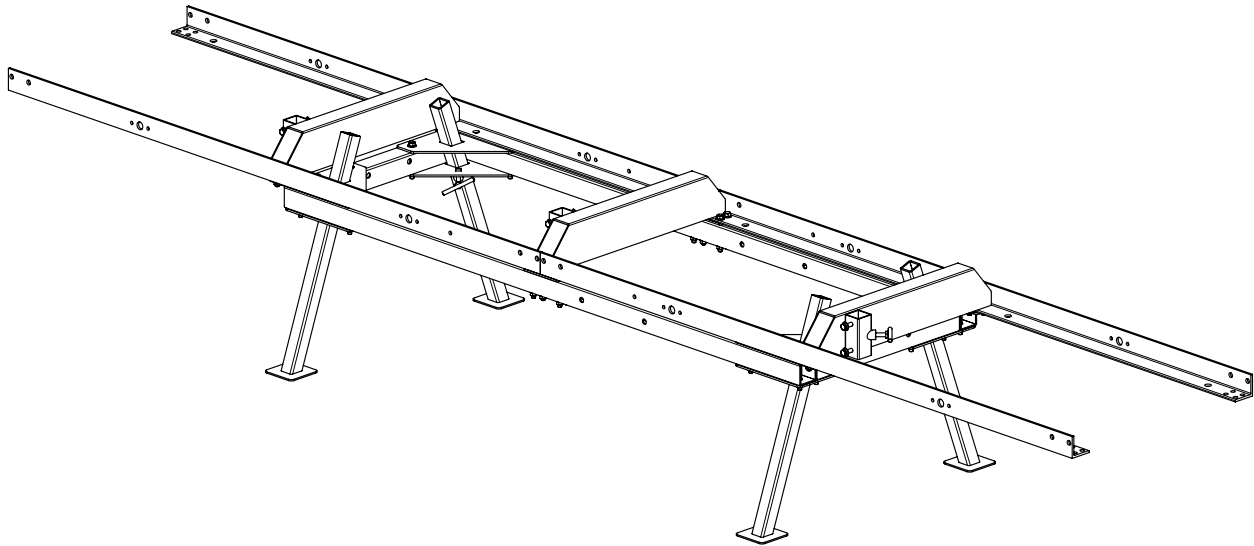


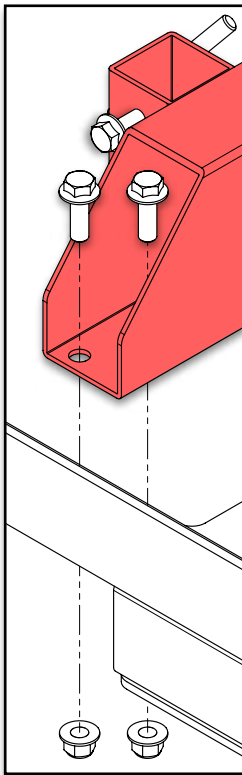
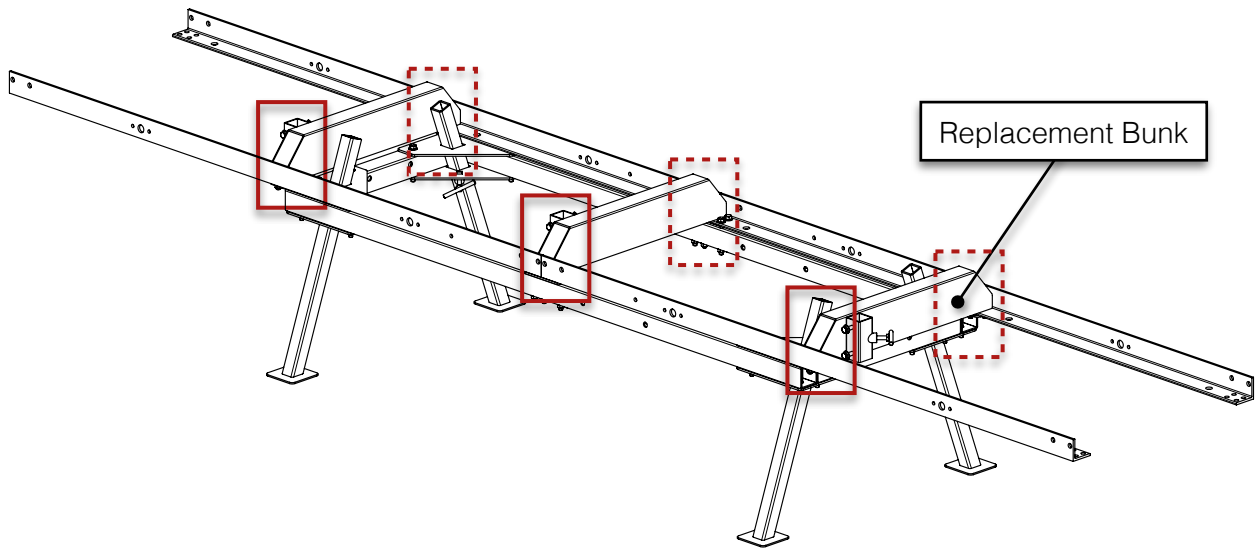


## 6. MIDDLE BUNKS

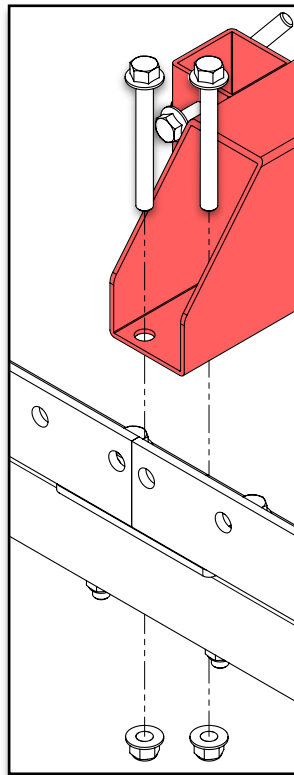
Using the hardware listed below, install the three middle bunks as shown. Note that the replacement log bunk should be installed towards the rear of the trailer. Do not tighten these bolts.

4x	M10 X 90 mm Flanged Hex Bolt		2x	Log Bunk	
8x	M10 X 25 mm Flanged Hex Bolt		1x	Replacement Log Bunk	
12x	M10 Flanged Lock Nut				

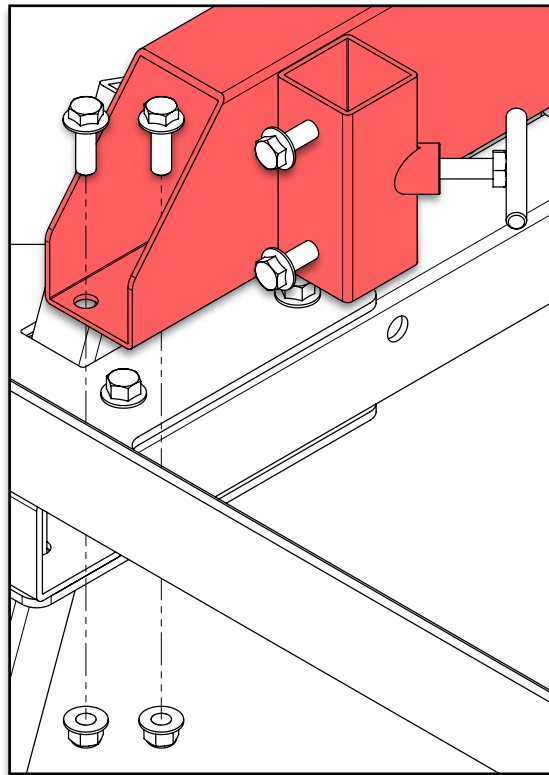




- 1x Log Bunk
- 4x M10 x 25 mm
- 4x M10 Lock Nut



- 1x Log Bunk
- 4x M10 x 90 mm
- 4x M10 Lock Nut

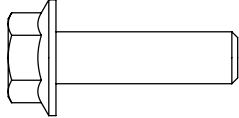
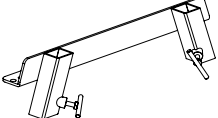
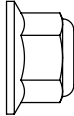
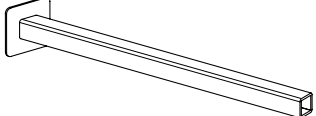


- 1x Replacement Bunk
- 4x M10 x 25 mm
- 4x M10 Lock Nut

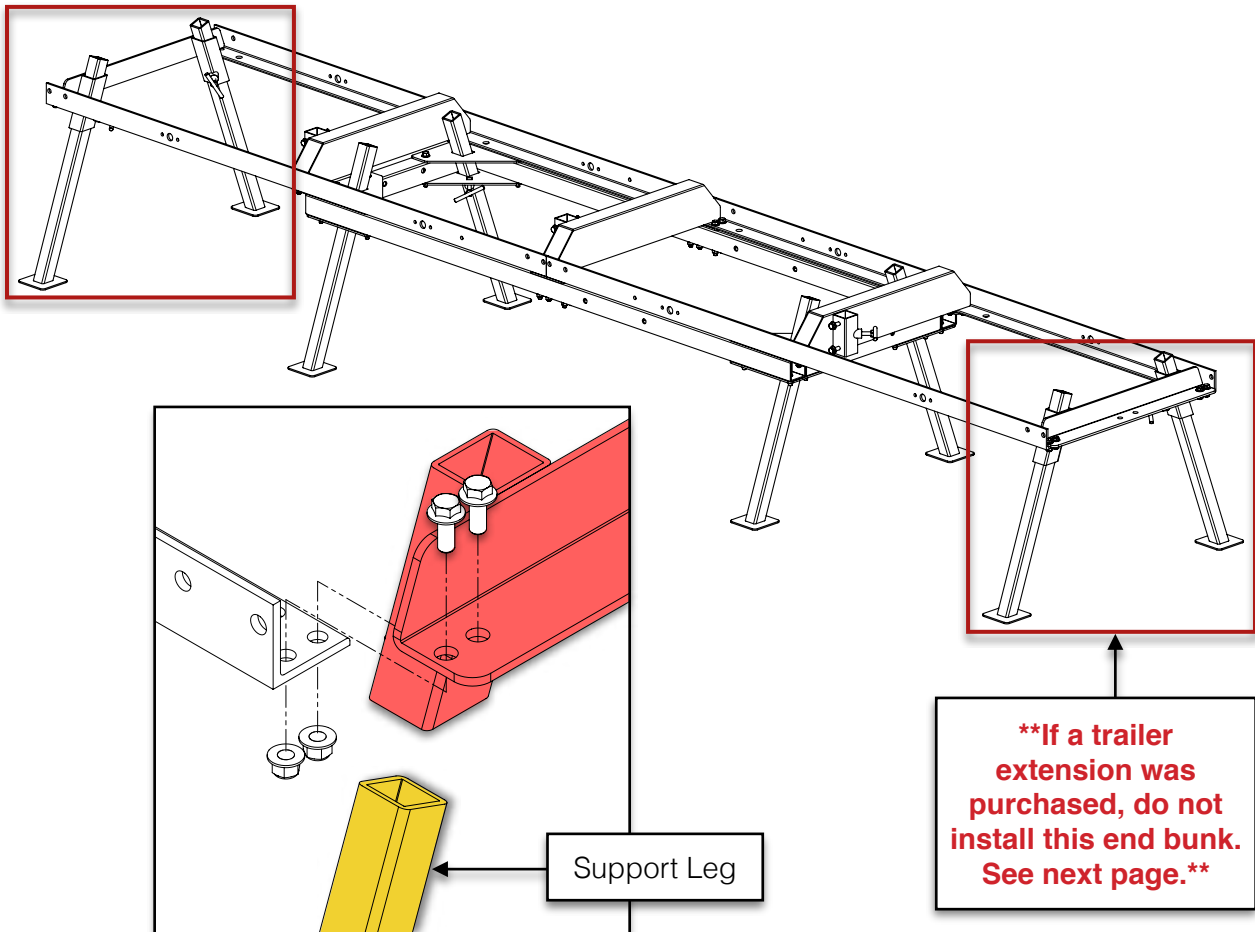


## 7. END BUNKS

Using the following hardware, install the end bunks as shown. Ensure that the support legs are inserted into the leg holder portion of the end bunk prior to attaching the end bunk to the track rails.

8x	M10 X 25 mm Flanged Hex Bolt		2x	End Bunk	
8x	M10 Flanged Lock Nut		4x	Support Leg	

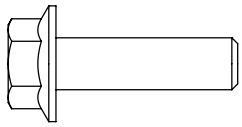
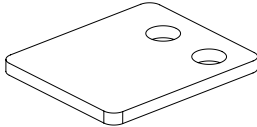
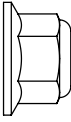
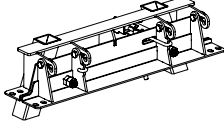
Ensure that the track is 26 in [660 mm] wide, measure diagonally to check for squareness. Torque all bolts from steps 5 to 7 per the table in section, ***BOLT TORQUE SPECIFICATIONS***.



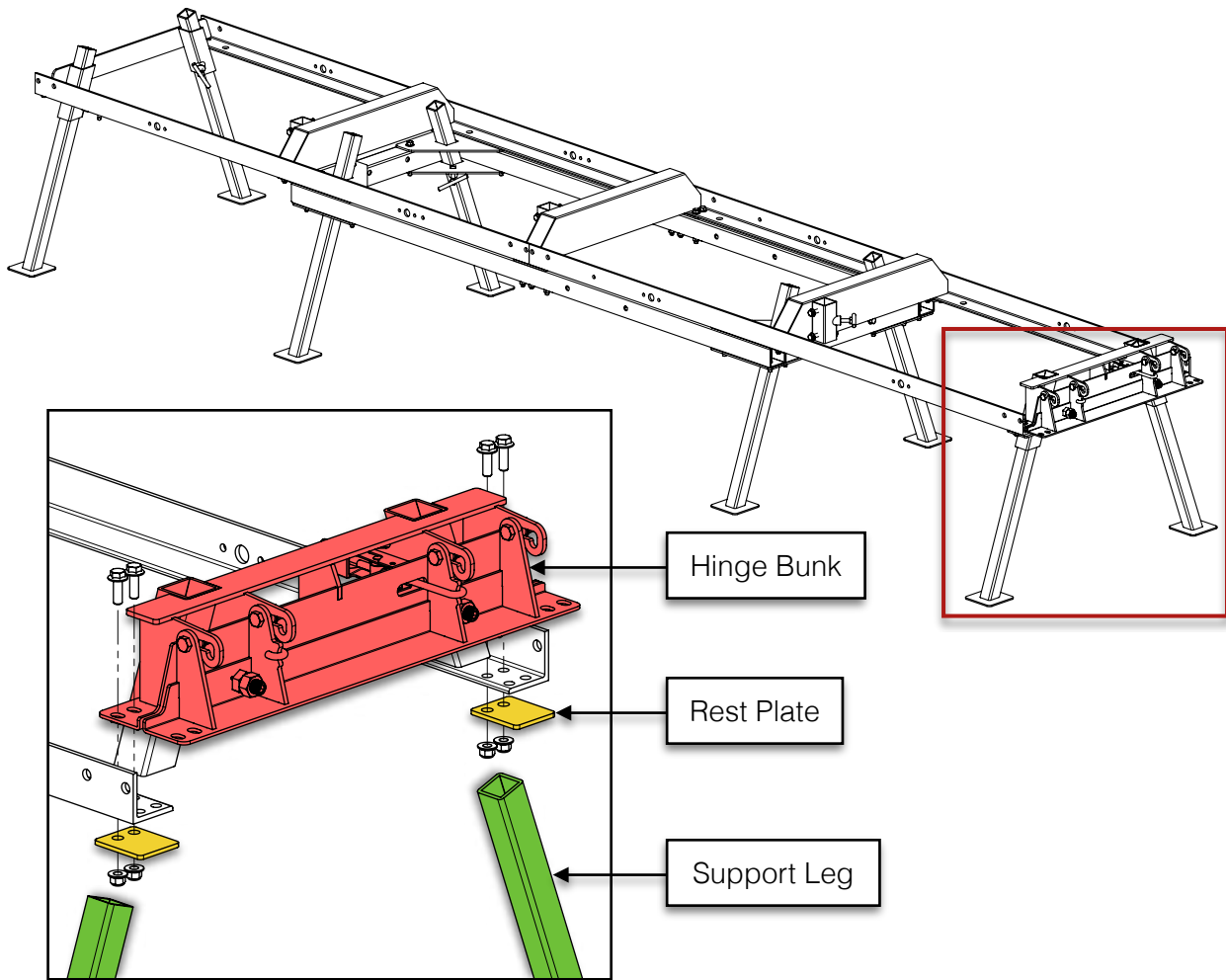




**\*\*Hinge bunk installation—for customers with Bushlander XL trailer extensions only\*\***

4x	M10 X 30 mm Flanged Hex Bolt		2x	Rest Plate	
4x	M10 Flanged Lock Nut		1x	Hinge Bunk	

Assemble the hinge bunk to the rear end of the track rails using four (4) M10 X 30 mm bolt and M10 flanged lock nuts. Ensure the two (2) rest plates are assembled against the bottom face of the track rails.

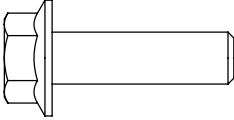
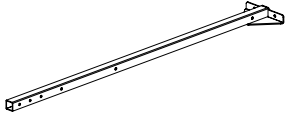
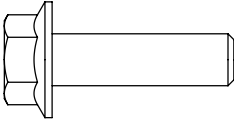
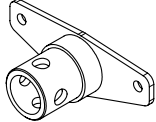
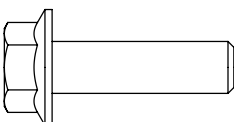
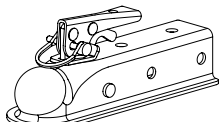
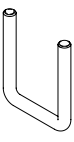
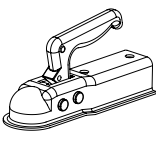
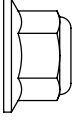
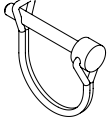


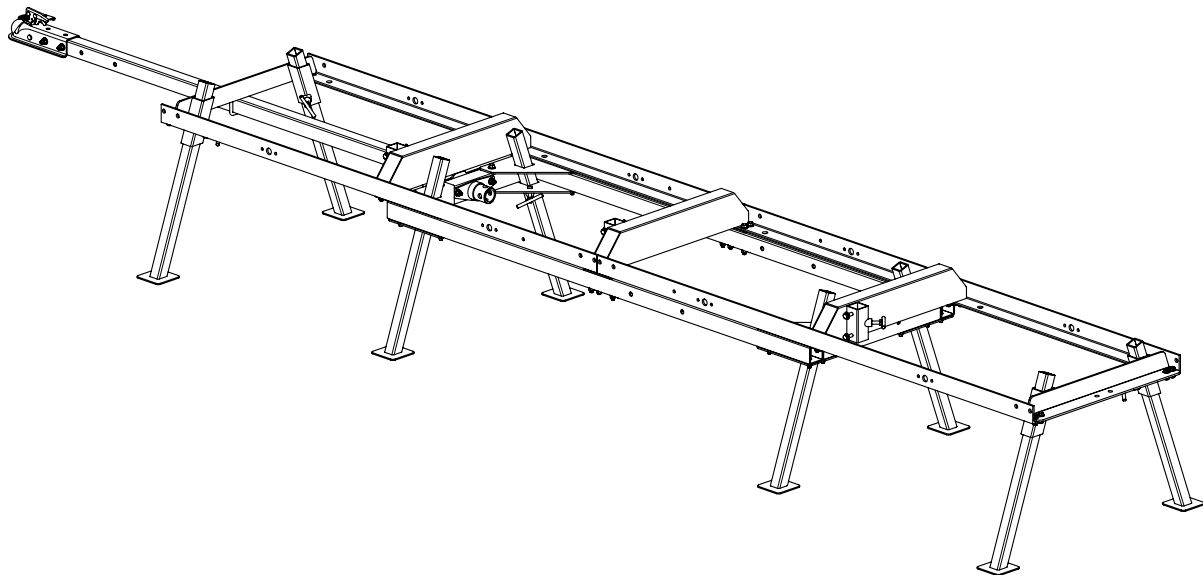
Continue with the trailer assembly after the hinge bunk is installed.

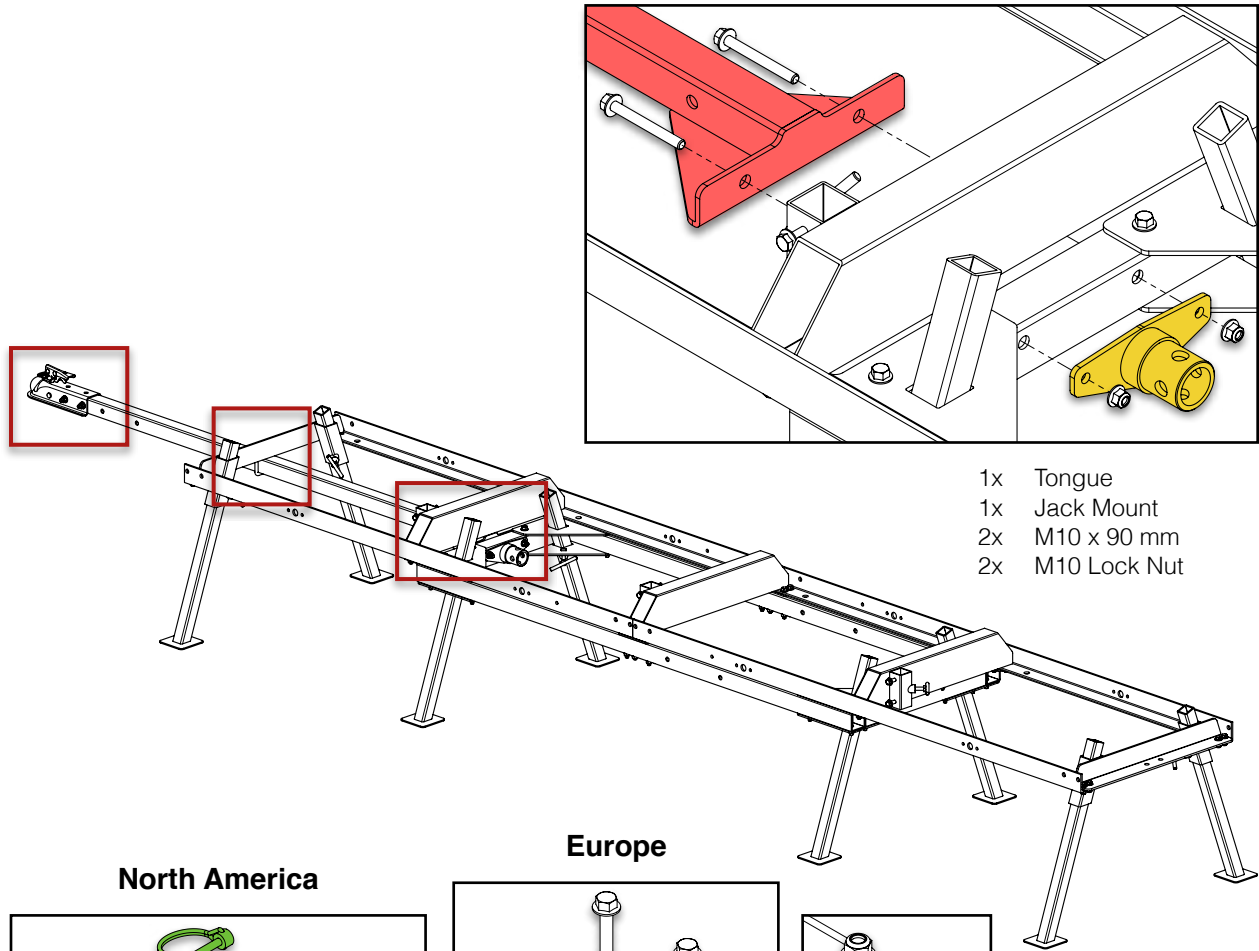


## 8. TONGUE

Using the hardware listed below, install the tongue and the hitch ball coupler as shown. Torque all bolts per the table in section, **BOLT TORQUE SPECIFICATIONS**.

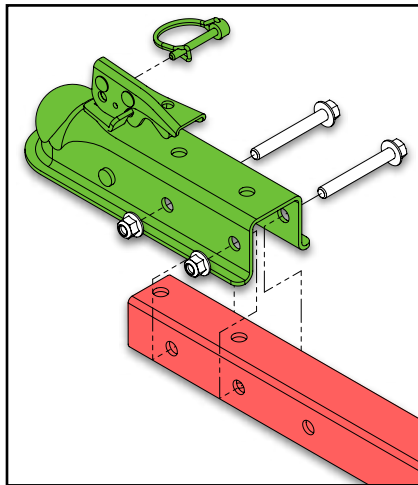
2x	M10 X 90 mm Flanged Hex Bolt		1x	Tongue	
2x	M10 X 80 mm Flanged Hex Bolt [North America]		1x	Jack Mount	
2x	M10 X 70 mm Flanged Hex Bolt [Europe]		1x	Hitch Ball Coupler [North America]	
1x	M10 X 50 X 70 mm U-Bolt		1x	Hitch Ball Coupler [Europe]	
6x	M10 Flanged Lock Nut		1x	Round Locking Pin [North America]	





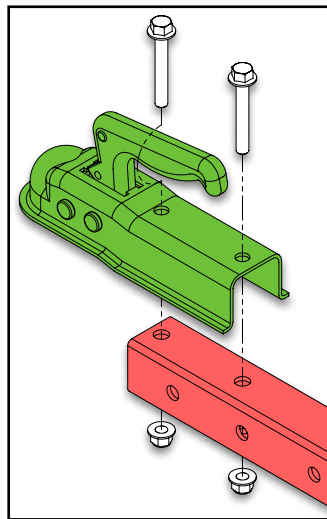
- 1x Tongue
- 1x Jack Mount
- 2x M10 x 90 mm
- 2x M10 Lock Nut

**North America**

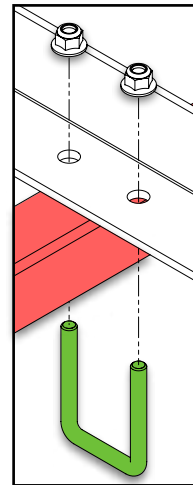


- 1x Hitch Ball Coupler
- 1x Locking Pin
- 2x M10 x 80 mm
- 2x M10 Lock Nut

**Europe**



- 1x Hitch Ball Coupler
- 2x M10 x 70 mm
- 2x M10 Lock Nut

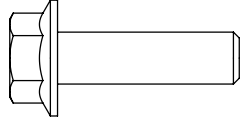
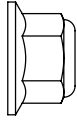

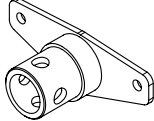


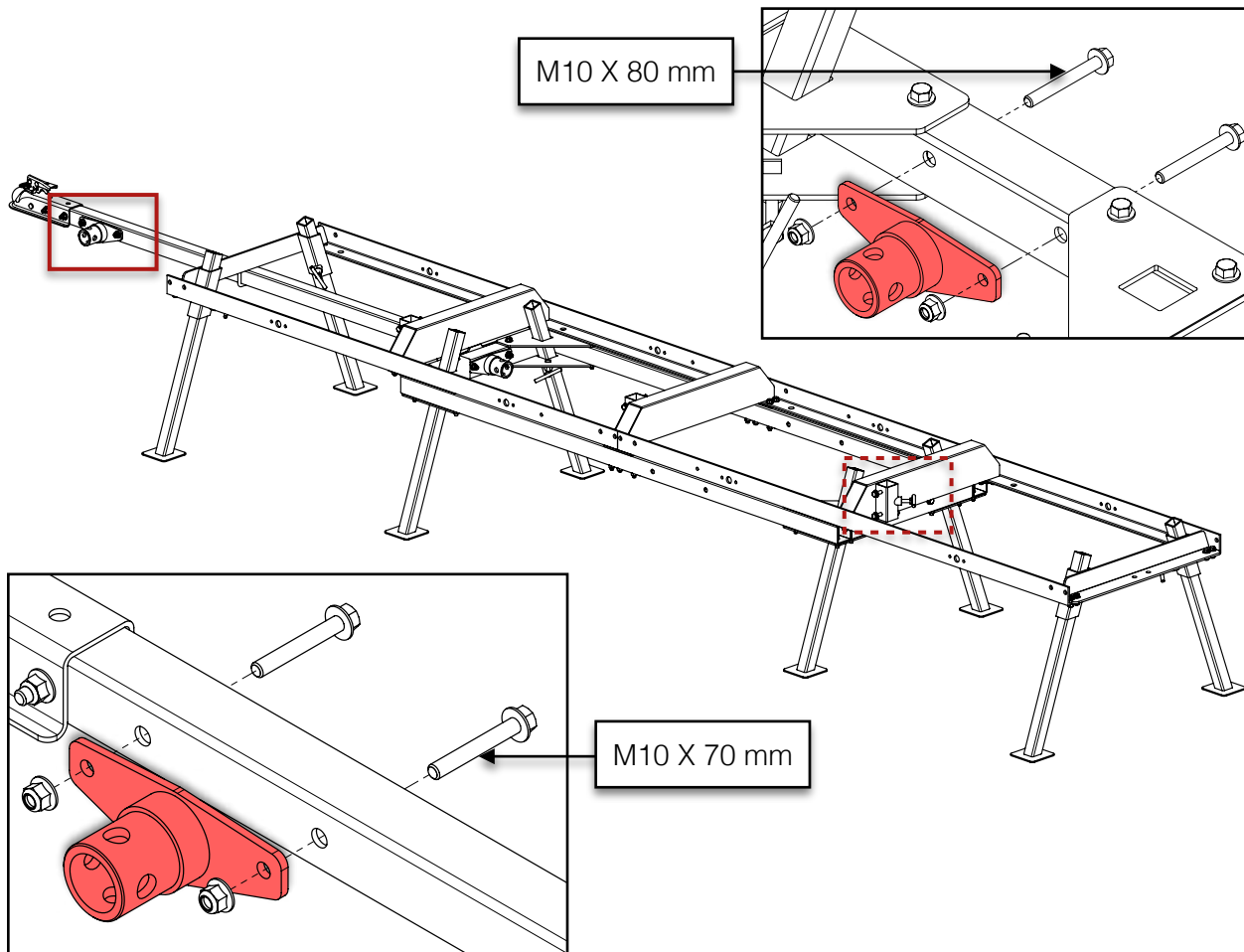
- 1x M10 U-Bolt
- 2x M10 Lock Nut



## 9. JACK MOUNTS

Using the hardware listed below, install the two remaining jack mounts as shown. Torque all bolts per the table in section, **BOLT TORQUE SPECIFICATIONS**.

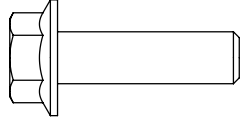
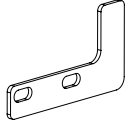

2x	M10 X 80 mm Flanged Hex Bolt		4x	M10 Flanged Lock Nut	
2x	M10 X 70 mm Flanged Hex Bolt		2x	Jack Mount	



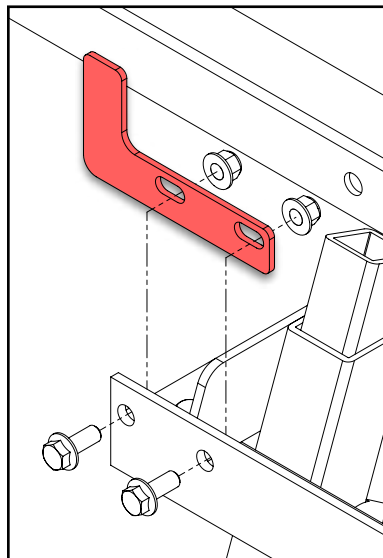
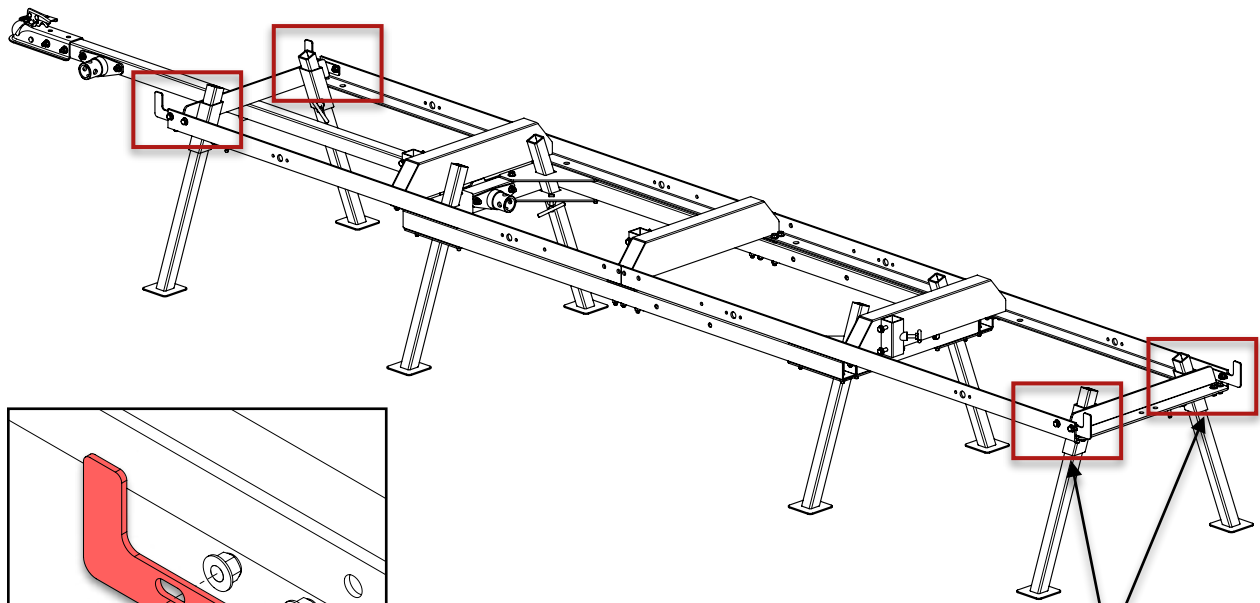


## 10. CARRIAGE STOPS

Using the hardware listed below, install the carriage stops as shown. The carriage stops are not included in this assembly—they are found in the sawmill crate. Torque all bolts per the table in section, **BOLT TORQUE SPECIFICATIONS**.

8x	M10 X 25 mm Flanged Hex Bolt		4x	Carriage Stop	
8x	M10 Flanged Lock Nut				

Note that the carriage stops are assembled to the *inside* face of the track rail.


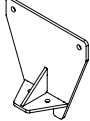
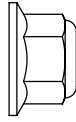


**\*\*If a trailer extension was purchased, do not install these two (2) carriage stops. See section, TRAILER EXTENSION CARRIAGE STOPS.\*\***

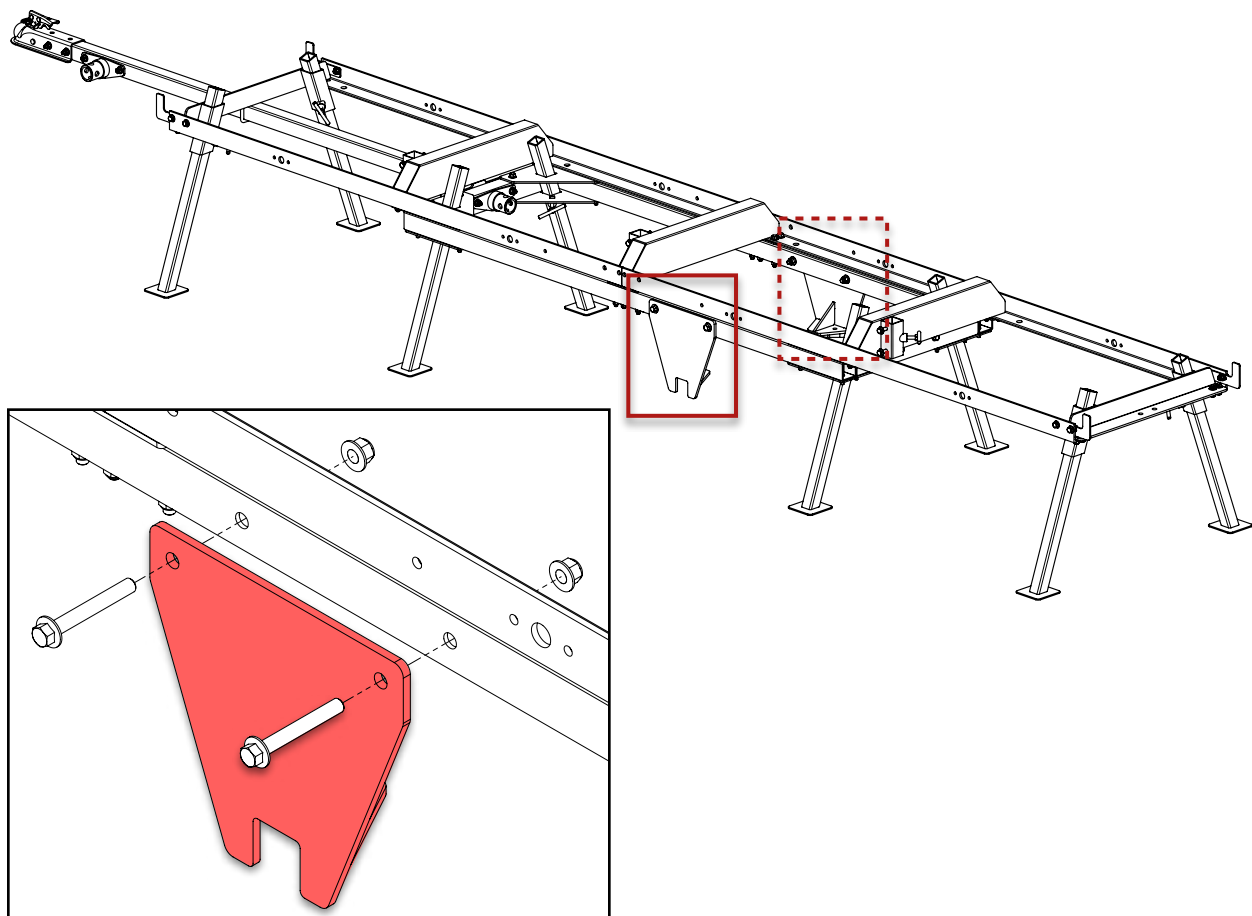


## 11. AXLE BRACKETS

Using the hardware listed below, install the axle brackets as shown. Torque all bolts per the table in section, **BOLT TORQUE SPECIFICATIONS**.

4x	M12 X 90 mm Flanged Hex Bolt		2x	Axle Support	
4x	M12 Flanged Lock Nut				

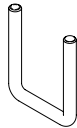
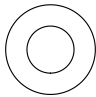

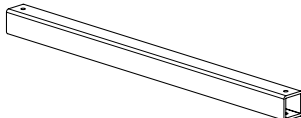
Assemble the axle supports to both side beams as shown below.

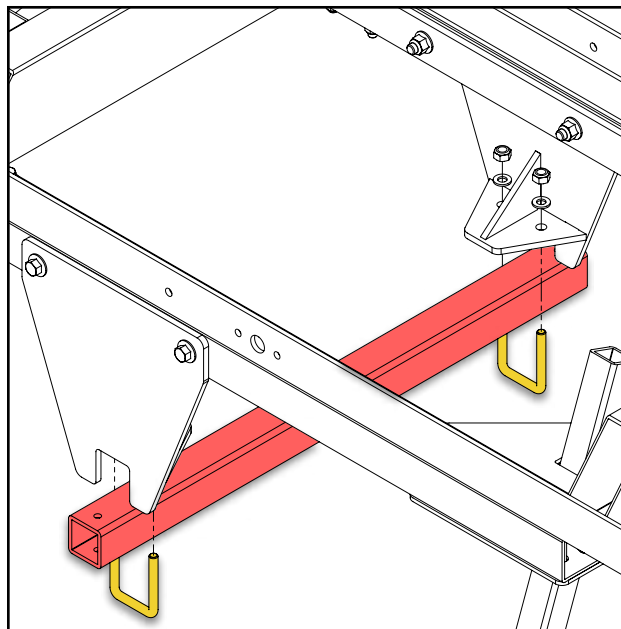
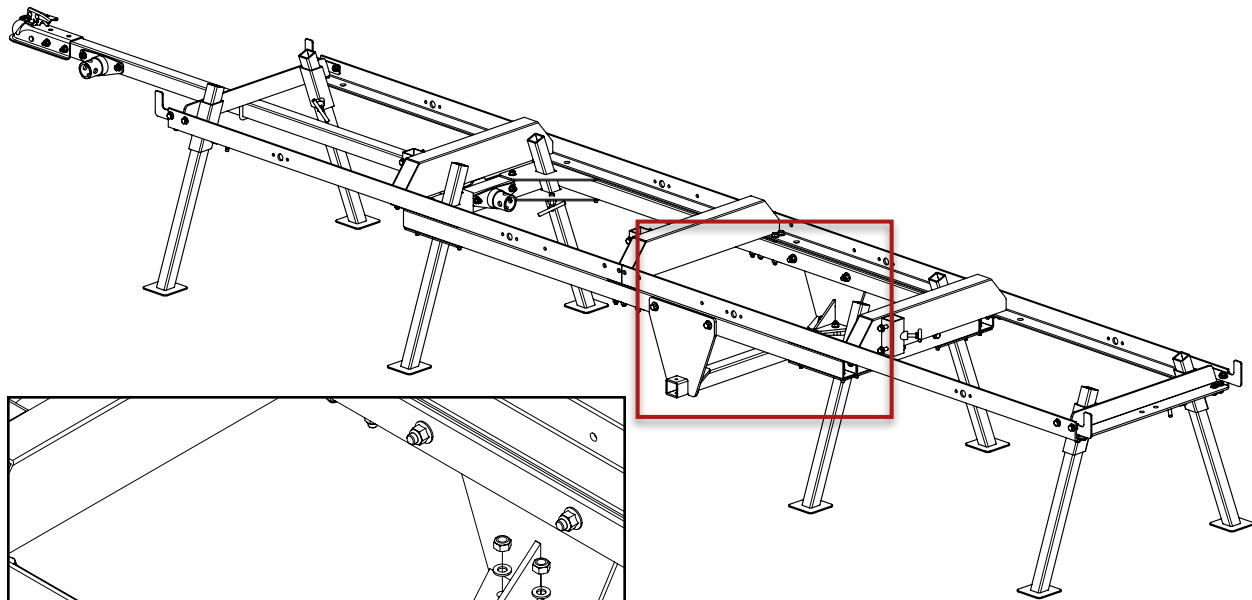




## 12. AXLE HOUSING

Using the hardware listed below, install the axle housing as shown. Torque all bolts per the table in section, **BOLT TORQUE SPECIFICATIONS**.

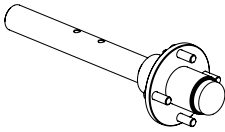
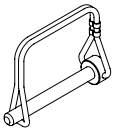
2x	M10 X 50 X 75 mm U-Bolt		4x	M10 Flat Washer	
4x	M10 Flanged Lock Nut		1x	Axle Housing	

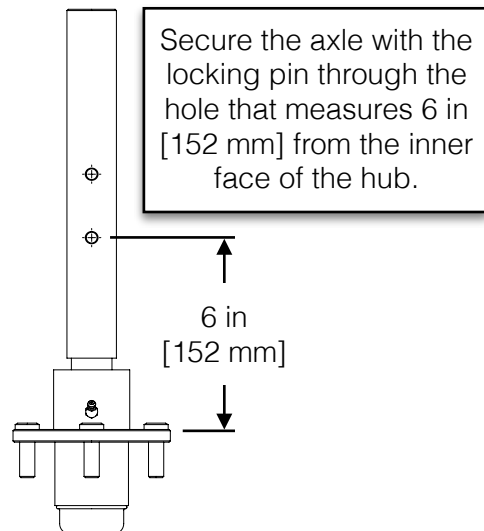
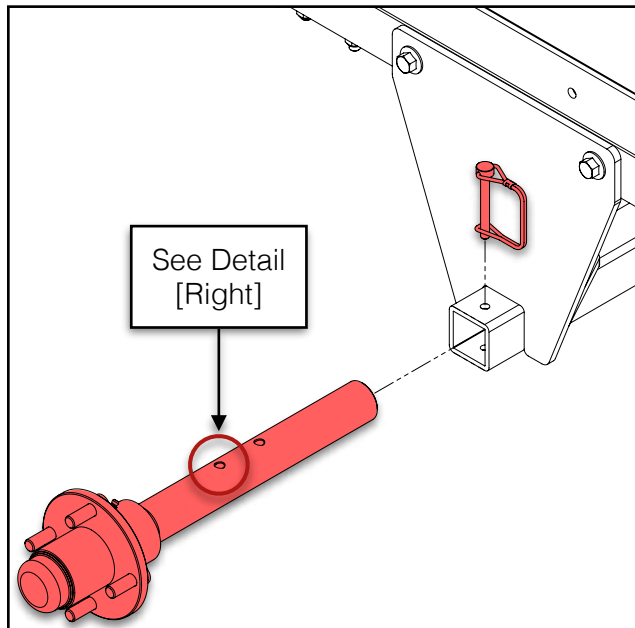
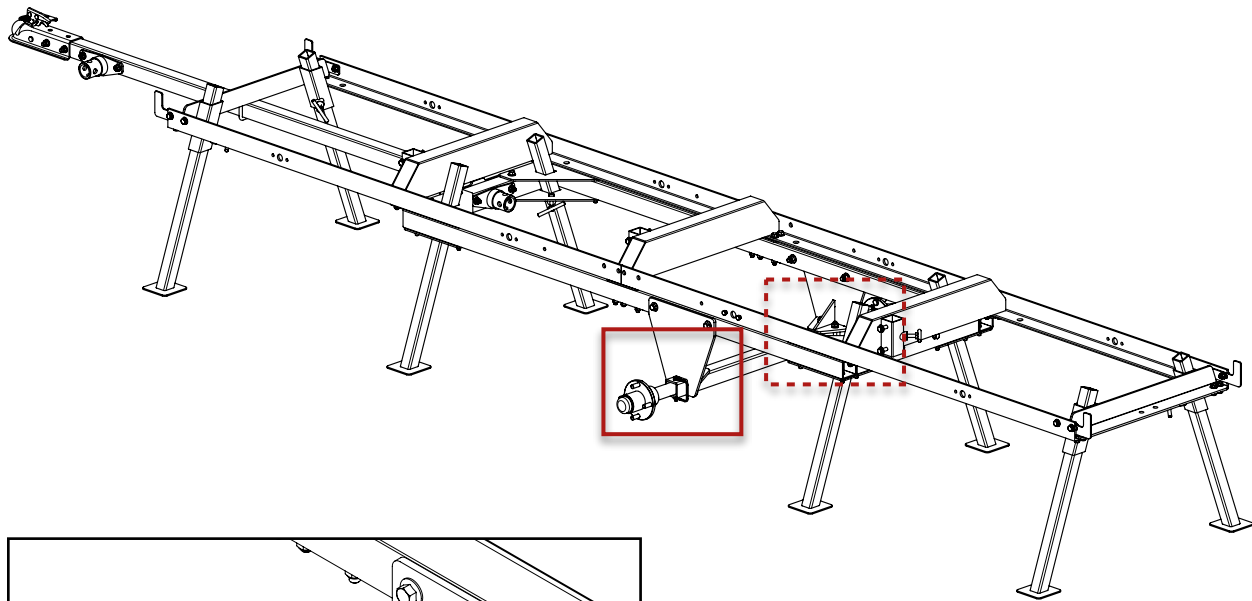




### 13. AXLES

Using the hardware listed below, install the axles in the axle housing. Note that during milling, the axle can be removed by reversing this step. Torque all bolts per the table in section, ***BOLT TORQUE SPECIFICATIONS***.

2x	Axle Assembly		2x	Square Locking Pin	
----	---------------	---	----	--------------------	---

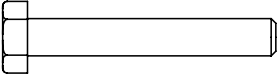
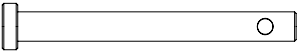
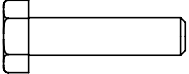
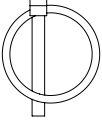
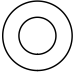
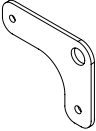




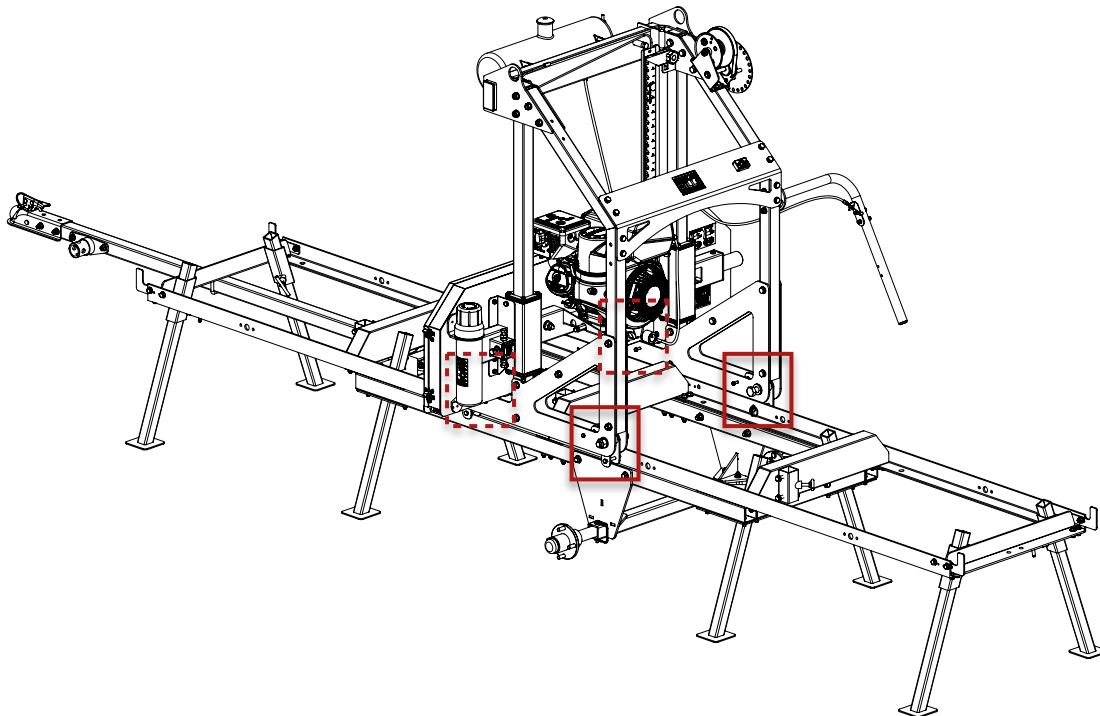




## 14. HEAD LOCK-DOWN PLATES

Place the assembled sawhead on the trailer. Using the hardware listed below, install the head lock down plates as shown on the next page. Torque all bolts per the table in section, ***BOLT TORQUE SPECIFICATIONS***.

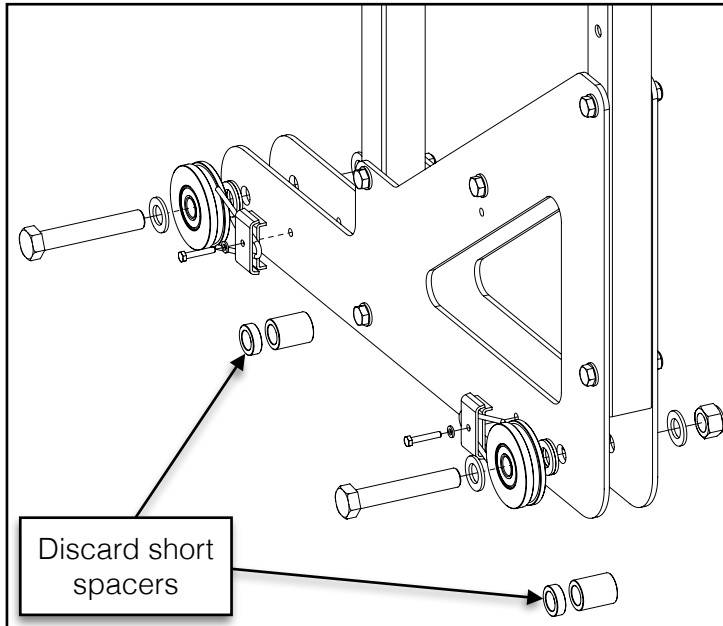
4x	M6 X 40 mm Hex Bolt		4x	Lock-Down Pin	
4x	M6 X 25 mm Hex Bolt		4x	Linch Pin	
16x	M6 Flat Washer		8x	Head Lock-Down Plate	
8x	M6 Lock Nut		1x	3/8" Drill Bit	





## LOCK-DOWN PLATE INSTALLATION

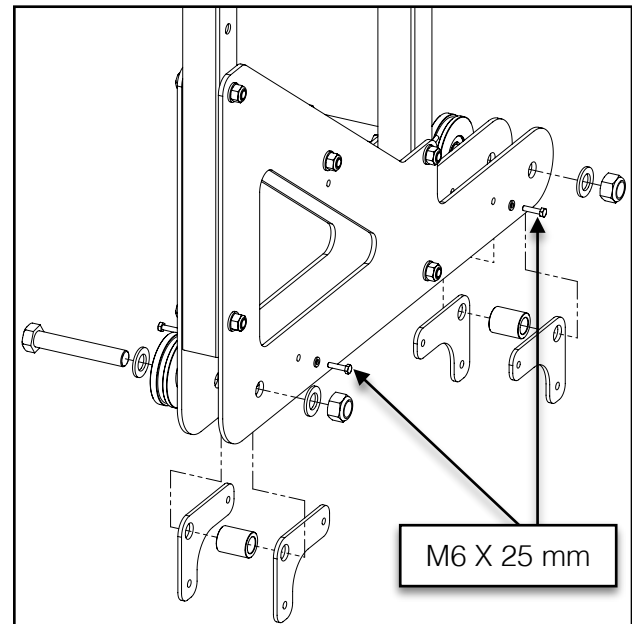
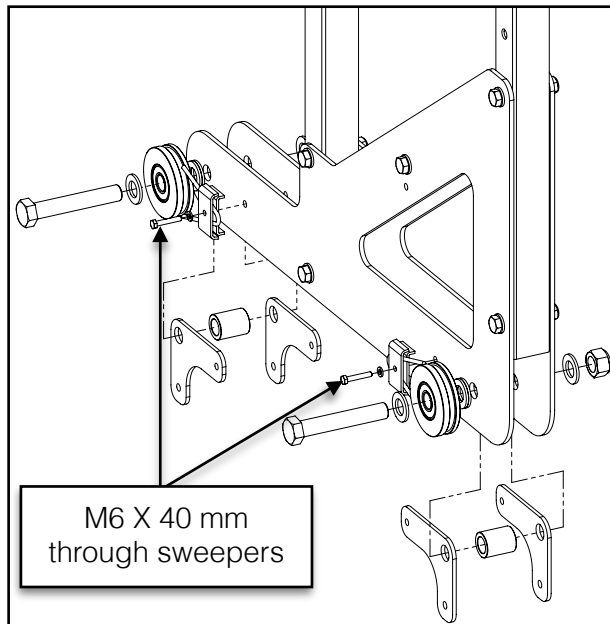
Remove the eight (8) spacers from the carriage wheel axles and discard the four (4) short spacers. Only the four (4) tall spacers will be reused in the next steps.



Older model sawmills (pre-2020) used a single spacer design between the carriage plates.

Replace these with the supplied spacer kit—part number 0003702.

Using the provided M6 X 40 mm and M6 X 25 mm bolts, install the lock-down plates in place of the short spacers with the taller spacer sandwiched between the carriage plates. Reuse the four (4) M6 flat washers from the wheel sweepers on the sawmill when replacing the bolts.

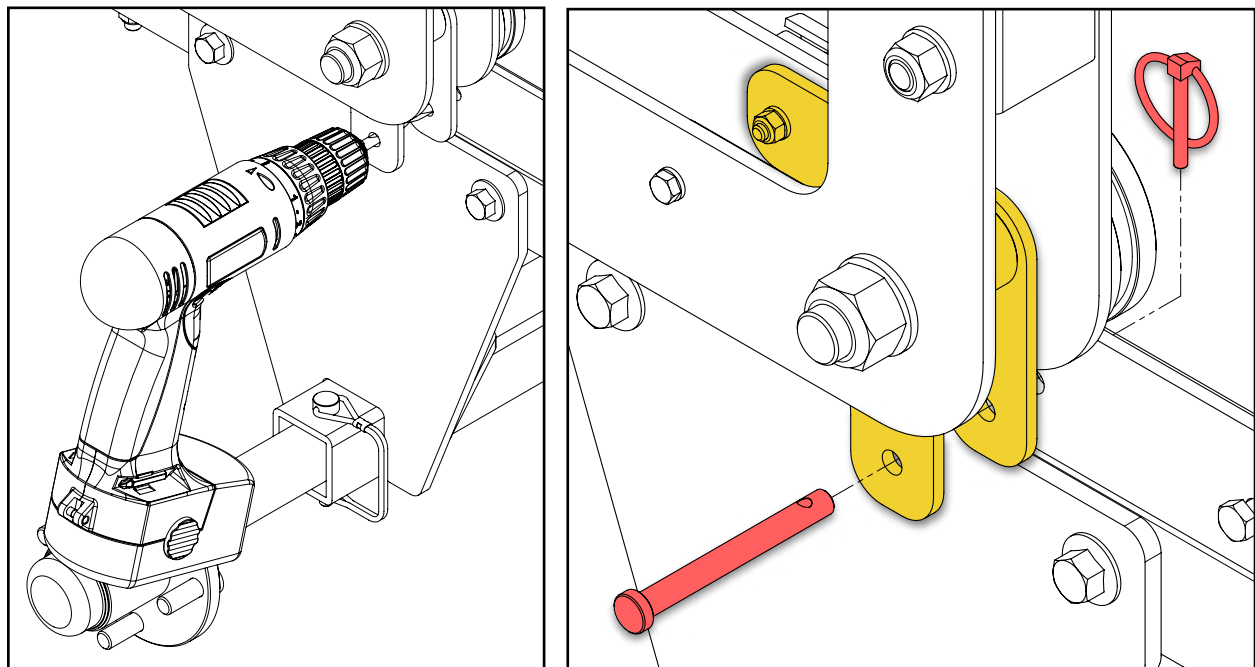
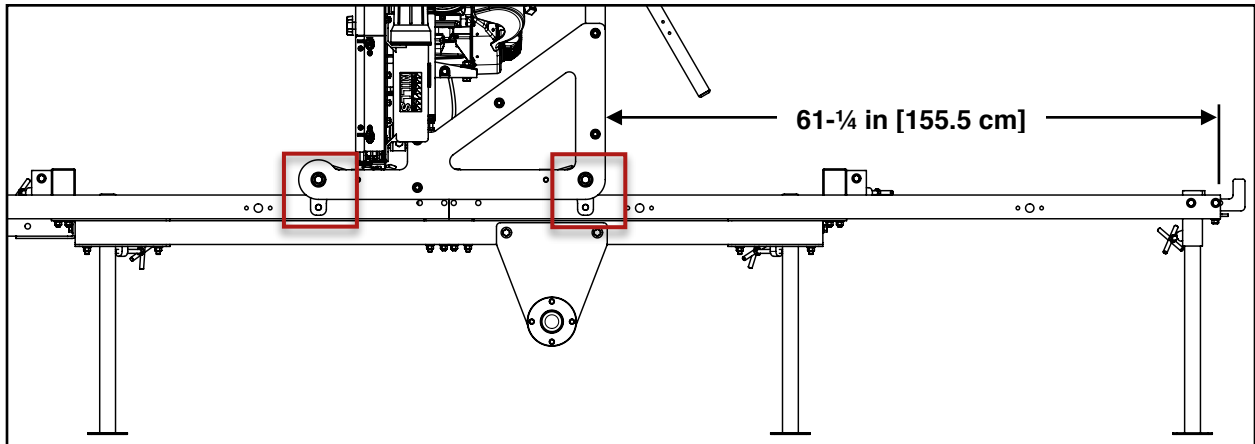




## DRILLING LOCK-DOWN HOLES FOR STANDARD TRAILER

**\*\*Do not drill the holes below for the lock-down brackets if a Bushlander™ XL trailer extension was purchased. Follow the directions in the [section](#) on the next page.\*\***

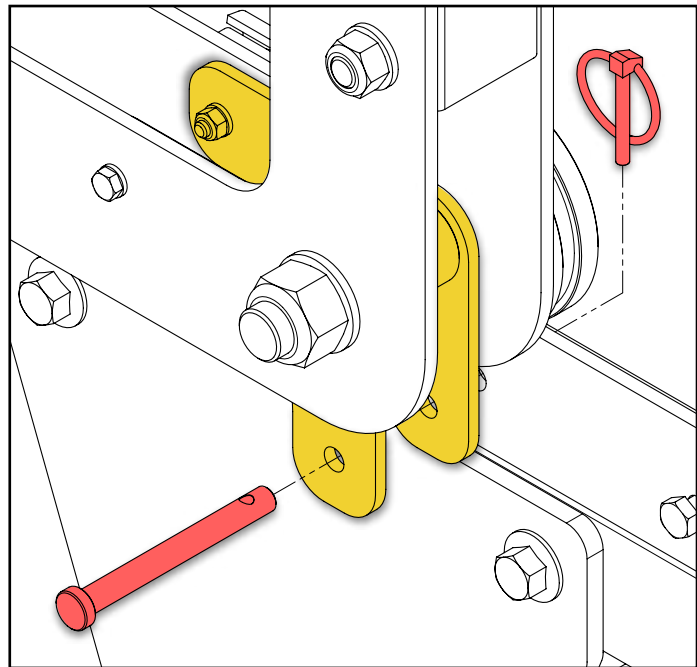
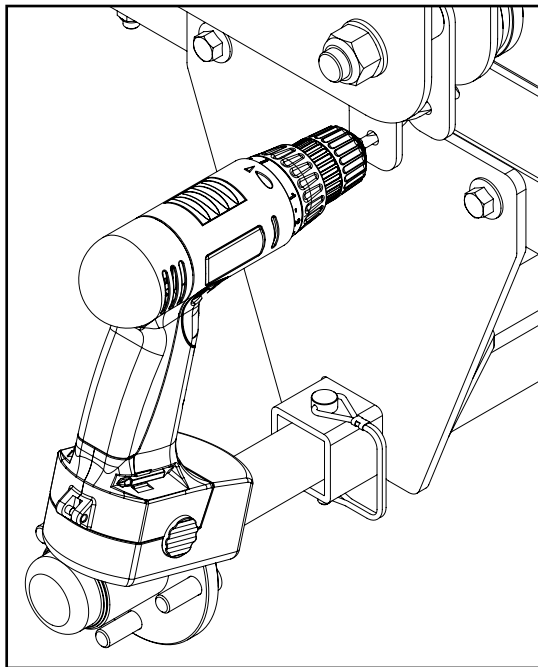
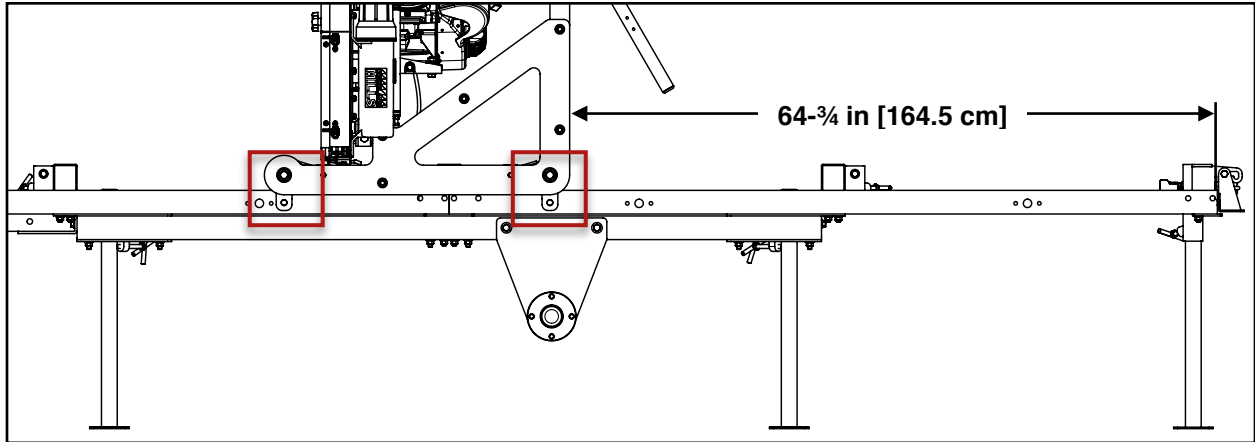
Place the sawhead on the trailer ensuring it rolls freely along the rails. Measure 61-¼ in [155.5 cm] from the rear edge of the track rail—not the carriage stop—to the rear post of the sawhead and drill four (4) holes in the track rails using the provided ⅜ in drill bit. Insert a locking pin into each hole as they are drilled. Secure each locking pin with a linch pin.



## DRILLING LOCK-DOWN HOLES FOR TRAILER EXTENSION

**\*\*Do not drill the holes below for the lock-down brackets if no trailer extension was purchased. These apply to owners with Bushlander™ XL trailer extensions only.\*\***


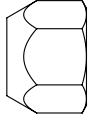

Place the sawhead on the trailer ensuring it rolls freely along the rails. Measure 64-¾ in [164.5 cm] from the rear edge of the track rail to the rear post of the sawhead and drill four (4) holes in the track rails using the provided ⅜ in drill bit. Insert a locking pin into each hole as they are drilled. Secure each locking pin with a linch pin.

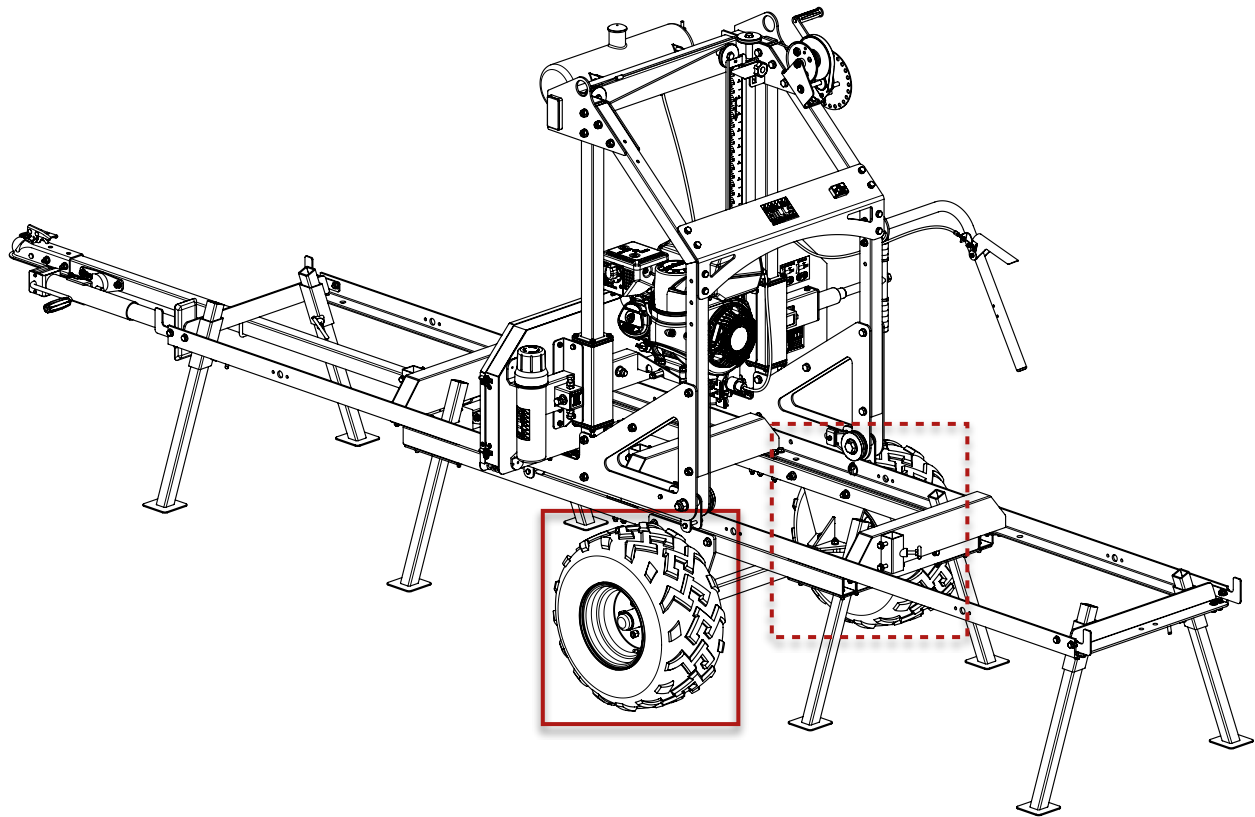




## 15. WHEELS

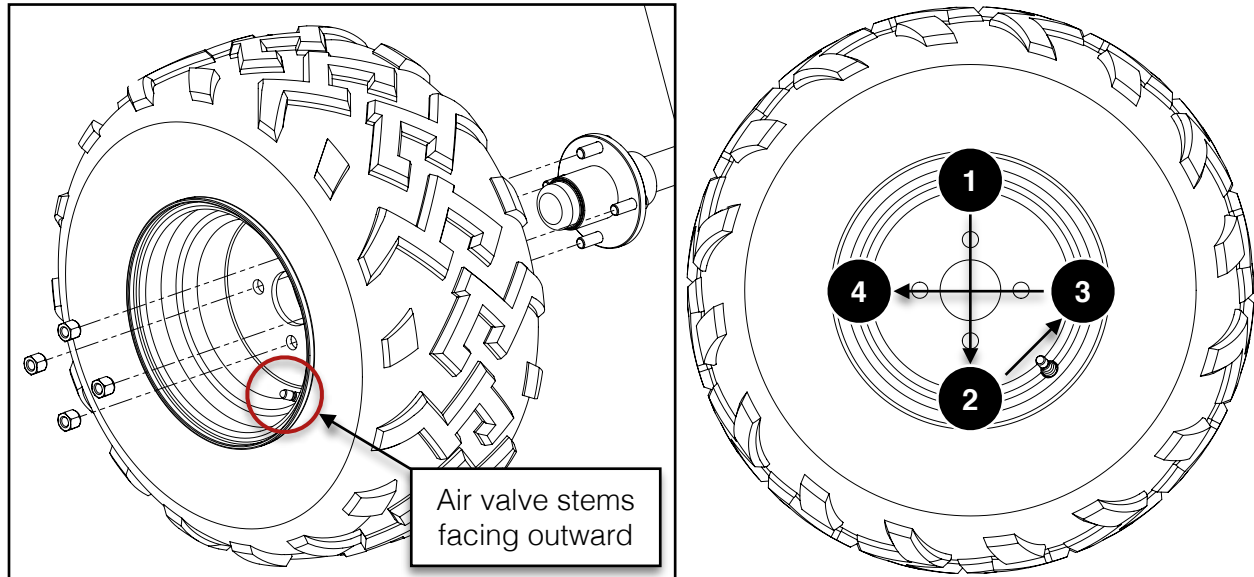
Using the hardware listed below, install the tires on the axles. Note the orientation of the left and right tire tread pattern. Using a torque wrench, torque the lug nuts to 80 ft•lb [110 N•m] following the pattern shown on the next page.

1x	22X11-10 Wheel [Left]		10x	1/2-20 Lug Nut	
1x	22X11-10 Wheel [Right]				

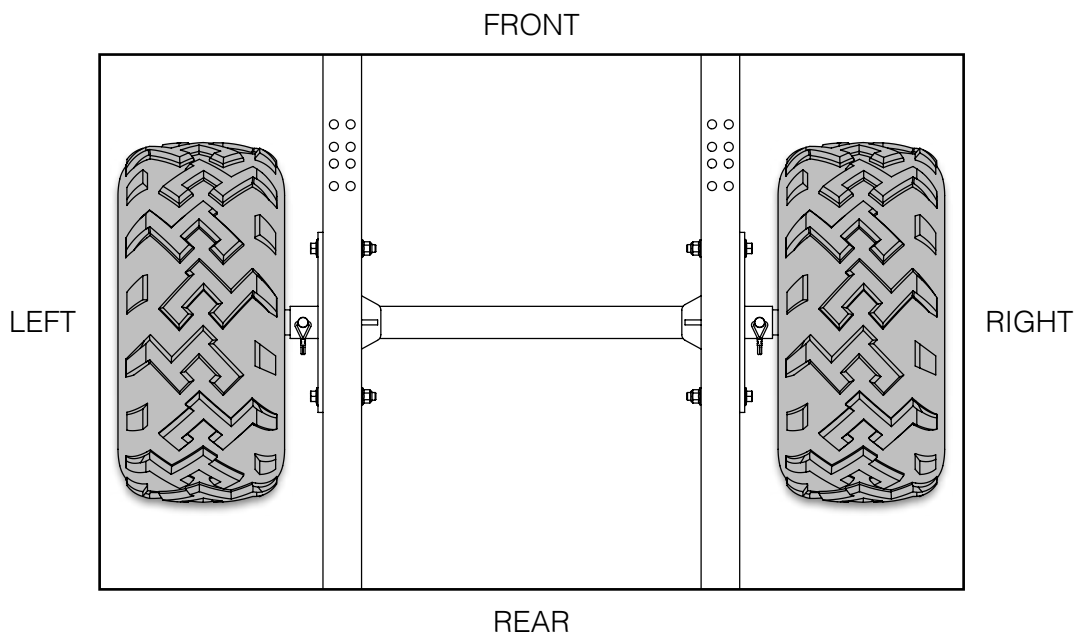




The tread pattern is different for both the left and right tires. When mounting the wheels, ensure the air valve stems face outward. Tighten the lug nuts following the 4-bolt pattern shown in the diagram below. Note that the tapered/conical end of the lug nut points toward the rim.



With the wheels mounted properly, the tread patterns should now be oriented as shown below.



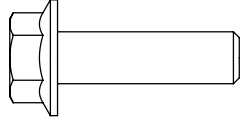
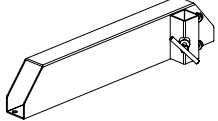
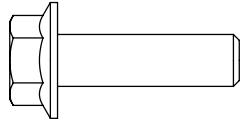
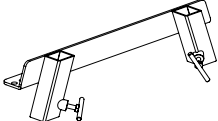
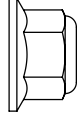
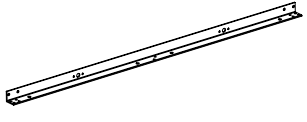


# TRAILER EXTENSION ASSEMBLY

**\*\*The Trailer Extension Assembly sections only apply to customers with Bushlander™ XL trailer extensions.\*\***

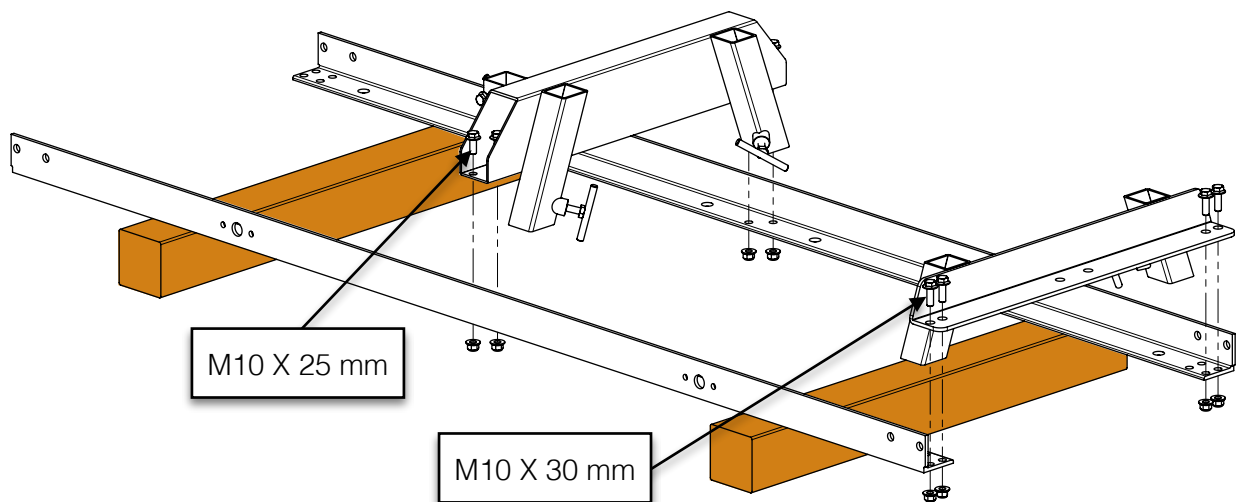
## 1. TRAILER EXTENSION TRACK

Using the hardware and components listed below, assemble the trailer extension track.

4x	M10 X 30 mm Flanged Hex Bolt		1x	Log Bunk	
4x	M10 X 25 mm Flanged Hex Bolt		1x	End Bunk	
8x	M10 Flanged Lock Nut		2x	Track Rail	

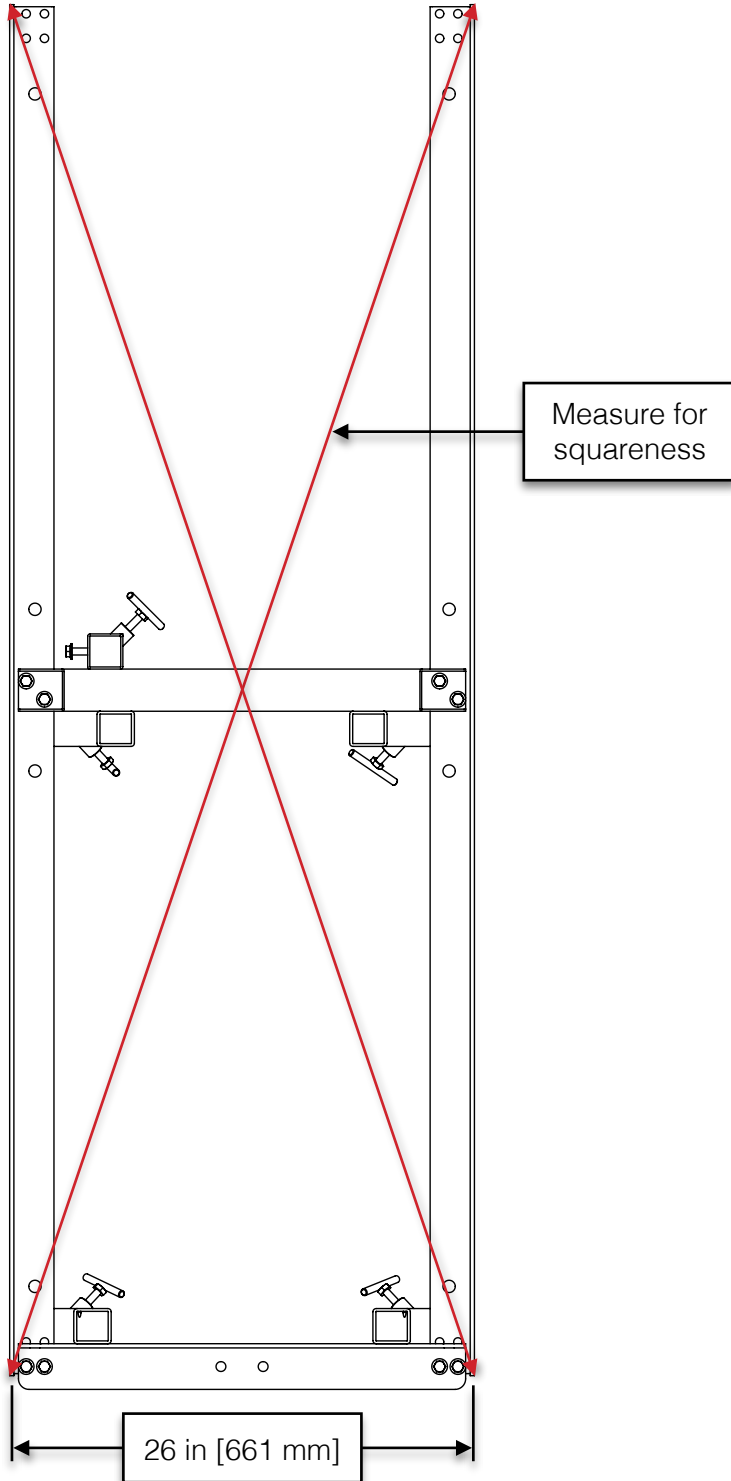
Assemble the trailer extension on wood blocks for ease of assembly. Assemble the log bunk (middle) to the track rails using four (4) M10 X 25 mm hex bolts and M10 lock nuts. Assemble the end bunk using four (4) M10 X 30 mm hex bolts and M10 lock nuts.

Do not fully tighten the hardware until it is squared as shown on the next page.





With the extension loosely assembled, verify the width of the track is 26 in [661 mm] by measuring from the outside faces of the rails. Then measure diagonally across the rails, verifying the track is square. Once square and at the correct width, tighten all the hardware.

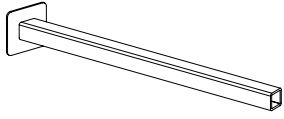




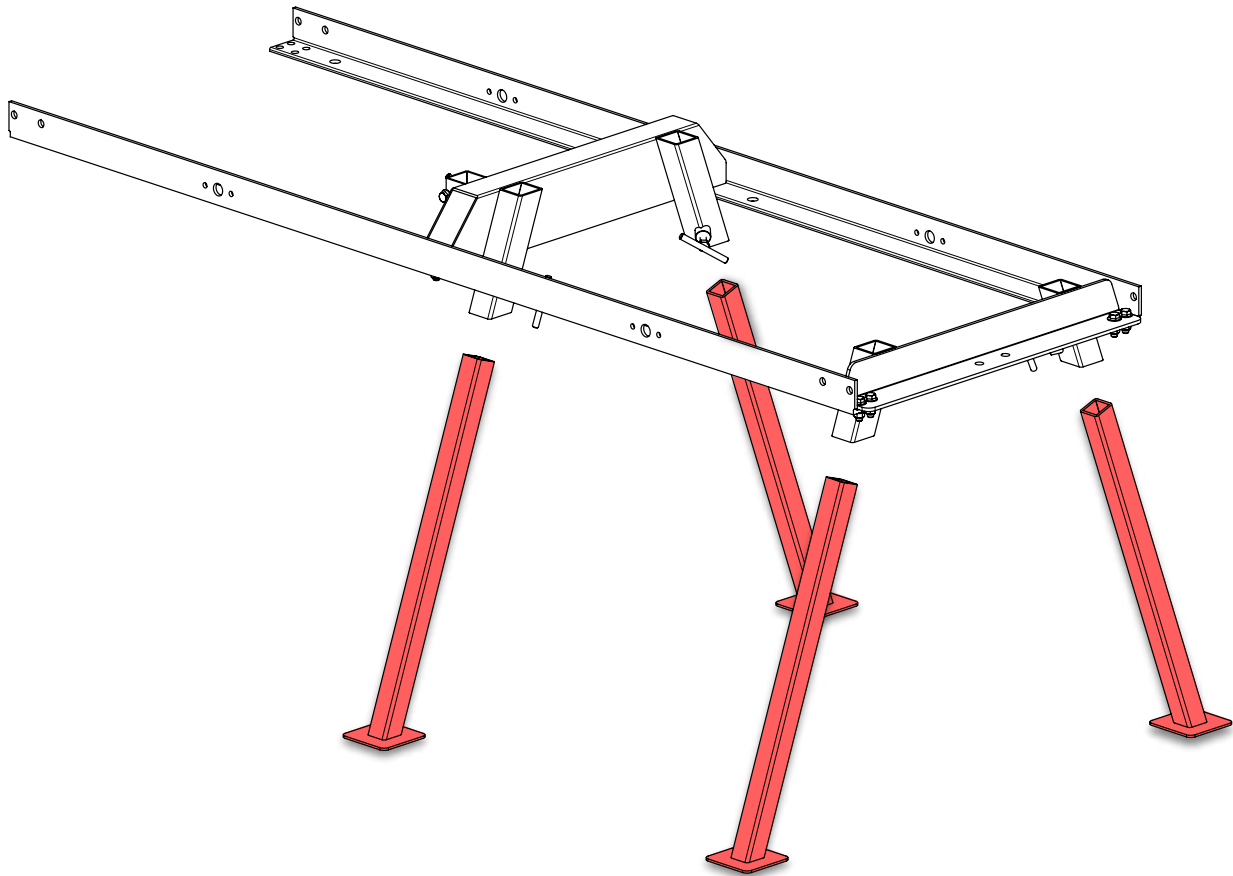


## 2. TRAILER EXTENSION SUPPORT LEGS

Assemble the components listed below to the trailer extension.

4x	Support Leg	
----	-------------	---


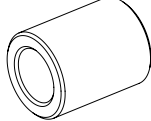

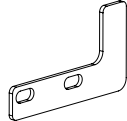

Lift one end of the track assembly and slide two (2) support legs up through the bottom of the tube sleeves in the end bunk. Secure the legs in place using the T-bolts on the bunk. Then lift the other end, insert the two (2) remaining legs into the middle log bunk, and level the track. Tighten the T-bolts once level.



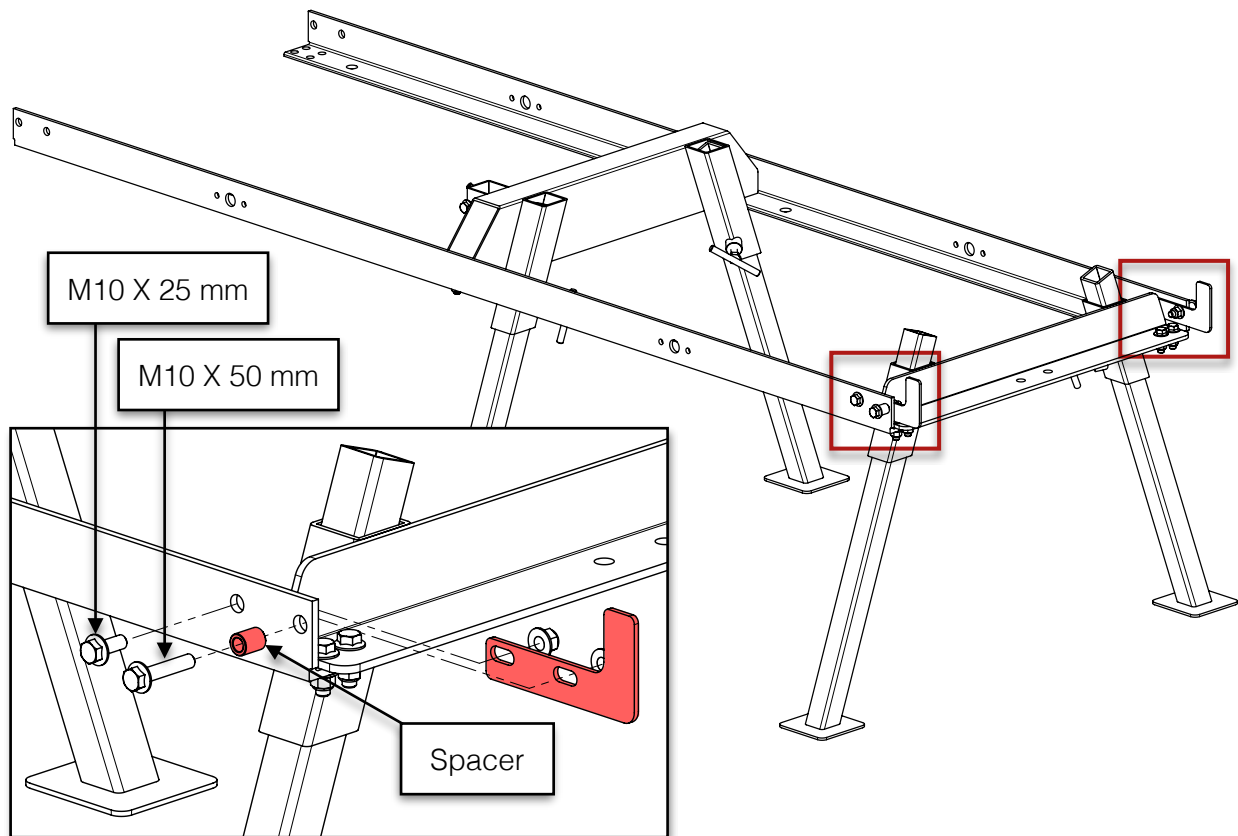


### 3. TRAILER EXTENSION CARRIAGE STOPS

Using the hardware listed below, assemble the carriage stops to the end of the track rails where the end bunk is located.

2x	M10 X 50 mm Flanged Hex Bolt		2x	Spacer	
2x	M10 X 25 mm Flanged Hex Bolt		2x	Carriage Stop	
4x	M10 Flanged Lock Nut				

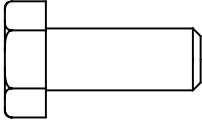
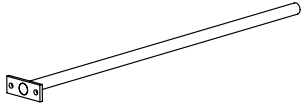
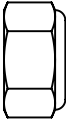
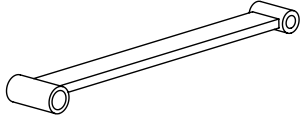
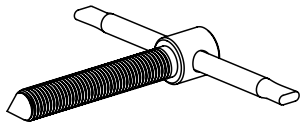
Assemble the carriage stops to the inside of the track rails. Use an M10 X 50 mm bolt with a spacer on the outermost hole of each rail.



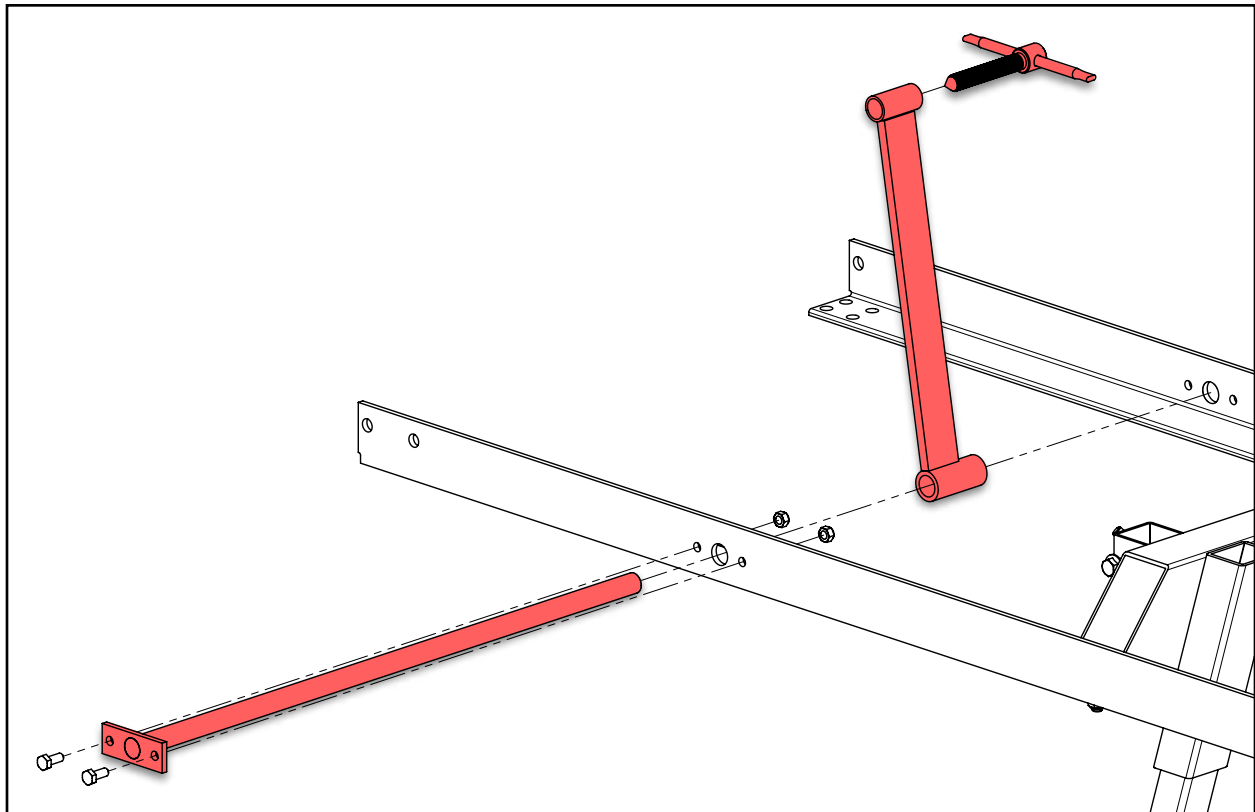


## 4. TRAILER EXTENSION LOG CLAMP

Using the hardware listed below, assemble the log support to the trailer extension.

2x	M8 X 20 mm Hex Bolt		1x	Log Clamp Connecting Rod	
2x	M8 Lock Nut		1x	Log Clamp Arm	
			1x	Log Clamp	


Attach the log dog assembly to the trailer extension in the location shown below using the two (2) M8 hex bolts and lock nuts.





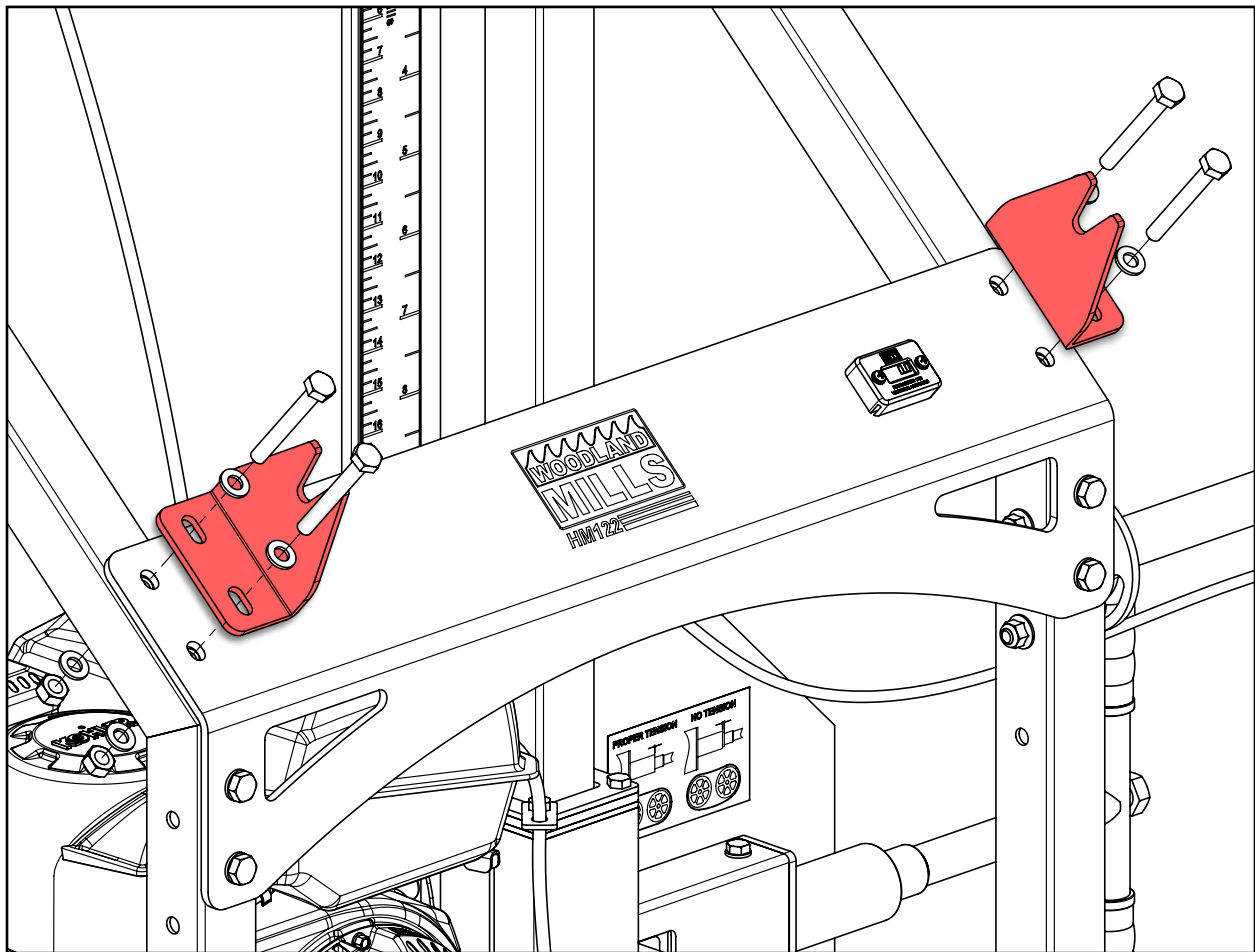
## 5. TRAILER EXTENSION LOCK-DOWN BRACKETS

Using the components listed below, assemble the trailer extension lock-down brackets to the dashboard using existing hardware from the sawmill.

2x	Extension Lock-Down Bracket	
----	-----------------------------------	---

Remove the four (4) M10 X 80 mm hex bolts, flat washers, and lock nuts used to secure the upper portion of the dashboard to the carriage posts. Reuse the same hardware to secure the two (2) lock-down brackets to the dashboard.

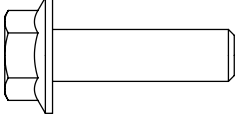
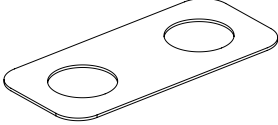
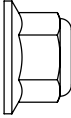
Do not fully tighten the hardware. The brackets may require adjustment when the carriage lock-down position is finalized in step **TRAILER EXTENSION LOCK-DOWN**.

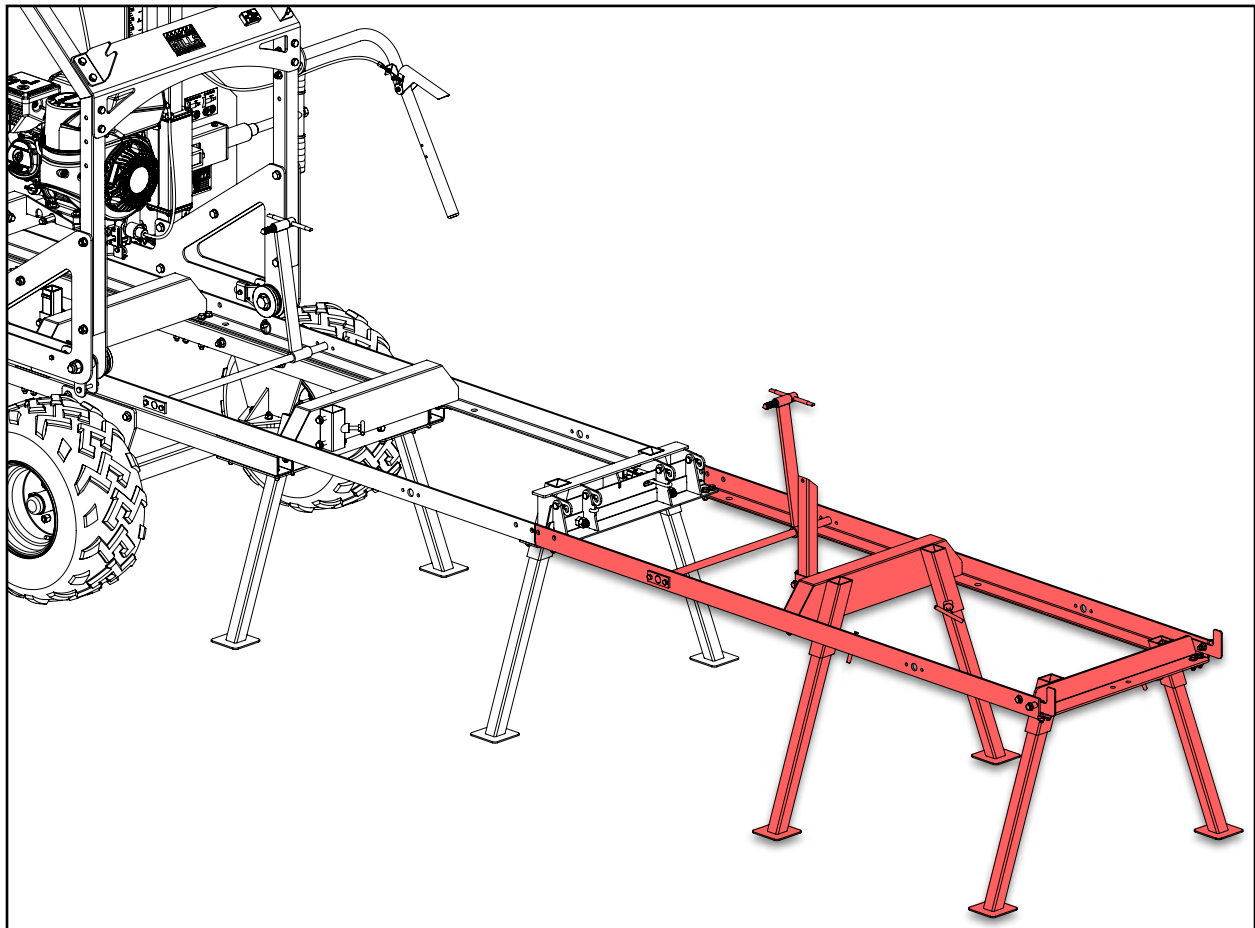




## 6. TRAILER EXTENSION-TO-TRAILER

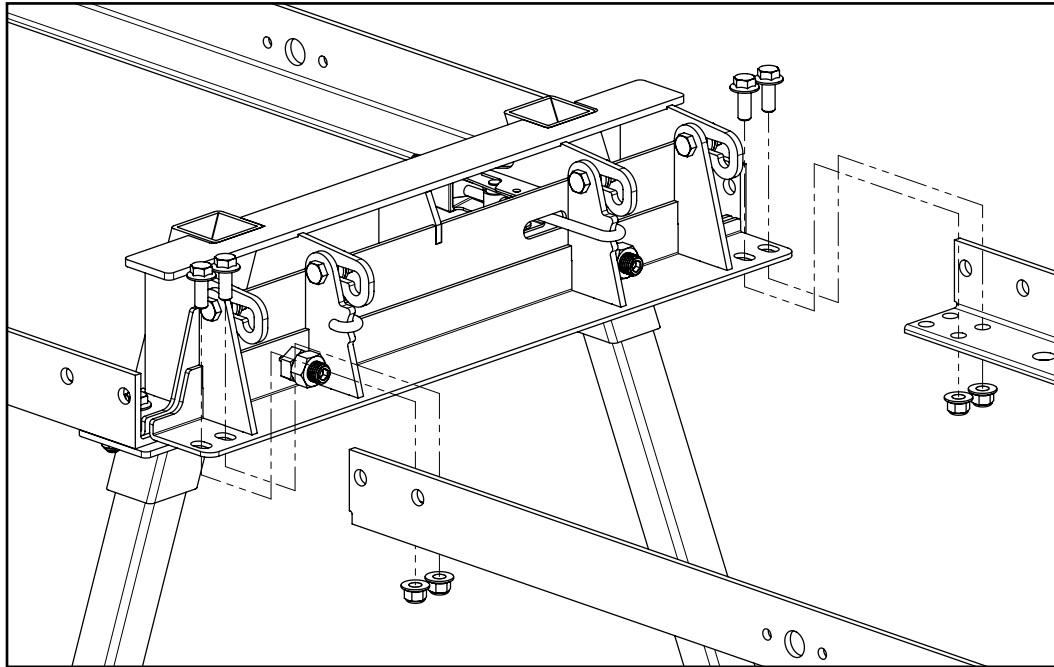
Using the hardware listed below, join the extension to the main trailer.

4x	M10 X 25 mm Flanged Hex Bolt		[6x]	Hinge Bunk Shim [Optional]	
4x	M10 Flanged Lock Nut				

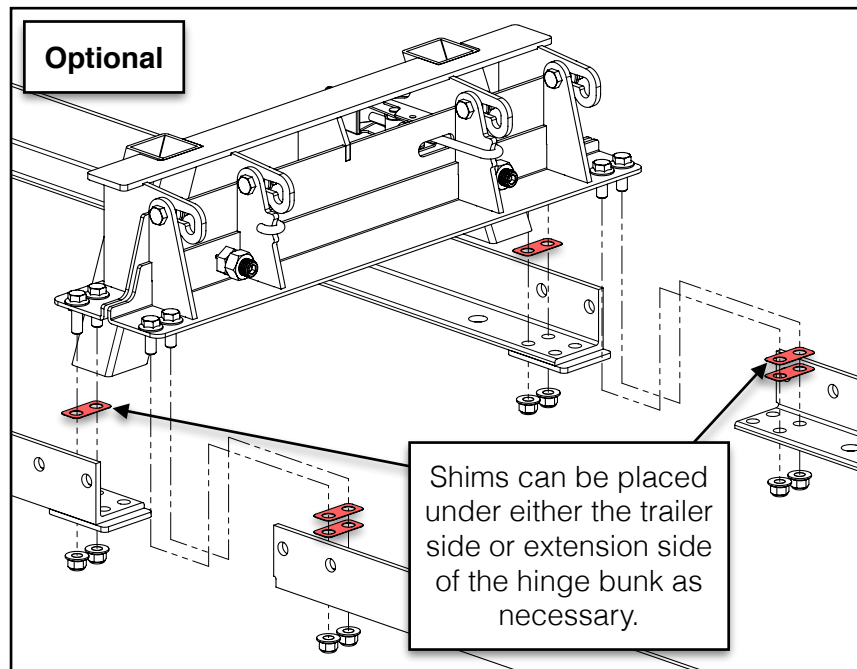




Assemble the open end of the extension track rails to the hinge bunk using four (4) M10 X 25 mm bolts and M10 lock nuts.

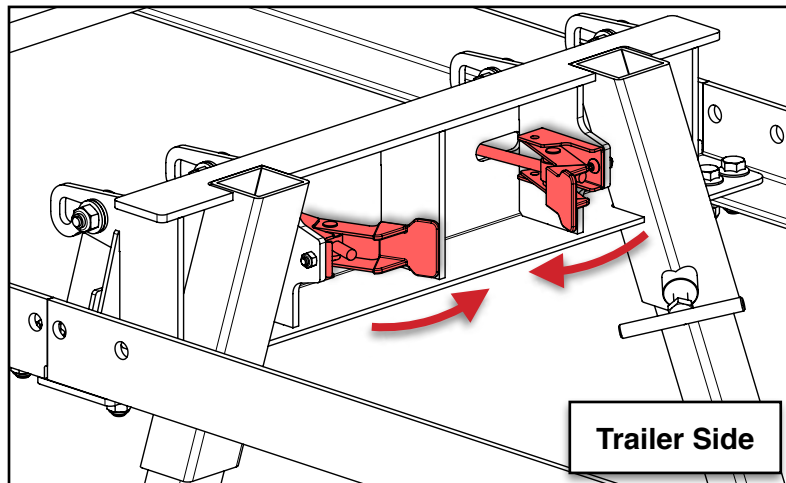
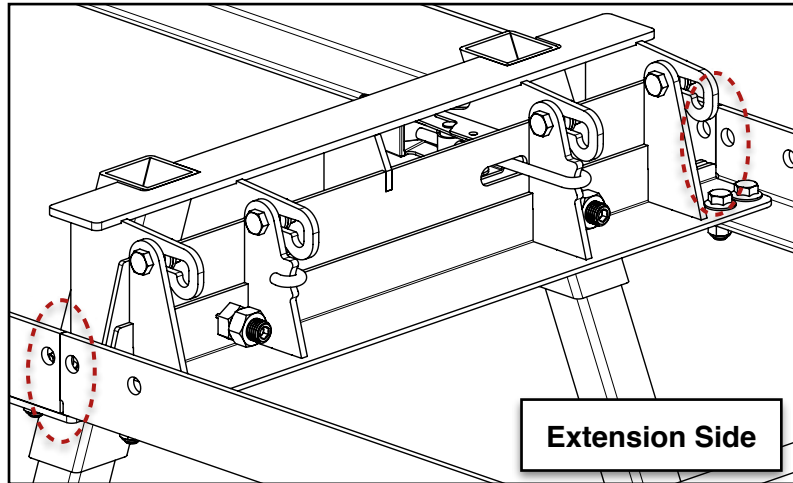


If the top faces of the track rails on the extension aren't collinear with track rails on the main trailer, the provided shims can be used between the hinge bunk flanges and track rails to bring them in line. This step is not necessary if the rails are already inline.



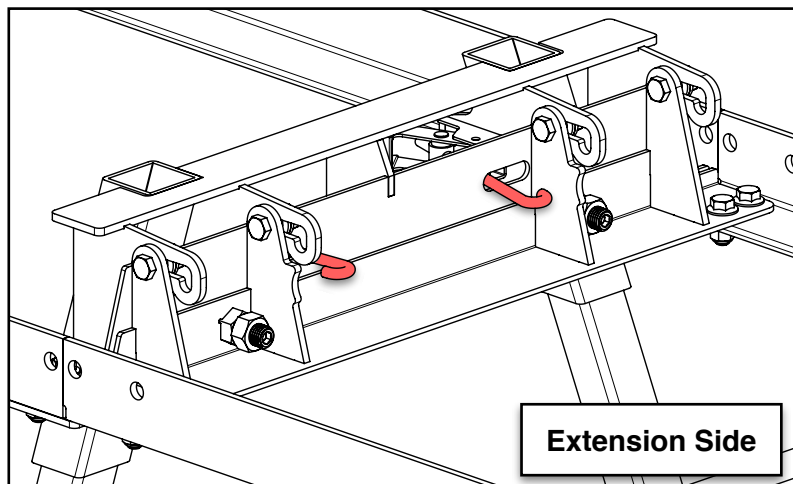
## TUNING THE HINGE BUNK

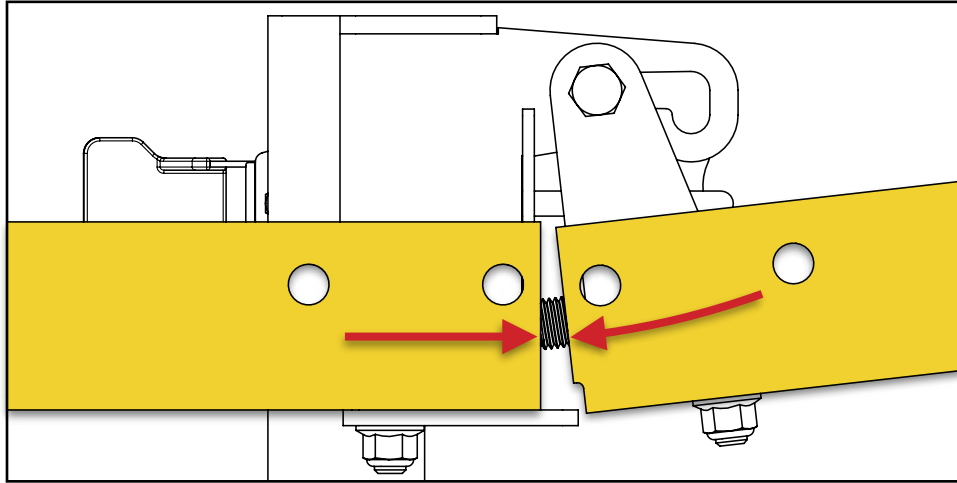
If the top of the trailer and extension track rails are not parallel at the joints, the hinge bunk can be tuned to adjust the position of the extension track rails.



Disengage the two (2) hook latches by pulling the handles inward to release them.

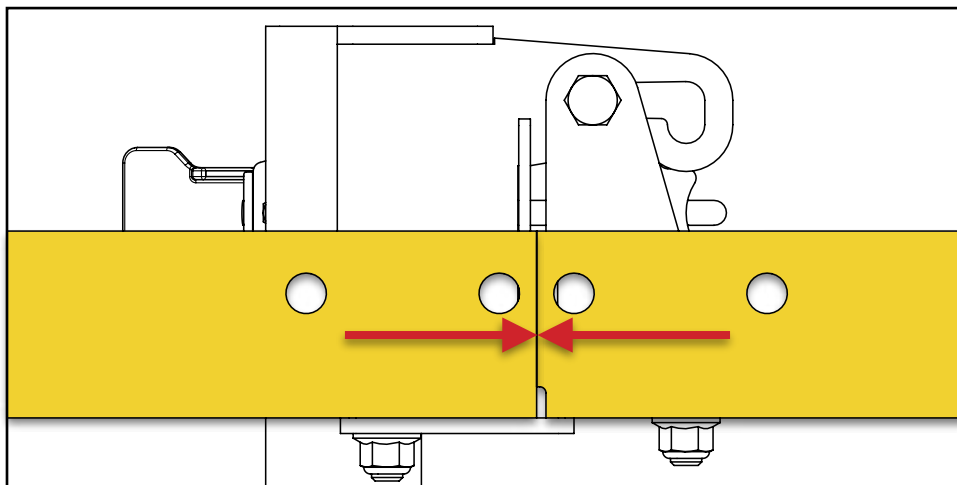
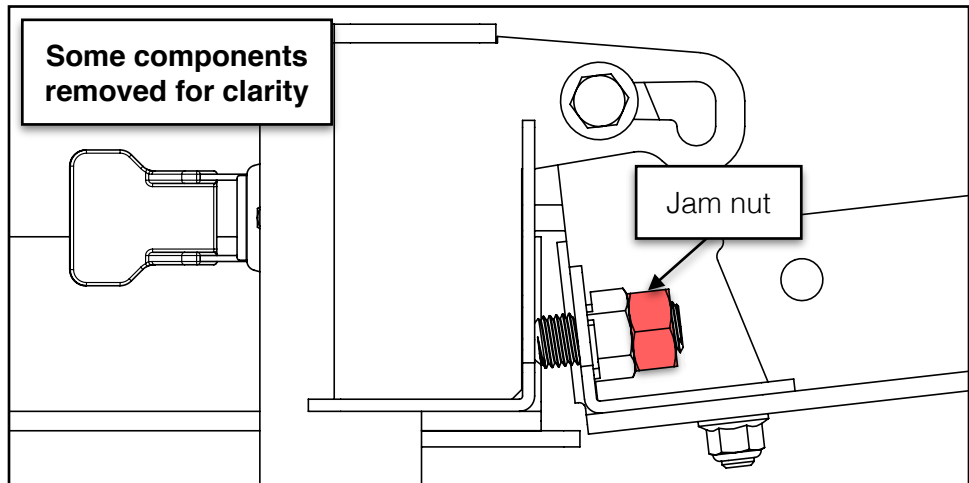
Unhook the hook ends of the latches from the hinge bunk flanges.





Loosen the jam nuts and use a hex key to adjust the two (2) set screws.

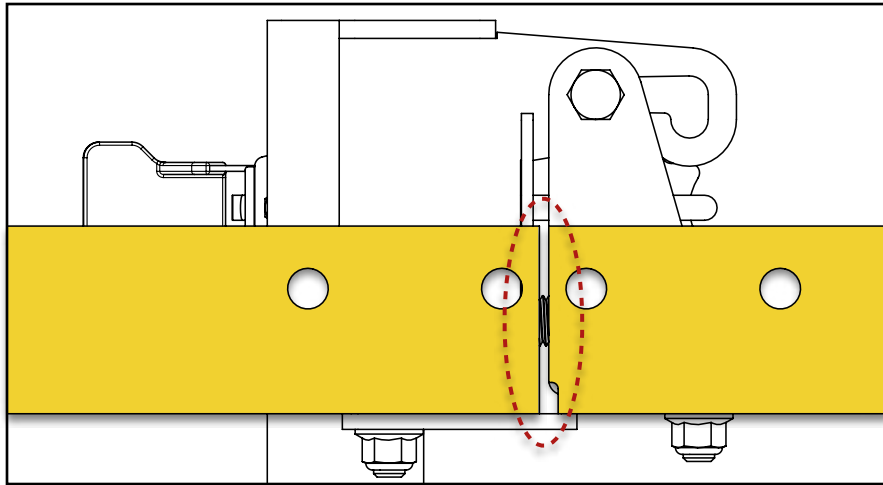
Turn each set screw counter-clockwise an equal amount.



Re-latch the two (2) hook latches to pull the track rails together and then check the fit.

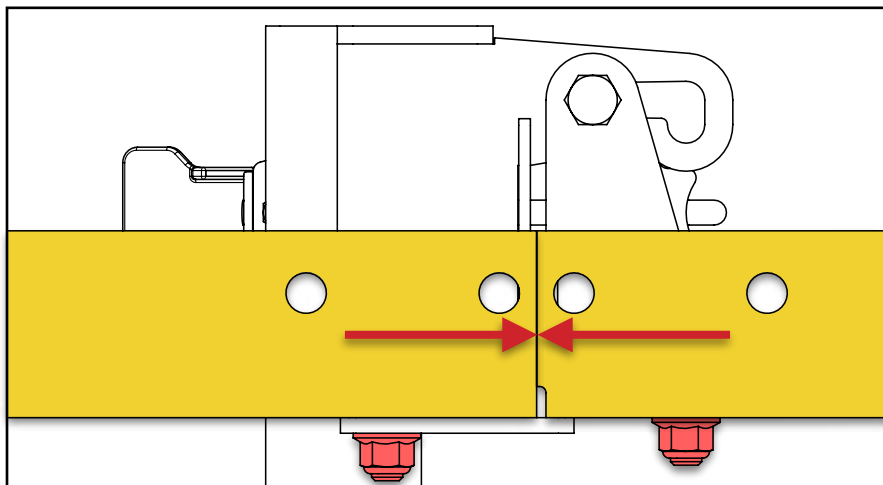
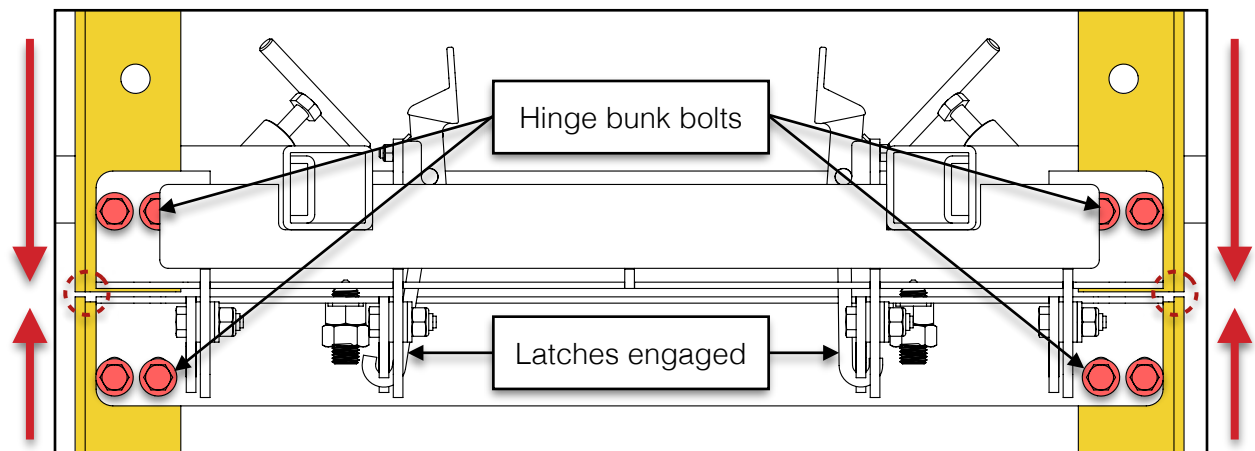
Disengage the latches and repeat the process until both rails are parallel.





If the track rails are parallel but a gap still exists between the rail seam (while the latches are engaged), the rails can be brought together by loosening the bolts that secure the hinge bunk to the track rails.

Loosen the hinge bunk bolts shown below then pull the track rails together. Ensure the latches are engaged while adjusting the track rail position.

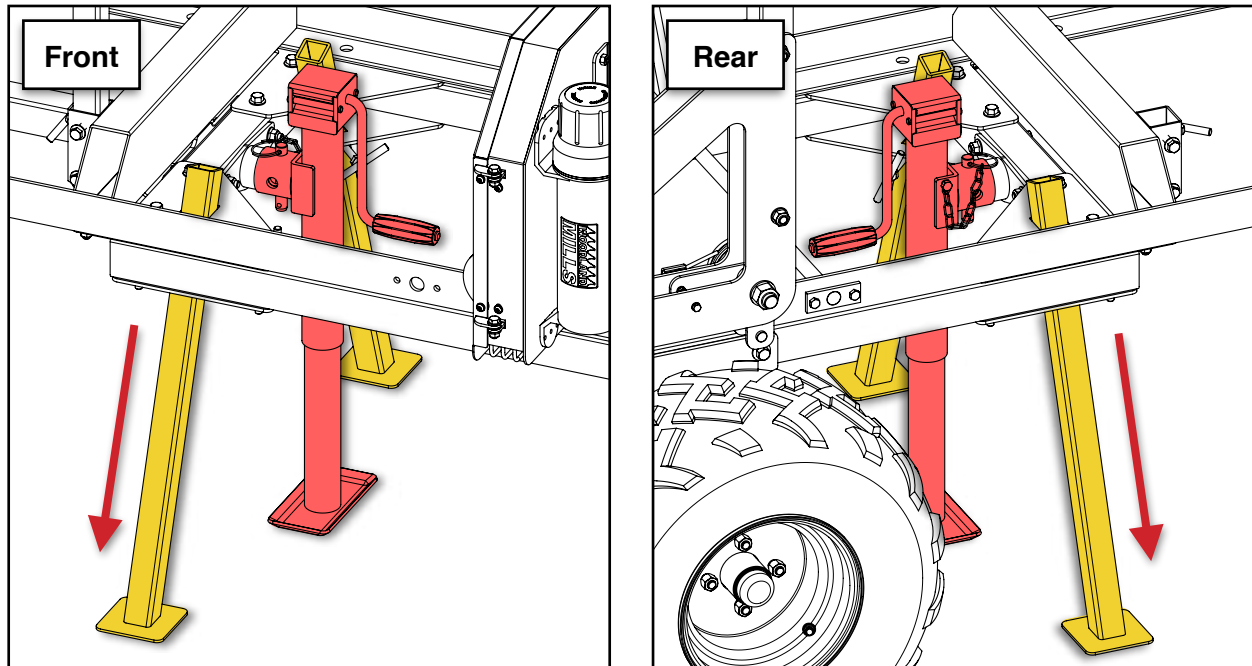


After the track rails are pulled together, retighten the hinge bunk bolts.

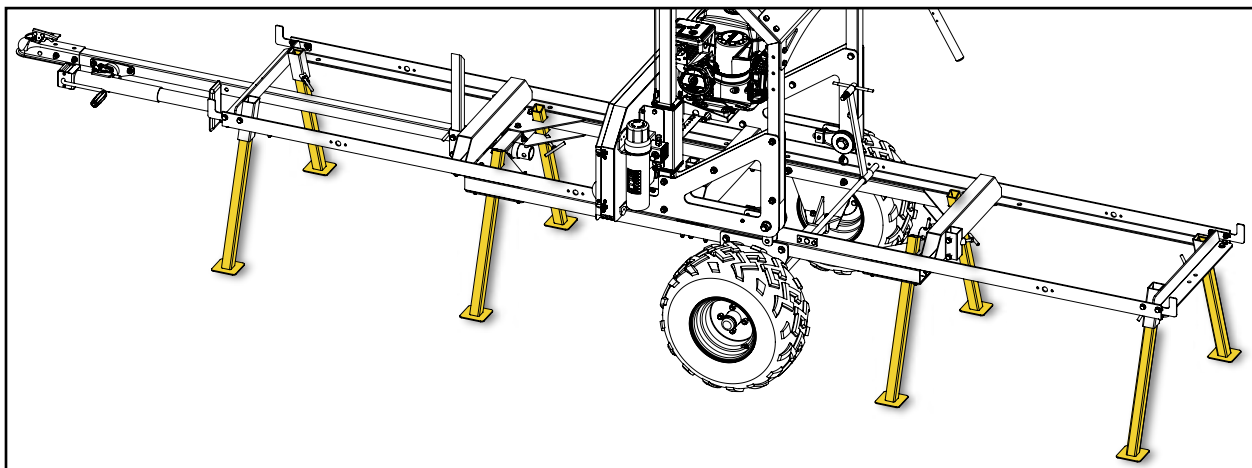
## OPERATION

### LEVELLING THE TRAILER

To level the trailer, attach the jack to the mount at the front of the trailer frame. Raise the end of the trailer until the wheels come off the ground, then drop the two (2) support legs on either side of the jack and lock them in place using the T-bolts. Remove the jack and repeat those steps at the rear end of the trailer frame with a spirit level laid across the bunks to check the level.



Once level, lower all the support legs and lock them in place with the T-bolts. Check the level of the track rails at the ends of the track and adjust the outer supports if necessary.



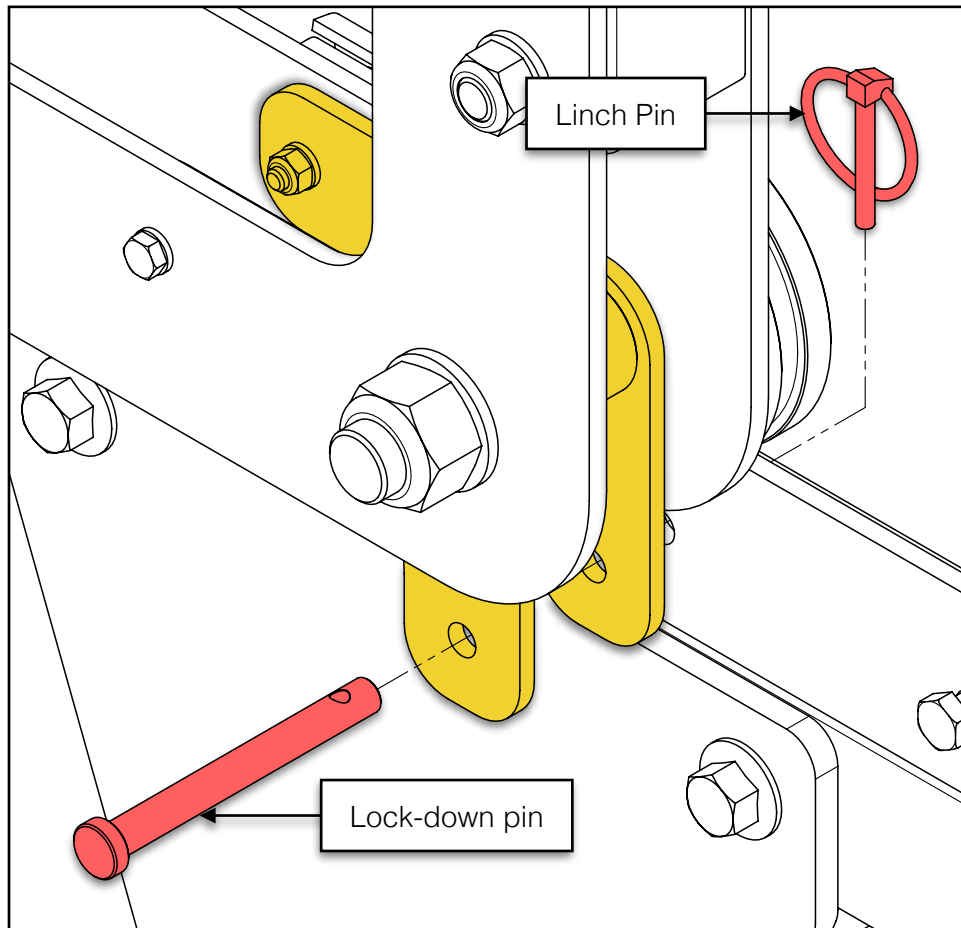


## TRAILER EXTENSION LOCK-DOWN

To make the trailer with an extension mobile, the extension folds up and locks into the sawmill dashboard. Follow the steps below to lock-down the extension.

### LOCK-DOWN THE SAWMILL CARRIAGE

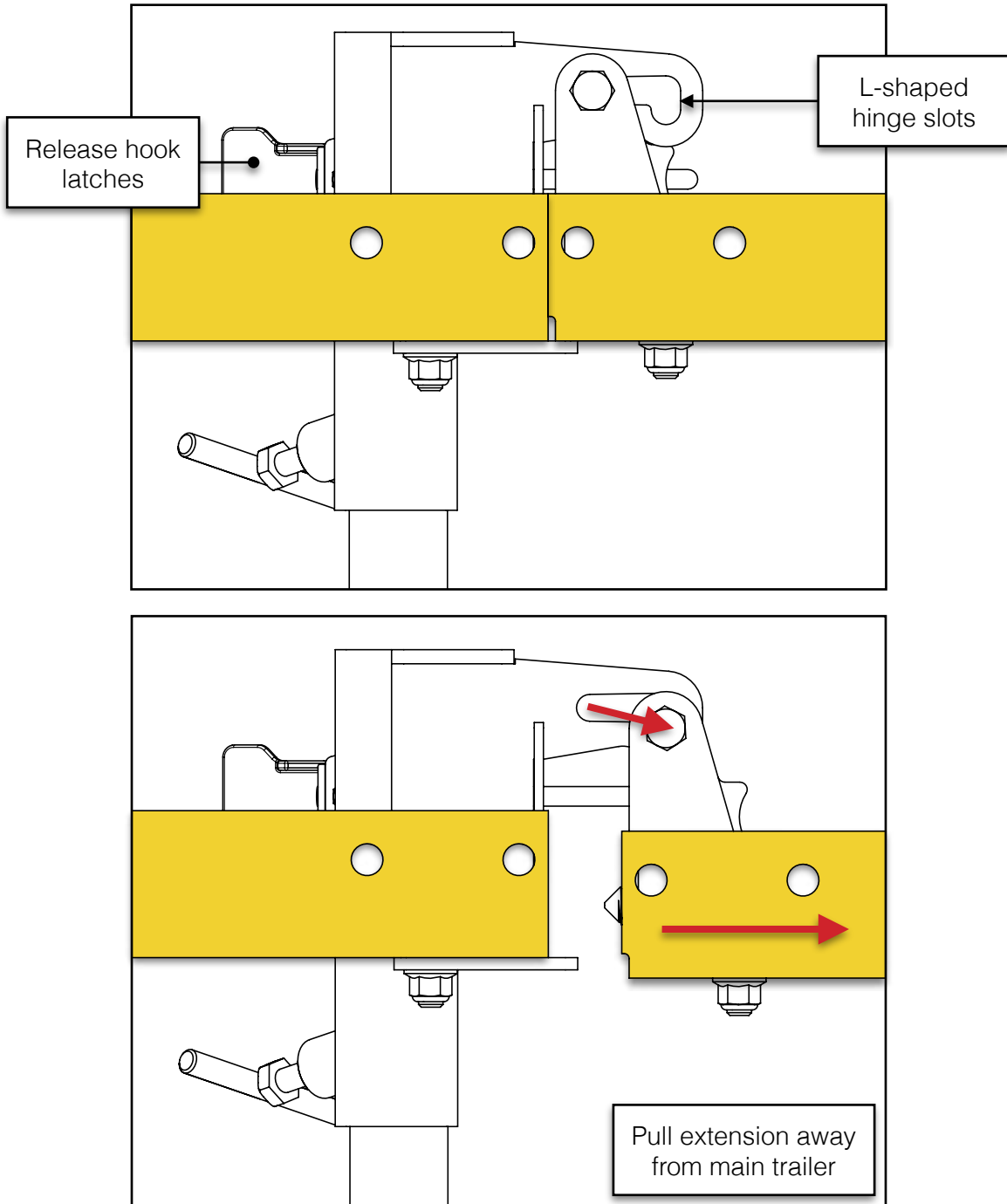
First, lock-down the sawmill carriage using the four (4) lock-down pins with linch pins. Be sure these are the lock-down holes drilled for the extension and not the holes drilled for the standard length trailer if the extension was purchased after the standard trailer was built.





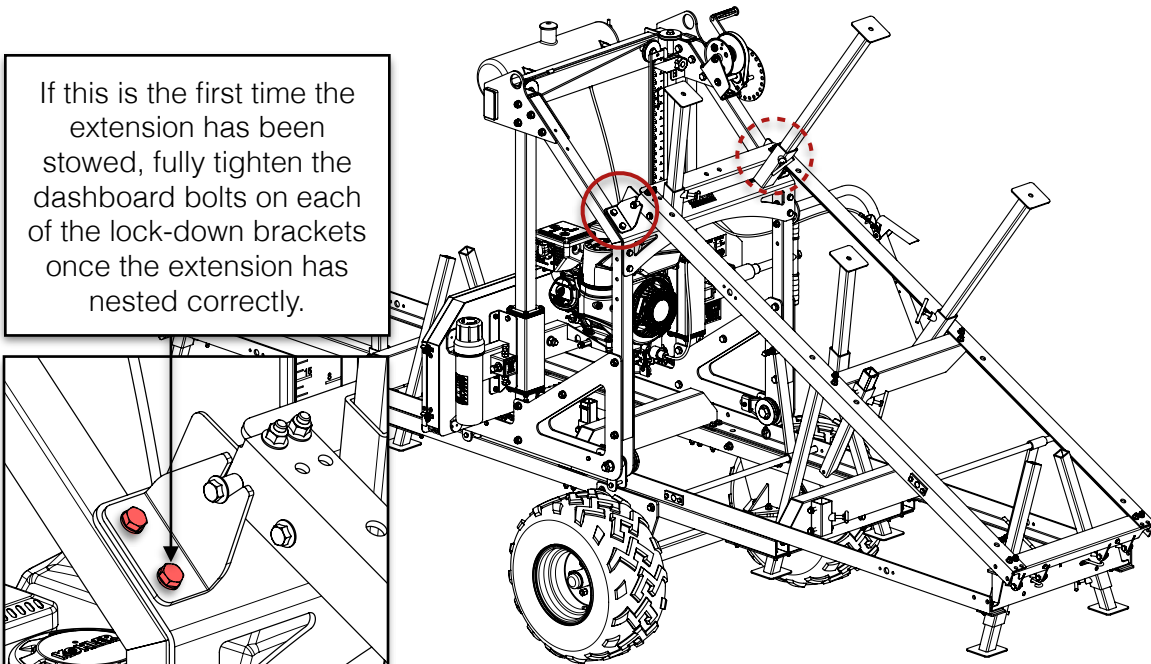
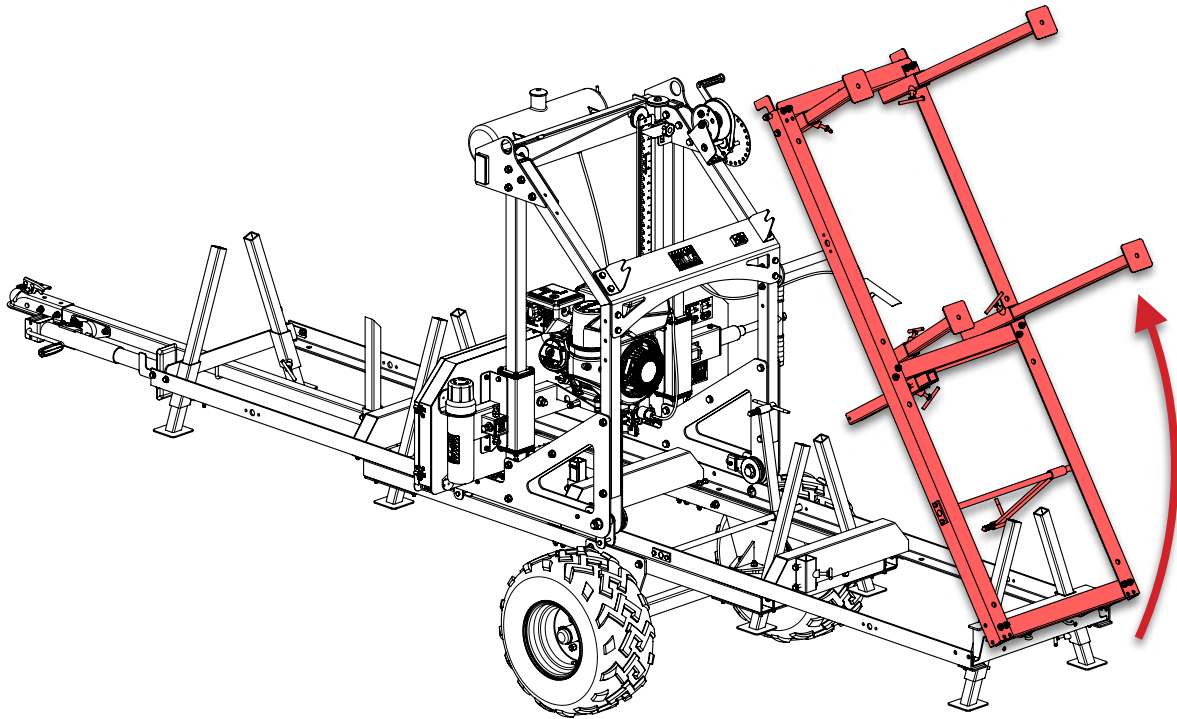
## DISENGAGE HINGE BUNK

Disengage the hinge bunk by releasing the two (2) hook latches. Then pull the extension away from the main trailer until the pivot bolts drop down to the bottom of the L-shaped hinge slots.



## ROTATE THE EXTENSION

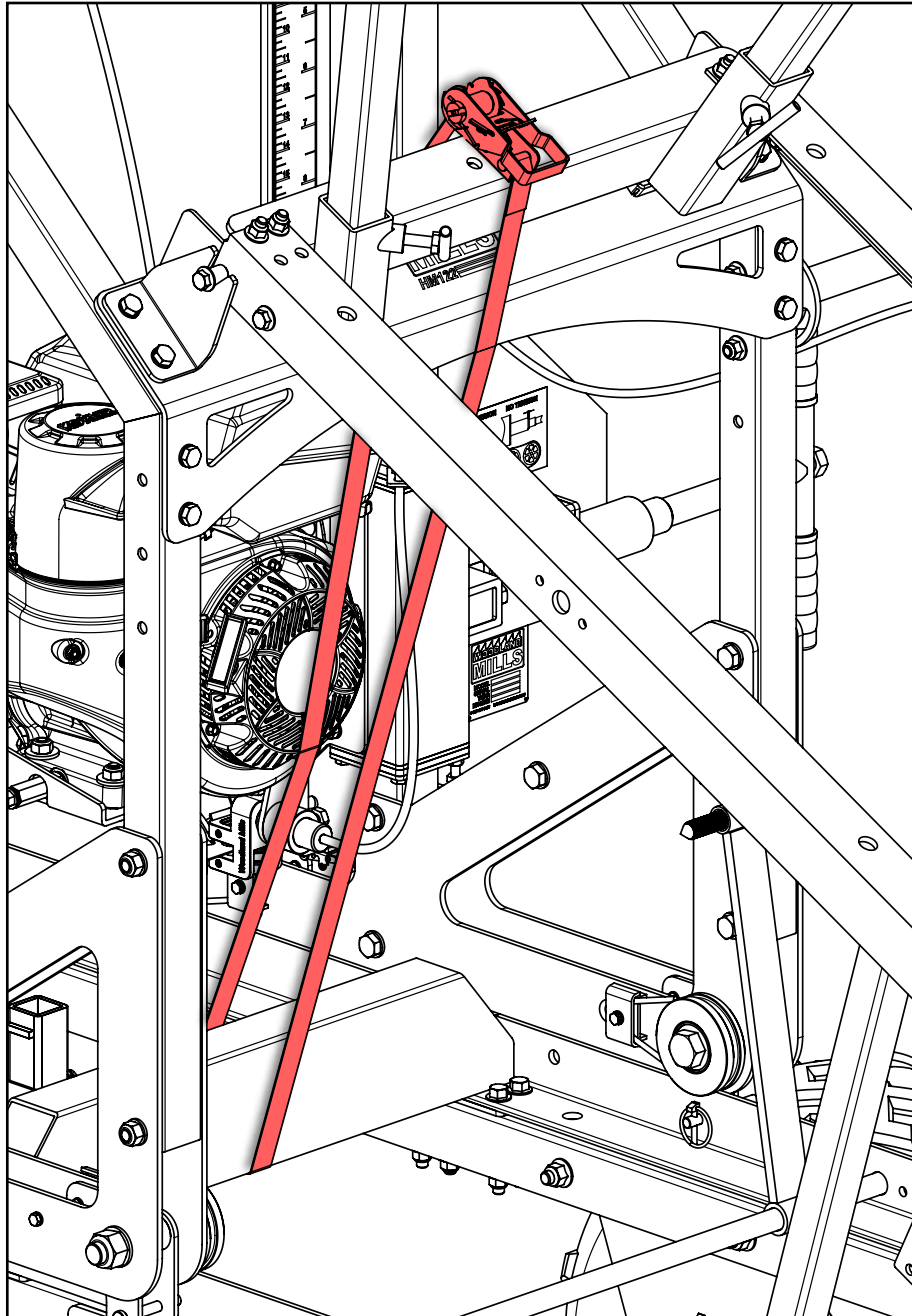
Rotate the extension up and around until the spacers at the end of the track rails seat into the dashboard lock-down brackets. If the extension is too heavy to lift, the four (4) supports can be removed. Reinstall them after rotating the extension.





## SECURE EXTENSION WITH RATCHET STRAP

With the extension nested in the dashboard lock-down brackets, route the ratchet strap around the end bunk on the extension, over the sawmill dashboard, and finally around the track bunk as shown below. Tighten the strap so that the extension is immobilized.





# PARTS LIST—STANDARD TRAILER

NA = North America | EU - Europe

Highlighted row(s) indicate components exclusive to European markets.

Item	Quantity		Part No.	Description
	NA	EU		
1	2	2	0002115	SIDE BEAM
2	2	2	0002116	END BEAM
3	2	2	0002117	TOP GUSSET 2
4	2	2	0002118	TOP GUSSET 1
5	2	2	0002119	BOTTOM GUSSET 1
6	2	2	0002120	BOTTOM GUSSET 2
7	1	1	0002122	REVERSE BUNK
8	2	2	0002121	END BUNK
9	8	8	0002124	SUPPORT LEG
10	1	1	0002123	TONGUE
11	3	3	0002249	JACK MOUNT
12	1	1	0001385	JACK STAND
13	1	-	0001381	HITCH BALL COUPLER, 2 in [50.8 mm] BALL, NORTH AMERICA
14	-	1	0001702	HITCH BALL COUPLER, 50 mm [2 in] BALL, EUROPE
15	5	5	0001059	T-BOLT, M10 X 1.5, 40 mm LG
16	4	4	0002125	T-BOLT, M10 X 1.5, 70 mm LG
17	2	2	0002839	AXLE BRACKET
18	1	1	0002841	AXLE HOUSING
19	2	2	0002840	AXLE
20	2	2	0002283	WHEEL BEARING HUB, 4-BOLT, 4 in [101.6 mm] BC
21	2	2	0002285	WHEEL HUB DUST COVER, M12 X 1.75, 4-BOLT PATTERN
22	8	8	0001990	HEAD LOCK-DOWN PLATE
23	4	4	0001394	LOCK-DOWN PIN
24	1	1	22X11-10L	WHEEL, 22X11-10, LEFT-HAND
25	1	1	22X11-10R	WHEEL, 22X11-10, RIGHT-HAND
26	4	4	L44643	ROLLER BEARING, TAPERED, L44643, 1 in BORE, 1.98 in OD, 0.58 in WIDE
27	2	2	HDW	ROTARY SHAFT SEAL, SPRING-LOADED, WIPER LIP, 30 mm SHAFT, 50 mm OD
28	2	2	HDW	GREASE FITTING, 45° ELBOW, M6 X 1 TAPERED THD
29	1	-	HDW	LOCKING PIN, ROUND, 1/4 in DIA, 1-3/8 in USEABLE LG
30	2	2	HDW	LOCKING PIN, SQUARE, 5/16 in DIA, 2-1/8 in USABLE LG
31	2	2	HDW	COTTER PIN, 4 mm DIA, 32 mm LG
32	4	4	HDW	LINCH PIN, 3/16 in DIA, 1 in USEABLE LG
33	4	4	HDW	HEX BOLT, M6 X 1, 25 mm LG
34	4	4	HDW	HEX BOLT, M6 X 1, 40 mm LG
35	10	10	HDW	HEX BOLT, FLANGED, M10 X 1.5, 25 mm LG
36	8	8	HDW	HEX BOLT, FLANGED, M10 X 1.5, 30 mm LG
37	2	4	HDW	HEX BOLT, FLANGED, M10 X 1.5, 70 mm LG, 26 mm LG THD
38	4	2	HDW	HEX BOLT, FLANGED, M10 X 1.5, 80 mm LG, 26 mm LG THD
39	22	22	HDW	HEX BOLT, FLANGED, M10 X 1.5, 90 mm LG, 26 mm LG THD
40	4	4	HDW	HEX BOLT, FLANGED, M12 X 1.75, 90 mm LG, 30 mm LG THD



Item	Quantity		Part No.	Description
	NA	EU		
41	8	8	HDW	SCREW, HFH, M10 X 1.5, 90 mm LG
42	3	3	HDW	U-BOLT, 50 WD X 75 mm LG, M10 X 1.5, 50 mm LG THD
43	16	16	HDW	FLAT WASHER, M6
44	4	4	HDW	FLAT WASHER, M10
45	2	2	HDW	FLAT WASHER, M24
46	8	8	HDW	LOCK NUT, M6 X 1
47	4	4	HDW	LOCK NUT, M10 X 1.5
48	54	54	HDW	LOCK NUT, FLANGED, M10 X 1.5
49	4	4	HDW	LOCK NUT, FLANGED, M12 X 1.75
50	2	2	HDW	LOCK NUT, SLOTTED, M24 X 1.5, 18 mm HGT
51	8	8	HDW	LUG NUT, M12 X 1.5

## PARTS LIST – TRAILER EXTENSION

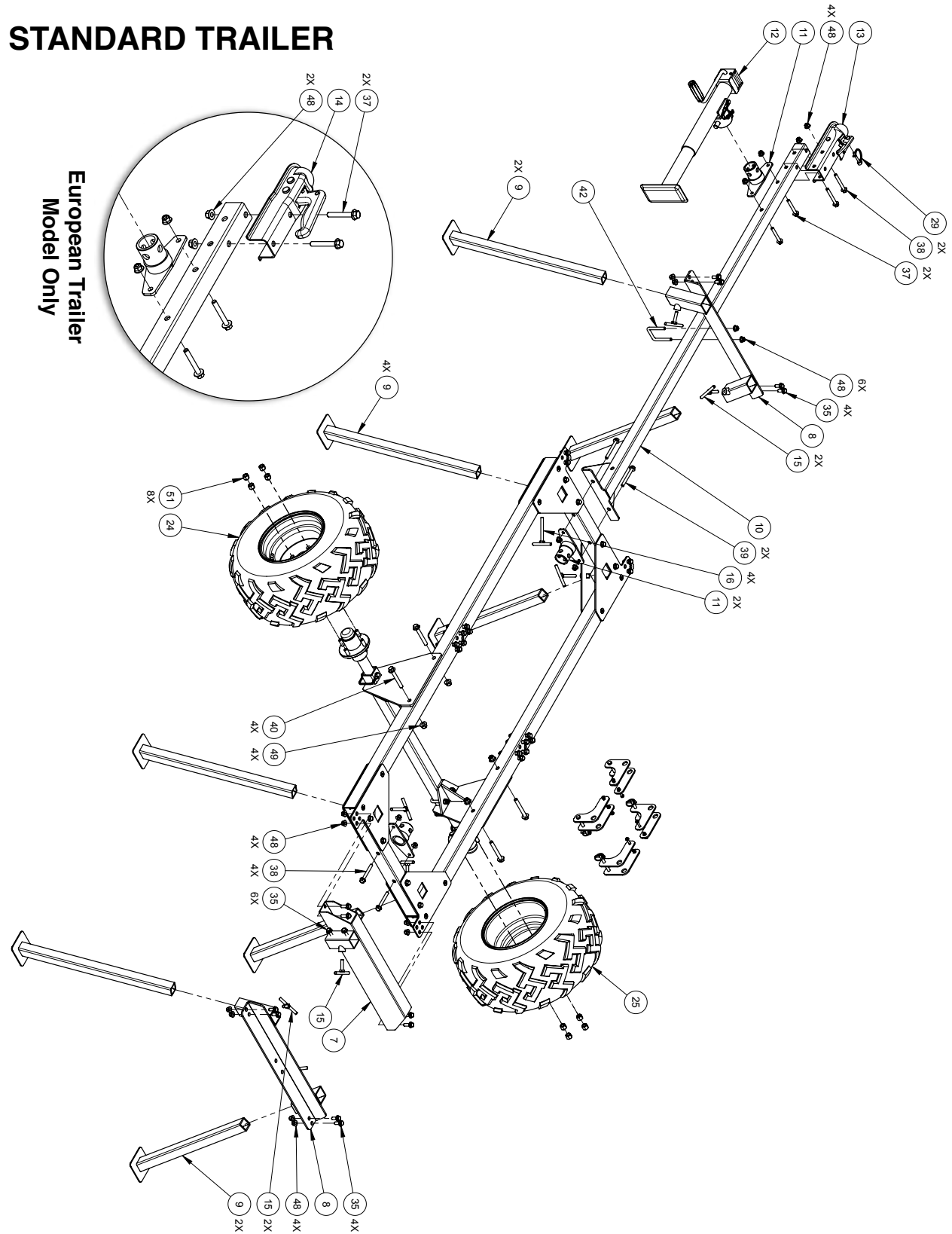
Item	Qty	Part No.	Description
100	2	0003582	TRACK RAIL
101	1	0003580	LOG BUNK
102	1	0003512	HINGE BUNK, EXT
103	1	0003513	HINGE BUNK, TRACK
104	2	0002338	HOOK LATCH, 8 mm HOOK
105	6	0003583	HINGE BUNK SHIM, 0.5 mm THK
106	2	0002154	REST PLATE
107	4	0002124	SUPPORT LEG
108	5	0001059	T-BOLT, M10 X 1.5, 40 mm LG
109	1	0001460	LOG CLAMP CONNECTING ROD
110	1	0001461	LOG CLAMP ARM
111	1	0001462	LOG CLAMP
112	1	0001464	LONG LOG SUPPORT
113	1	0001465	LOG SUPPORT, SHORT
114	2	0002697	SPACER, 10 ID X 16 OD X 20 mm LG
115	2	0002311	TRACK LOCK-DOWN BRACKET
116	1	0002810	RATCHET STRAP, 10 ft LG
117	2	HDW	HEX BOLT, M8 X 1.25, 20 mm LG
118	12	HDW	HEX BOLT, FLANGED, M10 X 1.5, 25 mm LG
119	8	HDW	HEX BOLT, FLANGED, M10 X 1.5, 30 mm LG
120	2	HDW	HEX BOLT, FLANGED, M10 X 1.5, 50 mm LG
121	4	HDW	BUTTON HEAD SCREW, M6 X 1, 16 mm LG
122	2	HDW	SET SCREW, CONE POINT, M16 X 2, 50 mm LG
123	4	HDW	FLAT WASHER, M12
124	8	HDW	FLAT WASHER, M12, 24 mm OD, NYLON
125	2	HDW	HEX NUT, M16 X 2
126	4	HDW	LOCK NUT, M6 X 1
127	2	HDW	LOCK NUT, M8 X 1.25
128	4	HDW	LOCK NUT, M10 X 1.5
129	20	HDW	LOCK NUT, FLANGED, M10 X 1.5





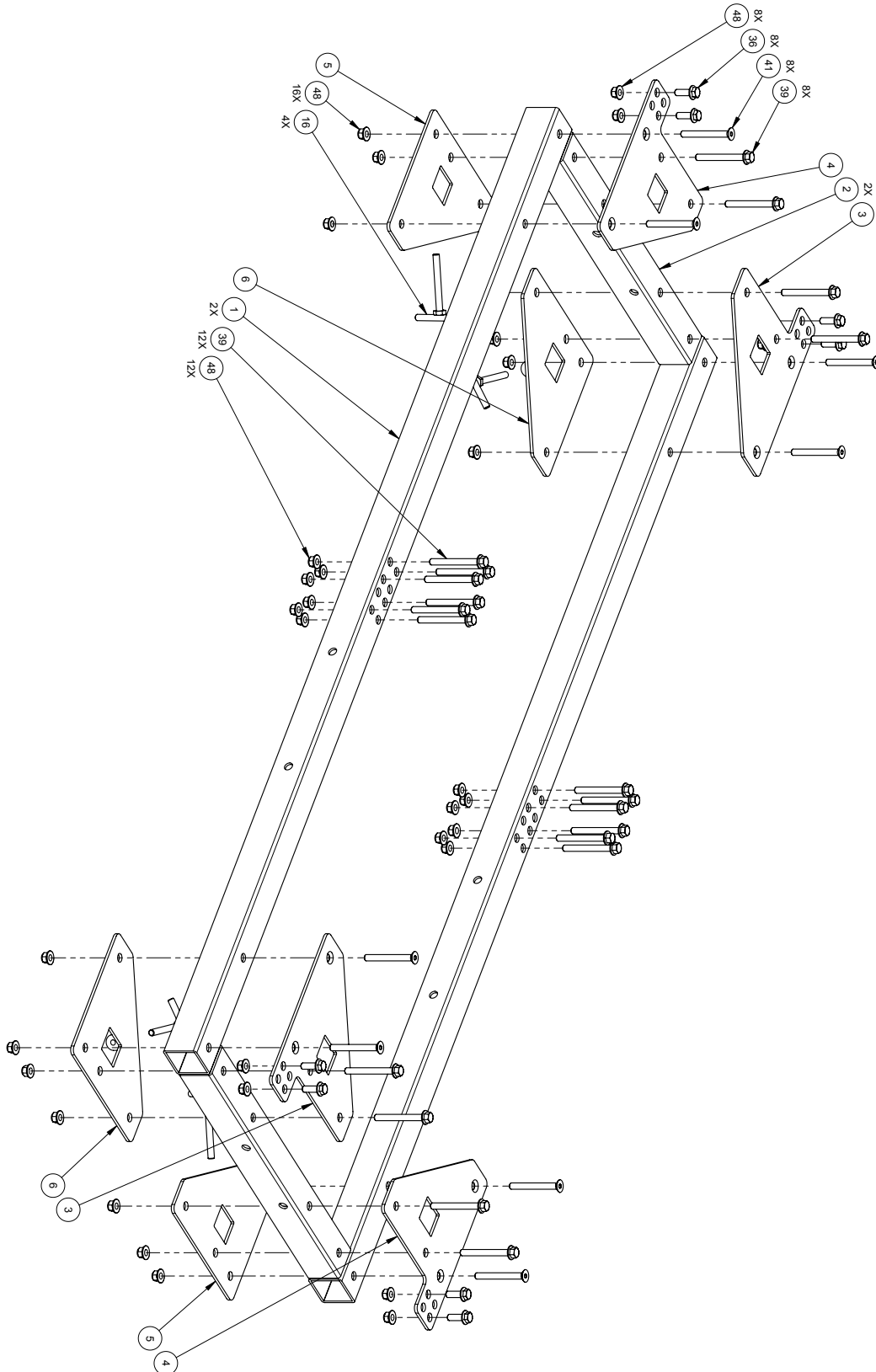
# EXPLODED ASSEMBLY VIEWS

## STANDARD TRAILER



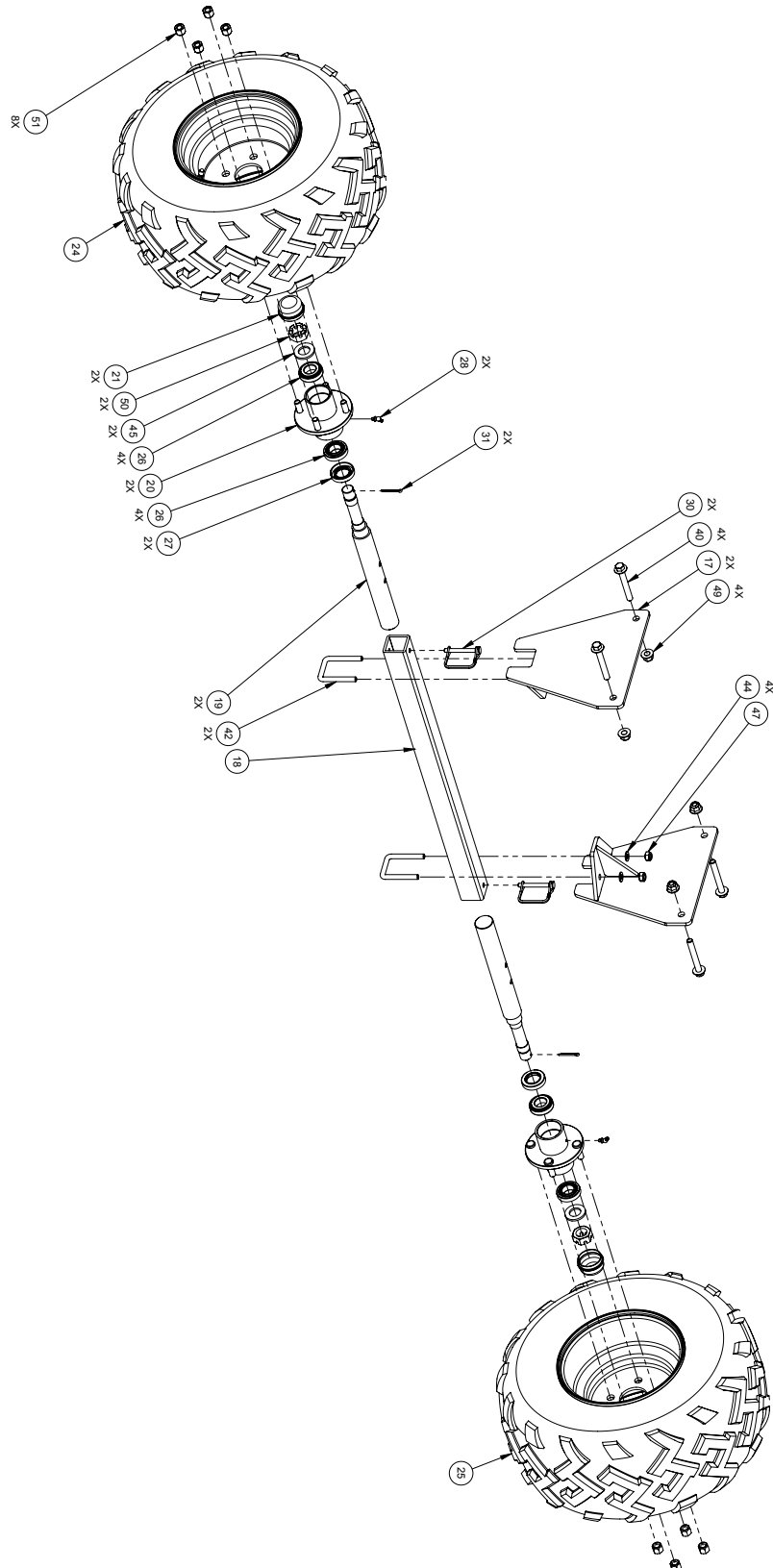


# STANDARD TRAILER CHASSIS



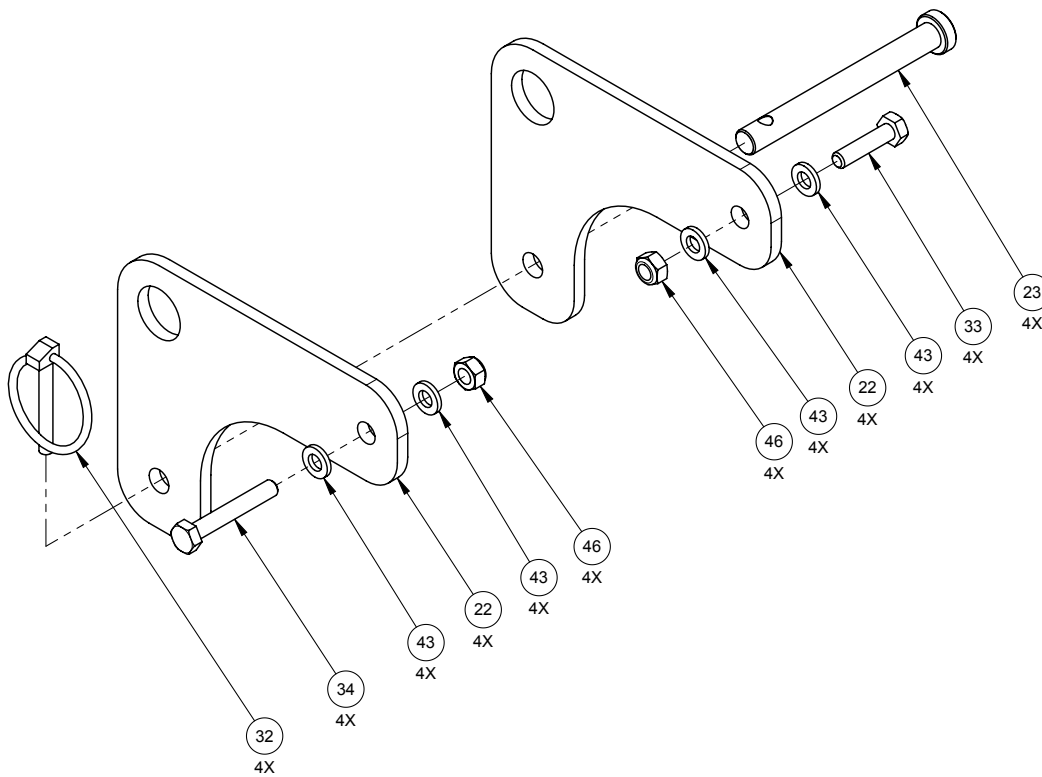


# STANDARD TRAILER AXLES



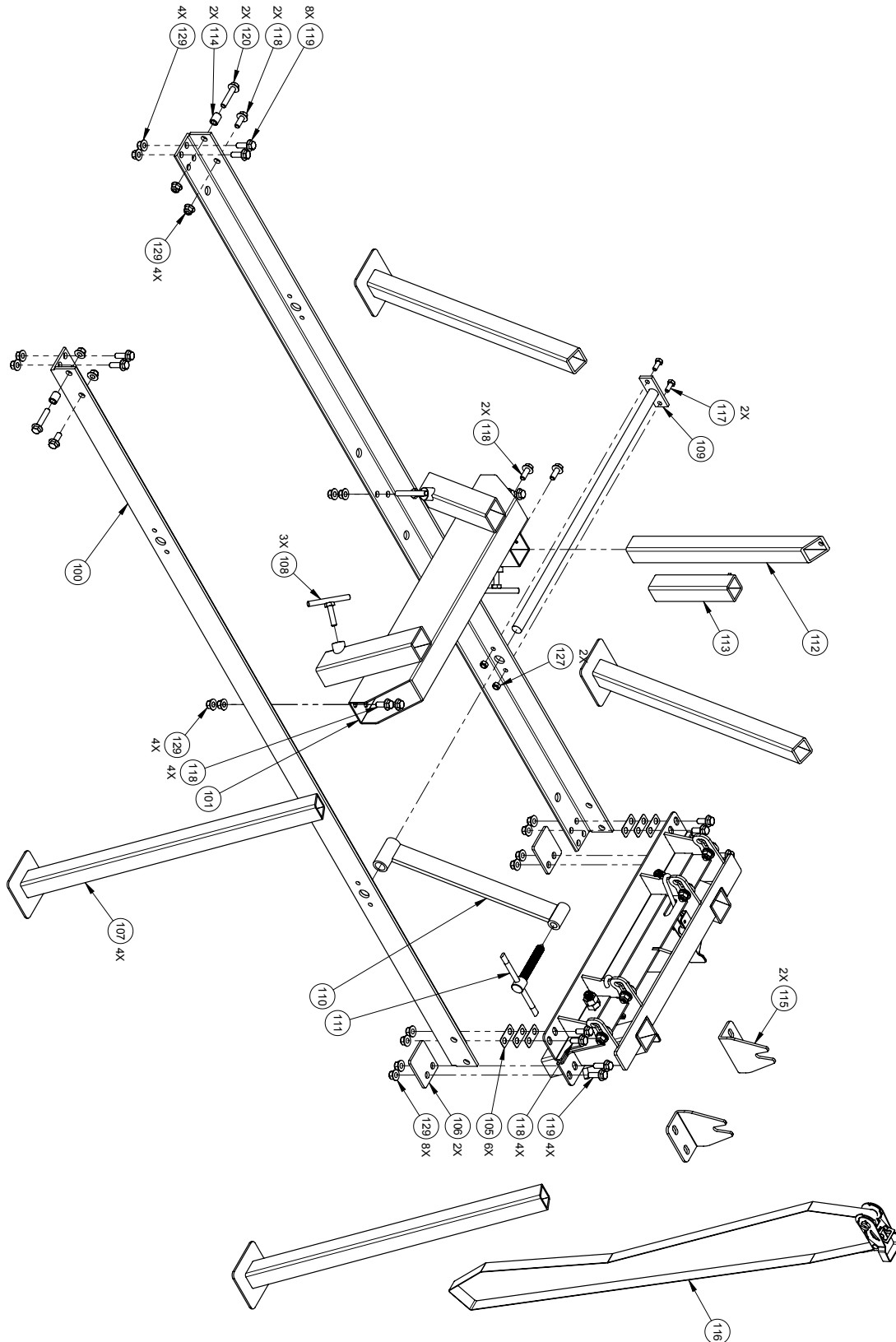


# HEAD LOCK-DOWN PLATES



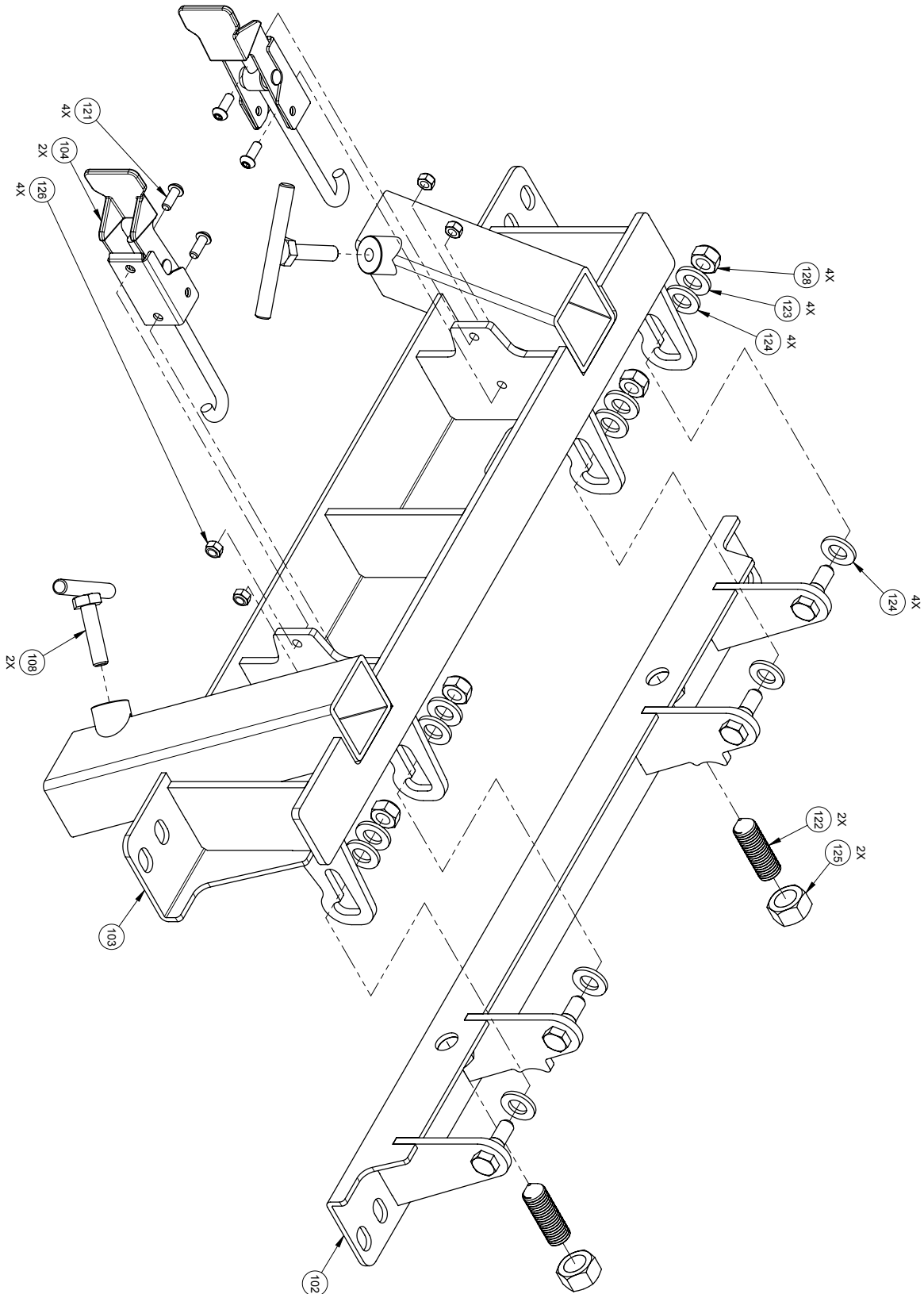


# TRAILER EXTENSION





# TRAILER EXTENSION HINGE BUNK











A large section of the page consisting of 25 horizontal lines, providing space for handwritten notes or a checklist.



Lined area for notes or diagrams, consisting of multiple horizontal lines.

This page intentionally left blank.

