



# Parts Manual

Mfg. No: 2691676-00  
Conquest, 25 Gross HP Hydro 2WD w/PS  
and 52" Fabricated Mower Deck

1692125 - Cart, Dump (10 Cu. Ft.) . . . . .

1694152 - Snow Cab, Soft Side. . . . .

1694163 - Wide Body Cart & Hitch. . . . .

1694146 - Hitch, Subframe. . . . .

1694147 - Hitch, Dozer Blade. . . . .

1694286 - Snowthrower Subframe & Hitch. . . . .

1693754 - Blade, 42" Angling Dozer. . . . .

1694150 - Snowthrower, Single Stage, 46". . . . .

1694296 - Snowthrower, Single Stage, 46". . . . .

1694295 - Snowthrower, Single Stage, 42". . . . .

1694238 - Snowthrower, Two-Stage, 42". . . . .

1691319SM - Suitcase Weights, 33Lbs. . . . .

1692939SM - 50 Lbs. Suitcase Weights. . . . .

1693160SM - Rear Wheel Weight, 50 Lbs. . . . .

1694155SM - Front Weight Carrier. . . . .

1690095SM - Tire Chains (23" Tires). . . . .

1694542 - Wide Body Cart Collector. . . . .

1696363-00 - Catcher, Clean Sweep Triple. . . . .

1695939 - Dozer Blade, 48". . . . .

1694692 - Hitch & Tube Group. . . . .

1695195 - Hitch, Sub Frame, 42" Dozer Blade. . . . .

1695196 - Hitch, Sub Frame, 42" Snowthrower. . . . .

1695434 - Wide Body Cart Collector Hitch & Tube Kit. . . . .

1696384YP - Grass Mulcher Kit, 52" Fabricated Mower Deck. . . . .

1696362-00 - Turbo, 52" Fabricated Mower Deck. . . . .

1696429-00 - Turbo, 52" Fabricated Mower Deck. . . . .

1696360-00 - Tiller 36". . . . .

1695613 - Snow Cab, Soft Side. . . . .

1694312 - Rear Weight Carrier. . . . .

1696323YP - Rear Weight Carrier. . . . .

1694144 - Snowthrower, Single-Stage, 42". . . . .

1694874 - Snowthrower, Two Stage, 42". . . . .

1695099 - Snowthrower, Two Stage, 42". . . . .

1695360 - Snowthrower, Two Stage, 42". . . . .

1695297 - Snowthrower, Single Stage, 42". . . . .

1695298 - Snowthrower, Single Stage, 46". . . . .

1696425-00 - Snowthrower, Single Stage, 42". . . . .

1695360-01 - Snowthrower Attachment, Two Stage, 42". . . . .

1696356-01 - Hitch & Tube Kit, Catcher. . . . .

1696429-01 - Turbo, 52" Fabricated Mower Deck. . . . .

1696358A-00 - Catcher, Clean Sweep Triple. . . . .

1696363-01 - Catcher, Clean Sweep Triple. . . . .

1696363A-00 - Catcher, Clean Sweep Triple. . . . .

1694147-01 - Hitch, Dozer Blade. . . . .

1695434-01 - Wide Body Cart Collector Hitch & Tube Kit. . . . .

1695434A-00 - Wide Body Cart Collector Hitch & Tube Kit. . . . .

1696356A-00 - Hitch & Tube Kit, Catcher. . . . .

1696356-00 - Hitch & Tube Kit, Catcher. . . . .

1696429A-00 - Turbo, 52" Fabricated Mower Deck. . . . .

1697364A-00 - Grass Catcher, Triple. . . . .

<b>Model Components</b>	<b>Page</b>
52" (132cm) Mower Deck - Clutch & Support Group.....	4
52" (132cm) Mower Deck - Height Adjust & Roller Group.....	6
52" (132cm) Mower Deck - Housing, Arbors & Blades Group.....	10
Controls Group.....	12
Cruise Control Group.....	14
Decals Group.....	16
Electric Lift Group.....	18
Electrical Group.....	20
Electrical Schematic -.....	22
Engine Group - 25 Gross HP Briggs & Stratton.....	24
Frame & Front Axle Group.....	26
Hood, Grille & Dash Group.....	28
Rear Suspension Group.....	30
Seat Deck Group.....	32
Seat Group.....	34
Steering Group - Power Steering with Tilt.....	36
Transmission Group - Tuff Torq K66AS.....	38
Transmission SERVICE PARTS - Tuff Torq K66AS (80082721).....	40
Wheels & Tires Group.....	46
Torque Specification Chart.....	48

Not For  
Reproduction



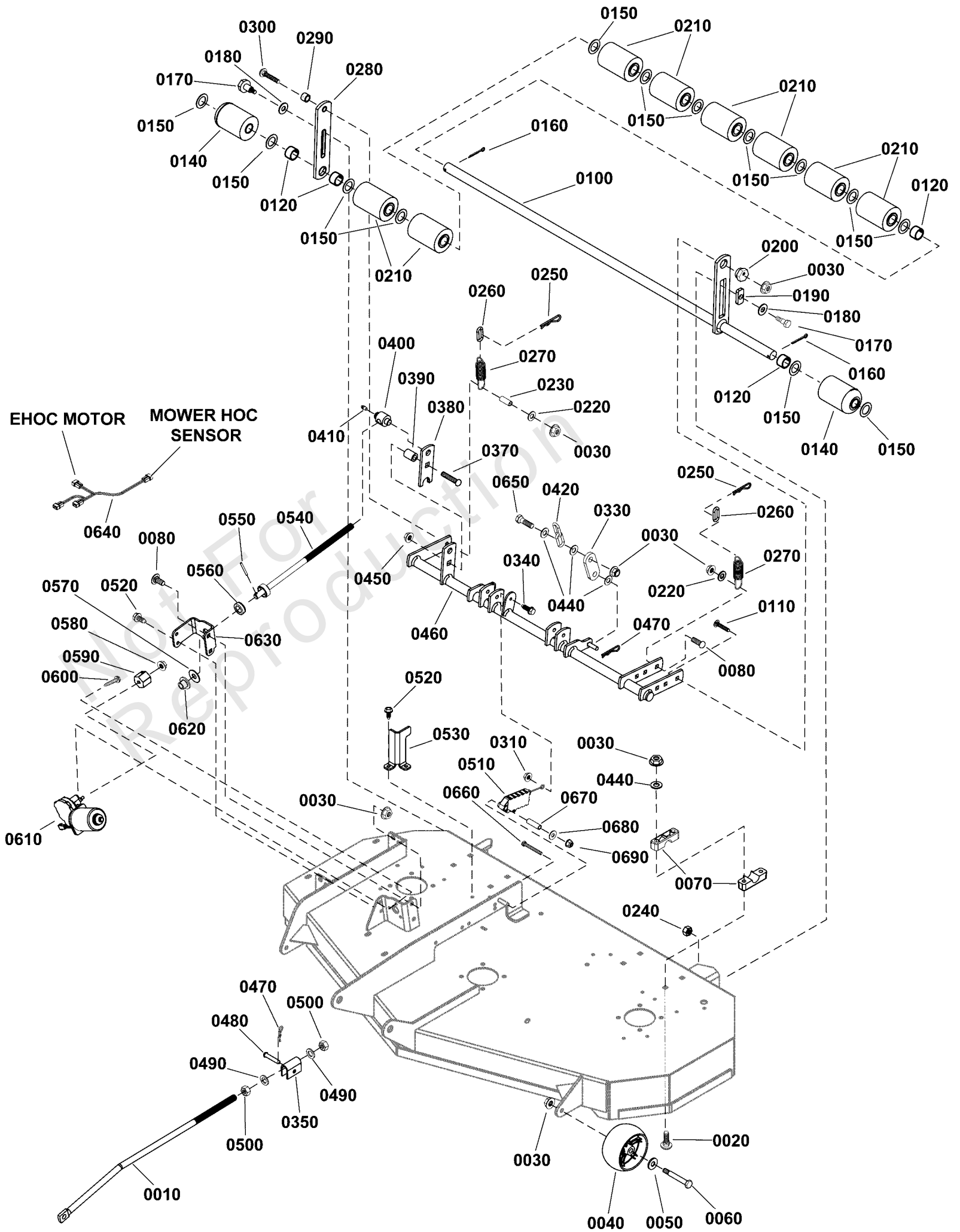
## 52" (132cm) Mower Deck - Clutch & Support Group

REF NO	PART NO	QTY	DESCRIPTION
0010	1755036AYP	1	HITCH
0020	5025479YP	2	CLEVIS PIN, 1/2 X 1.3
0030	1722320SM	2	PIN, Cotter, Locking,
0040	1709189SM	1	PIN, Klink
0050	1734011SM	1	PIN, Hitch Assembly
0070	703875	1	CAPSCREW, 3/8-16 x 4, GR5
0060	1960519SM	1	NUT, Push
0080	1924356SM	2	WASHER, 3/8
0090	1923938SM	1	CAPSCREW, Hex Head, 3/8-16 x 3-1/2 GR5
0100	7091945YP	1	BOLT, Carriage, Short Neck, 3/8-16 x 1-1/2
0110	1755124YP	1	IDLER, Lower
0120	1674669SM	2	SPACER-0.39 IDX0.625O
0130	7091528SM	5	WASHER, Flat, 3/8
0140	2157081SM	2	SPACER, 3/8 ID x 3/4 OD x 1/2
0150	1724387SM	2	PULLEY, Idler
0160	1755127YP	1	IDLER, Upper
0170	703158	2	NUT, Hex Flange, 3/8-16
0180	703230	2	NUT, 3/18-16, GR2
0190	1677135SM	1	GUARD, Spring
0200	1715435SM	1	SPRING, EXTENSION, 1.
0210	1656936SM	1	SPRING, Extension
0220	703858	1	BOLT, 3/8-16X1.75
0230	5048264SM	2	SPACER, .39 X .63 X 1
0240	1922755SM	3	WASHER, 3/8
0250	2156302SM	1	SPRING, Extension, 4-1/8
0260	1713578SM	1	ROD, 7.62"
0270	1715759SM	1	ROD, 3/8 x 8
0280	1759752YP	1	V-BELT, HA, 73.2, ARAMID
0290	1728008SM	1	V-BELT, HA, 89.25, ARAMID/KEVLAR
0300	1960061SM	1	WASHER, 3/4

# 52" (132cm) Mower Deck - Height Adjust & Roller Group

Note: Unless noted otherwise, use the standard torque specifications

Mfg. No: 2691676-00



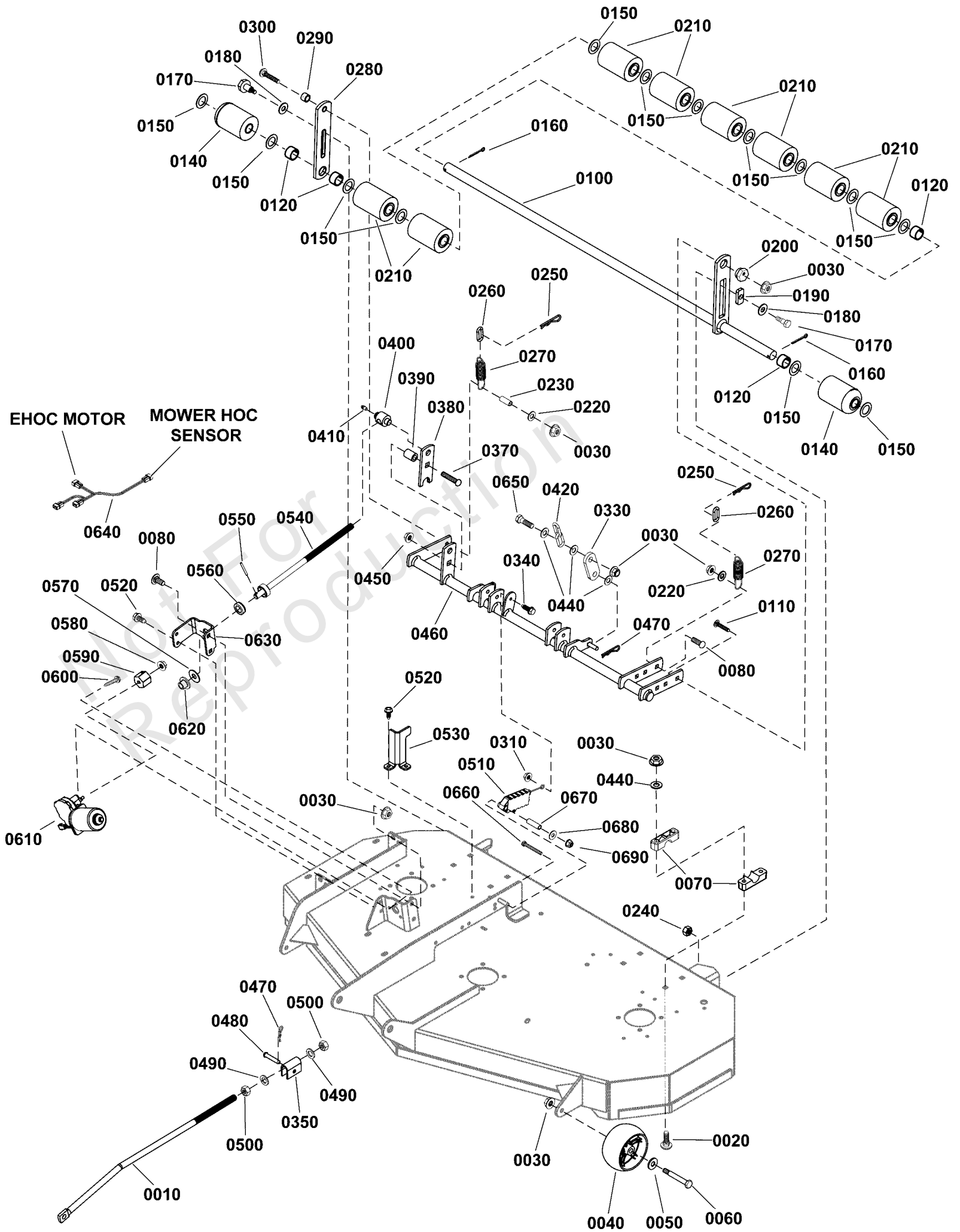
## 52" (132cm) Mower Deck - Height Adjust & Roller Group

REF NO	PART NO	QTY	DESCRIPTION
0010	1754971YP	2	ROD, Pitch
0020	5025146X22YP	8	BOLT, Carriage, 3/8-16 x 2-1/2
0030	5025394SM	17	NUT, 3/8-16 HEX NYLOCK
0040	1736896YP	2	WHEEL, GAUGE
0050	1960170SM	2	WASHER, 1/2
0060	1736539YP	2	BOLT, SHOULDER
0070	5100634SM	8	PIVOT BLOCK, PLASTIC
0080	7091640SM	3	BOLT, Carriage, 3/8-16 x 1 GR5
0100	1754982AYP	1	SHAFT, Roller
0110	5025146X16SM	1	BOLT, 3/8-16 X 2", CA
0120	1701873SM	4	SPACER, 1.02 ID
0140	1678043SM	2	ROLLER
0150	703149	13	WSHR
0160	1918459SM	2	PIN, Cotter, .188 X 1.500
0170	2172622SM	2	BOLT, Shoulder, 3/8-16 X 1.34, 1/2 Shoulder
0180	1924361SM	2	WASHER, 1/2
0190	1677507SM	1	SLIDE
0200	1704082SM	1	NUT, Hex Adjusting, 11/16
0210	1678042YP	8	ROLLER, W/Bushings
0220	5025165SM	3	WASHER, 3/8" FENDER
0230	5041931SM	1	SPACER, .38 X .50 X 1
0240	2860681SM	2	NUT, Hex Flange, 3/8-16
0250	1960033SM	2	CLIP, Hair Pin
0260	1755637YP	2	COIL CHAIN
0270	1755628YP	2	SPRING, Extension
0280	1754967AYP	1	SUPPORT, Upright, RH
0290	706056	1	SPACER, .39 x .55 x .56
0300	5025013X24SM	1	BOLT, 3/8-16 X 3" GD5
0310	703115	1	NUT
0330	84004628	2	LINK, Transport
0340	1960373SM	1	CAPSCREW, Hex Washer Head, Taptite, 5/16-18 x 1
0350	1706645ASM	2	TRUNNION-2.00WD-BLACK
0370	1960489SM	1	BOLT-RD HD SQ NK 1/2-
0380	1755004AYP	1	ARM, EHOc
0390	1679166SM	1	SPACER, 1/2 x 7/8 x 1 3/16
0400	1715892SM	1	TRUNNION
0410	1704314SM	1	LUBE FITTING, .250 DR
0420	1731383ASM	2	CHAIN, Link, 2 Links
0440	5025156SM	14	WASHER, 3/8 SAE
0450	1960689SM	1	NUT, Hex, Toplock Flange, 1/2-13
0460	1754969AYP	1	SHAFT, Rocker
0470	1960074SM	4	CLIP, HAIR PIN .093DI
0480	2118053SM	2	PIN. Round Head, .375 X 2
0490	1924366SM	4	WASHER, 5/8
0500	1915726SM	4	NUT, Hex, 5/8-11
0510	1750618YP	1	SENSOR, Electric Height Of Cut
0520	1664847SM	6	SCREW, Hex Washer Head, Taptite, 5/16-18 x 3/4
0530	1755554AYP	2	BRACKET, Upstop
0540	1755556YP	1	ROD & SPACER ASSEMBLY
0550	1960581SM	1	PIN-SPRING .188 X 1.5
0560	1715891SM	1	BEARING, Thrust

# 52" (132cm) Mower Deck - Height Adjust & Roller Group

Note: Unless noted otherwise, use the standard torque specifications

Mfg. No: 2691676-00





## 52" (132cm) Mower Deck - Height Adjust & Roller Group

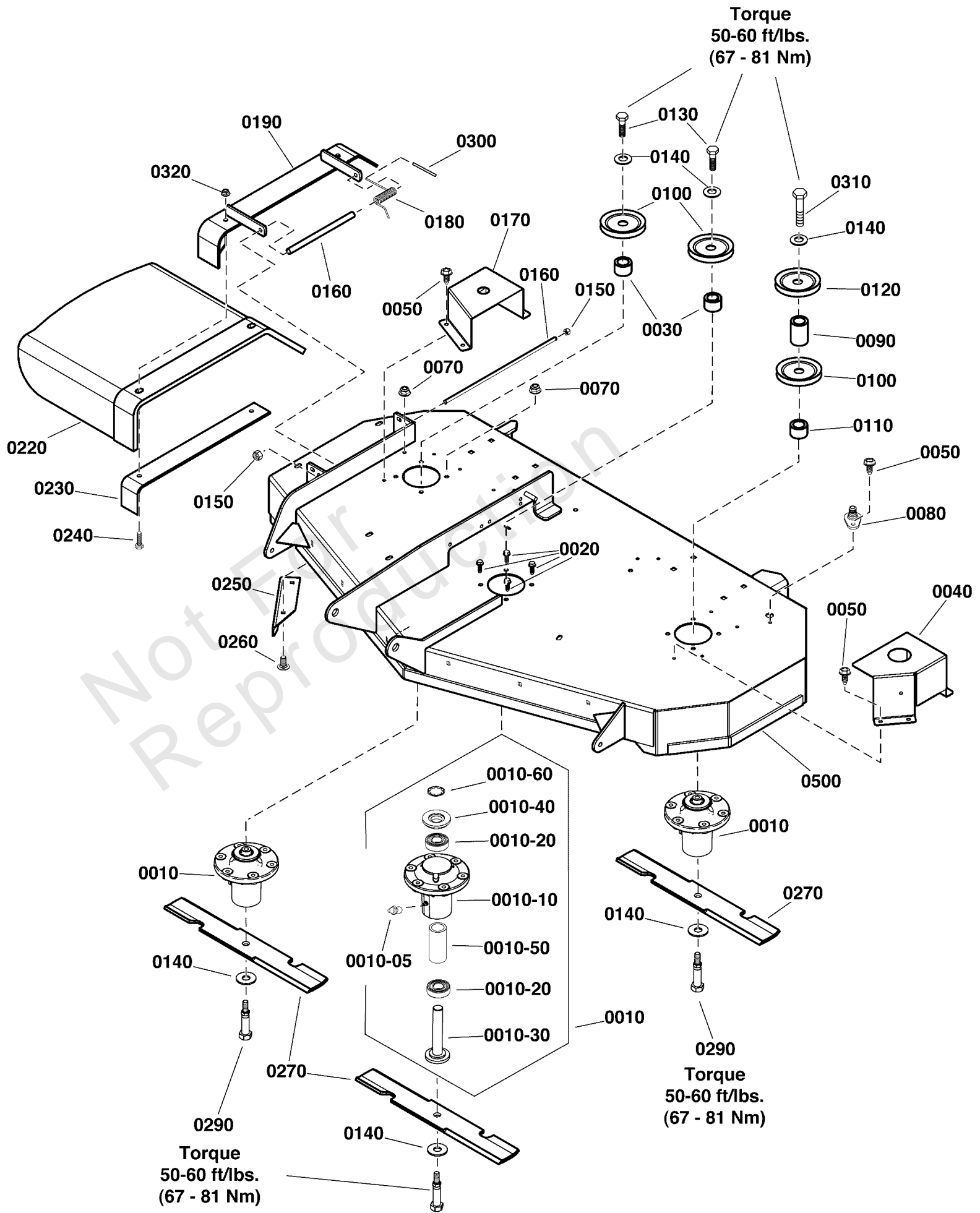
REF NO	PART NO	QTY	DESCRIPTION
0570	1716998SM	1	WASHER
0580	1960685SM	1	NUT, Hex KEPS, 1/4-20
0590	1715886SM	1	ADAPTER, Motor
0600	2860664SM	3	SCREW, HEX SEMS WSHR,
0610	1715885SM	1	MOTOR, Electric
0620	1715887SM	1	HUB
0630	1755503AYP	1	BRACKET, Support, EHOC
0640	1760433YP	1	HARNESS
0650	84003591	1	BOLT, FLANGE
0660	1921963SM	1	CAPSCREW, Hex Flange Head, 1/4-20 x 2
0670	5101215YP	1	SPACER, .26 X .38 X 1
0680	703332	1	WASHER
0690	703463	1	NUT, GR5,1/4-20

Not For Reproduction

# 52" (132cm) Mower Deck - Housing, Arbors & Blades Group

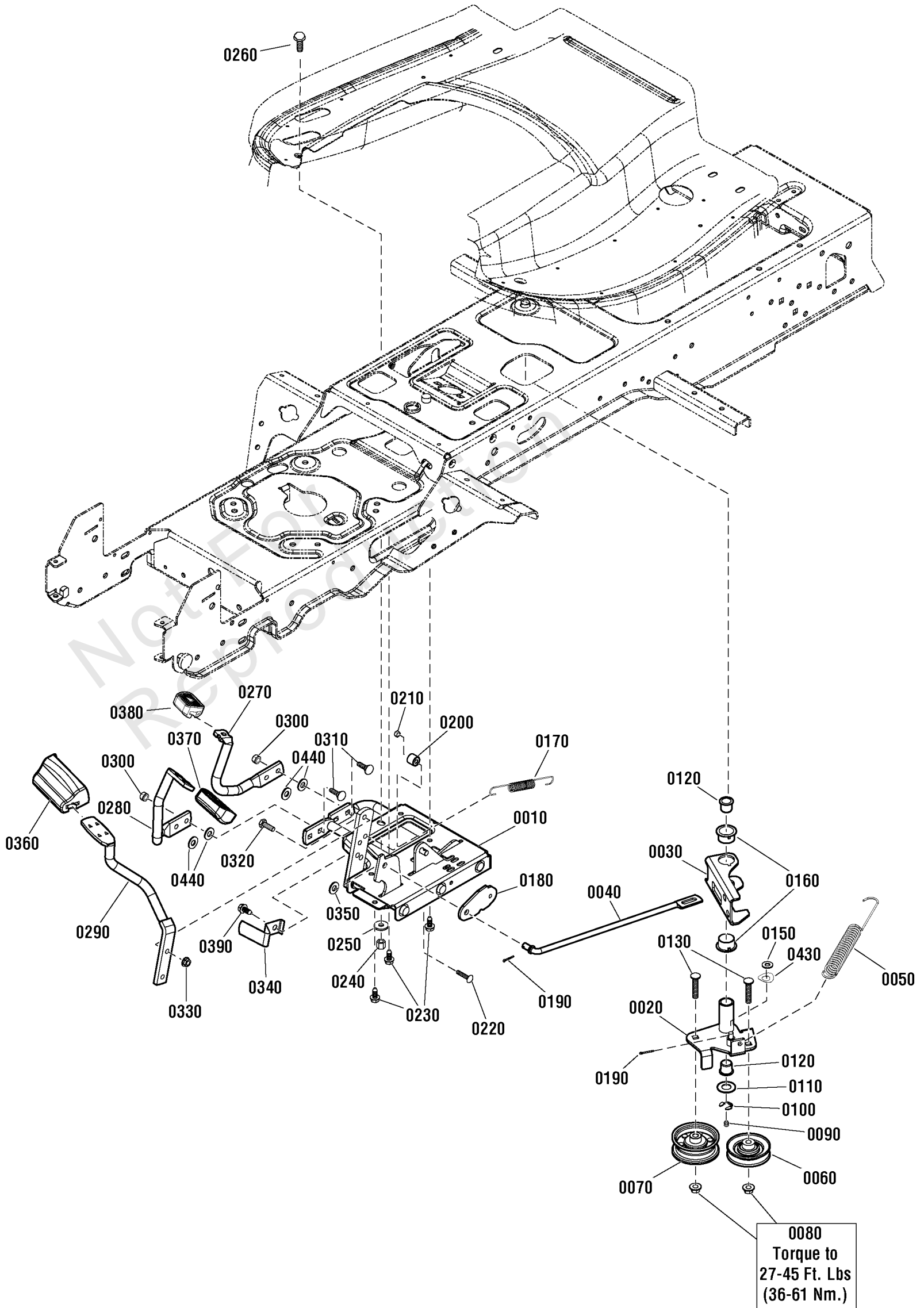
Note: Unless noted otherwise, use the standard torque specifications

Mfg. No: 2691676-00



## 52" (132cm) Mower Deck - Housing, Arbors & Blades Group

REF NO	PART NO	QTY	DESCRIPTION
0010	84003174	3	ARBOR ASSEMBLY
0010-05	1704314SM	1	LUBE FITTING, .250 DR
0010-10	84003653	1	HOUSING ASSEMBLY
0010-20	1735399YP	2	BEARING, Ball, 20mm
0010-30	84003655	1	SPINDLE ASSEMBLY
0010-40	84003166	1	COVER, ARBOR
0010-50	84003167	1	SPACER, BEARING
0010-60	1960766YP	1	RING, SELF LOCKING
0020	704146	18	SCREW, HEX, 5/16-18X1
0030	1737457YP	2	SPACER, Pulley
0040	84004328	1	COVER, Arbor, LH
0050	703228	8	SCREW, 5/16-18 X .75
0070	703115	2	NUT
0080	1756247YP	1	ADAPTER, Washout Port
0090	706364	1	SPACER, HUB
0100	1755470YP	3	PULLEY, Deep Groove, 4 1/4
0110	84003706	1	SPACER
0120	1732951SM	1	PULLEY-04.60 OD 1.000
0130	1920676SM	2	CAPSCREW, Hex Head, 7/16-14 X 1
0140	1656916SM	6	WASHER, SPRING 0.475I
0150	5025045SM	2	NUT, 5/16-24 HEX NYLO
0160	5042555SM	1	ROD, BRAKE LINKAGE
0170	84004329	1	COVER, Arbor, RH
0180	5023385SM	1	SPRING, TORSION
0190	5413404AYP	1	MOUNT, Discharge
0220	5402404SM	1	CHUTE, DISCHARGE, BEND RUBBER, 44/48/52 (5100842)
0230	5402362AYP	1	SUPPORT, DSCHRG CHUTE
0240	703406	2	CAPSCREW,3/8-16X1.5
0250	5405557YP	1	PLATE
0260	703800	2	BOLT, CRRG, 5/16-18X1
0270	1756152YP	3	BLADE-MOWER
0290	1920676SM	3	CAPSCREW, Hex Head, 7/16-14 X 1
0300	5023489SM	1	CAP, PROTECTOR, .120
0310	84004720	1	BOLT, 7/16-14 x 3 1/2
0320	703158	2	NUT, Hex Flange, 3/8-16
0500	1687719YP	1	KIT, Mower Deck 52", Orange



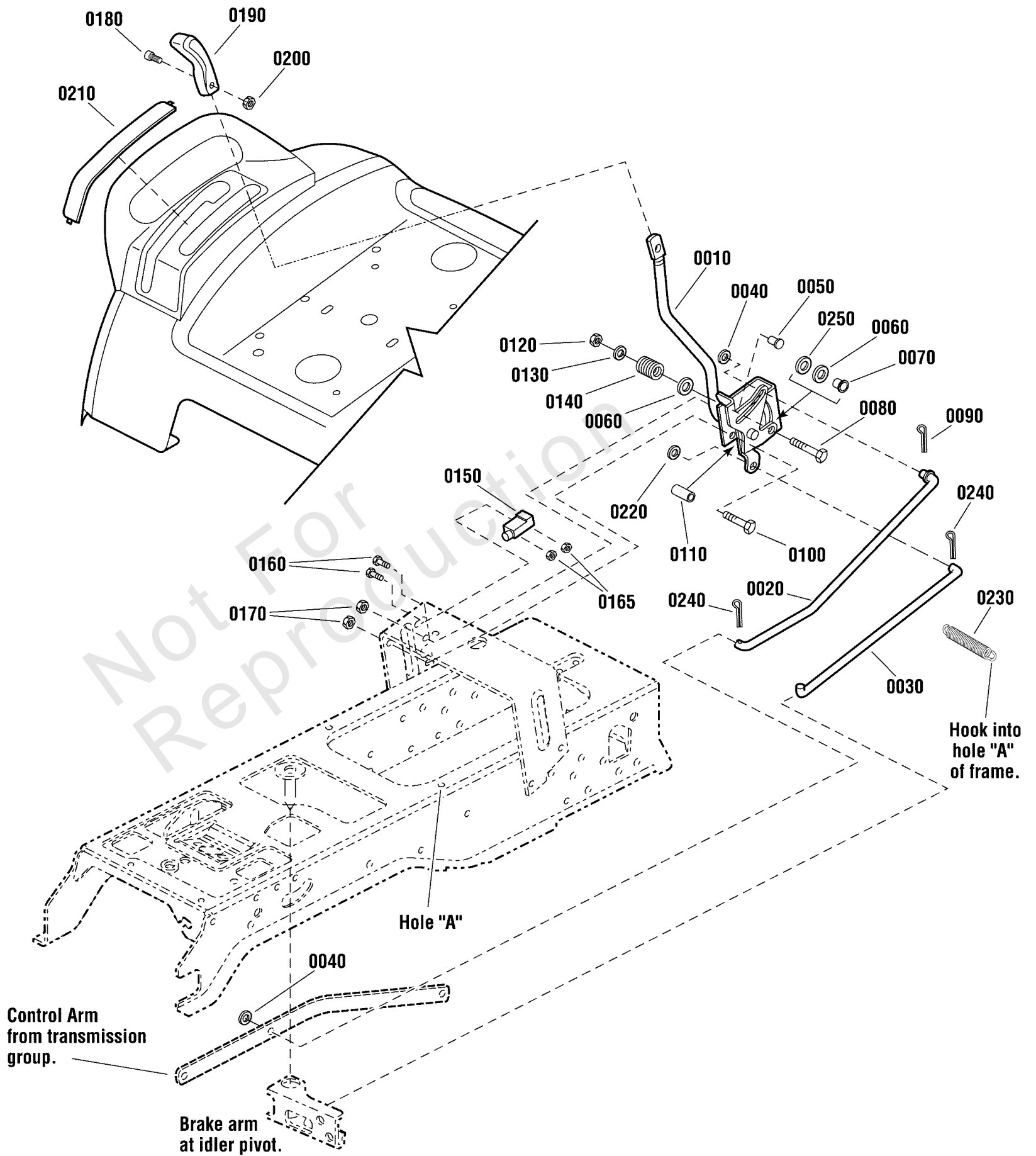
## Controls Group

REF NO	PART NO	QTY	DESCRIPTION
0010	1755599AYP	1	FOOT PEDAL ASSEMBLY
0020	1726882SM	1	IDLER ARM ASSEMBLY
0030	1722513SM	1	ARM, Brake, 5.43
0040	1721476SM	1	ROD, Brake
0050	1725250SM	1	SPRING, Extension, 7-3/4
0060	1721134SM	1	PULLEY, 3" OD
0070	1721133SM	1	PULLEY, IDLER
0080	1960687SM	2	NUT, Hex Flange, ESNA, 3/8-16
0090	2821133SM	1	FITTING, Lube
0100	1704420SM	1	RING, Klipring, 5/8
0110	1960020SM	1	WASHER, Plain, 21/32
0120	1663114SM	2	BUSHING, Nylon, 5/8 ID x 3/4 OD x 3/4
0130	1931353SM	2	BOLT, Carriage, Short Neck, 3/8-16 x 1-3/4, GR5
0150	1919326SM	1	WASHER, 5/16
0160	1723237SM	2	BUSHING, Nylon, 1 x 1-1/8 x 5/8
0170	1721995SM	1	SPRING, Extension, 5/8 x 6-5/8
0180	1755598AYP	1	LATCH, Parking Brake
0190	703312	2	PIN, COTTER, 3/32X.75
0200	1732564SM	1	SPACER, 1/4 x 5/8 x 1/2
0210	1920397SM	1	NUT, Hex Lock, ESNA Light, 1/4-20
0220	1931320SM	1	BOLT, Carriage, Short Neck, 1/4-20 x 1-1/4, GR5
0230	703228	3	SCREW, 5/16-18 X .75
0240	1919438SM	1	NUT, Hex Lock, ESNA Light, 5/8-18
0250	1919381SM	1	WASHER, 5/16
0260	703410	1	BOLT, 5/16-18X1
0270	1722071ASM	1	PEDAL, Reverse
0280	1722070ASM	1	PEDAL, Forward
0290	1722535ASM	1	PEDAL, Brake
0300	704067	4	NUT, HEX FLNG, 5/16-18
0310	703800	4	BOLT, CRRG, 5/16-18X1
0320	703570	2	CAPSCREW, Hex Head, 5/16-18 x 1 1/4
0320	703570	2	CAPSCREW, Hex Head, 5/16-18 x 1 1/4
0330	1927557SM	2	NUT, Hex Flange, Whiz Lock, 5/16-18
0340	1755620AYP	1	ACTUATOR, Switch
0350	1924940SM	1	WASHER, 3/8
0360	1721577SM	1	PAD, Brake Pedal
0370	1721675SM	1	PAD, Foot Pedal, Forward
0380	1721674SM	1	PAD, Foot Pedal, Reverse
0390	5025059X6SM	1	SCREW, Self Tapping, 5/16-18 x 3/4
0430	5023202SM	1	WASHER, WAVE, M10
0440	703878	4	WASHER, FLAT

# Cruise Control Group

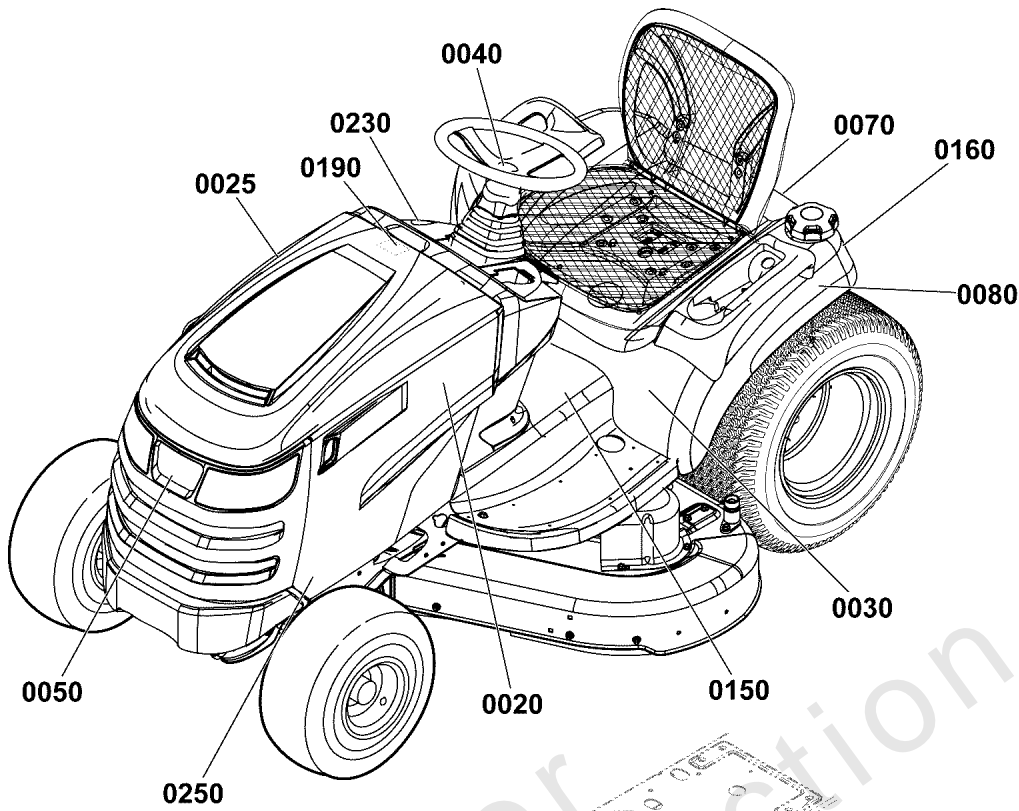
Note: Unless noted otherwise, use the standard torque specifications

Mfg. No: 2691676-00



## Cruise Control Group

REF NO	PART NO	QTY	DESCRIPTION
0010	1722003AYP	1	LEVER & BRACKET ASSEMBLY, Cruise
0020	1722117SM	1	ROD, Cruise
0030	1733719SM	1	ROD, Return
0040	1960103SM	3	WASHER, 3/8"
0050	1931333SM	1	BOLT, Carriage, 5/16-18 x 3/4
0060	2826192SM	2	WASHER, 1/2
0070	1709043SM	1	SPACER, w/Flange, 11/32 x 15/32 x 3/4
0080	1931342SM	1	BOLT, Carriage, 5/16-18 x 2-3/4
0090	1918447SM	1	PIN, Cotter
0100	1960273SM	1	BOLT, Carriage, 5/16-18 x 2-1/4
0110	1722080SM	1	SPACER, .357 x 5/8 x 1.4
0120	1919438SM	1	NUT, Hex Lock ESNA Light, 5/16-18
0130	1919381SM	1	WASHER, 5/16
0140	1677746SM	1	SPRING, Compression
0150	1717050SM	1	SWITCH-PUSH BUTT
0160	1933737SM	2	SCREW, Hex Washer Head, 10-24 x 5/8
0165	1960591SM	2	NUT, Hex, 10-24
0170	1960636SM	2	NUT, Hex KEPS, 5/16-18
0180	1960666SM	1	SCREW, Torque Head Plus Socket Head, 1/4-20 x 7/8
0190	1722303SM	1	HANDLE, SHIFT
0200	1920397SM	1	NUT, Hex Lock ESNA Light, 1/4-20
0210	1722314SM	1	COVER, w/Cruise Icon
0220	704015	1	WASHER, FLAT 5/16
0230	2159106SM	1	SPRING, Cruise Return to Frame
0240	1722460SM	2	PIN, Quick
0250	1705928SM	1	DISK, Friction -( -Used before serial Nos 2017753000 )



<p><b>Amputation hazard</b> Rotating blades cut off arms and legs.</p> <ul style="list-style-type: none"> <li>• Stop the mower when children or others are near.</li> <li>• Do not carry riders especially children over with the blades off. They may fall off or return to another side when you are not expecting it.</li> <li>• Lock down and behind before and while backing.</li> </ul>	<p><b>Loss of control and roll-over hazard</b> Operating on slopes can be hazardous and cause loss of control and roll-overs.</p> <ul style="list-style-type: none"> <li>• Avoid sudden turns or rapid speed changes.</li> <li>• Reduce speed and use extreme caution on slopes.</li> <li>• Do not operate on slopes over 10 degrees.</li> <li>• If machine stops while going uphill, stop the blades and back down slowly.</li> </ul>	<p><b>Water, retaining walls and drop-off hazards</b> Wheels dropping over edges may result in serious injury, death or drowning.</p> <ul style="list-style-type: none"> <li>• Do NOT operate near water, retaining walls or drop-offs.</li> <li>• Give yourself a minimum of two meter width of clearance around these hazards.</li> </ul>
<p><b>WARNING</b></p> <p><b>Avoid serious injury or death</b> Read the operator's manual before using this product.</p> <ul style="list-style-type: none"> <li>• Do NOT operate this machine unless you are trained.</li> <li>• Know the location and function of all controls.</li> <li>• Keep safety devices (guards, shields, switches, etc.) in place and working.</li> <li>• Remove objects that could be thrown by the blades.</li> <li>• Be sure blades and engine are stopped before loading, unloading or fueling.</li> <li>• When leaving machine, shut off, remove key and set parking brake.</li> </ul>		
<p><b>Fire hazard</b> Gasoline is flammable. Hot debris is combustible.</p> <ul style="list-style-type: none"> <li>• Allow engine to cool for at least 3 minutes before refueling.</li> <li>• Keep unit clear of debris.</li> <li>• This equipment may create sparks that can start fires around dry vegetation. A spark arrester may be required. Contact local fire agencies for regulations relating to fire prevention requirements.</li> </ul>		

0150

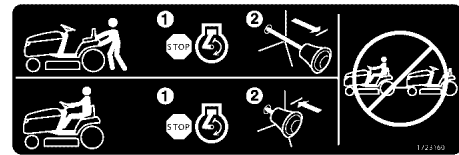
**DANGER**

**Amputation and thrown objects hazard**

- Keep hands and feet away from deck.
- Do not operate mower unless discharge chute or entire grass catcher is in its proper place.

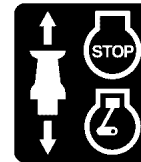
7101655

1010



0160

0010  
EVAP decal  
placed next  
to serial label

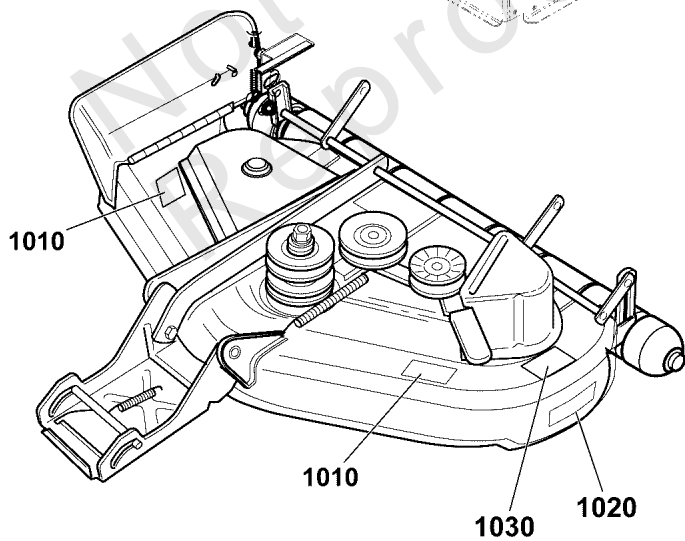


0230

**TOUCH-UP PAINT PART NUMBERS**

13 Oz. Spray Can Paint	1685611
Deep Orange	1687192
Textured Black	

0190



0250



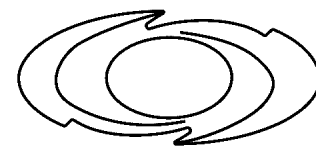
0040

**Simplicity**

0020 / 0025

**CONQUEST™**

0030



0050

**Simplicity**

0060

**AUTOMATIC CONTROLLED TRACTION™**

0070

**52"**  
**132cm**

1030

**FREE FLOATING MOWER**

1020

**POWER STEERING**

0080



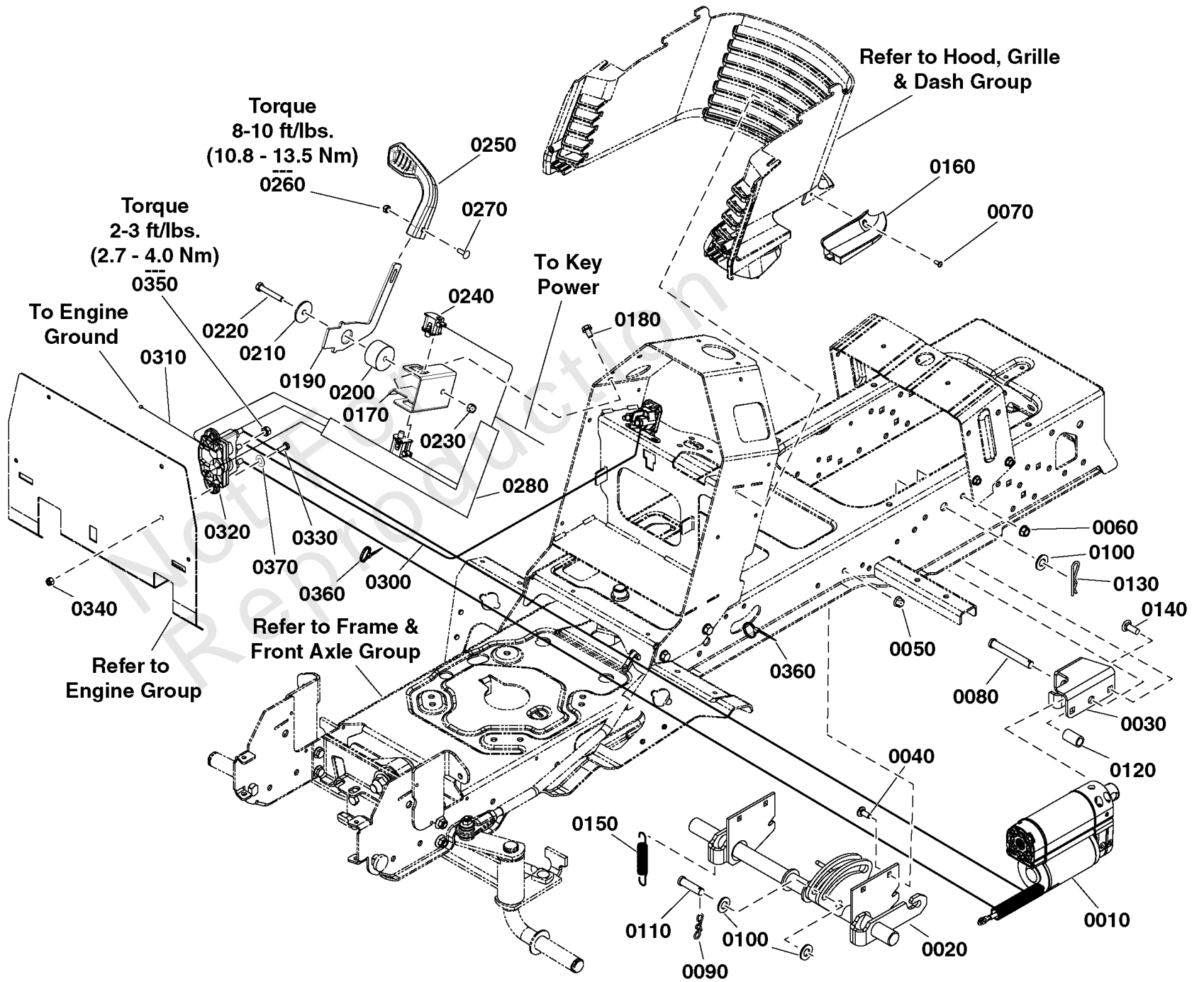
## Decals Group

REF NO	PART NO	QTY	DESCRIPTION
0010	-----	1	DECAL, EVP, 49 State
0020	1755902YP	1	DECAL, Logo, Simplicity, LH
0025	1755903YP	1	DECAL, Logo, Simplicity, RH
0030	772330	1	DECAL
0040	1755843YP	1	DECAL, Logo, Steering Wheel
0050	1755798YP	1	DECAL, 3D, Logo, Simplicity
0060	1757673YP	1	DECAL, SMI LOGO 10.47
0070	84004399	1	DECAL, Automatic Controlled Traction
0080	84004401	1	DECAL, Power Steering
0150	1755389YP	1	DECAL, Tunnel Cover Danger Slopes
0160	1723160SM	1	DECAL, Transmission Release Valve
0190	1720454SM	1	DECAL, Hood (Underside), Touch-Up Paint, Simplicity & AGCO-Allis
0230	84003695	1	DECAL, KEY FOB, CONTROL
0250	1758877YP	1	DECAL, SCS
1010	7101665YP	2	DECAL, DANGER
1020	1755726YP	1	DECAL, Free Floating Deck
1030	1755721YP	1	DECAL, 52"/132cm

# Electric Lift Group

Note: Unless noted otherwise, use the standard torque specifications

Mfg. No: 2691676-00



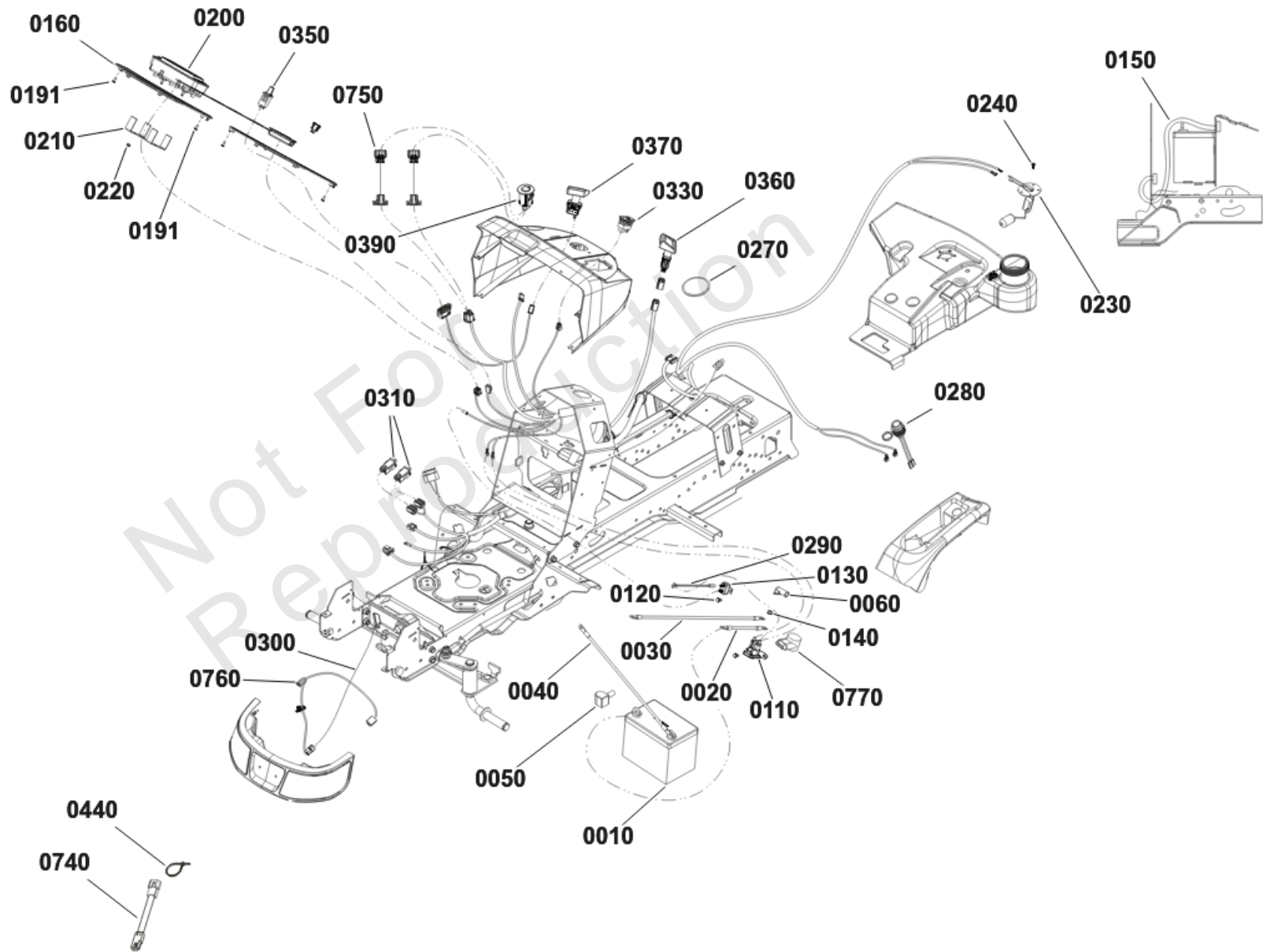
## Electric Lift Group

REF NO	PART NO	QTY	DESCRIPTION
0010	84003773	1	ACTUATOR
0020	84003699	1	SHAFT ASSEMBLY, Lift
0030	84003751	1	SUPPORT
0040	703185	4	BOLT, Round Head, Short Square Neck
0050	703115	4	NUT
0060	703333	2	NUT, 3/8-16
0070	1739329YP	1	SCREW, PT Thread, 5mm Dia. x 12mm
0080	1725223SM	1	PIN, Clevis
0090	1722320SM	1	PIN, Cotter, Locking,
0100	704123	3	WASHER, .531X1.06X.094
0110	84005130	1	PIN, CLEVIS
0120	84003784	1	SPACER
0130	1960033SM	1	CLIP, Hair Pin
0140	703815	2	BOLT, RD SQ 3/8-16X1
0150	2156302SM	2	SPRING, Extension
0160	1755441YP	1	PLUG, Dash Lift
0170	84003957	1	BRACKET
0180	703985	2	SCREW, 5/16-18X.5
0190	84003776	1	LEVER
0200	84004945	1	SPACER
0210	1920283SM	1	WASHER, Flat, 11/32 x 1-1/2 x 7/64
0220	703867	1	CAPSCREW, 5/16-18 X 2
0230	703902	1	NUT, HEX, 5/16-18
0240	84003777	2	SWITCH
0250	84003726	1	HANDLE
0260	84004946	1	NUT, Acorn, 1/4-20
0270	703584	1	BOLT, 1/4-20X1, GR5
0280	84003775	1	HARNESS
0300	84004339	1	CABLE, Power
0310	84003740	1	CABLE
0320	84003769	1	CONTACTOR
0330	703925	2	CAPSCREW, 1/4-20X.75
0340	703232	2	NUT, 1/4-20, NYLOCK
0350	2860750SM	4	NUT-HEX KEPS 5/16-24
0360	703586	1	TIE, SELF LOCKING
0370	703332	2	WASHER

# Electrical Group

Note: Unless noted otherwise, use the standard torque specifications

Mfg. No: 2691676-00



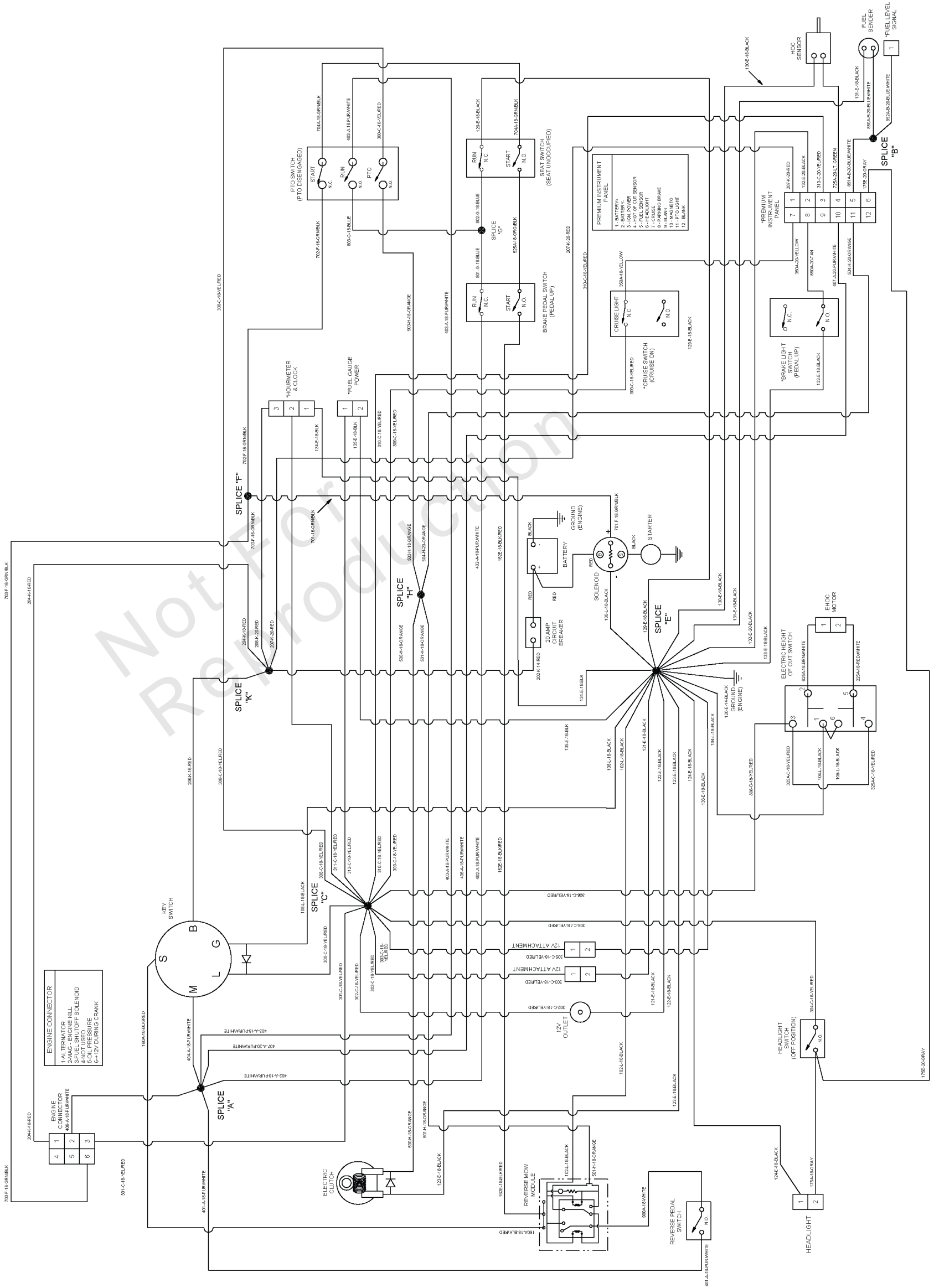
## Electrical Group

REF NO	PART NO	QTY	DESCRIPTION
0010	-----	1	BATTERY, 11U1L, 350 CCA
0020	1755468YP	1	CABLE, Electric, #6 X 8", Red
0030	1721830SM	1	CABLE, #6 25.0 Lg Red
0040	1755469YP	1	CABLE, Electric, #6 X 17.5", Black
0050	1677296SM	1	BOOT,INSULATOR BATTER
0060	1713535SM	1	BOOT, Insulator, Red
0110	772333	1	SOLENOID, Starter
0120	704130	2	SCREW, HEX, 1/4-20X.5
0130	1665238SM	1	BREAKER-CIRCUIT
0140	2860750SM	2	NUT-HEX KEPS 5/16-24
0150	1722009SM	1	STRAP, Rubber, 13"
0160	84003725	1	BEZEL
0191	1739329YP	2	SCREW, PT Thread, 5mm Dia. x 12mm
0200	1755165YP	1	PANEL, Instrument
0210	1739681BMYP	1	BRACKET, Instrument Panel
0220	67885GS	2	NUT, Nylock, M6-1.0
0230	1737523YP	1	SENDER, Fuel Tank
0240	2860665SM	5	SCREW, Pan Head, Torx, 10-32 x 1/2
0270	1722309SM	1	PLUG, Hole 3", Round
0280	1725302SM	1	OUTLET, 12 Volt
0290	1665237SM	1	WIRE, 12 Gauge, 7.9 LG
0300	84003739	1	HARNESS, Main
0310	7022886YP	2	SWITCH, DP NO/NC SNAP
0330	1761897YP	1	SWITCH, Reverse Mow Option
0350	1761475YP	1	SWITCH, Height of Cut
0360	1757736YP	1	SWITCH, PTO
0370	1757737YP	1	SWITCH, Headlight
0390	84003613	1	SWITCH ASSEMBLY, Push Button Start
0440	703586	8	TIE, SELF LOCKING
0740	1759981YP	1	HARNESS, Fuel Shut Off
0750	84003694	1	ADAPTER, Harness
0760	84003744	1	HARNESS, Headlight
0770	84004739	1	BOOT, Insulator, Red

# Electrical Schematic -

Note: Unless noted otherwise, use the standard torque specifications

Mfg. No: 2691676-00



**Electrical Schematic -**

---

REF NO	PART NO	QTY	DESCRIPTION
0010	84003739	1	HARNESS, Main

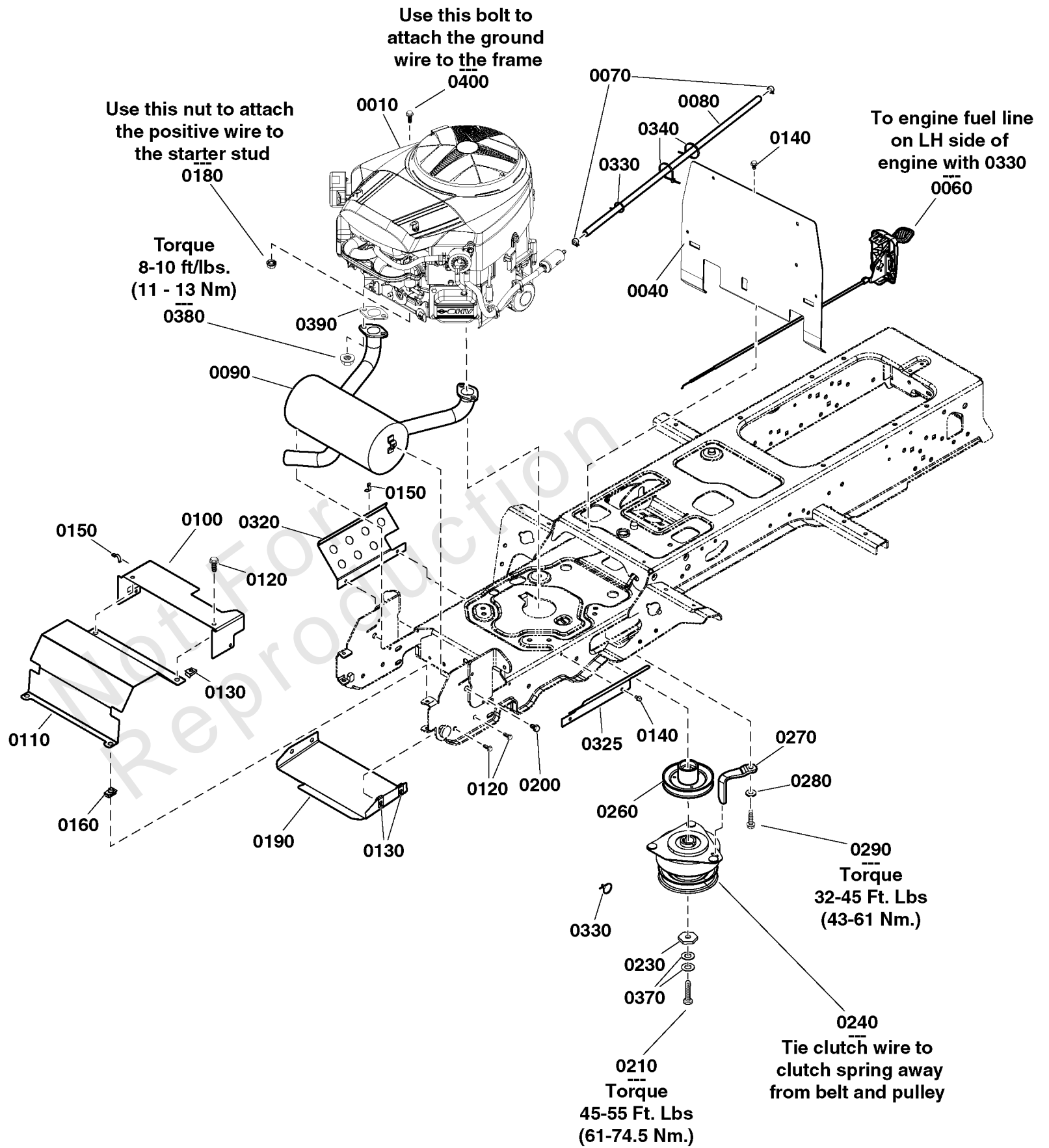
---

Not For Reproduction

# Engine Group - 25 Gross HP Briggs & Stratton

Note: Unless noted otherwise, use the standard torque specifications

Mfg. No: 2691676-00





## Engine Group - 25 Gross HP Briggs & Stratton

REF NO	PART NO	QTY	DESCRIPTION
0010	44T977-0040-G1	1	* ENGINE, 25 Gross HP Briggs & Stratton -( Engine Model: 44T977-0040-G1 )
0040	84004275	1	FIREWALL
0060	1754915YP	1	THROTTLE
0070	93053B	2	CLAMP, Hose
0080	199086X46YP	1	HOSE, Fuel
0090	1721706SM	1	MUFFLER, Briggs & Stratton, INTEK Twin
0100	1754704AYP	1	DUCT, Muffler
0110	1754682AYP	1	DUCT, Muffler, Top
0120	1960295SM	6	CAPSCREW, Hex Flange, Whiz Lock, 1/4-20 x 5/8
0130	1960368SM	6	NUT, Speed Lug Type, 1/4-20
0140	1927428SM	6	CAPSCREW, Hex Washer Head Taptite, 1/4-20 x 3/8
0150	703176	2	CLIP, Wire
0160	1935255SM	2	NUT, SPEED, 5/16-18 L
0180	703233	1	NUT, 1/4-20, GR5
0190	1722414ASM	1	SHIELD, Muffler Bottom
0200	703985	2	SCREW, 5/16-18X.5
0210	771023	1	CAPSCREW, Hex Head, Loctite, 7/16-20 x 3 1/2
0230	1708264SM	1	WASHER, HEX, 0.453ID
0240	1736105SM	1	CLUTCH, ELECTRIC
0260	1732576SM	1	PULLEY & HUB ASSEMBLY, Engine
0270	1737421AYP	1	GUIDE, Belt
0280	1924940SM	1	WASHER, 3/8, .41 ID x .87 OD x .08 THK
0290	704010	4	SCREW, HEX, 3/8-16
0320	84004681	1	SHIELD, RH
0325	1722392ASM	2	SHIELD, Side, Heat
0330	2832747SM	2	TIE, Self Locking, 3-5/8 LG
0340	703586	1	TIE, SELF LOCKING
0370	1960769YP	2	WASHER, Belleville
0380	690941	4	NUT
0390	799117	2	GASKET SET, Engine
0400	703054	1	SCREW, 1/4-20X0.625

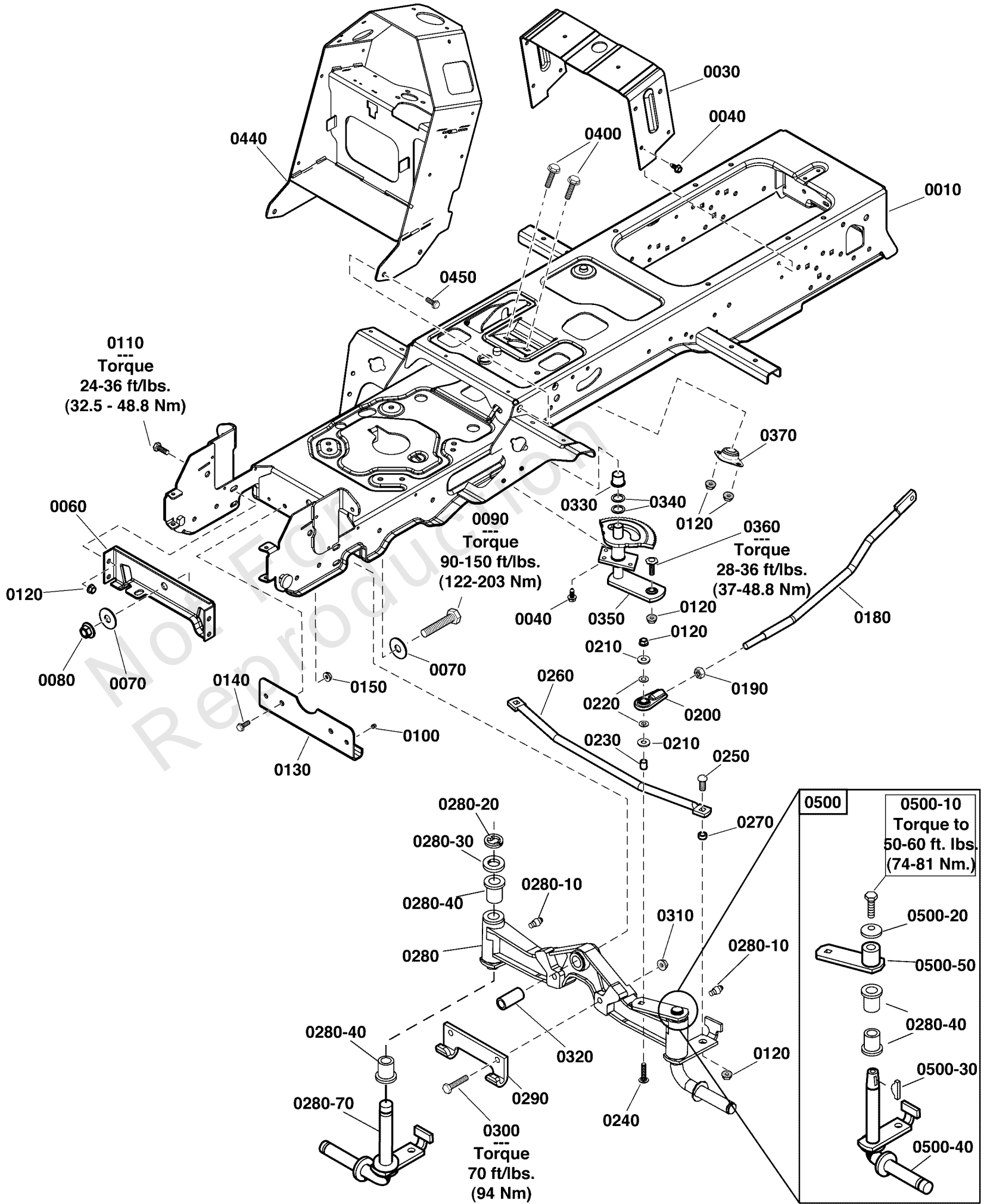
### Footnotes:

Note:\* To verify your specific engine model, please reference the ID Tag located on your engine. See your local Briggs & Stratton distributor for parts and service.

# Frame & Front Axle Group

Note: Unless noted otherwise, use the standard torque specifications

Mfg. No: 2691676-00



## Frame & Front Axle Group

REF NO	PART NO	QTY	DESCRIPTION
0010	-----	1	FRAME -(Not a serviceable part)
0030	1752878AYP	1	SUPPORT, Seat Deck
0040	703228	6	SCREW, 5/16-18 X .75
0060	1722212ASM	1	PLATE-AXLE SUPPORT-BL
0070	1960035SM	2	WASHER-0.625(0.64IDX1
0080	2860646SM	1	NUT, Hex Flange, Two Way Lock, 5/8-11
0090	2860645SM	1	CAPSCREW, Hex Head, 5/8-11 x 3-1/2, GR5
0100	2821133SM	2	FITTING, Lube
0110	1933260SM	4	BOLT, Serrated Flange, 3/8-16 x 3/4, GR5
0120	1930645SM	10	NUT, Hex Flange, Two Way Lock, 3/8-16
0130	1724801ASM	1	PLATE, Axle Wear
0140	1930591SM	2	SCREW, Hex Flange, Whiz Lock, 5/16-18 x 3/4
0150	1931277SM	2	NUT, Hex Flange, Whiz Lock, 5/16-18
0180	1722541SM	1	LINK, Drag
0190	1919262SM	1	NUT, Hex Jam, 1/2-20
0200	1702779SM	1	JOINT-BALL .500-20 TH
0210	704128	2	WASHER
0220	1960103SM	2	WASHER, 3/8"
0230	1708236SM	1	SPACER, 0.377 x 1/2 x 5/8"
0240	703858	1	BOLT, 3/8-16X1.75
0250	1931350SM	2	BOLT, RD HD SH SQ NK
0260	1722626ASM	1	TIE ROD
0270	1611705SM	2	SPACER-0.385IDX0
0280	1722200ASM	1	AXLE ASSEMBLY, w/ LH Spindle, Complete
0280-10	1704314SM	3	LUBE FITTING, .250 DR
0280-20	2832577SM	1	RING, Retainer
0280-30	703149	1	WSHR
0280-40	1721682SM	6	BUSHING, 1 ID x 1-1/4 OD x 3/4"
0280-70	1722199SM	1	SPINDLE ASSEMBLY, RH
0290	1721918ASM	1	HOOK, Mower Hitch
0300	1927531SM	2	CAPSCREW-HEX HD 7/16-
0310	1930650SM	2	NUT-HEX FLANGE 7/16-1
0320	1721752SM	1	SPACER, 5/8 x 1 x 2"
0330	2176440SM	1	BUSHING-0.765IDX
0340	703151	2	WSHR
0350	1724470ASM	1	STEERING GEAR ASSEMBLY
0360	1960032SM	1	SCREW, Hex Head, 3/8-16 x 1 1/4
0370	1722459SM	1	BEARING, 3/4 x 1-11/16 x 13/16, 3" Long Housing
0400	703407	2	SCREW
0440	84003958	1	TOWER
0450	703950	4	SCREW, 3/8-16X.75
0500	1686985SM	1	SPINDLE REPLACEMENT K
0500-10	2823485SM	1	CAPSCREW, 3/8-16 x 7/8, GR8
0500-20	1663151SM	1	WASHER, Spring, 3/8
0500-30	2830671SM	1	KEY, Woodruff
0500-40	1724264SM	1	SPINDLE, LH
0500-50	1725112SM	1	HUB & ARM ASSEMBLY



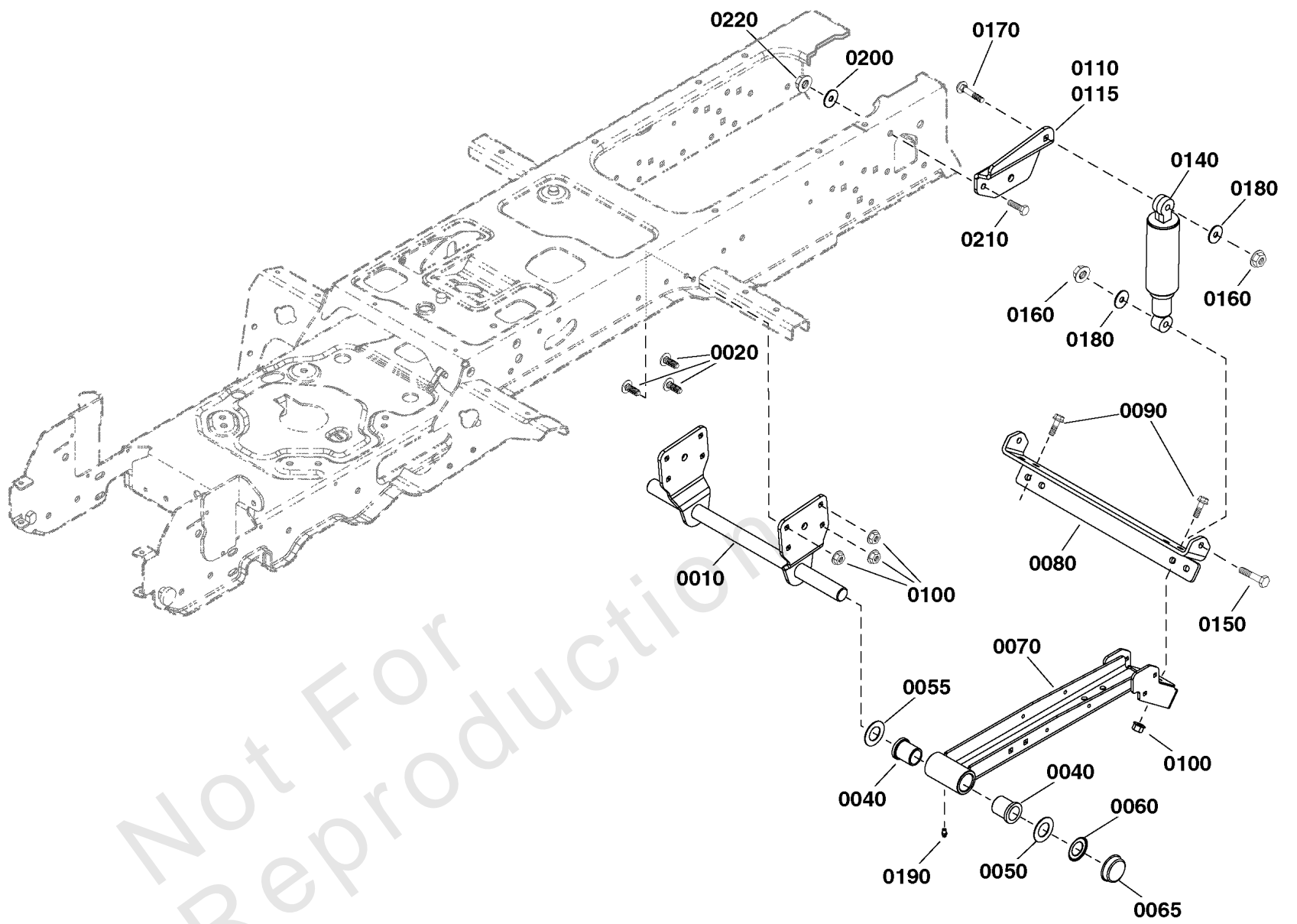
## Hood, Grille & Dash Group

REF NO	PART NO	QTY	DESCRIPTION
0010	1754921CYP	1	HOOD, Top
0020	1754925CYP	1	PANEL, Side, RH
0030	1754924CYP	1	PANEL, Side, LH
0040	1754936YP	1	HEADLIGHT ASSEMBLY (LED)
0050	1754922CYP	1	GRILLE, Front
0060	1930641SM	12	NUT, Hex Flange, Whiz Lock, 1/4-20
0070	84003728	1	DASH, Upper
0075	1754859YP	1	DASH, Lower
0080	1755578YP	1	HOOD HINGE ASSEMBLY, LH
0090	1755577YP	1	HOOD HINGE ASSEMBLY, RH
0100	84003727	1	ROD, Dash Support
0110	770135	1	SCREW
0120	703463	1	NUT, GR5, 1/4-20
0125	704130	1	SCREW, HEX, 1/4-20X.5
0130	1960295SM	8	SCREW, Hex Flange, Whiz Lock, 1/4-20 x 5/8
0140	7102326YP	1	AIR DUCT, Plenum
0150	1755815YP	2	BUMPER, Rubber
0160	1755223YP	1	GUIDE, Hood, RH
0170	1755224YP	1	GUIDE, Hood, LH
0180	1926018SM	4	NUT, Speed, 1/4
0190	703054	8	SCREW, 1/4-20X0.625
0200	1754918YP	1	TRIM
0210	703582	2	CLIP, Panel
0220	1755457YP	1	PLUG, Dash Knob
0230	1754862YP	1	KNOB, Parking Brake
0240	1755594YP	1	ROD, Parking Brake
0250	1921319SM	1	WASHER, 184
0260	1722460SM	1	PIN, Quick, 1.19"
0265	1755598AYP	1	LATCH, Parking Brake
0270	1754923AYP	1	BUMPER
0280	1755506AYP	1	SUPPORT, Front Bumper
0300	703228	5	SCREW, 5/16-18 X .75
0320	1960521SM	3	NUT, Push
0330	7012652YP	2	CLIP, Wire, 7/16
0340	1756204AYP	1	STRIP, Hood Support
0350	1960611SM	4	SCREW-HEX WZ LOCK FL
0360	1960536SM	2	SCREW, HEX WSHR HD PL
0370	1758731YP	1	INSULATION, 2 x 12 1/2
0390	84004638	1	SEAL, Hood Shroud
0400	84004684	1	SEAL, Edging

# Rear Suspension Group

Note: Unless noted otherwise, use the standard torque specifications

Mfg. No: 2691676-00



## Rear Suspension Group

REF NO	PART NO	QTY	DESCRIPTION
0010	84004261	1	CARRIER SUPPORT
0020	1931334SM	6	BOLT, Carriage, Short Neck, 5/16-18 x 7/8, GR 5
0040	5021541SM	4	BUSHING, FLANGE
0050	703199	2	WASHER, 1
0055	84004830	2	WASHER, 1"
0060	703200	2	PUSHNUT
0065	094618MA	2	HUB CAP
0070	84004828	2	CARRIER ARM ASSEMBLY
0080	1754642AYP	1	BRACKET, Support, Rear Swing Arm
0090	703410	8	BOLT,5/16-18X1
0100	1960686SM	14	NUT, Hex Flange Nylock, 5/16-18
0110	1754646AYP	1	BRACKET, Shock Mount, RH -( Not Shown )
0115	1755430AYP	1	BRACKET, Shock Mount, LH
0140	1755531YP	2	*ABSORBER, Shock
0140	1758705YP	2	SHOCK ABSORBER, 10.5"
0150	1921971YP	4	CAPSCREW, Hex Head, 3/8-16 x 1-3/4 GR5
0160	1960687SM	2	NUT, Hex Flange Nylock, ESNA, 3/8-16
0170	1931353SM	4	BOLT, Carriage, Short Neck, 3/8-16 x 1-3/4, G5
0180	5025165SM	2	WASHER, 3/8" FENDER
0190	1704314SM	2	LUBE FITTING, .250 DR
0200	704128	2	WASHER
0210	703407	2	SCREW
0220	703793		LOCKNUT

---

**Footnotes:**

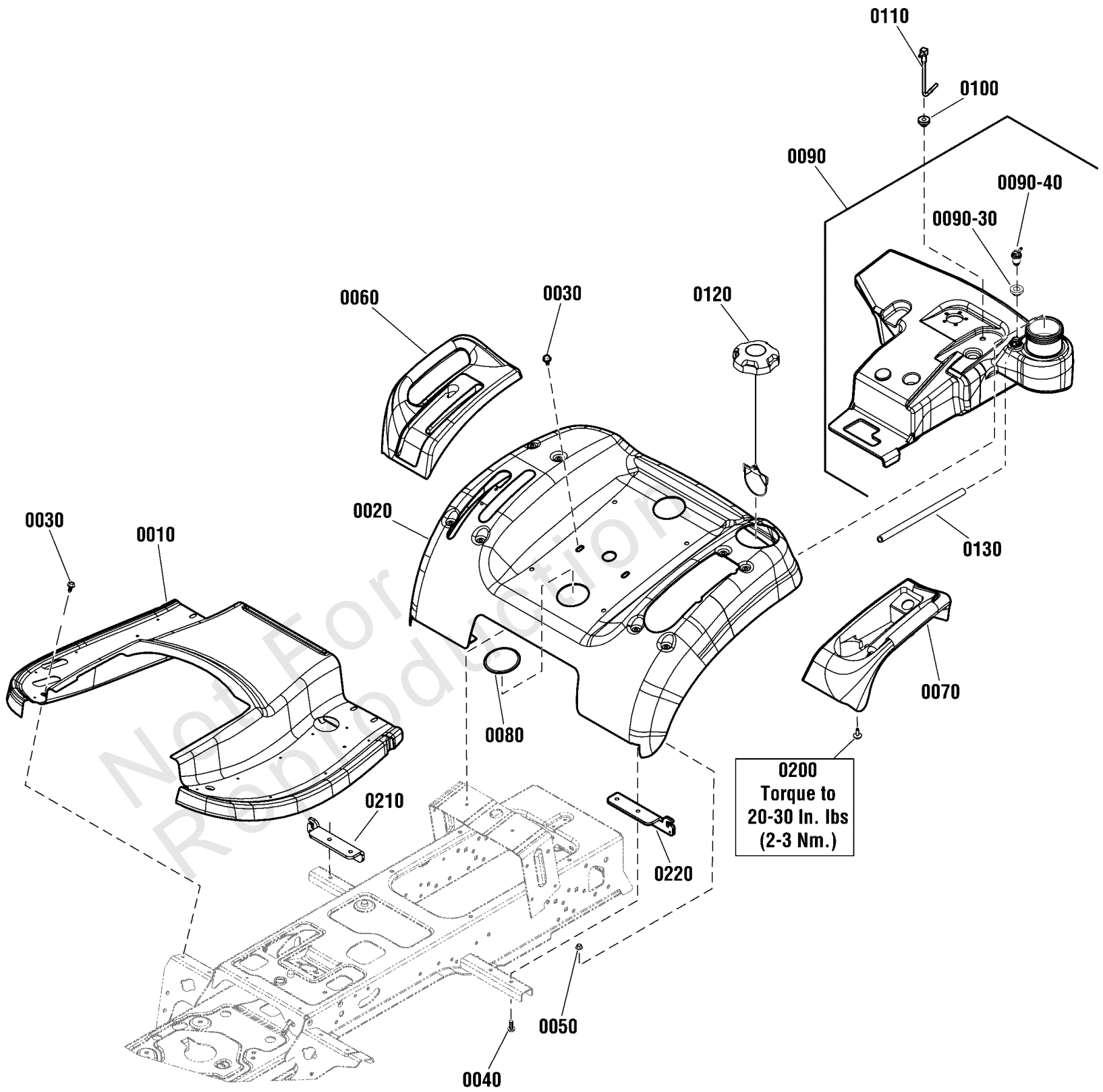
Note:\*\* Spring Rate 160lbs / 59.7kg +/- 10lbs / 3.7kg

Note:\* Spring Rate 125lbs / 46.7kg +/- 10lbs / 3.7kg

# Seat Deck Group

Note: Unless noted otherwise, use the standard torque specifications

Mfg. No: 2691676-00





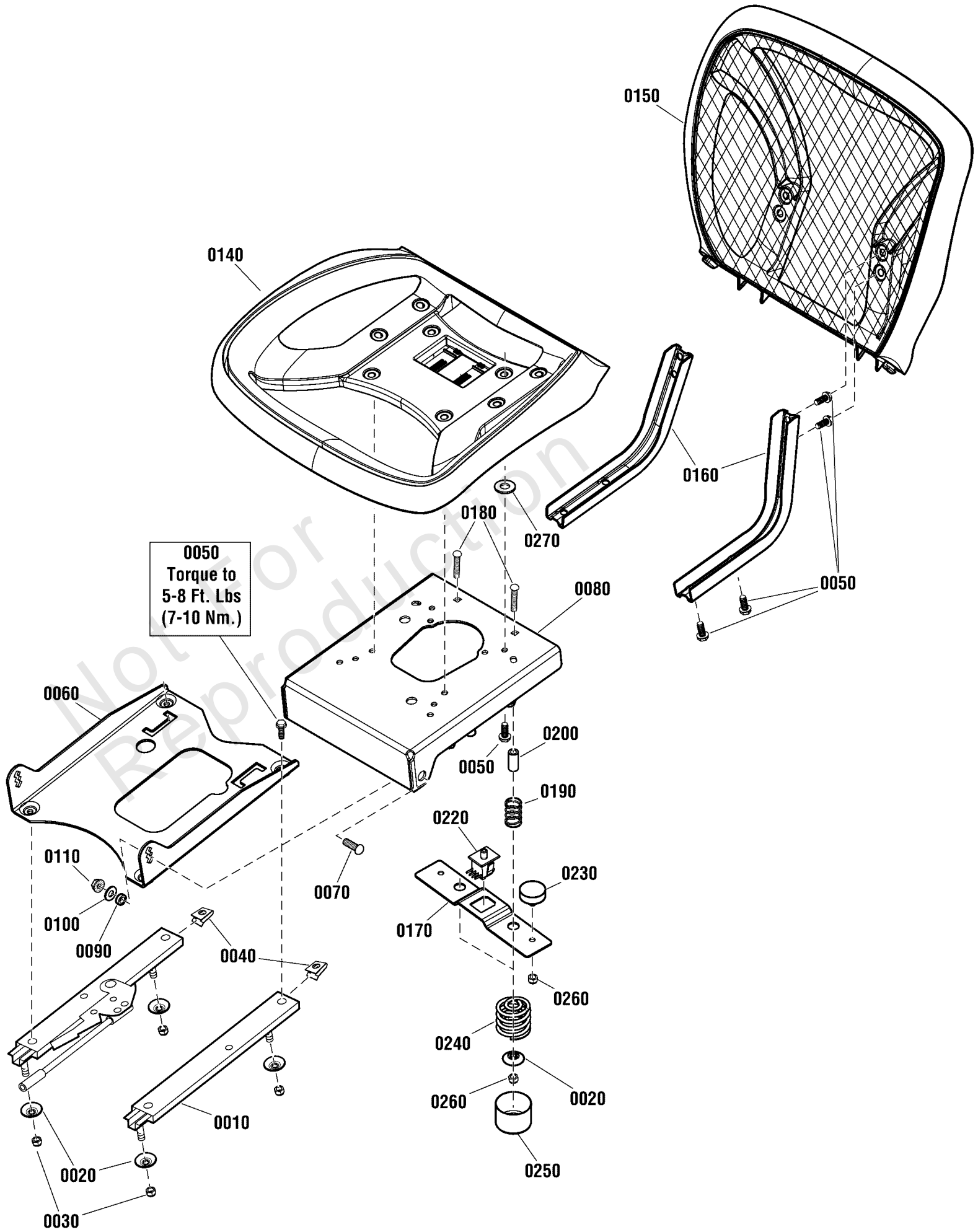
## Seat Deck Group

REF NO	PART NO	QTY	DESCRIPTION
0010	1722105CSM	1	TUNNEL
0020	1722106CSM	1	DECK, Seat
0030	703949	4	SCREW, 5/16-18.625
0040	1930595SM	4	SCREW, Hex Flange, Whiz Lock, 5/16-18 x 1 1/4
0050	1931277SM	4	NUT, Hex Flange, Whiz Lock, 5/16-18
0060	1722108SM	1	POD, RH
0070	1729711SM	1	POD, With Cup Holder, LH
0080	1722309SM	1	PLUG, Hole
0090	1751622YP	1	TANK, Fuel
0090-30	799624	1	GROMMET
0090-40	7104638YP	1	REMOTE VENT ASSY, No Valve
0100	1654930SM	1	BUSHING, Fuel Tank
0110	1757609YP	1	TUBE, FUEL PICKUP
0120	1759036YP	1	FUEL CAP
0130	708734	1	HOSE, Vapor
0200	2860664SM	8	SCREW, HEX SEMS WSHR,
0210	1727102ASM	1	HANGER, RH
0220	1727103ASM	1	HANGER, LH

# Seat Group

Note: Unless noted otherwise, use the standard torque specifications

Mfg. No: 2691676-00



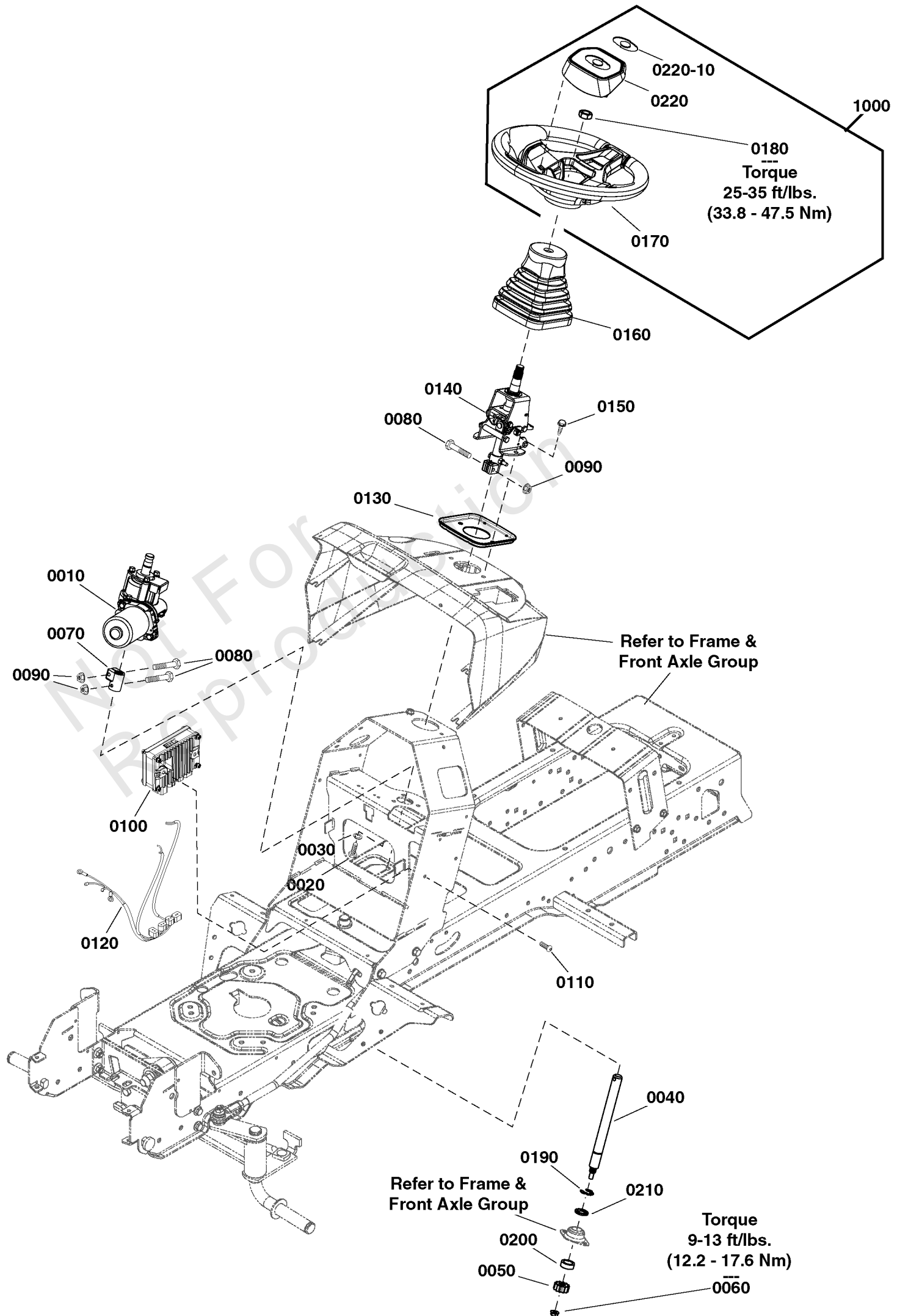
## Seat Group

REF NO	PART NO	QTY	DESCRIPTION
0010	1722356SM	1	SLIDE, Seat
0020	1709256SM	6	WASHER, Spring, 5/16 x 1 1/4
0030	1919438SM	4	NUT, Hex Lock, ESNA Light, 5/8-18
0040	1935255SM	4	NUT, SPEED, 5/16-18 L
0050	1930591SM	16	SCREW, Hex Flange, Whiz Lock, 5/16-18 x 3/4
0060	1722128ASM	1	SUPPORT, Seat
0070	1931350SM	2	BOLT, RD HD SH SQ NK
0080	1755623AYP	1	BRACKET, Seat Support
0090	1663752SM	2	SPACER, 25/64 x 5/8 x 3/16
0100	1924940SM	2	WASHER, 3/8
0110	1930645SM	2	NUT, Hex Flange, Two Way Lock, 3/8-16
0140	1738013YP	1	SEAT, Mesh, Bottom
0150	1738014YP	1	SEAT, Mesh, Back
0160	1737848AYP	2	SUPPORT, Mesh Seat
0170	1756190AYP	1	BRACKET, Switch, Seat
0180	1931339SM	2	BOLT, Carriage, Short Neck, 5/16-18 x 2 GR5
0190	1756196YP	2	SPRING, Compression
0200	5041931SM	2	SPACER, .38 X .50 X 1
0220	5101280YP	1	SWITCH, LOW PROF, NC/
0230	1726390SM	2	BUMPER, Rubber
0240	1704728SM	2	SPRING, Compression, 2"
0250	1704724SM	2	COVER, Spring
0260	1960686SM	2	NUT, Hex Flange, 5/16-18
0270	703591	4	WASHER, .406X1.5X.12

# Steering Group - Power Steering with Tilt

Note: Unless noted otherwise, use the standard torque specifications

Mfg. No: 2691676-00



## Steering Group - Power Steering with Tilt

REF NO	PART NO	QTY	DESCRIPTION
0010	84003790	1	POWER STEERING ASSEMBLY
0020	84004772	3	CAPSCREW, Hex Head, M8-1.25 x 18mm
0030	703116	3	LCKWSHR
0040	84003779	1	SHAFT
0050	1761013YP	1	GEAR, Pinion
0060	703115	1	NUT
0070	84003758	1	COUPLING
0080	703234	3	CAPSCREW, 1/4-20X1.5
0090	703463	3	NUT, GR5,1/4-20
0100	84003760	1	CONTROLLER
0110	84004773	2	CAPSCREW, Button Head
0120	84003766	1	HARNESS
0130	84003729	1	PLATE, Steering Mount
0140	84004824	1	STEERING, Tilt
0150	704146	2	SCREW, HEX, 5/16-18X1
0160	1754814YP	1	BELLOWS
0170	-----	1	STEERING WHEEL -( Refer to Note: * )
0180	1960576SM	1	NUT, Hex Lock, ESNA Light, 5/8-18
0190	1611710SM	1	RING, Klipring, For 3/4 Dia. Shaft
0200	1722461SM	1	SPACER, 3/4 x 1-1/16 x 3/8, Powder Metal
0210	706388	1	SPACER, .766 x 1.06 x 1/8
0220	84003162	1	CAP, Steering Wheel, Simplicity
0220-10	1755843YP	1	DECAL, Logo, Steering Wheel
1000	84001122		KIT, Steering Wheel, Simplicity -( Incl. Ref. Nos. 0170, 0180, 0220 & 0220-10 )

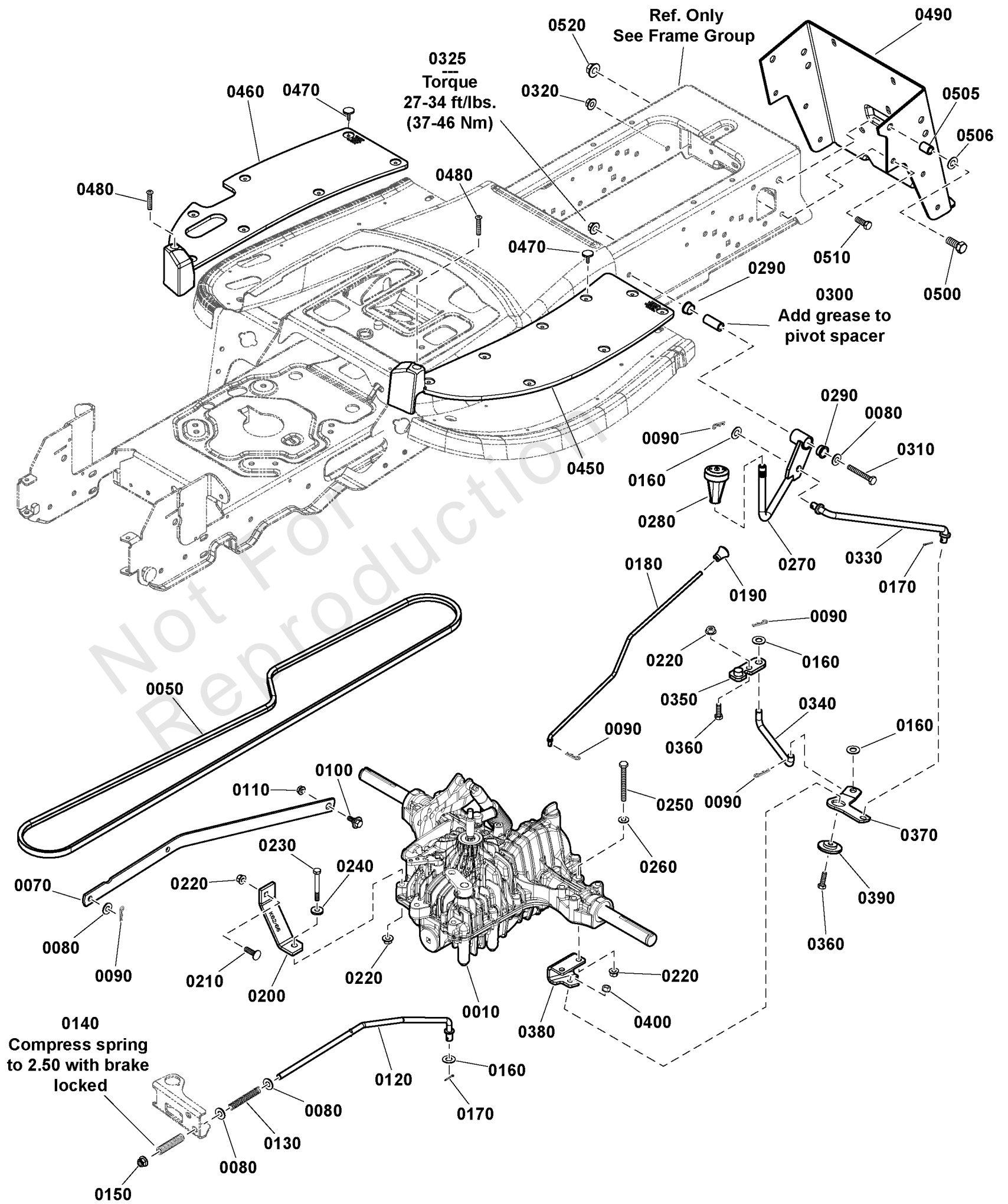
### Footnotes:

Note:\* Not a serviceable part.

# Transmission Group - Tuff Torq K66AS

Note: Unless noted otherwise, use the standard torque specifications

Mfg. No: 2691676-00



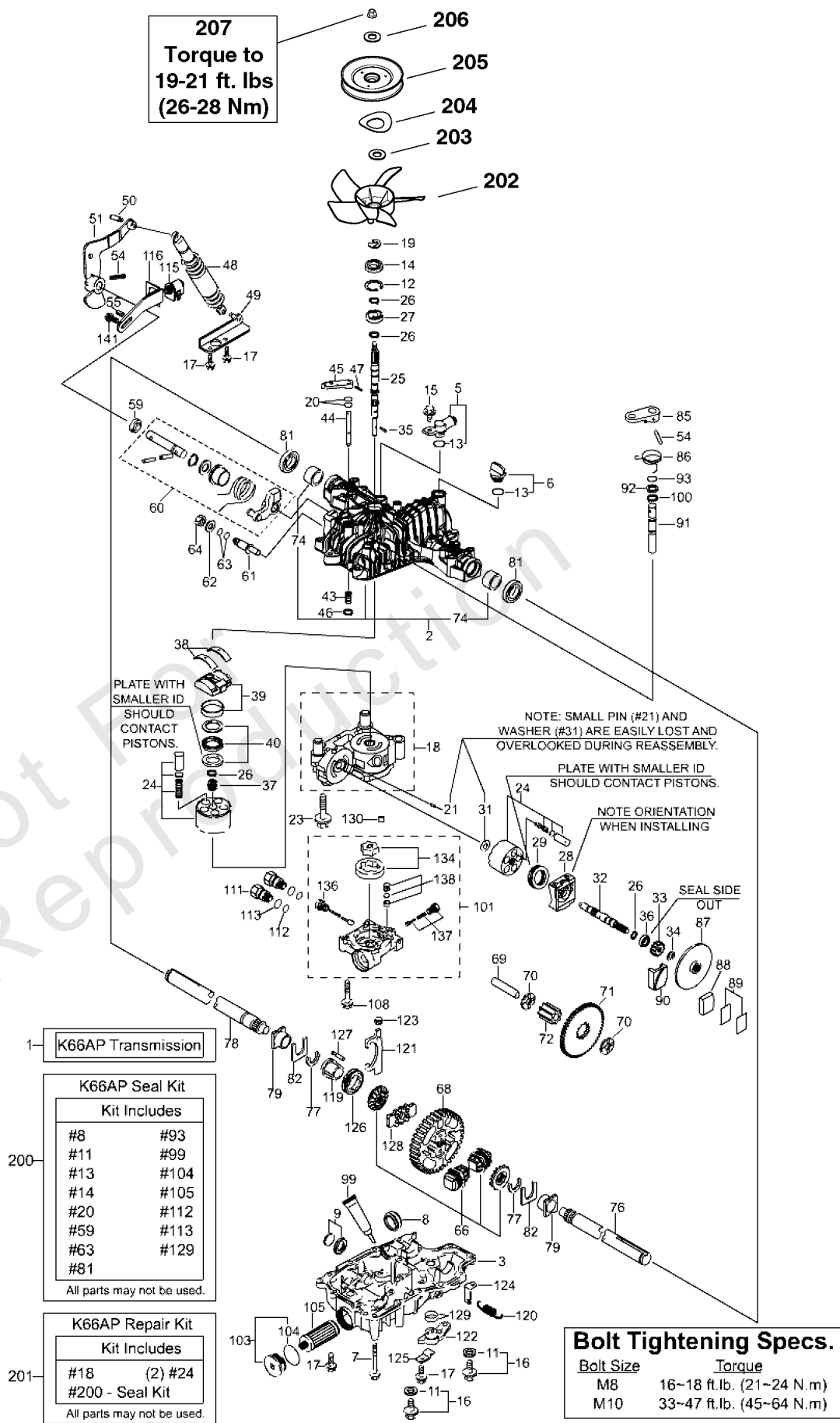
## Transmission Group - Tuff Torq K66AS

REF NO	PART NO	QTY	DESCRIPTION
0010	84003711	1	TRANSMISSION, Tuff Torq, K66AS
0050	1721392SM	1	V-BELT, 94.05
0070	1754368AYP	1	ARM, Transmission Control
0080	703878	5	WASHER, FLAT
0090	1722460SM	5	HAIRPIN
0100	1732426SM	1	BOLT-SHLDR 5/16-18 0.
0110	704067	1	NUT, HEX FLNG,5/16-18
0120	84003888	1	ROD, BRAKE
0130	1722684SM	1	SPRING, Compression, 3-1/4" Long
0140	1729277SM	1	SPRING, Compression, 3-5/8" Long
0150	1960687SM	1	NUT, Hex Flange, ESNA, 3/8-16
0160	1918267SM	4	WASHER, 15/32 x 15/16, Black
0170	331613MA	2	PIN, Cotter
0180	84003891	1	ROD
0190	1723126SM	1	KNOB, 3 Sided Soft
0200	1754643AYP	1	STRAP, Torque
0210	703800	1	BOLT, CRRG, 5/16-18X1
0220	1960686SM	7	NUT, Flange, Nylock, 5/16-18
0230	703868	1	SCREW
0240	1960141SM	1	WASHER, 5/16
0250	703870	4	CAPSCREW,5/16-18X3
0260	1919326SM	4	WASHER, 5/16
0270	1721360AYP	1	PEDAL ASSEMBLY
0280	1716289SM	1	KNOB, Hole, 1/2 x 1-3/4, 2-11/16
0290	1676148SM	2	BUSHING-0.628IDX -(Used on 2013 & prior models)
0300	1756612YP	1	BUSHING, DIFF. LOCK -(Used on 2014 & newer models)
0310	703589	1	CAPSCREW, 3/8-16X2
0320	703793	2	LOCKNUT
0325	703158	1	NUT, Hex Flange, 3/8-16
0330	1755453YP	1	ROD, Diff Lock
0340	1755454YP	1	ROD, Differential Lock
0350	1722383SM	1	ARM, Differential Lock
0360	703570	2	CAPSCREW, Hex Head, 5/16-18 x 1 1/4
0370	1756597AYP	1	PIVOT, Differential Lock
0380	1755456AYP	1	BRACKET, Differential Lock
0390	1727935SM	1	SPACER-PIVOT 0.330ID
0400	1960636SM	1	NUT, Hex KEPS, 5/16-18
0450	1755643YP	1	PAD, Footrest, LH
0460	1755642YP	1	PAD, Footrest, RH
0470	1704351SM	15	FASTENER, Panel
0480	1960676SM	2	SCREW, Pan Head Torx Taptite, 1/4-20 x 1-1/4, Black
0490	1755742AYP	1	PLATE, BACK, HITCH
0500	5025017X16YP	2	BOLT, 1/2-13 X 2 GD5
0505	703450	2	SPACER
0506	1926192SM	2	WASHER-0.500(0.56IDX1
0510	703407	2	SCREW
0520	703918	2	NUT, HEX FLNG, 1/2-13

# Transmission SERVICE PARTS - Tuff Torq K66AS (80082721)

Note: Unless noted otherwise, use the standard torque specifications

Mfg. No: 2691676-00





## Transmission SERVICE PARTS - Tuff Torq K66AS (80082721)

REF NO	PART NO	QTY	DESCRIPTION
1	84003711		TRANSMISSION, Tuff Torq, K66AS
2	-----		* UPPER CASE KIT
3	-----		* LOWER CASE
5	-----		* FITTING KIT
6	-----		* CAP KIT
7	-----		* CAPSCREW, M8 x 75
8	1720761SM		FILTER
9	1718065SM		MAGNET CMP
11	1720796SM		WASHER SEAL 10
12	1708650SM		SNAP RING C 35
13	1707786SM		O-RING P18
14	7073794YP		SEAL TC 153507
15	-----		* BOLT, Flange, M8 x 20
16	-----		* DRAIN BOLT KIT
17	1707789SM		TAPPING SCREW 8 x 30
18	-----		* CENTER CASE AB
19	1718076SM		E-RING
20	1708691SM		O-RING, 1A P10A
21	1718070SM		PIN 3 x 9.8
23	-----		* BOLT, M10 x 65
24	-----		* CYLINDER BLOCK KIT
25	1724699SM		PUMP SHAFT
26	1708672SM		SNAP RING S15
27	1708673SM		BEARING 6202C3
28	1724700SM		MOTOR HOUSING
29	1708675SM		THRUST BEARING
31	1718084SM		WASHER 12 x 24 x 1
32	-----		* MOTOR SHAFT/GEAR (9T)
33	1724752SM		MOTOR GEAR
34	1724751SM		E-RING
35	1722223SM		PIN 3 x 13.8
36	1724702SM		BEARING 6302DUC3
37	1708669SM		PUMP SPRING
38	1708677SM		THRUST METAL
39	1724703SM		SWASH PLATE ASSEMBLY
40	-----		* THRUST BEARING KIT
43	1725730SM		SPRING 25
44	1720838SM		BYPASS SHAFT
45	1720418SM		BYPASS LEVER
46	-----		* RING, 10
47	1707839SM		SPRING PIN 3.0A x 20
48	-----		* SHOCK ABSORBER
49	1724704SM		SHOCK STAY
50	1724705SM		PIN
51	-----		* CONTROL LEVER
54	1718100SM		ROLL PIN 6 x 40
55	-----		* PIN 8 x 16
59	1718120SM		SEAL TC 162606

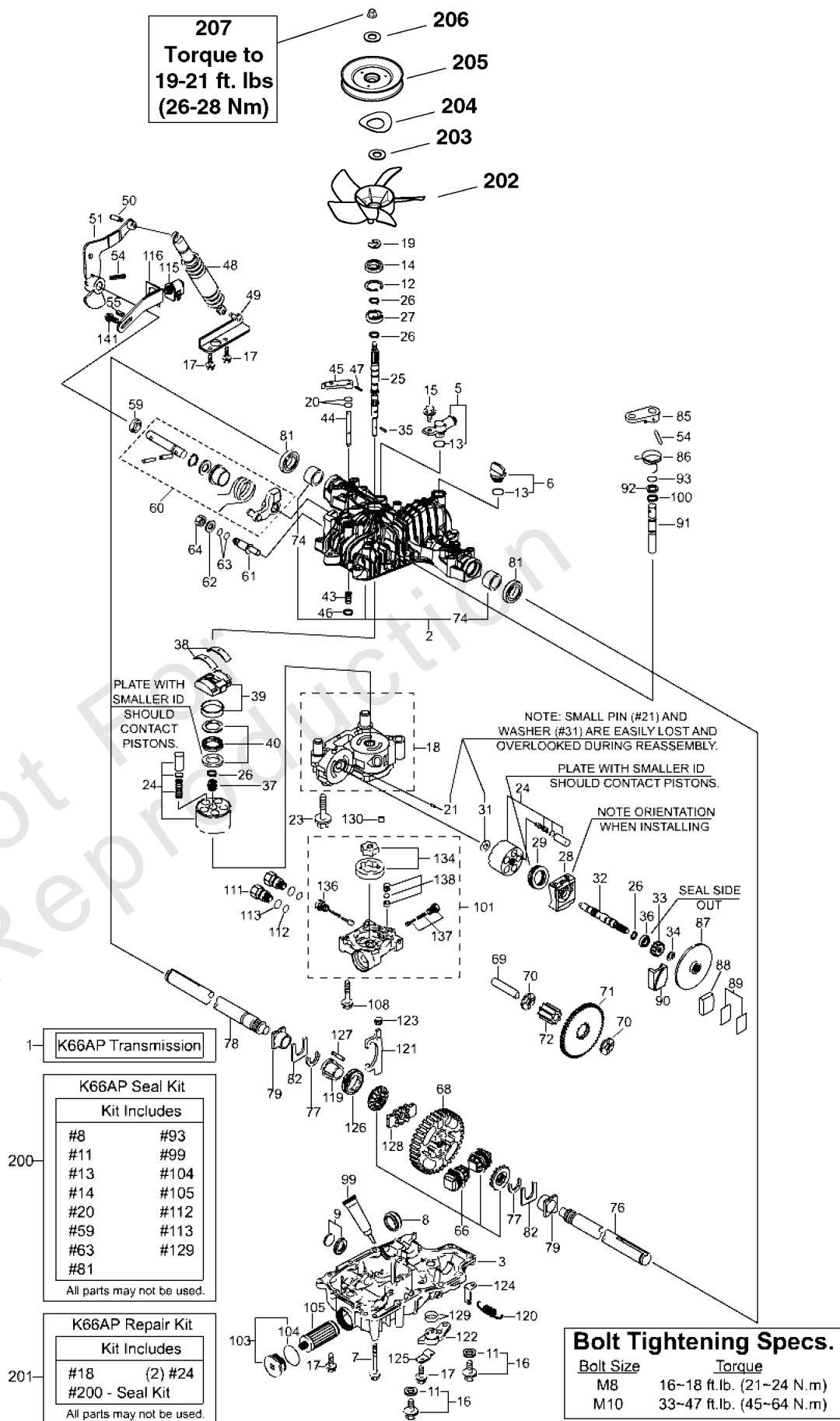
### Footnotes:

Note:\* See your local authorized dealership for parts and warranty or contact Tuff Torq at [www.tufftorqservices.com](http://www.tufftorqservices.com) (U.S. 1-866-572-3441 Int'l 01-423-585-1977)

# Transmission SERVICE PARTS - Tuff Torq K66AS (80082721)

Note: Unless noted otherwise, use the standard torque specifications

Mfg. No: 2691676-00



## Transmission SERVICE PARTS - Tuff Torq K66AS (80082721)

REF NO	PART NO	QTY	DESCRIPTION
60	-----		* CONTROL SHAFT KIT
61	1724344SM		FULCRUM
62	1708689SM		WASHER 12
63	1707879SM		O-RING 1A P14
64	1708692SM		NUT 12
66	-----		* DIFFERENTIAL GEAR KIT
68	-----		* FINAL GEAR
69	1724714SM		FINAL PINION SHAFT
70	1724715SM		WASHER 15 x 35 x 3.2
71	1724753SM		REDUCTION GEAR (53T)
72	1724717SM		FINAL PINION Gear (11T)
74	1724693SM		BUSHING 25.4
76	1724718SM		AXLE SHAFT, LEFT
77	1720859SM		RETAINING RING 23
78	1724719SM		AXLE SHAFT, RIGHT
79	1720860SM		BUSHING 25.4
81	1718264SM		SEAL S 25.4 x 42 x 8
82	1720858SM		THRUST WASHER
85	-----		* BRAKE LEVER
86	-----		* BRAKE RETURN SPRING
87	1724723SM		BRAKE DISC
88	1724724SM		BRAKE SHOE
89	1724725SM		SHIM KIT
90	1724726SM		BRAKE ACTUATOR
91	1724727SM		BRAKE SHAFT
92	1724728SM		WASHER 16 x 23 x 1.6
93	1708690SM		O-RING 1A P12
99	-----		* SEALANT
100	1707912SM		SNAP RING
101	-----		* PUMP CASE KIT (K664C & E)
103	-----		* CAP KIT
104	-----		* O-RING 1A 24040
105	1736211SM		FILTER
108	-----		* BOLT, Flange, M8 x 45
111	1720829SM		CONNECTOR
112	1720831SM		O-RING 6.1
113	1723773SM		O-RING
115	-----		* SWITCH 6440-11 DELTA
116	-----		* SWITCH PLATE
119	-----		* COLLAR 25.4
120	1724741SM		DIFFERENTIAL RETURN SPRING
121	1724733SM		DIFFERENTIAL LOCK FORK
122	1724732SM		DIFFERENTIAL LOCK LEVER
123	-----		* LEVER PIVOT
124	1724734SM		SPRING HOOK
125	1724735SM		LEVER CLIP
126	1724736SM		DIFFERENTIAL LOCK SLIDER
127	-----		* DIFF LOCK PIN

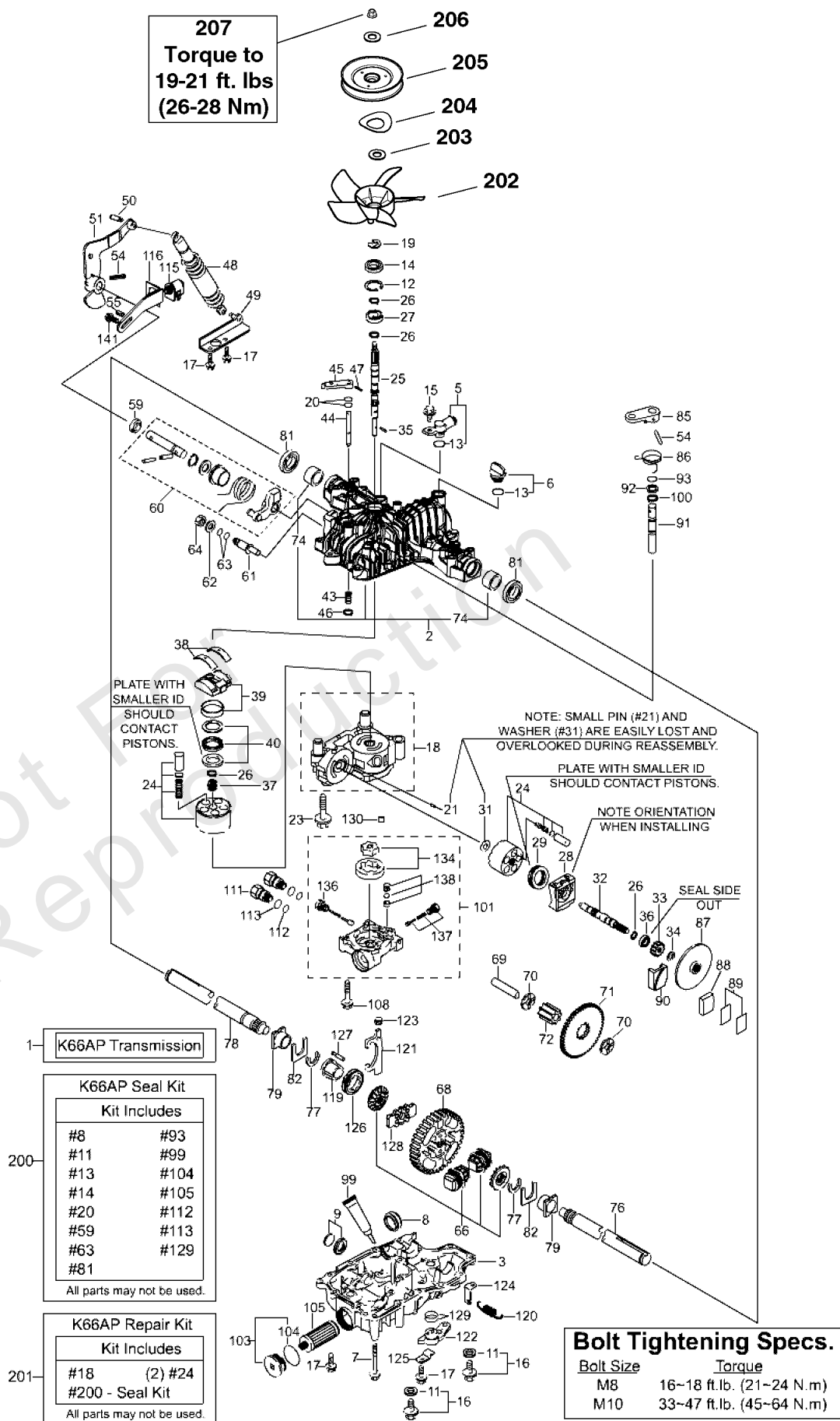
### Footnotes:

Note:\* See your local authorized dealership for parts and warranty or contact Tuff Torq at [www.tufftorqservices.com](http://www.tufftorqservices.com) (U.S. 1-866-572-3441 Int'l 01-423-585-1977)

# Transmission SERVICE PARTS - Tuff Torq K66AS (80082721)

Note: Unless noted otherwise, use the standard torque specifications

Mfg. No: 2691676-00



## Transmission SERVICE PARTS - Tuff Torq K66AS (80082721)

REF NO	PART NO	QTY	DESCRIPTION
128	-----		* DIFF LOCK PLATE
129	1724739SM		O-RING 1A G25
130	-----		* ALIGNMENT SLEEVE 11 x 7
134	-----		* ROTOR SET
136	1720828SM		CHARGE RELIEF VALVE
137	1720826SM		IMPLEMENT RELIEF VALVE
138	1720824SM		3RD CHECK VALVE
141	1707890SM		TAPPING SCREW 8 x 20
200	-----		* KIT, Seal
201	-----		* REPAIR KIT
202	84003870		FAN
203	84003871		WASHER, Flat
204	1761520YP		WASHER, Wave, 0.65" ID
205	1732918SM		PULLEY D
206	704128		WASHER
207	1719968SM		NUT, Hex Flange, M10-1.5, Nylon Insert

Not For  
Reproduction

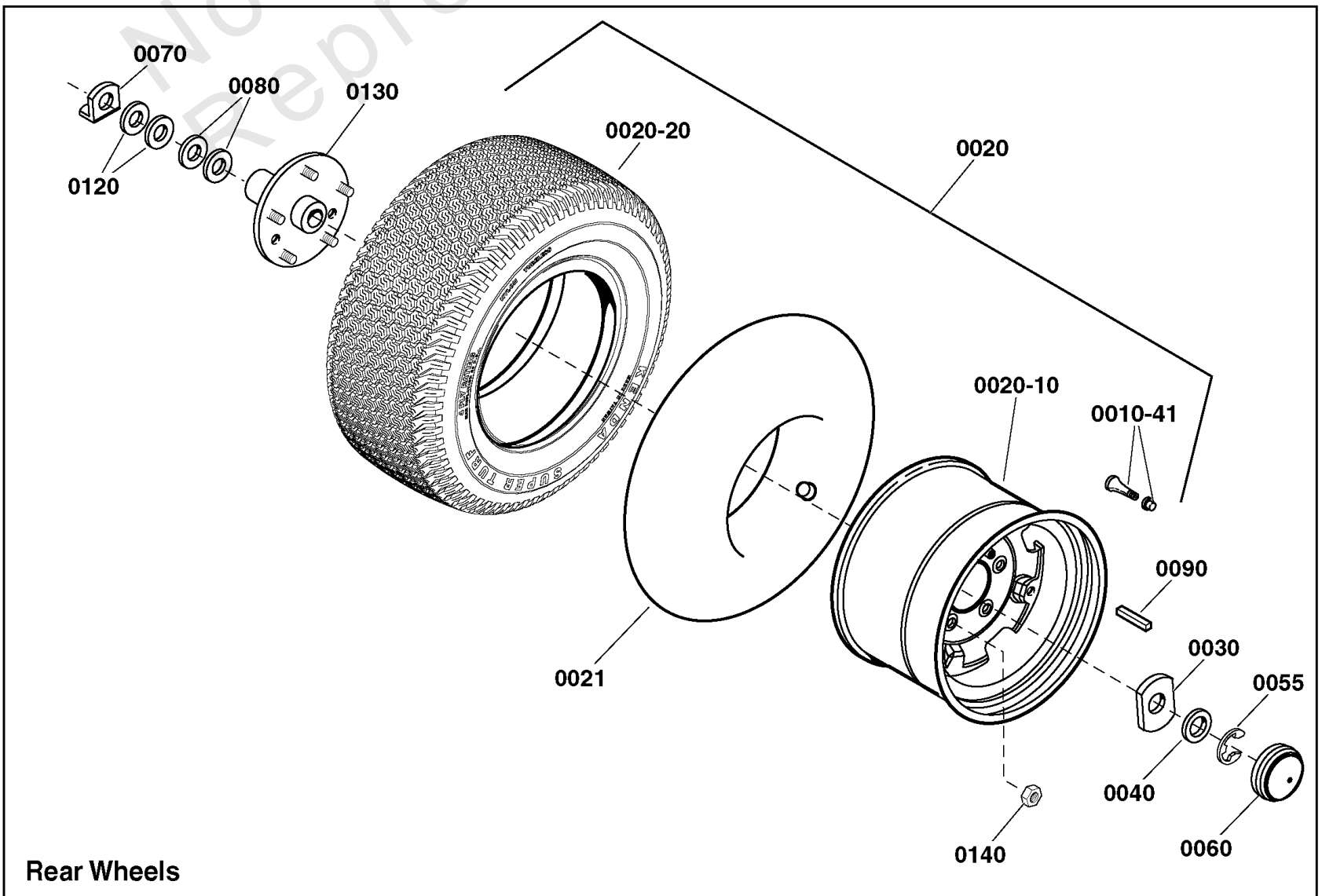
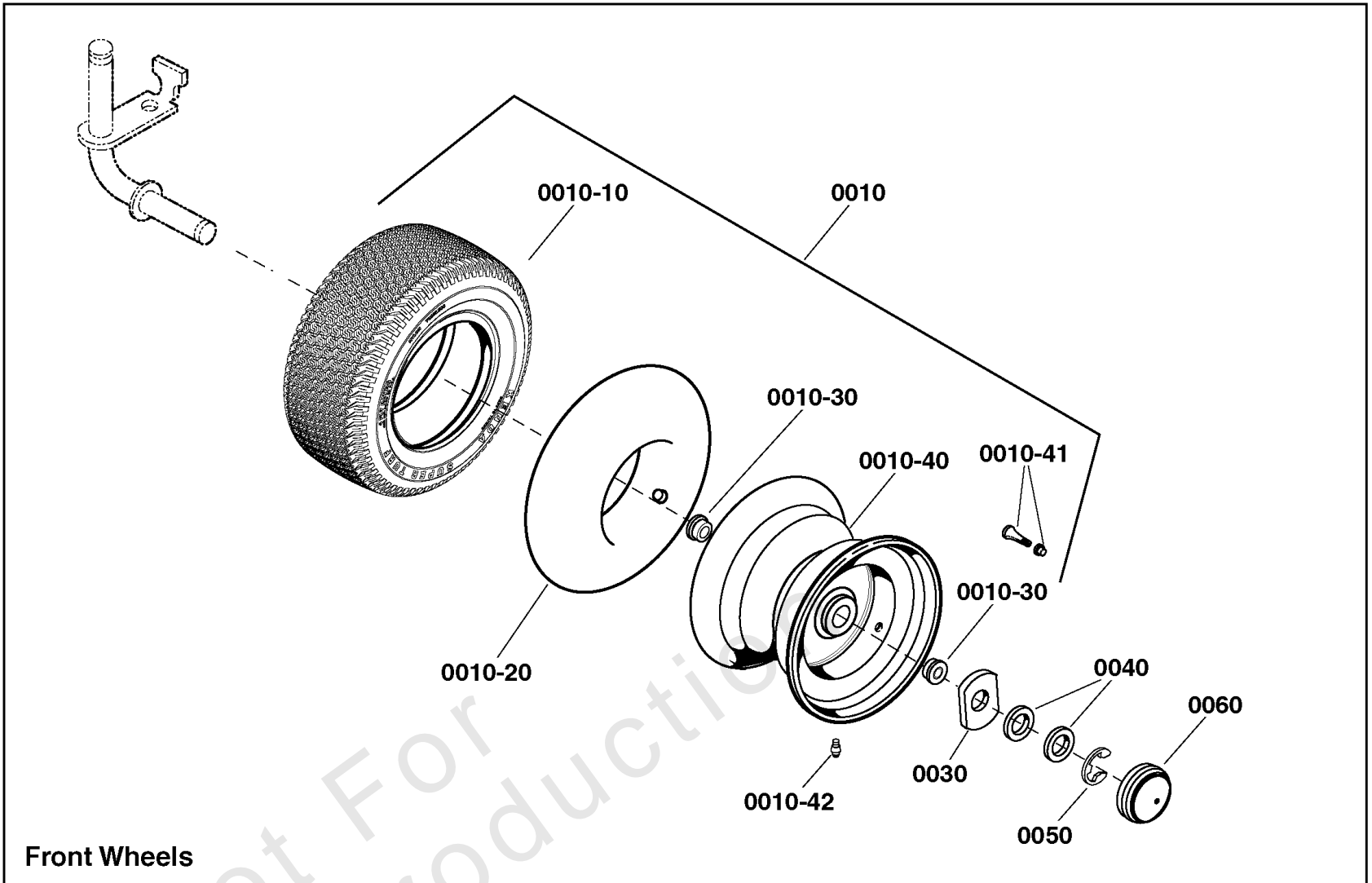
### Footnotes:

Note:\* See your local authorized dealership for parts and warranty or contact Tuff Torq at [www.tufftorqservices.com](http://www.tufftorqservices.com) (U.S. 1-866-572-3441 Int'l 01-423-585-1977)

# Wheels & Tires Group

Note: Unless noted otherwise, use the standard torque specifications

Mfg. No: 2691676-00



## Wheels & Tires Group

REF NO	PART NO	QTY	DESCRIPTION
0010	1722305SM	2	WHEEL & TIRE ASSEMBLY, Front, 16 x 6-1/2 -(Includes Ref. Nos. 0010-10, 0010-20, 0010-30, 0010-40, 0010-41 & 0010-42)
0010-10	1722833SM	2	TIRE, 16 x 6-1/2 - 8 Super Turf, Front
0010-20	2164247SM	2	TUBE, Tire 16 x 6-1/2 - 8, Front
0010-30	1717056SM	2	BEARING, Ball
0010-40	-----	1	RIM, Wheel, Front -(Not a serviceable part)
0010-41	2172353SM	2	VALVE STEM & CAP
0010-42	2812808SM	2	GREASE FITTING
0020	1755499YP	2	WHEEL & TIRE ASSEMBLY, Rear, 23 x 10.50-12 -(Includes Ref. Nos. 0020-10, 0020-20 & 0010-41)
0020-10	-----	1	RIM, Wheel, Rear -(Not a serviceable part)
0020-20	1722830SM	2	TIRE-23 X 10.50-
0021	2173477SM	2	TUBE, Tire, Rear
0030	1722726SM	4	WASHER, Hub Cap
0040	703149	6	WSHR
0050	2834712SM	2	E-RING
0055	2834712SM	2	RING, "E" External, (Units with K62)
0060	1722676SM	4	HUB CAP
0070	1737043AYP	2	WASHER, Bracket, Axle Seal
0080	2860200SM	1	WASHER, 1
0090	2105337SM	2	KEY, Hi-Pro, 1/4 x 2
0120	1960701SM	4	WASHER, 1
0130	1755832YP	2	WHEEL HUB ASSEMBLY
0140	2177725SM	10	NUT, Hex, 7/16-20

# Hardware Identification & Torque Specifications

Torque Specification Chart								
FOR STANDARD METRIC MACHINE HARDWARE (Tolerance ± 20%)								
Property Class	5.6		8.8		10.9		12.9	
	Class 5.6		Class 8.8		Class 10.9		Class 12.9	
Size Of Hardware	in/lbs	Nm.	in/lbs	Nm.	in/lbs	Nm.	in/lbs	Nm.
	ft/lbs		ft/lbs		ft/lbs		ft/lbs	
M3	5.88	.56	13.44	1.28	19.2	1.80	22.92	2.15
M4	13.44	1.28	30.72	2.90	43.44	4.10	52.56	4.95
M5	26.4	2.50	60.96	5.75	5.97	8.10	7.15	9.7
M6	44.64	4.3	7.3	9.9	10.3	14	12.1	16.5
M7	5.2	7.1	12.1	16.5	16.9	23	19.9	27
M8	7.7	10.5	17.7	24	25	34	29	40
M10	15	21	35	48	50	67	59	81
M12	26	36	61	83	86.2	117	103	140
M14	42	58	101	132	136	185	162	220
M16	64	88	147	200	210	285	250	340
M18	89	121	202	275	287	390	346	470
M20	126	171	290	390	405	550	486	660
M22	169	230	390	530	559	745	656	890
M24	217	295	497	375	708	960	840	1140
M27	320	435	733	995	1032	1400	1239	1680
M30	435	590	995	1350	1401	1900	1681	2280
M33	590	800	1349	1830	1902	2580	2278	3090
M36	759	1030	1740	2360	2441	3310	2935	3980
M39	988	1340	2249	3050	3163	4290	3798	5150

Torque Specification Chart						
FOR STANDARD MACHINE HARDWARE (Tolerance ± 20%)						
Hardware Grade	No Marks		SAE Grade 5		SAE Grade 8	
	SAE Grade 2		SAE Grade 5		SAE Grade 8	
Size Of Hardware	in/lbs	Nm.	in/lbs	Nm.	in/lbs	Nm.
	ft/lbs		ft/lbs		ft/lbs	
8-32	19	2.1	30	3.4	41	4.6
8-36	20	2.3	31	3.5	43	4.9
10-24	27	3.1	43	4.9	60	6.8
10-32	31	3.5	49	5.5	68	7.7
1/4-20	66	7.6	8	10.9	12	16.3
1/4-28	76	8.6	10	13.6	14	19.0
5/16-18	11	15.0	17	23.1	25	34.0
5/16-24	12	16.3	19	25.8	29	34.0
3/8-16	20	27.2	30	40.8	45	61.2
3/8-24	23	31.3	35	47.6	50	68.0
7/16-14	30	40.8	50	68.0	70	95.2
7/16-20	35	47.6	55	74.8	80	108.8
1/2-13	50	68.0	75	102.0	110	149.6
1/2-20	55	74.8	90	122.4	120	163.2
9/16-12	65	88.4	110	149.6	150	204.0
9/16-18	75	102.0	120	163.2	170	231.2
5/8-11	90	122.4	150	204.0	220	299.2
5/8-18	100	136	180	244.8	240	326.4
3/4-10	160	217.6	260	353.6	386	525.0
3/4-16	180	244.8	300	408.0	420	571.2
7/8-9	140	190.4	400	544.0	600	816.0
7/8-14	155	210.8	440	598.4	660	897.6
1-8	220	299.2	580	788.8	900	1,244.0
1-12	240	326.4	640	870.4	1,000	1,360.0

The guides and ruler furnished below are designed to help you select the appropriate hardware.



Nut, M8

Thread Diameter (mm)

Inside Diameter (in)      Threads per inch

Nut, 1/2-16



Screw, M8- 1.25 x 25

Thread Diameter (mm)      Distance between threads (mm)      Body Length (mm)

Body Diameter      Threads per inch      Body Length (in)

Screw, 1/2- 16 x 2



## Standard Hardware Sizing

When a washer or nut is identified as 1/2" (M8), this is the *Nominal size*, meaning the *inside diameter* is 1/2 inch (8mm metric thread diameter); if a second number is present it represents the *threads per inch* (distance between threads).

When bolt or capscrew is identified as 1/2 - 16 x 2" (M8 - 1.25 x 50), this means the *Nominal size*, or body diameter is 1/2 inch (8mm metric thread diameter), the second number, 16, represents the *threads per inch*, (*distance between threads*). The final number is the body length of the bolt or screw, 2 inches (50mm).

## NOTES

- These torque values are to be used for all hardware excluding: locknuts, self-tapping screws, thread forming screws, sheet metal screws and socket head setscrews.
- Recommended seating torque values for locknuts:
  - for prevailing torque locknuts - use 65% of grade 5 torques.
  - for flange whizlock nuts and screws - use 135% of grade 5 torques.
- Unless otherwise noted on assembly drawings, all torque values must meet this specification.

## Common Hardware Types

Hex Head Capscrew



Washer



Carriage Bolt



Hex Nut

## Wrench & Fastener Size Guide

1/4" Bolt or Nut Wrench—7/16"	5/16" Bolt or Nut Wrench—1/2"	3/8" Bolt or Nut Wrench—9/16"	7/16" Bolt or Nut Wrench (Bolt)—5/8" Wrench (Nut)—11/16"	1/2" Bolt or Nut Wrench—3/4"
M6 Bolt or Nut Wrench—10mm	M8 Bolt or Nut Wrench—13mm	M10 Bolt or Nut Wrench—17mm	M12 Bolt or Nut Wrench—19mm	M14 Bolt or Nut Wrench—22mm



